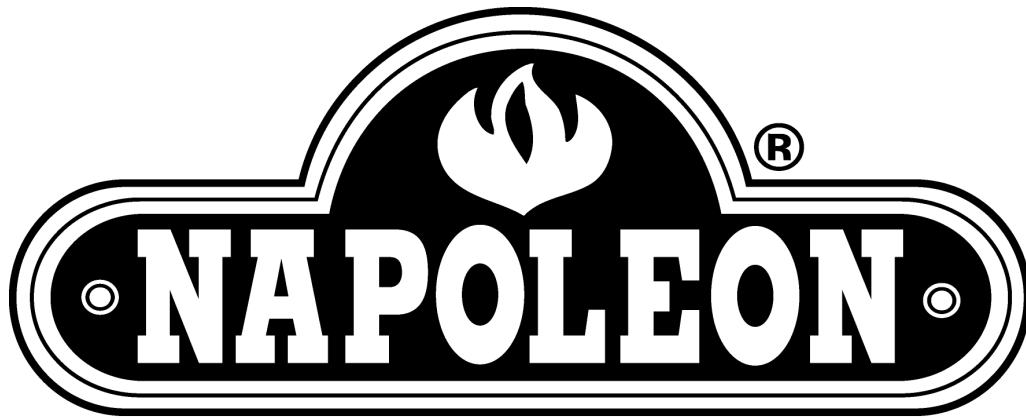
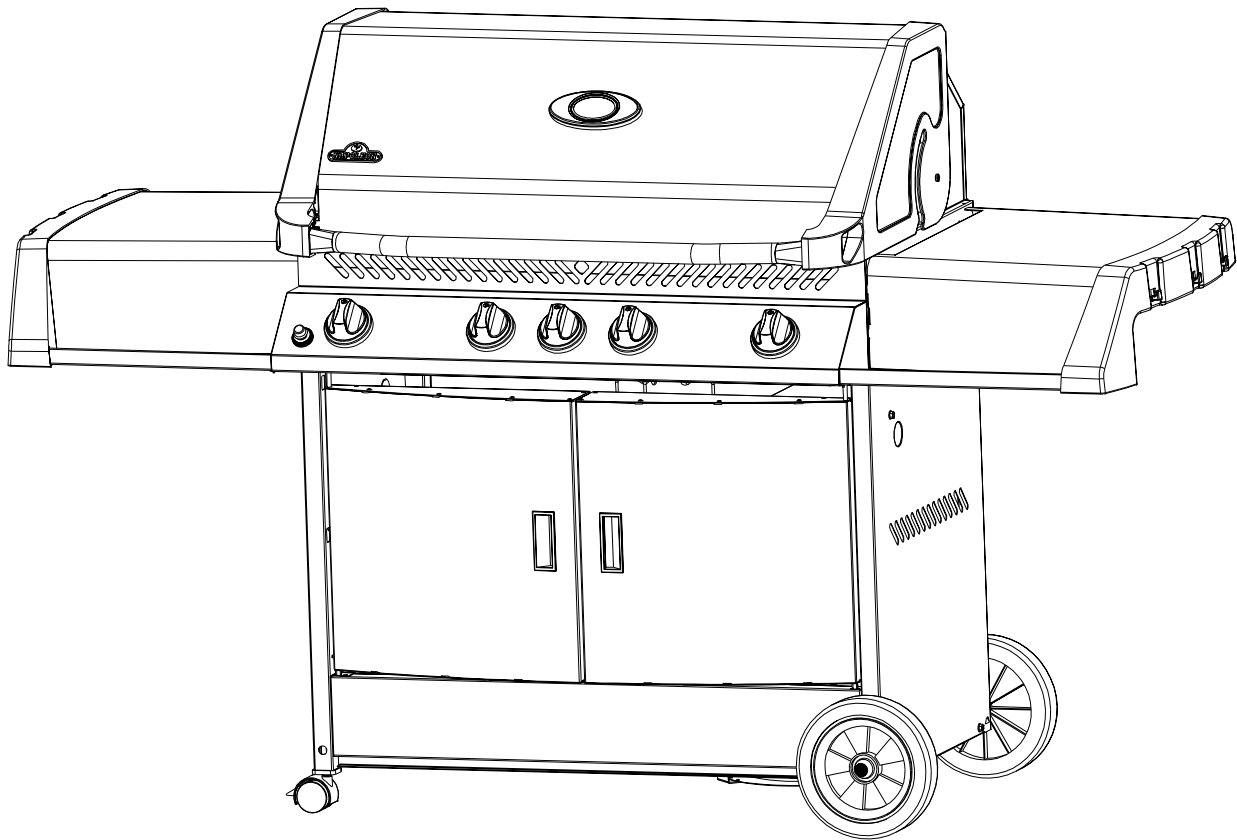


SERIAL / SÉRIE / SERIENR# _____



GOURMET GRILLS

Award Winning Products



PRESTIGE II 600

MANUFACTURED BY / MANUFACTURE PAR / VERVAARDIGD DOOR:
NAPOLEON APPLIANCE CORP.

214 BAYVIEW DR., BARRIE, ONTARIO, CANADA L4N 4Y8 PHONE: (705)726-4278
FAX: (705)725-2564 EMAIL: care@nac.on.ca WEB SITE: www.napoleongrills.com



RETAIN THIS MANUAL FOR FUTURE REFERENCE
GARDER CE LIVRE POUR RÉFÉRENCES FUTURES
BEWAAR DEZE HANDLEIDING VOOR REFERENTIE

N415-0138CE / APR 06/06



NAPOLEON gas grills are manufactured under the strict Standard of the world recognized ISO 9001-2000 Quality Assurance Certificate.

NAPOLEON products are designed with superior components and materials, and are assembled by trained craftsmen who take great pride in their work. The burner and valve assembly are leak tested and test-fired at a quality test station, and thoroughly inspected by a qualified technician before packaging and shipping to ensure that you, the customer, receive the quality product you expect from NAPOLEON.



NAPOLEON GAS GRILL PRESIDENT'S LIMITED LIFETIME WARRANTY

NAPOLEON warrants the following materials and workmanship in your new NAPOLEON gas grill against defects for as long as you own the gas grill. This covers: aluminum castings, stainless steel burners, stainless steel rod cooking grids, stainless steel side shelves, LUXIDIO[®] side shelf endcaps, wheels, knobs, porcelain enamelled lids and stainless steel lids. Subject to the following conditions. During the first ten years NAPOLEON will provide replacement parts at our option free of charge. From the eleventh year to lifetime NAPOLEON will provide replacement parts at 50% of the current retail price.

Components such as regulator, casters, stainless steel warming rack, hoses and connectors, fasteners and accessories are covered and NAPOLEON will provide parts free of charge during the first year of the limited warranty.

Components such as stainless steel sear plates, igniter (excluding batteries), temperature gauge and brass valves are covered and NAPOLEON will provide parts free of charge during the first three years of the limited warranty.

NAPOLEON shall not be liable for any transportation charges, labour costs or export duties.

CONDITIONS AND LIMITATIONS

"NAPOLEON warrants its products against manufacturing defects to the original purchaser only (ie., the individual or legal entity (registered customer) whose name appears on the warranty registration card filed with NAPOLEON), provided that the purchase was made through an authorized NAPOLEON dealer and is subject to the following conditions and limitations:"

This factory warranty is non-transferable and may not be extended what-so-ever by any of our representatives.

The gas grill must be installed by a licenced, authorized service technician or contractor. Installation must be done in accordance with the installation instructions included with the product and all local and national building and fire codes.

This limited warranty does not cover damages caused by misuse, lack of maintenance, grease fires, hostile environments, accident, alterations, abuse or neglect and parts installed from other manufacturers will nullify this warranty.

This limited warranty further does not cover any scratches, dents, painted finishes, corrosion or discolouring by heat, abrasive and chemical cleaners, nor chipping on porcelain enamel parts, nor any components used in the installation of the gas grill.

Should deterioration of parts occur to the degree of non-performance within the duration of the warranted coverage, a replacement part will be provided.

In the first year only, this warranty extends to the replacement of warranted parts which are defective in material or workmanship provided that the product has been operated in accordance with the operation instructions and under normal conditions.

After the first year, with respect to this President's Limited Lifetime Warranty NAPOLEON may, at its discretion, fully discharge all obligations with respect to this warranty by refunding to the original warranted purchaser the wholesale price of any warranted but defective part(s).

NAPOLEON will not be responsible for the installation, labour or any other costs or expenses related to the re-installation of a warranted part, and such expenses are not covered by this warranty.

Notwithstanding any provision contained in this President's Limited Lifetime Warranty NAPOLEON's responsibility under this warranty is defined as above and it shall not in any event extend to any incidental, consequential, or indirect damages.

This warranty defines the obligation and liability of NAPOLEON with respect to the NAPOLEON gas grill and any other warranties expressed or implied with respect to this product, its components or accessories are excluded.

NAPOLEON neither assumes, nor authorizes any third party to assume, on its behalf, any other liabilities with respect to the sale of this product. NAPOLEON will not be responsible for: over firing, blow outs caused by environmental conditions such as strong winds, or inadequate ventilation,

Any damages to the gas grill due to weather damage, hail, rough handling, damaging chemicals or cleaners will not be the responsibility of NAPOLEON.

The bill of sale or copy will be required together with a serial number and a model number when making any warranty claims from NAPOLEON. The warranty registration card must be returned within fourteen days to register the warranty or you can register on-line at www.napoleongrills.com.

NAPOLEON reserves the right to have its representative inspect any product or part prior to honouring any warranty claim.

NAPOLEON shall not be liable for any transportation charges, labour costs, or export duties.

WARNING

Do not try to light this appliance without reading "LIGHTING" instructions section of this manual.

FOR YOUR SAFETY DO NOT STORE OR USE GASOLINE OR OTHER FLAMMABLE VAPOURS AND LIQUIDS IN THE VICINITY OF THIS OR ANY OTHER APPLIANCE. AN L.P. CYLINDER NOT CONNECTED FOR USE MUST NOT BE STORED IN THE VICINITY OF THIS OR ANY OTHER APPLIANCE. IF THE INFORMATION IN THESE INSTRUCTIONS IS NOT FOLLOWED EXACTLY, A FIRE OR EXPLOSION MAY RESULT, CAUSING PROPERTY DAMAGE, PERSONAL INJURY OR DEATH.

DANGER

IF YOU SMELL GAS:

- **Shut off gas to the appliance.**
- **Extinguish any open flame.**
- **Open lid.**
- **Immediately call your gas supplier, or your fire department if odour continues.**

SAFE OPERATING PRACTICES

- This gas grill is not intended to be installed in or on recreational vehicles and/or boats.
- This gas grill must only be used outdoors in a well-ventilated space and must not be used inside a building, garage or any other enclosed area.
- Keep any electrical supply cord and fuel supply hose away from any heated surfaces.
- Inspect the fuel supply hose before each use. If there is evidence of excessive abrasion or wear or the hose is cut, it must be replaced, prior to using the gas grill, with a replacement hose assembly specified by the manufacturer.
- When the gas cylinder is not disconnected from the appliance, the gas grill and cylinder must be stored outdoors in a well ventilated space.
- Do not locate in windy settings. High winds adversely affect the cooking performance of the gas grill.
- Turn off the gas supply at the cylinder after each use.
- Do not move the appliance during use.
- Adults and especially children should be alerted to the hazards of high surface temperatures. Keep young children away.
- Under no circumstances should this gas grill be modified.
- Gas must be turned off at the propane cylinder or at the natural gas supply valve when the gas grill is not in use.
- When the gas grill is to be stored indoors, the connection between the propane cylinder and the gas grill must be disconnected and the cylinder removed and stored outdoors in a well ventilated space out of reach of children. Disconnected cylinders must not be stored in a building, garage or any other enclosed area. Natural gas units must be disconnected from the supply when being stored indoors.
- The top lid is to be closed during the gas grill preheat period
- Do not use the condiment tray to store lighters, matches or other flammable materials.
- This gas grill is designed for outdoor use only.

IMPORTANT DO'S AND DON'TS

DO'S

- Read the entire instruction manual before operating the gas grill.
- Maintain proper clearance to combustibles (410mm (16") to rear of unit, 180mm (7") to sides). Additional clearance is recommended near vinyl siding or large panes of glass.
- Leak test the unit before initial use, annually and whenever any gas components are replaced.
- Follow lighting instructions carefully when operating grill.
- Burner controls must be off when turning supply cylinder valve on.
- Ensure sear plates are positioned properly according to sear plate installation instructions.
- Clean grease tray and sear plates regularly to avoid build-up which may lead to grease fires.
- Remove warming rack before lighting rear burner. (The extreme heat will damage the warming rack.)
- Use protective gloves when handling any hot components.

DON'TS

- Do not use condiment tray to store lighters, matches or any other combustibles.
- Do not locate unit under unprotected combustible construction.
- Do not operate rear burner with main burners operating.
- Do not leave grill unattended when operating.
- Do not light burners with lid closed.
- Do not move grill when hot or operating.
- Do not allow cold water (rain, sprinkler, hose, etc.) to come in contact with heated unit. A large temperature differential can cause chipping in the porcelain.
- Do not manipulate any parts that have been sealed by the manufacturer.
- Do not use the bottom shelf of the unit for spare cylinder storage.

GAS CYLINDER



Use only gas cylinders which meet national and regional codes. Ensure that the cylinder can provide enough fuel to operate the appliance. If in doubt, check with your local gas supplier.

- Always set the cylinder vertically on level ground next to the grill. (UK only)
- Use caution when handling the cylinder valve.
- Never connect a cylinder which does not meet local codes.
- Never store a spare cylinder in close proximity of an operating appliance. Cylinders must not be exposed to extreme heat or direct sunlight.

CYLINDER INSTALLATION: Set cylinder into hole in bottom shelf.

UK ONLY: Place cylinder on level ground next to grill below right side shelf. Do not use bottom shelf to store tank.

IMPORTANT: Ensure that the hose is routed to maintain proper clearance to the underside of the unit.

CYLINDER CONNECTION: Ensure that the gas regulator hose is kink free. Remove the cap or plug from the cylinder fuel valve. Tighten regulator to cylinder valve. *Leak test all joints prior to using the barbecue.* A leak test must be performed annually, and each time a cylinder is hooked up, or if a part of the gas system is replaced.

GAS HOSE

- If the hose and regulator are not included by the manufacturer, then only hoses and regulators which meet national and regional codes are to be used.
- Do not connect the appliance to a permanent gas installation.
- Ensure that the hose does not come into contact with grease, other hot drippings, or any hot surfaces on the appliance.
- Check hose regularly. In the case of rips, melting or wear, replace hose before using the appliance.
- The recommended hose length is 0.5m. The hose must not be longer than 1.5m.
- Ensure that the hose is twist and kink free when installed.
- Replace the hose before expiry date printed on the hose.

LEAK TESTING INSTRUCTIONS



DO NOT USE A FLAME TO LEAK TEST.

LEAK TESTING: This must be done before initial use, annually and whenever any gas components are replaced or serviced. No smoking while performing this test, and remove all sources of ignition. See *Leak Testing Diagram* for areas to check.

1. Turn all burners controls to off. Turn supply valve on.
2. Brush a half and half solution of liquid soap and water onto all joints and connections of the regulator, hose, manifolds and valves.
3. Bubbles will indicate a gas leak. Either tighten the loose joint or replace the part with one recommended by the dealer.
4. If the leak cannot be stopped, shut off the gas supply, disconnect it and have the barbecue inspected by your gas supplier or dealer. Do not use the appliance until the leak has been corrected.
5. Turn off gas supply.

REGULATOR

The following table lists input values for the appliance.

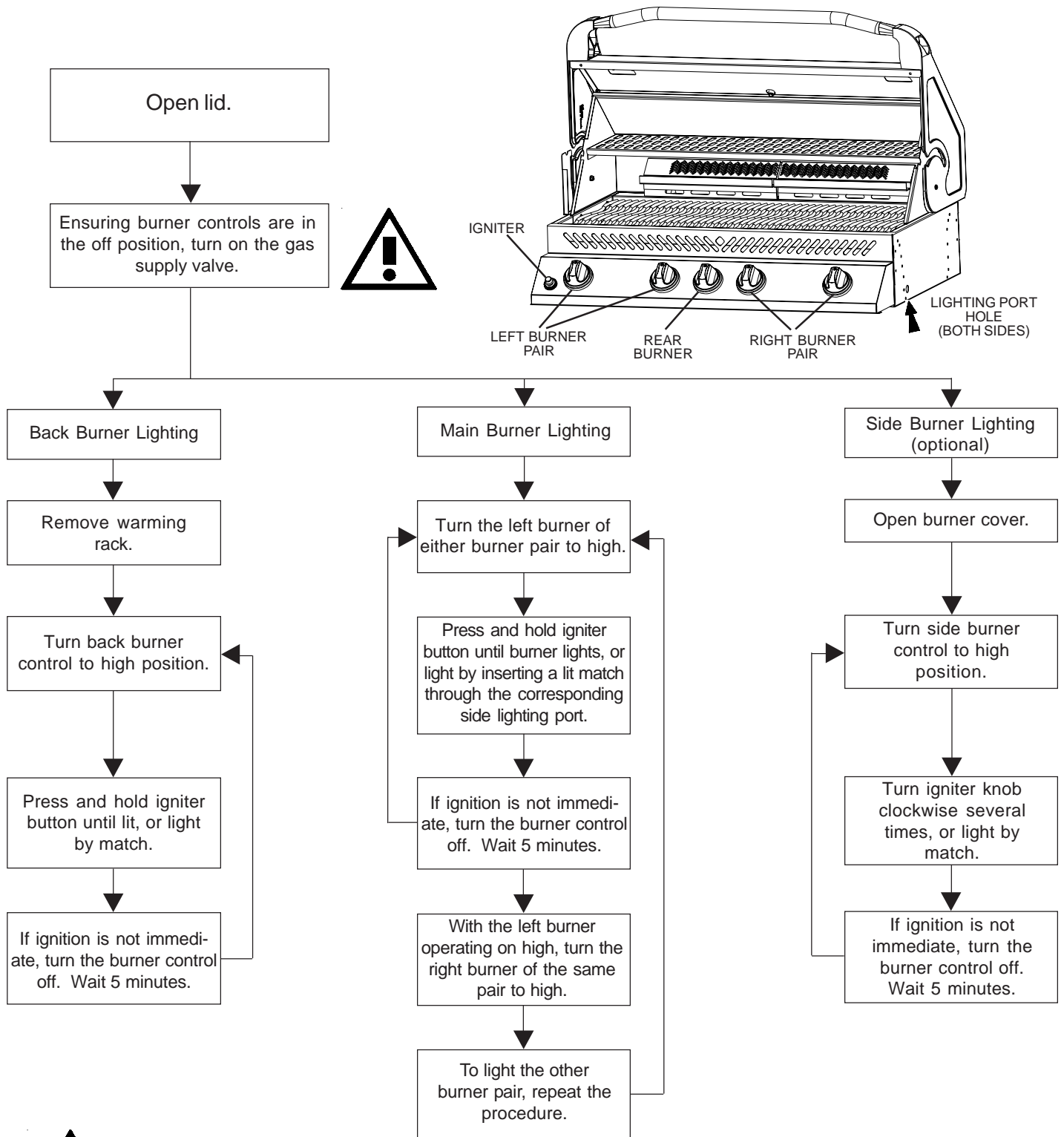
BURNER	ORIFICE SIZE		HEAT INPUT (TOTAL)	GAS USAGE (TOTAL)	
	I	II		PROPANE	BUTANE
MAIN	63	65	16.4 kW	1173 g/h	1192 g/h
BACK	56	59	7.6 kW	543 g/h	553 g/h
SIDE	60	64	4.5 kW	322 g/h	327 g/h

Certified Gases / Pressures - Check rating plate to ensure that it corresponds with following list.

Gas Category	I _{3B/P(30)}	I _{3+(28-30/37)}	I _{3B/P(50)}
Orifice Sizes (see above)	I	I	II
Gases / Pressures	Butane 30mbar Propane 30mbar	Butane 28-30mbar Propane 37mbar	Butane 50mbar Propane 50mbar
Countries	DK, FI, NL, NO, SE	BE, ES, FR, GB, IE, IT, PT	DE, AT

The regulators for both butane and propane must have a rating of at least 1500 g/h. Do not tamper with or modify regulator. Use only regulators which supply the pressure listed in the table above.

LIGHTING INSTRUCTIONS



The propane cylinder is equipped with an excess flow device. Unless all burners are turned off prior to turning the cylinder on, only small flames will be achievable.



Do not use back burner while operating any of the main burners.

COOKING INSTRUCTIONS

When lit for the first time, the gas grill will emit a slight odour. This is a normal temporary condition caused by the "burn-in" of internal paints and lubricants used in the manufacturing process and will not occur again. Simply run the main burners on high for approximately ½ hour.

MAIN BURNER USE: When searing foods, preheating is recommended by operating all main burners in the high position with the lid closed for approximately 10 minutes. Food cooked for a short period of time (fish, vegetables) may be grilled with the lid open. Cooking with the lid closed will ensure higher, more even temperatures that will reduce cooking time and cook meat more evenly. Food that has a cooking time longer than 30 minutes, such as roasts, may be cooked indirectly (with the burner lit opposite to the food placement). When cooking very lean meats, such as chicken breasts, or lean pork, the grids can be oiled before pre-heating to reduce sticking. Cooking meat with a high degree of fat content, may create flare-ups. Either trim some fat or reduce temperatures to prevent this. Should a flare-up occur, move food away from flames, reduce heat. Leave the lid open.

REAR BURNER USE: *Remove the warming rack prior to use.* Cooking grids should also be removed if they interfere with the rotisserie. The rear burner is designed to be used in conjunction with the rotisserie kit available from your dealer. See the rotisserie kit assembly instructions. To use the counterbalance, remove the rotisserie motor from the gas grill. Place the spit with meat being cooked across the hangers inside the grill. The meat will naturally hang with the heavy side down. Tighten the counterbalance arm and weight, so that the arm is facing up. Slide the counterweight in or out to balance the load, and tighten in place. Re-install the motor and begin cooking. Place a dish underneath to collect drippings for basting and naturally delicious gravy. Basting liquid may be added as required. To seal in juices, first operate rear burner on high until brown, then reduce the heat to thoroughly cook foods. Keep the lid closed for best results. Your roasts and fowl will brown perfectly on the outside and stay moist and tender on the inside. For example, a 3 pound chicken on the rotisserie will be done in approximately 1½ hours on medium to high.

SIDE BURNER USE: The side burner can be used like any range top burner, for gravies, soups etc. The gas grill should be located so that the side burner is protected from the wind, because the wind will adversely affect it's performance.

CLEANING INSTRUCTIONS

Ensure that the burners are turned off prior to cleaning. Avoid unprotected contact with hot surfaces. Clean grill in an area where cleaning solutions will not harm decks, lawns or patios. Do not use oven cleaner to clean any part of this gas grill. Do not use a self cleaning oven to clean cooking grids or any other parts of the gas grill. Barbecue sauce and salt can be corrosive and will cause rapid deterioration of the gas grill components unless cleaned regularly.

GRIDS AND WARMING RACK - The grids and warming rack are best cleaned during the pre-heat period with a soft brass wire brush. Steel wool can be used for stubborn stains. Stainless grids will discolour permanently from normal usage, due to the high temperature of the cooking surface.

CLEANING INSIDE THE GAS GRILL - Remove cooking grids. Use a soft brass wire brush to clean loose debris from casting sides and insides of the lid. Scrape sear plates with a putty knife or scraper, and use a wire brush to remove ash. Remove sear plates and brush debris off of burners with a brass wire brush. Brush all debris from inside the gas grill into the removable drip pan. Ensure that the sear plates are placed properly when they are reinstalled (Check assembly instructions for proper orientation).

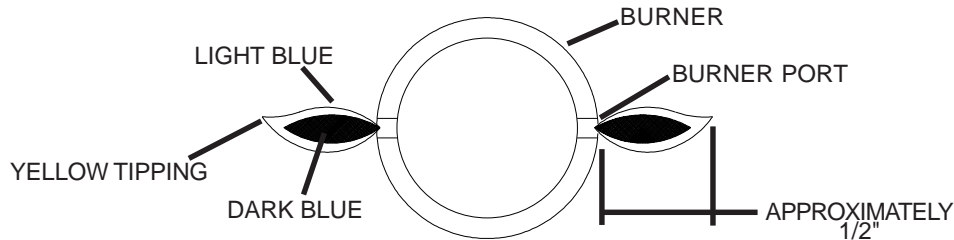
DRIP PAN - Slide the drip pan out for easy cleaning. It should be cleaned frequently (every 4-5 uses) to avoid grease buildup. Grease and excess drippings pass through to the drip pan, located under the gas grill, and accumulate in the disposable grease tray below the drip pan. Accumulated grease can cause a fire hazard. Do not line the drip pan with aluminum foil or sand, as it can prevent the grease from flowing properly. The pan should be scraped out with a putty knife or scraper, and all the debris should be scraped into the disposable grease tray. This tray should be replaced every two to four weeks, depending on gas grill usage. For supplies, see your Napoleon Gas Grill dealer.

CLEANING THE OUTSIDE OF THE GAS GRILL - Do not use abrasive cleaners to clean any painted, porcelain or stainless steel parts. Porcelain enamel components must be handled with additional care. The baked on enamel finish is glass like, and will chip if struck. Touch-up enamel is available from your Napoleon Gas Grill dealer. Exterior grill surfaces should be cleaned while warm to the touch, with warm soapy water. To clean stainless surfaces, use a stainless steel cleaner or a non-abrasive cleaner. Always wipe in the direction of the grain. Do not use steel wool, as it will scratch the finish. Stainless steel parts will discolour when heated, usually to a golden or brown colour. This discolouration is normal and will not affect the performance of the grill.

MAINTENANCE INSTRUCTIONS

Turn off the gas at the source and disconnect unit before servicing. Maintenance should only be done when the grill is cool, to avoid the possibility of burns. A leak test must be performed annually, and whenever any component of the gas train is replaced.

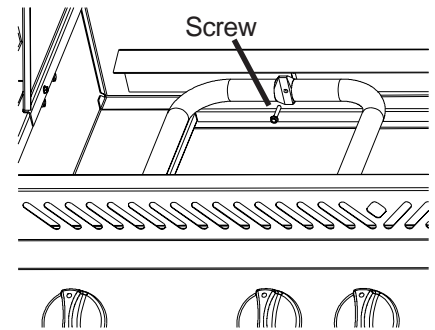
COMBUSTION AIR ADJUSTMENT - (This must be done by a qualified gas installer.) The air shutter is factory set and should not have to be adjusted under normal conditions. However, some extreme field conditions may exist that require adjustment. When the air shutter is adjusted correctly, the flames will be dark blue with light blue tips, and occasional yellow tips.



If the burner is getting too little air, the flames will be lazy yellow, and possibly produce soot. If the burner is getting too much air, the flames will be lifting erratically from the burner and may cause difficulties when lighting.

HOSE - Check for abrasion, melting, cuts and cracks. If any of these conditions exist, do not use gas grill. Have part replaced by your gas grill dealer, or qualified gas installer.

BURNER - The burner is made from heavy wall 304 stainless steel, but due to the extreme heat and corrosive environment, surface corrosion will occur. Use a brass wire brush to remove surface corrosion. Clean any blocked ports using an opened paper clip. Do not enlarge the burner ports. Spiders and insects are attracted to the smell of propane and natural gas. The burner is equipped with an insect screen on the air shutter, which will reduce the likelihood of insects building nests inside the burner, but does not entirely eliminate the problem. The nest or web will cause the burner to burn with a soft yellow or orange flame or cause a fire (flashback) at the air shutter underneath the control panel. To clean the inside of the burner, it must be removed from the gas grill. Remove the screw located in the center of either burner. Lift the back of the burner upwards to remove. Use a flexible venturi tube cleaning brush to clean out the inside of the burner. Shake any loose debris out of the burner, through the gas inlet. Ensure that the insect screen is clean, tight, and free of any lint or other debris. Check also that the valve orifices are clean. Do not enlarge the orifices. Re-install the burner. Check that the valve enters the burner when installing. Replace burner cover and mounting screws to complete installation.



ALUMINUM CASTINGS - Clean castings periodically with warm soapy water. Aluminum will not rust, but due to high temperatures and weathering, oxidation can occur on aluminum surfaces. This will appear as white spots on the castings. To refinish the castings, clean them and sand lightly with fine sandpaper. Wipe surface to remove any residue, and paint with high temperature barbecue paint. Protect surrounding areas from over-spray. Follow curing directions found on the can.

TROUBLESHOOTING

Problem	Possible Causes	Solution
Low heat / Low flame when valve turned to high.	For propane - improper lighting procedure.	Ensure lighting procedure is followed carefully. All gas grill valves must be in the off position when the tank valve is turned on. Turn tank on slowly to allow pressure to equalize. See lighting instructions.
	For natural gas - undersized supply line.	Pipe must be sized according to installation code.
	For both gases - improper pre-heating.	Pre-heat grill with both main burners on high for 10 to 15 minutes.

Problem	Possible Causes	Solution
Excessive flare-ups/uneven heat.	Sear plates installed incorrectly. Improper pre-heating. Excessive grease and ash build up on sear plates and in drip pan.	Ensure sear plates are installed with the holes towards the front, and the slots on the bottom. See assembly instructions. Pre-heat grill with both main burners on high for 10 to 15 minutes. Clean sear plates and drip pan regularly. Do not line pan with aluminum foil. Refer to cleaning instructions.
Burners burn with yellow flame, accompanied by the smell of gas.	Possible spider web or other debris, or improper air shutter adjustment.	Thoroughly clean burner by removing. See general maintenance instructions. Open air shutter slightly according to combustion air adjustment instructions.
Flames lift away from burner, accompanied by the smell of gas, and possibly difficulties in lighting.	Improper air shutter adjustment.	Close air shutter slightly according to combustion air adjustment instructions.
Burner will not light with the igniter, but will light with a match.	Dead battery / or installed incorrectly. Loose electrode wire. Wrong replacement igniter. Improper gap at electrode tip. Lifting flames on burner.	Replace with heavy duty 'AAA' battery. Install with positive terminal up. Check that electrode wire is firmly pushed onto the terminal on the back of the igniter. Two spark systems must use a two spark igniter. Ensure that the collector box is tight, and the gap between the electrode end and the collector box is between 1/8 - 3/16". The gap can be adjusted by bending the box in or out. Close air shutter slightly - see previous problem.
Humming regulator.	Normal occurrence on hot days.	This is not a defect. It is caused by internal vibrations in the regulator, and does not affect the performance or safety of the gas grill. Humming regulators will not be replaced.
Burners will not crosslight each other.	Plugged ports along back of burner.	Clean burner ports. See burner maintenance instructions.
"Paint" appears to be peeling inside lid or hood.	Grease build up on inside surfaces.	This is not a defect. The finish on the lid and hood is porcelain, and will not peel. The peeling is caused by hardened grease, which dries into paint-like shards, that will flake off. Regular cleaning will prevent this. See cleaning instructions.

ORDERING REPLACEMENT PARTS

Before contacting the customer service department, check the NAC web site for more extensive cleaning, maintenance, troubleshooting and part replacement instructions at www.napoleongrills.com. Contact the factory directly for replacement parts and warranty claims. The customer service department is available between 9 AM and 5 PM (Eastern standard time) at 1-705-725-4258 or fax at 1-705-727-4282. In order to process a claim, we must be provided with the following information:

1. Model and serial number of the unit.
2. Part number and description.
3. A concise description of the problem ('broken' is not sufficient).
4. Proof of purchase (photocopy of the invoice).

In some cases the customer service representative may request to have the parts returned to the factory for inspection, before providing replacement parts. The parts must be shipped prepaid to the attention of the customer service department with the following information:

1. Model and serial number of the unit.
2. A concise description of the problem ('broken' is not sufficient).
3. Proof of purchase (photocopy of the invoice).
4. Return Authorization number - provided by the customer service representative.

Before contacting customer service, kindly note that the following items are not covered by the warranty:

- costs for transportation, brokerage or export duties
- labor costs for removal and re-installation
- costs for service calls to diagnose problems
- discoloration of stainless steel parts
- part failure due to lack of cleaning and maintenance, or use of improper cleaners (oven cleaner).



Les grils à gaz NAPOLÉON sont fabriqués conformément aux normes strictes du Certificat d'assurance de qualité mondialement reconnues ISO 9001-2000.

Les produits NAPOLÉON sont conçus avec des composantes et des matériaux de qualité supérieure, assemblés par des artisans qualifiés qui sont fiers de leur travail. Le brûleur et le montage de la soupape subissent un test de détection de fuites et d'allumage à une station de test de qualité et sont soigneusement inspectés par un technicien qualifié avant d'être emballés et expédiés pour garantir que vous, le client, recevez le produit de qualité dont vous vous attendez de NAPOLÉON.



GARANTIE À VIE LIMITÉE DU PRÉSIDENT

NAPOLÉON garantit votre nouveau gril à gaz contre tous défauts concernant les matériaux et le procédé de fabrication tels qu'énumérés ci-après tant et aussi longtemps que vous êtes propriétaire du gril. Cette garantie couvre: la fonte d'aluminium, les brûleurs en acier inoxydable, les grilles de cuisson en acier inoxydable (en tige), les tablettes latérales en acier inoxydable, les embout en LUXIDIO^R de les tablettes latérales, les roues, les boutons de contrôle, le couvercle de porcelaine émaillée et le couvercle en acier inoxydable sous réserve des conditions suivantes. Pendant les dix premières années, NAPOLÉON remplacera gratuitement les pièces de rechange selon son choix. De la onzième année à vie, NAPOLÉON fournira les pièces de rechange à 50% du prix de détail courant.

Les composantes tels que le régulateur, roulettes, la grille-réchaud en acier inoxydable, les tuyaux et les raccords, les fixations et les accessoires sont couverts et NAPOLÉON fournira les pièces gratuitement durant la première année de la garantie limitée.

Les composantes tels que les plaques de brûleur en acier inoxydable, l'allumeur exclure les pile, la jauge de température et les soupapes de laiton sont couverts et NAPOLÉON fournira les pièces gratuitement durant les trois premières années de la garantie limitée.

NAPOLÉON n'assumera aucun frais de transport, de main-d'oeuvre ou taxes d'exportation.

CONDITIONS ET LIMITATIONS

"NAPOLÉON garantit ses produits contre tous défauts de fabrication à l'acheteur d'origine seulement (i.e. l'individu ou la personne morale (client inscrit) dont le nom apparaît sur la carte d'enregistrement de garantie déposée auprès de NAPOLÉON) à condition que l'achat ait été fait par l'entremise d'un représentant autorisé NAPOLÉON et sous réserve des conditions et limitations suivantes."

Cette garantie d'usine n'est pas transférable et ne peut être prolongée par aucun de nos représentants qu'elle qu'en soit la raison.

Le gril à gaz doit être installé par un installateur ou entrepreneur qualifié. L'installation doit être faite conformément aux instructions d'installation incluses avec le produit et à tous les codes d'incendie et de construction locaux et nationaux.

Cette garantie limitée ne couvre pas les dommages causés par un usage impropre, un manque d'entretien, feux de graisse, un environnement inadéquat, un accident, des modifications, de l'abus ou de la négligence. L'installation de pièces d'autres fabricants annulera cette garantie.

Cette garantie limitée ne couvre pas non plus les éraflures, les bosselures, la corrosion ou la décoloration causés par la chaleur ou les produits d'entretien chimiques et abrasifs ni l'écaillage des pièces de porcelaine émaillée ni les composantes utilisées dans l'installation du gril à gaz.

Dans le cas d'une détérioration des composantes causant un mauvais fonctionnement pendant la période couverte par la garantie, un remplacement part des composantes sera effectué.

Au cours de la première année seulement, cette garantie s'applique à la réparation ou au remplacement des pièces garanties dont les matériaux ou la fabrication sont défectueux à la condition que le produit ait été utilisé conformément aux instructions d'opération et dans des conditions normales.

Après la première année, selon cette Garantie à vie limitée du Président NAPOLÉON peut, à sa discrétion, se libérer complètement de toutes ses obligations en ce qui concerne cette garantie en remboursant à l'acheteur d'origine le prix de gros de toutes pièces garanties qui sont défectueuses.

NAPOLÉON ne sera pas responsable de l'installation, main-d'oeuvre ou autres coûts ou dépenses relatives à la réinstallation d'une pièce garantie car de telles dépenses ne sont pas couvertes par cette garantie.

Nonobstant toutes les dispositions contenues dans cette Garantie à vie limitée du Président, la responsabilité de NAPOLÉON sous cette garantie est définie comme ci-dessus et elle ne s'appliquera à aucun dommage accidentel, consécutif ou indirect.

Cette garantie définit les obligations et responsabilités de NAPOLÉON en ce qui concerne le gril à gaz NAPOLÉON. Tout autre garantie énoncée ou implicite en ce qui concerne ce produit, ses composantes ou accessoires est exclue.

NAPOLÉON n'endosse ni n'autorise aucun tiers à assumer en son nom, tout autre responsabilité concernant la vente de ce produit. NAPOLÉON ne se tiendra pas responsable d'une surchauffe ou d'explosions causées par des conditions environnementales tel que des vents forts ou une ventilation inappropriée.

Tous dommages causés au gril par la température, un usage abusif ou l'utilisation de produits d'entretien chimiques ou abrasifs ne seront pas la responsabilité de NAPOLÉON.

La facture ou une copie sera requise ainsi que le numéro de série et de modèle du gril lors d'une réclamation auprès de NAPOLÉON. La carte d'enregistrement doit être retournée dans les quatorze jours pour enregistrer la garantie ou enregistrer en ligne à : www.napoleongrills.com.

NAPOLÉON se réserve le droit de demander à son représentant d'inspecter tous produits ou pièces avant d'approuver les réclamations.

NAPOLÉON n'assumera aucun frais de transport, de main-d'oeuvre ou taxes d'exportation.

AVERTISSEMENT

Ne tentez pas d'allumer cet appareil avant d'avoir lu la section des instructions "D'ALLUMAGE" de ce manuel

POUR VOTRE SÉCURITÉ N'ENTREPOSEZ OU N'UTILISEZ PAS DE GASOLINE, DE VAPORISATEURS OU DE LIQUIDES INFLAMMABLES À PROXIMITÉ DE CET OU DE TOUT AUTRE APPAREIL. UNE BONBONNE DE PROPANE NON-BRANCHÉE NE DEVRAIT PAS ÊTRE ENTREPOSÉE À PROXIMITÉ DE CET OU DE TOUT AUTRE APPAREIL. SI L'INFORMATION CONTENUE DANS CES INSTRUCTIONS N'EST PAS SUIVIE À LA LETTRE, UN INCENDIE OU UNE EXPLOSION POURRAIT EN RÉSULTER CAUSANT DES DOMMAGES À LA PROPRIÉTÉ, DES BLESSURES HUMAINES OU MÊME LA MORT.



QUE FAIRE SI VOUS DÉTECTEZ UNE ODEUR DE GAZ?

- Fermez l'alimentation principale en gaz.
- Éteignez toute flamme nue.
- Ouvrez le couvercle.
- Appelez immédiatement votre fournisseur de gaz ou les pompiers si l'odeur persiste.

CONSIGNES DE SÉCURITÉ

- * Ce gril à gaz n'est pas conçu pour être installé dans ou sur des véhicules récréatifs et/ou des bateaux.
- * Ce gril doit être utilisé uniquement à l'extérieur dans un endroit bien ventilé et ne doit jamais être utilisé à l'intérieur d'un édifice, d'un garage ou de tout autre endroit fermé, extérieure seulement.
- * Gardez les fils électriques ou tuyaux d'alimentation de combustible éloignés des surfaces chauffantes.
- * Inspectez le tuyau d'alimentation en gaz avant chaque utilisation. S'il montre des signes de fendillement excessif, d'usure ou s'il est coupé, il doit être remplacé par un ensemble de rechange spécifié par le fabricant avant d'utiliser le gril.
- * Lorsque la bonbonne de propane est débranchée du gril, la bonbonne et le gril doivent être entreposés à l'extérieur dans un endroit bien ventilé.
- * Ne vous installez pas dans un endroit venteux. Les vents forts ont des effets négatifs sur la performance de votre gril durant la cuisson.
- * Les adultes et en particulier les enfants devraient être prévenus des dangers concernant les surfaces à hautes températures. Les enfants devraient toujours être sous surveillance lorsqu'ils sont près du gril.
- * Un gril ne devrait jamais être modifié.
- * Lorsque le gril n'est pas utilisé l'alimentation en gaz devrait être coupée à la bonbonne ou à la soupape d'alimentation pour le gaz naturel.
- * Lorsque le gril doit être entreposé à l'intérieur, la bonbonne de gaz doit être débranchée du gril, enlevée et entreposée à l'extérieur dans un endroit bien ventilé et hors de la portée des enfants. Les bonbonnes ne doivent en aucun temps être entreposées à l'intérieur d'un édifice, d'un garage ou de tout autre endroit fermé.
- * Le couvercle doit être fermé lors de la période de réchauffage du gril.
- * N'utilisez pas le plateau à condiments pour entreposer des briquets, allumettes ou autres matériaux inflammables.
- * Ce gril à gaz est conçu pour une utilisation.

QUOI FAIRE ET NE PAS FAIRE

À FAIRE

- Lire le manuel d'instructions au complet avant d'utiliser le gril.
- Respecter les dégagements recommandés des matériaux inflammables (16" à l'arrière du gril et 7" sur les côtés). Une distance plus grande est recommandée à proximité d'un recouvrement de vinyle ou d'une grande surface vitrée.
- Faire un test de fuites avant la première utilisation, annuellement et à chaque fois qu'une composante de gaz est changée.
- Suivre les instructions d'allumage à la lettre lorsque vous utilisez votre gril. Les soupapes des brûleurs doivent être fermées lorsque vous ouvrez la soupape d'alimentation en gaz.
- S'assurer que les plaques du brûleur sont bien en place selon le livre d'instructions. Les trous doivent être placés vers l'avant du gril.
- Nettoyer le tiroir d'égouttement et les plaques du brûleur régulièrement pour éviter les feux de graisse.
- Enlever la grille-réchaud avant d'allumer le brûleur arrière. (La chaleur intense pourrait l'endommager).

À NE PAS FAIRE

- Ne pas utiliser le plateau à condiments pour entreposer des briquets, des allumettes ou tout autre matériau inflammable.
- Ne pas placer le gril sous une construction inflammable non-protégée.
- Ne pas utiliser le brûleur arrière en même temps que le brûleur principal.
- Ne pas laisser le gril sans surveillance lorsqu'il est allumé.
- Ne pas allumer le gril avec le couvercle fermé.
- Ne pas déplacer le gril pendant qu'il fonctionne ou qu'il est chaud.
- Ne pas permettre à l'eau froide (pluie, arrosoir, boyeau d'arrosage etc) de venir en contact avec le gril chaud. Une grande différence de température pourrait causer l'éclatement de la porcelaine.

BONBONNE DE GAZ



N'utilisez que des bonbonnes de gaz qui rencontrent les exigences des normes régionales et nationales. Assurez-vous que la bonbonne puisse fournir suffisamment de combustible pour faire fonctionner l'appareil. Si vous êtes incertain, consultez votre fournisseur de gaz.

- Placez toujours la bonbonne à la verticale sur une surface de niveau près du gril. (Royaume-Uni seulement)
- Soyez prudent lorsque vous manipulez la soupape de la bonbonne.
- Ne branchez jamais une bonbonne qui ne rencontre pas les exigences des normes locales.
- N'entreposez jamais de bonbonne de rechange à proximité d'un appareil en fonction. Les bonbonnes ne doivent pas être exposées à la chaleur extrême ou à la lumière directe du soleil.

INSTALLATION DE LA BONBONNE : Placez la bonbonne dans le trou de la tablette inférieure.

ROYAUME-UNI SEULEMENT : Placez la bonbonne sur une surface de niveau près du gril, sous la tablette latérale droite. N'utilisez pas la tablette inférieure pour installer la bonbonne.

IMPORTANT : Assurez-vous que le tuyau soit installé de façon à conserver le dégagement nécessaire avec le dessous de l'appareil.

BRANCHEMENT DE LA BONBONNE : Assurez-vous que le tuyau du régulateur de gaz est sans anomalie. Enlevez le bouchon sur la soupape de gaz de la bonbonne. Serrez le régulateur sur la soupape de la bonbonne. *Faites un test de détection de fuites sur tous les raccords avant d'utiliser le gril.* Un test de détection de fuites doit être fait annuellement et à chaque fois qu'une bonbonne est branchée ou qu'une pièce du système de gaz est remplacée.

TUYAU DE GAZ

- Si le tuyau et le régulateur ne sont pas fournis par le fabricant, seuls les tuyaux et les régulateurs se conformant aux exigences des normes nationales et régionales peuvent être utilisés.
- Ne branchez pas l'appareil à une source d'alimentation en gaz installée en permanence.
- Assurez-vous que le tuyau n'entre pas en contact avec de la graisse, d'autres jus de cuisson chauds ou toute surface chaude sur l'appareil.
- Inspectez le tuyau régulièrement. Si le tuyau montre des signes de fendillement, de fonte ou d'usure, remplacez le tuyau avant d'utiliser l'appareil.
- La longueur recommandée du tuyau est de 0,5 m. Le tuyau ne doit pas dépasser 1,5 m de longueur.
- Assurez-vous que le tuyau ne soit pas plié ou tordu lorsque installé.
- Remplacez le tuyau avant la date d'expiration imprimée sur celui-ci.

TEST DE DÉTECTION DE FUITES



N' UTILISEZ PAS DE SOURCES DE FEU POUR VERIFIER UNE FUITES.

TEST DE FUITES: Il doit être fait avant la première utilisation, annuellement et à chaque fois qu'une pièce du système de gaz est remplacée ou réparée. Ne fumez pas et enlevez toutes sources d'allumage lorsque vous faites ce test. Consultez le schéma de test de fuites pour voir les endroits à tester.

- 1 - Fermez tous les boutons des brûleurs. Ouvrez la soupape de la bonbonne.
- 2 - Appliquez une solution de deux parts égales de savon liquide et d'eau sur tous les joints du régulateur, le tuyau et ses raccords.
- 3 - Des bulles indiqueront une fuite de gaz. Resserrez le joint ou remplacez la pièce avec une autre recommandée par le détaillant.
- 4 - Si la fuite ne peut être réparée, fermez l'alimentation de gaz à la bonbonne, enlevez-la et faites inspecter votre gril par votre fournisseur de gaz ou détaillant. N'utilisez pas l'appareil jusqu'à ce que la fuite soit réparée.
- 5 - Fermez la soupape de la bonbonne.

RÉGULATEUR

Le tableau ci-dessous affiche les valeurs d'entrée de l'appareil.

BRÛLEUR	TAILLE DE L'INJECTEUR		ENTRÉE DE CHALEUR (TOTAL)	UTILISATION DE GAZ (TOTAL)	
	I	II		PROPANE	BUTANE
PRINCIPAL	63	65	16.4 kW	1173 g/h	1192 g/h
ARRIÈRE	56	59	7.6 kW	543 g/h	553 g/h
LATÉRAL	60	64	4.5 kW	322 g/h	327 g/h

Gaz certifiés / pressions - Vérifiez la plaque d'homologation pour vous assurer qu'elle corresponde avec la liste suivante.

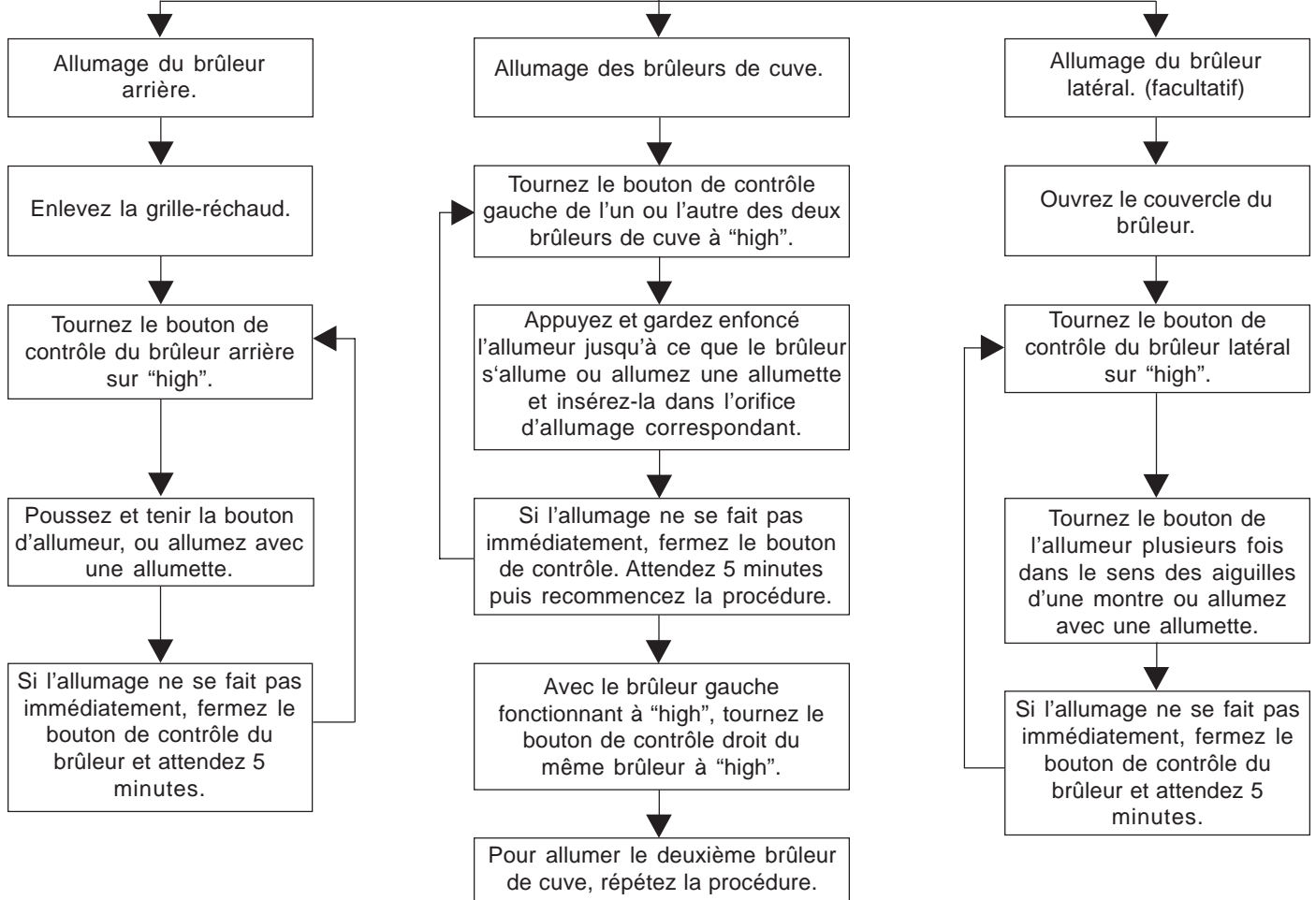
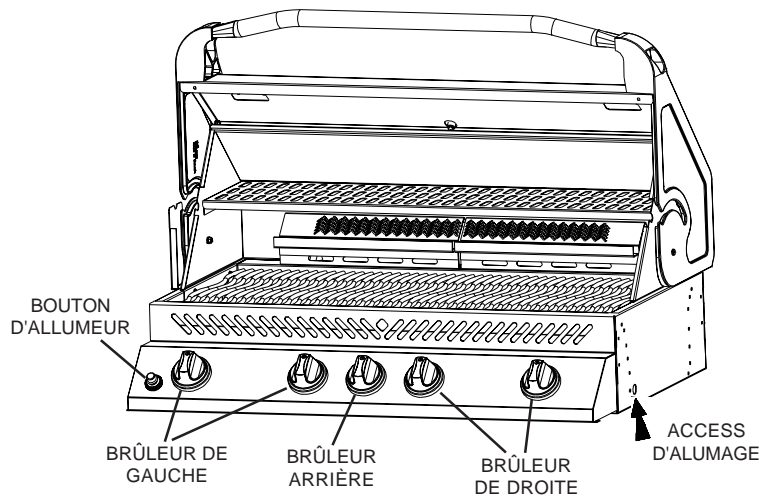
Catégorie de gaz	I _{3B/P(30)}	I _{3+(28-30/37)}	I _{3B/P(50)}
Grandeurs de l'injecteur (voir ci-dessus)	I	I	II
Gaz / pressions	Butane 30 mbar Propane 30 mbar	Butane 28-30 mbar Propane 37 mbar	Butane 50 mbar Propane 50 mbar
Pays	DK, FI, NL, NO, SE	BE, ES, FR, GB, IE, IT, PT	DE, AT

Les régulateurs pour le butane et le propane doivent posséder un indice d'au moins 1500 g/h. Ne démontez pas et ne modifiez pas le régulateur. N'utilisez que des régulateurs fournissant les pressions affichées dans le tableau ci-dessus.

INSTRUCTION D'ALLUMAGE

Ouvrez le couvercle

Fermez tous les boutons de contrôle des brûleurs, ouvrez la soupape d'alimentation en gaz lentement.



La bonbonne est équipée d'un dispositif de contrôle d'écoulement du gaz. À moins que tous les boutons des brûleurs soient fermés avant d'ouvrir la bonbonne, seules de petites flammes seront obtenues.



N'utilisez jamais le brûleur arrière avec le brûleur principal.

INSTRUCTIONS D'OPÉRATION

Lorsqu'il est allumé pour la première fois, le gril dégagera une légère odeur. Ceci est un phénomène normal et temporaire causé par l'évaporation des peintures et lubrifiants internes utilisés dans le processus de fabrication et ne se reproduira pas. Allumez simplement votre gril sur "high" pendant une demi-heure.

UTILISATION DU BRÛLEUR PRINCIPAL: Avant de cuire les aliments il est recommandé de préchauffer le gril à "high" avec le couvercle fermé pendant environ 10 minutes. Les aliments à cuisson courte (poisson, légumes) peuvent être grillés avec le couvercle ouvert. Une cuisson avec le couvercle fermé procurera des températures plus élevées et plus constantes qui réduiront la période de cuisson et cuiront la viande de façon plus égale. Les aliments qui requièrent un temps de cuisson de plus de 30 minutes, tels que les rôtis, peuvent être cuits en utilisant la méthode indirecte (avec le brûleur allumé du côté opposé à l'emplacement de la viande). Lorsque vous faites cuire des viandes très maigres, comme une poitrine de poulet ou du porc maigre, il est à conseiller de huiler les grilles de cuisson avant le préchauffage ce qui aura pour effet d'empêcher la viande de trop coller aux grilles. Le fait de cuire de la viande avec beaucoup de gras, peut causer des flambées soudaines. Il suffit alors d'enlever le gras avant la cuisson ou de réduire la température pour remédier à ce problème. En cas de flambées, éloignez les aliments de la flamme et réduisez la température. Gardez le couvercle ouvert. Pour des instructions plus détaillées, veuillez consulter le "Livres de recettes toutes saisons" de NAPOLEON.

UTILISATION DU BRÛLEUR ARRIÈRE: Enlevez la grille-réchaud avant de l'allumer. Les grilles de cuisson doivent également être enlevées si elles interfèrent avec l'utilisation de la rôtissoire. Ce gril est équipé d'un brûleur arrière de 26,000 BTU. Le brûleur arrière est conçu pour être utilisé avec l'ensemble de rôtissoire. Consultez les instructions de montage de l'ensemble rôtissoire pour plus de détails. Pour placer le contre-poids au bon endroit enlevez le moteur de la rôtissoire de son support. Placez la broche qui supporte la viande sur les deux supports à l'intérieur du gril. Le morceau de viande se placera naturellement avec son côté le plus pesant vers le bas. Fixez le contre-poids en place en plaçant le bras vers le haut. Vous devez ensuite glisser le poids vers le haut ou vers le bas afin de contrebalancer le poids de la viande puis serrez-le en place. Remplacez le moteur et commencez la cuisson. Placez la lèche-frite sous la viande pour récupérer le jus de cuisson qui servira pour arroser la viande et créer ainsi une délicieuse sauce naturelle. On peut également ajouter un peu d'eau si nécessaire pour favoriser l'arrosage. Afin de capturer le jus à l'intérieur de la viande, réglez le brûleur arrière à "high" jusqu'au brunissement puis, réduisez ensuite la chaleur pour une cuisson complète. Gardez le couvercle fermé pour obtenir de meilleurs résultats. Vos rôtis et volailles seront parfaitement dorés à l'extérieur tout en restant tendres et juteux à l'intérieur. Par exemple, un poulet de 3 livres sur la rôtissoire sera cuit dans approximativement 1h30 à une température entre moyenne et haute. Consultez votre "Livres de recettes toutes saisons" de NAPOLEON pour de plus amples informations.

UTILISATION DU BRÛLEUR LATÉRAL: Votre brûleur latéral peut être utilisé comme un rond de cuisinière normal pour chauffer les sauces, les soupes etc. Le gril doit être placé de manière à ce que le vent n'affecte pas l'opération du brûleur latéral car il en réduirait la performance.

NETTOYAGE

Assurez-vous que les brûleurs sont éteints avant de nettoyer. Éviter tout contact avec les surfaces chaudes. Nettoyez votre gril dans un endroit où les produits de nettoyage n'endommageront pas votre patio, terrain ou terrasse. N'utilisez pas de produit de nettoyage à fourneau pour nettoyer votre gril. La sauce BBQ et le sel sont très corrosifs et causeront une détérioration très rapide de votre gril à moins que vous ne fassiez un nettoyage régulier.

LES GRILLES DE CUISSON ET LA GRILLE-RÉCHAUD: Les grilles de cuisson et la grille-réchaud sont plus faciles à nettoyer durant la période de préchauffage en utilisant une brosse en laiton. Une laine d'acier peut être utilisée pour les taches les plus rebelles. Les grilles en acier inoxydable vont changer de couleur en permanence dû à la chaleur excessive de la surface de cuisson.

NETTOYAGE DE L'INTÉRIEUR DU GRIL: Enlevez les grilles de cuisson. Utilisez une brosse en laiton pour enlever les débris non-incrustés sur les côtés de la cuve et à l'intérieur du couvercle. Grattez les plaques de brûleur avec un couteau à mastic ou un grattoir puis utilisez une brosse en laiton pour enlever la suie. Enlevez les plaques de brûleur et nettoyez les débris sur le brûleur à l'aide de la brosse. Nettoyez tous les débris qui se trouvent à l'intérieur du gril en les faisant tomber dans le tiroir d'égouttement. Assurez-vous de replacer les plaques de brûleur dans la bonne position. (Consultez les instructions de montage si nécessaire pour un positionnement correct).

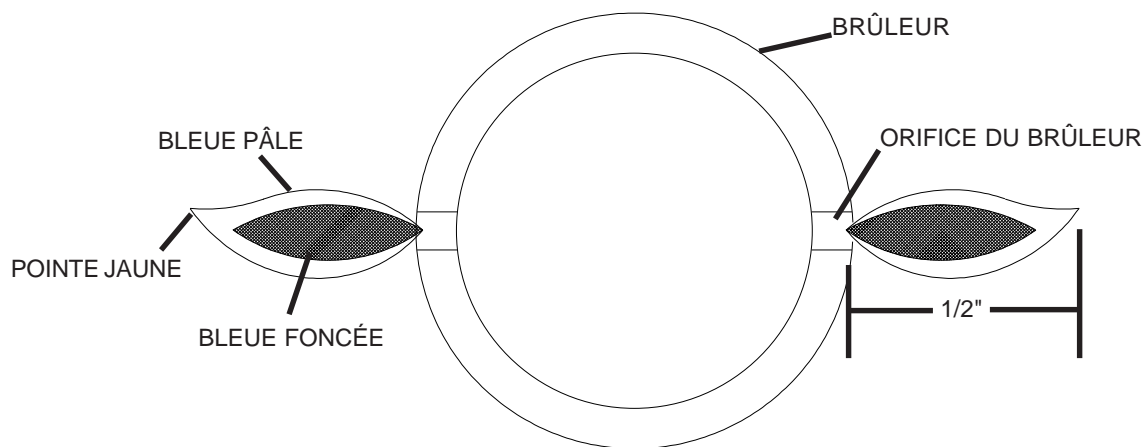
NETTOYAGE DU TIROIR D'ÉGOUTTEMENT: Sortez le tiroir d'égouttement pour en faciliter le nettoyage. Il devrait être nettoyé fréquemment (à toutes les 4 ou 5 utilisations) afin d'éviter une accumulation de graisse. La graisse et les jus tombent dans le tiroir d'égouttement qui se trouve sous la cuve du gril et coulent pour aller s'accumuler dans le récipient à graisse jetable qui se situe sous le tiroir d'égouttement. L'accumulation de graisse est un danger pour le feu. Ne tapissez jamais votre tiroir d'égouttement à l'aide de papier d'aluminium car ceci aurait pour effet de nuire au bon écoulement de la graisse. Le tiroir d'égouttement devrait être gratté à l'aide d'un couteau à mastic ou d'un grattoir en jetant les débris dans le récipient à graisse jetable. Le récipient jetable devrait être remplacé entre deux et quatre semaines selon la fréquence d'utilisation du gril. Pour vous procurer des récipients de rechange informez-vous à votre représentant NAPOLEON.

NETTOYAGE DE L'EXTÉRIEUR DU GRIL: N'utilisez pas de produits abrasifs pour nettoyer les pièces peintes, de fini porcelaine ou en acier inoxydable. Les éléments en porcelaine émaillée doivent être manipulés avec soin. Le fini émaillé étant cuit il devient comme du verre; il s'ébrêchera au moindre choc. Vous pouvez vous procurer de la peinture émaillée pour les retouches chez votre détaillant NAPOLEON. Utilisez une solution d'eau savonneuse chaude pour nettoyer l'extérieur du gril pendant qu'il est encore tiède au toucher. Pour nettoyer les surfaces en acier inoxydable utilisez un produit de nettoyage à acier inoxydable ou un produit de nettoyage tout usage sans abrasif. Frottez toujours dans le sens du grain. N'utilisez pas de laine d'acier car elle égratignerait le fini. Les pièces en acier inoxydable vont décolorer sous l'effet de la chaleur pour habituellement prendre une couleur dorée ou brune. Cette décoloration est normale et n'affectera pas la performance du gril.

INSTRUCTIONS D'ENTRETIEN

Fermez le gaz à la source et débranchez l'appareil avant l'entretien. L'entretien devrait être effectué seulement lorsque le gril est froid pour éviter toutes possibilités de brûlure. Un test de détection de fuites devrait être effectué annuellement ou à chaque fois qu'une composante de gaz est remplacée.

AJUSTEMENT DE L'AIR DE COMBUSTION (ceci doit être effectué par un installateur qualifié): Le volet d'air est réglé à l'usine et ne devrait pas avoir besoin normalement d'être ajusté. Cependant dans des conditions exceptionnelles un ajustement peut être requis. Lorsque le volet d'air est bien ajusté, les flammes seront bleues foncées avec des pointes bleues pâles ou quelques fois jaunes.



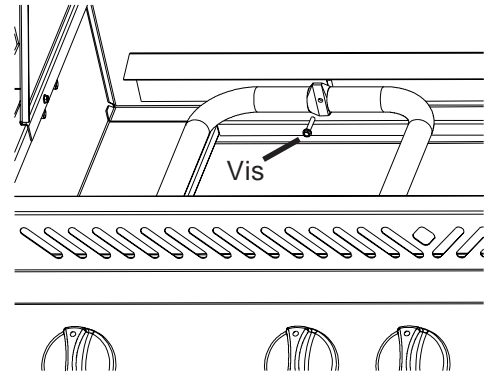
Si le brûleur ne reçoit pas assez d'air, les flammes seront jaunes pâles et produiront possiblement de la suie. Si le brûleur reçoit trop d'air, les flammes scintilleront de façon erratique et causeront possiblement des problèmes d'allumage.

1. Pour ajuster le volet d'air, enlevez les grilles de cuisson, les plaques de brûleur et laissez le couvercle ouvert. Pour ajuster le volet d'air du brûleur arrière, vous devez enlever le couvercle arrière.
2. Desserrez la vis de verrouillage du volet d'air et ouvrez ou fermez le volet d'air selon le cas. Les ajustements normaux sont:

Brûleur principal	Propane 1/4"	Brûleur arrière	Propane ouvert au complet
	Naturel 1/8"		Naturel 3/8"
3. Allumez les brûleurs et positionnez-les à "high". Inspectez visuellement les flammes. Lorsque les volets sont ajustés, éteignez les brûleurs, serrez la vis de verrouillage et remplacez les pièces qui avaient été enlevées. Assurez-vous que les petits grillages contre les insectes sont installés.

BOYAU - Vérifiez l'usure, coupures, craquelures ou s'il est fondu. Si vous découvrez une de ces défauts, n'utilisez pas votre gril. Faites remplacer la pièce par votre détaillant NAPOLEON ou par un installateur qualifié.

BRÛLEUR - Le brûleur est fait d'acier inoxydable 304, mais en raison de la chaleur extrême et d'un environnement corrosif, il se produira une corrosion de surface. Enlevez cette corrosion à l'aide d'une brosse en laiton. Nettoyez les orifices bouchés à l'aide d'un trombone déplié. N'agrandissez surtout pas les orifices du brûleur. Les araignées et les insectes sont attirés par l'odeur du propane et du gaz naturel. Le brûleur est muni d'un grillage contre les insectes qui protège le volet d'air réduisant ainsi la possibilité que les insectes se construisent des nids dans le brûleur mais ceci n'est pas efficace à 100 %. Le nid ou la toile d'araignée fera que le brûleur produira une flamme jaune pâle ou orangée ou causera des "ratés" de feu au niveau des volets d'air sous le panneau de contrôle. Pour nettoyer l'intérieur du brûleur vous devez le détacher du grill. Retirez les vis qui se trouvent au-dessus de l'arrière du brûleur, de chaque côté du centre. Soulevez l'arrière du brûleur vers le haut pour le retirer. Utilisez une brosse flexible de tube de venturi pour nettoyer l'intérieur du brûleur. Faites sortir tous les débris qui se trouvent à l'intérieur du brûleur en le brossant. Assurez-vous que le grillage est propre, serré et libre de tous débris ou déchets. Vérifiez également que les orifices de la soupape sont propres. N'agrandissez surtout pas les orifices. Réinstallez le brûleur. Assurez-vous que la soupape pénètre le brûleur lors de la réinstallation. Remplacez le couvre-brûleur et la vis centrale afin de terminer l'installation.



MOULAGES EN ALUMINIUM - Nettoyez les moulages périodiquement à l'aide d'une solution d'eau savonneuse chaude. L'aluminium ne rouillera pas mais dû aux chaleurs élevées et aux effets climatiques, une oxydation se produira sur les surfaces d'aluminium. Ceci apparaîtra comme des taches blanches sur les moulages. Pour réparer la fini des moulages, sablez-les à l'aide d'un papier émeri fin. Essuyez la surface et peignez avec de la peinture à gril haute température. Protégez les alentours des vapeurs de peinture. Suivez les directives de séchage inscrites sur la bonbonne de peinture.

GUIDE DE DÉPANNAGE

Problème	Causes Probables	Solution
Chaleur faible / Flamme petite lorsque le bouton de contrôle est sur "high".	<p>Pour le propane - procédure d'allumage incorrect.</p> <p>Pour le gaz naturel - tuyau d'arrivée du gaz trop petit.</p> <p>Pour les deux sortes de gaz - mauvais préchauffage</p>	<p>Assurez-vous que la procédure d'allumage est suivie à la lettre. Tous les boutons de contrôle du grill doivent être fermés lorsque vous ouvrez la soupape d'arrivée de gaz à la bonbonne ce qui devrait être fait lentement pour assurer l'équilibre de la pression. Voir les instructions d'allumage.</p> <p>Grosseur du tuyau doit être selon le code d'installation.</p> <p>Préchauffez le grill à l'aide des brûleurs principaux en les plaçant à "high" pendant 10 à 15 minutes.</p>
Flambée excessive / Chaleur inégale.	<p>Plaques de brûleur mal installées.</p> <p>Mauvais préchauffage</p> <p>Amas excessif de graisse et de cendres sur les plaques de brûleur et dans le tiroir d'égouttement.</p>	<p>Assurez-vous que les plaques sont installées avec les trous vers l'avant et les fentes en dessous. Voir les instructions du montage.</p> <p>Préchauffez le grill à l'aide des deux brûleurs principaux pendant 10 à 15 minutes.</p> <p>Nettoyez les plaques de brûleur et le tiroir d'égouttement régulièrement. Ne tapissez pas le tiroir d'égouttement avec du papier d'aluminium. Consultez les instructions de nettoyage.</p>
Les flammes produites par les brûleurs sont jaunes et vous détectez une odeur de gaz.	Possibilité de toiles d'araignée, d'autres débris ou d'un mauvais ajustement des volets d'air.	Enlevez le brûleur et nettoyez-le complètement. Consultez les instructions d'entretien. Ouvrez les volets d'air un peu tout en suivant les règles.

Problème	Causes Probables	Solution
Les flammes se détachent du brûleur, accompagnées d'une odeur de gaz et possiblement une difficulté d'allumage.	Mauvais ajustement des volets d'air.	Fermez légèrement les volets d'air selon les instructions d'ajustement des volets d'air.
Le brûleur ne s'allume pas avec l'allumeur mais s'allume avec une allumette.	La pile est déchargée ou installée incorrectement. Fil de l'électrode lâche. Mauvais allumeur de rechange. Mauvais écart du bout de l'électrode. Les flammes se séparent du brûleur.	Remplacez avec des piles AAA à grande capacité. Installez la pile avec la borne positive (+) vers le haut. Assurez-vous que le fil de l'électrode soit poussé bien au fond sur le terminal derrière l'allumeur. Le système à 2 étincelle ne fonctionnera qu'avec un allumeur de ce type. Assurez-vous que la boîte de connection est bien fixée et que la distance entre l'électrode et celle-ci est entre 1/8" et 3/16". La distance peut être ajustée en poussant la boîte vers l'extérieur. Fermez le volet d'air légèrement - voir le problème précédent.
Le régulateur murmure.	Problème normal en temps chaud.	Ceci n'est pas un défaut. Il est causé par une vibration à l'intérieur du régulateur et n'affecte en rien la performance et la sécurité du gril à gaz.
Les brûleurs ne s'allument pas les uns aux autres.	Les orifices sont bouchées à l'arrière du brûleur.	Nettoyez les orifices du brûleur. Consultez les instructions d'entretien.
La peinture semble peler à l'intérieur du couvercle.	Accumulation de graisse sur les surfaces internes.	Ceci n'est pas un défaut. Le fini du couvercle est porcelainisé et ne pèlera pas. Le pelage est causé par la graisse qui durci et sèche comme des éclats de peinture qui pèlent. Un nettoyage régulier préviendra ce problème. Consultez les instructions de nettoyage.

COMMANDE DES PIÈCES DE RECHANGE

Avant de contacter le bureau de service du clientele, veuillez prendre note, que notre guide de dépanage est maintenant disponible sur le net a www.napoleongrills.com. Ici, vous trouver beaucoup d'information comme les instructions de d'opération et de nettoyage et comment remplacer les pièces. Contactez le manufacturier directement pour obtenir des pièces de rechanges et faire des réclamations sur garantie. Le département de service est à votre disposition entre 9 AM et 5 PM (heure normale de l'est) au 1-705-725-4258 ou fax au 1-705-727-4282. Pour qu'une réclamation soit traitée, l'information suivante est nécessaire :

1. Modèle et numéro de série de l'appareil.
2. Numéro de la pièce et description.
3. Une description concise du problème (« cassé » n'est pas suffisant).
4. Preuve d'achat (copie de la facture).
5. Avoir en main votre Visa ou Mastercard pour payer les frais d'expédition.

Dans quelques cas, le département du service peut demander de leur retourner la pièce pour des fins d'inspection avant de fournir une pièce de rechange. Les pièces doivent être expédiées port payé à l'attention du département de service avec l'information suivante :

1. Modèle et numéro de série de l'appareil.
2. Une description concise du problème (« cassé » n'est pas suffisant).
3. Preuve d'achat (copie de la facture).
4. Un numéro l'autorisation de retour - fourni par le représentant du département de service.

Avant de contacter le département de service, veuillez prendre note que les items suivants ne sont par couverts par la garantie :

- coûts de transport, bris et frais d'exportation
- main-d'oeuvre pour l'enlèvement et l'installation de la pièce
- coûts des appels de service pour diagnostiquer le problème
- décoloration des pièces en acier inoxydable
- bris des pièces suite à un manque d'entretien ou de maintenance, ou utilisation de nettoyeurs non appropriés (nettoyeur à fourneau)



GOURMET GRILLS

Award Winning Products

De NAPOLEON-gasbarbecues worden vervaardigd volgens de strenge normen van het wereldwijd erkende ISO 9001-2000-kwaliteitscertificaat.

NAPOLEON-producten bevatten kwaliteitsonderdelen en –materiaal en worden geassembleerd door goed opgeleide vakmensen die trots zijn op hun werk. De branders en kleppen worden getest op lekkage en brandbestendigheid in een proefstation en worden grondig gecontroleerd door een gekwalificeerd technicus voordat zij worden verpakt en verzonden. Zo ontvangt u als klant met zekerheid het kwaliteitsproduct dat u van NAPOLEON verwacht



NAPOLEON-GASBARBECUES - BEPERKTE LEVENSLANGE GARANTIE VAN DE PRESIDENT

NAPOLEON garandeert uw nieuwe NAPOLEON-gasbarbecue op materiaal- en constructiefouten voor zolang als u er de eigenaar van bent. Deze garantie geldt voor: aluminium gietwerk, roestvrijstalen branders, roestvrijstalen grillroosters, LUXIDIO®-zijrekken, wielen, knoppen, geëmailleerde deksels en roestvrijstalen deksels. Er dient aan de volgende voorwaarden te zijn voldaan. Tijdens de eerste tien jaar zal NAPOLEON naar eigen goeddunken gratis voorzien in reserveonderdelen. Vanaf het elfde jaar zal NAPOLEON voorzien in reserveonderdelen tegen 50% van de gangbare kleinhandelsprijs.

Voor gedekte onderdelen als de regelaar, de wieltjes, het warmhoudrek, de slangen en aansluitstukken, de bevestigingsmiddelen en de accessoires zal NAPOLEON gratis voorzien in onderdelen tijdens het eerste jaar van de beperkte garantie.

Voor gedekte onderdelen als de roestvrijstalen kookplaten, roestvrijstalen grillroosters, de ontsteker (met uitzondering van de batterijen), temperatuursonde en koperen kleppen zal NAPOLEON gratis voorzien in onderdelen tijdens de eerste drie jaren van de beperkte garantie.

NAPOLEON is niet verantwoordelijk voor transportkosten, loonkosten of uitvoerbelastingen.

VOORWAARDEN EN BEPERKINGEN

"NAPOLEON garandeert haar producten tegen fabrieksfouten alleen tegenover de oorspronkelijke koper (m.n. de natuurlijke of rechtspersoon (geregistreerde klant) wiens naam op de aan NAPOLEON teruggestuurde garantietaal is vermeld wordt), mits zij werden aangeschaft via een erkende NAPOLEON-handelaar. De aanschaf moet voldoen aan de volgende voorwaarden en beperkingen:

Deze fabrieksgarantie is niet overdraagbaar en mag op geen enkele manier door onze vertegenwoordigers worden verlengd.

De gasbarbecue moet door een gemachtigde, erkende onderhoudstechnicus of aannemer worden geïnstalleerd. De installatie moet worden uitgevoerd in overeenstemming met de met het product meegeleverde installatie-instructies en met alle lokale en nationale bouw- en brandreglementen.

Deze beperkte garantie dekt geen schade ten gevolge van verkeerd gebruik, gebrek aan onderhoud, vetbrand, een vijandige omgeving, een ongeval, wijzigingen, misbruik of verwaarlozing, en het installeren van onderdelen van andere fabrikanten maakt deze garantie ongeldig.

Deze beperkte garantie dekt bovendien geen krassen, deuken, verf, roest of verkleuring door hitte, schurende en chemische schoonmaakmiddelen, en dekt ook niet het afbladderen van geëmailleerde onderdelen of tijdens de installatie van de gasbarbecue gebruikte onderdelen.

Worden de onderdelen zoveel slechter dat ze tijdens de duur van de beperkte garantie niet meer werken, dan zal een vervangend onderdeel worden geleverd.

Alleen tijdens het eerste jaar omvat deze garantie de vervanging van gegarandeerde defecte onderdelen met materiaal- of constructiefouten mits het product werd bediend in overeenstemming met de bedieningsinstructies en onder normale omstandigheden.

Na het eerste jaar kan NAPOLEON met betrekking tot deze beperkte levenslange garantie van de president beslissen alle verplichtingen af te wijzen aangaande deze garantie door aan de oorspronkelijke koper de groothandelsprijs van de door de garantie gedekte maar defecte onderdelen terug te betalen.

NAPOLEON is niet verantwoordelijk voor de installatie-, loon- of alle andere (on)kosten betreffende het opnieuw installeren van een door de garantie gedekt onderdeel en deze onkosten worden niet door deze garantie gedekt.

In afwijking van de bepalingen van deze beperkte levenslange garantie van de president, wordt de verantwoordelijkheid van NAPOLEON volgens deze garantie gedefinieerd als hierboven en wordt zij in geen geval uitgebreid tot enige incidentele, gevolg- of indirecte schade.

Deze garantie bakent de verplichtingen en de aansprakelijkheid van NAPOLEON af met betrekking tot NAPOLEON-gasbarbecues en enige andere expliciete of impliciete garantie aangaande dit product, zijn onderdelen of accessoires is uitgesloten.

NAPOLEON aanvaardt geen andere aansprakelijkheid met betrekking tot de verkoop van dit product en geeft ook geen derde de toestemming om dergelijke aansprakelijkheid voor haar te aanvaarden. NAPOLEON is niet verantwoordelijk voor: overgloeien, uitwaaien ten gevolge van weersomstandigheden zoals sterke wind, of onvoldoende verluchting.

Beschadiging van de gasbarbecue ten gevolge van het weer, hagel, ruwe behandeling, of schadelijke chemicaliën of reinigingsmiddelen kan niet ten laste van NAPOLEON worden gelegd.

Bij het indienen van een claim bij NAPOLEON zijn de verkoopovereenkomst of een kopie ervan en het serie- en modelnummer vereist. De garantietaal moet binnen 14 dagen worden geretourneerd zodat de garantie kan worden geregistreerd. U kunt ook online registreren op www.napoleongrills.com.

NAPOLEON behoudt het recht het betreffende product of onderdeel door haar vertegenwoordiger te laten controleren voordat een claim wordt gehonoreerd.

NAPOLEON is niet verantwoordelijk voor transportkosten, loonkosten of uitvoerbelastingen.

WAARSCHUWING

Steek dit apparaat niet aan voordat u de instructies van het hoofdstuk AANSTEKEN in deze handleiding hebt gelezen.

SLA VOOR UW VEILIGHEID GEEN BENZINE OF ANDERE ONTVLAMBARE DAMPEN EN VLOEISTOFFEN OP OF GEBRUIK DEZE NIET IN DE BUURT VAN DIT OF ENIG ANDER APPARAAT. NIET AANGESLOTEN FLESSEN MOGEN NIET IN DE BUURT VAN DIT OF ENIG ANDER APPARAAT WORDEN OPGESLAGEN. INDIEN DEZE AANWIJZINGEN NIET PRECIËS WORDEN OPGEVOLGD, KAN DAT BRAND- OF EXPLOSIEGEVAAR MEEBRENGEN EN MATERIËLE SCHADE, PERSOONLIJK LETSEL OF DE DOOD VEROORZAKEN.



DOE HET VOLGENDE INDIEN U GAS RUIKT:

- Sluit de leidinggastoevoer af.
- Doof open vlammen.
- Open het deksel.
- Neem onmiddellijk contact op met het gasbedrijf of de brandweer indien u gas blijft ruiken.

VEILIGHEIDSVOORSCHRIFTEN M.B.T. BEDIENING

- Deze gasbarbecue mag niet in of op pleziervoertuigen en/of – vaartuigen worden geïnstalleerd.
- Deze gasbarbecue mag alleen buiten op een goed verluchte plek worden gebruikt. Gebruik hem nooit in een gebouw, garage of een andere gesloten ruimte.
- Houd elektrische snoeren en brandstoftoevoerslangen verwijderd van hete oppervlakken.
- Controleer vóór gebruik de brandstoftoevoerslang. Blijkt dat er te veel afgeschaafde of versleten plekken zijn of dat de slang scheuren vertoont, dan moet deze voordat de gasbarbecue wordt gebruikt worden vervangen door een andere door de fabrikant goedgekeurde slang.
- Wanneer de gasfles niet losgekoppeld wordt van het apparaat, moeten de gasbarbecue en de fles buiten op een goed verluchte plek worden opgeslagen.
- Niet op winderige plekken plaatsen. Stevige wind tast het kookrendement van de gasbarbecue aan.
- Sluit na ieder gebruik de gastoevoer ter hoogte van de fles af.
- Verplaats het apparaat niet wanneer het in gebruik is.
- Volwassenen en vooral kinderen moeten worden gewezen op de gevaren van hoge temperaturen aan het kookoppervlak. Houd kleine kinderen uit de buurt.
- Deze gasbarbecue mag absoluut niet worden gewijzigd.
- De gastoevoer moet ter hoogte van de propaanfles of de aardgaskraan worden afgesloten wanneer de barbecue niet wordt gebruikt.
- Bij opslag van de gasbarbecue binnen moet de propaanfles worden losgekoppeld van de barbecue, verwijderd en buiten opgeslagen op een goed verluchte plek, buiten het bereik van kinderen. Losgekoppelde flessen mogen niet in een gebouw, garage of andere gesloten ruimte worden bewaard. Op aardgas werkende apparaten moeten van de gastoevoer worden losgekoppeld wanneer zij binnen worden opgeslagen.
- Het bovenste deksel moet worden gesloten wanneer de gasbarbecue wordt opgewarmd.
- Gebruik het kruidenrek niet om aanstekers, lucifers of ander ontvlambaar materiaal te bewaren.
- Deze gasbarbecue is uitsluitend bestemd voor gebruik buitenshuis.

BELANGRIJK: WAT WEL EN WAT NIET MAG

WEL

- Lees vóór gebruik de gebruikshandleiding van de gasbarbecue helemaal door.
- Laat voldoende ruimte tussen brandbaar materiaal en het apparaat: 41 cm tegenover de achterkant en 18 cm tegenover de zijkanten. In de buurt van vinyl of grote vensterruiten wordt extra ruimte aanbevolen.
- Test het apparaat op lekkage vóór het eerste gebruik, jaarlijks en na vervanging van gasonderdelen.
- Volg de instructies voor ontsteking tijdens de bediening van de barbecue zorgvuldig op.
- De branderknoppen moeten uit staan wanneer de gastoevoerkraan wordt opengedraaid.
- Zorg ervoor dat de kookplaten in de juiste positie staan, volgens de betreffende installatie-instructies.
- Maak geregeld het vetkommetje en de kookplaten schoon om vetophoping en bijgevolg vetbranden te voorkomen.
- Verwijder het warmhoudrek voordat u de achterste brander aansteekt. (Door de extreem hoge temperatuur zal het warmhoudrek worden beschadigd.)
- Draag beschermende handschoenen wanneer u hete voorwerpen of onderdelen aanraakt.

NIET

- Gebruik het kruidenrek niet om aanstekers, lucifers of ander ontvlambaar materiaal te bewaren.
- Plaats het apparaat niet onder een onbeschermde brandbare constructie.
- Gebruik de achterste brander niet wanneer de hoofdbranders werken.
- Laat een werkende barbecue niet onbeheerd staan.
- Steek de branders niet aan wanneer het deksel gesloten is.
- Verplaats de barbecue niet wanneer hij nog heet of aan het werken is.
- Zorg ervoor dat er geen koud water (regen, sproeier, slang etc.) in aanraking komt met een werkend apparaat. Door het grote temperatuurverschil kan het email schilferen.
- Knoei niet met door de fabrikant verzegelde onderdelen.
- Gebruik het onderste rek niet voor de opslag van een reservegasfles.

GASFLES



Gebruik uitsluitend goedgekeurde gasflessen. Zorg ervoor dat de fles voldoende gas bevat voor een goede werking van het apparaat. Neem in geval van twijfel contact op met het lokale gasbedrijf.

- Plaats de fles altijd verticaal op een vlakke ondergrond naast de barbecue. (alleen in Groot-Brittannië)
- Draai altijd voorzichtig aan de gastoevoerkraan.
- Sluit nooit een niet-goedgekeurde gasfles aan op het apparaat.
- Bewaar geen reservegasfles in de buurt van een werkend apparaat. Gasflessen mogen niet worden blootgesteld aan overmatige hitte of direct zonlicht.

INSTALLATIE VAN DE GASFLES: Plaats de fles in het gat van het onderste rek.

ALLEEN IN GROOT-BRITANNIË: Plaats de gasfles op een vlakke ondergrond naast de barbecue onder het rechterzijrek. Gebruik het onderste rek niet voor het opslaan van een gasfles.

BELANGRIJK: Zorg ervoor dat de gasslang zo loopt dat er voldoende afstand blijft tegenover de onderkant van het apparaat.

AANSLUITING VAN DE GASFLES: Zorg ervoor dat er geen kinken zijn in de slang van de gasregelaar. Verwijder de dop of plug van de gastoevoerkraan. Bevestig de regelaar aan de gastoevoerkraan. Test alle verbindingen op lekkage voordat u de barbecue gebruikt. De lektest moet op de volgende momenten worden uitgevoerd: jaarlijks, telkens als een gasfles wordt aangesloten of wanneer een gasonderdeel werd vervangen.

GASSLANG

- Indien de slang en de regelaar niet door de fabrikant worden meegeleverd, dan mogen alleen goedgekeurde slangen en regelaars worden gebruikt.
- Sluit het apparaat niet aan op een permanente gasinstallatie.
- Zorg ervoor dat de slang niet in contact komt met vet, ander heet braadvet of hete oppervlakken van de barbecue.
- Controleer de slang regelmatig. Indien hij gescheurd, gesmolten of versleten is, moet hij worden vervangen voordat het apparaat opnieuw wordt gebruikt.
- De voor de slang aanbevolen lengte bedraagt 0,5 m. Hij mag niet langer dan 1,5 m zijn.
- Zorg ervoor dat er bij de installatie geen verdraaiing of kinken zijn in de slang.
- Vervang de slang vóór de vervaldatum die erop vermeld staat.

INSTRUCTIES I.V.M. LEKTEST



TEST NIET OP LEKKAGE MET BEHULP VAN EEN VUURTJE

LEKTEST: Test het apparaat op lekkage vóór het eerste gebruik, jaarlijks en na vervanging of onderhoud van gasonderdelen. Rook niet tijdens deze test en verwijder alle ontstekingsbronnen. Zie het schema in verband met lektests voor de te controleren gedeelten.

1. Schakel alle branderknoppen uit. Draai de gastoevoerkraan open.
2. Breng met een borstelje op alle verbindingen en aansluitingen van de regelaar, slang, verdeelstukken en kranen een oplossing van vloeibare zeep en water aan.
3. Luchtbellen wijzen op een gaslek. Draai het losse onderdeel vast of vervang het door een door de handelaar aanbevolen stuk.
4. Als het lek niet kan worden gedicht, sluit dan de gastoevoer af, koppel deze af en laat de barbecue controleren door het gasbedrijf of de handelaar. Gebruik het apparaat slechts nadat het lek werd gedicht.
5. Sluit de gastoevoer af.

REGELAAR

In de volgende tabel vindt u invoerwaarden voor het apparaat.

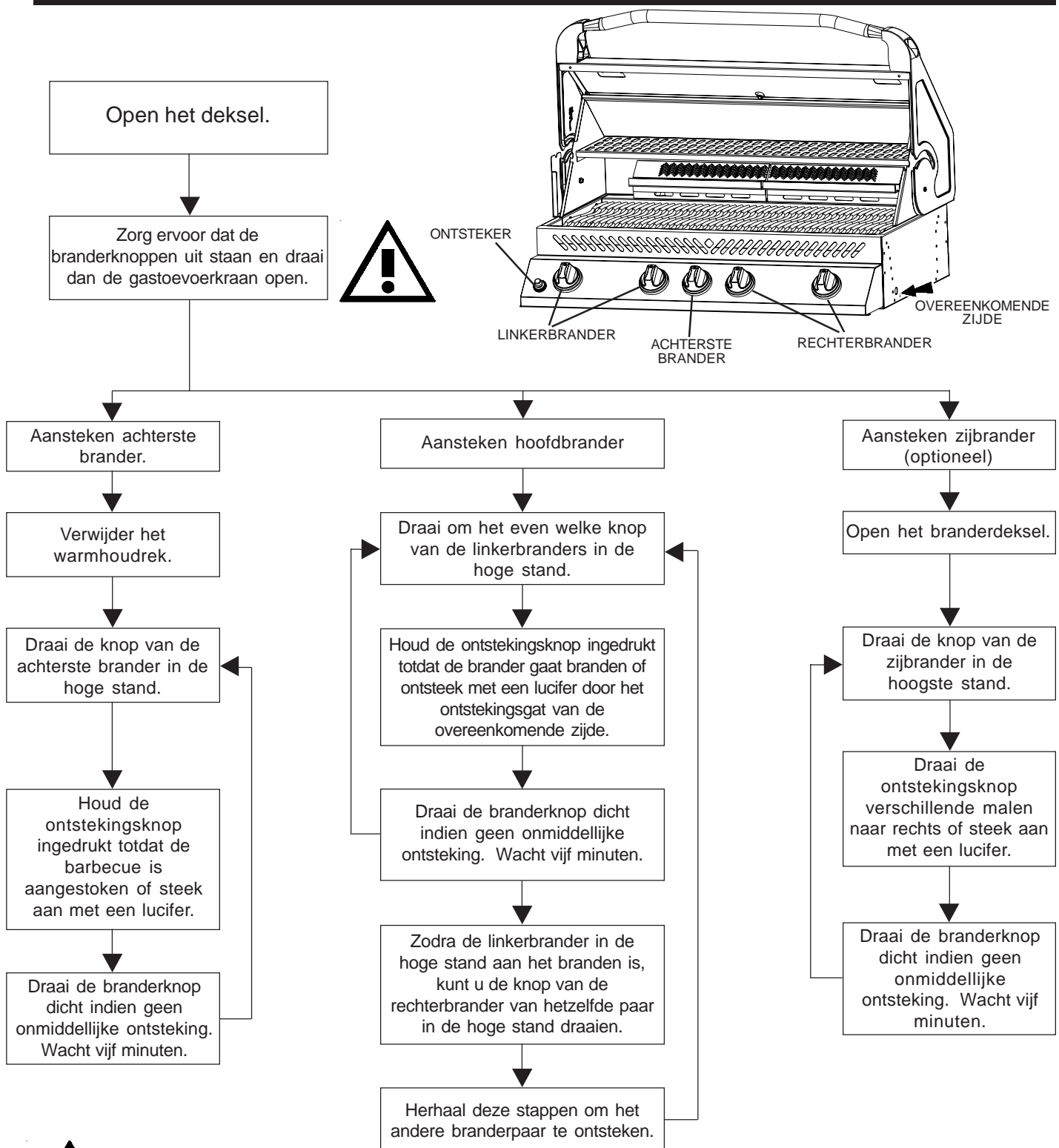
BRANDER	OPENINGSGROOTTE		WARMTE-INVVOER (TOTAAL)	GASVERBRUIK (TOTAAL)	
	I	II		PROPAAN	BUTAAN
HOOFDBRANDER	63	65	16.4 kW	1173 g/h	1192 g/h
ACHTERZIJDE	56	59	7.6 kW	543 g/h	553 g/h
ZIJBRANDER	60	64	4.5 kW	322 g/h	327 g/h

Gecertificeerde gassen / drukwaarden – Controleer of de kenplaat overeenkomt met de volgende lijst.

Gassoort	I _{3B/P(30)}	I _{3+(28-30/37)}	I _{3B/P(50)}
Openingsgrootten (zie hierboven)	I	I	II
Gassen / drukwaarden	Butaan 30mbar Propaan 30mbar	Butaan 28-30mbar Propaan 37mbar	Butaan 50mbar Propaan 50mbar
Landen	DK, FI, NL, NO, SE	BE, ES, FR, GB, IE, IT, PT	DE, AT

De regelaars voor zowel butaan- als propaangas moeten een nominale waarde hebben van ten minste 1500 g/h. Knoei niet met de regelaar of wijzig hem niet. Gebruik uitsluitend regelaars die de in de bovenstaande tabel vermelde druk leveren.

INSTRUCTIES I.V.M. AANSTEKEN



De propaanfles is voorzien van een meter voor te groot debiet. Zo zullen slechts kleine vlammen worden verkregen tenzij alle branders zijn uitgeschakeld voordat de gastoevoer kraan van de fles wordt opengedraaid.



Gebruik de achterste brander niet wanneer een van de hoofdbranders werkt.

KOOKINSTRUCTIES

Wanneer de gasbarbecue voor het eerst wordt aangestoken, zult u een geur ruiken. Dat is normaal en is maar heel tijdelijk. Het gaat om het "inbranden" van verf en smeermiddelen binnenin die werden gebruikt tijdens de productie. Dit gebeurt maar één keer. Laat de hoofdbranders ongeveer een half uur lang op de hoogste stand aan staan.

GEBRUIK VAN DE HOOFDBRANDERS: Bij het schroeien van voedsel is voorverwarming aanbevolen door alle hoofdbranders ca. 10 minuten lang in de hoge stand te plaatsen met het deksel gesloten. Voedsel dat niet lang hoeft te worden gekookt (vis, groenten), mag met het deksel open worden gebarbecued. Wanneer met het deksel gesloten wordt gekookt, krijgt u hogere, evenrediger verdeelde temperaturen die de kooktijd verminderen en het vlees gelijkmatiger bakken. Voedsel met een kooktijd van meer dan 30 minuten (bv. gebrad) kan indirect worden klaargemaakt (met de brander die tegenover het voedsel ligt). Bij het bereiden van bijzonder mager vlees zoals kippenborsten of mager varkensvlees mogen de roosters vóór de voorverwarming eerst worden ingesmeerd met olie om te voorkomen dat het vlees blijft eraan kleven. Wanneer vlees met veel vet wordt klaargemaakt, kunnen vlammen opflakkeren. Snijd het vet weg of verlaag de temperatuur om opflakking te voorkomen. Gebeurt dit toch, plaats dan het voedsel weg van de vlammen en verminder de temperatuur. Laat het deksel open.

GEBRUIK VAN DE ACHTERSTE BRANDER: Verwijder vóór gebruik het warmhoudrek. De grillroosters moeten eveneens worden verwijderd als daarmee het spit wordt gehinderd. De achterste brander is bedoeld voor gebruik met het bij de handelaar beschikbare spit. Zie de instructies i.v.m. het monteren van het spit. Verwijder voor het gebruiken van het tegengewicht de motor van het spit uit de barbecue. Plaats het spit met het klaar te maken vlees in de houders binnenin de barbecue. Het vlees gaat vanwege het gewicht met de zwaarste zijde naar beneden hangen. Span de tegengewichtarm en het gewicht aan zodat de arm naar boven wijst. Schuif het tegengewicht voor evenwicht naar binnen of naar buiten en zet het vast. Monteer de motor opnieuw op zijn plaats en begin te koken. Plaats onderaan een bord om het vet op te vangen. U kunt dit over het vlees gieten of gebruiken als saus zonder dat u er iets hoeft aan toe te voegen. U kunt het eventueel aanlengen. Om het vlees lekker sappig te houden, gebruikt u eerst de achterste brander in de hoge stand totdat het bruin wordt. Verminder vervolgens de temperatuur en kook het voedsel gaar. Houd het deksel gesloten voor een beter resultaat. Gebrad en gevogelte worden perfect bruin aan de buitenkant en blijven sappig en mals binnenin. Kip aan het spit van ca. 1,5 kg bijvoorbeeld is in de middelste tot hoge stand gaar in ongeveer anderhalf uur.

GEBRUIK VAN DE ZIJBRANDER: De zijbrander kan worden gebruikt zoals de branders bovenaan een fornuis, voor saus, soep etc. De gasbarbecue moet zodanig worden geplaatst dat de zijbrander uit de wind staat zodat hij optimaal werkt.

REINIGINGSINSTRUCTIES

Schakel de branders uit voordat u ze reinigt. Vermijd direct contact met hete oppervlakken. Maak de barbecue schoon op een plek waar reinigingsmiddelen geen terras, gazon of patio kunnen beschadigen. Gebruik geen speciaal voor fornuizen bestemde reinigingsmiddelen voor het schoonmaken van deze gasbarbecue. Reinig de grillroosters of enig ander onderdeel van de barbecue ook niet in een zelfreinigende oven. Barbecuesaus en zout kunnen corrosief zijn en tasten de onderdelen van de barbecue snel aan als deze niet regelmatig worden schoongemaakt.

ROOSTERS EN WARMHOUDREK – De roosters en het warmhoudrek maakt u bij voorkeur schoon tijdens het voorverwarmen met behulp van een zachte koperen borstel. Voor hardnekkige vlekken mag u ook staalwol gebruiken. Roestvrijstalen roosters verkleuren permanent bij normaal gebruik vanwege de hoge temperatuur van het kookoppervlak.

REINIGEN VAN DE BINNENKANT VAN DE GASBARBECUE – Verwijder de grillroosters. Verwijder met een zachte koperen borstel de losse resten van de gegoten binnenzijden en van de binnenkant van het deksel. Schuur de kookplaten af met een stopverfmes of een schraapmesje en verwijder de as met een metalen borstel. Verwijder de kookplaten en veeg de etensresten van de branders met een koperen borstel. Veeg alle zich in de barbecue bevindende resten in de afneembare lekbak. Plaats de kookplaten opnieuw op de juiste plaats (lees de montage-instructies voor de juiste oriëntatie).

LEKBAK – Schuif de lekbak uit om het schoonmaken te vergemakkelijken. De bak moet vaak worden gereinigd (om de 4 à 5 beurten) om vetophoping te voorkomen. Vet en ander overtollig braadvet komen in de lekbak onderaan de gasbarbecue terecht en worden eronder in het disposable vetkommetje opgevangen. Opgehoopt vet kan vuur vatten. Bekleed of vul de lekbak niet met aluminiumfolie of zand, omdat daarmee het vet niet ongehinderd kan weglekken. De bak moet worden schoongeschrapt met een stopverfmes of een schraapmesje en alle resten moeten in het disposable vetkommetje worden geveegd. Dit kommetje dient om de 2 à 4 weken te worden vervangen, afhankelijk van de gebruiksfrequentie. Neem voor benodigdheden contact op met uw handelaar van Napoleon-gasbarbecues.

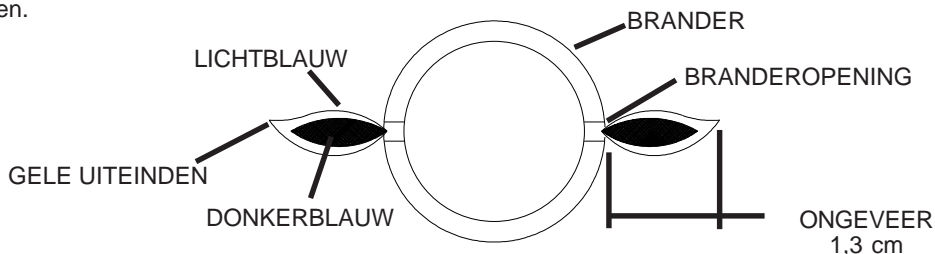
REINIGEN VAN DE BUITENKANT VAN DE GASBARBECUE – Reinig geverfde, geëmailleerde of roestvrijstalen onderdelen niet met schurende schoonmaakmiddelen. Geëmailleerde onderdelen dienen extra voorzichtig te worden gehanteerd. De aangebakken geëmailleerde afwerking lijkt op glas en schilfert wanneer men erop slaat. Om het email te retoucheren kunt u contact opnemen met uw handelaar van Napoleon-gasbarbecues. De buitenkant van de barbecue moet met lauw zeepwater worden schoongemaakt wanneer hij nog warm aanvoelt. Reinig de roestvrijstalen oppervlakken met een schoonmaakmiddel voor roestvrij staal of met een

niet-schurend product. Veeg altijd schoon met de draad mee. Staalwol maakt krassen in de afwerking en mag niet worden gebruikt. Roestvrijstalen onderdelen verkleuren (ze worden goudkleurig of bruin) wanneer ze worden opgewarmd. Dat is normaal en beïnvloedt de werking van de barbecue niet.

ONDERHOUDSINSTRUCTIES

Sluit de gastoevoer af aan de bron en schakel het apparaat uit voor iedere onderhoudsbeurt. Onderhoud mag alleen worden uitgevoerd wanneer de barbecue is afgekoeld, om mogelijke brandwonden te voorkomen. Een lektest moet jaarlijks en telkens als een gasonderdeel werd vervangen, worden uitgevoerd.

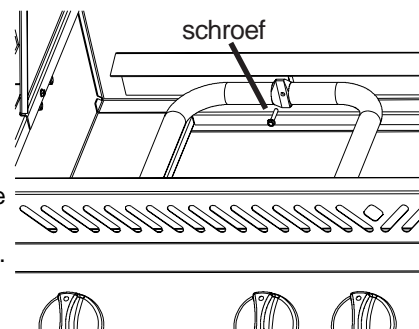
VERBRANDINGSLUCHT – REGELING – (Moet worden uitgevoerd door een erkend gasinstallateur.) De ventilatieklep werd door de fabrikant ingesteld en zou onder normale omstandigheden niet hoeven te worden afgesteld. Onder extreme omstandigheden zou afstelling noodzakelijk kunnen zijn. Wanneer de ventilatieklep juist is afgesteld, zijn de vlammen donkerblauw met lichtblauwe (en soms gele) uiteinden.



Indien de brander te weinig lucht krijgt, zijn de vlammen een beetje geel en kunnen zij roet veroorzaken. Indien de brander te veel lucht krijgt, schieten de vlammen grillig uit de brander en kunnen zij problemen veroorzaken bij het aansteken.

SLANG – Controleer op afgeschaafde, gesmolten, doorgesneden en gebarsten plekken. Gebruik de gasbarbecue niet indien de slang er zo uitziet. Laat het onderdeel vervangen door uw handelaar in gasbarbecues of door een erkend gasinstallateur.

BRANDER – De brander is vervaardigd uit dik roestvrij staal (type 304), maar vanwege de overmatige hitte en de corrosieve omgeving zal zich blauwverkleuring voordoen. Verwijder de blauwverkleuring met een koperen borstel. Ontstop verstopte openingen met een open paperclip. Maak de branderopeningen niet groter. Spinnen en insecten worden aangetrokken door de geur van propaan- en aardgas. De brander is op de ventilatieklep voorzien van een insectenscherm. Zo is de kans kleiner dat insecten in de brander nesten gaan bouwen, hoewel het probleem niet volledig kan worden geëlimineerd. Nesten of spinnenwebben doen de brander met een zachtgele of oranje vlam branden of veroorzaken brand (terugslag) ter hoogte van de ventilatieklep onder het bedieningspaneel. Indien u de brander binnenin wenst schoon te maken, moet hij eerst uit de barbecue worden gehaald. Verwijder de schroef die zich ofwel in het midden van de brander. Til de achterkant van de brander omhoog om hem te verwijderen. Maak de binnenkant van de brander schoon met een soepele voor venturibuizen bestemde borstel. Schud los afval uit de brander, door de gasinlaat. Zorg ervoor dat het insectenscherm schoon is, strak vastzit, lintvrij is en geen sporen vertoont van ander afval. Controleer ook of de ventielopeningen schoon zijn. Maak de openingen niet groter. Plaats de brander terug op zijn plaats. Controleer of de klep in de brander gaat wanneer u deze installeert. Plaats het deksel en de montageschroeven terug om de installatie af te ronden.



ALUMINIUM GIETWERK – Maak het gietwerk regelmatig schoon met lauwwater. Aluminium roest niet, maar vanwege de hoge temperaturen en de weersomstandigheden, kan zich op aluminiumoppervlakken oxidatie voordoen. Op het gietwerk ziet u dan witte vlekken. Om het opnieuw zijn oorspronkelijk uitzicht te geven, kunt u die vlekken afvegen en het gietwerk polijsten met fijn schuurpapier. Veeg het oppervlak af om afval te verwijderen en verf het met tegen hoge temperaturen bestendige, speciaal voor barbecues bestemde verf. Zorg ervoor dat dingen in de omgeving niet mee besproeid worden. Volg de aanwijzingen van de spuitbus.

PROBLEEMOPLOSSING

Probleem	Mogelijke oorzaken	Oplossing
Lage temperatuur / kleine vlam wanneer klep in hoge stand staat.	<p>Propaan – verkeerde manier van aansteken.</p> <p>Aardgas – te kleine toevoerleiding.</p> <p>Beide gassoorten – onjuiste voorverwarming.</p>	<p>Volg zorgvuldig de instructies voor aansteken op. Alle afsluiters van de gasbarbecue moeten dicht zijn wanneer de gaskraan wordt opengedraaid. Draai de gasfles langzaam open met het oog op gelijke druk. Zie de instructies i.v.m. aansteken.</p> <p>De grootte van de leiding moet overeenkomen met de installiecode.</p> <p>De barbecue dient voorverwarmd te worden met beide hoofdbranders in de hoge stand gedurende 10 à 15 minuten.</p>
Overmatig opflakkerende vlammen / warmte onevenredig verdeeld.	<p>Verkeerd geïnstalleerde kookplaten.</p> <p>Onjuiste voorverwarming.</p> <p>Te grote ophoping van vet en as op de kookplaten en in de lekbak.</p>	<p>Zorg ervoor dat de kookplaten geïnstalleerd zijn met de gaten naar voren gericht en de gleuven onderaan. Zie de montage-instructies.</p> <p>De barbecue dient voorverwarmd te worden met beide hoofdbranders in de hoge stand gedurende 10 à 15 minuten.</p> <p>Maak de kookplaten en de lekbak regelmatig schoon. Bekleed de bak niet met aluminiumfolie. Zie de reinigingsinstructies.</p>
Uit de branders komt een gele vlam en u neemt ook een gasgeur waar.	Mogelijke aanwezigheid van een spinnenweb of ander afval of verkeerde afstelling van de ventilatieklep.	Verwijder de brander en maak hem grondig schoon. Zie de algemene onderhoudsinstructies. Open de ventilatieklep een beetje, overeenkomstig de instructies voor regeling van de verbrandingslucht.
De vlammen schieten weg uit de brander, u neemt een gasgeur waar en het aansteken verloopt moeilijk.	Verkeerde afstelling van de ventilatieklep.	Sluit de ventilatieklep een beetje, overeenkomstig de instructies voor regeling van de verbrandingslucht.
De brander kan niet worden aangestoken met de ontsteker maar wel met een lucifer.	<p>Lege of verkeerd geïnstalleerde batterij.</p> <p>Losse elektrodedraad.</p> <p>Verkeerde soort ontsteker.</p> <p>Verkeerde opening aan elektrode-uiteinde.</p> <p>Van brander loskomende vlammen.</p>	<p>Vervang door AAA-batterij voor zwaar gebruik. Plaats met positieve pool naar op.</p> <p>Controleer of de elektrodedraad stevig op de klemdraadhouder aan de achterzijde van de ontsteker is gedrukt.</p> <p>In systemen met 2 vonken moet een ontsteker met 2 vonken worden gebruikt.</p> <p>Zorg ervoor dat de behuizing dicht is en dat de afstand tussen het elektrode-uiteinde en de behuizing tussen 0,3 en 0,5 cm bedraagt. De afstand kan worden geregeld door de behuizing naar binnen of buiten te buigen.</p> <p>Sluit de ventilatieklep een beetje – zie vorige probleem.</p>
Zoemende regelaar.	Normaal op warme dagen.	Dit is geen mankement. Dit wordt veroorzaakt door de interne trillingen in de regelaar en beïnvloedt niet de werking of de veiligheid van de gasbarbecue. Zoemende regelaars worden niet vervangen.
De branders steken elkaar niet aan.	Verstopte openingen aan de achterzijde van de brander.	Maak de branderopeningen schoon. Zie de onderhoudsinstructies voor branders.
De “verf” in het deksel of de kap bladdert blijkbaar af.	Vetophoping op binnenzijde.	Dit is geen mankement. De afwerking van het deksel en de kap is van email en bladdert niet af. Het afbladderen wordt veroorzaakt door verhard vet, dat in de verfachtige stukken droogt. Dit vet schilfert af. Dat kan worden voorkomen met regelmatig reinigen. Zie de reinigingsinstructies.

BESTELLEN VAN RESERVEONDERDELEN

Raadpleeg voordat u contact opneemt met de klantendienst de website van NAC (www.napoleongrills.com) voor extra informatie over reiniging, onderhoud, probleemoplossing en reserveonderdelen. Neem voor reserveonderdelen en garantieclaims direct contact op met de fabriek. U kunt de klantendienst telefonisch bereiken tussen 9 en 17 u (EST) op het nummer +1-705-725-4258 of via fax op +1-705-727-4282. Voor het verwerken van uw claim dienen wij de volgende informatie te ontvangen:

1. Model- en serienummer van het apparaat.
2. Onderdeelnummer en omschrijving.
3. Beknopte omschrijving van het probleem ('defect' volstaat niet).
4. Aankoopbewijs (fotokopie van factuur).

In bepaalde gevallen kan de vertegenwoordiger van de klantendienst u eventueel vragen de onderdelen voor inspectie te retourneren aan de fabriek, voordat reserveonderdelen worden geleverd. De onderdelen moeten franco worden verzonden naar de klantendienst met vermelding van de volgende informatie:

1. Model- en serienummer van het apparaat.
2. Beknopte omschrijving van het probleem ('defect' volstaat niet).
3. Aankoopbewijs (fotokopie van factuur).
4. Retourautorisatienummer – gekregen van de medewerker van de klantendienst.

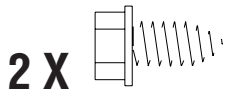
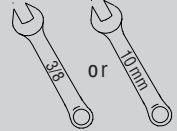
Voordat u contact opneemt met de klantendienst, moet u weten dat de volgende artikelen niet gedekt zijn door de garantie:

- transport- of makelaarskosten of uitvoerbelastingen
- loonkosten voor verwijderen en opnieuw installeren
- kosten voor bezoek van onderhoudstechnicus voor diagnosevaststelling
- verkleuring van roestvrijstalen onderdelen
- defect onderdeel vanwege gebrekkige reiniging en onvoldoende onderhoud of gebruik van verkeerde reinigingsmiddelen (reinigingsmiddel voor ovens).

STAINLESS STEEL PARTS MAY HAVE A PROTECTIVE PLASTIC COATING, REQUIRED FOR THE MANUFACTURING PROCESS. PLEASE REMOVE THIS COATING BEFORE OPERATING THE UNIT.

LES PIÈCES EN ACIER INOXYDABLE PEUVENT ÊTRE RECOUVERTES D'UNE PELLICULE DE PROTECTION, NÉCESSAIRE DURANT LE PROCÉDÉ DE FABRICATION. VOUS DEVEZ ENLEVER CETTE PELLICULE AVANT DE FAIRE FONCTIONNER L'APPAREIL.

HET KAN ZIJN DAT ROESTVRIJSTALEN ONDERDELEN BESCHERMD WORDEN MET EEN PLASTIC LAAGJE (NODIG VOOR DE PRODUCTIE). VERWIJDER DIT LAAGJE VOORDAT U HET APPARAAT IN GEBRUIK NEEMT.

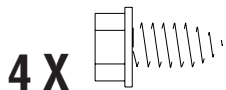
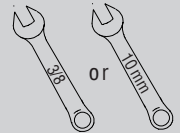
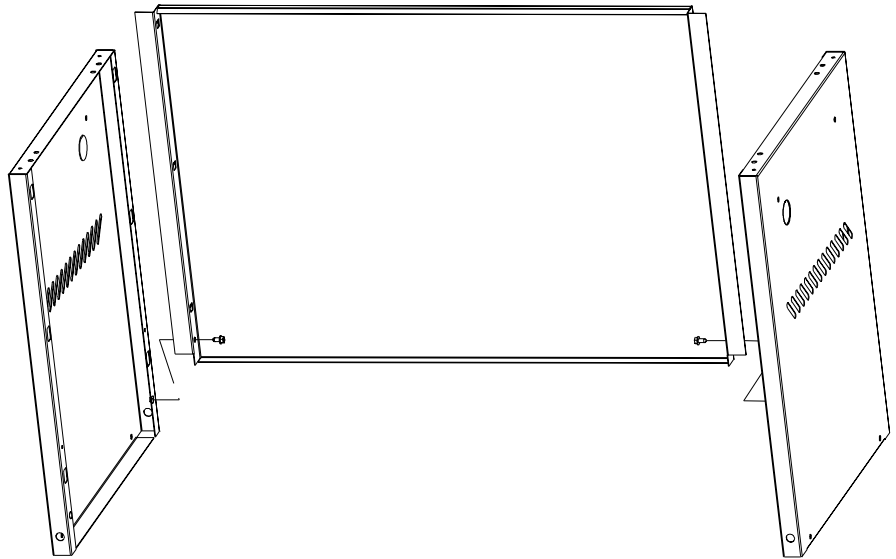


N570-0026 (#14 X 1/2")

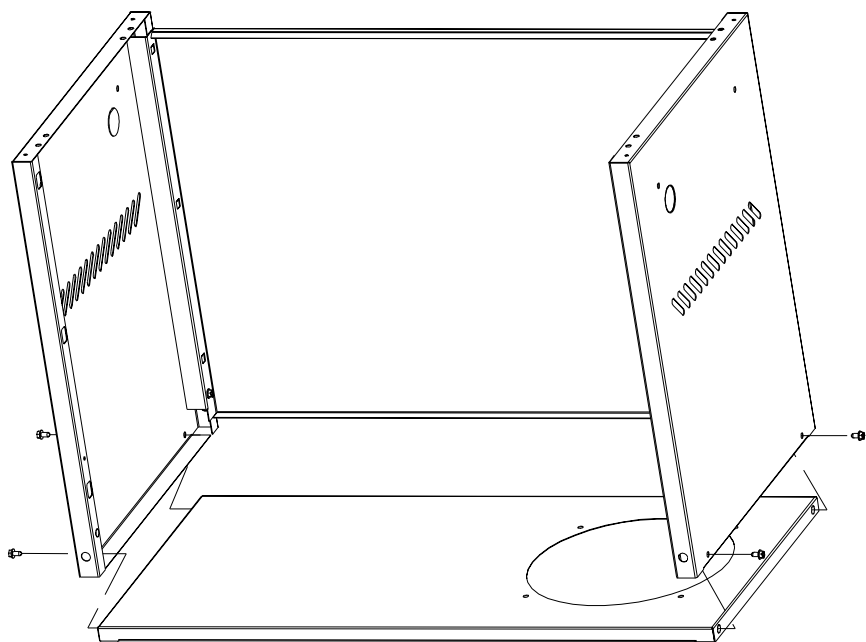
IF NECESSARY, THE CENTRE PANEL CAN BE TAPPED DOWN WITH A RUBBER Mallet.

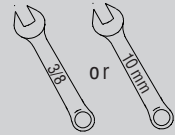
SI NÉCESSAIRE, LE PANNEAU CENTRAL PEUT ÊTRE ENFONCÉ AVEC UN MAILLET EN CAOUTCHOUC.

HET MIDDELSTE PANEEL KAN INDIEN NODIG MET EEN RUBBEREN HAMER WORDEN INGESLAGEN.

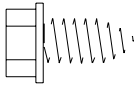


N570-0026 (#14 X 1/2")





4 X

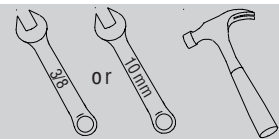
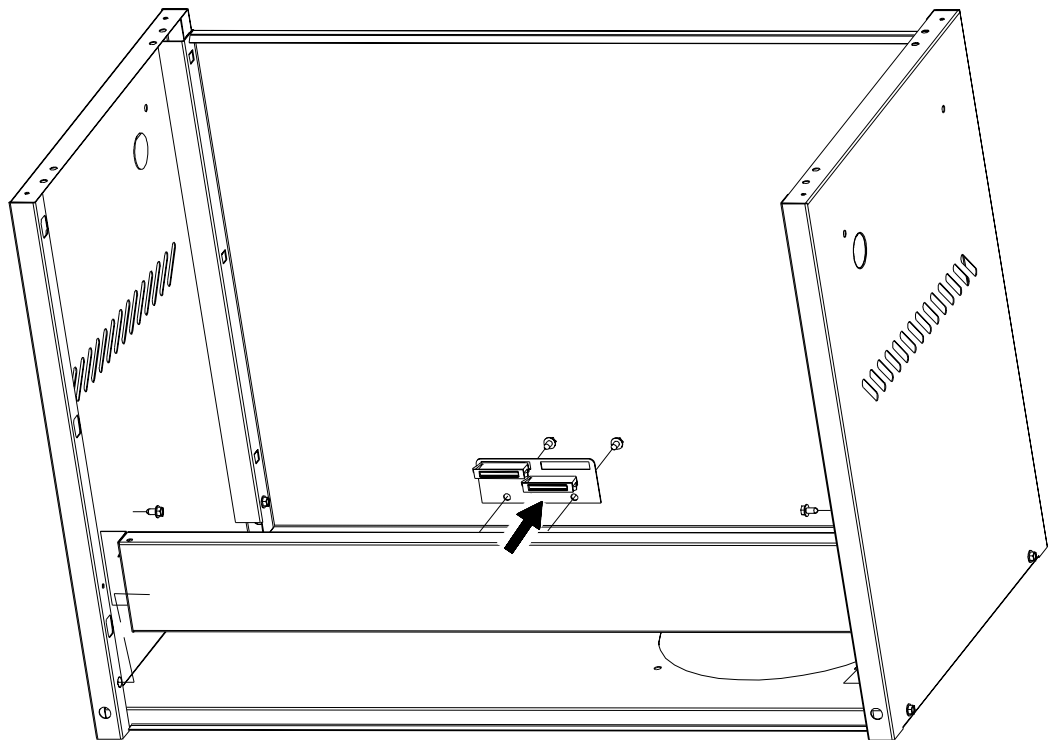


N570-0026 (#14 X 1/2")

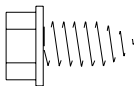
IF NECESSARY, THE CROSS BEAM CAN BE TAPPED DOWN WITH A RUBBER Mallet.

SI NÉCESSAIRE, LE BARRE DE TRAVERSE PEUT ÊTRE ENFONCÉ AVEC UN MAILLET EN CAOUTCHOUC.

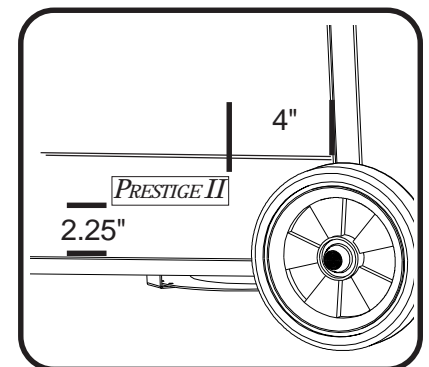
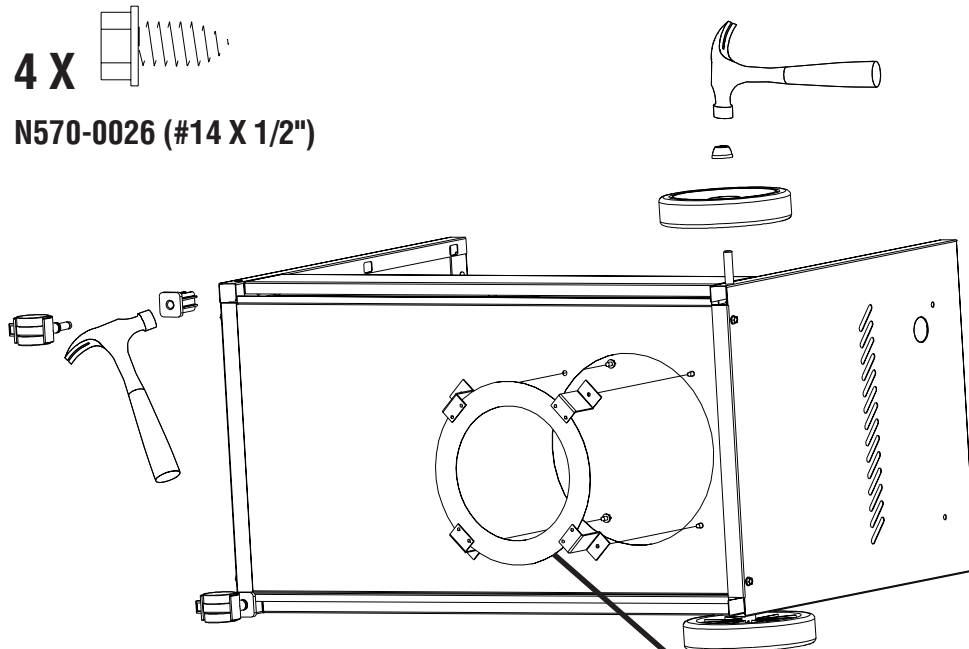
HET DWARSBALK KAN INDIEN NODIG MET EEN RUBBEREN HAMER WORDEN INGESLAGEN.



4 X



N570-0026 (#14 X 1/2")

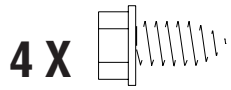
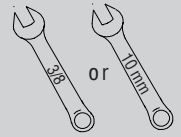


NOT REQUIRED FOR UK UNITS

NIET VEREIST VOOR BRITSE MODELLEN.

NON REQUIS POUR LES APPAREILS DU ROYAUME-UNI

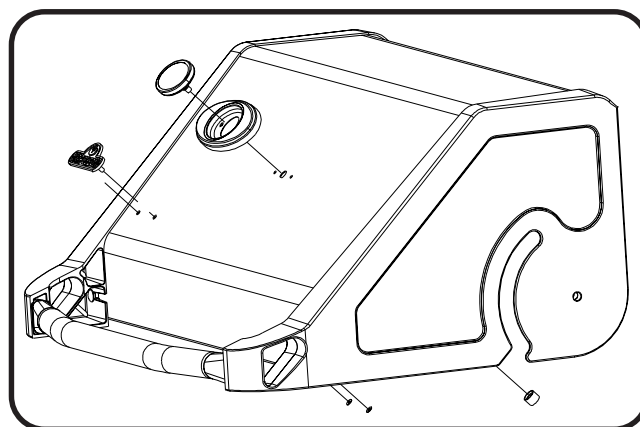
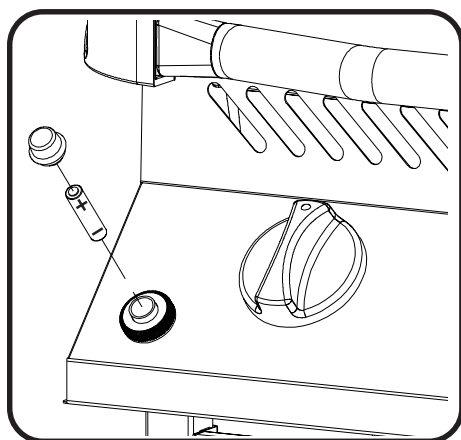
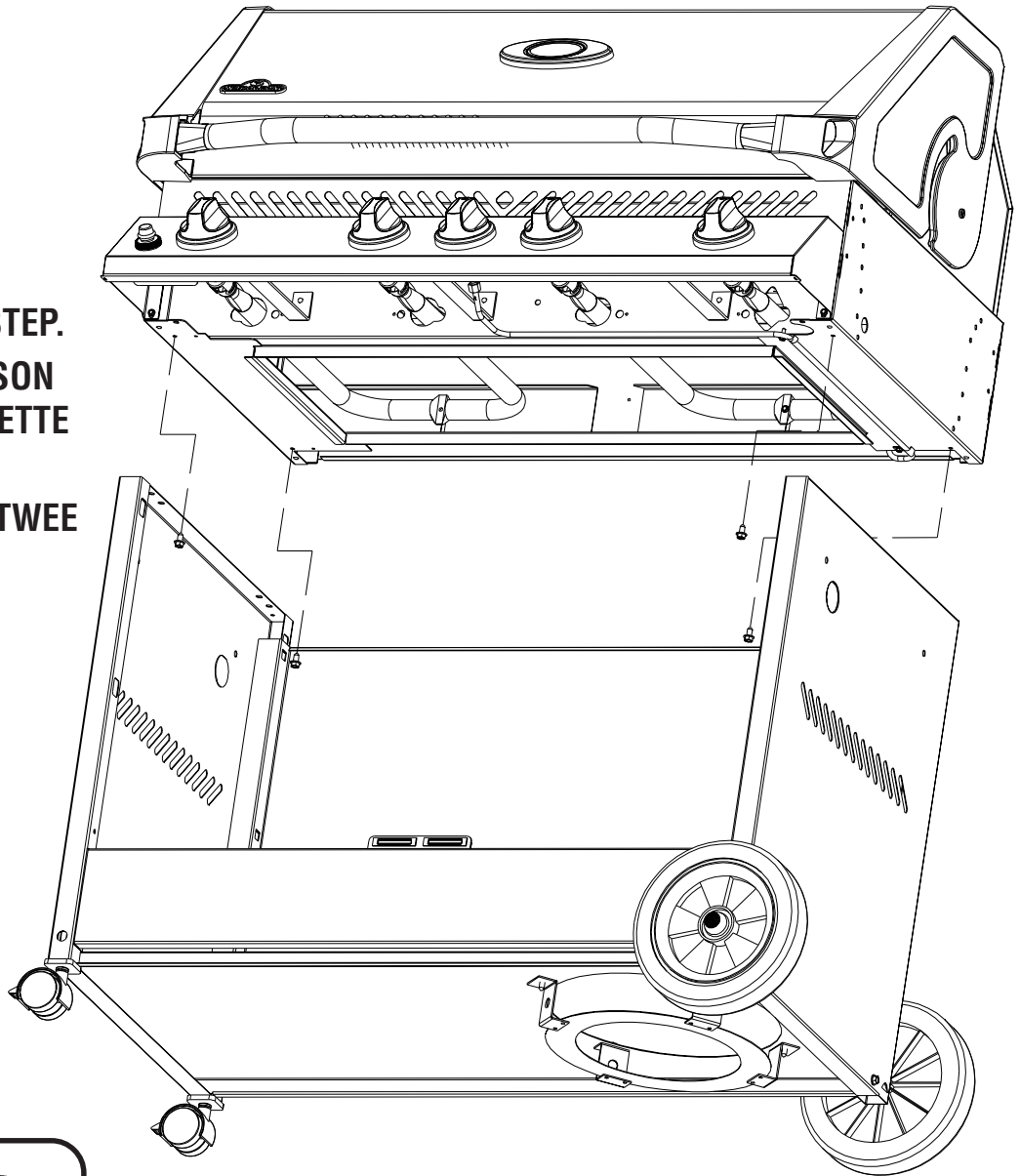


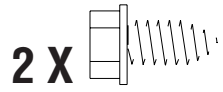
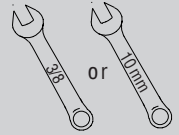


N570-0026 (#14 X 1/2")

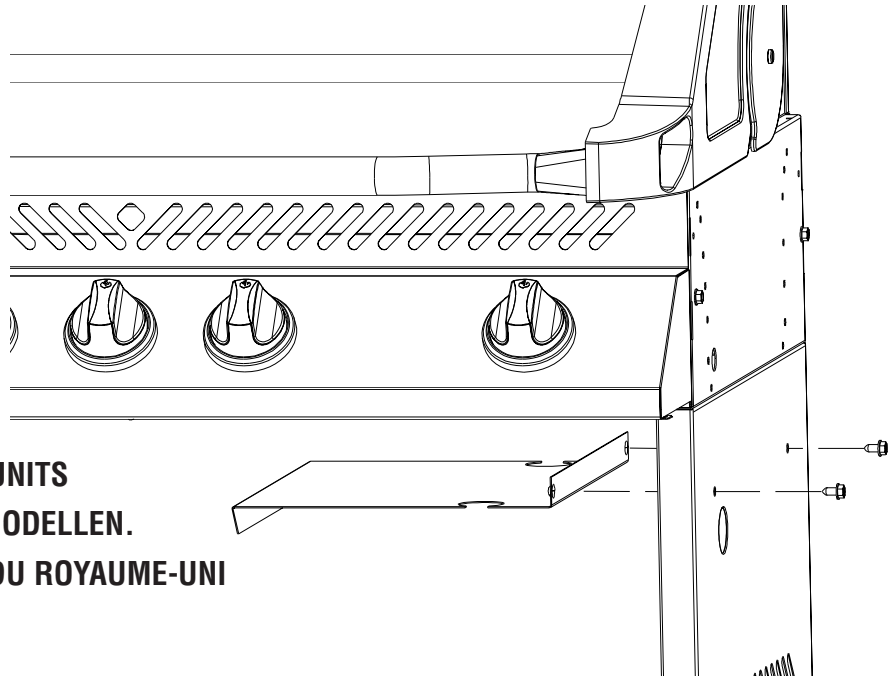
**TWO PEOPLE ARE
REQUIRED FOR THIS STEP.
DEUX PERSONNES SON
NÉCESSAIRES POUR CETTE
ÉTAPE.**

**VOOR DEZE STAP ZIJN TWEE
MENSEN NODIG.**





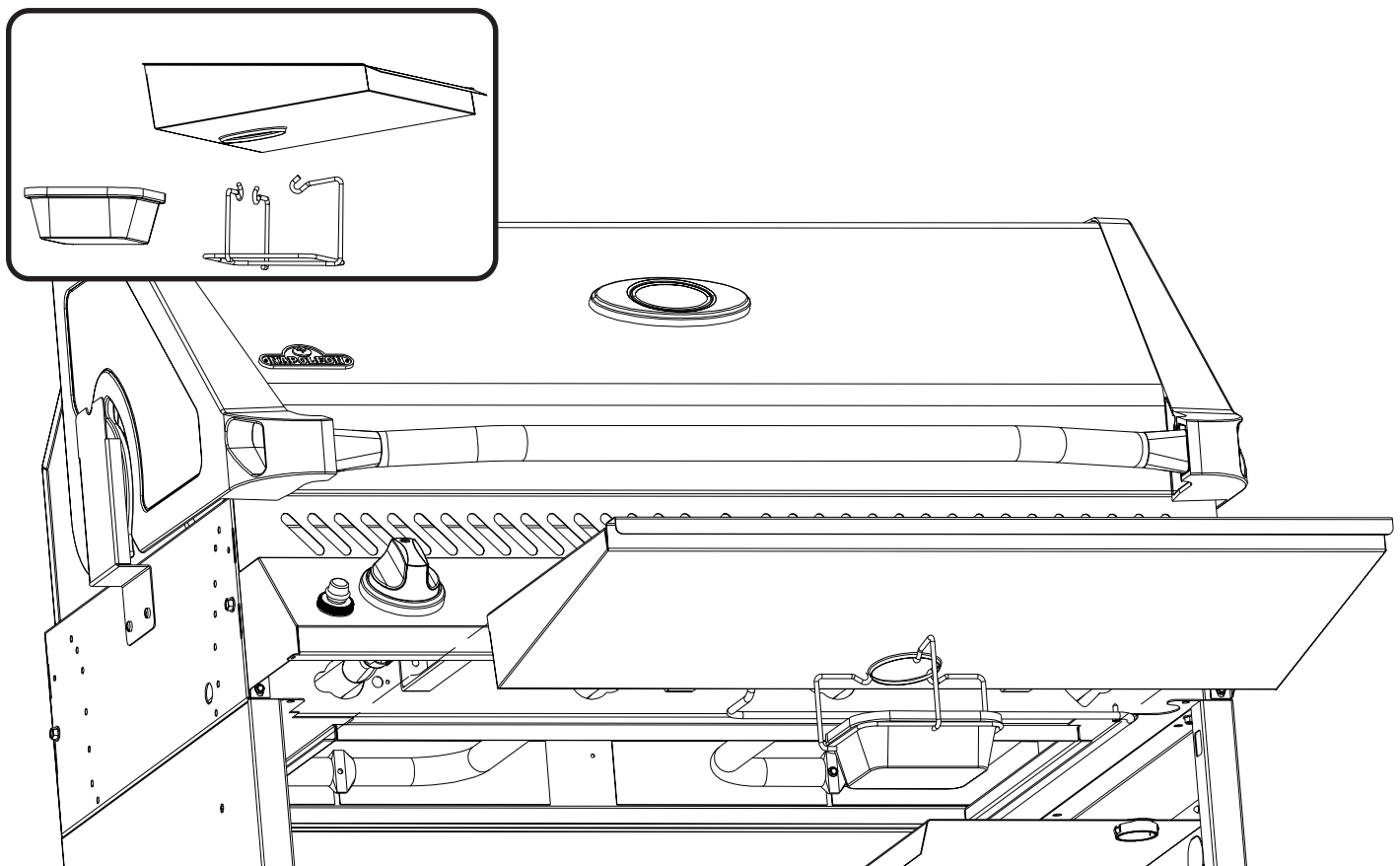
2 X
N570-0026 (#14 X 1/2")

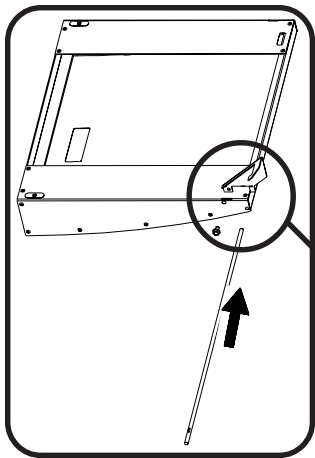
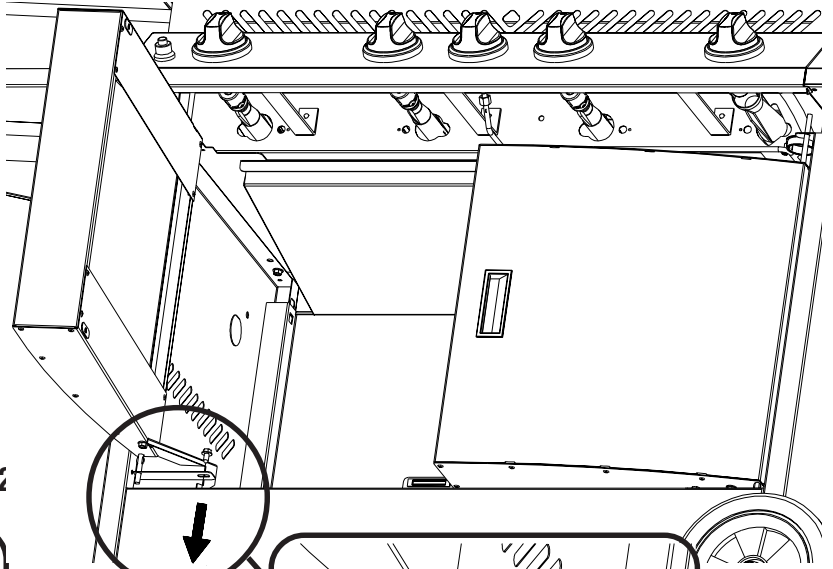
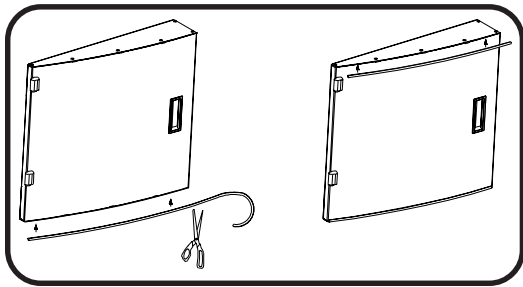
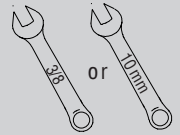


NOT REQUIRED FOR UK UNITS

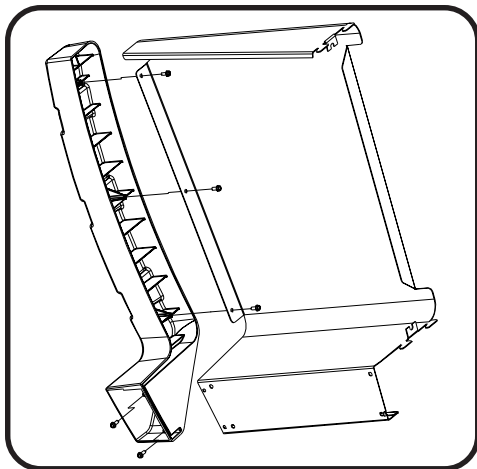
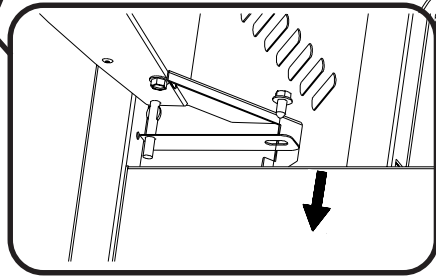
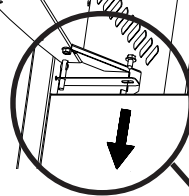
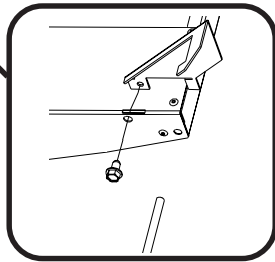
NIET VEREIST VOOR BRITSE MODELLEN.

NON REQUIS POUR LES APPAREILS DU ROYAUME-UNI

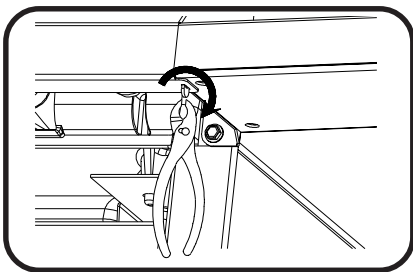
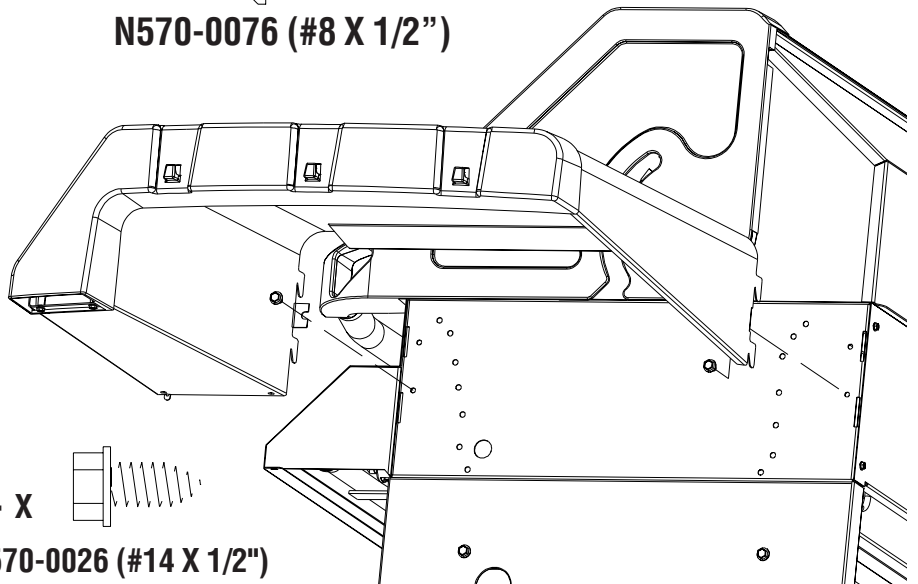




2 X
N570-0026 (#14 X 1/2")

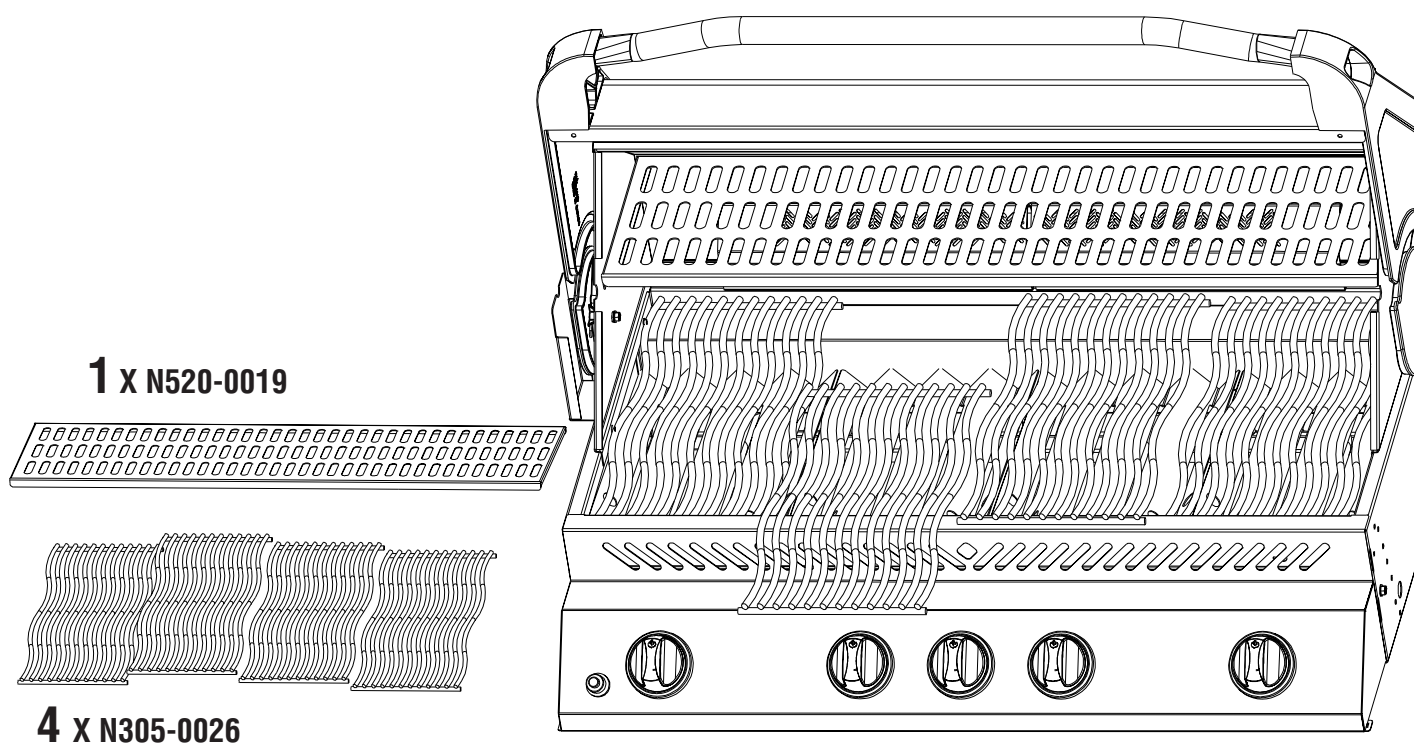
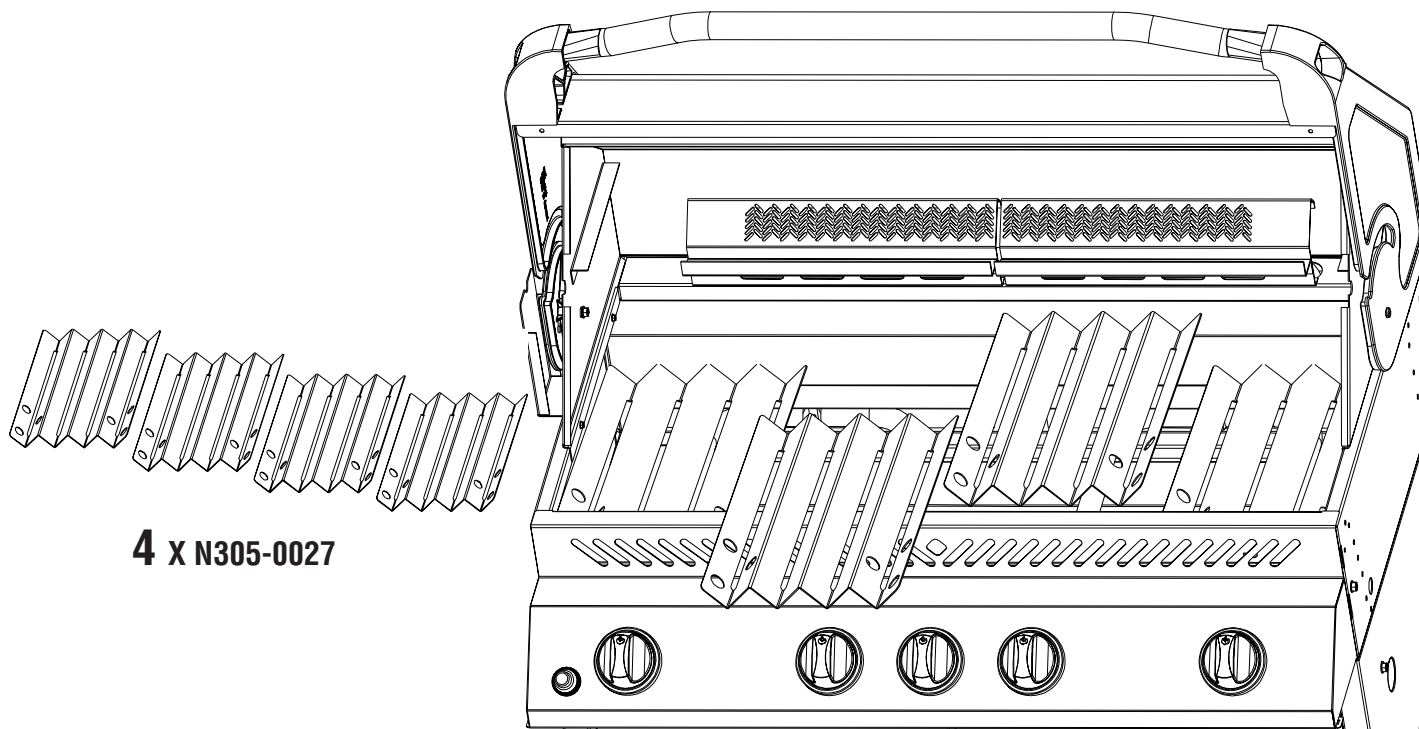


10 X
N570-0076 (#8 X 1/2")

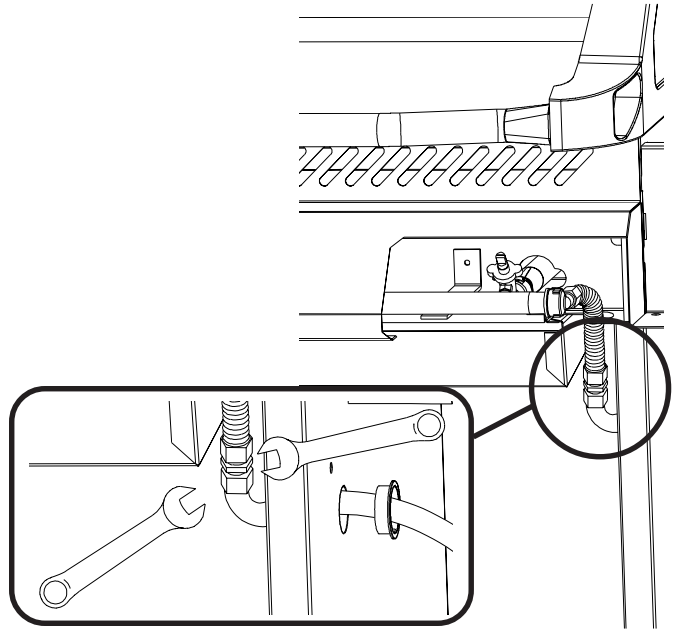
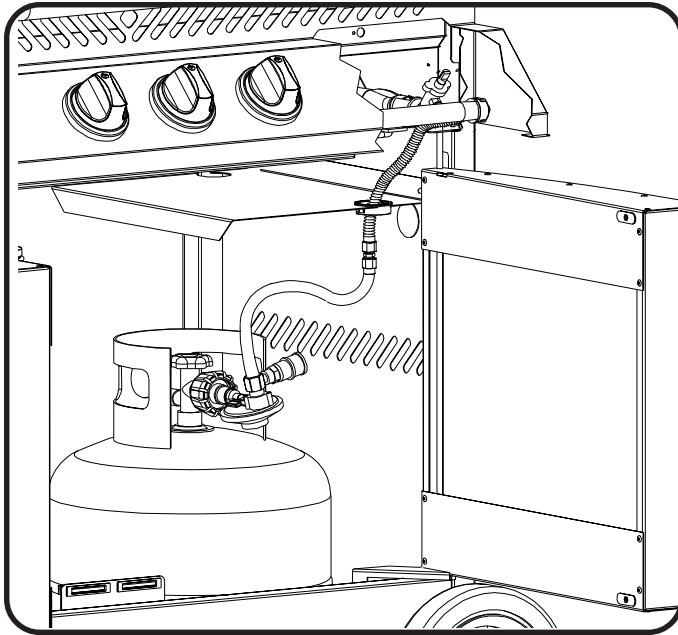
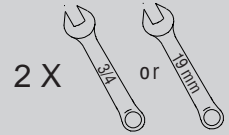


4 X
N570-0026 (#14 X 1/2")

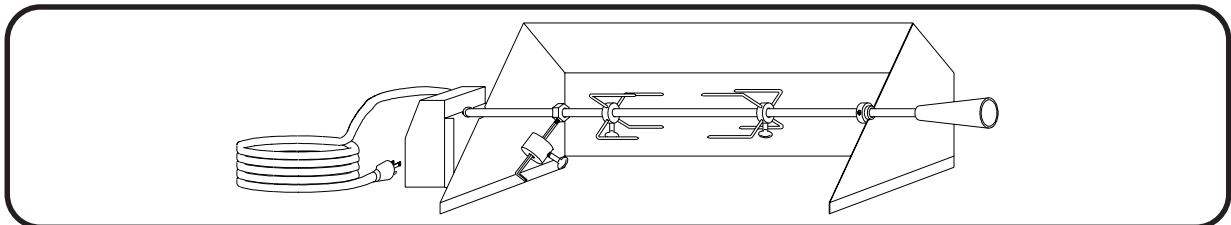
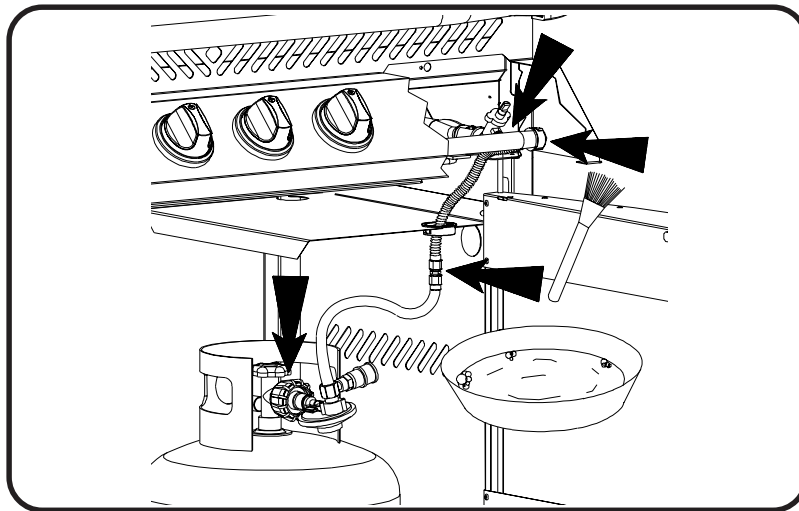
9.



TANK LOCATED OUTSIDE ENCLOSURE FOR UK UNITS.
OP BRITSE MODELLEN BEVINDT DE FLES ZICH BUITEN DE BEHUIZING
BONBONNE SITUÉE À L'EXTÉRIEUR DU CHARIOT POUR LES APPAREILS DU ROYAUME-UNI



LEAK TESTING
TEST DE FUITES
LEKTEST



Item	Part #	Description	PT600
1	n135-0020p	left side lid casting / moulage gauche du couvercle / gietw erk deksel, linkerzijde	x
2	w 385-0045	NAPOLEON logo / logo NAPOLEON / NAPOLEON - logo	x
	w 450-0005	logo spring clips / écrous à ressort pour logo / borgveren logo	x
	n510-0002	black silicone lid bumper / pare-chocs du couvercle (silicone noir) / zw arte siliconen stootrand deksel	x
3	n685-0003	temperature gauge / jauge de température / temperatuurmeter	x
3a	n051-0002	temperature gauge bezel / monture de mesure de la température / de vating van de temperatuurmaat	x
4	n335-0025	stainless steel lid insert / couvercle en acier inoxydable / roestvrijstalen dekselinzetstuk	x
5	n325-0030	lid handle / poignée du couvercle / handgreep deksel	x
6	n135-0021p	right side lid casting / moulage droite du couvercle / gietw erk deksel, rechterzijde	x
7	n570-0015	lid pivot screw / écrous du pivot / scharnierschroef deksel	x
8	n010-0178k	hood assembly / ensemble du couvercle / kap	x
9	n570-0008	#8 x 1/2" screw / vis / schroef	x
10	n570-0024	1/4-20 x 1/2" screw / vis / schroef	x
11	n735-0002	1/4" lockwasher / rondelle à ressort / borgring	x
12	n520-0019	w arming rack / grille rechaud / w armhoudrek	x
13	n305-0026	cooking grids - stainless rod / grille de cuisson - en acier inoxydable / grillroosters - roestvrijstalen stang	x
14	n305-0027	sear plate / plaque de brûleur / kookplaat	x
15	n590-0141	stainless steel side shelf - right / tablette latérale en acier inoxydable droite / roestvrijstalen - zijrek rechter	x
16	n120-0007	LUXIDIO side shelf endcap right / embout en LUXIDIO de la tablette latérale droite / endcap LUXIDIO rek rechterzijde	x
17	n570-0076	#8 x 1/2" screw / vis / schroef	x
18	n590-0140	stainless steel side shelf - left / tablette latérale en acier inoxydable gauche / roestvrijstalen - zijrek linker	x
19	n120-0006	LUXIDIO side shelf endcap left / embout en LUXIDIO de la tablette latérale gauche / endcap LUXIDIO rek linkerzijde	x
21	n010-0184	back burner housing - left (infra-red) / boîtier du brûleur arrière - gauche (infra-rouge) / behuizing achterste brander - links (infrarood)	x
22	n010-0185	back burner housing - right (infra-red) / boîtier du brûleur arrière - droite (infra-rouge) / behuizing achterste brander - recht (infrarood)	x
23	n100-0015	back burner / brûleur arrière / achterste brander	x
24	n200-0019	burner grease shield / plaque de brûleur / afscherming tegen vet, brander	x
25	n100-0014	main burner / brûleur principal / hoofdbrander	x
26	n570-0021	#8 x 1" screw / vis / schroef	x
27	n475-0046	rotisserie mount / support de la rôtissoire / spit, montage	x
28	n570-0019	10-24 x 1/4" screw / vis / schroef	x
29	n450-0009	10-24 nut / écrou / moer	x
30	n010-0423	base / cuve / basis	x
31	n710-0043	drippan / tiroir d'égouttement / lekbak	x
32	n160-0006	grease tray holder / support du récipient à graisse / houder vetkommetje	x
33	n370-0052	replacement grease trays (5 pieces) / ensemble de récipients à graisse / reservevetkommetjes (5 stuks)	x
34	n200-0018p	back cover / couvercle arrière / deksel achteraan	x
	n385-0025	rating plate / plaque d'homologation / kenplaat	x
35	n475-00142s	control panel / panneau de contrôle / controlepaneel	x
36	n380-0009	control knob, main burner / bouton de contrôle principal / bedieningsknop, hoofdbrander	x
37	n630-0003	bezel retaining spring / ressort de retenue de monture / vating die de lente behoudt	x
38	n050-0001	control knob bezel / monture de bouton de commande / de vating van de controleknop	x
39	n255-0001	90 degree elbow (3/8 F to 1/2 FP) / coude degrés (3/8 F to 1/2 FP) / elleboogstuk (90 graden)	x
40	n530-0012	gas supply hose/regulator - UK / tuyau d'alimentation en gaz/regulateur UK / gastoevoerslang/regelaar UK	x
	n345-0008	gas supply hose - NL / tuyau d'alimentation en gaz NL / gastoevoerslang NL	x
	n345-0006	gas supply hose - FR / tuyau d'alimentation en gaz FR / gastoevoerslang FR	x
	n345-0004	gas supply hose - DE / tuyau d'alimentation en gaz DE / gastoevoerslang DE	x
42	n432-0013	manifold tube c/w brackets / tuyau collecteur avec fixations / buis verdeelstuk met beugels	x
43	n725-0007	rear burner valve / soupape brûleur arrière / klep hoofdbrander	p
	n255-0006	rear burner comp. fitting - valve end / brûleur arrière complet raccord de soupape / achterste brander, voll. fitting - uiteinde klep	x
	n720-0045	rear burner supply tube / tuyau d'alimentation brûleur arrière / toevoerbuis achterste brander	x

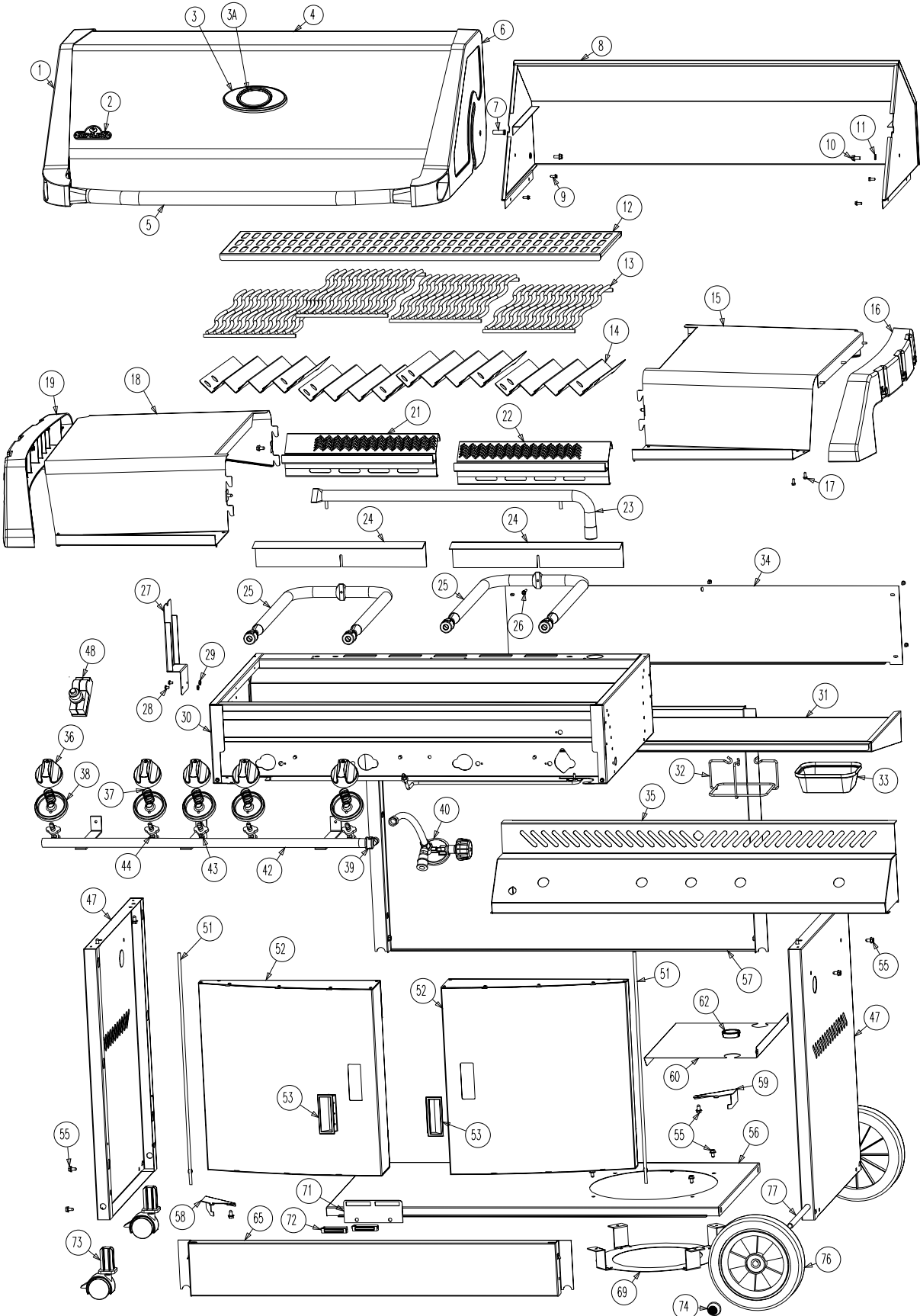
Item	Part #	Description	PT600
	n455-0002	#56 rear burner orifice (30 mbar) / bec d'orifice #56 brûleur arrière (30 mbar) / nr. 56 opening achterste brander (30 mbar)	p
	n455-0042	#59 rear burner orifice (50 mbar) / bec d'orifice #59 brûleur arrière (50 mbar) / nr. 59 opening achterste brander (50 mbar)	p
44	n725-0009	main burner valve / soupape brûleur principal / klep hoofdblander	p
	n455-0022	#63 main burner orifice (30 mbar) / bec d'orifice #63 brûleur principal (30 mbar) / #63 opening hoofdblander (30 mbar)	p
	n455-0023	#65 main burner orifice (50 mbar) / bec d'orifice #65 brûleur principal (50 mbar) / #65 opening hoofdblander (50 mbar)	p
47	n475-0128p	left side cart enclosure / panneau gauche pour chariot / karbehuizing, linkerzijde	x
48	n357-0015	electronic ignition, 3-spark / allumeur électronique - 3 étincelles / elektronische ontsteking - 3 vonk	x
	n240-0016	main burner electrode left / électrode du brûleur principal gauche / elektrode hoofdblander links	x
	n240-0021	main burner electrode right / électrode du brûleur principal droite / elektrode hoofdblander recht	x
	n240-0001	rear burner electrode / électrode du brûleur arrière / elektrode achterste brander	x
	n350-0054	collector box - main burner / boîte du collecteur du brûleur principal / behuizing	x
51	n555-0012	door pivot rod / tige-pivot de porte / scharnierstang deur	x
52	n010-0426	cart door assembly / ensemble de porte pour chariot / deur karretje	x
53	n325-0016	snap-in door handle / poignée de porte à pression / inklikbare deurhandgreep	x
55	n570-0026	#14 x 1/2" screw / vis / schroef	x
56a	n590-0126p	bottom shelf - tank / tablettes inférieur - bouteille / onderste rek - gasfles	p
56b	n590-0125p	bottom shelf -solid / tablettes inférieur / onderste rek - vast	n
57	n475-0143p	rear cart panel / panneau arrière pour chariot / achterste paneel - kar	x
58	n080-0130p	door stop bracket - left / support d'arrêt de porte - gauche / beugel deurstuiter - links	x
59	n080-0166p	door stop bracket - right / support d'arrêt de porte - droite / beugel deurstuiter -rechts	x
60	n585-0025p	heat shield - except England / pare-chaleur / hittedschild - behalve Engeland	x
62	n105-0002	snap bushing / bague à pression / bus klikverbinding	x
65	n525-0008p	cross beam/ barre de traverse / dwarsbalk	x
69	n010-0360p	tank ring support - except England / support de la bouteille / steun flesring - behalve Engeland	p
71	n080-0165p	magnet bracket / support à aimant / beugel, magneet	x
72	n430-0002	magnetic catch / loquet magnétique / magnetische sluiting	x
73	n370-0263	caster assembly - each / ensemble de roulettes (unité) / wieltjes - elk	x
74	n450-0023	axle cap / enjoliveur / asdop	x
76	n745-0006	wheel - each / roue (unité) / wiel - elk	x
77	n015-0004	axle / essieu / as	x
	n020-0114	main assembly baggie / principal sac d'accessories pour le montage / hoofdconstructie - zakje	x
	n370-0339	rotisserie kit / ensemble de la rôtissoire / spit	x
	n555-0008	rotisserie spit / tige de rôtissoire / spit	x
	n435-0004	rotisserie motor DE/FR/NL / moteur de rôtissoire DE/FR/NL / rotisserie motor DE/FR/NL	x
	n435-0003	rotisserie motor - UK / moteur de rôtissoire UK / rotisserie motor UK	x
	n200-0020-1	vinyl cover / housse en vinyle / vinyl afdekhoes	ac
	n710-0001	stainless steel griddle / plaque de cuisson en acier inoxydable / roestvrijstalen kookplaat	ac
	n003-0258	charcoal tray / support à charbon / bakje houtskool	ac

x - standard
x - compris
x - standaard

p - propane/butane units only
n - natural gas units only
ac - accessory

p - appareils propane/butane seulement
n - appareils gaz naturel seulement
ac - accessoires

p - alleen op propaan/butaan werkende apparaten
n - alleen op aardgas werkende apparaten
ac - accessoire



NAPOLEON APPLIANCE CORPORATION ACCESSORIES / PARTS ORDER FORM

FAX TO: 1-705-727-4282

PLEASE PRINT CLEARLY

CUSTOMER NAME: _____

DATE: _____

ADDRESS: _____

MODEL : _____

SERIAL : _____

TELEPHONE: _____

VISA OR MASTERCARD : _____

EXPIRY DATE: _____

QUANTITY	PRODUCT NUMBER	DESCRIPTION

TAXES SHIPPING CHARGES MAY APPLY

Free Manuals Download Website

<http://myh66.com>

<http://usermanuals.us>

<http://www.somanuals.com>

<http://www.4manuals.cc>

<http://www.manual-lib.com>

<http://www.404manual.com>

<http://www.luxmanual.com>

<http://aubethermostatmanual.com>

Golf course search by state

<http://golfingnear.com>

Email search by domain

<http://emailbydomain.com>

Auto manuals search

<http://auto.somanuals.com>

TV manuals search

<http://tv.somanuals.com>