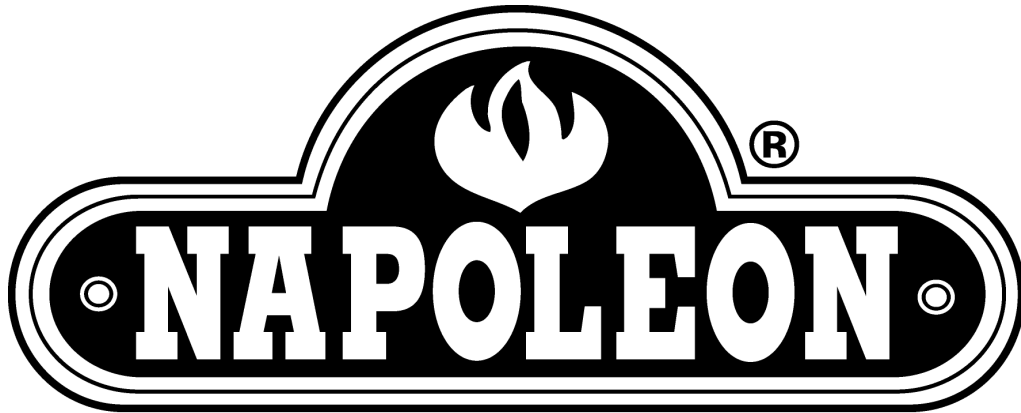
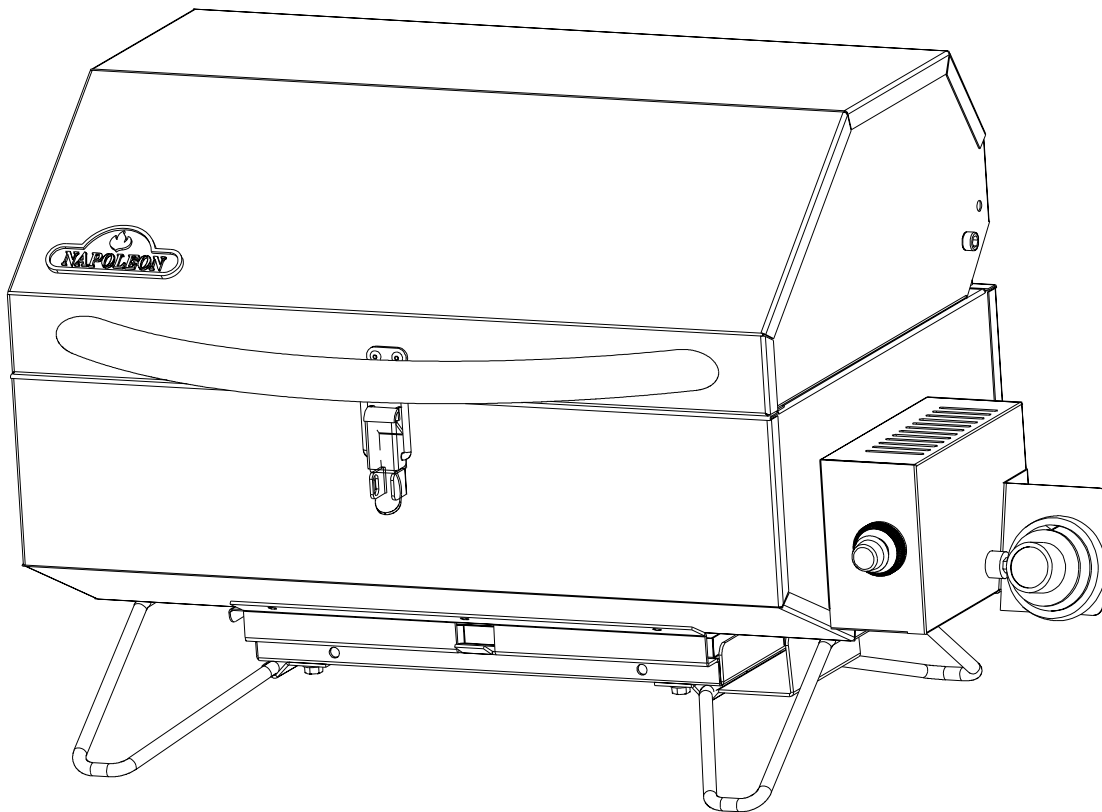


SERIAL / SÉRIE# _____



GOURMET GRILLS

Award Winning Products



PTSS215



NAPOLEON APPLIANCE CORP., 214 BAYVIEW DR., BARRIE,
ONTARIO, CANADA L4N 4Y8 (705)726-4278, FAX (705)725-2564
EMAIL/COURRIEL: care@nac.on.ca WEB SITE/SITE WEB: www.napoleongrills.com



RETAIN THIS MANUAL FOR FUTURE REFERENCE
VEUILLEZ CONSERVER CE MANUEL POUR CONSULTATION ULTÉRIEURE

N415-0110/JAN22/07



The PTSS215 has been designed with mobility in mind. With collapsable legs, the PTSS215 can be set up on any flat surface. The legs fold out and lock into place, folding back into a locked position when on the go or used with any of our mounting options (see illustrated diagrams on mounting options and accessories).

All NAPOLEON gas grills are manufactured under the strict Standard of the world recognized ISO 9001-2000 Quality Assurance Certificate.

NAPOLEON products are designed with superior components and materials, and are assembled by trained craftsmen who take great pride in their work. The burner and valve assembly are leaktested and test-fired at a quality test station, and thoroughly inspected by a qualified technician before packaging and shipping to ensure that you, the customer, receive the quality product you expect from NAPOLEON.



NAPOLEON GAS GRILL PRESIDENT'S LIMITED LIFETIME WARRANTY

NAPOLEON warrants the following materials and workmanship in your new NAPOLEON gas grill against defects for as long as you own the gas grill. This covers: stainless steel housings, stainless steel burners, stainless steel rod cooking grids, and stainless steel lids. Subject to the following conditions. During the first ten years NAPOLEON will provide replacement parts at our option free of charge. From the eleventh year to lifetime NAPOLEON will provide replacement parts at 50% of the current retail price.

Components such as stainless steel sear plates, ceramic infra-red burners (excluding screens), and igniter (excluding batteries) are covered and NAPOLEON will provide parts free of charge during the first three years of the limited warranty.

Components such as regulator, warming rack, hoses and connectors, fasteners and accessories are covered and NAPOLEON will provide parts free of charge during the first year of the limited warranty.

NAPOLEON shall not be liable for any transportation charges, labour costs or export duties.

CONDITIONS AND LIMITATIONS

"NAPOLEON warrants its products against manufacturing defects to the original purchaser only (ie., the individual or legal entity (registered customer) whose name appears on the warranty registration card filed with NAPOLEON), provided that the purchase was made through an authorized NAPOLEON dealer and is subject to the following conditions and limitations:"

This factory warranty is non-transferable and may not be extended what-so-ever by any of our representatives.

The gas grill must be installed by a licenced, authorized service technician or contractor. Installation must be done in accordance with the installation instructions included with the product and all local and national building and fire codes.

This limited warranty does not cover damages caused by misuse, lack of maintenance, grease fires, hostile environments, accident, alterations, abuse or neglect and parts installed from other manufacturers will nullify this warranty.

This limited warranty further does not cover any scratches, dents, painted finishes, corrosion or discolouring by heat, abrasive and chemical cleaners, nor chipping on porcelain enamel parts, nor any components used in the installation of the gas grill.

Should deterioration of parts occur to the degree of non-performance within the duration of the warranted coverage, a replacement part will be provided.

In the first year only, this warranty extends to the replacement of warranted parts which are defective in material or workmanship provided that the product has been operated in accordance with the operation instructions and under normal conditions.

After the first year, with respect to this President's Limited Lifetime Warranty NAPOLEON may, at its discretion, fully discharge all obligations with respect to this warranty by refunding to the original warranted purchaser the wholesale price of any warranted but defective part(s).

NAPOLEON will not be responsible for the installation, labour or any other costs or expenses related to the re-installation of a warranted part, and such expenses are not covered by this warranty.

Notwithstanding any provision contained in this President's Limited Lifetime Warranty NAPOLEON's responsibility under this warranty is defined as above and it shall not in any event extend to any incidental, consequential, or indirect damages.

This warranty defines the obligation and liability of NAPOLEON with respect to the NAPOLEON gas grill and any other warranties expressed or implied with respect to this product, its components or accessories are excluded.

NAPOLEON neither assumes, nor authorizes any third party to assume, on its behalf, any other liabilities with respect to the sale of this product. NAPOLEON will not be responsible for: over firing, blow outs caused by environmental conditions such as strong winds, or inadequate ventilation,

Any damages to the gas grill due to weather damage, hail, rough handling, damaging chemicals or cleaners will not be the responsibility of NAPOLEON.

The bill of sale or copy will be required together with a serial number and a model number when making any warranty claims from NAPOLEON. The warranty registration card must be returned within fourteen days to register the warranty or you can register on-line at www.napoleongrills.com.

NAPOLEON reserves the right to have its representative inspect any product or part prior to honouring any warranty claim.

NAPOLEON shall not be liable for any transportation charges, labour costs, or export duties.

WARNING

Do not try to light this appliance without reading "LIGHTING" instructions section of this manual.

FOR YOUR SAFETY DO NOT STORE OR USE GASOLINE OR OTHER FLAMMABLE VAPOURS AND LIQUIDS IN THE VICINITY OF THIS OR ANY OTHER APPLIANCE. AN LP CYLINDER NOT CONNECTED FOR USE MUST NOT BE STORED IN THE VICINITY OF THIS OR ANY OTHER APPLIANCE. IF THE INFORMATION IN THESE INSTRUCTIONS IS NOT FOLLOWED EXACTLY, A FIRE OR EXPLOSION MAY RESULT, CAUSING PROPERTY DAMAGE, PERSONAL INJURY OR DEATH.

WHAT TO DO IF YOU SMELL GAS:

- Turn off main gas supply.
- Extinguish any open flame.
- Open lid.
- Immediately call your gas supplier, or your fire department if odour continues.

SAFE OPERATING PRACTICES

- This gas grill must only be used outdoors in a well-ventilated space and must not be used inside a building, garage or any other enclosed area.
- Keep any electrical supply cord and fuel supply hose away from any heated surfaces.
- Inspect the fuel supply hose before each use. If there is evidence of excessive abrasion or wear or the hose is cut, it must be replaced, prior to using the gas grill, with a replacement hose assembly specified by the manufacturer.
- When the propane cylinder is not disconnected from the appliance, the gas grill and cylinder must be stored outdoors in a well ventilated space.
- Do not locate in windy settings. High winds adversely affect the cooking performance of the gas grill.
- This gas grill is designed for L.P. only.
- Under no circumstances should this gas grill be modified.
- Gas must be turned off at the propane cylinder when the gas grill is
- Adults and especially children should be alerted to the hazards of high surface temperatures. Young children should be supervised near the gas grill.
- When the gas grill is to be stored indoors, the connection between the propane cylinder and the gas grill must be disconnected and the cylinder removed and stored outdoors in a well ventilated space out of reach of children. Disconnected cylinders must not be stored in a building, garage or any other enclosed area.
- This gas grill is designed for outdoor use only.
- Due to the intense heat generated by the infrared burner system, cooking, pre-heating and lighting your grill must only be done with the lid open. If these instructions are ignored there is a risk of flash back (a fire within the burner tube). Damage caused by failure to follow these instructions is not covered by your grill warranty.
- The lid may only be closed when the grill is not in use.

CAUTION

During unpacking and assembly it is recommended that you wear work gloves and safety glasses for your protection. Although we make every effort to make the assembly process as problem free and safe as possible, it is characteristic of fabricated steel parts that the edges and corners may be sharp and can cause cuts if handled incorrectly.

GENERAL INFORMATION

This gas barbecue is certified under Canadian and American national standards, CSA 1.8 - 2002 and ANSI Z83.11 - 2002 respectively for outdoor gas grills, with references to ANSI Z21.57 - 2001, CSA 1.16 M79 (r1996), NFPA 302, CFR title 33, ANSI Z21.89 - 2002, ANSI Z21.72b - 2002, and CSA 11.2b - 2002 and should be installed to conform with local codes. In absence of local codes, install to the current National Fuel Gas Code CAN/CGA-B149.1 or ANSI Z223.1/NFPA 54, natural gas and propane installation code.

Use only the pressure regulator provided with this barbecue. Replacement pressure regulators must be supplied by or specified by the manufacturer. The regulator supplies a pressure of 22 inches water column to the gas grill and has a female CGA#600 type fitting. **To install the regulator, screw it into the threaded hole on the right side of the grill. Tube burners may have to be pushed upwards slightly from underneath to ensure that the orifice is aligned with the opening in the burner.** 1 lb disposable cylinders to be used with this unit must be equipped with a male CGA #600 type connection. This cylinder has a positive seating connection, which will not allow gas flow until a positive seal has been achieved. **To install the cylinder simply screw it into the regulator - tighten hand tight.**

OPTIONAL SUPPLY HOSE INSTRUCTIONS: An optional hose is available from your Napoleon Dealer that allows the grill to be connected to a 20 lb (9.1 kg) cylinder. A dented or rusted cylinder may be hazardous and should be checked by your propane supplier. Never use a cylinder with a damaged valve. Use only a propane supply cylinder constructed and marked in accordance with the specifications for LP-gas cylinders of the Canadian Transport Commission (CTC) or the US Department of Transportation (DOT). The propane cylinder must be provided with a shut-off valve terminating in a propane cylinder valve type QCC1, and a safety relief device having direct communication with the vapour space of the cylinder. The cylinder supply system must be arranged for vapour withdrawal and the cylinder shall include a collar to protect the cylinder valve. The cylinder shall incorporate a listed OPD (overfill protection device). **To use the hose, connect it (note the the connection to the 20 lb cylinder is a left hand thread) between the tank valve and the regulator on the grill. These connections should be tightened hand tight, and leak tested when performing a leak test. Ensure that the cylinder valve is turned off whenever the grill is not in use.**

CALIFORNIA PROPOSITION 65: The burning of gas fuel creates byproducts, some of which are on the list as substances known by the State of California to cause cancer or reproductive harm. When cooking with gas, always ensure adequate ventilation to the unit, to minimize exposure to such substances.

IMPORTANT DO'S AND DON'TS

DO'S

- Read the entire instruction manual before operating the gas grill.
- Maintain proper clearance to combustibles (6" to rear of unit, 4" to sides). Additional clearance is recommended near vinyl siding or large panes of glass.
- Leak test the unit before initial use, annually and whenever any gas components are replaced.
- Follow lighting instructions carefully when operating grill.
- Ensure sear plate is positioned properly. The holes must be towards the right side of the gas grill.
- Clean grease tray and sear plates regularly to avoid build-up which may lead to grease fires.
- Inspect infra-red burner venturi tubes for spider webs and other obstructions periodically. Clean the tubes completely if you find any such obstructions.
- If installed on a boat or R.V. supplied with a regulated propane source, the fuel line must be tee'd off prior to the pressure regulator of the boat or R.V.

DON'TS

- Do not route hose (optional) underneath drip pan - proper hose clearance to bottom of unit must be maintained.
- Do not locate unit under unprotected combustible construction.
- Do not leave grill unattended when operating.
- Do not light burners with lid closed.
- Do not move grill when hot or operating.
- Do not allow cold water (rain, sprinkler, hose, etc.) to come in contact with ceramic burners. A large temperature differential can cause cracking in the ceramic tile.
- Do not clean the ceramic tile with a wire brush. If debris is collecting on your burner, simply light the burner and operate on high for 5 minutes with the lid open, allowing debris to burn off.
- Do not use water, beer, or any other liquids to control flare-ups.
- Do not pinch electrode lead between bottom surface of grill and folding leg.
- Do not use a pressure washer to clean any part of the unit.

HANDLE WITH CARE

Use care when handling or transporting your grill to prevent damage and misalignment of internal components. Although this grill has been designed with mobility in mind, rough handling or abuse will result in damage to internal components, preventing your grill from operating properly.

LEAK TESTING INSTRUCTIONS

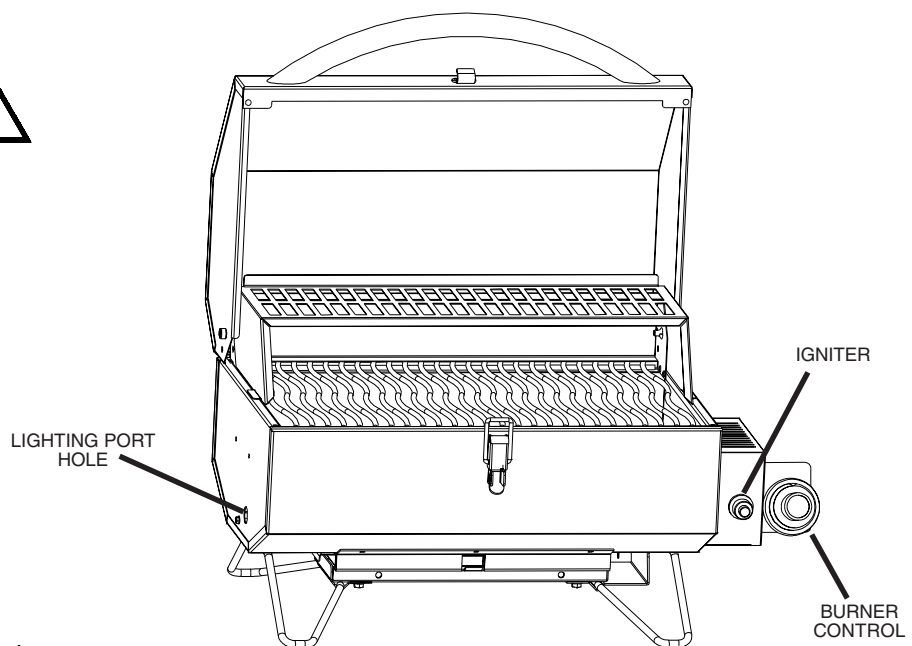
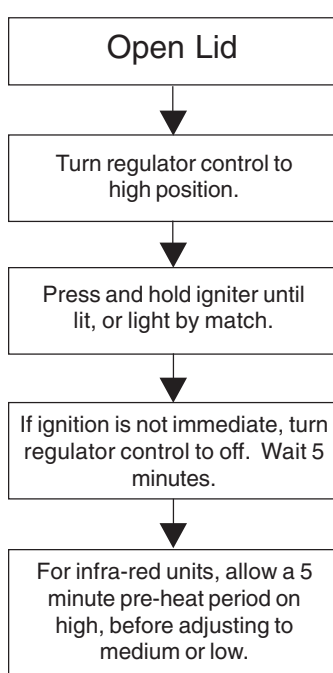


DO NOT USE A FLAME TO LEAK TEST.

LEAK TESTING: This must be done before initial use, annually and whenever any gas components are replaced or serviced. No smoking while performing this test, and remove all sources of ignition. See *Leak Testing Diagram* for areas to check.

1. Connect the 1 lb cylinder to the grill regulator, or if using the optional supply hose, connect it between the cylinder valve and the grill regulator. Ensure the grill regulator is in the "LOCK OFF" position, turn the cylinder valve on.
2. Brush a half and half solution of liquid soap and water onto the joint between the regulator and the 1 lb cylinder. When using the optional supply hose, brush the solution onto the connections at each end of the hose.
3. Bubbles will indicate a gas leak. Either tighten the loose joint or replace the part with one recommended by the dealer.
4. If the leak cannot be stopped, disconnect the 1 lb cylinder, or shut off the cylinder valve on the 20 lb cylinder, disconnect it and have the barbecue inspected by your gas supplier or dealer. Do not use the appliance until the leak has been corrected.
5. Turn off gas supply.

LIGHTING INSTRUCTIONS



Do not operate the infra-red burner with the lid closed.

INFRA-RED HEAT

Most people don't realize that the heat source that we are most familiar with, namely the sun, warms the earth using mainly infra-red energy. Infra-red energy is a form of electro-magnetic energy that has a wavelength just greater than the red end of the visible light spectrum, but less than that of radio waves. This energy was discovered in 1800 by Sir William Herschel who, dispersed sunlight into its component colours using a prism. He showed that most of the heat in the beam fell into the spectral region just beyond the red end of the spectrum, where no visible light existed. This is infra-red energy. Most materials readily absorb infra-red radiation in a wide range of wavelengths, causing an increase in temperatures of the materials. This is the same phenomenon that causes us to feel warmth when we are exposed to sunlight. The infra-red rays from the sun travel through the vacuum of space, through the atmosphere and penetrate our skin. This causes increased molecular activity in the skin, which creates internal friction and generates heat, allowing us to feel warmth.

Foods cooked over infra-red heat sources are heated by the same principle. Charcoal is the traditional way of infra-red cooking that we are all familiar with. The glowing briquettes emit infra-red energy to the food being cooked, with very little drying effect. Any juices or oils that escape from the food drip down onto the charcoal and vaporize into smoke giving the food its delicious grilled taste. The Napoleon infra-red burner cooks in the same way. In each burner, 10000 ports each with its own tiny flame cause the surface of the ceramic to glow red. This glow emits the same type of infra-red heat to the food, without the hassle or mess of charcoal. It also provides a more consistent heated area that is far easier to regulate than a charcoal fire. For instantaneous searing the burners can be set to high, yet they can also be turned down for slower cooking. We all know how difficult that is on a charcoal fire. Traditional gas burners heat the food in a different way. The air surrounding the burner is heated by the combustion process and then rises up to the food being cooked. This generates lower grill temperatures that are ideal for more delicate cuisine such as seafood or vegetables. The bottom line is that Napoleon's infra-red burners produce searing heat for juicier, tastier steaks, hamburgers and other meats. For cooking times and tips refer to the Infra-red Grilling Chart.

COOKING INSTRUCTIONS

When lit for the first time, the gas grill will emit a slight odour. This is a normal temporary condition caused by the "burn-in" of internal paints and lubricants used in the manufacturing process and will not occur again. Simply run the main burners on high with the lid open for approximately ½ hour. When cooking very lean meats, such as chicken breasts, or lean pork, the grids can be oiled before pre-heating to reduce sticking. Cooking meat with a high degree of fat content, may create flare-ups. Either trim some fat or reduce temperatures to prevent this. Should a flare-up occur, move food away from flames, reduce heat. Leave the lid open. See 'Your All Season Grill' cookbook by Napoleon for more detailed instructions.

INFRA-RED MAIN BURNER USE:

1. Follow the infra-red burner ignition procedures and operate on high for 5 minutes or until the ceramic burners glow red.
2. Place food on grills and cook according to times listed in the Infra-Red Grilling Chart.
3. Depending upon your taste, continue cooking over infra-red burners on high, medium or low, turning food frequently, or place food away from infra-red burners, and allow oven temperature to slowly finish cooking your food.

Caution: Due to the intense heat the infra-red burners provide, food left unattended over burners will burn quickly. Keep the lid open when cooking with the infra-red burners on high. The intense heat ensures adequate searing temperatures even with the lid open. This also allows observation of the food, so as to prevent burning.

CONVENTIONAL MAIN BURNER USE: The lower temperatures that these burners provide make them ideal for cooking seafood, vegetables and other delicate cuisine. These burners can be used for searing, but the infra-red burners are better suited for this type of cooking. Food cooked for a short period of time (fish, vegetables) may be grilled with the lid open. Cooking with the lid closed will ensure higher, more even temperatures that will reduce cooking time and cook meat more evenly. Food that has a cooking time longer than 30 minutes, such as roasts, may be cooked indirectly. Follow the tube burner lighting instructions and operate on high for 5 to 10 minutes with the lid closed to preheat the grill.

INFRA-RED GRILLING CHART

FOOD	CONTROL SETTING	COOKING TIME	HELPFUL SUGGESTIONS
Steak 1" Thick	High setting 2 min. each side	4 min. - Rare	When selecting meat for grilling, ask for meat with a marbled fat distribution. The fat acts as a natural tenderizer while cooking and will keep the meat moist and juicy.
	High setting 2 min. each side then medium setting	6 min. - Medium	
	High setting 2 min. each side then medium setting	8 min. - Well Done	
Hamburger 1/2" Thick	High setting 2 min. each side	4 min. - Rare	Preparing hamburgers to order is made easier by varying the thickness of your patties. To add an exotic taste to your meat, try adding hickory-flavored woodchips into Napoleon's woodchip smoker.
	High setting 2 1/2 min. each side	5 min. - Medium	
	High setting 3 min. each side	6 min. - Well Done	
Chicken Pieces	High setting 2 min. each side medium-low to low setting	20-25 min.	The joint connecting the thigh and the leg from the skinless side, should be sliced 3/4 of the way though in order for the meat to lay flatter on the grill. This will help it to cook faster and more evenly. To add a trademark taste to your cooking, try adding mesquite-flavoured woodchips in your Napoleon woodchip smoker.
Pork Chops	Medium	6 min. per side	Trim off the excess fat before grilling. Choose thicker chops to get more tender meat.
Spare Ribs	High setting for 5 minutes low to finish	20 min. per side turn often	Choose ribs that are lean and meaty. Grill until meat easily pulls away from the bone.
Lamb Chops	High setting for 5 minutes medium to finish	15 min. per side	Trim off the excess fat before grilling. Choose extra thick chops to get more tender meat.
Hot Dogs	Medium - Low	4-6 min.	Select the larger size wieners. Slit the skin lengthwise before grilling.

CLEANING INSTRUCTIONS

Ensure that the burners are turned off prior to cleaning. Avoid unprotected contact with hot surfaces. Clean grill in an area where cleaning solutions will not harm decks, lawns or patios. Do not use oven cleaner to clean any part of this gas grill. Do not use a self cleaning oven to clean cooking grids or any other parts of the gas grill. Barbecue sauce and salt can be corrosive and will cause rapid deterioration of the gas grill components unless cleaned regularly.

GRIDS AND WARMING RACK - The grids and warming rack are best cleaned during the pre-heat period with a soft brass wire brush. Steel wool can be used for stubborn stains. Stainless grids will discolour permanently from normal usage, due to the high temperature of the cooking surface.

CLEANING INSIDE THE GAS GRILL - Remove the cooking grid. Use a soft brass wire brush to clean loose debris from the insides of the lid. Scrape sear plate with a putty knife or scraper, and use a wire brush to remove ash. Remove the sear plate and brush debris off of the burner with a brass wire brush. Brush all debris from inside the gas grill into the removable drip pan. Ensure that the sear plate is placed properly when reinstalled (holes towards the right end of the grill), or whenever the grill is packed away for transport.

DRIP PAN - Slide the drip pan out for easy cleaning. It should be cleaned frequently (every 4-5 uses) to avoid grease buildup. Grease and excess drippings accumulate in the drip pan located under the grill. Accumulated grease can cause a fire hazard. Do not line the drip pan with aluminum foil, as it can prevent the proper amount of air needed for burner to operate. The pan should be scraped out with a putty knife or scraper.

CLEANING THE OUTSIDE OF THE GAS GRILL - Do not use abrasive cleaners to clean stainless steel parts. To clean stainless surfaces, use a stainless steel cleaner or a non-abrasive cleaner. Always wipe in the direction of the grain. Do not use steel wool, as it will scratch the finish and leave small particles of ferrous metal which can promote rusting. Stainless steel parts will discolour when heated, usually to a golden or brown colour. This discolouration is normal and will not affect the performance of the grill.

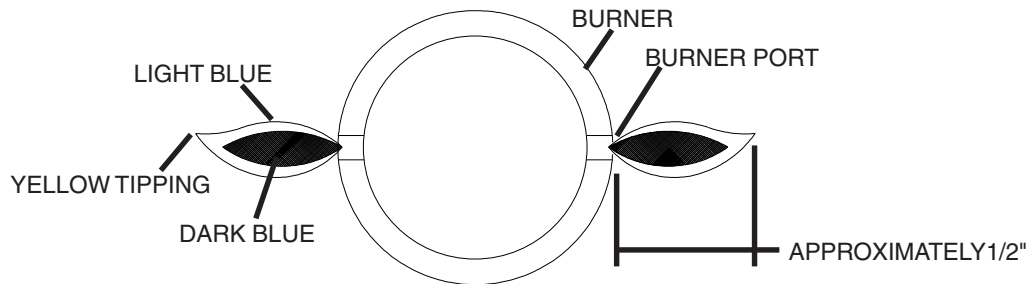
INFRA-RED BURNERS - Because of the high intensity of the infra-red burner, most drippings and food particles that fall onto the burner surface are immediately incinerated. However, some debris and residue may remain. To remove this residue after cooking, operate the grill on high for 5-10 minutes with the lid open.

MAINTENANCE INSTRUCTIONS

It is recommended that this gas grill be thoroughly inspected and serviced annually by a qualified service person.

Turn off the gas at the source and disconnect unit before servicing. Maintenance should only be done when the grill is cool, to avoid the possibility of burns. A leak test must be performed annually, and whenever any component of the gas train is replaced.

COMBUSTION AIR ADJUSTMENT - (This must be done by a qualified gas installer.) The air shutter is factory set and should not have to be adjusted under normal conditions. However, some extreme field conditions may exist that require adjustment. When the air shutter is adjusted correctly, the flames will be dark blue with light blue tips, and occasional yellow tips.



If the burner is getting too little air, the flames will be lazy yellow, and possibly produce soot. If the burner is getting too much air, the flames will be lifting erratically from the burner and may cause difficulties when lighting.

1. Loosen air-shutter lock screw, located under the regulator/igniter mount, and open or close air shutter as required. The normal setting for the tube burner is 1/8".
2. Light burner and set to high. Visually inspect burner flames. When shutters are set, turn regulator off, tighten locking screw. Be sure the air shutter does not move when tightening the screw.
3. Infra-red burners have no air adjustment.

TUBE BURNERS - The burner is made from 304 stainless steel, but due to the extreme heat and corrosive environment, surface corrosion will occur. Use a brass wire brush to remove surface corrosion. Clean any blocked ports using an opened paper clip. Do not enlarge the burner ports. Spiders and insects are attracted to the smell of propane and natural gas. The burner is equipped with an insect screen in the air shutter, which will reduce the likelihood of insects building nests inside the burner, but does not entirely eliminate the problem. The nest or web will cause the burner to burn with a soft yellow or orange flame or cause a fire (flashback) at the air shutter underneath the regulator mount. To clean the inside of the burner, it must be removed from the gas grill. Remove the cooking grid and sear plate. Remove the screw that attaches the burner to the side wall. Remove the regulator. Slide the burner to the front and upwards to remove. Use a flexible venturi tube cleaning brush to clean out the inside of the burner. Shake any loose debris out of the burner, through the gas inlet. Ensure that none of the burner ports are blocked. Use an opened paperclip to clean any blocked ports. Ensure that the insect screen is clean, and free of any lint or other debris. Check also that the valve orifice is clean. Do not enlarge the orifice. Re-install the burner in the reverse procedure. Check that the regulator orifice enters the burner when installing. Replace sear plate and tighten screw to complete installation.

PROTECTION OF INFRA-RED BURNERS - The infra-red burners of your grill are designed to provide a long service life. However, there are steps you must take to prevent cracking of their ceramic surfaces, which will cause the burners to malfunction. Following are the common causes of cracks and the steps you must take to avoid them. Damage caused by failure to follow these steps is not covered by your grill warranty.

1. **Impact with Hard Objects** - Never allow hard objects to strike the ceramic. Take care when inserting or removing cooking grates and accessories into or from the grill. If these objects were to fall on the ceramic, it is likely to crack.
2. **Water or Other Liquids** - Cold liquid contacting a hot surface in substantial amounts can cause the surface to break. Do not throw water into the grill to douse a flame. Also if the ceramic or interior of a burner becomes wet while not in use, later operation of the burner can create steam, which may produce enough pressure to crack the ceramic. In addition, repeated soaking of the ceramic will cause it to swell and expand. This expansion will cause undue pressure on the ceramic and therefore it may crack and crumble.
 - i) Never throw water into the grill to control flare-ups
 - ii) Do not attempt to operate the infra-red burners in open air while raining.
 - iii) If you find standing water in your grill (because of exposure to rainfall, sprinklers etc.), inspect ceramic for evidence of possible water-soaking. If ceramic appears to be wet, remove the burner from the grill. Turn upside down to drain the excess water. Bring indoors and allow to dry thoroughly.
3. **Impaired Ventilation of Hot Air From the Grill** - In order for the burners to function properly, hot air must have a way to escape the grill. If the hot air is not allowed to escape, the burners may become deprived of oxygen, causing them to back flash. If this occurs repeatedly, the ceramic may crack. Do not cover more than 75% of the cooking surface with solid metal (ie. griddle or large pan).
4. **Burn Off** - Do not clean the ceramic tile with a wire brush. If debris is collecting on your burner, simply light the burner and operate on high for 5 minutes with the lid open, allowing debris to burn off.

TROUBLESHOOTING

Problem	Possible Causes	Solution
Low heat / Low flame when valve turned to high.	Blockage of gas. Improper preheating. Cylinder freezing up.	Check for spider webs in the burner or orifice. Pre-heat grill with main burners on high for 5 to 10 minutes. When cooking for long periods of time, or when the cylinder is close to being empty, or low outside air temperatures, 1 lb cylinders do not have enough wetted surface area to allow liquid propane to turn to vapour. Put on a fresh 1 lb cylinder or hook-up to a 20 lb tank.
Excessive flare-ups/uneven heat.	Sear plate installed incorrectly. Improper pre-heating. Excessive grease and ash build up on sear plates and in drip pan.	Ensure sear plate is installed with the holes towards the right end of the grill. Pre-heat grill with main burners on high for 5 to 10 minutes. Clean sear plate and drip pan regularly. Do not line pan with aluminum foil. Refer to cleaning instructions.
Burners burn with yellow flame, accompanied by the smell of gas.	Possible spider web or other debris, or improper air shutter adjustment.	Thoroughly clean burner by removing. See general maintenance instructions. Open air shutter slightly according to combustion air adjustment instructions.
Flames lift away from burner, accompanied by the smell of gas, and possibly difficulties in lighting.	Improper air shutter adjustment.	Close air shutter slightly according to combustion air adjustment instructions.
Burner will not light with the igniter, but will light with a match.	Damaged electrode wire. Loose electrode wire. Electrode is cracked or broken. Dead battery / or installed incorrectly.	Replace electrode wire. Check that electrode wire is firmly pushed onto the terminal on the back of the igniter. Replace electrode. Replace with heavy duty 'AAA' battery. Install with the positive terminal up.
"Paint" appears to be peeling inside lid or hood.	Grease build up on inside surfaces.	This is not a defect. The finish on the lid and hood is stainless, and will not peel. The peeling is caused by hardened grease, which dries into paint-like shards, that will flake off. Regular cleaning will prevent this. See cleaning instructions.
Burner output on "high" setting is too low. (Rumbling noise and fluttering blue flame at burner surface.) Infra-red only.	Lack of gas. Supply hose is pinched. Dirty or clogged orifice. Spider webs in venturi tube, or other foreign matter. Cracked ceramic tile.	Check gas level in propane cylinder. Reposition supply hose as necessary. Clean burner orifice. Clean out venturi tube. Order replacement burner from your Authorized Napoleon dealer.
Infra-red burner flashes back (during operation the burner abruptly makes a loud "whoosh" sound, followed by a continuous blow-torch type sound and grows dim.)	Ceramic tiles overloaded with grease drippings and build-up, ports are clogged. Burner overheated due to inadequate ventilation (too much grill surface covered by griddle or pan.) Cracked ceramic tile. Leaking gasket surrounding the ceramic tile, or a weld failure in the burner housing.	Turn burner off and allow to cool for at least two minutes. Relight burner and burn on high for at least five minutes or until the ceramic tiles are evenly glowing red. Ensure that no more than 75% of the grill surface is covered by objects or accessories. Turn burner off and allow to cool for at least two minutes, then relight. Allow burner to cool and inspect very closely for cracks. If any cracks are found, contact your authorized Napoleon dealer for ordering a replacement burner assembly. Contact your authorized Napoleon dealer for instructions on ordering a replacement burner assembly.

ORDERING REPLACEMENT PARTS

Contact the factory directly for replacement parts and warranty claims. The customer service department is available between 9 AM and 5 PM (Eastern standard time) at 1-866-820-8686 or fax at 1-705-727-4282. In order to process a claim, we must be provided with the following information:

1. Model and serial number of the unit.
2. Part number and description.
3. A concise description of the problem ('broken' is not sufficient).
4. Proof of purchase (photocopy of the invoice).

In some cases the customer service representative may request to have the parts returned to the factory for inspection, before providing replacement parts. The parts must be shipped prepaid to the attention of the customer service department with the following information:

1. Model and serial number of the unit.
2. A concise description of the problem ('broken' is not sufficient).
3. Proof of purchase (photocopy of the invoice).
4. Return Authorization number - provided by the customer service representative.

Before contacting customer service, kindly note that the following items are not covered by the warranty:

- costs for transportation, brokerage or export duties
- labor costs for removal and re-installation
- costs for service calls to diagnose problems
- discoloration of stainless steel parts
- part failure due to lack of cleaning and maintenance, or use of improper cleaners (ovencleaner).



GOURMET GRILLS

Award Winning Products

Le PTSS215 a été conçu avec la mobilité à l'esprit. Grâce à ses pattes repliables, le PTSS215 peut être installé sur n'importe quelle surface plane. Les pattes se déplient et bloquent en place pour ensuite se replier lors de vos déplacements ou lorsque utilisé avec nos ensembles de supports optionnels (voir les illustrations pour les différents ensembles de supports et accessoires).

TOUS les grils à gaz NAPOLÉON sont fabriqués conformément aux normes strictes du certificat d'assurance de qualité internationalement reconnu ISO 9001-2000. Les produits NAPOLÉON sont conçus avec des composants et des matériaux de qualité supérieure, assemblés par des artisans qualifiés qui sont fiers de leur travail. Le brûleur et le montage de la soupape subissent un test de détection de fuites et d'allumage à une station de test de qualité et sont soigneusement inspectés par un technicien qualifié avant d'être emballés et expédiés pour garantir que vous, le client, recevez le produit de qualité dont vous vous attendez de NAPOLÉON.



GARANTIE À VIE LIMITÉE DU PRÉSIDENT DES GRILS À GAZ NAPOLÉON

NAPOLÉON garantit votre nouveau gril à gaz contre tous défauts concernant les matériaux et le procédé de fabrication tant et aussi longtemps que vous êtes propriétaire du gril. Cette garantie couvre : le boîtier en acier inoxydable, le brûleur en acier inoxydable, la grille de cuisson en tige d'acier inoxydable et le couvercle en acier inoxydable sous réserve des conditions suivantes. Pendant les dix premières années, NAPOLÉON remplacera gratuitement les pièces de rechange selon son choix. De la onzième année à vie, NAPOLÉON fournira les pièces de rechange à 50 % du prix de détail courant.

Les composants tels que la plaque de brûleur en acier inoxydable, le brûleur infrarouge en céramique (à l'exclusion des écrans), et l'allumeur (excluant la pile) sont couverts et NAPOLÉON fournira les pièces gratuitement durant les trois premières années de la garantie limitée.

Les composants tels que le régulateur, la grille de réchaud, les tuyaux et les raccords, les pièces d'assemblage et les accessoires sont couverts et NAPOLÉON fournira les pièces gratuitement durant la première année de la garantie limitée.

NAPOLÉON n'assumera aucuns frais d'expédition, de main-d'oeuvre ou de taxes d'exportation.

CONDITIONS ET LIMITATIONS

"NAPOLÉON garantit ses produits contre les défauts de fabrication à l'acheteur d'origine seulement (i.e. l'individu ou la personne morale (client inscrit) dont le nom apparaît sur la carte d'enregistrement de garantie déposée auprès de NAPOLÉON), à condition que l'achat ait été fait par l'entremise d'un représentant autorisé NAPOLÉON et sous réserve des conditions et limitations suivantes."

Cette garantie du fabricant n'est pas transférable et ne peut être prolongée ou étendue par aucun de nos représentants quelle qu'en soit la raison.

Le gril à gaz doit être installé par un installateur ou entrepreneur qualifié. L'installation doit être faite conformément aux instructions d'installation incluses avec le produit et à tous les codes d'incendie et de construction locaux et nationaux.

Cette garantie limitée ne couvre pas les dommages causés par un mauvais usage, un manque d'entretien, des feux de graisse, un environnement inadéquat, un accident, des altérations, des abus ou de la négligence et l'installation de pièces d'autres fabricants annulera cette garantie.

Cette garantie limitée ne couvre pas non plus les égratignures, les bossellements, les surfaces peintes, la corrosion ou la décoloration causés par la chaleur ou les produits d'entretien chimiques et abrasifs ni l'écaillage des pièces en porcelaine émaillée ni les composants utilisés dans l'installation du gril à gaz.

Dans le cas d'une détérioration des composants causant un mauvais fonctionnement de l'appareil pendant la période couverte par la garantie, les pièces de rechange seront fournies par Napoléon.

Au cours de la première année seulement, cette garantie s'étend au remplacement des pièces garanties dont les matériaux ou la fabrication sont défectueux sous condition que le produit ait été utilisé conformément aux instructions de fonctionnement et dans des conditions normales.

Après la première année, concernant cette Garantie à Vie Limitée du Président, NAPOLÉON peut, à sa discrétion, se décharger entièrement de toutes obligations concernant cette garantie en remboursant à l'acheteur d'origine le prix de gros de toute pièce garantie qui est défectueuse.

NAPOLÉON ne sera pas responsable de l'installation, de la main-d'oeuvre ou autres coûts ou dépenses relatives à la réinstallation d'une pièce garantie, et de telles dépenses ne sont pas couvertes par cette garantie.

Nonobstant toutes les dispositions contenues dans cette Garantie à Vie Limitée du Président, la responsabilité de NAPOLÉON sous cette garantie est définie comme ci-dessus et elle ne s'appliquera à aucun dommage accidentel, consécutif ou indirect.

Cette garantie définit les obligations et responsabilités de NAPOLÉON concernant le gril à gaz NAPOLÉON et toutes autres garanties exprimées ou implicites concernant ce produit, ses composants ou accessoires sont exclues.

NAPOLÉON n'endosse ni n'autorise aucun tiers à assumer en son nom, tout autre responsabilité concernant la vente de ce produit. NAPOLÉON ne sera pas responsable pour une surchauffe ou une explosion causée par des conditions environnementales telles que des vents forts ou une ventilation inadéquate.

Tous dommages causés au gril par les intempéries, la grêle, un usage abusif ou l'utilisation de produits d'entretien chimiques ou abrasifs ne seront pas la responsabilité de NAPOLÉON.

La facture ou sa copie sera requise ainsi que le numéro de série et de modèle du gril lors d'une réclamation auprès de NAPOLÉON. La carte d'enregistrement de garantie doit être retournée dans les quatorze jours pour enregistrer la garantie et vous pouvez vous enregistrer en ligne au : www.napoleongrills.com.

NAPOLÉON se réserve le droit de demander à son représentant d'inspecter tous produits ou pièces avant d'honorer toute réclamation.

NAPOLÉON n'assumera aucuns frais de transport, de main-d'oeuvre ou taxes d'exportation.

AVERTISSEMENT

Ne tentez pas d'allumer cet appareil avant d'avoir lu la section
"INSTRUCTIONS D'ALLUMAGE" de ce manuel.

POUR VOTRE SÉCURITÉ, N'ENTREPOSEZ PAS ET N'UTILISEZ PAS D'ESSENCE OU AUTRES LIQUIDES ET VAPEURS INFLAMMABLES À PROXIMITÉ DE CET OU TOUT AUTRE APPAREIL.

UNE BONBONNE DE PROPANE NON BRANCHÉE NE DOIT PAS ÊTRE ENTREPOSÉE À PROXIMITÉ DE CET OU DE TOUT AUTRE APPAREIL. SI CES INSTRUCTIONS NE SONT PAS SUIVIES À LA LETTRE, UN FEU OU UNE EXPLOSION POURRAIENT S'ENSUIVRE, CAUSANT DES DOMMAGES MATÉRIELS, DES BLESSURES CORPORELLES OU DES PERTES DE VIE.

QUE FAIRE SI VOUS DÉTECTEZ UNE ODEUR DE GAZ :

- Fermez l'alimentation principale en gaz.
- Éteignez toute flamme nue.
- Ouvrez le couvercle.
- Si l'odeur persiste, appelez immédiatement votre fournisseur de gaz ou le service des incendies.

CONSIGNES DE SÉCURITÉ

- Ce gril doit être utilisé uniquement à l'extérieur, dans un endroit bien aéré et ne doit jamais être utilisé à l'intérieur d'un bâtiment, d'un garage ou de tout autre endroit fermé.
- Gardez les cordons électriques et les tuyaux d'alimentation en gaz éloignés des surfaces chauffantes.
- Inspectez le tuyau d'alimentation en gaz avant chaque utilisation. S'il montre des signes de fendillement excessif, d'usure ou s'il est coupé, il doit être remplacé par un ensemble de rechange spécifié par le fabricant avant d'utiliser le gril.
- Lorsque la bonbonne de propane n'est pas débranchée du gril, la bonbonne et le gril doivent être entreposés à l'extérieur, dans un endroit bien aéré.
- N'installez pas le gril dans un endroit venteux. Les vents forts nuiront à la performance de cuisson de votre gril.
- Ce gril à gaz est conçu pour fonctionner avec le propane seulement.
- Ce gril ne devra être modifié en aucun cas.
- Lorsque le gril n'est pas utilisé, l'alimentation en gaz doit être fermée à la bonbonne de propane.
- Les adultes et particulièrement les enfants doivent être sensibilisés aux risques que représentent les surfaces exposées à des températures élevées. Surveillez les jeunes enfants lorsqu'ils sont près du gril.
- Lorsque le gril doit être entreposé à l'intérieur, la bonbonne de propane doit être débranchée du gril et entreposée à l'extérieur dans un endroit bien aéré, hors de la portée des enfants. Les bonbonnes de propane ne doivent en aucun temps être entreposées à l'intérieur d'un bâtiment, d'un garage ou de tout autre endroit fermé.
- Ce gril à gaz est conçu pour un usage extérieur seulement.
- En raison de la chaleur intense générée par le système de brûleur infrarouge, la cuisson, le préchauffage et l'allumage du gril doivent être effectués uniquement avec le couvercle ouvert. Si vous omettez de suivre ces instructions, il y a un risque de retour de flamme (un feu à l'intérieur du tube du brûleur). Tout dommage résultant de l'omission de suivre ces instructions ne sera pas couvert par la garantie.
- Le couvercle peut être fermé seulement lorsque le gril ne fonctionne pas.



ATTENTION

Lors du déballage et de l'assemblage, nous vous conseillons de porter des gants de travail et des lunettes de sécurité pour votre protection. Malgré tous nos efforts pour assurer que l'assemblage soit aussi sécuritaire et sans problème que possible, il se peut que les bords et les coins des pièces usinées en acier soient coupants et qu'ils causent des coupures si les pièces ne sont pas manipulées correctement.

INFORMATION GÉNÉRALE

Ce gril à gaz est certifié selon les normes nationales canadiennes et américaines, CSA 1.8 - 2002 et ANSI Z83.11 - 2002 pour les grils à gaz extérieurs, en référence aux normes ANSI Z21.57 - 2001, CSA 1.16 M79 (r1996), NFPA 302, CFR title 33, ANSI Z21.89 - 2002, ANSI Z21.72b - 2002 et CSA 11.2b - 2002 et son installation devrait être conforme aux codes locaux. En l'absence de codes locaux, l'installation doit être conforme au Code d'installation du gaz CAN/CGA B149.1 ou le National Fuel Gas Code, ANSI Z223.1/NFPA 54.

Utilisez uniquement le régulateur de pression fourni avec ce gril. Les régulateurs de pression de rechange doivent être ceux recommandés ou fournis par le fabricant. Le régulateur fournit une pression de 22 pouces de colonne d'eau au gril et possède un raccord femelle de type CGA#600. **Pour installer le régulateur, vissez-le dans le trou fileté sur le côté droit du gril. Le brûleur en tube devra possiblement être soulevé légèrement pour s'assurer que l'orifice est aligné avec l'ouverture sur le brûleur.** Les bonbonnes jetables de 1 lb destinées pour cet appareil doivent être munies d'un raccord mâle de type CGA #600. Cette bonbonne possède un raccord qui empêche l'écoulement du gaz jusqu'à ce qu'un joint étanche soit obtenu. **Pour installer la bonbonne, vissez-la simplement dans le régulateur - serrez à la main.**

INSTRUCTIONS POUR LE TUYAUX D'ALIMENTATION OPTIONNEL : Un tuyau optionnel est disponible chez votre détaillant Napoléon qui permet de brancher le gril à une bonbonne de 20 lb (9,1 kg). Une bonbonne bosselée ou rouillée peut être dangereuse et devrait être vérifiée par votre fournisseur de propane. N'utilisez jamais une bonbonne avec une soupape endommagée. Utilisez uniquement une bonbonne de propane fabriquée et étiquetée selon les normes pour les bonbonnes de propane de la Commission canadienne des Transports (CCT) ou le US Department of Transportation (DOT). La bonbonne de propane doit être équipée d'une soupape d'arrêt se raccordant à une soupape de type QCC1. Une valve de sécurité doit être branchée directement sur la bonbonne. Le système d'alimentation de la bonbonne doit être installé de manière à permettre l'évacuation des vapeurs et doit avoir un collet pour protéger la soupape de la bonbonne. La bonbonne doit être munie d'un dispositif de détection de trop-plein certifié. **Pour utiliser le tuyau, branchez-le (notez qu'une bonbonne de 20 lb possède un filetage à gauche) entre la soupape de la bonbonne et le régulateur du gril. Ces raccords doivent être serrés à la main et subir un test de détection de fuite. Assurez-vous que la soupape de la bonbonne est fermée lorsque le gril n'est pas utilisé.**

PROPOSITION 65 DE LA CALIFORNIE : La combustion de gaz crée des sous-produits, parmi lesquels certains se retrouvent sur la liste de substances connues par l'état de Californie comme causant le cancer ou autres dangers pour la reproduction. Lorsque vous cuisinez avec le gaz, assurez-vous de toujours avoir une ventilation adéquate afin de minimiser l'exposition à ces substances.

QUOI FAIRE ET NE PAS FAIRE

À FAIRE

- Lire le manuel d'instructions en entier avant d'utiliser le gril.
- Respecter les dégagements recommandés aux matériaux combustibles (6" à l'arrière du gril et 4" sur les côtés). Un dégagement plus grand est recommandé à proximité d'un recouvrement de vinyle ou d'une grande surface vitrée.
- Faire un test de détection de fuites avant la première utilisation, annuellement et à chaque fois qu'une pièce du système de gaz est remplacée.
- Suivre les instructions d'allumage à la lettre lorsque vous utilisez votre gril.
- S'assurer que la plaque de brûleur est installée de façon adéquate. Les trous doivent être orientés vers le côté droit du gril.
- Nettoyer le tiroir d'égouttement et la plaque de brûleur régulièrement pour éviter les feux de graisse.
- Inspecter le volet d'air du brûleur infrarouge pour des toiles d'araignées ou toutes autres obstructions régulièrement. Nettoyer le tube si vous découvrez des obstructions.
- Si le gril est installé sur un bateau ou un véhicule récréatif possédant une alimentation en propane avec un régulateur, le tuyau d'alimentation du gril doit être installé en amont du régulateur de pression du bateau ou du véhicule récréatif.

À NE PAS FAIRE

- Ne pas passer le tuyau d'alimentation optionnel sous le tiroir d'égouttement - le dégagement requis entre le tuyau et le fond de la cuve doit être maintenu.
- Ne pas placer le gril sous une construction combustible non protégée.
- Ne pas laisser le gril sans surveillance lorsqu'il est allumé.
- Ne pas allumer les brûleurs avec le couvercle fermé.
- Ne pas déplacer le gril pendant qu'il fonctionne ou qu'il est chaud.
- Ne pas permettre à l'eau froide (pluie, arrosoir, boyau d'arrosage etc.) de venir en contact avec le brûleur en céramique. Une grande différence de température pourrait causer la céramique à fissurer.
- Ne nettoyez pas la tuile de céramique avec une brosse métallique. Si des débris s'accumulent sur le brûleur, allumez simplement le brûleur et faites fonctionner à "HIGH" pendant cinq minutes avec le couvercle ouvert, permettant aux débris de se consumer.
- Ne pas utiliser d'eau, de bière ou autre liquide pour contrôler les poussées de flamme.
- Ne pas coincer le fil de l'électrode entre le dessous du gril et les pattes repliables.
- N'utilisez pas un pulvérisateur pour nettoyer l'appareil.

MANIPULER AVEC SOIN

Manipulez ou transportez votre gril avec soin afin de prévenir tout dommage et désalignement des composantes internes. Malgré que le gril a été conçu pour avoir une certaine mobilité, toute manipulation brusque ou de l'abus causeront des dommages aux composantes internes, nuisant ainsi au bon fonctionnement de votre gril.

TEST DE DÉTECTION DE FUITES

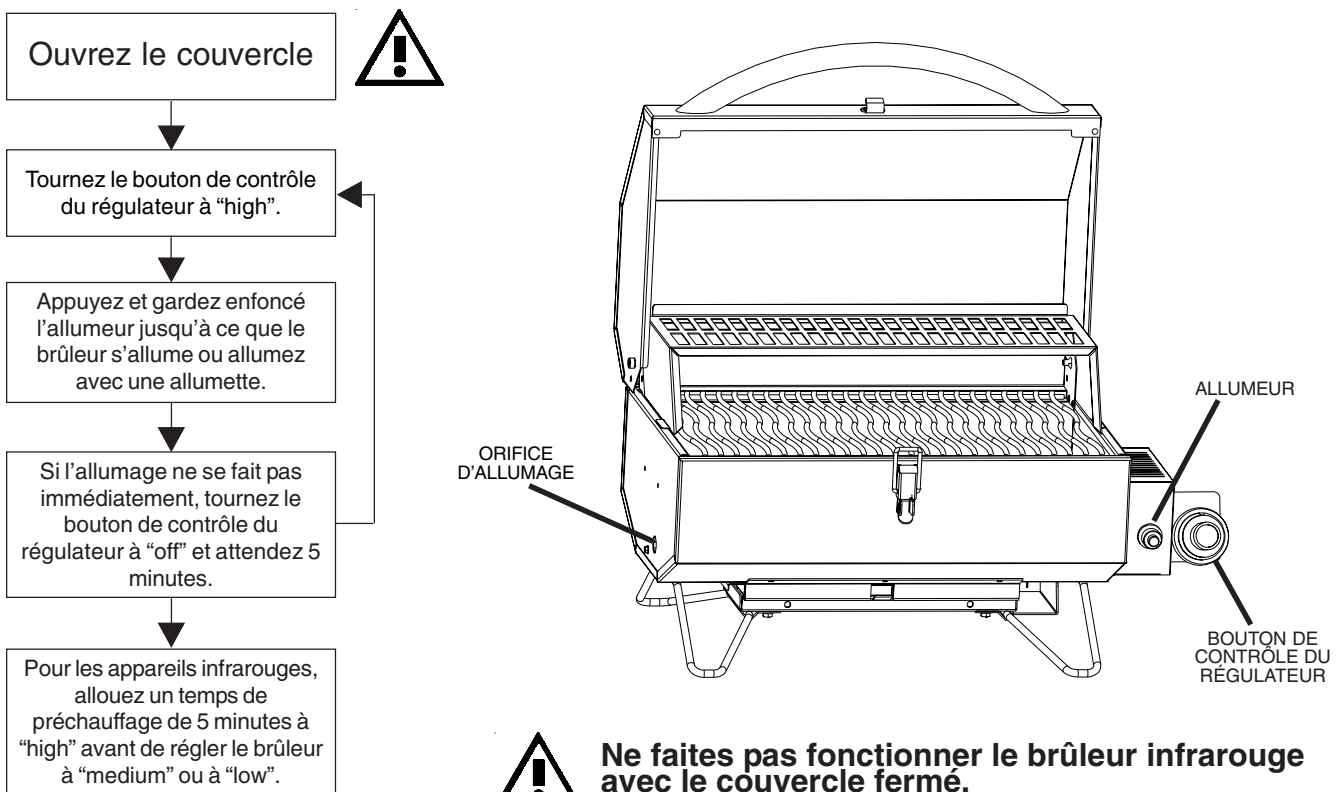


N'UTILISEZ PAS DE FLAMME POUR EFFECTUER LE TEST DE DÉTECTION.

TEST DE DÉTECTION DE FUITES : Il doit être fait avant la première utilisation, annuellement et à chaque fois qu'une pièce du système de gaz est remplacée ou réparée. Ne fumez pas et enlevez toutes sources d'inflammation lorsque vous faites ce test. Consultez le schéma de *test de détection de fuites* pour voir les endroits à vérifier.

1. Branchez la bonbonne de 1 lb au régulateur du gril ou si vous utilisez le tuyau optionnel, branchez-le entre la soupape de la bonbonne et le régulateur du gril. Assurez-vous que le régulateur est en position "LOCK OFF" (barrée), ouvrez la soupape de la bonbonne.
2. Appliquez une solution d'eau savonneuse (moitié eau, moitié savon liquide) sur le joint entre le régulateur et la bonbonne de 1lb. Lorsque vous utilisez le tuyau optionnel, appliquez la solution sur les raccords aux deux extrémités du tuyau.
3. Des bulles indiqueront une fuite de gaz. Resserrez le joint ou remplacez la pièce avec une autre recommandée par le détaillant.
4. Si la fuite ne peut être réparée, débranchez la bonbonne de 1 lb ou fermez la soupape de la bonbonne de 20 lb, débranchez-la et faites inspecter votre gril par votre fournisseur de gaz ou votre détaillant. N'utilisez pas l'appareil tant que la fuite n'est pas réparée.
5. Fermez l'alimentation en gaz à la bonbonne.

INSTRUCTIONS D'ALLUMAGE



CHALEUR INFRAROUGE

La plupart des gens ne réalisent pas que la source de chaleur qui nous est la plus familière et que le soleil émet pour réchauffer la planète est l'énergie infrarouge. L'énergie infrarouge est une forme d'énergie électromagnétique dont la longueur d'onde est tout juste plus grande que la lumière rouge visible du spectre lumineux mais plus petite que les ondes radios. Cette forme d'énergie fut découverte en 1800 par Sir William Herschel qui fit passer la lumière du soleil à travers un prisme qui divisa la lumière en ses composants du spectre lumineux. Il démontra que la plus forte concentration de chaleur qui émanait des rayons provenait de la région du spectre lumineux juste au-dessus du rouge, où aucune lumière n'était visible. C'est cela l'énergie infrarouge. La plupart des matériaux absorbent facilement l'énergie infrarouge sous un large spectre de longueur d'onde, causant une augmentation de température des matériaux. C'est le même phénomène qui se produit lorsque nous ressentons de la chaleur durant une exposition au soleil. Les rayons infrarouges du soleil voyagent dans l'espace, traversent l'atmosphère et pénètrent notre peau. Ceci provoque une augmentation de l'activité moléculaire de la peau, créant des frictions internes et générant de la chaleur, nous permettant de ressentir de la chaleur.

Les aliments cuits au-dessus des sources de chaleur infrarouges sont réchauffés selon le même principe. Le charbon de bois est la méthode traditionnelle de cuisson à l'infrarouge dont nous sommes les plus familiers. Les briquettes incandescentes émettent de l'énergie infrarouge à l'aliment qui se fait cuire et ce, avec très peu d'assèchement. Les jus de cuisson ou les graisses qui s'échappent des aliments dégouttent sur le charbon de bois et se vaporisent en fumée, donnant ainsi aux aliments leur goût savoureux. Les brûleurs infrarouges de Napoléon fonctionnent de la même façon. Dans chaque brûleur, 10 000 orifices possédant chacun leur flamme rendent la surface de la céramique incandescente. Cette incandescence émet le même type de chaleur infrarouge sans le souci du charbon de bois qui est souvent malpropre. Il procure aussi une chaleur plus uniforme qui est plus facile à contrôler que celle du charbon de bois. Pour saisir les aliments, les brûleurs peuvent être réglés à "high" et être ensuite réglés plus bas pour une cuisson plus lente. Nous savons combien cela est difficile avec le charbon de bois. Les brûleurs traditionnels au gaz réchauffent les aliments d'une façon différente. L'air entourant le brûleur est réchauffé par le processus de combustion et s'élève ensuite vers les aliments à cuire. Cette méthode génère des températures plus basses qui sont idéales pour les aliments plus fragiles tels que les fruits de mer et les légumes. En conclusion, les brûleurs infrarouges de Napoléon produisent un rayonnement intense qui vous donnera des steaks, des hamburgers et des viandes qui seront plus juteux et plus savoureux. Pour connaître les temps de cuisson et certains conseils, consultez le tableau de cuisson à l'infrarouge.

INSTRUCTIONS DE FONCTIONNEMENT

Lorsqu'il est allumé pour la première fois, le gril dégagera une légère odeur. Ceci est un phénomène normal et temporaire causé par l'évaporation des peintures et lubrifiants internes utilisés dans le processus de fabrication et ne se reproduira plus. Allumez simplement le brûleur de cuve à "high" pendant une demi-heure. Lorsque vous faites cuire des viandes très maigres telles que des poitrines de poulet ou du porc maigre, vous pouvez huiler la grille de cuisson avant le préchauffage ce qui aura pour effet d'empêcher la viande de trop coller à la grille. Cuire des viandes avec beaucoup de gras peut causer des poussées de flamme. Coupez l'excès de gras ou réduisez la température pour remédier à ce problème. En cas de poussées de flamme, éloignez les aliments de la flamme et réduisez la chaleur. Gardez le couvercle ouvert. Pour des instructions plus détaillées, veuillez consulter votre "Livre de recettes quatre saisons" de Napoléon.

UTILISATION DU BRÛLEUR INFRAROUGE :

1. Suivez la procédure d'allumage du brûleur infrarouge et faites fonctionner à "high" pendant 5 minutes jusqu'à ce que le brûleur en céramique devienne incandescent.
2. Placez les aliments sur la grille de cuisson et faites cuire selon les temps spécifiés dans le "Tableau de cuisson à l'infrarouge".
3. Au choix, continuez de cuire par-dessus le brûleur infrarouge à "high", "medium" ou "low", en tournant souvent les aliments, ou placez les aliments éloignés du brûleur infrarouge, fermez le couvercle et laissez la température de convection terminer la cuisson de vos aliments plus lentement.

Avertissement : Du à la chaleur intense produite pour le brûleur infrarouge, les aliments qui sont laissés sur le brûleur sans surveillance brûleront rapidement. Gardez le couvercle ouvert lorsque vous faites fonctionner le brûleur infrarouge à "high". La chaleur intense vous assure des températures adéquates de rayonnement même lorsque le couvercle est ouvert. Ceci vous permettra de surveiller les aliments afin de prévenir qu'ils brûlent.

UTILISATION DU BRÛLEUR CONVENTIONNEL : Les températures plus basses que produit ce brûleur le rend idéal pour cuire des fruits de mer, les légumes et autres aliments plus fragiles. Ce brûleur peut être utilisé pour produire un rayonnement intense mais le brûleur infrarouge est mieux adapté pour ce genre de cuisson. Les aliments à cuisson courte (poisson, légumes) peuvent être grillés avec le couvercle ouvert. Une cuisson avec le couvercle fermé procurera des températures plus élevées et plus constantes qui réduiront la période de cuisson et cuiront la viande de façon plus uniforme. Les aliments qui requièrent un temps de cuisson de plus de 30 minutes, tels que les rôtis, peuvent être cuits en utilisant la méthode de cuisson indirecte. Suivez les instructions d'allumage pour le brûleur en tube et préchauffez le gril à "high" avec le couvercle fermé pendant 5 à 10 minutes.

TABLEAU DE CUISSON À L'INFRAROUGE

ALIMENT	RÉGLAGE DU CONTRÔLE	TEMPS DE CUISSON	CONSEILS PRATIQUES
Steak 1" d'épaisseur	Réglage à "high" 2 min chaque côté Réglage à "high" 2 min chaque côté ensuite réglage à "medium" Réglage à "high" 2 min chaque côté ensuite réglage à "medium"	4 min - Saignant 6 min - À point 8 min - Bien cuit	Lorsque vous choisissez votre viande, demandez une viande qui est marbrée. Le gras de la viande agira comme élément attendrissant durant la cuisson et gardera la viande plus juteuse.
Hamburger 1/2" d'épaisseur	Réglage à "high" 2 min chaque côté Réglage à "high" 2 1/2 min chaque côté Réglage à "high" 3 min chaque côté	4 min - Saignant 5 min - À point 6 min - Bien cuit	Pour terminer la cuisson de vos hamburgers tous en même temps, nous vous conseillons de varier l'épaisseur de vos boulettes. Pour ajouter une saveur exotique à votre viande, ajoutez des copeaux de bois à saveur d'hickory dans une pipe à boucane de Napoléon.
Morceaux de poulet	Réglage à "high" 2 min chaque côté ensuite réglage de "medium-low" à "low"	20-25 min	L'articulation qui retient le pilon à la cuisse doit être coupée au 3/4 à partir du côté sans peau afin de permettre à la viande d'être plus à plat sur la grille de cuisson. Ceci permettra à la viande de cuire de façon plus uniforme et plus rapidement. Pour ajouter une touche personnelle à votre poulet, ajoutez des copeaux de bois à saveur de mesquite dans une pipe à boucane de Napoléon.
Côtelettes de porc	"Medium"	6 min chaque côté	Coupez l'excès de gras avant de faire cuire. Choisissez des côtelettes de porc plus épaisses pour obtenir une viande plus tendre.
Côtes	Réglage à "high" pendant 5 minutes ensuite réglage à "low" pour terminer la cuisson	20 min chaque côté tournez souvent	Choisissez des côtes bien charnues et maigres. Grillez jusqu'à ce que la viande se détache facilement des os.
Côtelettes d'agneau	Réglage à "high" pendant 5 minutes ensuite réglage à "medium" pour terminer la cuisson	15 min chaque côté	Coupez l'excès de gras avant de faire cuire. Choisissez des côtelettes très épaisses pour obtenir une viande plus tendre.
Saucisses	"Medium" - "low"	4-6 min	Choisissez des saucisses plus grosses. Faites une entaille dans la peau, sur la longueur de la saucisse avant de faire griller.

NETTOYAGE DU GRIL

Assurez-vous que le brûleur est éteint avant de nettoyer. Évitez tout contact avec les surfaces chaudes. Nettoyez votre grill dans un endroit où les produits de nettoyage n'endommageront pas votre patio, pelouse ou terrasse. N'utilisez pas de nettoyeur à four pour nettoyer votre grill à gaz. N'utilisez pas un four autonettoyant pour nettoyer la grille de cuisson ou tout autre composant de votre grill à gaz. La sauce BBQ et le sel sont corrosifs et causeront une détérioration rapide de votre grill à gaz à moins de le nettoyer régulièrement.

NETTOYAGE DE LA GRILLE DE CUISSON ET DE LA GRILLE DE RÉCHAUD : La grille de cuisson et la grille de réchaud sont plus faciles à nettoyer durant la période de préchauffage en utilisant une brosse en laiton. Une laine d'acier peut être utilisée pour les taches plus tenaces. La grille de cuisson en acier inoxydable va décolorer de façon permanente en raison des températures élevées de la surface de cuisson.

NETTOYAGE DE L'INTÉRIEUR DU GRIL : Enlevez la grille de cuisson. Utilisez une brosse en laiton pour enlever les débris non incrustés à l'intérieur du couvercle. Grattez la plaque de brûleur avec un couteau à mastic ou un grattoir puis utilisez une brosse en laiton pour enlever les dépôts de carbone. Retirez la plaque de brûleur et nettoyez les débris sur le brûleur à l'aide de la brosse. Nettoyez tous les débris qui se trouvent à l'intérieur du grill en les faisant tomber dans le tiroir d'égouttement. Assurez-vous que la plaque de brûleur est réinstallée de façon adéquate après le nettoyage (les trous orientés vers le côté droit du grill) ou suite au transport du grill.

NETTOYAGE DU TIROIR D'ÉGOUTTEMENT : Sortez le tiroir d'égouttement pour en faciliter le nettoyage. Il devrait être nettoyé fréquemment (à toutes les 4 ou 5 utilisations) afin d'éviter une accumulation de graisse. La graisse et les jus de cuisson s'accumulent dans le tiroir d'égouttement qui se trouve sous le grill. L'accumulation de graisse peut créer un risque de feu. Ne tapissez jamais votre tiroir d'égouttement avec du papier d'aluminium car ceci aurait pour effet de nuire à l'approvisionnement en air nécessaire au bon fonctionnement du brûleur. Le tiroir d'égouttement devrait être gratté à l'aide d'un couteau à mastic ou d'un grattoir.

NETTOYAGE DE L'EXTÉRIEUR DU GRIL : N'utilisez pas de produits abrasifs pour nettoyer les pièces en acier inoxydable. Pour nettoyer les surfaces en acier inoxydable, utilisez un nettoyeur à acier inoxydable ou un nettoyeur tout usage sans abrasif. Frottez toujours dans le sens du grain. N'utilisez pas de laine d'acier car elle égratignerait le fini et laisserait d'infimes particules de métal ferreux qui peuvent causer de la rouille. Les pièces en acier inoxydable vont décolorer de façon permanente sous l'effet de la chaleur pour habituellement prendre une teinte dorée ou brune. Cette décoloration est normale et n'affectera pas la performance du grill.

NETTOYAGE DU BRÛLEUR INFRAROUGE : En raison de la chaleur très intense du brûleur infrarouge, la plupart des jus de cuisson et des particules de nourriture qui tombent sur la surface de ce brûleur seront incinérés immédiatement. Cependant, certains résidus peuvent demeurer.

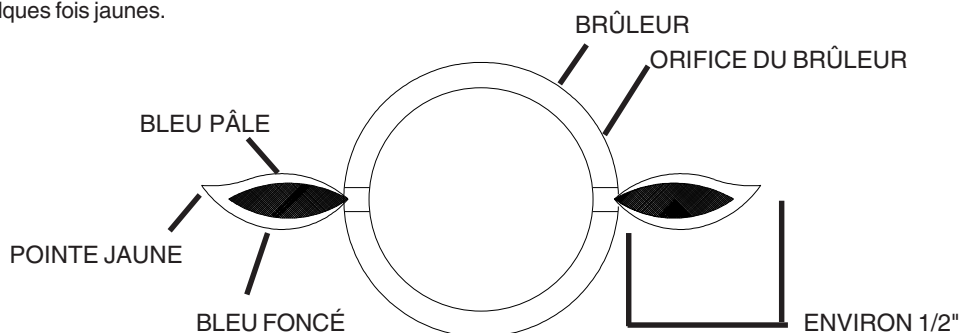
16 Pour enlever ces résidus après la cuisson, réglez le grill à "high" avec le couvercle ouvert pendant 5-10 minutes.

ENTRETIEN

Nous vous conseillons de faire inspecter ce gril à gaz annuellement par un technicien de service qualifié.

Fermez le gaz à la source et débranchez l'appareil avant d'effectuer un entretien. L'entretien devrait être effectué seulement lorsque le gril est froid pour éviter tous risques de brûlure. Un test de détection de fuites devrait être effectué annuellement ou à chaque fois qu'une pièce du système de gaz est remplacée.

RÉGLAGE DE L'AIR DE COMBUSTION - (Ceci doit être effectué par un installateur de gaz qualifié) : Le volet d'air est pré-réglé en usine et ne devrait pas nécessiter d'autres réglages lorsque le gril est utilisé dans des conditions normales. Cependant dans des conditions exceptionnelles, un réglage peut s'avérer nécessaire. Lorsque le volet d'air est réglé correctement, les flammes seront bleu foncé avec des pointes bleu pâle ou quelques fois jaunes.



Si le brûleur ne reçoit pas assez d'air, les flammes seront jaunes et lâches, et produiront possiblement des dépôts de carbone. Si le brûleur reçoit trop d'air, les flammes se détacheront du brûleur de façon irrégulière et causeront possiblement des problèmes d'allumage.

1. Desserrez la vis de verrouillage du volet d'air située sous le boîtier du régulateur/allumeur et ouvrez ou fermez le volet d'air selon le cas. Le réglage normal pour le brûleur en tube est de 1/8".
2. Allumez le brûleur et réglez-le à "high". Inspectez visuellement les flammes. Lorsque le volet est réglé, fermez le régulateur et serrez la vis de verrouillage. Prenez soin de ne pas déplacer le volet d'air en serrant la vis de verrouillage.
3. Le brûleur infrarouge n'a pas de réglage de volet d'air.

BRÛLEUR EN TUBE - Le brûleur est fabriqué d'acier inoxydable 304, mais puisqu'il est soumis à des chaleurs extrêmes et à un environnement corrosif, la corrosion superficielle finit par survenir. Utilisez une brosse en laiton pour enlever la corrosion superficielle. Nettoyez tous les orifices obstrués à l'aide d'un trombone déplié. N'agrandissez pas les orifices du brûleur. Les araignées et les insectes sont attirés par l'odeur du propane et du gaz naturel. Le brûleur est équipé d'un protecteur contre les insectes sur les venturis, ce qui réduira la possibilité que des insectes fassent leur nid à l'intérieur du brûleur, mais il n'élimine pas complètement le problème. Le nid ou la toile causera le brûleur à produire une flamme lâche de couleur jaune ou orange ou causera un feu (retour de flamme) au niveau du volet d'air sous le boîtier du régulateur. Pour nettoyer l'intérieur du brûleur vous devez le retirer du gril. Retirez la grille de cuisson et la plaque de brûleur. Retirez la vis qui fixe le brûleur à la paroi latérale du gril. Retirez le régulateur. Glissez le brûleur vers l'avant et vers le haut pour le retirer. Utilisez une brosse flexible de venturi pour nettoyer l'intérieur du brûleur. Secouez tous les débris hors du brûleur en les faisant sortir par l'ouverture de l'arrivée du gaz. Assurez-vous que les orifices du brûleur ne sont pas obstrués. Nettoyez tous les orifices obstrués à l'aide d'un trombone déplié. Assurez-vous que le protecteur contre les insectes est propre et exempt de fibres ou autres débris. Vérifiez également que l'orifice de la soupape est propre. N'agrandissez surtout pas l'orifice. Réinstallez le brûleur en suivant la procédure inverse. Lors de la réinstallation, assurez-vous que l'orifice du régulateur pénètre dans le brûleur. Remettez en place la plaque de brûleur et serrez la vis afin de compléter l'installation.

PROTECTION DU BRÛLEUR INFRAROUGE - Le brûleur infrarouge de votre gril est conçu pour vous offrir une longue durée de vie. Cependant, certaines précautions doivent être prises afin d'éviter que les surfaces en céramiques ne fissurent, causant ainsi un mauvais fonctionnement du brûleur. Vous trouverez ci-dessous les causes de fissuration les plus courantes ainsi que les moyens à prendre pour les éviter. Tout dommage résultant d'une négligence de votre part à observer les consignes ci-dessous ne sera pas couvert par la garantie.

1. Impact avec des objets durs - Ne laissez jamais d'objets durs cogner la céramique. Faites très attention lorsque vous retirez ou installez la grille de cuisson et autres accessoires dans votre gril. Si ces objets devaient tomber sur la céramique, elle risque très probablement de fissurer.
2. L'eau et les autres liquides - Des liquides froids qui entrent en contact avec des surfaces chaudes en quantité considérable risquent de fissurer la surface de la céramique. Ne jetez jamais d'eau dans le gril pour éteindre des poussées de flamme. De plus, si la céramique ou l'intérieur d'un brûleur deviennent mouillés alors qu'ils ne sont pas en fonction, le brûleur risque de produire de la vapeur d'eau au prochain usage, ce qui peut produire suffisamment de pression pour faire fissurer la céramique. Le trempage répété de la céramique la fera dilater et prendre de l'expansion. Cette expansion causera des pressions anormales sur la céramique et risque de la faire fissurer et s'effriter.
 - i) Ne jamais jeter d'eau dans le gril pour contrôler les poussées de flamme.
 - ii) Ne faites pas fonctionner le brûleur infrarouge sous la pluie.
 - iii) Si vous découvrez de l'eau dans votre gril (provenant de la pluie, d'arroisirs, etc.), vérifiez si elle est entrée en contact avec la céramique.

Si la céramique semble mouillée, retirez le brûleur du gril. Tournez-le à l'envers pour égoutter le surplus d'eau. Apportez le brûleur à l'intérieur et laissez-le sécher complètement.

3. Mauvaise évacuation de l'air chaud sortant du gril - Pour que le brûleur fonctionne adéquatement, l'air chaud doit pouvoir s'échapper du gril. Si l'air chaud
4. Ne nettoyez pas la tuile de céramique avec une brosse métallique. Si des débris s'accumulent sur le brûleur, allumez simplement le brûleur et faites fonctionner à "HIGH" pendant cinq minutes avec le couvercle ouvert, permettant aux débris de se consumer.

GUIDE DE DÉPANNAGE

Problème	Causes possibles	Solutions
Faible chaleur/petite flamme lorsque le bouton de contrôle est à "high".	Le débit du gaz est bloqué. Mauvais préchauffage. La bonbonne ne suffit pas à la demande.	Vérifiez pour des toiles d'araignée à l'intérieur du brûleur ou de l'orifice. Préchauffez le gril en allumant le brûleur à "high" pendant 5 à 10 minutes Après de longues périodes de cuisson ou lorsque la bonbonne est presque vide ou que la température extérieure est basse, les bonbonnes de 1 lb n'ont pas suffisamment de vaporisation pour permettre au propane liquide de se transformer en gaz. Installez une nouvelle bonbonne de 1 lb ou branchez le gril à une bonbonne de 20 lb.
Poussées de flamme excessives/chaleur inégale.	Plaque de brûleur mal installée. Mauvais préchauffage Accumulation excessive de graisse et de cendres sur les plaques de brûleur et dans le tiroir d'égouttement.	Assurez-vous que la plaque est installée avec les trous orientés vers le côté droit du gril. Préchauffez le gril en allumant le brûleur à "high" pendant 5 à 10 minutes Nettoyez la plaque de brûleur et le tiroir d'égouttement régulièrement. Ne tapissez pas le tiroir d'égouttement avec du papier d'aluminium. Consultez les instructions de nettoyage.
Les flammes produites par les brûleurs sont jaunes et vous détectez une odeur de gaz.	Possibilité de toiles d'araignée ou autres débris, ou d'un mauvais ajustement du volet d'air.	Retirez le brûleur et nettoyez-le complètement. Consultez les instructions d'entretien. Ouvrez légèrement le volet d'air tout en vous conformant aux instructions de réglage du volet d'air.
Les flammes se détachent du brûleur, accompagnées d'une odeur de gaz et possiblement une difficulté d'allumage.	Mauvais ajustement du volet d'air.	Fermez légèrement le volet d'air tout en vous conformant aux instructions de réglage du volet d'air.
Le brûleur ne s'allume pas avec l'allumeur mais s'allume avec une allumette.	Le fil de l'électrode est endommagé. Le fil de l'électrode est relâché. L'électrode est craquée ou brisée. Pile déchargée / ou installée incorrectement.	Remplacez le fil. Assurez-vous que le fil de l'électrode soit poussé bien au fond et soit bien serré sur le terminal derrière l'allumeur. Remplacez l'électrode. Remplacez avec une pile AAA à grande capacité. Installez la pile avec la borne positive vers le haut.
La peinture semble peler à l'intérieur du couvercle ou de la hotte.	Accumulation de graisse sur les surfaces internes.	Ceci n'est pas un défaut. Le fini du couvercle est en acier inoxydable et ne pèlera pas. Le pelage est causé par la graisse qui durcit et sèche comme des éclats de peinture qui pèlent. Un nettoyage régulier prévient ce problème. Consultez les instructions de nettoyage.
Le contrôle est réglé à "high" mais la chaleur générée par le brûleur est trop basse. (Grondement et flamme bleue irrégulière à la surface du brûleur.) Modèle infrarouge seulement.	Manque de gaz. Le tuyau d'alimentation en gaz est pincé. L'injecteur du brûleur est sale ou obstrué. Présence de toiles d'araignée ou autres débris dans le tube du venturi. Une tuile de céramique est fissurée.	Vérifiez le niveau de propane dans la bonbonne. Remplacez le tuyau d'alimentation convenablement. Nettoyez l'injecteur du brûleur. Nettoyez le tube du venturi. Commandez un brûleur de rechange auprès de votre détaillant autorisé Napoléon.
Le brûleur infrarouge produit des retours de flamme (pendant qu'il fonctionne, le brûleur fait subitement un bruit qui s'apparente à un "whoosh", suivi d'un bruit continu semblable à une lampe à souder et qui diminue en intensité.	Les tuiles de céramique sont surchargées de graisse de cuisson et d'accumulations, les orifices sont obstrués. Le brûleur a surchauffé dû à une ventilation inadéquate (trop grande surface de cuisson recouverte par des plaques de cuisson ou des plateaux). Des tuiles de céramique sont fissurées. Le joint d'étanchéité autour de la céramique n'est plus étanche, ou une soudure dans le boîtier du brûleur est cassée.	Fermez le brûleur et laissez-le refroidir pendant au moins deux minutes. Réallumez le brûleur et réglez-le à "high" pendant au moins cinq minutes ou jusqu'à ce que les tuiles deviennent uniformément incandescentes. Ne recouvrez pas plus que 75 % de la surface de cuisson avec des objets ou des accessoires. Fermez le brûleur et laissez-le refroidir pendant au moins deux minutes puis réallumez-le. Laissez le brûleur refroidir puis vérifiez de près pour des fissures. Si vous détectez des fissures, commandez un brûleur de rechange auprès de votre détaillant autorisé Napoléon. Contactez votre détaillant autorisé Napoléon pour obtenir des instructions sur l'achat d'un brûleur de rechange.

COMMANDE DES PIÈCES DE RECHANGE

Contactez le fabricant directement pour obtenir des pièces de rechange et faire des réclamations au titre de la garantie. Le département du service aux consommateurs est à votre disposition entre 9h00 et 17h00 (heure normale de l'Est) au 1-866-820-8686 ou par télécopieur au 1-705-727-4282. Pour qu'une réclamation soit traitée, l'information suivante est nécessaire :

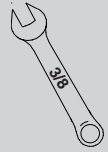
1. Modèle et numéro de série de l'appareil.
2. Numéro de la pièce et description.
3. Une description concise du problème ("cassé" n'est pas suffisant).
4. Preuve d'achat (copie de la facture).

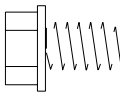
Dans certains cas, le département du service aux consommateurs peut demander de leur retourner la pièce pour des fins d'inspection avant de fournir une pièce de rechange. Les pièces doivent être expédiées port payé à l'attention du département du service aux consommateurs avec l'information suivante :

1. Modèle et numéro de série de l'appareil.
2. Une description concise du problème ("cassé" n'est pas suffisant).
3. Preuve d'achat (copie de la facture).
4. Un numéro d'autorisation de retour - fourni par le représentant du département du service aux consommateurs.

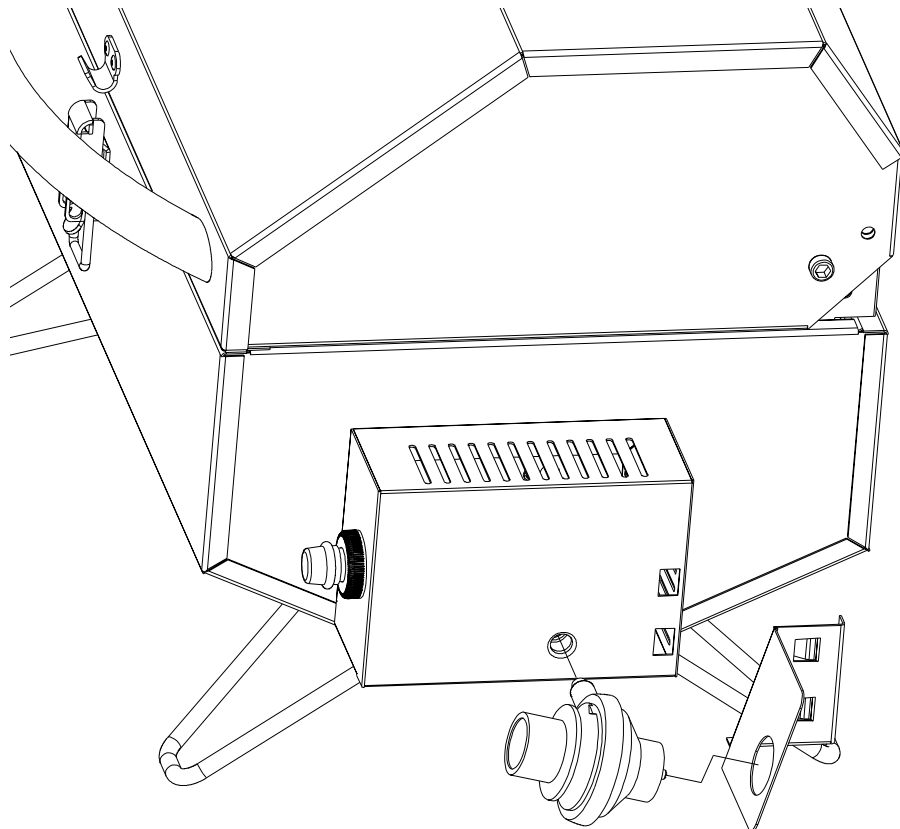
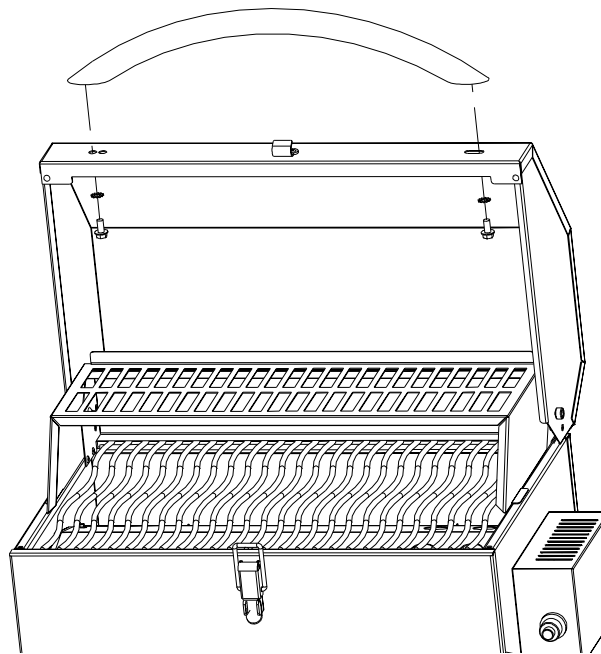
Avant de contacter le service aux consommateurs, veuillez prendre note que les items suivants ne sont pas couverts par la garantie :

- coûts de transport, de courtage et frais d'exportation
- coûts de main-d'oeuvre pour l'enlèvement et l'installation de la pièce
- coûts des appels de service pour diagnostiquer le problème
- décoloration des pièces en acier inoxydable
- bris des pièces suite à un manque d'entretien et de nettoyage, ou l'utilisation de nettoyeurs inappropriés (nettoyant à four).



2 x 
N570-0073 (1/4-20 X 3/8")

2 x 
N735-0009



Item # d'article	Part # / No de pièce	Part Description / Description de la pièce	P215	P1215
1	n010-0409	lid assembly / couvercle	x	x
2	w385-0045	NAPOLEON logo / logo NAPOLÉON	x	x
	w450-0005	logo spring clips / clips à ressort pour logo	x	x
3	n325-0043	lid handle / poignée de couvercle	x	x
4	n380-0008	hook / crochet	x	x
5	n735-0009	lockwasher / rondelle de blocage	x	x
6	n570-0073	screw 1/4-20 x 3/8" / vis 1/4-20 x 3/8"	x	x
7	n570-0056	screw, lid pivot / vis pivot du couvercle	x	x
8	n520-0015	warming rack / grille de réchaud	x	x
9	n335-0035	hood / hotte	x	x
10	n305-0062	cooking grid / grille de cuisson	x	x
11	n570-0020	screw #8-32 x 3/8" / vis #8-32 x 3/8"	x	
12	n735-0010	lockwasher / rondelle de blocage	x	x
13	n240-0015	electrode, infra-red burner / électrode, brûleur infrarouge		x
14	n565-0002	screen, infra-red burner / plaque de protection de brûleur infrarouge		x
15	n010-0411	burner, infra-red / brûleur infrarouge		x
16	n450-0025	locknut / écrou de blocage		x
17	n305-0043	searplate / plaque de brûleur	x	
18	n100-0028	burner, tube / brûleur en tube	x	
19	n240-0011	electrode, tube burner / électrode, brûleur en tube	x	
20	n450-0015	1/4" spring clip / clips à ressort 1/4"	x	
21	n010-0408	base / cuve	x	x
22	n380-0007	latch / loquet	x	x
23	n750-0015	leg / patte	x	x
24	n080-0163	leg retainer bracket - left / boîtier du patte - gauche	x	x
25	n080-0175	leg retainer bracket - right / boîtier du patte - droite	x	x
26	n570-0038	screw 1/4-20 x 1/2" / vis 1/4-20 x 1/2"	x	x
27	n010-0412	dripping / tiroir d'égouttement	x	x
28	n080-0148	regulator mounting bracket / boîtier du régulateur	x	x
29	n080-0154	regulator locking bracket / support de fixation du régulateur	x	x
30	n530-0011	regulator / régulateur	x	x
31	n357-0013	electronic igniter / allumeur électronique	x	x
32	n370-0365	kit, hitch/ball mount / fourmiment, accroc/balle mont	ac	ac
33	n370-0364	kit, wall mount / fourmiment, mur mont	ac	ac
34	n370-0366	kit, marine rail mount / fourmiment, marine barre mont	ac	ac
35	n370-0367	kit, dock/deck post mount / fourmiment, bassin/pont poste mont	ac	ac
36	n590-0120	front shelf / tablette avant	ac	ac
	n020-0109	carry bag / transporter sac	ac	ac
	n200-0066	cover / couvercle	ac	ac

x - standard AC - accessory AC - accessoire

NAPOLEON APPLIANCE CORPORATION ACCESSORIES / PARTS ORDER FORM

FAX TO: 1-705-727-4282

PLEASE PRINT CLEARLY

CUSTOMER NAME: _____

DATE: _____

ADDRESS: _____

MODEL #: _____

SERIAL #: _____

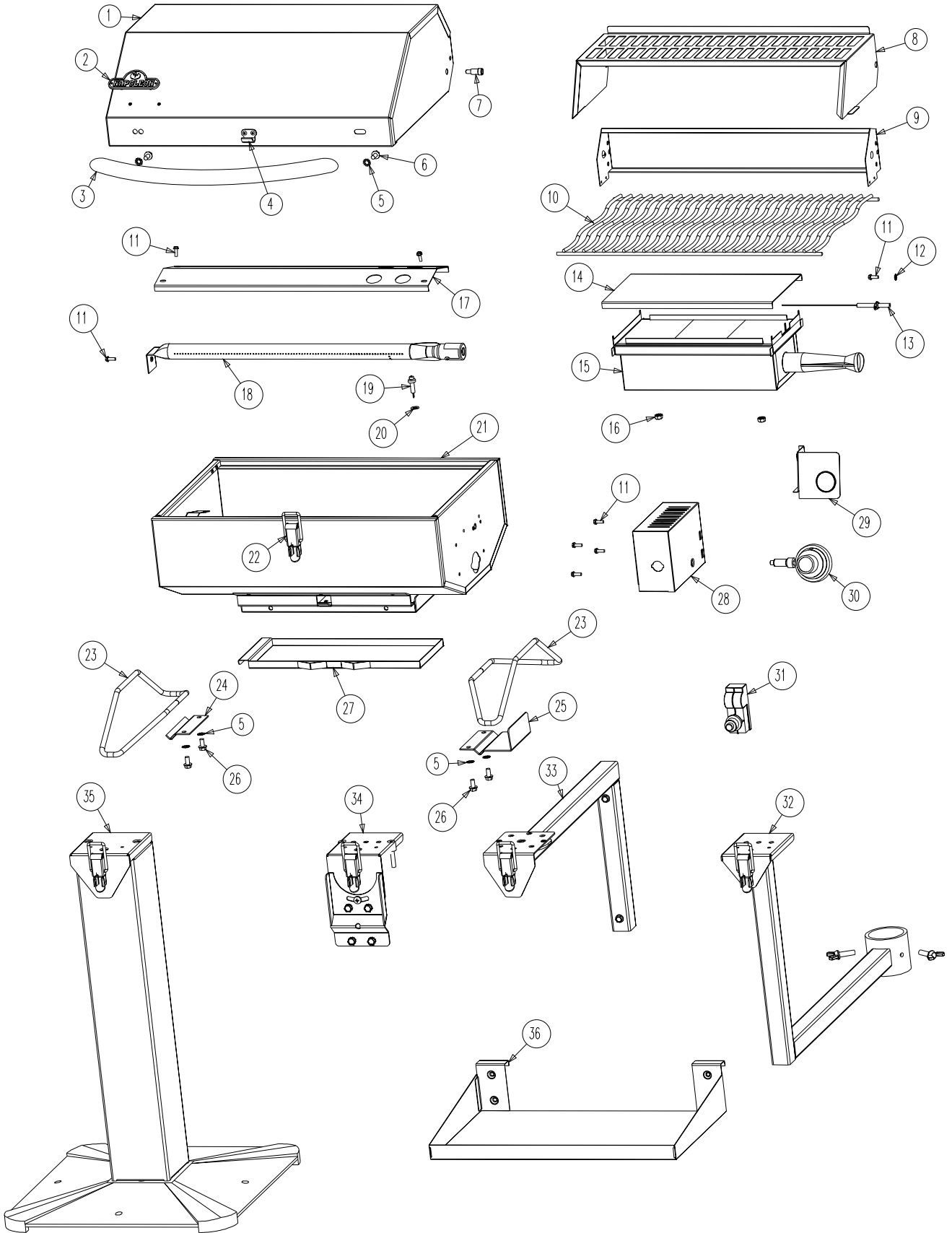
TELEPHONE: _____

VISA OR MASTERCARD #: _____

EXPIRY DATE: _____

QUANTITY	PRODUCT NUMBER	DESCRIPTION

TAXES & SHIPPING CHARGES MAY APPLY



ACCESSORY MOUNTING INSTRUCTIONS

WARNING:

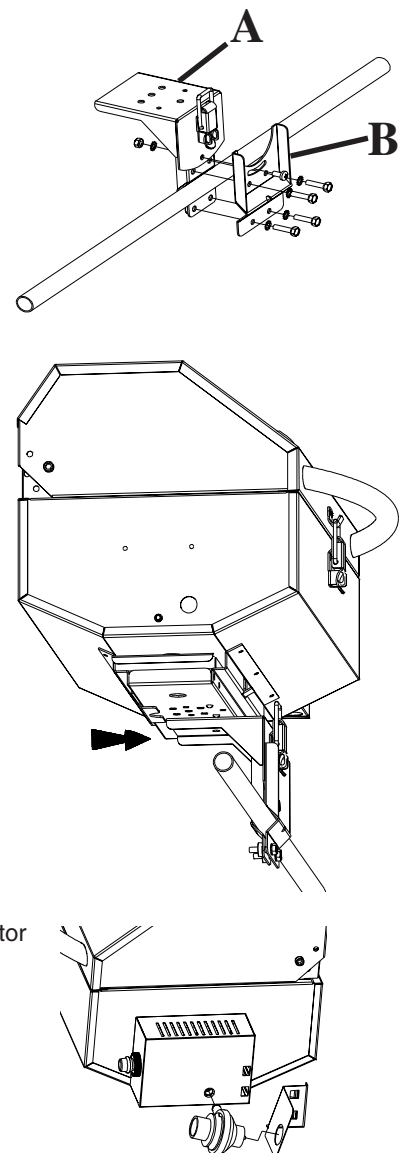
- This grill is not to be used while the vessel is in motion.
- When operating the grill on a vessel, only 8 oz cylinders that are DOT approved (2P/2Q) can be used in the United States. In Canada a 16 oz. cylinder may be used. These cylinders are available at your local marina or hardware store.
- This grill is not to be mounted on a railing while the boat is in motion. It is highly recommended that the grill head is removed and stored away before casting off.

Propane and butane can be more dangerous than gasoline. These gases are heavier than air. If they escape, they collect in the lower parts of the vessel and are very difficult to remove. Make sure all propane appliances and cylinders are properly secured, protected and ventilated, so that escaping gas can not reach bilges or other enclosed spaces. The equipment installation should meet Federal Government standards.

Make sure that all valves are working properly, and that all connections are tight. When used on a small vessel, this unit must be installed according to the manufacturer's instructions. This appliance is not to be installed on any small commercial vessel that is carrying passengers. Do not install or store this appliance in a manner that permits or is likely to permit ingress or trapping of the gas below deck. This grill is not to be operated within a cabin or any other enclosed area. This grill is to be used outdoors only.

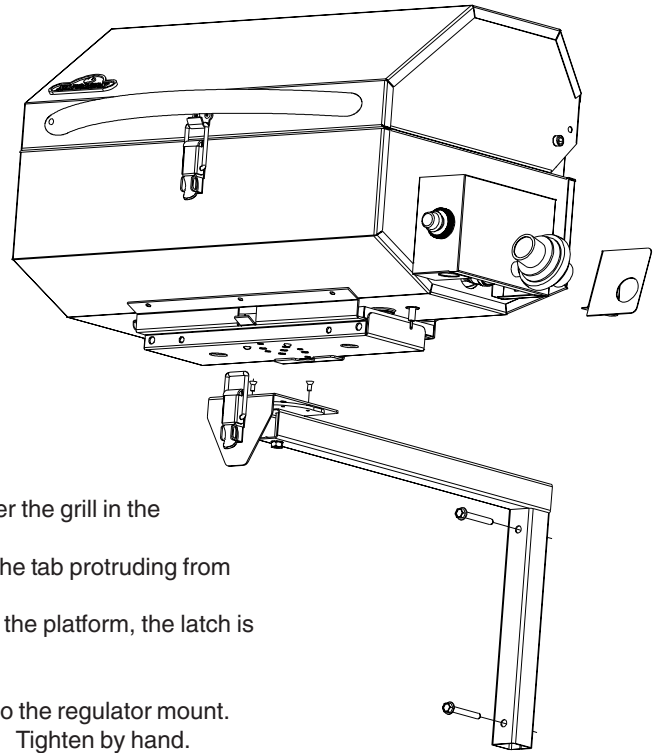
Rail Mount Instructions:

1. Place mount "A" on the outside of the railing, with the mounting platform facing up.
2. Attach mount "B" to mount "A" using the four 1/4-20 x 1" bolts.
3. Level the platform and tighten the top two bolts first. Be sure the platform is pinched tight before tightening the bottom two bolts.
4. The platform can also be adjusted left to right by loosening the top two bolts and centre pivot screw. Once the platform is adjusted, tighten all three fasteners.
5. Once the platform is level in both directions, the grill can be mounted:
 - a. Lock the lid of the grill closed with the latch.
 - b. Hold the grill by the handle with one hand, place the other hand under the grill in the centre of the front tapered surface.
 - c. Place the grill bottom on the platform and slide it forward to engage the tab protruding from the bottom of the grill. Ensure that the tab is properly engaged.
 - d. When the dimples on the bottom of the unit line up with the holes on the platform, the latch is ready to be fastened.
6. Under extreme conditions, the bracket may pivot around the railing. A centre hole has been provided to allow a bolt to be fastened through the rail to prevent the grill from pivoting on the rail.
7. Once the grill has been attached, thread the regulator (clockwise) into the regulator mount. On tube burner version, lift the burner slightly to align it with the orifice. Tighten by hand.
8. To fasten the regulator locking bracket, locate it at the bottom back corner of the regulator mount and turn the regulator until the gas inlet is aligned with the hole in the regulator locking bracket. Slide the locking bracket forward until the two tabs engage into the slots on the regulator mount. Tap in firmly.
9. Attach the cylinder to the regulator by turning clockwise. (Be sure not to cross thread the cylinder.)



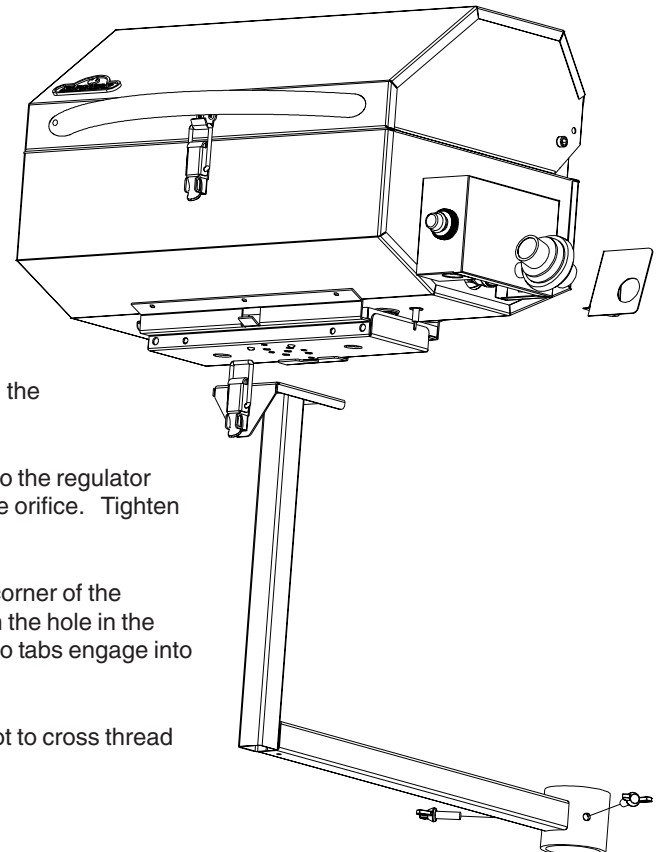
Wall Mounting Instructions:

1. Using the two holes provided in the vertical tube, mount the bracket to the wall.
2. Ensure minimum clearance to combustibles are maintained, 4" (100mm) to sides, and 6" (150mm) from the rear.
3. Do not locate the grill under unprotected combustible construction.
4. The platform may be swivelled by removing the two #8 x 3/8" flathead phillips screws and turning the platform to the desired angle. Replace the two screws and tighten.
5. Once the platform is located in the desired position, the grill can be mounted:
 - a. Lock the lid of the grill closed with the latch.
 - b. Hold the grill by the handle with one hand, place the other hand under the grill in the centre of the front tapered surface.
 - c. Place the grill bottom on the platform and slide it forward to engage the tab protruding from the bottom of the grill. Ensure that the tab is properly engaged.
 - d. When the dimples on the bottom of the unit line up with the holes on the platform, the latch is ready to be fastened.
6. Once the grill has been attached, thread the regulator (clockwise) into the regulator mount. On tube burner version, lift the burner slightly to align it with the orifice. Tighten by hand.
7. To fasten the regulator locking bracket, locate it at the bottom back corner of the regulator mount and turn the regulator until the gas inlet is aligned with the hole in the regulator locking bracket. Slide the locking bracket forward until the two tabs engage into the slots on the regulator mount. Tap in firmly.
8. Attach the cylinder to the regulator by turning clockwise. (Be sure not to cross thread the cylinder.)



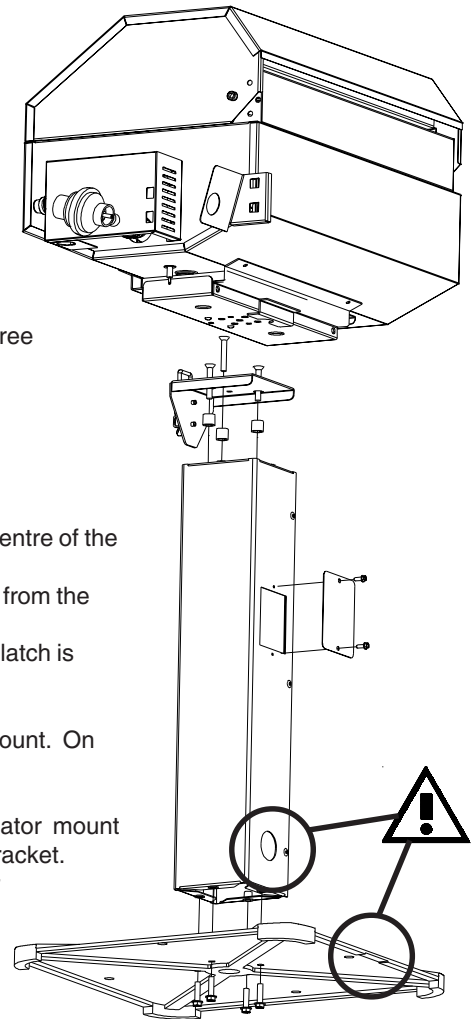
Trailer Ball Mounting Instructions:

1. Place the ball mount over the ball on your drawbar or bumper.
2. Tighten the two wing screws until the mount is firmly held in place.
3. Once the mounting arm is tight, the grill can be mounted:
 - a. Lock the lid of the grill closed with the latch.
 - b. Hold the grill by the handle with one hand, place the other hand under the grill in the centre of the front tapered surface.
 - c. Place the grill bottom on the platform and slide it forward to engage the tab protruding from the bottom of the grill. Ensure that the tab is properly engaged.
 - d. When the dimples on the bottom of the unit line up with the holes on the platform, the latch is ready to be fastened.
4. Once the grill has been attached, thread the regulator (clockwise) into the regulator mount. On tube burner version, lift the burner slightly to align it with the orifice. Tighten by hand.
5. To fasten the regulator locking bracket, locate it at the bottom back corner of the regulator mount and turn the regulator until the gas inlet is aligned with the hole in the regulator locking bracket. Slide the locking bracket forward until the two tabs engage into the slots on the regulator mount. Tap in firmly.
6. Attach the cylinder to the regulator by turning clockwise. (Be sure not to cross thread the cylinder.)



Post Mounting Instructions:

1. Remove all the parts from the packaging.
2. Attach the post to the casting using four 1/4-20 x 1" hex head bolts. Ensure that the holes on the back side of the post face the same direction as the groove on the bottom back of the foot casting.
3. Place the spacers provided on the three nutserts that are closest to the front of the post.
4. Place the platform with the latch to the front onto the three spacers. Attach with the three 1/4-20 x 1 3/4" flat head bolts. Tighten firmly in place.
5. Attach the back post cover with the two #8 screws provided.
6. Once the post is completely assembled, the grill can be mounted:
 - a. Lock the lid of the grill closed with the latch.
 - b. Hold the grill by the handle with one hand, place the other hand under the grill in the centre of the front tapered surface.
 - c. Place the grill bottom on the platform and slide it forward to engage the tab protruding from the bottom of the grill. Ensure that the tab is properly engaged.
 - d. When the dimples on the bottom of the unit line up with the holes on the platform, the latch is ready to be fastened.
7. Once the grill has been attached, thread the regulator (clockwise) into the regulator mount. On tube burner version, lift the burner slightly to align it with the orifice. Tighten by hand.
8. To fasten the regulator locking bracket, locate it at the bottom back corner of the regulator mount and turn the regulator until the gas inlet is aligned with the hole in the regulator locking bracket. Slide the locking bracket forward until the two tabs engage into the slots on the regulator mount. Tap in firmly.
9. Attach the cylinder to the regulator by turning clockwise. (Be sure not to cross thread the cylinder.)



INSTRUCTIONS POUR LES ENSEMBLES DE SUPPORT

AVERTISSEMENT :

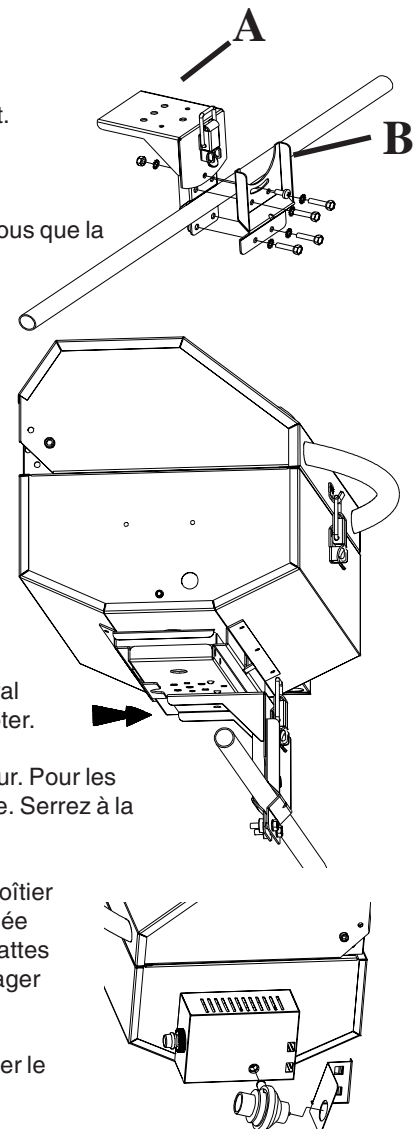
- Ce gril ne doit pas être utilisé lorsque le bateau est en mouvement.
- Lorsque vous utilisez le gril sur un bateau, seules des bonbonnes de 8 oz certifiées DOT (2P/2Q) peuvent être utilisées aux États-Unis. Au Canada, des bonbonnes de 16 oz peuvent être utilisées. Ces bonbonnes sont disponibles à votre marina locale ou dans une quincaillerie.
- Ce gril ne doit pas être installé sur un rail lorsque le bateau est en mouvement. Il est fortement recommandé de retirer le gril et de le ranger avant de larguer les amarres.

Le propane et le butane peuvent être plus dangereux que l'essence. Comme ils sont plus lourds que l'air, lorsqu'ils s'échappent, ils s'accumulent dans les fonds du navire et il est très difficile de les évacuer. Assurez-vous que tous les appareils et toutes les bouteilles de propane sont bien saisis sur le pont, bien protégés et ventilés, de sorte que le gaz qui s'en échapperait ne puisse pas atteindre les fonds ni d'autres espaces clos. L'installation de l'équipement devrait satisfaire aux normes fédérales.

Assurez-vous que toutes les soupapes fonctionnent bien et que tous les raccords sont bien serrés. Lorsque cet appareil est utilisé sur un petit bateau, il doit être installé conformément aux instructions du fabricant. Cet appareil ne doit pas être installé sur des petits bateaux commerciaux qui transportent des passagers à son bord. N'installez pas ou ne rangez pas cet appareil de façon à permettre aux fuites de gaz de s'accumuler dans la cale du bateau. Ne faites pas fonctionner ce gril dans une cabine ou tout autre endroit fermé. Ce gril doit être utilisé à l'extérieur seulement.

Instructions pour le support pour rail de bateau :

1. Placez le support "A" du côté extérieur du rail, avec la plateforme faisant face vers le haut.
2. Fixez le support "B" au support "A" à l'aide des quatre boulons 1/4-20 x 1".
3. Mettez la plateforme de niveau et serrez d'abord les deux boulons supérieurs. Assurez-vous que la plateforme est solidement fixée avant de serrer les deux boulons inférieurs.
4. Vous pouvez aussi ajuster la plateforme de gauche à droite en desserrant les deux boulons supérieurs et la vis pivot centrale. Lorsque la plateforme est ajustée, serrez la vis pivot et les boulons.
5. Une fois que la plateforme est de niveau sur ses deux axes, vous pouvez installer le gril :
 - a. Verrouillez le couvercle du gril avec le loquet de sécurité.
 - b. Placez une main sur la poignée du gril et l'autre main sous le gril, au centre de la surface en angle.
 - c. Placez le gril sur la plateforme et glissez-le vers l'avant pour engager la patte située sous le gril dans la plateforme. Assurez-vous que la patte est bien engagée.
 - d. Lorsque les bosselures sous le gril sont alignées avec les trous sur la plateforme, vous pouvez fixer le loquet de fixation.
6. Dans des conditions extrêmes, le support peut pivoter sur le rail du bateau. Un trou central est fourni pour permettre d'y insérer un boulon à travers le rail pour empêcher le gril de pivoter.
7. Une fois que le gril est fixé, vissez le régulateur (vers la droite) dans le boîtier du régulateur. Pour les appareils avec un brûleur en tube, soulevez légèrement le brûleur pour l'aligner avec l'orifice. Serrez à la main.
8. Pour fixer le support de fixation du régulateur, placez-le dans le coin inférieur arrière du boîtier du régulateur et tournez le régulateur jusqu'à ce que l'extrémité de l'entrée du gaz soit alignée avec le trou du support de fixation. Glissez le support vers l'avant jusqu'à ce que les deux pattes s'engagent dans les fentes sur le boîtier du régulateur. Donnez un coup sec pour bien engager les pattes.
9. Fixez la bonbonne au régulateur en vissant vers la droite. (Assurez-vous de ne pas fausser le filetage de la bonbonne.)



Instructions pour le support mural :

1. En vous servant des deux trous qui se trouvent sur le tube vertical, fixez le support mural au mur.

2. Assurez-vous que les dégagements minimums aux matériaux combustibles sont maintenus, 4" (100 mm) des côtés et 6" (150 mm) à l'arrière.

3. Ne placez pas le gril sous une construction combustible non protégée.

4. La plateforme peut pivoter en retirant les deux vis phillips à tête plate #8 x 3/8" et en tournant la plateforme à l'angle désiré. Remettez les deux vis et serrez.

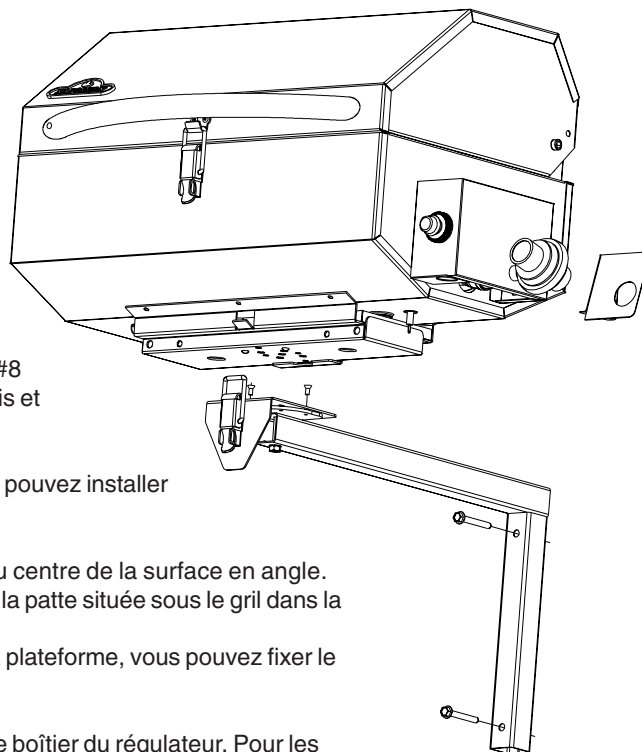
5. Une fois que la plateforme est installée dans la position désirée, vous pouvez installer le gril :

- Verrouillez le couvercle du gril avec le loquet de sécurité.
- Placez une main sur la poignée du gril et l'autre main sous le gril, au centre de la surface en angle.
- Placez le gril sur la plateforme et glissez-le vers l'avant pour engager la patte située sous le gril dans la plateforme. Assurez-vous que la patte est bien engagée.
- Lorsque les bosselures sous le gril sont alignées avec les trous sur la plateforme, vous pouvez fixer le loquet de fixation.

6. Une fois que le gril est fixé, vissez le régulateur (vers la droite) dans le boîtier du régulateur. Pour les modèles avec un brûleur en tube, soulevez légèrement le brûleur pour l'aligner avec l'orifice. Serrez à la main.

7. Pour fixer le support de fixation du régulateur, placez-le dans le coin inférieur arrière du boîtier du régulateur et tournez le régulateur jusqu'à ce que l'extrémité de l'entrée du gaz soit alignée avec le trou du support de fixation. Glissez le support vers l'avant jusqu'à ce que les deux pattes s'engagent dans les fentes sur le boîtier du régulateur. Donnez un coup sec pour bien engager les pattes.

8. Fixez la bonbonne au régulateur en vissant vers la droite. (Assurez-vous de ne pas fausser le filetage de la bonbonne.)



Instructions pour le support d'attache de remorque :

1. Placez le support d'attache par-dessus la boule d'attelage située sur la barre de traction ou le pare-chocs.

2. Serrez les deux vis à oreilles jusqu'à ce que le support d'attache tienne solidement en place.

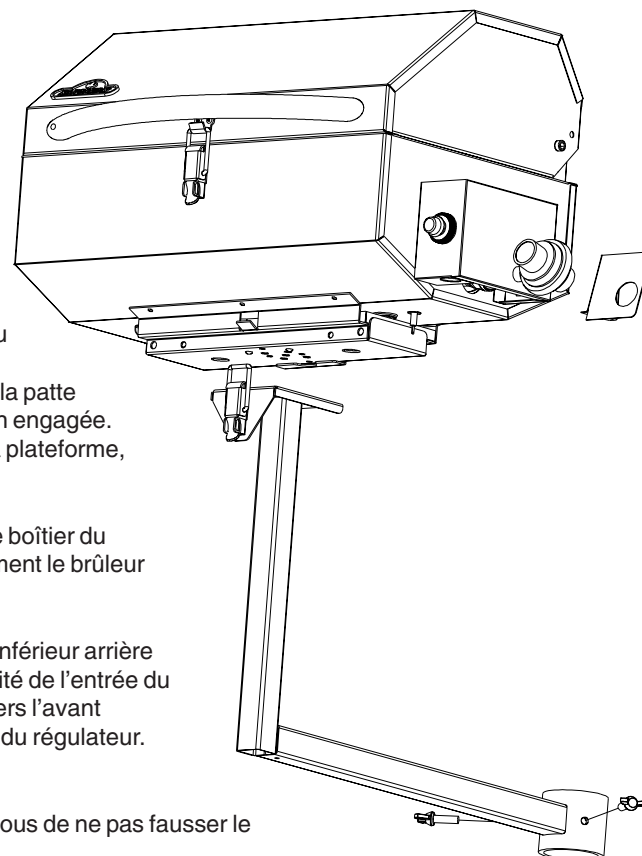
3. Une fois que le support d'attache est solidement fixé, vous pouvez installer le gril :

- Verrouillez le couvercle du gril avec le loquet de sécurité.
- Placez une main sur la poignée du gril et l'autre main sous le gril, au centre de la surface en angle.
- Placez le gril sur la plateforme et glissez-le vers l'avant pour engager la patte située sous le gril dans la plateforme. Assurez-vous que la patte est bien engagée.
- Lorsque les bosselures sous le gril sont alignées avec les trous sur la plateforme, vous pouvez fixer le loquet de fixation.

4. Une fois que le gril est fixé, visser le régulateur (vers la droite) dans le boîtier du régulateur. Pour les modèles avec un brûleur en tube, soulevez légèrement le brûleur pour l'aligner avec l'orifice. Serrez à la main.

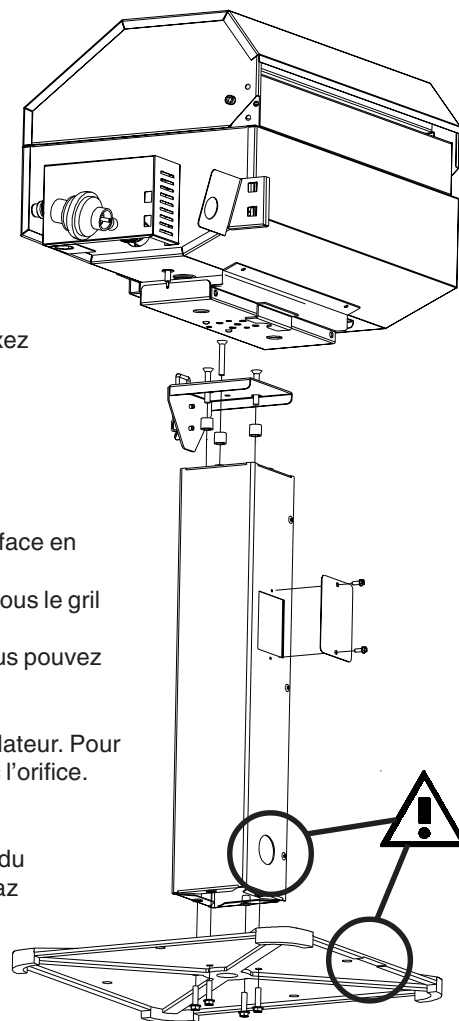
5. Pour fixer le support de fixation du régulateur, placez-le dans le coin inférieur arrière du boîtier du régulateur et tournez le régulateur jusqu'à ce que l'extrémité de l'entrée du gaz soit alignée avec le trou du support de fixation. Glissez le support vers l'avant jusqu'à ce que les deux pattes s'engagent dans les fentes sur le boîtier du régulateur. Donnez un coup sec pour bien engager les pattes.

6. Fixez la bonbonne au régulateur en vissant vers la droite. (Assurez-vous de ne pas fausser le filetage de la bonbonne.)



Instructions pour le support sur poteau :

1. Sortez toutes les pièces de l'emballage.
2. Fixez le poteau à la base en fonte à l'aide de quatre boulons à tête hexagonale 1/4-20 x 1". Assurez-vous que les trous à l'arrière du poteau soient orientés dans la même direction que les trous à l'arrière de la base en fonte.
3. Placez les espaceurs fournis sur les trois filets rapportés les plus rapprochés de l'avant du poteau.
4. Placez la plateforme avec le loquet situé à l'avant, par-dessus les trois espaceurs. Fixez la plateforme à l'aide des trois boulons à tête plate 1/4-20 x 1 3/4". Serrez solidement.
5. Fixez le couvercle arrière du poteau à l'aide des deux vis #8 fournies.
6. Une fois que le poteau est entièrement assemblé, vous pouvez installer le gril :
 - a. Verrouillez le couvercle du gril avec le loquet de sécurité.
 - b. Placez une main sur la poignée du gril et l'autre main sous le gril, au centre de la surface en angle.
 - c. Placez le gril sur la plateforme et glissez-le vers l'avant pour engager la patte située sous le gril dans la plateforme. Assurez-vous que la patte est bien engagée.
 - d. Lorsque les bosselures sous le gril sont alignées avec les trous sur la plateforme, vous pouvez fixer le loquet de fixation.
7. Une fois que le gril est fixé, visser le régulateur (vers la droite) dans le boîtier du régulateur. Pour les modèles avec un brûleur en tube, soulevez légèrement le brûleur pour l'aligner avec l'orifice. Serrez à la main.
8. Pour fixer le support de fixation du régulateur, placez-le dans le coin inférieur arrière du boîtier du régulateur et tournez le régulateur jusqu'à ce que l'extrémité de l'entrée du gaz soit alignée avec le trou du support de fixation. Glissez le support vers l'avant jusqu'à ce que les deux pattes s'engagent dans les fentes sur le boîtier du régulateur. Donnez un coup sec pour bien engager les pattes.
9. Fixez la bonbonne au régulateur en vissant vers la droite. (Assurez-vous de ne pas fausser le filetage de la bonbonne.)



Free Manuals Download Website

<http://myh66.com>

<http://usermanuals.us>

<http://www.somanuals.com>

<http://www.4manuals.cc>

<http://www.manual-lib.com>

<http://www.404manual.com>

<http://www.luxmanual.com>

<http://aubethermostatmanual.com>

Golf course search by state

<http://golfingnear.com>

Email search by domain

<http://emailbydomain.com>

Auto manuals search

<http://auto.somanuals.com>

TV manuals search

<http://tv.somanuals.com>