

SERIAL / SÉRIE# _____



DECORATIVE INDOOR WATERFALLS
THAT PURIFY AND HUMIDIFY THE AIR

WF 6/9/18
WF9ST



MANUFACTURED BY / MANUFACTURE PAR: **NAPOLEON APPLIANCE CORP.**,
214 BAYVIEW DR., BARRIE, ONTARIO, CANADA L4N 4Y8 PHONE: (705)726-4278
FAX: (705)725-2564 EMAIL: ask@nac.on.ca WEB SITE: www.napoleongrills.com

RETAIN THIS MANUAL FOR FUTURE REFERENCE
GARDER CE LIVRE POUR RÉFÉRENCES FUTURES

N415-0128 / NOV16/06



NAPOLEON waterfalls are manufactured under the strict Standard of the world recognized ISO 9001-2000 Quality Assurance Certificate.

NAPOLEON products are designed with superior components and materials, and are assembled by trained craftsmen who take great pride in their work. Every component is thoroughly inspected by a qualified technician before packaging and shipping to ensure that you, the customer, receive the quality product you expect from NAPOLEON.

NAPOLEON WATERFALL PRESIDENT'S WARRANTY

NAPOLEON warrants the materials and workmanship in your new NAPOLEON Waterfall against defects for a period of one year. This excludes filters, light bulbs, and UV light bulbs.

NAPOLEON shall not be liable for any transportation charges, labour costs, installation or removal costs, water damage or export duties.

CONDITIONS AND LIMITATIONS

"NAPOLEON warrants its products against manufacturing defects to the original purchaser only (ie., the individual or legal entity (registered customer) whose name appears on the warranty registration card filed with NAPOLEON), provided that the purchase was made through an authorized NAPOLEON dealer and is subject to the following conditions and limitations:"

This factory warranty is non-transferable and may not be extended what-so-ever by any of our representatives.

The waterfall must be installed by a licenced, authorized service technician or contractor. Installation must be done in accordance with the installation instructions included with the product and all local and national building codes.

This limited warranty does not cover damages caused by misuse, lack of maintenance, hostile environments, accident, alterations, abuse or neglect and parts installed from other manufacturers will nullify this warranty.

This limited warranty further does not cover any scratches, dents, rust, painted finishes, abrasive and chemical cleaners, nor chipping on porcelain enamel parts, nor any components used in the installation of the waterfall.

Should deterioration of parts occur to the degree of non-performance within the duration of the warranted coverage, a replacement part will be provided.

In the first year only, this warranty extends to the replacement of warranted parts which are defective in material or workmanship provided that the product has been operated in accordance with the operation instructions and under normal conditions.

NAPOLEON will not be responsible for the installation, labour or any other costs or expenses related to the re-installation of a warranted part, and such expenses are not covered by this warranty.

Notwithstanding any provision contained in this President's Warranty NAPOLEON's responsibility under this warranty is defined as above and it shall not in any event extend to any incidental, consequential, or indirect damages.

This warranty defines the obligation and liability of NAPOLEON with respect to the NAPOLEON waterfall and any other warranties expressed or implied with respect to this product, its components or accessories are excluded.

NAPOLEON neither assumes, nor authorizes any third party to assume, on its behalf, any other liabilities with respect to the sale of this product.

Any damages to the waterfall due to weather damage, hail, rough handling, damaging chemicals or cleaners will not be the responsibility of NAPOLEON.

The bill of sale or copy will be required together with a serial number and a model number when making any warranty claims from NAPOLEON. The warranty registration card must be returned within fourteen days to register the warranty or you can register on-line at www.napoleongrills.com.

NAPOLEON reserves the right to have its representative inspect any product or part prior to honouring any warranty claim.

NAPOLEON shall not be liable for any transportation charges, labour costs, installation or removal cost, water damage or export duties.

INDOOR AIR QUALITY

Your new NAPOLEON waterfall will dramatically improve the indoor air quality in your home. The waterfall is a natural humidifier which helps alleviate dry skin and allergies. This is extremely beneficial in dry climates and also cold climates where forced air furnaces dry the air. The waterfall also cleans the air by attracting contaminants. Moving water attracts airborne particles, such as dust, pet dander, pollen and other pollutants. The waterfall draws these particles into the water, which is then filtered through a 5 micron filter before being recirculated. The result is cleaner, fresher, humidified air. Waterfalls also generate negative ions. These odourless tasteless invisible molecules are created in nature as air molecules break apart due to sunlight, radiation, and moving air and water. Researchers now believe that negative ions aid in alleviating depression, reducing stress and boosting energy.

INSTALLATION TOOLS AND MATERIALS REQUIRED

Before you begin hooking up the fountain ensure that you have access to the following materials and tools.

Tools:

- utility knife
- adjustable wrench
- 3/8" nut driver
- pliers
- flat screw driver

Materials:

- saddle valve and 1/4" tubing (ice maker plumbing kit) (required if unit is being connected to house water supply)
- teflon tape
- possible additional 1/2" i.d. tubing and 3/4" i.d. tubing depending on location of unit.
- liquid TSP (Trisodium Phosphate) or TSP Substitute cleaner

APPROPRIATE LOCATION

There are several things to consider when choosing the appropriate location to install your waterfall.

The waterfall is designed to be installed into a 2" x 4" interior wall. The waterfall should not be installed in a load bearing wall, unless it can be framed in with proper supports and headers as required by your local building codes. Check with your local building authority for specifications. Installing the waterfall in an exterior wall is not recommended, as it cannot be properly insulated. If there are no suitable alternative locations, then the waterfall can be installed in a 2" x 6" wall using rigid foam insulation between the exterior of the house and the back of the fountain. The waterfall cannot be installed in a 2" x 4" exterior wall.

The see-thru waterfall only has water running down one side of the glass, so thought should be given as to which direction the unit is mounted. The side with the manifold is the side with the water flow. The see-thru waterfall is not designed to be air tight like a window and cannot be placed on an exterior wall. If being placed between rooms where privacy may be a concern, a clouded or patterned glass can be used. Some noise will also travel between the two rooms that share the waterfall.

The lights, pump and optional UV-light require power. Make sure you choose a location that has the available power within reach of the supplied electrical cords. The receptacle must be GFI (ground fault interrupt) protected. Electrical work must be done by a qualified electrician. Check with your local building authority for specifications for your area. Do not run extension cords behind walls.

An area to locate the pump module is also required. It should be located as close to the fountain as possible and in a location that is easily accessible for servicing and maintaining the module. For every 1 foot that the pump module is located away from the fountain unit, 1 inch of drop is required from the fountain basin drain outlet to the pump module drain inlet.

The waterfall is designed to be connected to a water source, to automatically refill the basin as water evaporates, and to a drain, in case of accidental overflow. The unit can be operated without the water source connection, but is not recommended. The water will evaporate naturally and will require additional water to ensure proper flow and pump operation. Damage to the pump incurred by running dry is not covered by warranty. The waterfall must be hooked-up to a drain which will allow the tank to be purged for routine cleaning, and will prevent the unit from overflowing if the float valve malfunctions.

Water damage to surrounding objects in your home is not covered in your NAPOLEON warranty. The waterfall is designed to not splash, however if it is not properly installed or maintained, some splashing may occur. Protect delicate nearby surfaces that could be damaged by splashing. Do not trim with materials that can be damaged by moisture such as particle board or MDF. It is best to install the unit in stone, marble, glass, tile etc.

Although your NAPOLEON Waterfall will be beneficial to the air quality of your home, excess moisture can lead to the formation of mold and mildew. It is recommended that all homes have some form of humidity control and air exchange system to prevent such an occurrence.

WATER

Water is perhaps the most critical component in the waterfall. Dirty or contaminated water will quickly cause operational problems with your waterfall. House water must be softened and filtered if the unit is to be connected to the water supply. RO (Reverse Osmosis) water will give the best results, and require the least amount of maintenance. If the unit is not being connected to the house supply, distilled bottled water is recommended. The provided filter and optional UV-light cannot prevent hard water deposits from forming on the surfaces of your waterfall. Hard water will also cause plugged passages and manifold ports, reducing the flow effect on the waterfall surface. The life-span of the pump will also be adversely affected due to the use of hard water. Use of RO or distilled water is by far the best way of ensuring years of carefree enjoyment from your waterfall.

The provided sediment filter will help prevent clogging of the manifold ports that disperse the water down the face of the waterfall. The water that flows down the face will attract dust, debris particles and mould spores that are floating in the air in your home. This will help to naturally filter the air you breathe and keep your home cleaner. However the filter will become contaminated and the water flow will be reduced over time. We recommend that the filter be replaced whenever the waterfall is cleaned, every 3-4 months or sooner as deemed necessary by poor water flow. The filters can be purchased through your authorized NAPOLEON dealer.

The optional ultraviolet-light will help destroy any green algae, bacteria, mould or mildew found in the water. Flowing water is fairly resistant to this kind of growth, but in time the water will become contaminated and the system will have to be flushed and thoroughly cleaned. Not only unsightly but mould and bacteria growth will plug the manifold ports, reducing the flow of water and can damage the water pump over time. The optional UV-light will help to keep your waterfall relatively maintenance free by keeping the water cleaner for a longer period of time. The UV-bulb must be replaced every year to ensure proper operation. The UV-bulbs are available from your authorized NAPOLEON dealer.

The waterfall is designed to be connected directly to a water source. Waterfalls are natural humidifiers for the environment. The amount of water the waterfall consumes daily is dependant upon how dry the air is, and how large the waterfall surface is. There is a float valve that will open as the water level drops, allowing water to enter the system. This will ensure that the water level is kept at the height required for proper operation of the water pump. The pump should never be allowed to run dry and damage resulting from that will not be covered by warranty. If there is not a suitable water source to be had nearby, the waterfall can be installed as a stand-alone system, but the water level will have to be monitored frequently and supplemented as needed.

WATER PUMPS

The water pump supplied with your waterfall has been selected for its high flow volume, efficiency, quiet operation and reliability. The pump is suitable for pushing water to a height of 12 feet, however the flow is reduced greatly at that height. This must be kept in mind when finding a location for the pump and water basin, so the pump module must be located on the same floor as the fountain. The minimum space required for the pump module for the waterfall is 18" x 18" x 15" high. The system has a flow control valve after the filter that can be adjusted to provide the desired flow rate on the waterfall surface.

The pump must be kept submersed in water at all times while in operation. The water acts as a cooling agent for the pump, preventing the pump from overheating. Low water levels, frequently turning the pump on and off and impurities in the water from poor waterfall maintenance will shorten the life of the pump. If maintained properly, the pump will provide years of reliable service.

If you hear excessive noise coming from your pump, check first to see that you have enough water in the basin to keep the pump fully submersed below 1-2" of water. The pump should not be vibrating against the tub, but if it is, it can be isolated by placing a small piece of sponge between the pump and the basin. Be sure to not block or restrict in any way the pump's water inlet.

ELECTRICAL REQUIREMENTS

The waterfall will require 2 separate 110 volt electrical receptacles, one for the lights and one for the water pump. GFI receptacles must be used, because of the use of water and possibility of contact.

It is not required that the receptacles be wired on their own circuit, as the pump, lights and optional UV-light draw very little current. If there is already a heavy load elsewhere on that circuit or you have trouble with breakers tripping, a separate circuit will need to be installed. Any circuit wiring or GFI installation must be done by a qualified electrician. If you would like to be able to turn the fountain on and off, the receptacles should be wired to a wall switch. Two wall switched receptacles are recommended, one for the pump and UV-light (optional) and one for the lights. This will allow you to turn the lights on and off independently of the fountain.

INSTALLATION

The framing dimensions are included in the framing specifications drawing. The unit is designed to be installed after drywalling. For added protection water resistant drywall (green board) or cement board are recommended in the vicinity of the fountain. The fountain is designed to be attached to the studs over the drywall along both vertical sides of the fountain using drywall screws. This will leave a basically flush surface to trim over. Leak test the waterfall before fully enclosing. All trim used on the fountain should be made of real wood (not MDF), or any other material that is not damaged by moisture, with several coats of a water proof coating (paint or urethane) depending on the desired look. The bottom piece of trim can only be nailed at the ends, because it is mounted in front of the stainless basin. It should be siliconed to the stainless basin for additional support.

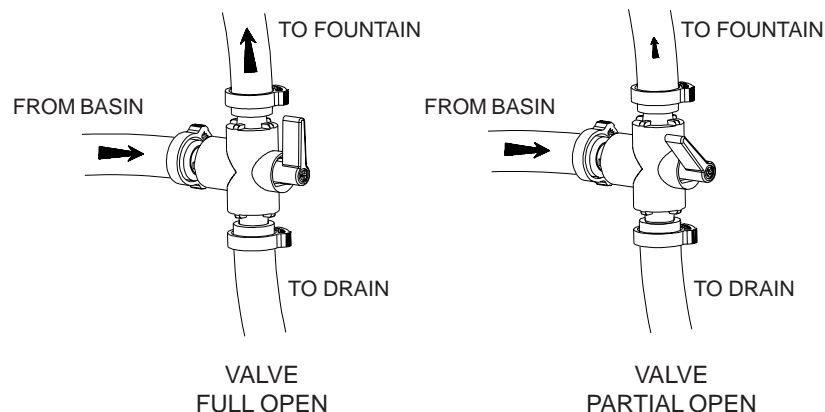
After installing the fountain, connect the piping as shown in the piping diagrams. The tubing to connect the unit overflow to the house drain is not supplied. If the unit is being connected to the water supply, use an ice maker plumbing kit (not supplied) to connect the water supply to the float valve. When the unit is operational, adjust the float valve so that it turns the water off when the top of the pump is submerged below 1-2" of water. Ensure that the wing nut on the side of the float valve is properly tightened. Connect the light wire to the terminals on the transformer.

WATERFALL SURFACE MATERIALS

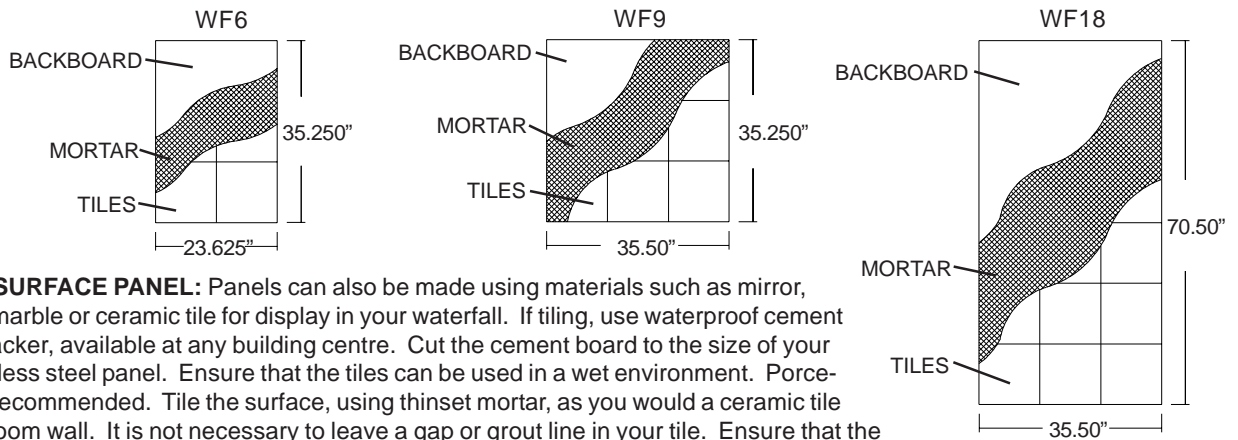
The waterfall models WF6, WF9, and WF18 are supplied with a stainless steel panel for the water to flow over. The surface of the stainless steel must be cleaned to remove any grease or oily materials left behind from the manufacturing process. The protective coating will also leave a residue behind. Any residue left on the surface, or oily residue from your hands, will repel the water and prevent a sheet of water from forming over the panel. This will give you thin streams of water with large dry spots in between. Cleaning the panel with liquid TSP (or TSP Substitute) will remove any residue or film that is impeding the progress of the water. Clean the panel thoroughly two or three times before the first use.

The See-Thru waterfall model is not supplied with any surface panel. The glass panel can be ordered from any glass and window dealer in your local area. There is no specific type of recommended glass, but the glass should be 1/4" thick. Clear glass displays the water flow pattern the best, but if privacy between the adjoining rooms is desired some type of smoked or opaqued glass will work as well.

Before starting the waterfall, the entire panel surface should be wet down, either by spray bottle, or wet cloth. This will help the water to spread evenly across the panel. The wave effect of water flowing down the panel, will be attained after the panel is covered in water. The wave pattern can be adjusted by increasing or restricting the flow of water with the valve at the side of the filter. Adjust the valve to achieve the effect that is most pleasing to your eye. It is important to remember that too little water flow can cause dry spots to reappear on the surface of the waterfall. You can increase the flow of water slightly until they disappear. Lightly rubbing a wet cloth or Scotchbrite pad (careful not to scratch the stainless steel surface), across the panel may be enough to remove any dry spots.



GROOVED LUXIDIO PANEL: An optional grooved LUXIDIO panel which enhances the ripple effect can be purchased at your authorized NAPOLEON dealer. This panel must be cleaned with liquid TSP (or TSP Substitute) before being placed in the unit, to prevent dust and debris from the manufacturing process from entering the water. Use caution when cleaning the grooves on the panel as the machined edges can be very sharp. The stainless steel panel must be removed before installing the LUXIDIO panel. Turn off the water before switching the panels. To remove the stainless steel panel, slide it upwards slightly, then swing the bottom of the panel towards you, clearing the panel retaining brackets. Slide the panel downwards and out of the fountain. Install the LUXIDIO panel in the reverse order. The LUXIDIO panel will require more water to achieve the same wave effect as the stainless panel, as the grooves will fill and retain water. Again any dry spots can be removed by rubbing horizontally with a Scotchbrite pad.



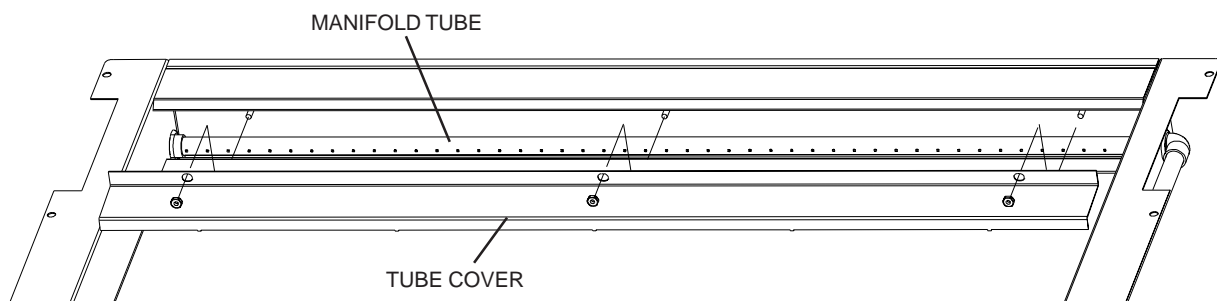
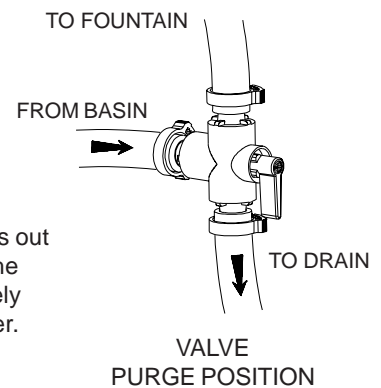
CUSTOM SURFACE PANEL: Panels can also be made using materials such as mirror, glass, slate, marble or ceramic tile for display in your waterfall. If tiling, use waterproof cement board as a backer, available at any building centre. Cut the cement board to the size of your existing stainless steel panel. Ensure that the tiles can be used in a wet environment. Porcelain tiles are recommended. Tile the surface, using thinset mortar, as you would a ceramic tile floor or bathroom wall. It is not necessary to leave a gap or grout line in your tile. Ensure that the bottom edge of the tiles are flush with the bottom edge of the cement board. You can choose any colour or pattern that you like, to match the room or surroundings. The water will flow over the tiles, just as it does on the stainless steel panel, but be sure to keep the edges of the tiles fairly flush to each other to prevent the water from splashing off. Surfaces less than 3/8" thick, such as glass or mirror, can be installed in front of the stainless panel. The stainless panel must be removed for all panels thicker than 3/8" up to a maximum of 3/4". Do not use glue to attach the tiles to the back panel, as some types of glue or epoxy will leach out into the water, causing the filter and manifold to plug.

CLEANING AND MAINTENANCE

The waterfall should be drained and cleaned every 3-4 months, possibly more depending on the quality of the water. The waterfall surface can be cleaned using a warm soap and water mixture. Do not use harsh abrasive cleaners on the surface of the stainless steel panel or it will permanently scratch the surface. Any wiping motion should be done in the direction of the grain. If small scratches do occur, they can be blended out by gentle rubbing in the direction of the grain with a Scotchbrite pad.

The water should be completely flushed and drained from the system - switch the valve to the purge setting, and run the pump to pump the water out. Refill the tank, run the water through the fountain for 3 minutes and purge again. If calcium or hard water deposits are forming on the panel or anywhere else in the system, cycle CLR solution through the system until the deposits are removed then purge the system a few times with water.

If there are spots on the panel that dry out, check that there are no blocked ports in the manifold tube. Remove the three nuts that secure the tube cover, and remove the cover. Remove the tube by flexing it out in the centre. This will allow the ends to pull out. Poke the holes out with an opened paper clip, and then flush the tube with water. Clean the angled surface that the manifold sprays onto with liquid TSP (or TSP substitute). It is critical that this surface is extremely clean. Install the tube back into the unit, with the ports aiming straight down and refill with water. Install the tube cover and test the unit.



The sediment filter should be replaced every 3-4 months. To replace, unplug the pump. Lay a towel under the filter housing, as water will drain out of the housing when opening. Unscrew the housing, and remove the filter. Replace with a new filter (part #N252-0001) available through your authorized NAPOLEON dealer. Push the new sediment filter firmly onto the collar in the bottom of the housing. Screw the housing back onto the unit. This must be screwed on very tightly, or it will leak.

TROUBLESHOOTING

Problem	Possible Causes	Solution
Water not flowing.	<p>Pump not plugged in.</p> <p>Insufficient water level.</p> <p>Water flow control valve turned off.</p> <p>Sediment filter plugged.</p> <p>Pump is "vapour-locked".</p> <p>Pump burned out.</p>	<p>Plug pump into nearest GFI protected receptacle.</p> <p>Add water to recommended level. Pump must be submerged by 1-2" at all times.</p> <p>Turn valve to on position.</p> <p>Replace filter.</p> <p>The pump may have an air bubble in it, preventing it from pushing water through. Unplug the pump, and plug it back in several times, or momentarily turn the valve to the purge setting.</p> <p>Replace pump.</p>
Dry spots on waterfall surface.	<p>Improper start-up procedure.</p> <p>Insufficient flow.</p> <p>Surface not cleaned properly.</p> <p>Plugged ports in manifold.</p> <p>Burrs on edges of LUXIDIO panel.</p>	<p>Ensure surface of waterfall is wet before starting by spraying with water or washing with wet cloth.</p> <p>Increase flow by opening water flow valve.</p> <p>Clean with liquid TSP (or TSP Substitute) to remove oily residue.</p> <p>Turn off water and remove manifold tube. Inspect and clean. See cleaning instructions.</p> <p>Turn off the water. Remove the burr on the edge of the groove with a utility knife.</p>
Lights not working.	<p>Lights not plugged in.</p> <p>Bulb(s) are broken.</p>	<p>Plug lights into nearest electrical receptacle.</p> <p>Replace light bulb(s).</p>
UV-light not working. (optional)	<p>UV-light not plugged in.</p> <p>Bulb no longer good.</p>	<p>Plug UV-light into nearest electrical receptacle.</p> <p>Replace UV-light bulb.</p>
Water leaking on floor.	<p>Leaking connection.</p> <p>Water level too high.</p> <p>Weld leaking in waterfall housing.</p> <p>Water leaking out sides of waterfall.</p>	<p>Check all connections and ensure they are tight. If leaking, re-tighten.</p> <p>Check that the basin drain is hooked-up properly and not blocked, preventing water from escaping. Ensure that there is adequate drop from the fountain to the basin. Also check that the float valve is working properly and not overflowing the basin.</p> <p>Inspect waterfall thoroughly and ascertain exactly where the leak is coming from. Drain all water, and dry thoroughly. Apply a bead of clear silicone to the inside surface of the weld. Let stand 24 hours before re-filling with water.</p> <p>Wipe the sides of the waterfall frame with an oiled(WD40) rag to repel water.</p>
Drain is gurgling.	<p>Insufficient drop from fountain to basin.</p> <p>P-trap created in drain line.</p> <p>Certain drain configurations may have a tendency to gurgle.</p>	<p>Ensure there is at least 1" per foot drop from the fountain outlet to the basin inlet.</p> <p>Ensure that there is a consistent slope from the fountain outlet to basin inlet without a dip that would trap water.</p> <p>Reduce the flow through the flow control valve, or loosen the white fitting in the left hand drain (loosen a couple of turns at a time, and then test).</p>
Water dripping from lip of top retainer.	<p>Decorative panel is not touching front lip of retainer.</p>	<p>Remove the panel and flex out the panel tension springs. Ensure positive tension on panel. Replace the decorative panel.</p>
Waterfall appears to be rusting.	<p>High concentration of iron in water.</p>	<p>The waterfall and components are made entirely of stainless steel and cannot rust. Use CLR remover to clean the iron deposits off the affected areas and refill the waterfall with the recommended distilled water.</p>

ORDERING REPLACEMENT PARTS

Before contacting the customer service department, check the NAC web site for more extensive cleaning, maintenance, troubleshooting and part replacement instructions at www.napoleongrills.com. Contact the factory directly for replacement parts and warranty claims. The customer service department is available between 9 AM and 5 PM (Eastern standard time) at 1-866-820-8686 or fax at 1-705-727-4282. In order to process a claim, we must be provided with the following information:

1. Model and serial number of the unit.
2. Part number and description.
3. A concise description of the problem ('broken' is not sufficient).
4. Proof of purchase (photocopy of the invoice).

In some cases the customer service representative may request to have the parts returned to the factory for inspection, before providing replacement parts. The parts must be shipped prepaid to the attention of the customer service department with the above information.

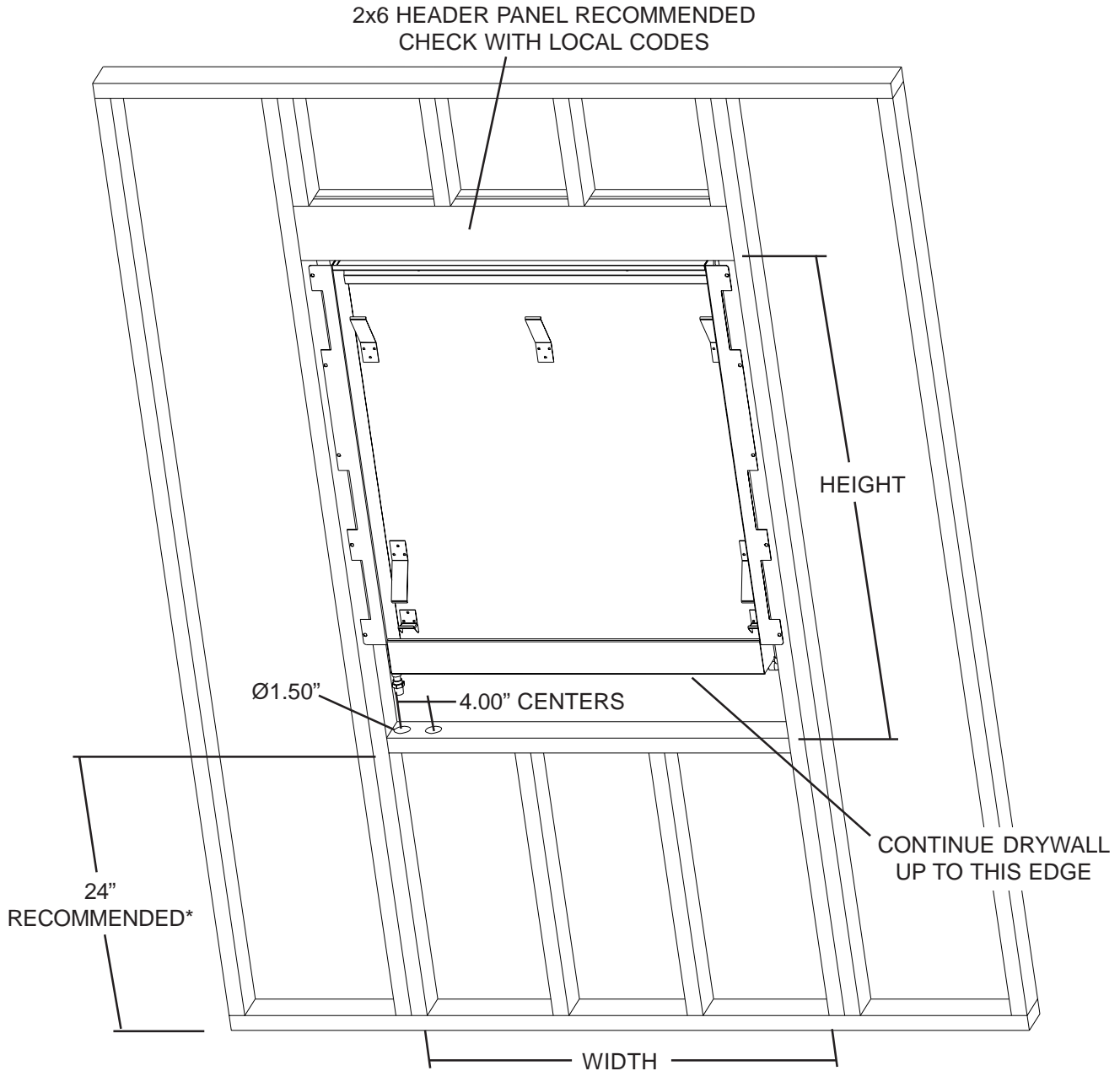
Before contacting customer service, kindly note that the following items are not covered by the warranty:

- costs for transportation, brokerage or export duties
- labour costs for removal and reinstallation
- costs for service calls to diagnose problems
- discoloration of stainless steel parts
- part failure due to lack of cleaning and maintenance, or use of improper cleaners.

NOTES

The rest of this page has been intentionally left blank.

FRAMING SPECIFICATIONS

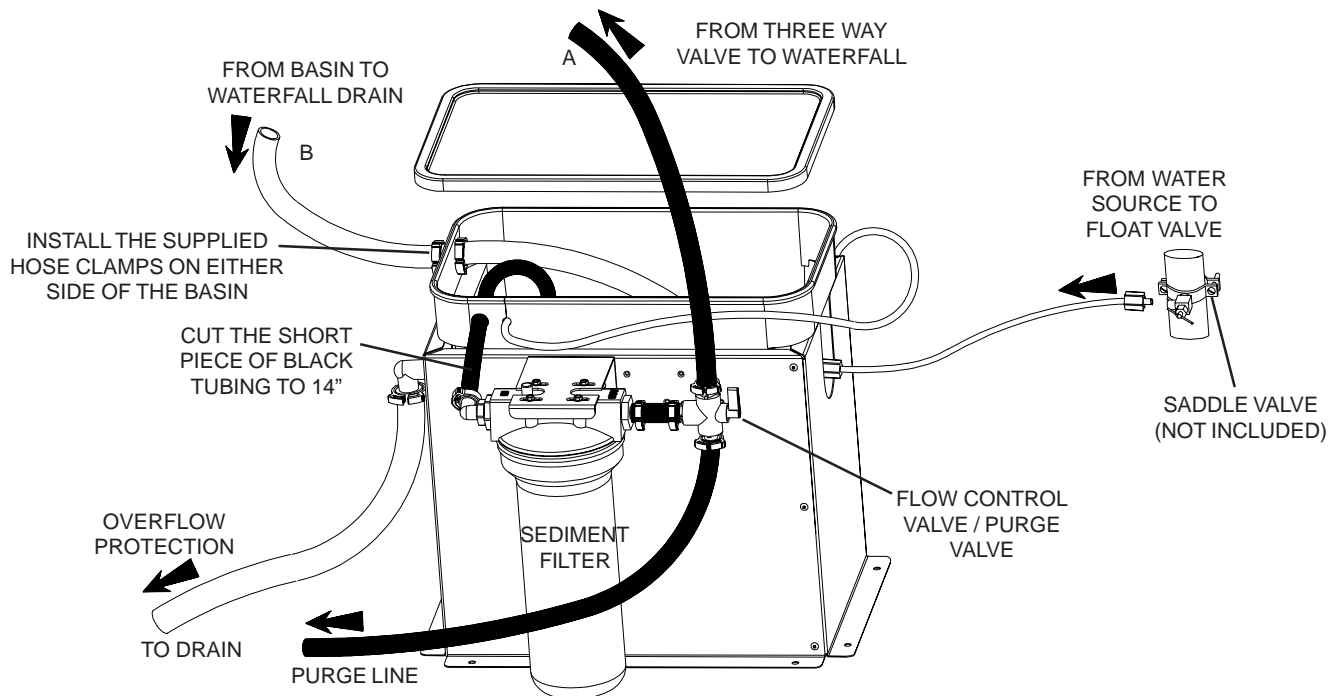
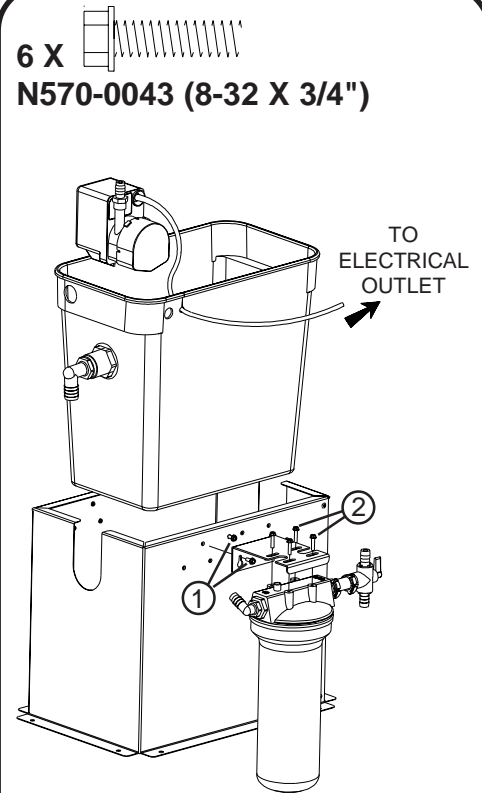
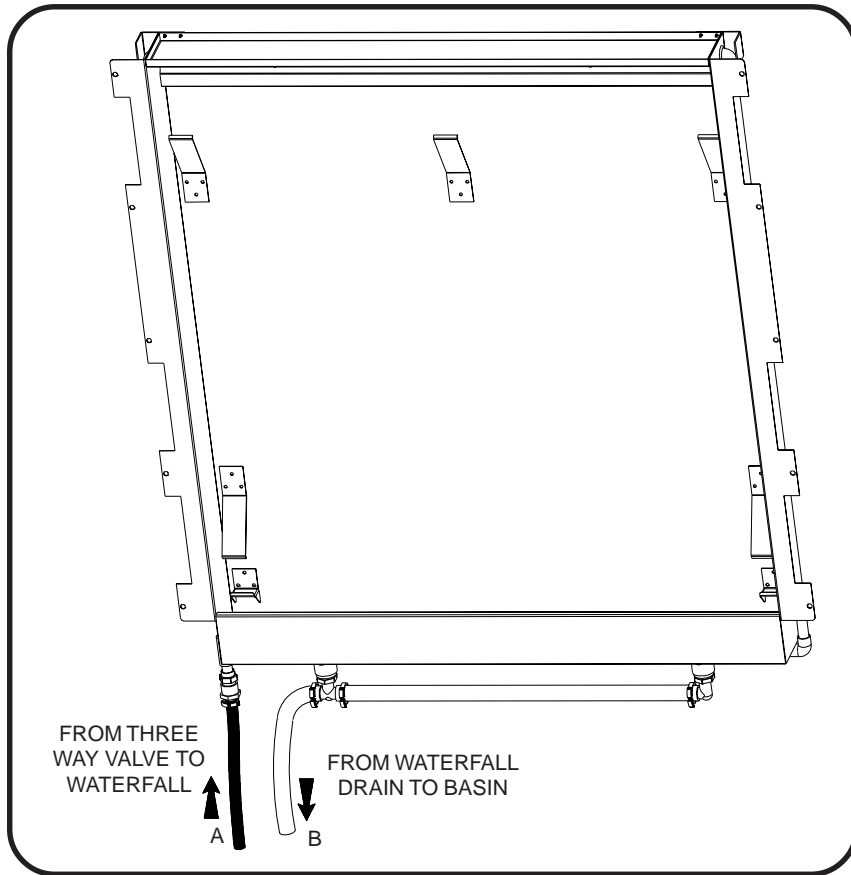


CHECK WITH YOUR LOCAL BUILDING AUTHORITY FOR COMPLETE FRAMING GUIDELINES. THE CHART BELOW WILL GIVE YOU THE OPENING SIZE REQUIRED FOR EACH MODEL. EACH WATERFALL IS INTENDED TO BE MOUNTED ON TOP OF THE DRYWALL (NOT SHOWN). THE DRYWALL BELOW THE UNIT SHOULD CONTINUE UP TO THE BOTTOM OF THE WATERFALL BASIN.

MODEL	HEIGHT	WIDTH
WF6	49.00"	26.750"
WF9 / WF9ST	49.00"	38.625"
WF18	84.25"	38.625"

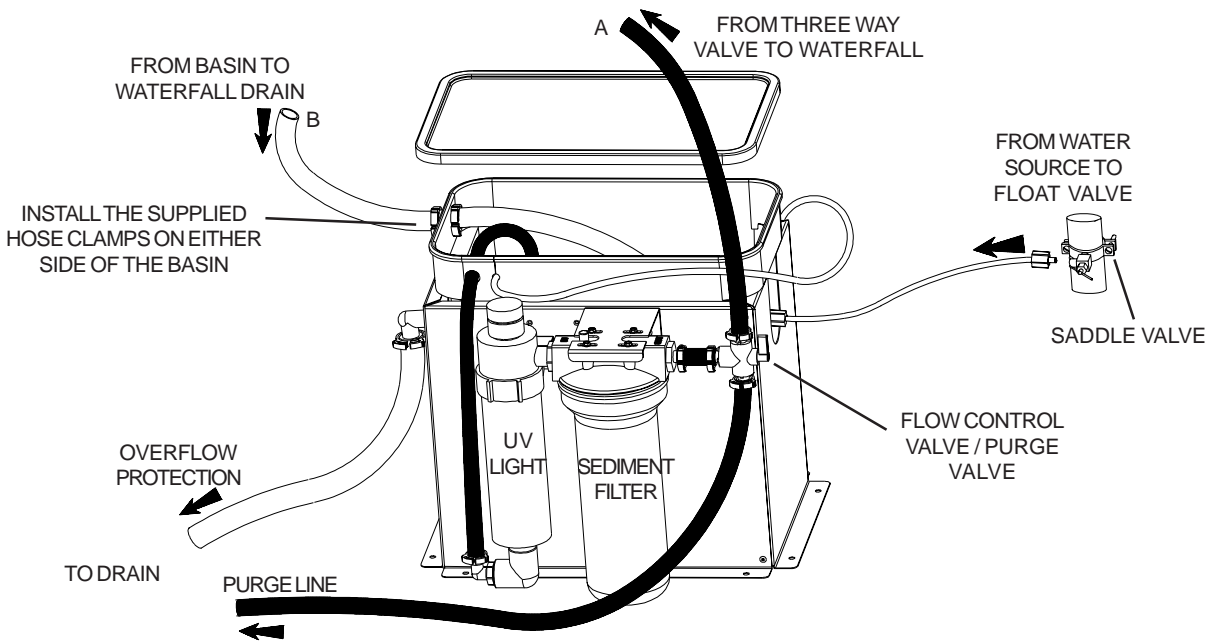
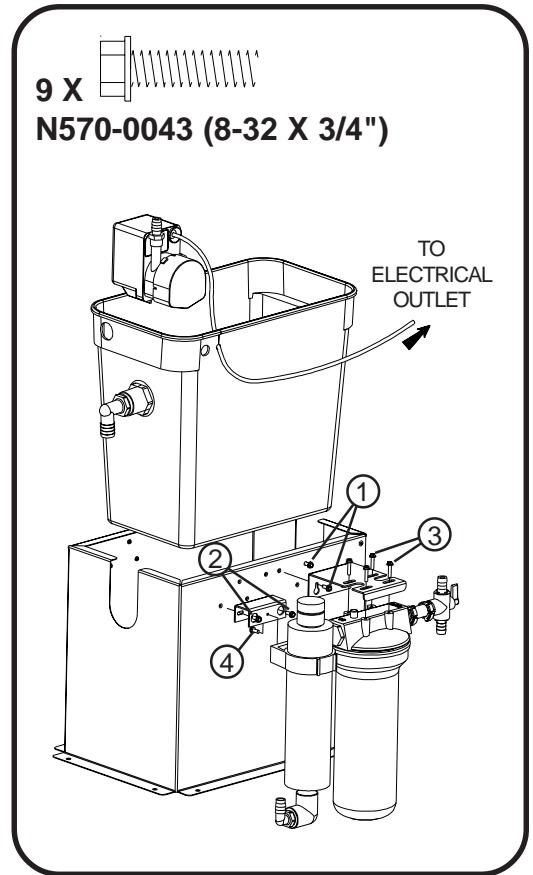
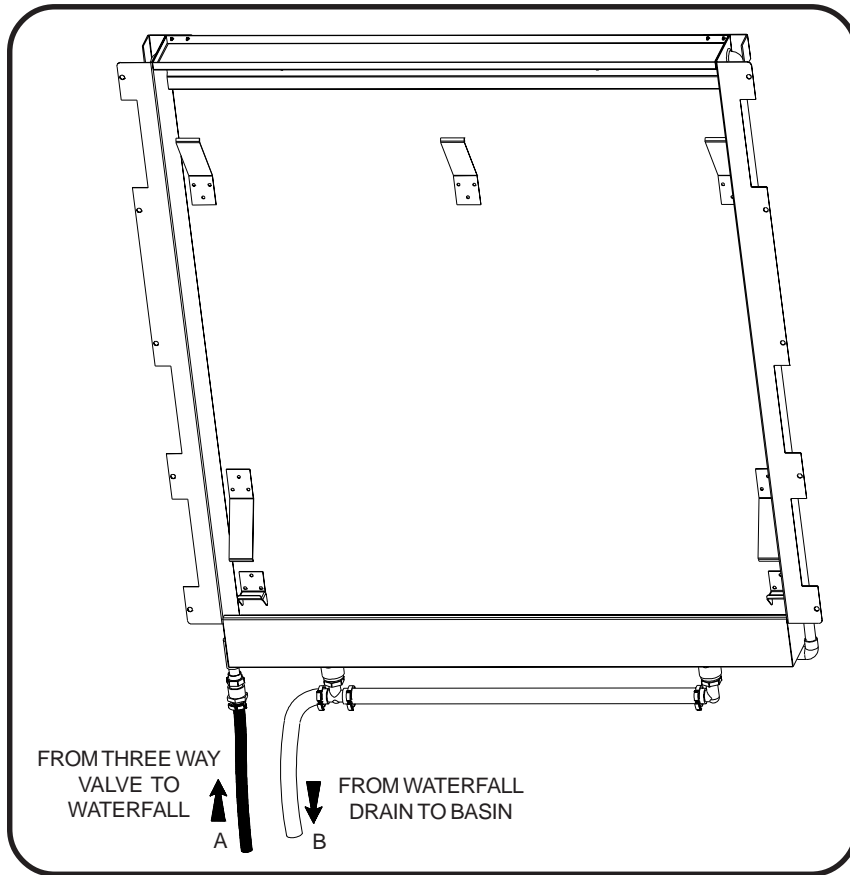
*Additional height may be required to ensure adequate drop to the pump module.
The minimum space required for the pump module for the waterfall is 18" x 18" x 15" high.

PIPING DIAGRAM WITHOUT UV LIGHT



Remove components from basin and assemble as shown. The fittings required are already attached to the filter and basin. Measure and cut the lines to the length necessary, push onto the barbed fittings and secure with the supplied hose clamps. Leak test the waterfall before fully enclosing.

PIPING DIAGRAM WITH UV-LIGHT



Remove components from basin and assemble as shown. The fittings required are already attached to the filter and basin. When using the optional UV light, the barbed elbow fitting on the "IN" side of the filter will need to be removed and threaded into the elbow at the bottom of the UV light. Then connect the UV light directly to the sediment filter. Use teflon tape to seal these connections. Ensure that the supplied ground wire is connected from the grounding terminal on the UV light to either grounded copper plumbing, or the ground in your electrical system. Use the supplied short piece of black tubing to run from the pump to the UV light. Measure and cut the lines to the length necessary, push onto the barbed fittings and secure with the supplied hose clamps. Leak test the waterfall before fully enclosing.

WATERFALL SURFACE INSTALLATION

The stainless steel panel provided with WF6, WF9, and WF18 is installed simply by sliding the top of the panel under the retaining bracket at the top of the waterfall, and pushing it high enough to slip over the bottom support brackets. The welded brackets that protrude at an angle from the waterfall housing, merely provide pressure to the panel to prevent it from bowing. The optional acrylic panel can be placed in front of the stainless steel panel in the same manner. If building your own ceramic tile or slate background, you must remove the stainless steel panel, because of the thickness of the tile and cement board backing.

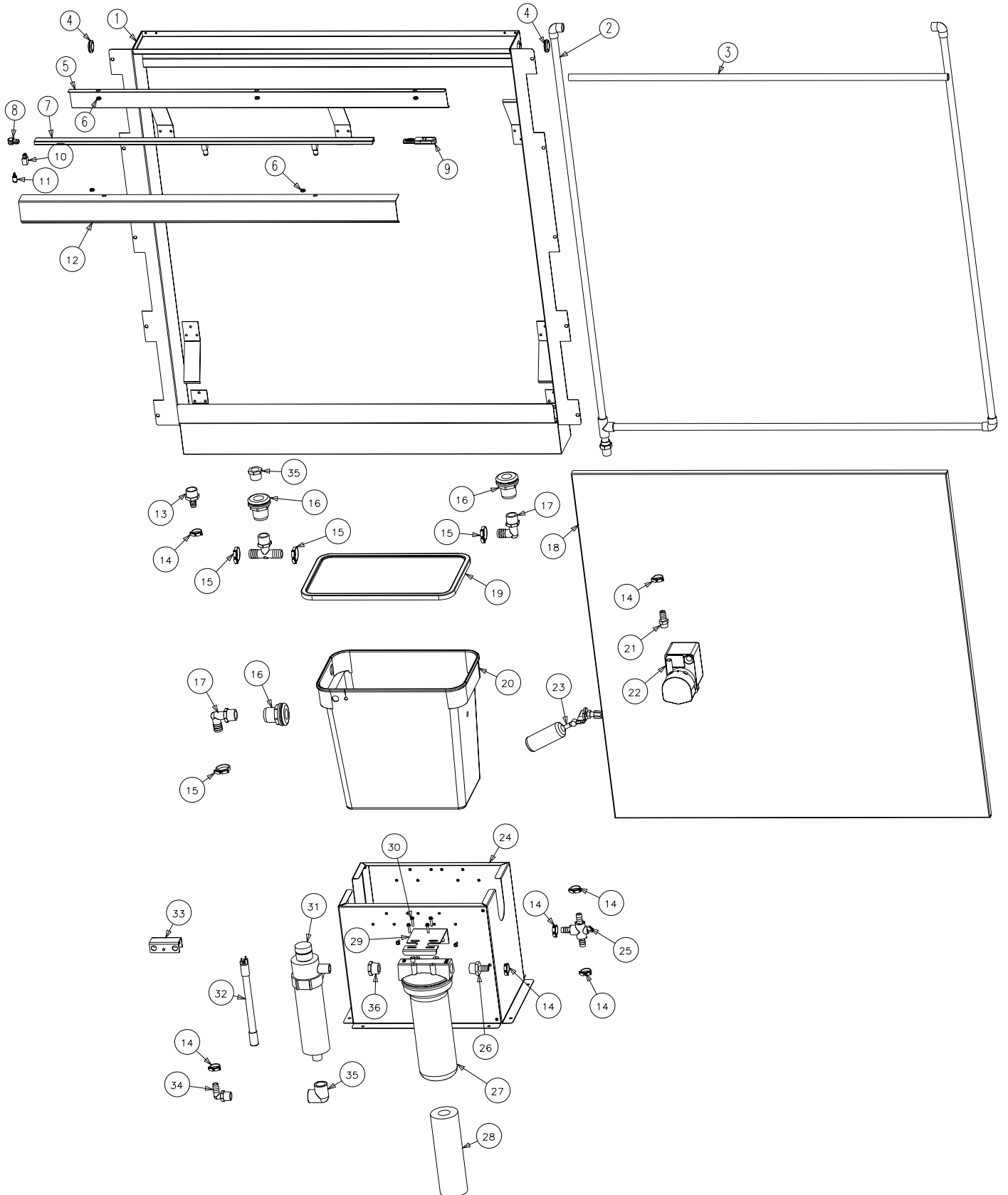
The glass panel for WF9ST is installed from the manifold side by sliding the top of the glass into the gap between the retaining bracket and the rear panel support, and pushing it high enough to slip over the lip on the bottom support brackets. The glass should fit tight at the top and not rattle. If so it can be removed and the front retaining bracket can be pushed in, closing up the gap so the glass fits tight.

PARTS LIST

ITEM#	WF6 PART#	WF9 PART#	WF9ST PART#	WF18 PART#	PARTS DESCRIPTION	
1	n010-0446	n010-0447	n010-0490	n010-0448	main housing	x
2	n010-0449	n010-0450	n010-0450	n010-0451	water supply line assembly	x
3	n432-0014	n432-0015	n432-0015	n432-0015	manifold	x
4	n105-0008	n105-0008	n105-0008	n105-0008	rubber grommet	x
5	n080-0169	n080-0170	n080-0170	n080-0170	water pinch bracket	x
6	n450-0009	n450-0009	n450-0009	n450-0009	10-24 nut	x
7	n402-0006	n402-0006	n402-0006	n402-0006	lighting track WF6 - 20" long WF9/18 - 32" long	x
8	n402-0004	n402-0004	n402-0004	n402-0004	lighting track end cap	x
9	n402-0005	n402-0005	n402-0005	n402-0005	lighting track power connection	x
10	n402-0007	n402-0007	n402-0007	n402-0007	light socket	x
11	n402-0003	n402-0003	n402-0003	n402-0003	light bulb	x
12	n200-0071	n200-0072	n200-0072	n200-0072	light cover	x
	n707-0002	n707-0002	n707-0002	n707-0002	12 volt transformer	x
13	n255-0033	n255-0033	n255-0033	n255-0033	1/2" female pipe to 1/2" barb adapter fitting	x
14	n160-0012	n160-0012	n160-0012	n160-0012	5/8" hose clamp	x
15	n160-0013	n160-0013	n160-0013	n160-0013	1" hose clamp	x
16	n255-0034	n255-0034	n255-0034	n255-0034	3/4" bulkhead fitting	x
17	n255-0037	n255-0037	n255-0037	n255-0037	3/4" male pipe to 3/4" barb elbow fitting	x
18	n475-0149	n475-0150	-	n475-0151	waterfall panel - stainless steel	x
	n475-0152	n475-0153	-	n475-0154	waterfall panel - black grooved LUXIDIO	ac
19	n335-0037	n335-0037	n335-0037	n335-0037	water basin lid	x
20	n185-0002c	n185-0002c	n185-0002c	n185-0002c	water basin	x
21	n255-0035	n255-0035	n255-0035	n255-0035	1/4" female pipe to 1/2" barb adapter fitting	x
22	n517-0001	n517-0001	n517-0001	n517-0001	water pump	x
23	n725-0023	n725-0023	n725-0023	n725-0023	float valve	x
24	n010-0443	n010-0443	n010-0443	n010-0443	water basin housing	x
25	n725-0022	n725-0022	n725-0022	n725-0022	3-way valve	x
26	n255-0041	n255-0041	n255-0041	n255-0041	3/4" male pipe to 1/2" barb adapter fitting	x
27	n350-0052	n350-0052	n350-0052	n350-0052	sediment filter housing	x
28	n252-0001	n252-0001	n252-0001	n252-0001	replacement sediment filter (5 micron)	ac
29	n080-0177	n080-0177	n080-0177	n080-0177	filter mounting bracket	x
30	n570-0043	n570-0043	n570-0043	n570-0043	8-32 x 3/4" stainless steel screw	x
31	n402-0002	n402-0002	n402-0002	n402-0002	ultra violet light	ac
32	n402-0008	n402-0008	n402-0008	n402-0008	ultra violet replacement bulb	ac
33	n080-0171	n080-0171	n080-0171	n080-0171	ultra violet light mounting bracket	ac
34	n255-0042	n255-0042	n255-0042	n255-0042	fitting, plastic 1/2" male pipe - 1/2" barb elbow	x
35	n255-0039	n255-0039	n255-0039	n255-0039	fitting, plastic 1/2" female pipe - 1/2" female pipe elt	ac
36	n255-0040	n255-0040	n255-0040	n255-0040	3/4" male pipe x 1/2" female pipe bushing	x

x - standard x - compris
ac - accessory ac - accessoires

PARTS DIAGRAM



Free Manuals Download Website

<http://myh66.com>

<http://usermanuals.us>

<http://www.somanuals.com>

<http://www.4manuals.cc>

<http://www.manual-lib.com>

<http://www.404manual.com>

<http://www.luxmanual.com>

<http://aubethermostatmanual.com>

Golf course search by state

<http://golfingnear.com>

Email search by domain

<http://emailbydomain.com>

Auto manuals search

<http://auto.somanuals.com>

TV manuals search

<http://tv.somanuals.com>