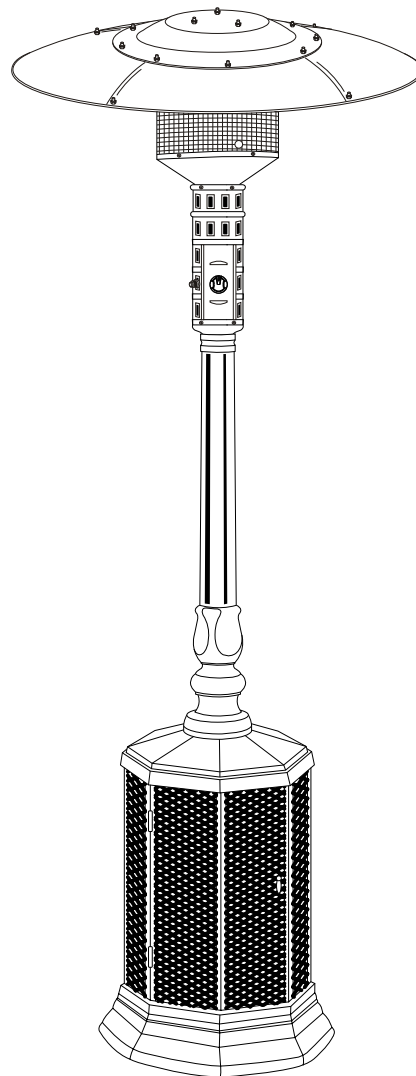


SRPH01 PROPANE PATIO HEATER

(FOR OUTDOOR USE ONLY)

-PTHC38PK-



Manual, Instructions & Parts List

TOOLS AND PARTS NEEDED FOR ASSEMBLY



DANGER



CARBON MONOXIDE HAZARD

This appliance can produce carbon monoxide which has no odor.

Using it in an enclosed space can kill you.

Never use this appliance in an enclosed space such as a camper, tent, car or home.

WARNING: Improper installation, adjustment, alteration, services or maintenance can cause injury, death or property damage. Read the installation, operating and maintenance instructions thoroughly before installing or servicing this equipment.

WARNING

For outdoor use only.

Cylinders to be used must be constructed and marked in accordance with US DOT specifications.

Storage indoors is permissible only if the cylinder is removed.

The unit should be secured or moved indoors if winds exceed 35 km/h.

Note: 20 Pound, 5 Gallon LPG Tank is not supplied

TOOLS NEEDED:

7/16" Wrench

3/8" Open End Wrench

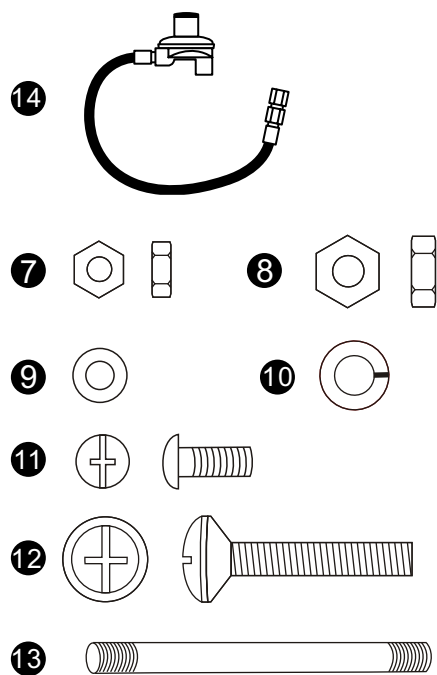
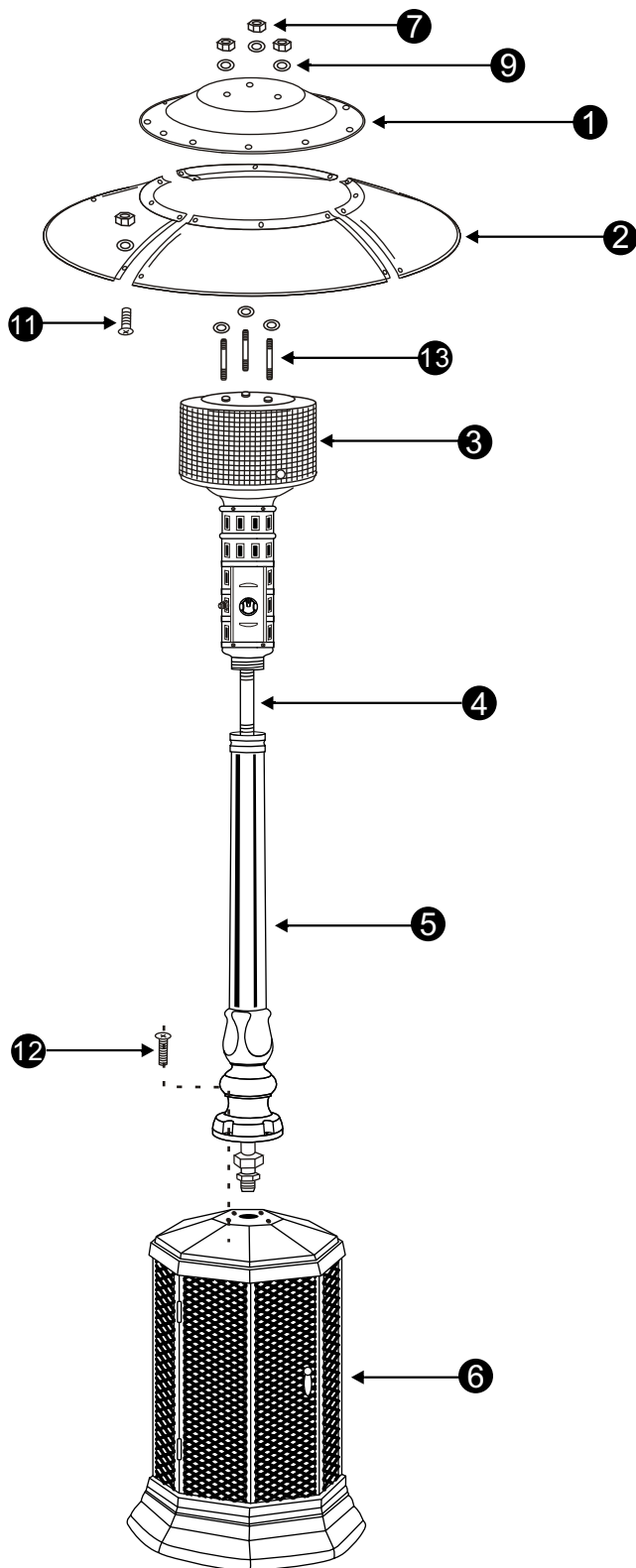
Adjustable Opening Wrench, 8" Long

Philips Head Screwdriver

Leak Detection Solution (Instructions how to make solution are included in page 9)

PARTS

- ① 1 Centre Reflector Cap
- ② 4 Reflector Cap
- ③ 1 Head Assembly
- ④ 1 Gas Hose
- ⑤ 1 Post
- ⑥ 1 Gas Cylinder Housing
- ⑦ 15 M6 Nuts
- ⑧ 4 M8 Nuts
- ⑨ 18 M6 Washers
- ⑩ 4 M8 Lock Washers
- ⑪ 12 M6 X10 Screws
- ⑫ 4 M8 X 35mm Bolts
- ⑬ 3 M6 X 70mm Double Pointed Bolts
- ⑭ 1 Regulator
- ⑮ 1 Cylinder (Not Supplied)



NOTE: PLEASE READ THE FOLLOWING SAFETY RULES

WARNING

This appliance must only be used outdoors. Using this product in an enclosed area may cause injury, death or property damage.

Read the instructions before use. This appliance must be installed in accordance with such regulations as are in force.

Do not use the heater in an explosive atmosphere. Keep the heater away from areas where gasoline or other flammable liquids or vapors are stored.

Prior to use, check for damaged parts such as hoses, regulators, pilot or burner.

Disconnect LPG bottle before moving the heater.

Do not attempt to alter unit in any manner.
EXAMPLE: using the heater without the top canopy reflector or radiant screen.
Do not shorten the burner post assembly.

The appliance shall not be used in basements or below ground level.
It must always be placed on a solid and level surface.

Always assure there is ample fresh air ventilation.
For outdoor use ONLY.

Never replace or substitute the regulator with any regulator other than the factory suggested replacement.

Do not clean the heater with cleaners that are combustible or corrosive.

Do not paint radiant screen, control panel or top canopy reflector.

All leak tests should be done with a soapy solution. NEVER USE AN OPEN FLAME TO CHECK FOR LEAKS.

The LP gas cylinder should be turned off when the heater is not in use.

At least once a year, the unit should be inspected for the presence of spiders, spider webs or other insects. Check the heater immediately if any of the following exist:

1. The smell of gas in conjunction with extreme yellow colored tips of the burner flames.
2. The heater does not reach temperature.
3. The burner makes popping noise during use (a slight popping noise is normal when the burner is extinguished after using).

The propane hose with regulator assembly shall be located out of pathways where people may trip over it or in areas where the hose will not be subject to accidental damage.

Children and adults should be aware of the hazards of high surface temperature and shall stay away to avoid clothing burn or ignition.

Young children should be carefully supervised when they are in the area of the heater.

Clothing or other flammable material should not be hung from the heater, or placed on or near the heater.

Any guard or other protective device removed for servicing the heater must be replaced prior to operating the heater.

Installation and repair should be done by a qualified service person. The heater should be inspected before use and cleaning may be required at least once a year, or as necessary. It is imperative that control compartment, burner and circulating air passageways of the heater be kept clean.

Keep the appliance area clear of combustible materials such as gasoline and other flammable vapors and liquids.

Do not obstruct the flow of combustion and ventilation air.

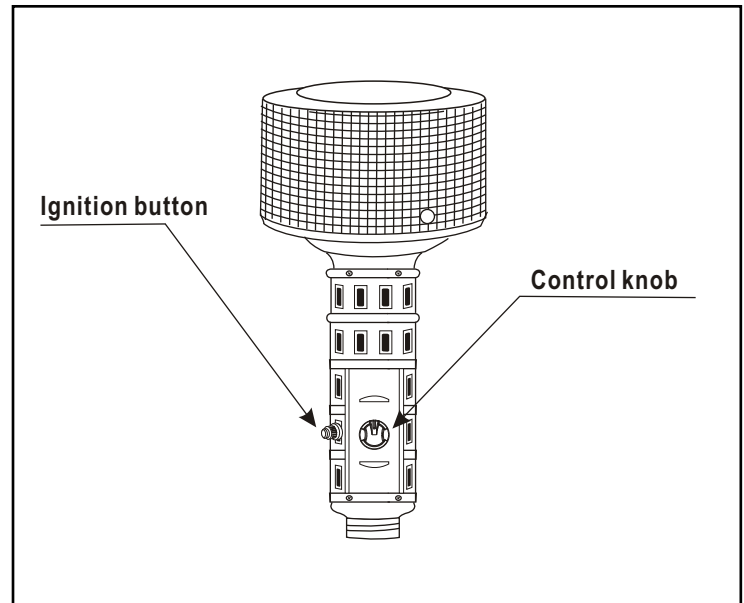
Keep the ventilation opening of the cylinder enclosure free and clear of debris.

ASSEMBLY FOR LIGHT SYSTEM

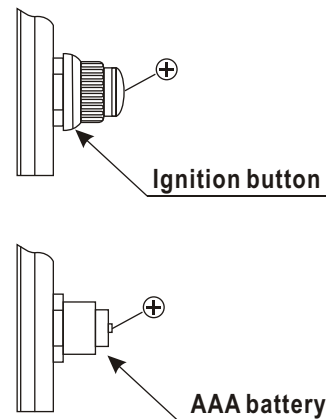
WARNING:
TO BE INSTALLED ONLY BY AN
AUTHORISED PERSON

Instruction For Battery Installing

Upon first time use of the product, please remove the ignition button and install an AAA battery as indicated.



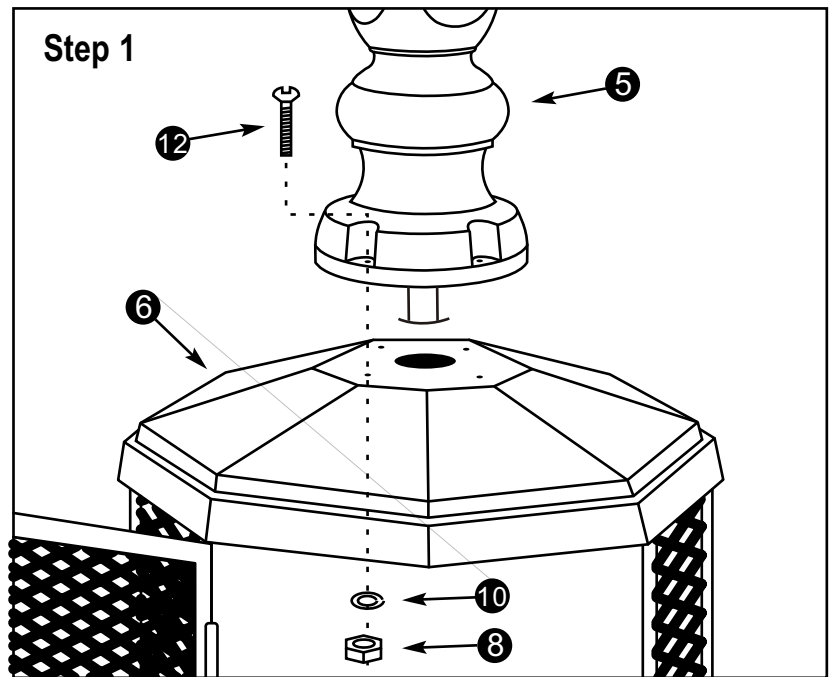
Replace Battery



NOTE: Assembly of this heater requires basic mechanical skills. Proper assembly is the responsibility of the installer.

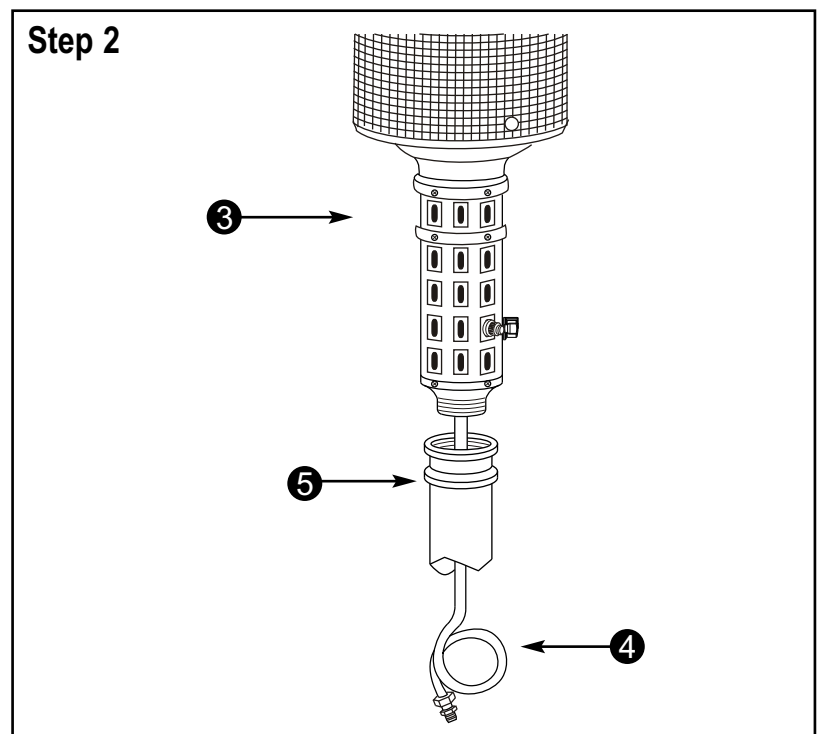
Step 1 ----Attach Post to Gas Cylinder Housing

Place the post on the top of the gas cylinder housing. Fasten the post to the gas cylinder housing using the four (4 pcs) M8 X35mm Bolts , 8mm Lock Washer , Nuts for M8 X35mm Bolts .



Step 2 ----Attach Head Assembly to Post

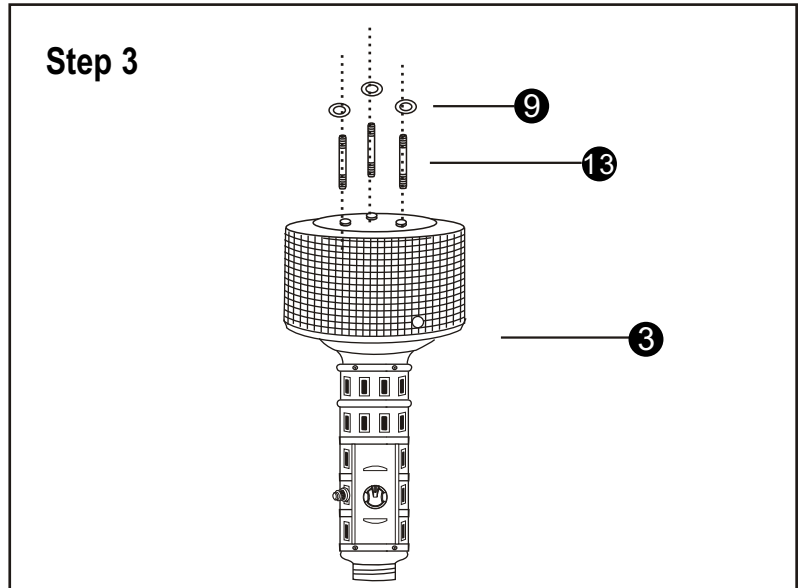
Slide the gas hose with the attached Head assembly through the top of the post and down through the hole in the top of the gas cylinder housing. Screw the combustion assembly on to the post, and tighten securely.



NOTE: Assembly of this heater requires basic mechanical skills. Proper assembly is the responsibility of the installer.

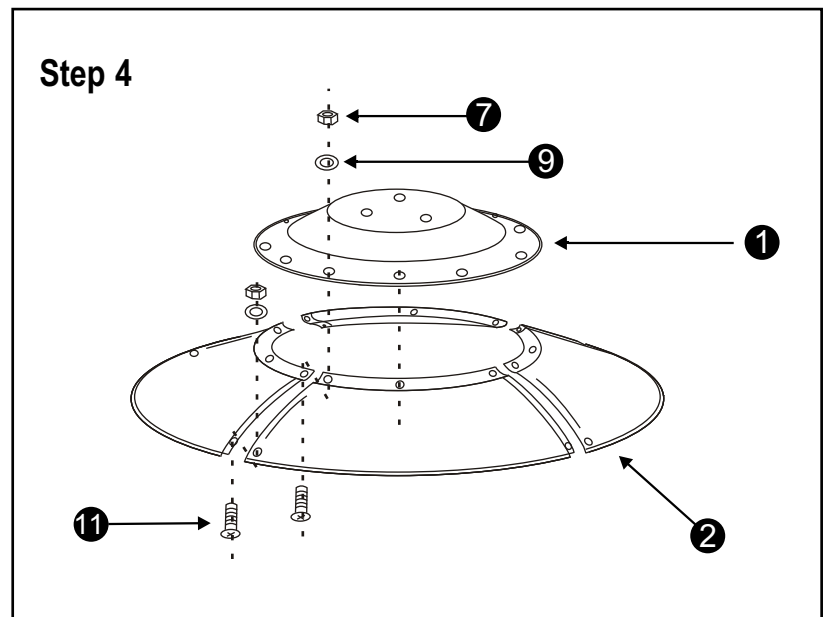
Step 3 --- Attach Double Pointed Bolt to Head Assembly

Attach double pointed bolts (3 pcs) and 6mm washers (3 pcs) to the top of head assembly and tighten the bolts securely.



Step 4 --- Attach Center Reflector to Reflector

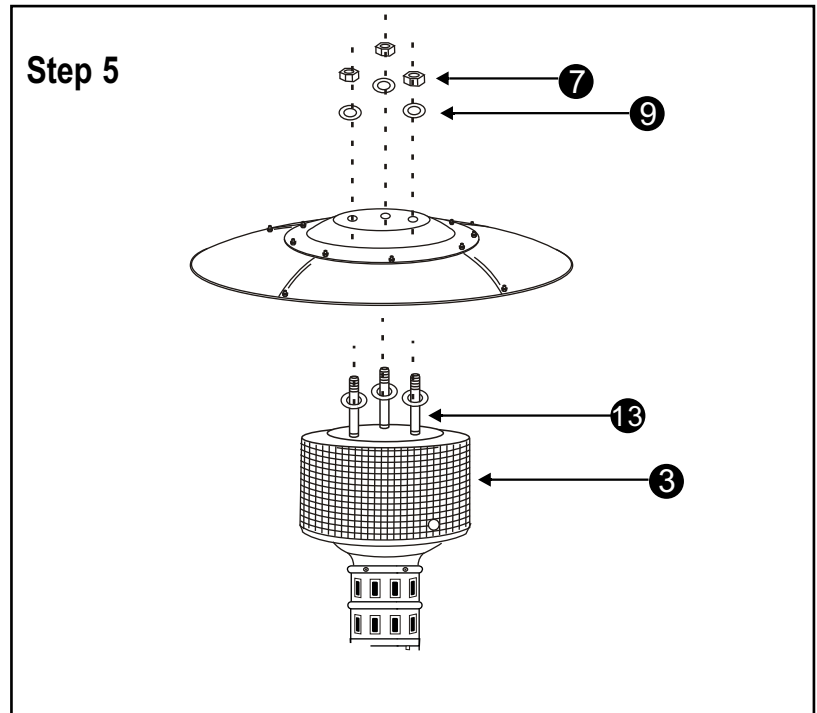
Attach center reflector to the top of reflector (4 pcs) by M6 X 10 mm screws (12 pcs), 6mm washers (12 pcs) and nuts (12 pcs).



NOTE: Assembly of this heater requires basic mechanical skills. Proper assembly is the responsibility of the installer.

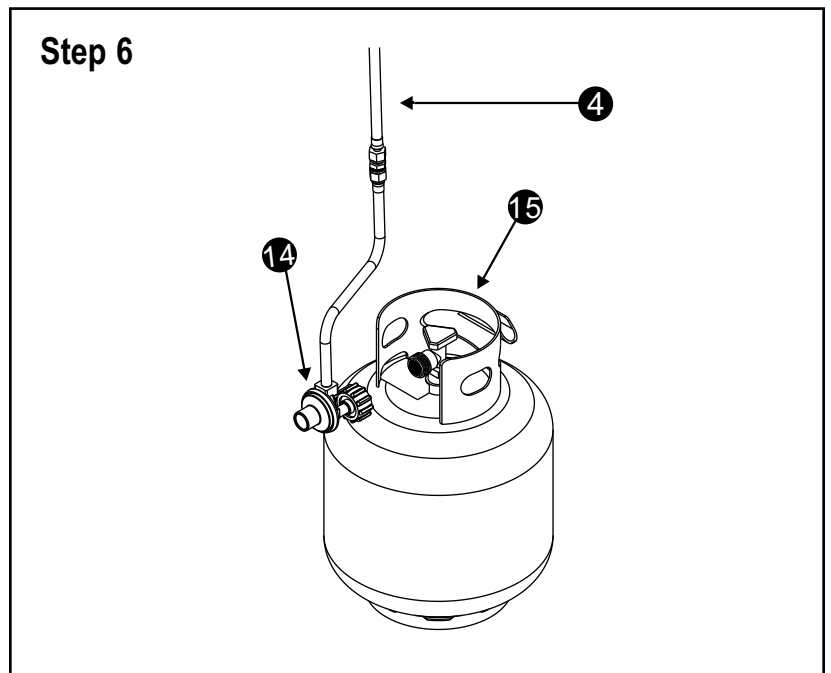
Step 5 ---- Attach Center Reflector and Reflector to the top of Head Assembly

Load center reflector and reflector to the top of head assembly by
double pointed bolts (3 pcs)
6mm washers (3 pcs) and nuts (3 pcs)



Step 6 ---- Connect Gas Line to Cylinder

Attach Gas hose to regulator hose with
3/8 Inch Open End Wrench and
Adjustable Wrench.
Attach regulator to cylinder. Tighten securely.
Move cylinder to the plate of base assembly.



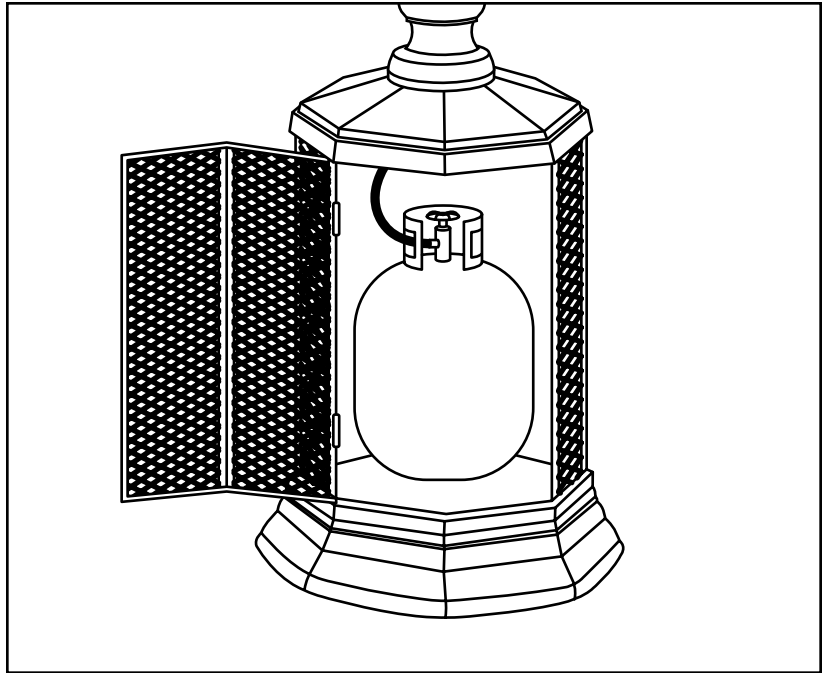
NOTE: Always check the following connections.

Check all connections on the hose regulator assembly.

Check the regulator to the LP gas cylinder connection. Note that the regulator adapter is a reverse thread.

Check the hose to the intake pipe to make certain that it is not kinked or in a position that could cause it to kink. Hand tighten and then take a 1/2 turn with an adjustable wrench.

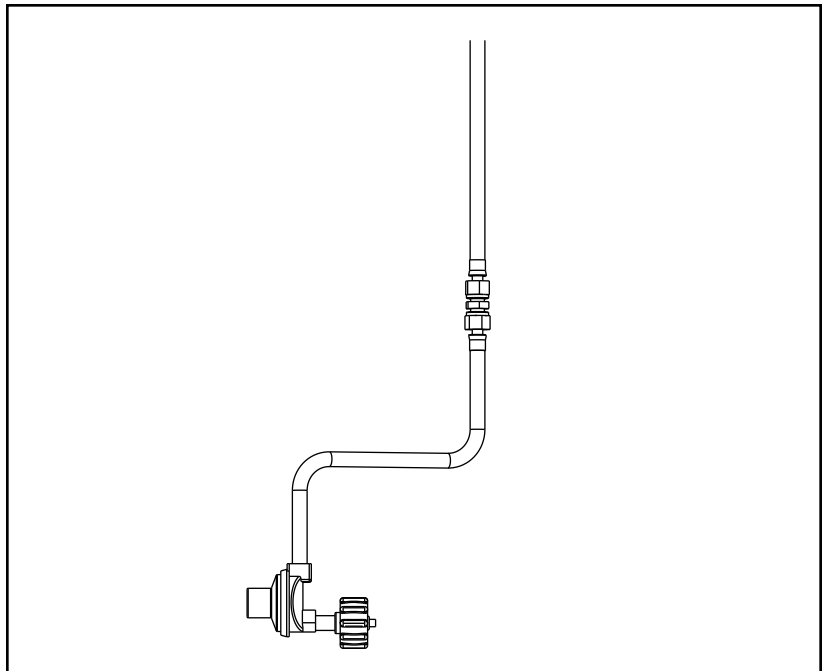
The remaining connections are to be tested after this heater has been lit. (SEE LIGHTING INSTRUCTIONS PAGE10)



Check for leak

Your Patio Heater has been checked at all factory connections for leaks. To check at the Connection at the gas hose/regulator/cylinder.

- 1) Make leak solution by mixing 1 part liquid dish soap and 3 parts water.
- 2) Spoon several drops (or use squirt bottle) of the solution onto the gas hose/regulator and regulator/cylinder connection.
- 3) Inspect the connections and look for bubbles.
- 4) If no bubbles appear, the connection is safe.
- 5) If bubble appear, there is leak, loose and re-tighten this connection.



WARNING: Do NOT attempt to operate heater until you have read and understand all precaution .

Failure to do so can result in serious personal injury, death, or property damage.

Before Turning Gas Supply ON

Your heater was designed and approved for **OUTDOOR USE ONLY**. Do NOT use it inside a building ,or any other enclosed area.

Make sure surrounding areas are free of combustibile materials, gasoline, and other flammable vapors or liquids.

Ensure that there is no obstruction to air ventilation.

Be sure all gas connections are tight and there are no leaks.

Be sure the access panel is clear of debris.

Be sure any component removed during assembly or servicing is replaced and fastened prior to starting.

Before Lighting

Heater should be thoroughly inspected before each use, and by a qualified service person at least annually.

If relighting a hot heater, always wait at least 5 minutes.

Our heater is manufactured under good quality.

There should be at least eight effective times within ten times of ignition.

LIGHTING INSTRUCTIONS

- 1) Turn the control knob to "OFF" position.
- 2) Fully open gas valve
- 3) Push in control knob and turn counter clockwise to "PILOT" position, push in the ignition button and keep the button depressing untill light the pilot.
- 4) Once the pilot is lit, continue to keep the control knob depressed for at least 30 seconds, After 30 seconds release control knob.
- 5) If pilot does not stay lit, repeat steps 3 and 4.
- 6) If pilot still does not stay lit, then:
 - a) Push in gas control knob and turn counter clockwise to "PILOT"
 - b) keep depressing the control knob, put long stem lighter into the Ignition Hole on the emitter screen to light the pilot.
 - c) repeat step 4.
- 7) Push in and turn control knob counter clockwise to "HIGH" position, If you want a lower temperature, push in the control knob and turn clockwise to the "LOW" position.

If you experience any ignition problem, turn off the heater and gas supply, and consult "Troubleshooting" on page 14.

WARNING

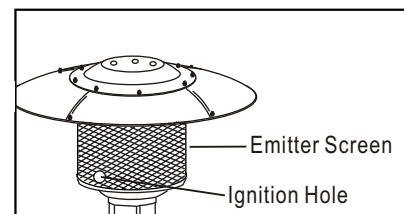
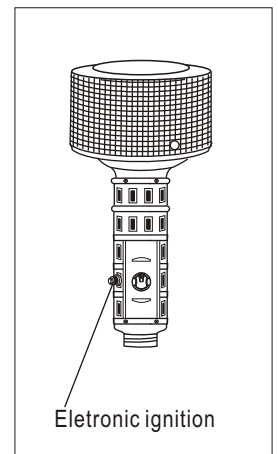
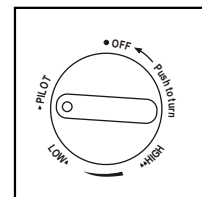
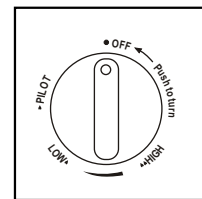
FOR YOUR SAFETY:

If at any time you are unable to light burner and smell gas, wait 5 minutes to allow gas to dissipate before attempting to light heater. If, after 1 minute, you are unable to light burner, wait 5 minutes and allow flammable vapors to dissipate before attempting to light heater

WARNING

FOR YOUR SAFETY:

Do NOT touch or move heater for at least 45 minutes after use. Allow emitter and dome to cool before touching.



CAUTION : Avoid inhaling fumes emitted from the heater's First use. Smoke and odor from the burning of oils used in manufacturing will appear. Both smoke and odor will dissipate after approximately 30 minutes. The heater should NOT produce thick black smoke.

NOTE:

The burner may be noisy when initially turned on. To eliminate excessive noise from the burner, turn the Control Knob to the "LOW" position. Then, turn the knob to the level of heater desired.

When heater is ON:

Emitter screen will become bright red due to intense heat. The color is more visible at night. Burner will display tongues of blue flame. These flames should not be yellow or produce thick black smoke, indicating an obstruction of airflow through the burners.

RELIGHT

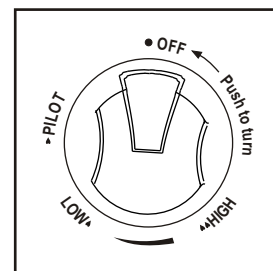
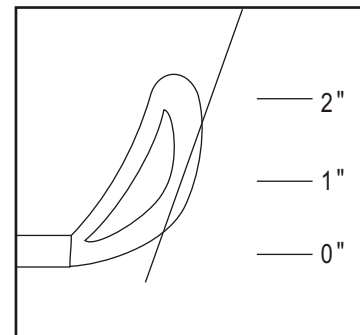
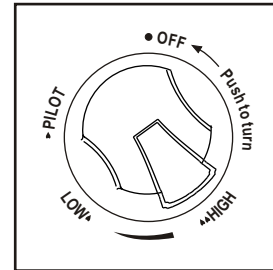
- 1) Turn the control knob to "OFF" position.
- 2) Wait five (5) minutes before attempting to relight pilot.
- 3) Repeat steps beginning with step 2 of the Lighting Instruction above.

SHUT DOWN INSTRUCTIONS

- 1) Push in and turn control knob clockwise to "OFF" position.
- 2) Turn L.P. tank gas valve clockwise to "OFF" position when heater is not in use

Note: After use, some discoloration of the emitter screen is normal.

WARNING : Heater will be hot after use.
Handle with extreme care.



LOCATING HEADER FOR USE

BE CAREFUL: WHEN CERTAIN MATERIALS OR ITEMS ARE LEFT UNDER THIS SPACE HEATER WHILE IN USE, THEY WILL BE SUBJECT TO RADIANT HEAT AND COULD BE SERIOUSLY DAMAGED.

This heater is primarily used for the heating of outdoor patios, decks, spas, pool and working areas.

Always make sure that adequate fresh air ventilation is provided. Follow the spacing tolerances shown in Figure 1.

This heater clearances, shown in Figure 1, must be maintained at all times.

The installation must conform to local codes, or in the absence of local codes, with the standard for the storage and handling of liquid petroleum gases, ANSI/NFPA 58-1986, or most recent addition. For Canada, with the current CAN1-B149.

This heater must be placed on level, firm ground.

Never operate in an explosive atmosphere. Keep away from areas where gasoline or other flammable liquids or vapors are stored or used.

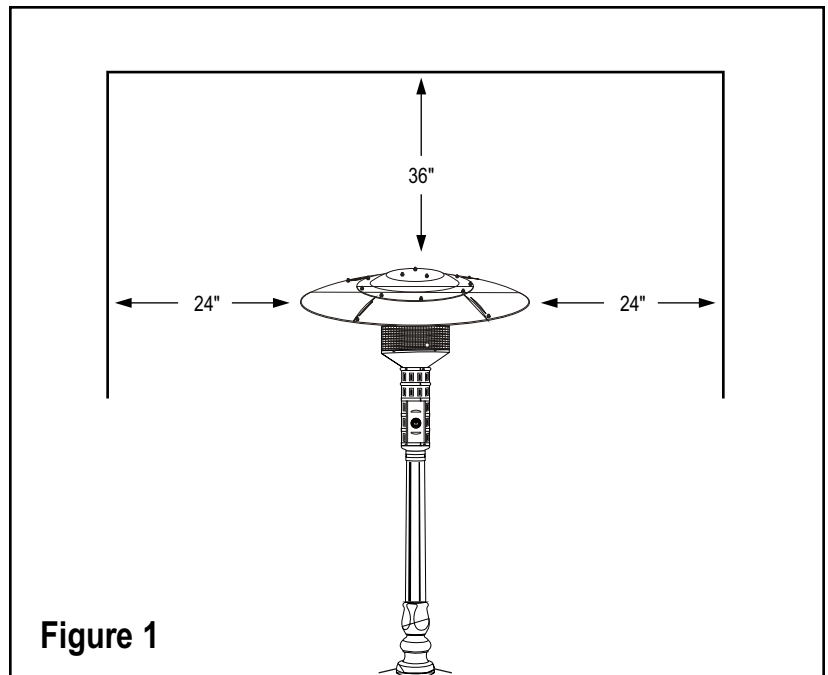


Figure 1

STORAGE :

Between uses:

- Turn the control knob to "OFF" position.
- Turn LP cylinder to "OFF" position.
- Store heater upright in an area sheltered from direct contact with inclement weather (such as rain, sleet, hail, snow, dust and debris).
- If desired, cover heater to protect exterior surfaces and to help prevent build up in air passages.

During periods of extended inactivity or when transporting;

- Turn the control knob to "OFF" position.
- Disconnect LP Cylinder and move to a secure, well-ventilated area out of the reach of children and stored outdoors.
Do NOT store in a location that will exceed 125 degrees F.
- Store heater upright in an area sheltered from direct contact with inclement weather (such as rain, sleet, hail, snow, dust and debris).
- If desired, cover heater to protect exterior surfaces and to help prevent build up in air passages.

CLEANING :

1. Remove the reflector and emitter by removing the 4 pcs screws (①) that fasten the emitter to the lower screen cone .
Any debris in the **burner port** should be cleared. Any rust can be removed carefully with a wire brush. Never use a piece of wood, or other materials that might break off and block the ports.
2. Remove lower cone cylinder by removing the 4 pcs screws (②) which attach the lower cone cylinder to the control cylinder.
Clear debris on the surface of **thermocouple**.
3. Remove the 4 pcs screws (③) at the bottom of control cylinder.
Clear the debris of the surface and the inside of the **injection nozzle**.

NOTE :

It is recommended that this heater painted body components from the emitter down are periodically protected with a coat of automobile wax. If repainting is necessary, paint only the post and gas cylinder housing. Never paint the reflector, combustion assembly, or instruction plate on post.

Keep exterior surfaces clean:

Use warm soapy water for cleaning. Never use flammable or corrosive cleaning agents.

While washing your unit, be sure to keep the area around the combustion assembly dry at all times. If the gas control is exposed to water in any way, do NOT try to use it. It must be replaced.

WARNING

FOR YOUR SAFETY :

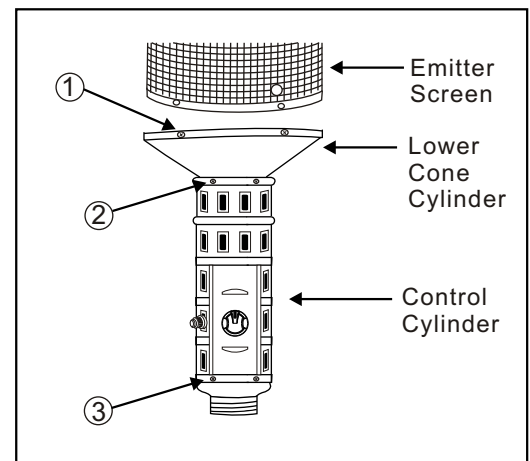
DO NOT touch or move heater for at least 45 minutes after use.
Allow all burner elements to cool before touching.

NOTE

In a salt-air environment (such as near an ocean), corrosion occurs more quickly than normal. Frequently check for corroded areas and repair them promptly.

NOTE

Wait until heater is cool before covering.



TROUBLESHOOTING

PROBLEM	PROBABLE CAUSE	SOLUTION
Pilot will not light	Gas valve may be OFF	Turn the gas valve ON
	Fuel Tank empty	Refill LP gas tank
	Orifice blocked	Clean or replace Orifice
	Air in supply system	Purge air from lines
	No Battery	Replace Battery
Pilot will not stay on	Debris around pilot	Clean dirty area
	Loose connection	Tighten connection
	Thermocouple bad	Replace Thermocouple
	Gas leak in line	Check connections
	Lack of fuel pressure	Fuel tank is near empty
Burner will not light	Pressure is low	Fuel tank is near empty
	Orifice blocked	Remove, clean and replace
	Control Valve not ON	Turn valve to ON
	Thermocouple bad	Replace Thermocouple
	Pilot light assembly bent or not in correct location	Place pilot in proper position and retry

Free Manuals Download Website

<http://myh66.com>

<http://usermanuals.us>

<http://www.somanuals.com>

<http://www.4manuals.cc>

<http://www.manual-lib.com>

<http://www.404manual.com>

<http://www.luxmanual.com>

<http://aubethermostatmanual.com>

Golf course search by state

<http://golfingnear.com>

Email search by domain

<http://emailbydomain.com>

Auto manuals search

<http://auto.somanuals.com>

TV manuals search

<http://tv.somanuals.com>