

Getting Started with Your STD-GPIB and the NI-488.2™ Software for Windows

December 1995 Edition

Part Number 321042A-01

**© Copyright 1995 National Instruments Corporation.
All Rights Reserved.**

National Instruments Corporate Headquarters

6504 Bridge Point Parkway

Austin, TX 78730-5039

(512) 794-0100

Technical support fax: (800) 328-2203

(512) 794-5678

Branch Offices:

Australia 03 9 879 9422, Austria 0662 45 79 90 0, Belgium 02 757 00 20,

Canada (Ontario) 519 622 9310, Canada (Québec) 514 694 8521,

Denmark 45 76 26 00, Finland 90 527 2321, France 1 48 14 24 24,

Germany 089 741 31 30, Hong Kong 2645 3186, Italy 02 48301892,

Japan 03 5472 2970, Korea 02 596 7456, Mexico 5 202 2544,

Netherlands 03480 33466, Norway 32 84 84 00, Singapore 2265886,

Spain 91 640 0085, Sweden 08 730 49 70, Switzerland 056 20 51 51,

Taiwan 02 377 1200, U.K. 01635 523545

Limited Warranty

The STD-GPIB hardware is warranted against defects in materials and workmanship for a period of two years from the date of shipment, as evidenced by receipts or other documentation. National Instruments will, at its option, repair or replace equipment that proves to be defective during the warranty period. This warranty includes parts and labor.

The media on which you receive National Instruments software are warranted not to fail to execute programming instructions, due to defects in materials and workmanship, for a period of 90 days from date of shipment, as evidenced by receipts or other documentation. National Instruments will, at its option, repair or replace software media that do not execute programming instructions if National Instruments receives notice of such defects during the warranty period. National Instruments does not warrant that the operation of the software shall be uninterrupted or error free.

A Return Material Authorization (RMA) number must be obtained from the factory and clearly marked on the outside of the package before any equipment will be accepted for warranty work. National Instruments will pay the shipping costs of returning to the owner parts which are covered by warranty.

National Instruments believes that the information in this manual is accurate. The document has been carefully reviewed for technical accuracy. In the event that technical or typographical errors exist, National Instruments reserves the right to make changes to subsequent editions of this document without prior notice to holders of this edition. The reader should consult National Instruments if errors are suspected. In no event shall National Instruments be liable for any damages arising out of or related to this document or the information contained in it.

EXCEPT AS SPECIFIED HEREIN, NATIONAL INSTRUMENTS MAKES NO WARRANTIES, EXPRESS OR IMPLIED, AND SPECIFICALLY DISCLAIMS ANY WARRANTY OF MERCHANTABILITY OR FITNESS FOR A PARTICULAR PURPOSE. CUSTOMER'S RIGHT TO RECOVER DAMAGES CAUSED BY FAULT OR NEGLIGENCE ON THE PART OF NATIONAL INSTRUMENTS SHALL BE LIMITED TO THE AMOUNT THEREFORE PAID BY THE CUSTOMER. NATIONAL INSTRUMENTS WILL NOT BE LIABLE FOR DAMAGES RESULTING FROM LOSS OF DATA, PROFITS, USE OF PRODUCTS, OR INCIDENTAL OR CONSEQUENTIAL DAMAGES, EVEN IF ADVISED OF THE POSSIBILITY THEREOF. This limitation of the liability of National Instruments will apply regardless of the form of action, whether in contract or tort, including negligence. Any action against National Instruments must be brought within one year after the cause of action accrues. National Instruments shall not be liable for any delay in performance due to causes beyond its reasonable control. The warranty provided herein does not cover damages, defects, malfunctions, or service failures caused by owner's failure to follow the National Instruments installation, operation, or maintenance instructions; owner's modification of the product; owner's abuse, misuse, or negligent acts; and power failure or surges, fire, flood, accident, actions of third parties, or other events outside reasonable control.

Copyright

Under the copyright laws, this publication may not be reproduced or transmitted in any form, electronic or mechanical, including photocopying, recording, storing in an information retrieval system, or translating, in whole or in part, without the prior written consent of National Instruments Corporation.

Trademarks

LabVIEW[®], NAT4882[®], NI-488[®], Turbo488[®], NI-488.2[™], and TNT4882C[™] are trademarks of National Instruments Corporation.

Product and company names listed are trademarks or trade names of their respective companies.

WARNING REGARDING MEDICAL AND CLINICAL USE OF NATIONAL INSTRUMENTS PRODUCTS

National Instruments products are not designed with components and testing intended to ensure a level of reliability suitable for use in treatment and diagnosis of humans. Applications of National Instruments products involving medical or clinical treatment can create a potential for accidental injury caused by product failure, or by errors on the part of the user or application designer. Any use or application of National Instruments products for or involving medical or clinical treatment must be performed by properly trained and qualified medical personnel, and all traditional medical safeguards, equipment, and procedures that are appropriate in the particular situation to prevent serious injury or death should always continue to be used when National Instruments products are being used. National Instruments products are NOT intended to be a substitute for any form of established process, procedure, or equipment used to monitor or safeguard human health and safety in medical or clinical treatment.

FCC/DOC Radio Frequency Interference Compliance

This equipment generates and uses radio frequency energy and, if not installed and used in strict accordance with the instructions in this manual, may cause interference to radio and television reception. This equipment has been tested and found to comply with the following two regulatory agencies:

Federal Communications Commission

This device complies with Part 15 of the Federal Communications Commission (FCC) Rules for a Class A digital device. Operation is subject to the following two conditions:

1. This device may not cause harmful interference in commercial environments.
2. This device must accept any interference received, including interference that may cause undesired operation.

Canadian Department of Communications

This device complies with the limits for radio noise emissions from digital apparatus set out in the Radio Interference Regulations of the Canadian Department of Communications (DOC).

Le présent appareil numérique n'émet pas de bruits radioélectriques dépassant les limites applicables aux appareils numériques de classe A prescrites dans le règlement sur le brouillage radioélectrique édicté par le ministère des communications du Canada.

Instructions to Users

These regulations are designed to provide reasonable protection against harmful interference from the equipment to radio reception in commercial areas. Operation of this equipment in a residential area is likely to cause harmful interference, in which case the user will be required to correct the interference at his own expense.

There is no guarantee that interference will not occur in a particular installation. However, the chances of interference are much less if the equipment is installed and used according to this instruction manual.

If the equipment does cause interference to radio or television reception, which can be determined by turning the equipment on and off, one or more of the following suggestions may reduce or eliminate the problem.

- Operate the equipment and the receiver on different branches of your AC electrical system.

- Move the equipment away from the receiver with which it is interfering.
- Reorient or relocate the receiver's antenna.
- Be sure that the equipment is plugged into a grounded outlet and that the grounding has not been defeated with a cheater plug.

Notice to user: Changes or modifications not expressly approved by National Instruments could void the user's authority to operate the equipment under the FCC Rules.

If necessary, consult National Instruments or an experienced radio/television technician for additional suggestions. The following booklet prepared by the FCC may also be helpful: *How to Identify and Resolve Radio-TV Interference Problems*. This booklet is available from the U.S. Government Printing Office, Washington, DC 20402, Stock Number 004-000-00345-4.

Contents

About This Manual	ix
How to Use the Manual Set	ix
Organization of This Manual	x
Conventions Used in This Manual	x
Related Documentation	xi
Customer Communication	xii
Chapter 1	
Introduction	1-1
How to Use This Manual	1-1
What You Need to Get Started	1-2
Hardware Description	1-2
Software Description	1-3
ni-pnp Utility Overview	1-3
Optional Programming Environments	1-3
Chapter 2	
Hardware Configuration and Installation	2-1
Install the Hardware	2-2
Configure the Hardware	2-4
Selecting the Base I/O Address	2-6
Selecting the Interrupt Request Line	2-9
Selecting the DMA Channel	2-12
Using Programmed I/O for GPIB Transfers	2-14
Setting the Shield Ground Configuration	2-14
Setting the Operating Mode	2-15
Chapter 3	
Software Installation and Configuration	3-1
NI-488.2 Software Components	3-1
Install the Software	3-1
Configure the Software	3-2
Chapter 4	
Installation Verification and Troubleshooting	4-1
Troubleshooting ni-pnp Error Messages	4-1
Run the Hardware Diagnostic Test	4-2
Troubleshooting Hardware Diagnostic Test Error Messages	4-2
Using Single-Cycle DMA	4-2
Correcting Hardware Settings	4-3
Run the Software Diagnostic Test	4-4
Troubleshooting Software Diagnostic Test Error Messages	4-4
Presence Test of Software Components	4-5
Presence Test of Driver	4-5

Contents

Presence Test of Module.....	4-5
GPIB Cables Connected	4-6
Common Questions	4-6
Chapter 5	
Using Your NI-488.2 Software	5-1
Introduction to the Win16 Interactive Control Utility	5-1
General Programming Considerations	5-1
Appendix A	
Hardware Specifications	A-1
Appendix B	
Interrupt Routing	B-1
Frontplane Interrupts	B-1
Backplane Interrupts	B-2
Setting Interrupts on the STD-GPIB	B-2
Appendix C	
Customer Communication	C-1
Glossary	G-1

Figures

Figure 2-1.	Installing the STD-GPIB Board	2-2
Figure 2-2.	Completed Installation for the STD-GPIB	2-3
Figure 2-3.	STD-GPIB Parts Locator Diagram	2-5
Figure 2-4.	Base I/O Address Switch Settings	2-8
Figure 2-5.	Interrupt Jumper Setting for IRQ11 in a Ziotech Computer	2-10
Figure 2-6.	Interrupt Jumper Setting for IRQ5 in a WinSystems Computer.....	2-11
Figure 2-7.	Jumper Setting for Disabling Interrupts.....	2-12
Figure 2-8.	DMA Channel Jumper Setting for DMA Channel 6.....	2-13
Figure 2-9.	DMA Jumper Setting for No DMA Channel	2-14
Figure 2-10.	Ground Configuration Jumper Settings.....	2-15
Figure 2-11.	Jumper Settings for 8-Bit and 16-Bit Mode Operation	2-15

Tables

Table 2-1.	Hardware Default Settings	2-1
Table 2-2.	Possible Base I/O Address Switch Settings	2-6
Table 2-3.	DMA Channels	2-12
Table A-1.	Electrical Characteristics.....	A-1
Table A-2.	Environmental Characteristics	A-1
Table A-3.	Physical Characteristics	A-1
Table B-1.	J3 Frontplane Interrupt Connector Pinouts	B-1
Table B-2.	STD-GPIB Interrupt Routing.....	B-2

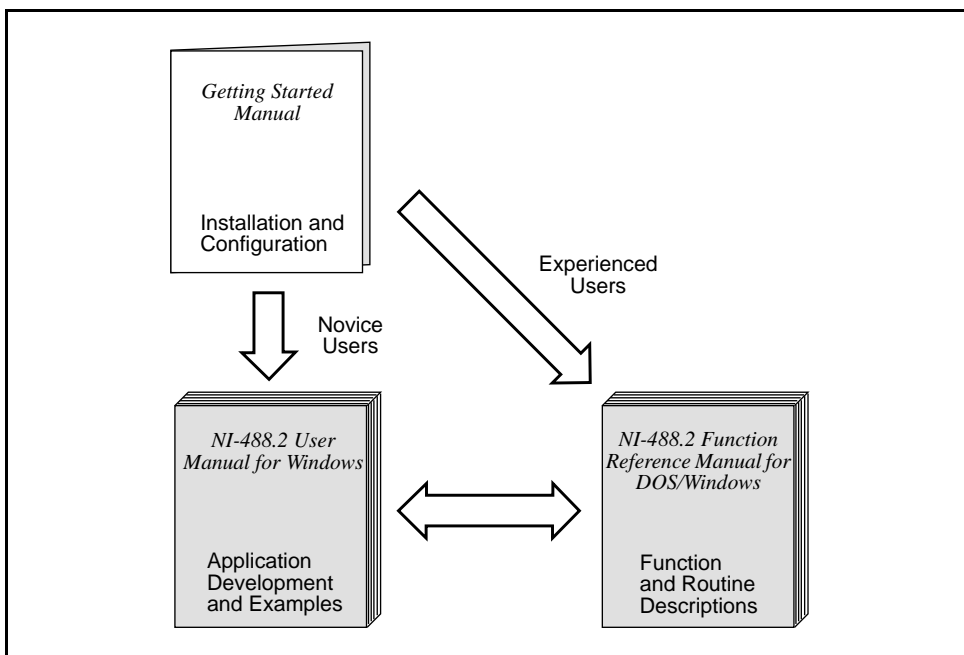


About This Manual

This manual contains instructions to help you install and configure the National Instruments STD-GPIB interface board and the NI-488.2 software for Windows. The interface board is intended for use in a STD/STD32 system. The NI-488.2 software is intended for use with Windows version 3.1.

This manual assumes that you are already familiar with the Windows operating system.

How to Use the Manual Set



Use this getting started manual to install and configure your STD-GPIB and the NI-488.2 software for Windows.

Use the *NI-488.2 User Manual for Windows* to learn the basics of GPIB and how to develop an application program. The manual also contains debugging information and detailed examples.

Use the *NI-488.2 Function Reference Manual for DOS/Windows* for specific NI-488 function and NI-488.2 routine information, such as format, parameters, and possible errors.

Organization of This Manual

This manual is organized as follows:

- Chapter 1, *Introduction*, explains how to use this manual, lists what you need to get started, and briefly describes the STD-GPIB and the NI-488.2 software.
- Chapter 2, *Hardware Configuration and Installation*, contains instructions to help you configure and install your STD-GPIB.
- Chapter 3, *Software Installation and Configuration*, contains instructions to help you install and configure your NI-488.2 software.
- Chapter 4, *Installation Verification and Troubleshooting*, describes how to verify the hardware and software installation and how to troubleshoot problems.
- Chapter 5, *Using Your NI-488.2 Software*, introduces the Win16 Interactive Control utility and lists some programming considerations.
- Appendix A, *Hardware Specifications*, describes the characteristics of the STD-GPIB and the recommended operating conditions.
- Appendix B, *Interrupt Routing*, contains useful information for you if you want to configure the interrupt lines for an STD/STD32 computer not manufactured by WinSystems or Ziotech, or a computer that is not AT-compatible.
- Appendix C, *Customer Communication*, contains forms you can use to request help from National Instruments or to comment on our products and manuals.
- The *Glossary* contains an alphabetical list and a description of terms used in this manual, including abbreviations, acronyms, metric prefixes, mnemonics, and symbols.

Conventions Used in This Manual

The following conventions are used in this manual.

bold	Bold text denotes menus, menu items, dialog buttons, or options.
<i>italic</i>	Italic text denotes emphasis, a cross reference, or an introduction to a key concept.
<i>bold italic</i>	Bold italic text denotes a note, caution, or warning.

<code>monospace</code>	Text in this font denotes text or characters that are to be literally input from the keyboard, sections of code, programming examples, and syntax examples. This font is also used for the proper names of disk drives, directories, programs, subprograms, subroutines, device names, functions, variables, field names and filenames.
<i>italic monospace</i>	Italic text in this font denotes that you must supply the appropriate words or values in place of these items.
bold monospace	Bold text in this font denotes the messages and responses that the computer automatically prints to the screen.
<>	Angle brackets enclose the name of a key on the keyboard—for example, <PageDown>.
-	A hyphen between two or more key names enclosed in angle brackets denotes that you should simultaneously press the named keys—for example, <Control-Alt-Delete>.
IEEE 488 and IEEE 488.2	IEEE 488 and IEEE 488.2 refer to the ANSI/IEEE Standard 488.1-1987 and the ANSI/IEEE Standard 488.2-1987, respectively, which define the GPIB.

Abbreviations, acronyms, metric prefixes, mnemonics, symbols, and terms are listed in the *Glossary*.

Related Documentation

The following documents contain information that you may find helpful as you read this manual.

- ANSI/IEEE Standard 488.1-1987, *IEEE Standard Digital Interface for Programmable Instrumentation*
- ANSI/IEEE Standard 488.2-1987, *IEEE Standard Codes, Formats, Protocols, and Common Commands*
- *Microsoft Windows User's Guide*, Microsoft Corporation
- *STD Specification*, Version 2.1

Customer Communication

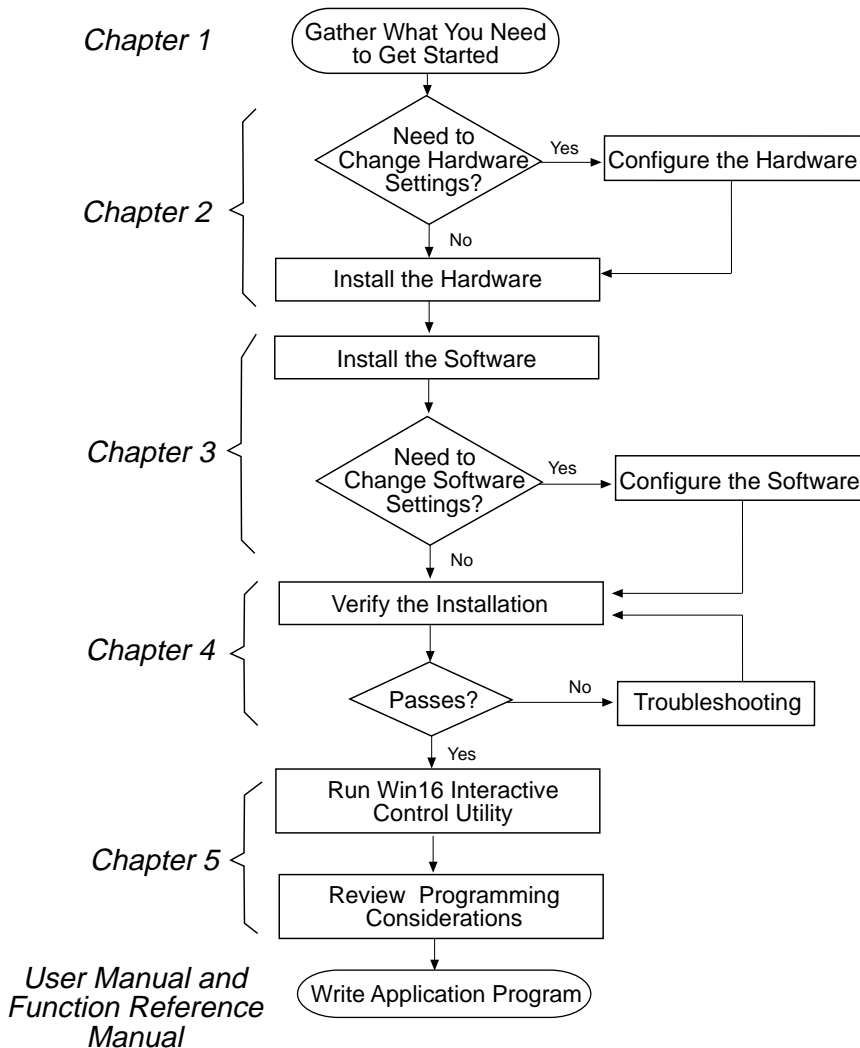
National Instruments wants to receive your comments on our products and manuals. We are interested in the applications you develop with our products, and we want to help if you have problems with them. To make it easy for you to contact us, this manual contains comment and configuration forms for you to complete. These forms are in Appendix C, *Customer Communication*, at the end of this manual.

Chapter 1

Introduction

This chapter explains how to use this manual, lists what you need to get started, and briefly describes the STD-GPIB and the NI-488.2 software.

How to Use This Manual



What You Need to Get Started

- STD-GPIB
- STD-GPIB feedthrough front panel assembly
- 3.5 in. high density (1.44 MB) distribution disk:
NI-488.2 Software for Windows and the AT-GPIB/TNT+, AT-GPIB/TNT (PnP), EISA-GPIB and AT-GPIB/TNT
- Microsoft Windows version 3.1 installed on your system

Hardware Description

The STD specification, IEEE 961, is an 8-bit microprocessor bus standard that combines small card size, flexibility, and expandability for industrial and commercial applications that require dependable and expandable resources. Beyond the IEEE 961 specification, the STD bus Manufacturers' Group (STDMG) maintains the STD-80 Series specification, which includes recent STD bus enhancements. The changes and additions enable the STD bus to support 16-bit data transfers for memory and I/O cards, by multiplexing the high data byte with eight address lines. STD 32, an extension of the original STD bus, employs EISA technology to provide 16- and 32-bit data transfers across the backplane without the multiplexing of signals.

The STD-GPIB, equipped with a TNT4882C ASIC, transforms any STD/STD32 system into a full-functioning GPIB Talker/Listener/Controller. The TNT4882C chip combines the circuitry of the NAT4882 ASIC, the Turbo488 performance-enhancing ASIC, and GPIB transceivers to create a single-chip IEEE 488.2 Talker/Listener/Controller interface. The TNT4882C also implements the HS488 high-speed protocol, which increases the maximum data transfer rate of the STD-GPIB to over 1 Mbyte/s. For more information about HS488, refer to Chapter 7, *GPIB Programming Techniques*, in the *NI-488.2 User Manual for Windows*.

The STD-GPIB is functionally identical to the AT-GPIB/TNT and can run any NI-488.2 driver software for the AT-GPIB/TNT. The STD-GPIB can be plugged into a Ziatech (STD-32) or WinSystems (STD-80) backplane. The STD-GPIB automatically detects the type of system it is plugged into and configures itself for either multiplexed (WinSystems) or non-multiplexed (Ziatech) 16-bit data transfers. The STD-GPIB is equipped with a feedthrough front panel assembly for easy user access to the GPIB port. You can use standard GPIB cables to connect the STD-GPIB with up to 14 instruments. If you want to use more than the maximum number of instruments, you can order a bus extender or expander from National Instruments. Refer to Appendix A, *Hardware Specifications*, for more information about the GPIB hardware specifications and recommended operating conditions.

Software Description

The STD-GPIB uses the NI-488.2 driver software for the AT-GPIB/TNT. The NI-488.2 software for Windows includes a Windows dynamic link library, language interface libraries, and debugging and development utilities. The NI-488.2 software and GPIB hardware transform a STD/STD32 system into a GPIB Talker/Listener/Controller that has complete communications and bus management capability.

ni-pnp Utility Overview

The `ni-pnp` utility is a small program that runs each time you reboot your system. It collects information about National Instruments interfaces in your system. In systems that are Plug and Play ready, `ni-pnp` simply retrieves the current configuration of each interface. In systems without Plug and Play system software, `ni-pnp` performs the actual configuration of each interface. `ni-pnp` does not select the resources to assign to interfaces. If your system does not assign resources, you must run the GPIB software configuration utility to assign resources to the GPIB interfaces. After the configuration of each interface is determined, `ni-pnp` provides this information to the NI-488.2 driver.

Optional Programming Environments

Your kit includes the NI-488.2 software for Windows. In addition, you can order the LabWindows[®]/CVI or LabVIEW software from National Instruments. LabWindows/CVI and LabVIEW include instrument driver libraries that make it easier to communicate with your GPIB instruments.

LabWindows/CVI is an interactive ANSI C development environment for building test and measurement and instrument control systems. It includes interactive code-generation tools and a graphical editor for building custom user interfaces. It also includes built-in libraries for IEEE 488.2, VXI, RS-232 control, and plug-in data acquisition. When you order LabWindows/CVI, you also get more than 300 complete instrument drivers, which are modular, source-code programs that handle the communication with your instrument so that you do not have to learn the programming details.

LabVIEW is a complete programming environment that departs from the sequential nature of traditional programming languages and features a graphical programming environment. It includes all the tools needed for instrument control, data acquisition, analysis, and presentation. LabVIEW also includes an extensive instrument driver library.

For more information about LabWindows/CVI and LabVIEW, contact National Instruments.

Chapter 2

Hardware Configuration and Installation

This chapter contains instructions to help you configure and install your STD-GPIB.

Warning: *Electrostatic discharge can damage some components on your STD-GPIB. To avoid such damage in handling the module, touch the antistatic plastic package to a metal part of your computer chassis before removing the module from the package.*

The STD-GPIB default settings are suitable for most STD/STD32 systems. However, if any of the following situations is true, you must reconfigure the hardware.

- If the default settings conflict with another device in your system
- If you need to install more than one STD-GPIB
- If your system CPU board supports only 8-bit STD bus transfers

If you already have STD-GPIB modules installed in your system, you can run the GPIB Information utility to determine how the modules are configured. For more information about the GPIB Information utility, refer to Chapter 4, *Debugging Your Application*, in the *NI-488.2 User Manual for Windows*.

Table 2-1 shows the default settings for the switches and jumpers on the STD-GPIB.

Table 2-1. Hardware Default Settings

Characteristic	Default Setting
Base I/O Address (hex)	2C0
DMA Channel	5
Interrupt Line (IRQ)	None*
Operation Mode	16-Bit

* The jumper settings for any interrupt level depend on which computer you are using (Ziatech or WinSystems), so the STD-GPIB is shipped with interrupts disabled. However, the NI-488.2 software is configured to use IRQ11 by default and will not function properly until you disable interrupts in the GPIB software configuration utility. Your hardware and software settings must match.

To modify the default settings of the STD-GPIB, refer to the *Configure the Hardware* section of this chapter. If you do not need to reconfigure the STD-GPIB, refer to the *Install the Hardware* section.

Install the Hardware

Perform the following steps to install the STD-GPIB.

1. Power off your STD/STD32 system. Keep the system plugged in so that it remains grounded while you install the STD-GPIB.
2. Remove any front plates that are blocking the access to the backplane slot.
3. Insert the STD-GPIB into any unused slot with the GPIB connector facing away from the backplane, as shown in Figure 2-1.

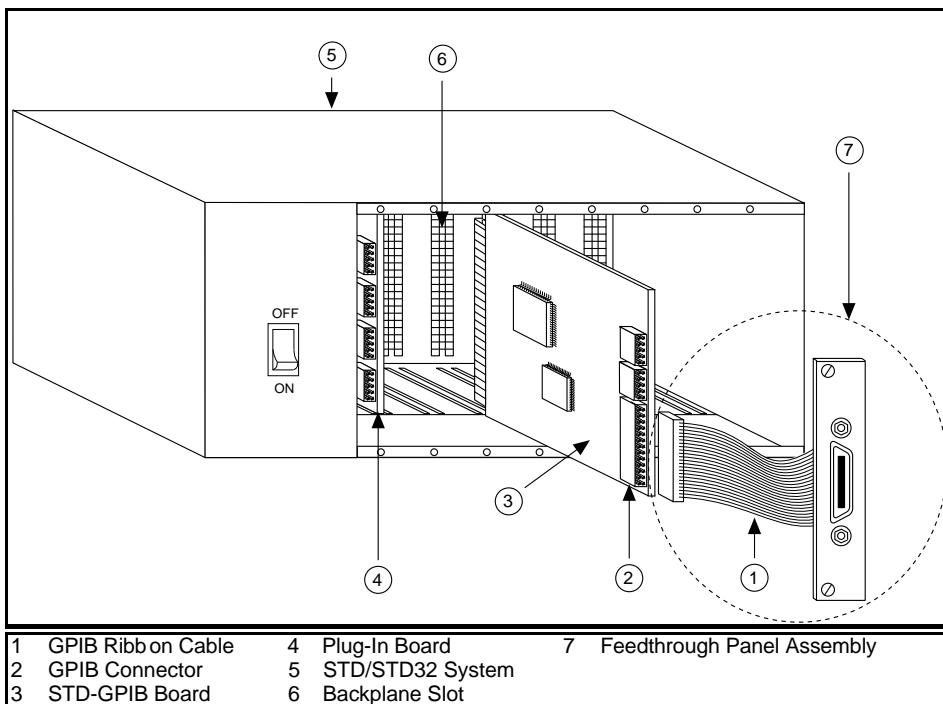


Figure 2-1. Installing the STD-GPIB Board

4. Plug the GPIB ribbon cable into the GPIB connector on the STD-GPIB. The header is keyed so that it fits in only one direction. Do not force the GPIB ribbon cable connector into place. The GPIB ribbon cable is 5 in. long and terminated with a panel-mount GPIB connector that is mounted to a special GPIB front plate for easy access in your system.

Note: *If you plan to perform HS488 high-speed protocol transfers, you must configure the NI-488.2 software for the amount of GPIB cable length in your system. The 5 in. GPIB ribbon cable must be added to your total GPIB cable length.*

5. Mount the feedthrough panel assembly onto the STD/STD32 card cage using the two large thumbscrews.
6. Check that the installation resembles Figure 2-2.

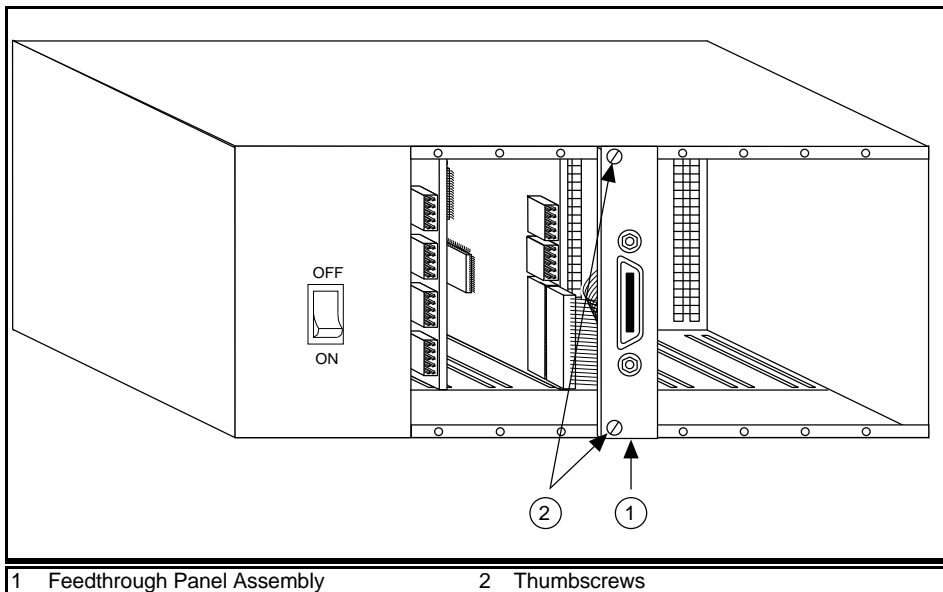


Figure 2-2. Completed Installation for the STD-GPIB

7. Power on your system.

After you have installed your STD-GPIB, you are ready to install the NI-488.2 software. Refer to Chapter 3, *Software Installation and Configuration*.

Configure the Hardware

Follow the instructions in this section to change the hardware settings of the STD-GPIB before you install it. The default settings are suitable for most STD systems, but you need to change the hardware settings in the following situations:

- If you want to use interrupts for the STD-GPIB
- If the default settings conflict with another device in your system
- If you are installing more than one STD-GPIB

The default settings for the switches and jumpers on the STD-GPIB are as follows:

- Base I/O Address (hex): 2C0
- DMA Channel: 5
- Interrupt Line (IRQ): None

Figure 2-3 shows the location of the configuration jumpers and switches on the STD-GPIB.

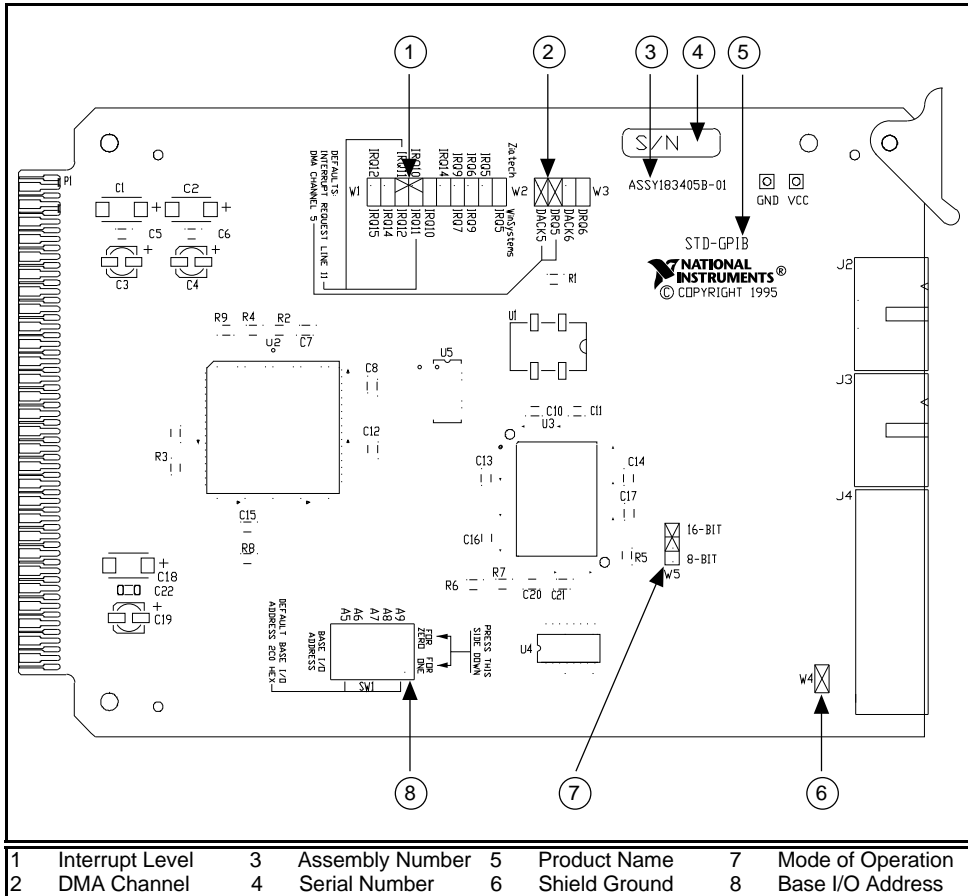


Figure 2-3. STD-GPIB Parts Locator Diagram

Selecting the Base I/O Address

STD/STD32 computers have a segment of address space reserved for input and output. This segment is referred to as the I/O address space. The base I/O address of an STD/STD32 module such as the STD-GPIB is the first position in the I/O address space occupied by the STD/STD32 module.

By default, the STD-GPIB is configured to use base I/O address 2C0 hex. With this setting, the module uses the I/O address space 2C0 hex through 2DF hex. If this address range is already in use by another device or if you are installing more than one STD-GPIB, follow these steps to reconfigure the base I/O address setting.

1. Choose a new base I/O address setting.

You can configure the base I/O addresses to any setting between 0x100 and 0x3E0 that is a multiple of 0x20 hex. If you are installing more than one STD-GPIB, each module must use a unique base I/O address.

Table 2-2 lists the possible switch settings, the corresponding base I/O addresses, and the I/O address space used for each setting. The default settings are in ***bold italics***.

Table 2-2. Possible Base I/O Address Switch Settings

Switch Setting					Base I/O Address (hex)	I/O Address Space Used (hex)
A9	A8	A7	A6	A5		
0	1	0	0	0	100	100 to 11F
0	1	0	0	1	120	120 to 13F
0	1	0	1	0	140	140 to 15F
0	1	0	1	1	160	160 to 17F
0	1	1	0	0	180	180 to 19F
0	1	1	0	1	1A0	1A0 to 1BF
0	1	1	1	0	1C0	1C0 to 1DF
0	1	1	1	1	1E0	1E0 to 1FF
1	0	0	0	0	200	200 to 21F
1	0	0	0	1	220	220 to 23F
1	0	0	1	0	240	240 to 25F
1	0	0	1	1	260	260 to 27F
1	0	1	0	0	280	280 to 29F

(continues)

Table 2-2. Possible Base I/O Address Switch Settings (Continued)

Switch Setting					Base I/O Address (hex)	I/O Address Space Used (hex)
A9	A8	A7	A6	A5		
1	0	1	0	1	2A0	2A0 to 2BF
1	0	1	1	0	2C0	2C0 to 2DF
1	0	1	1	1	2E0	2E0 to 2FF
1	1	0	0	0	300	300 to 31F
1	1	0	0	1	320	320 to 33F
1	1	0	1	0	340	340 to 35F
1	1	0	1	1	360	360 to 37F
1	1	1	0	0	380	380 to 39F
1	1	1	0	1	3A0	3A0 to 3BF
1	1	1	1	0	3C0	3C0 to 3DF
1	1	1	1	1	3E0	3E0 to 3FF

2. Locate the base I/O address switch at SW1 on your STD-GPIB. Refer to the parts locator diagram, Figure 2-3.
3. Change the switch settings to configure the STD-GPIB to the new base I/O address.

Press down on the side marked 1 to select a binary value of 1 for the corresponding address bit. Press down on the 0 side of the switch to select a binary value of 0. Refer to Figure 2-4 for an example of the switch settings and corresponding base I/O addresses.

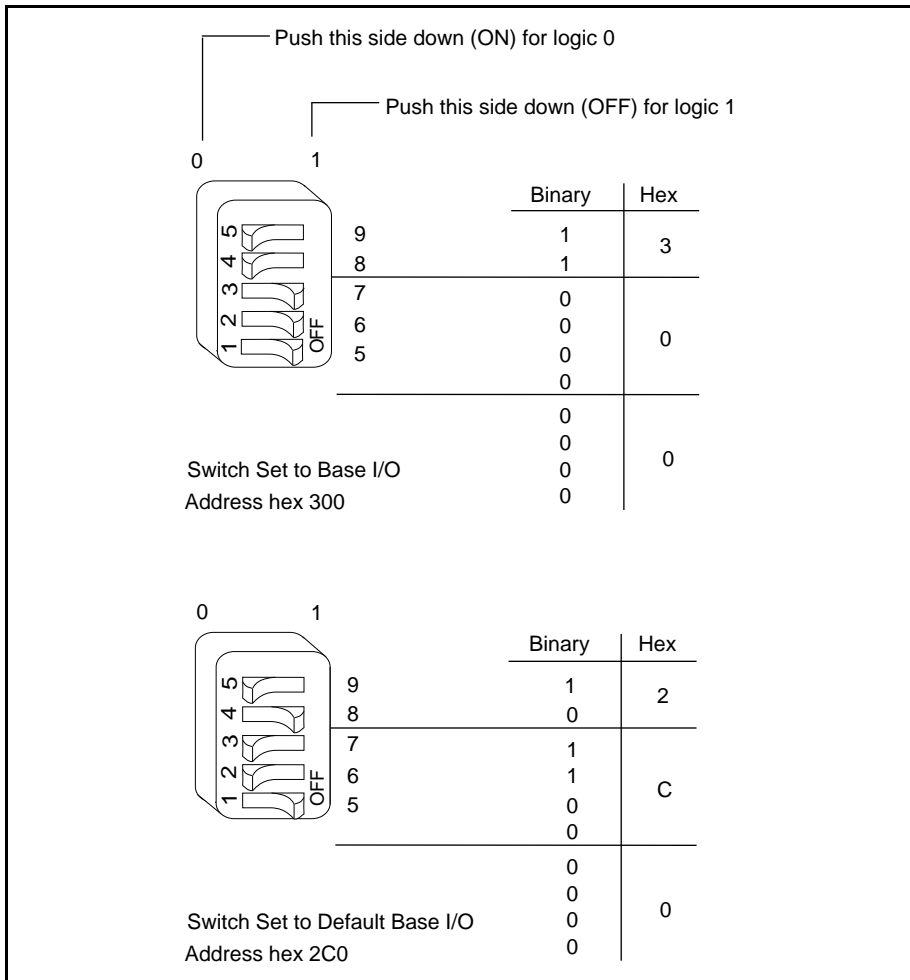


Figure 2-4. Base I/O Address Switch Settings

- Record your new setting on the *STD-GPIB Hardware and Software Configuration Form* in Appendix C, *Customer Communication*.
- Remember that after you install the NI-488.2 software, you must use the GPIB software configuration utility to configure your software settings to match your new hardware settings. Refer to the *Configure the Software* section in Chapter 3, *Software Installation and Configuration*, for more information.

Selecting the Interrupt Request Line

STD/STD32 computers have a series of interrupt lines available to devices. Some of the interrupt lines reside in the backplane, and the others are available through a 10-pin frontplane connector. Devices use interrupts to get immediate service from the CPU for asynchronous events. Your GPIB hardware and the NI-488.2 software use interrupts to get service from the CPU when necessary.

The STD-GPIB is shipped with interrupts disabled. If you want to select an interrupt setting for the STD-GPIB, follow these steps to reconfigure the interrupt request line:

1. Choose a new interrupt request line (IRQ) setting.

If you are installing the STD-GPIB into a Ziatech STD32 AT-compatible computer, you can configure it to use any of the following interrupt lines: IRQ5, 6, 9, 10, 11, 12, 14, or None. If you are installing the STD-GPIB into a WinSystems AT-compatible computer, you can configure it to use any of the following interrupt lines: IRQ5, 7, 9, 10, 11, 12, 14, 15, or None. You may not want to select interrupt lines 6 or 14, because interrupt line 6 is typically used by the diskette drive controller and interrupt line 14 is used by the hard disk drive controller on most systems.

If you are installing more than one STD-GPIB, each module must either use a unique IRQ level or not use interrupts at all.

2. Find the jumpers at W1 and W2 that set the interrupt request line. Refer to the parts locator diagram, Figure 2-3.
3. Change the jumper settings to configure the STD-GPIB to the new interrupt request line.

To select interrupt lines for a Ziatech STD32 computer, refer to the labels on the left side of the jumpers, as shown in Figure 2-5. To select interrupt lines for a WinSystems computer, refer to the labels on the right side of the jumpers, as shown in Figure 2-6. To disable interrupts, use the jumper setting shown in Figure 2-7.

If you are using the STD-GPIB in a computer that is not manufactured by Ziatech or WinSystems, or if the computer is not an AT-compatible, find out which interrupt source corresponds to the interrupt request line you want to use for that computer, and then consult Appendix B, *Interrupt Routing*, for the proper jumper settings.

Figure 2-5 shows the setting for IRQ11 in a Ziatech AT-compatible computer.

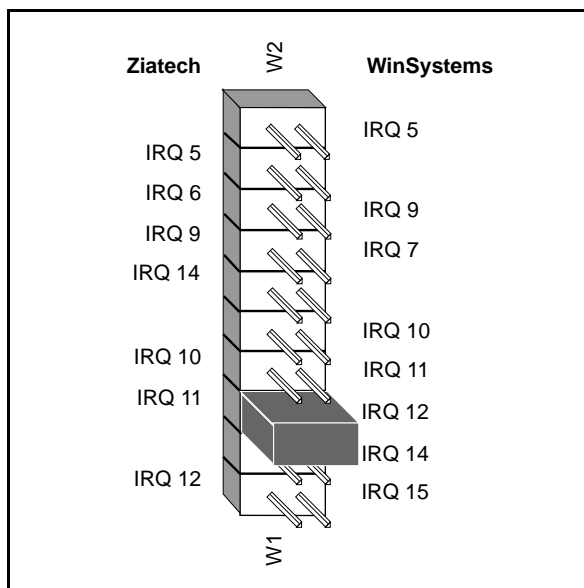


Figure 2-5. Interrupt Jumper Setting for IRQ11 in a Ziatech Computer

Figure 2-6 shows the setting for IRQ5 in a WinSystems AT-compatible computer.

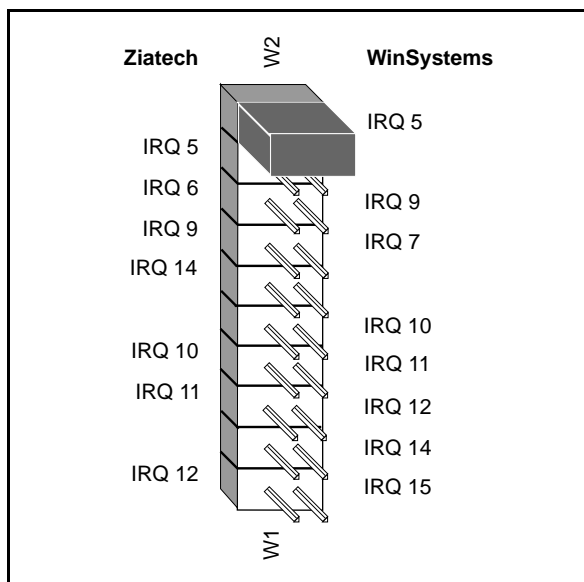


Figure 2-6. Interrupt Jumper Setting for IRQ5 in a WinSystems Computer

If you do not want to use interrupts, you can disable interrupt levels on the STD-GPIB by leaving the jumper as shown in Figure 2-7.

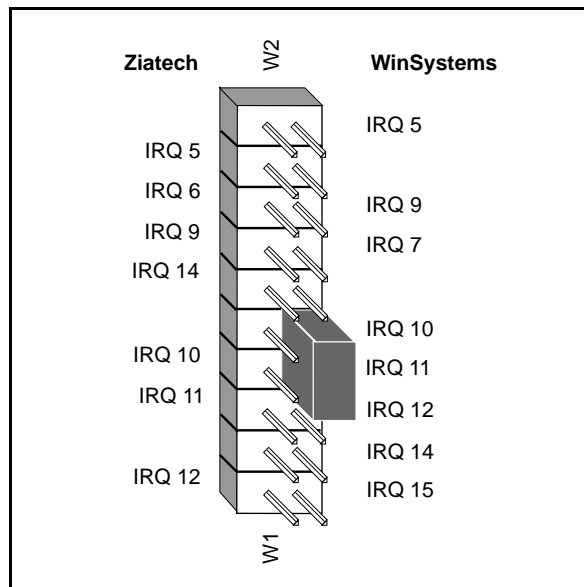


Figure 2-7. Jumper Setting for Disabling Interrupts

4. Record your new setting on the *STD-GPIB Hardware and Software Configuration Form* in Appendix C, *Customer Communication*.
5. Remember that after you install the NI-488.2 software, you must use the GPIB software configuration utility to configure your software settings to match your new hardware settings. Refer to the *Configure the Software* section in Chapter 3, *Software Installation and Configuration*, for more information.

Selecting the DMA Channel

Direct memory access (DMA) refers to data transfers directly to or directly from devices such as the STD-GPIB and system memory. Your GPIB hardware and the NI-488.2 software are designed to perform DMA. In most cases, data transfers using DMA are significantly faster than programmed I/O transfers, which use more CPU time.

The STD-GPIB is able to perform DMA transfer through the use of a frontplane DMA connector. By default, the STD-GPIB is configured to use DMA channel 5. If this is not an acceptable setting, or if you are installing more than one STD-GPIB, follow these steps to reconfigure the DMA channel.

Note: *The STD-GPIB supports only 16-bit DMA transfers. If your CPU board does not support 16-bit DMA transfers, you must disable DMA. Refer to Figure 2-9, which shows how to set the DMA jumpers for no DMA.*

1. Choose a new DMA channel setting.

You can use channel 5 or 6. If you are installing more than one STD-GPIB, each module must either use a unique DMA channel or must not use DMA at all.

2. Locate the jumpers at W3 that select the DMA channel. Refer to the parts locator diagram, Figure 2-3.
3. Change the jumper settings to configure the STD-GPIB to the new DMA channel. To select a new DMA channel, you must set both the DMA Acknowledge and DMA Request lines, as shown in Table 2-3.

Table 2-3. DMA Channels

DMA Channel	Signal Lines	
	DMA Acknowledge	DMA Request
5	DACK5	DRQ5
6	DACK6	DRQ6

Figure 2-8 shows the jumper position for selecting DMA channel 6.

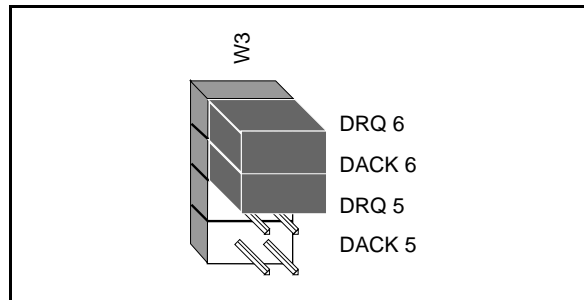


Figure 2-8. DMA Channel Jumper Setting for DMA Channel 6

4. Record your new setting on the *STD-GPIB Hardware and Software Configuration Form* in Appendix C, *Customer Communication*.
5. Remember that after you install the NI-488.2 software, you must use the GPIB software configuration utility to configure your software setting to match your new hardware settings. Refer to the *Configure the Software* section in Chapter 3, *Software Installation and Configuration*, for more information.

Using Programmed I/O for GPIB Transfers

As an alternative to DMA transfers, you can use programmed I/O. To use programmed I/O, you should disable DMA for the STD-GPIB by moving the jumpers as shown in Figure 2-9.

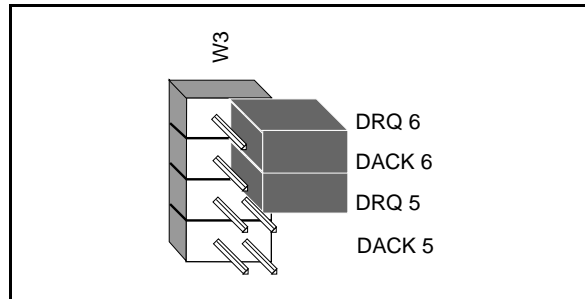


Figure 2-9. DMA Jumper Setting for No DMA Channel

Setting the Shield Ground Configuration

The STD-GPIB is set at the factory with the jumper in place to connect the logic ground of the STD-GPIB to its shield ground. This configuration minimizes EMI emissions.

If your application requires that logic ground be disconnected from shield ground, follow these steps:

1. Refer to Figure 2-3 to locate the shield ground jumper W4 on the STD-GPIB.
2. Remove the jumper and place it across only one of the jumper pins, as shown in Figure 2-10.

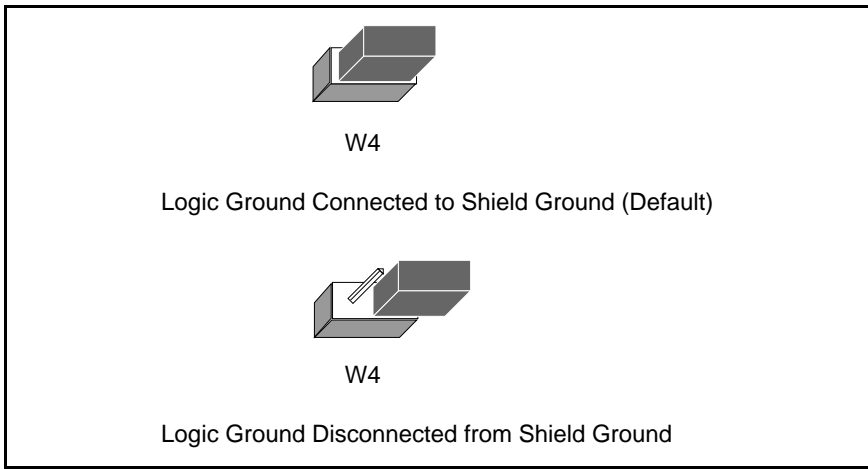


Figure 2-10. Ground Configuration Jumper Settings

3. Record the jumper setting on the *STD-GPIB Hardware and Software Configuration Form* in Appendix C, *Customer Communication*.

Setting the Operating Mode

The STD-GPIB can operate in 8-bit or 16-bit mode. By default, the STD-GPIB is configured to operate in 16-bit mode. In 16-bit mode, the STD-GPIB works with any CPU card that is capable of 8-bit and 16-bit data transfers across the STD bus. If the CPU card you are using is capable of 8-bit transfers only, you must change the STD-GPIB setting to 8-bit mode. Follow these steps to change the jumper setting.

1. Refer to Figure 2-3 to locate the shield ground jumper W5 on the STD-GPIB.
2. Change the jumper setting for 8-bit operation, as shown in Figure 2-11.

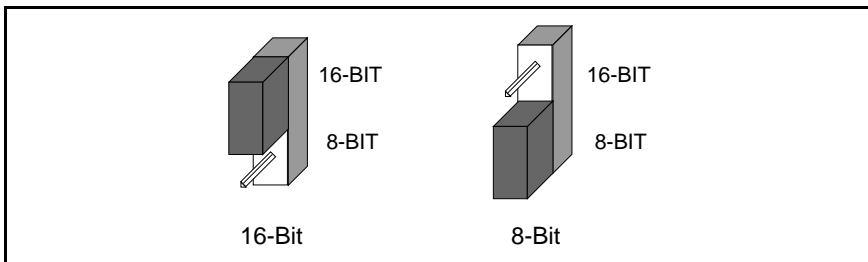


Figure 2-11. Jumper Settings for 8-Bit and 16-Bit Mode Operation

3. Record the jumper setting on the *STD-GPIB Hardware and Software Configuration Form* in Appendix C, *Customer Communication*.

Now that you have properly configured the hardware, return to the *Install the Hardware* section at the beginning of this chapter for the installation instructions.

Chapter 3

Software Installation and Configuration

This chapter contains instructions to help you install and configure your NI-488.2 software.

NI-488.2 Software Components

The STD-GPIB is functionally equivalent to the AT-GPIB/TNT and is packaged with the NI-488.2 software for the AT-GPIB/TNT. The software includes the following components:

- Device driver
- Hardware and software diagnostic tests
- Configuration utility
- Interactive control program
- Utilities for software development
- Language interface libraries for Microsoft C and Microsoft Visual Basic for Windows
- Example programs that use NI-488 functions and NI-488.2 routines

For a detailed list of files, refer to the *NI-488.2 User Manual for Windows*.

Install the Software

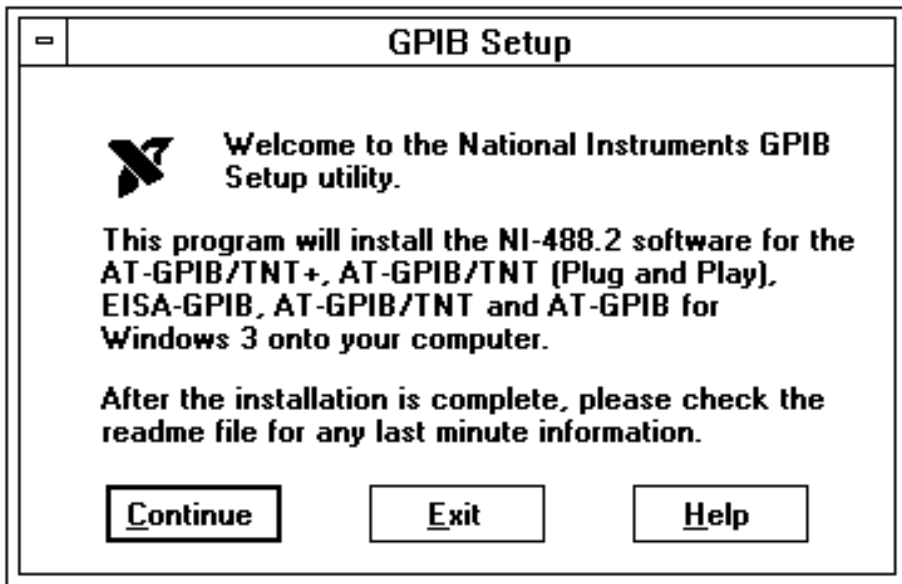
After you have installed and configured the hardware, you are ready to install the NI-488.2 software. Complete the following steps to run the software installation program.

1. Insert the NI-488.2 software for Windows distribution disk into an unused drive.
2. Choose **Run...** from the **File** menu in the **Program Manager** window and type the following command into the dialog box:

```
x:\setup
```

where *x* is the letter of the drive containing the distribution disk (usually a or b).

The software installation begins with the following screen:



The interactive Windows setup program takes you through the necessary steps to install the NI-488.2 software. For help during the installation, press the **Help** button. You can exit the setup at any time by pressing the **Exit** button.

3. After the installation is complete, restart your system.

After you have installed your software, you might want to view or modify the driver configuration. If you modified the hardware configuration, or if you installed more than one STD-GPIB, you must reconfigure the software. Refer to the next section for instructions on running the GPIB software configuration utility. If you do not need to configure the software, refer to Chapter 4, *Installation Verification and Troubleshooting*, for instructions on verifying the hardware and software installation.

Configure the Software

The GPIB software configuration utility is an interactive utility that you can use to examine or modify the configuration of the driver, including enabling or disabling DMA and interrupts. Run the software configuration utility and make sure the software settings match the switch and jumper settings on your board. For example, if you used the default IRQ disabled setting on the board, change the IRQ setting in the configuration utility to None.

To run the GPIB software configuration utility, double-click on the **GPIB** icon in the **Control Panel**, which is located in the **Main** group of the **Program Manager**.

The utility displays a list of all the GPIB modules and device names. Double-click on any name to examine or edit it. The correct board type to use for the STD-GPIB in the configuration utility is AT-GPIB/TNT. You can use the online help if you have any questions. For more information about the GPIB software configuration utility, refer to the *NI-488.2 User Manual for Windows*.

If you plan to use the HS488 high-speed protocol, you must specify in the GPIB software configuration utility the amount of GPIB cable length in your system. The 5 in. GPIB ribbon cable must be included in the total length.

After the software is installed and configured, you should verify the installation. Refer to Chapter 4, *Installation Verification and Troubleshooting*.

Chapter 4

Installation Verification and Troubleshooting

This chapter describes how to verify the hardware and software installation and how to troubleshoot problems.

Troubleshooting ni-pnp Error Messages

The `ni-pnp.exe` program should be located in the root directory of your boot drive, usually `C:\`. It should be run from your `autoexec.bat` file, so that `ni-pnp` executes every time your system is started. `ni-pnp` normally produces very little output when it is run, displaying only the name of each National Instruments interface module it detects. Most errors that `ni-pnp` might detect are handled transparently. If `ni-pnp` finds an error from which it cannot recover, it displays a message and describes the best method for fixing the problem.

Some possible problems that `ni-pnp` might report include modules with unassigned resources and modules for which resource conflicts exist. If `ni-pnp` encounters a module with no assigned resources, it displays the following message:

This interface has no assigned resources.

If you receive this message, you must run the GPIB software configuration utility and assign resources to the module. If `ni-pnp` detects an I/O address conflict, it displays the following message:

I/O Address Conflict.

If you receive this message, you must run the GPIB software configuration utility and change the base I/O address for the module.

You can run `ni-pnp` in a verbose output mode. In this mode, `ni-pnp` displays more information about each interface, including its assigned resources. To run `ni-pnp` in verbose mode, change to the directory which contains `ni-pnp.exe`. This is the root of the boot drive (usually `C:\`). Run `ni-pnp` with the verbose output flag by typing `ni-pnp /v`.

A different, more serious error can also occur on systems that are not Plug and Play ready. Because `ni-pnp` must assign resources to the modules, it must first perform the Plug and Play ISA isolation sequence. The isolation sequence is a method by which all Plug and Play modules can be detected. It is possible, although rare, that this isolation sequence could lock up your system. If this occurs, restart your system. `ni-pnp` then detects that your system was locked up and displays an error message describing the problem. `ni-pnp` can enter a fail-safe detection mode in which it records each I/O port before testing that port. If your system locks up while testing a port in this mode,

`ni -pnp` excludes that I/O port from future testing. If you know that you do not have any National Instruments Plug and Play modules in your system, you can configure `ni -pnp` so that it does not attempt to detect any Plug and Play modules. `ni -pnp` prompts you to choose between entering the fail-safe mode or disabling the detection of Plug and Play modules.

Run the Hardware Diagnostic Test

To verify and test the hardware installation, run the Hardware Diagnostic Test that came with your NI-488.2 software. The test verifies that your hardware is functioning properly and that the configuration of your STD-GPIB does not conflict with anything else in your system.

To run the test, double-click on the **Hardware Diagnostic Test** icon in the **NI-488.2 GPIB Software** group in the **Program Manager**.

If the Hardware Diagnostic Test completes with no errors, your hardware is functioning properly. If it returns an error message, refer to the next section for troubleshooting instructions.

Troubleshooting Hardware Diagnostic Test Error Messages

First verify that the switch and jumper settings on the hardware match the values you entered in the Hardware Diagnostic Test.

Using Single-Cycle DMA

The STD-GPIB normally uses demand-mode DMA. If your system cannot use demand-mode DMA, the Hardware Diagnostic Test prints a message telling you to use single-cycle DMA. You can select single-cycle DMA by configuring the software using the GPIB software configuration utility. Refer to the *Configure the Software* section of Chapter 3, *Software Installation and Configuration*, for information.

Correcting Hardware Settings

Follow these steps to troubleshoot Hardware Diagnostic Test error messages.

1. Make sure you are using a valid base I/O address.

Run the Hardware Diagnostic Test again. When it prompts you for values, enter your base I/O address, but enter <N> for both the interrupt request line and the DMA channel. If the test fails again, one of the following situations is occurring:

- The base address that you entered when prompted does not match the switch settings of the STD-GPIB. Check the switch settings again.
- Another module or built-in device in your system is using the same address space. Change the base I/O address of your STD-GPIB and repeat this step using the new setting.
- The module is defective or cannot operate in your system. Complete the *Technical Support Form* in Appendix C, *Customer Communication*, and contact National Instruments.

2. Make sure you are using a valid interrupt request line.

Run the Hardware Diagnostic Test again. When it prompts you for values, enter the valid base I/O address as determined in Step 1, the interrupt request line, and <N> for the DMA channel. If the test fails, one of the following situations is occurring:

- The interrupt request line that you entered when prompted does not match the jumper setting of the STD-GPIB. Check the jumper setting again. If you are using a computer not manufactured by either Ziatech or WinSystems, refer to Appendix B, *Interrupt Routing*, for proper interrupt jumper settings.
- Another module or built-in device in your system is using the same interrupt request line. Change the interrupt request line of the STD-GPIB and repeat this step using the new setting.
- The module is defective or cannot operate in your system. Complete the *Technical Support Form* in Appendix C, *Customer Communication*, and contact National Instruments.

3. Make sure you are using a valid DMA channel.

Run the Hardware Diagnostic Test again. When it prompts you for values, enter the valid base I/O address and interrupt request line as determined in Steps 1 and 2, and enter the current DMA channel. If the test fails again, one of the following situations is occurring:

- The DMA channel that you entered when prompted does not match the jumper setting of the STD-GPIB. Check the jumper setting again.
- Another module or built-in device in your system is using the same DMA channel. Change the DMA channel of the STD-GPIB and repeat this step using the new setting.
- The STD-GPIB is installed in an 8-bit only backplane, and DMA is enabled. If the STD-GPIB is installed in an 8-bit only backplane, DMA must be disabled. Always select <N> for the DMA channel.
- The module is defective or cannot operate in your system. Complete the *Technical Support Form* in Appendix C, *Customer Communication*, and contact National Instruments.

Run the Software Diagnostic Test

To verify and test the hardware and software installation, run the Software Diagnostic Test that came with your NI-488.2 software. The Software Diagnostic Test is a Windows application that requires no user interaction.

Follow these steps to run the Software Diagnostic Test:

1. Disconnect any GPIB cables.
2. Double-click on the **Software Diagnostic Test** icon in the **NI-488.2 GPIB Software** group in the **Program Manager**.

If the Software Diagnostic Test completes with no errors, you have installed the NI-488.2 software correctly. If it returns an error message, refer to the next section for troubleshooting instructions.

Troubleshooting Software Diagnostic Test Error Messages

The following sections explain common error messages generated by the Software Diagnostic Test.

Note: *In the following paragraphs, gpibx refers to module gpib0, gpib1, gpib2, or gpib3 as appropriate.*

Presence Test of Software Components

The Software Diagnostic Test checks for the presence of `ni-pnp.ini`, `gpib.ini` and `gpib.dll`.

If the `ni-pnp.ini` file is not found in the root of the boot drive, the following error message is displayed:

```
An unexpected ERROR occurred:  
Unable to locate NI-PNP.INI  
Try reinstalling the NI-488.2 software.
```

If the `gpib.ini` file is not found in the Windows directory, the following error message is displayed:

```
An unexpected ERROR occurred:  
Unable to locate GPIB.INI in the Windows directory: C:\WINDOWS.  
Try reinstalling the NI-488.2 software.
```

If the `gpib.dll` file is not found in either the Windows or the Windows System directory, the following error message is displayed:

```
An unexpected ERROR occurred:  
Unable to locate GPIB.DLL in the Windows or Windows system  
directory.  
Try reinstalling the NI-488.2 software.
```

If you get any of these messages, you must reinstall the NI-488.2 software.

Presence Test of Driver

The Software Diagnostic Test displays the following message when it fails because of a mismatch between `gpib.ini` and `gpib.dll`:

```
<<< No handler present for GPIBx. >>>
```

If this message appears, you should reinstall the NI-488.2 software.

Presence Test of Module

The following error message appears if `gpibx` is not installed or if the software is not configured properly:

```
<<< No board present for GPIBx. >>>
```

If this message appears, you could have one of the following situations:

- The module might not be properly configured. Run the GPIB software configuration utility to verify the hardware settings. Refer to the *Configure the Hardware* section of Chapter 2, *Hardware Configuration and Installation*, for more information.
- The module might not be properly installed. Refer to the *Install the Hardware* section of Chapter 2, *Hardware Configuration and Installation*, for more information.

GPIB Cables Connected

The following error message appears if a GPIB cable is connected to the STD-GPIB when you run the Software Diagnostic Test:

```
Call(25) 'ibcmd " " failed, ibsta (0x134) not what was expected  
(0x8130)
```

```
Call(25) 'ibcmd " " failed, expected ibsta (0x100) to have the  
ERR bit set.
```

Disconnect all GPIB cables before trying the test again.

Common Questions

Which NI-488.2 software (DOS or Windows) do I need to install?

If you want to run a GPIB application under DOS, install the NI-488.2 software for DOS. If you want to run a GPIB application in Windows, you must install the NI-488.2 software for Windows.

Can I have the NI-488.2 for DOS and Windows drivers installed at the same time?

Yes, there is nothing wrong with installing both. However, it is better not to use them at the same time.

How can I determine which version of the NI-488.2 software I have installed?

Run the GPIB Information utility. If you run the GPIB Information utility without specifying any parameters, it returns information about the version of the NI-488.2 software currently installed. For more information, refer to the *NI-488.2 User Manual for Windows*.

What should I do if one of the diagnostic tests fails with an error?

Refer to the troubleshooting sections of this chapter for specific information about what might cause these tests to fail.

When should I use the Win16 Interactive Control utility?

You can use the Win16 Interactive Control utility to test and verify instrument communication, troubleshoot problems, and develop your application program. For more information, refer to Chapter 5, *Interactive Control Program*, in the *NI-488.2 User Manual for Windows*.

How do I use an NI-488.2 language interface?

For information about using NI-488.2 language interfaces, refer to Chapter 3, *Developing Your Application*, in the *NI-488.2 User Manual for Windows*.

What information should I have before I call National Instruments?

When you call National Instruments, you should have the results of the diagnostic tests and the output from the GPIB Information utility. Also, make sure you have filled out the configuration form in Appendix C, *Customer Communication*.

Chapter 5

Using Your NI-488.2 Software

This chapter introduces the Win16 Interactive Control utility and lists some programming considerations.

Introduction to the Win16 Interactive Control Utility

You can use the interactive control utility to enter NI-488 functions and NI-488.2 routines interactively and see the values returned by the function calls. Without writing an application, you can use the utility to do the following:

- Verify GPIB communication with your device quickly and easily.
- Learn the NI-488 functions and NI-488.2 routines before you write your application.
- Become familiar with the commands for your device.
- Receive data from your GPIB device.
- Troubleshoot problems with your application.

For more information about the Win16 Interactive Control utility, refer to the *NI-488.2 User Manual for Windows*.

General Programming Considerations

As you begin developing your NI-488.2 application, remember the following points:

- You must link the language interface library with your compiled source code.
- You must include the header file in your source code.

For information about choosing a programming method, developing your application, or compiling and linking, refer to the *NI-488.2 User Manual for Windows*. For detailed information about each NI-488 function and NI-488.2 routine, refer to the *NI-488.2 Function Reference Manual for DOS/Windows*. For additional release notes, refer to the readme file that came with your NI-488.2 software.

Appendix A

Hardware Specifications

This appendix describes the characteristics of the STD-GPIB and the recommended operating conditions.

Table A-1. Electrical Characteristics

Characteristic	Specification
Maximum GPIB Transfer Rate 3-Wire (IEEE 488) High Speed (HS488)	Over 1 Mbyte/s* Over 1 Mbyte/s*
Power Requirement (from STD I/O channel)	+5 VDC 175 mA Typical 275 mA Maximum
* Actual speed may vary considerably from speed shown because of system and instrumentation capabilities.	

Table A-2. Environmental Characteristics

Characteristic	Specification
Operating Environment Component Temperature Relative Humidity	0° to 55° C 10% to 90%, noncondensing
Storage Environment Temperature Relative Humidity	-20° to 70° C 5% to 90%, noncondensing
EMI	FCC Class A Verified

Table A-3. Physical Characteristics

Characteristic	Specification
Dimensions	16.51 by 11.43 cm (6.5 by 4.5 in.)
I/O Connector	5 in. ribbon cable terminated with panel-mount IEEE 488 Standard 24-pin


Appendix B

Interrupt Routing

This appendix contains useful information for you if you want to configure the interrupt lines for an STD/STD32 computer not manufactured by WinSystems or Ziatech, or a computer that is not AT-compatible.

The STD-GPIB can assert interrupts using one of 10 interrupt lines. These interrupt sources are available on either the frontplane or backplane, as described in the following sections.

Frontplane Interrupts



The five frontplane interrupts available through connector J3 are FP2, FP4, FP6, FP8, and FP10. They are active-low inputs in a Ziatech STD32 computer and active-high inputs in a WinSystems computer (non-STD32). The STD-GPIB automatically detects whether the host computer is an STD32 computer after it is installed, and configures its interrupt signals accordingly (active-low if the host computer is STD32, active-high otherwise). If you have an STD32 computer that uses active-high frontplane interrupt signals, or if you have a non-STD32 computer that uses active-low frontplane interrupt signals, you should not use any of the frontplane interrupts on the STD-GPIB.

The pin assignments for connector J3 are given in Table B-1.

Table B-1. J3 Frontplane Interrupt Connector Pinouts

Pin Number	Signal
1	GND
2	FP2
3	GND
4	FP4
5	GND
6	FP6
7	GND
8	FP8
9	GND
10	FP10

Backplane Interrupts

The five STD bus interrupts are INTRQ* (P44), INTRQ1* (P37), INTRQ2* (P50), INTRQ3* (E67), and INTRQ4* (P6). All five interrupts are supported in an STD32 backplane and all but INTRQ3* are supported in an STD-80 backplane. These interrupts are all active-low signals.

Setting Interrupts on the STD-GPIB

The interrupt routing for the STD-GPIB is shown in Table B-2.

Table B-2. STD-GPIB Interrupt Routing

Interrupt Source	Ziatech Interrupt	WinSystems Interrupt
INTRQ1* (P37)	-	IRQ5
INTRQ4* (P6)	IRQ5	-
INTRQ2* (P50)	IRQ6	IRQ9
INTRQ* (P44)	IRQ9	IRQ7
INTRQ3* (E67)	IRQ14	-
FP2	-	IRQ10
FP4	IRQ10	IRQ11
FP6	IRQ11	IRQ12
FP8	-	IRQ14
FP10	IRQ12	IRQ15

If you want to use a frontplane interrupt, refer to Table B-1, then Table B-2, to determine the correct jumper settings for the interrupt level you want to use. For example, if you want to configure the STD-GPIB to use IRQ10, and you find out that IRQ10 is connected to the frontplane interrupt connector pin 6 of your computer, then you would refer to Table B-1 for the associated signal, FP6. Table B-2 shows that for interrupt source FP6, you should install the jumper as you would for a WinSystems IRQ12 or Ziatech IRQ11.

If you want to use a backplane interrupt, refer to Table B-2 for the correct jumper settings. For example, if you are configuring the STD-GPIB to use IRQ9 on the INTRQ* line in your computer, you should install the jumper as you would for a WinSystems IRQ7 or Ziatech IRQ9.

Appendix C

Customer Communication

For your convenience, this section contains forms to help you gather the information necessary to help us solve technical problems you might have as well as a form you can use to comment on the product documentation. Filling out a copy of the *Technical Support Form* before contacting National Instruments helps us help you better and faster.

National Instruments provides comprehensive technical assistance around the world. In the U.S. and Canada, applications engineers are available Monday through Friday from 8:00 a.m. to 6:00 p.m. (central time). In other countries, contact the nearest branch office. You may fax questions to us at any time.

Corporate Headquarters

(512) 795-8248

Technical support fax: (800) 328-2203
(512) 794-5678

Branch Offices	Phone Number	Fax Number
Australia	03 9 879 9422	03 9 879 9179
Austria	0662 45 79 90 0	0662 45 79 90 19
Belgium	02 757 00 20	02 757 03 11
Canada (Ontario)	519 622 9310	519 622 9311
Canada (Quebec)	514 694 8521	514 694 4399
Denmark	45 76 26 00	45 76 71 11
Finland	90 527 2321	90 502 2930
France	1 48 14 24 24	1 48 14 24 14
Germany	089 741 31 30	089 714 60 35
Hong Kong	2645 3186	2686 8505
Italy	02 48301892	02 48301915
Japan	03 5472 2970	03 5472 2977
Korea	02 596 7456	02 596 7455
Mexico	95 800 010 0793	5 520 3282
Netherlands	0348 433466	0348 430673
Norway	32 84 84 00	32 84 86 00
Singapore	2265886	2265887
Spain	91 640 0085	91 640 0533
Sweden	08 730 49 70	08 730 43 70
Switzerland	056 200 51 51	056 200 51 55
Taiwan	02 377 1200	02 737 4644
U.K.	01635 523545	01635 523154

Technical Support Form

Photocopy this form and update it each time you make changes to your software or hardware, and use the completed copy of this form as a reference for your current configuration. Completing this form accurately before contacting National Instruments for technical support helps our applications engineers answer your questions more efficiently.

If you are using any National Instruments hardware or software products related to this problem, include the configuration forms from their user manuals. Include additional pages if necessary.

Name _____

Company _____

Address _____

Fax (____) _____ Phone (____) _____

Computer brand _____

Model _____ Processor _____

Operating system _____

Speed _____MHz RAM _____MB

Display adapter _____

Mouse _____yes _____no

Other adapters installed _____

Hard disk capacity _____MB Brand _____

Instruments used _____

National Instruments hardware product model _____

Revision _____

Configuration _____

National Instruments software product _____

Version _____

Configuration _____

(continues)

The problem is _____

List any error messages _____

The following steps will reproduce the problem _____

STD-GPIB Hardware and Software Configuration Form

Record the settings and revisions of your hardware and software on the line to the right of each item. Update this form each time you revise your software or hardware configuration, and use this form as a reference for your current configuration.

National Instruments Products

- STD-GPIB Model (16-bit or 8-bit) _____
- STD-GPIB Revision _____
- NI-488.2 Software Revision Number on Distribution Disk _____
- Programming Language Interface Revision _____
- Shield Ground Connected to Logic Ground (yes or no) _____
- Board Settings

	Base I/O Address	Interrupt Level	DMA Channel
gpib0	_____	_____	_____
gpib1	_____	_____	_____
gpib2	_____	_____	_____
gpib3	_____	_____	_____

Other Products

- Computer Make and Model _____
- Microprocessor _____
- Clock Frequency _____
- Type of Video Module Installed _____
- 8-bit or 16-bit Stack _____
- Windows Version _____

- Application Programming Language (Microsoft C, Visual Basic for Windows)_____
- Other Modules in System _____
- Base I/O Addresses of Other Modules _____
- Interrupt Levels of Other Modules _____
- DMA Channels of Other Modules _____

Glossary

Prefix	Meaning	Value
m-	milli-	10^{-3}
c-	centi-	10^{-2}
k-	kilo-	10^3
M-	mega-	10^6

°	degrees
%	percent
A	amperes
ANSI	American National Standards Institute
ASIC	application-specific integrated circuit
C	Celsius
CPU	central processing unit
DMA	direct memory access
EISA	Extended Industry Standard Architecture
FCC	Federal Communications Commission
GPIB	General Purpose Interface Bus
hex	hexadecimal
Hz	hertz
IEEE	Institute of Electrical and Electronic Engineers
in.	inches
I/O	input/output
IRQ	interrupt request
ISA	Industry Standard Architecture
m	meters
MB	megabytes of memory
PC	personal computer
RAM	random-access memory
s	seconds
VDC	volts direct current

Free Manuals Download Website

<http://myh66.com>

<http://usermanuals.us>

<http://www.somanuals.com>

<http://www.4manuals.cc>

<http://www.manual-lib.com>

<http://www.404manual.com>

<http://www.luxmanual.com>

<http://aubethermostatmanual.com>

Golf course search by state

<http://golfingnear.com>

Email search by domain

<http://emailbydomain.com>

Auto manuals search

<http://auto.somanuals.com>

TV manuals search

<http://tv.somanuals.com>