

# PXI™

---

## PXI-1006 User Manual



February 2001 Edition  
Part Number 323006A-01

## **Worldwide Technical Support and Product Information**

ni.com

### **National Instruments Corporate Headquarters**

11500 North Mopac Expressway Austin, Texas 78759-3504 USA Tel: 512 794 0100

### **Worldwide Offices**

Australia 03 9879 5166, Austria 0662 45 79 90 0, Belgium 02 757 00 20, Brazil 011 284 5011,  
Canada (Calgary) 403 274 9391, Canada (Ottawa) 613 233 5949, Canada (Québec) 514 694 8521,  
China (Shanghai) 021 6555 7838, China (ShenZhen) 0755 3904939, Denmark 45 76 26 00,  
Finland 09 725 725 11, France 01 48 14 24 24, Germany 089 741 31 30, Greece 30 1 42 96 427,  
Hong Kong 2645 3186, India 91805275406, Israel 03 6120092, Italy 02 413091, Japan 03 5472 2970,  
Korea 02 596 7456, Mexico 5 280 7625, Netherlands 0348 433466, New Zealand 09 914 0488,  
Norway 32 27 73 00, Poland 0 22 528 94 06, Portugal 351 1 726 9011, Singapore 2265886, Spain 91 640 0085,  
Sweden 08 587 895 00, Switzerland 056 200 51 51, Taiwan 02 2528 7227, United Kingdom 01635 523545

For further support information, see the *Technical Support Resources* appendix. To comment on the documentation, send e-mail to [techpubs@ni.com](mailto:techpubs@ni.com)

© Copyright 2001 National Instruments Corporation. All rights reserved.

# Important Information

---

## Warranty

The PXI-1006 is warranted against defects in materials and workmanship for a period of one year from the date of shipment, as evidenced by receipts or other documentation. National Instruments will, at its option, repair or replace equipment that proves to be defective during the warranty period. This warranty includes parts and labor.

The media on which you receive National Instruments software are warranted not to fail to execute programming instructions, due to defects in materials and workmanship, for a period of 90 days from date of shipment, as evidenced by receipts or other documentation. National Instruments will, at its option, repair or replace software media that do not execute programming instructions if National Instruments receives notice of such defects during the warranty period. National Instruments does not warrant that the operation of the software shall be uninterrupted or error free.

A Return Material Authorization (RMA) number must be obtained from the factory and clearly marked on the outside of the package before any equipment will be accepted for warranty work. National Instruments will pay the shipping costs of returning to the owner parts which are covered by warranty.

National Instruments believes that the information in this document is accurate. The document has been carefully reviewed for technical accuracy. In the event that technical or typographical errors exist, National Instruments reserves the right to make changes to subsequent editions of this document without prior notice to holders of this edition. The reader should consult National Instruments if errors are suspected. In no event shall National Instruments be liable for any damages arising out of or related to this document or the information contained in it.

EXCEPT AS SPECIFIED HEREIN, NATIONAL INSTRUMENTS MAKES NO WARRANTIES, EXPRESS OR IMPLIED, AND SPECIFICALLY DISCLAIMS ANY WARRANTY OF MERCHANTABILITY OR FITNESS FOR A PARTICULAR PURPOSE. CUSTOMER'S RIGHT TO RECOVER DAMAGES CAUSED BY FAULT OR NEGLIGENCE ON THE PART OF NATIONAL INSTRUMENTS SHALL BE LIMITED TO THE AMOUNT THEREOF PAID BY THE CUSTOMER. NATIONAL INSTRUMENTS WILL NOT BE LIABLE FOR DAMAGES RESULTING FROM LOSS OF DATA, PROFITS, USE OF PRODUCTS, OR INCIDENTAL OR CONSEQUENTIAL DAMAGES, EVEN IF ADVISED OF THE POSSIBILITY THEREOF. This limitation of the liability of National Instruments will apply regardless of the form of action, whether in contract or tort, including negligence. Any action against National Instruments must be brought within one year after the cause of action accrues. National Instruments shall not be liable for any delay in performance due to causes beyond its reasonable control. The warranty provided herein does not cover damages, defects, malfunctions, or service failures caused by owner's failure to follow the National Instruments installation, operation, or maintenance instructions; owner's modification of the product; owner's abuse, misuse, or negligent acts; and power failure or surges, fire, flood, accident, actions of third parties, or other events outside reasonable control.

## Copyright

Under the copyright laws, this publication may not be reproduced or transmitted in any form, electronic or mechanical, including photocopying, recording, storing in an information retrieval system, or translating, in whole or in part, without the prior written consent of National Instruments Corporation.

## Trademarks

National Instruments™, ni.com™, and PXI™ are trademarks of National Instruments Corporation.

Product and company names mentioned herein are trademarks or trade names of their respective companies.

## WARNING REGARDING USE OF NATIONAL INSTRUMENTS PRODUCTS

(1) NATIONAL INSTRUMENTS PRODUCTS ARE NOT DESIGNED WITH COMPONENTS AND TESTING FOR A LEVEL OF RELIABILITY SUITABLE FOR USE IN OR IN CONNECTION WITH SURGICAL IMPLANTS OR AS CRITICAL COMPONENTS IN ANY LIFE SUPPORT SYSTEMS WHOSE FAILURE TO PERFORM CAN REASONABLY BE EXPECTED TO CAUSE SIGNIFICANT INJURY TO A HUMAN.

(2) IN ANY APPLICATION, INCLUDING THE ABOVE, RELIABILITY OF OPERATION OF THE SOFTWARE PRODUCTS CAN BE IMPAIRED BY ADVERSE FACTORS, INCLUDING BUT NOT LIMITED TO FLUCTUATIONS IN ELECTRICAL POWER SUPPLY, COMPUTER HARDWARE MALFUNCTIONS, COMPUTER OPERATING SYSTEM SOFTWARE FITNESS, FITNESS OF COMPILERS AND DEVELOPMENT SOFTWARE USED TO DEVELOP AN APPLICATION, INSTALLATION ERRORS, SOFTWARE AND HARDWARE COMPATIBILITY PROBLEMS, MALFUNCTIONS OR FAILURES OF ELECTRONIC MONITORING OR CONTROL DEVICES, TRANSIENT FAILURES OF ELECTRONIC SYSTEMS (HARDWARE AND/OR SOFTWARE), UNANTICIPATED USES OR MISUSES, OR ERRORS ON THE PART OF THE USER OR APPLICATIONS DESIGNER (ADVERSE FACTORS SUCH AS THESE ARE HEREAFTER COLLECTIVELY TERMED "SYSTEM FAILURES"). ANY APPLICATION WHERE A SYSTEM FAILURE WOULD CREATE A RISK OF HARM TO PROPERTY OR PERSONS (INCLUDING THE RISK OF BODILY INJURY AND DEATH) SHOULD NOT BE RELIANT SOLELY UPON ONE FORM OF ELECTRONIC SYSTEM DUE TO THE RISK OF SYSTEM FAILURE. TO AVOID DAMAGE, INJURY, OR DEATH, THE USER OR APPLICATION DESIGNER MUST TAKE REASONABLY PRUDENT STEPS TO PROTECT AGAINST SYSTEM FAILURES, INCLUDING BUT NOT LIMITED TO BACK-UP OR SHUT DOWN MECHANISMS. BECAUSE EACH END-USER SYSTEM IS CUSTOMIZED AND DIFFERS FROM NATIONAL INSTRUMENTS' TESTING PLATFORMS AND BECAUSE A USER OR APPLICATION DESIGNER MAY USE NATIONAL INSTRUMENTS PRODUCTS IN COMBINATION WITH OTHER PRODUCTS IN A MANNER NOT EVALUATED OR CONTEMPLATED BY NATIONAL INSTRUMENTS, THE USER OR APPLICATION DESIGNER IS ULTIMATELY RESPONSIBLE FOR VERIFYING AND VALIDATING THE SUITABILITY OF NATIONAL INSTRUMENTS PRODUCTS WHENEVER NATIONAL INSTRUMENTS PRODUCTS ARE INCORPORATED IN A SYSTEM OR APPLICATION, INCLUDING, WITHOUT LIMITATION, THE APPROPRIATE DESIGN, PROCESS AND SAFETY LEVEL OF SUCH SYSTEM OR APPLICATION.

# Compliance

---

## FCC/Canada Radio Frequency Interference Compliance\*

### Determining FCC Class

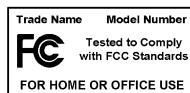
The Federal Communications Commission (FCC) has rules to protect wireless communications from interference. The FCC places digital electronics into two classes. These classes are known as Class A (for use in industrial-commercial locations only) or Class B (for use in residential or commercial locations). Depending on where it is operated, this product could be subject to restrictions in the FCC rules. (In Canada, the Department of Communications (DOC), of Industry Canada, regulates wireless interference in much the same way.)

Digital electronics emit weak signals during normal operation that can affect radio, television, or other wireless products. By examining the product you purchased, you can determine the FCC Class and therefore which of the two FCC/DOC Warnings apply in the following sections. (Some products may not be labeled at all for FCC; if so, the reader should then assume these are Class A devices.)

FCC Class A products only display a simple warning statement of one paragraph in length regarding interference and undesired operation. Most of our products are FCC Class A. The FCC rules have restrictions regarding the locations where FCC Class A products can be operated.

FCC Class B products display either a FCC ID code, starting with the letters EXN, or the FCC Class B compliance mark that appears as shown here on the right.

Consult the FCC web site <http://www.fcc.gov> for more information.



### FCC/DOC Warnings

This equipment generates and uses radio frequency energy and, if not installed and used in strict accordance with the instructions in this manual and the CE Mark Declaration of Conformity\*\*, may cause interference to radio and television reception. Classification requirements are the same for the Federal Communications Commission (FCC) and the Canadian Department of Communications (DOC).

Changes or modifications not expressly approved by National Instruments could void the user's authority to operate the equipment under the FCC Rules.

### Class A

#### Federal Communications Commission

This equipment has been tested and found to comply with the limits for a Class A digital device, pursuant to part 15 of the FCC Rules. These limits are designed to provide reasonable protection against harmful interference when the equipment is operated in a commercial environment. This equipment generates, uses, and can radiate radio frequency energy and, if not installed and used in accordance with the instruction manual, may cause harmful interference to radio communications. Operation of this equipment in a residential area is likely to cause harmful interference in which case the user will be required to correct the interference at his own expense.

#### Canadian Department of Communications

This Class A digital apparatus meets all requirements of the Canadian Interference-Causing Equipment Regulations.

Cet appareil numérique de la classe A respecte toutes les exigences du Règlement sur le matériel brouilleur du Canada.

### Class B

#### Federal Communications Commission

This equipment has been tested and found to comply with the limits for a Class B digital device, pursuant to part 15 of the FCC Rules. These limits are designed to provide reasonable protection against harmful interference in a residential installation. This equipment generates, uses and can radiate radio frequency energy and, if not installed and used in accordance with the instructions, may cause harmful interference to radio communications. However, there is no guarantee that interference will not occur in a particular installation. If this equipment does cause harmful interference to radio or television reception, which can be determined by turning the equipment off and on, the user is encouraged to try to correct the interference by one or more of the following measures:

- Reorient or relocate the receiving antenna.
- Increase the separation between the equipment and receiver.
- Connect the equipment into an outlet on a circuit different from that to which the receiver is connected.
- Consult the dealer or an experienced radio/TV technician for help.

## Canadian Department of Communications

This Class B digital apparatus meets all requirements of the Canadian Interference-Causing Equipment Regulations.

Cet appareil numérique de la classe B respecte toutes les exigences du Règlement sur le matériel brouilleur du Canada.

## European Union - Compliance to EEC Directives

Readers in the EU/EEC/EEA must refer to the Manufacturer's Declaration of Conformity (DoC) for information\*\* pertaining to the CE Mark compliance scheme. The Manufacturer includes a DoC for most every hardware product except for those bought for OEMs, if also available from an original manufacturer that also markets in the EU, or where compliance is not required as for electrically benign apparatus or cables.

\* Certain exemptions may apply in the USA, see FCC Rules §15.103 **Exempted devices**, and §15.105(c). Also available in sections of CFR 47.

\*\* The CE Mark Declaration of Conformity will contain important supplementary information and instructions for the user or installer.

# Contents

---

## About This Manual

Conventions Used in This Manual.....	ix
Related Documentation.....	ix

## For Your Safety

Connecting Safety Ground.....	xi
-------------------------------	----

## Chapter 1

### Installing and Verifying Operation

Unpacking the PXI-1006 and Installing a Controller .....	1-1
--	-----

## Chapter 2

### PXI-1006 Features

Key Features .....	2-1
PXI-1006 Backplane Overview .....	2-2
Interoperability with CompactPCI .....	2-2
System Controller Slot .....	2-4
Star Trigger Slot .....	2-4
Peripheral Slots.....	2-4
Local Bus.....	2-4
Trigger Bus.....	2-6
System Reference Clock.....	2-6
Rack Mounting .....	2-6
Remote Power Monitoring and Inhibiting Interface .....	2-7
Using the Inhibiting Feature .....	2-7
Using the Power Monitoring Feature .....	2-8
Installing Filler Panels .....	2-9
Using the Chassis Initialization File .....	2-9
Cleaning .....	2-9
Interior Cleaning.....	2-9
Exterior Cleaning.....	2-9
Cleaning the Fan Filters.....	2-10

## Chapter 3

### Troubleshooting

Troubleshooting the PXI-1006 .....	3-1
Resetting the AC Mains Circuit Breaker .....	3-1

## Appendix A Specifications

## Appendix B Pinouts

## Appendix C Technical Support Resources

## Glossary

## Index

## Figures

Figure 1-1.	Installing Controller and PXI Modules.....	1-2
Figure 2-1.	Front View of the PXI-1006 Chassis .....	2-3
Figure 2-2.	Rear View of the PXI-1006 Chassis .....	2-3
Figure 2-3.	PXI Local Bus and Star Trigger Routing.....	2-5
Figure A-1.	PXI-1006 Dimensions.....	A-6

## Tables

Table 2-1.	DB-9 Connector Pinout .....	2-7
Table 2-2.	Power Supply Voltages at Power Monitoring Connector (DB-9) .....	2-8
Table 3-1.	Troubleshooting .....	3-1
Table B-1.	P1 (J1) Connector Pinout for the System Controller Slot.....	B-2
Table B-2.	P2 (J2) Connector Pinout for the System Controller Slot.....	B-3
Table B-3.	P1 (J1) Connector Pinout for the Star Trigger Slot.....	B-4
Table B-4.	P2 (J2) Connector Pinout for the Star Trigger Slot.....	B-5
Table B-5.	P1 (J1) Connector Pinout for the Peripheral Slot.....	B-6
Table B-6.	P2 (J2) Connector Pinout for the Peripheral Slot.....	B-7

# About This Manual

---

The *PXI-1006 User Manual* describes the features of the PXI-1006 chassis and contains information about configuring the chassis, installing the modules, and operating and using the PXI-1006.

## Conventions Used in This Manual

---



The following conventions appear in this manual:

This icon denotes a note, which alerts you to important information.



This icon denotes a caution, which advises you of precautions to take to avoid injury, data loss, or a system crash.



This icon denotes a warning, which advises you of precautions to take to avoid being electrically shocked.

**bold**

Bold text denotes items that you must select or click on in the software, such as menu items and dialog box options. Bold text also denotes parameter names.

*italic*

Italic text denotes variables, emphasis, a cross reference, or an introduction to a key concept. This font also denotes text that is a placeholder for a word or value that you must supply.

monospace

Text in this font denotes text or characters that you should enter from the keyboard, sections of code, programming examples, and syntax examples. This font is also used for the proper names of disk drives, paths, directories, programs, subprograms, subroutines, device names, functions, operations, variables, filenames and extensions, and code excerpts.

## Related Documentation

---

The following documents contain information that you may find helpful as you read this manual:

- *Compact PCI Specification PICMG 2.0 R3.0*
- *PXI Specification Revision 2.0*
- *IEEE 1101.1-1991, IEEE Standard for Mechanical Core Specifications for Microcomputers Using IEC 603-2 Connectors*



- *IEEE 1101.10 and P1101.11, IEEE Standard for Additional Mechanical Specifications for Microcomputers Using IEEE 1101.1 Equipment Practice*

# For Your Safety

---



**Caution** Before undertaking any troubleshooting, maintenance, or exploratory procedure, carefully read the warning and caution notices.

This equipment contains voltage hazardous to human life and safety, and can inflict personal injury.

- **Chassis Grounding**—The PXI-1006 requires a connection from the premise wire safety ground to the PXI-1006 chassis ground. The earth safety ground must be connected during use of this equipment to minimize shock hazards. See the *Connecting Safety Ground* section below.
- **Live Circuits**—Operating personnel and service personnel must not remove protective covers when operating or servicing the PXI-1006.
- **Explosive Atmosphere**—Do *not* operate the chassis in conditions where flammable gases are present. Under such conditions this equipment is unsafe and may ignite the gases or gas fumes.
- **Modification**—Do *not* modify any part of the chassis from its original condition. Unsuitable modifications may result in safety hazards.

## Connecting Safety Ground

---



**Warning** The PXI-1006 chassis is designed with a three-position NEMA 15-5 style plug that connects the ground line to the chassis ground. To minimize shock hazard, make sure your electrical power outlet has an appropriate earth safety ground that is connected whenever you power up the chassis.

If your power outlet does *not* have an appropriate ground connection, you must connect the premise wire safety ground to the chassis grounding screw located on the rear panel. To connect the safety ground, complete the following steps:

1. Connect a 16 AWG (1.3 mm) wire to the chassis grounding screw on the rear of the chassis using a toothed grounding lug. The wire must have green insulation with a yellow stripe or must be noninsulated (bare).
2. Attach the opposite end of the wire to permanent earth ground using toothed washers or a toothed lug.

---

# Installing and Verifying Operation

This chapter describes how to unpack the PXI-1006, install a controller, and verify that the chassis is operating correctly.

## Unpacking the PXI-1006 and Installing a Controller

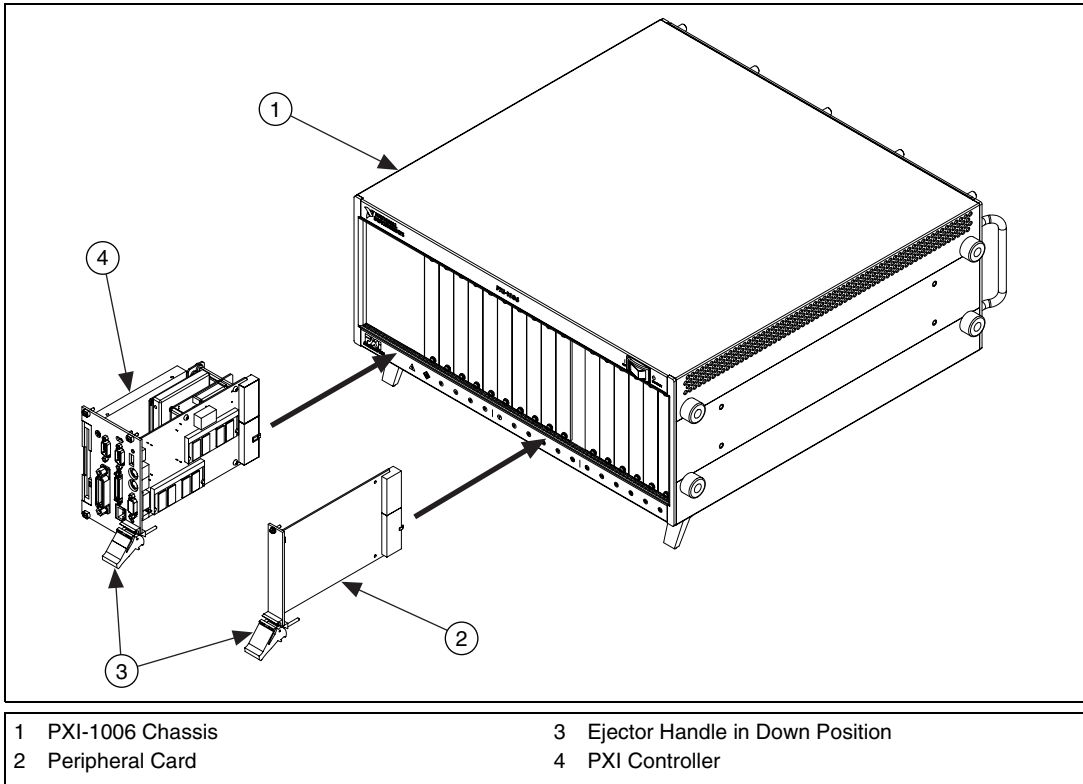
---

This installation example assumes you are using an embedded PXI controller.

1. Unpack your PXI-1006 chassis.
2. Make sure the power switch is in the **Standby** (Off) position.
3. Plug in the AC power cord.

Power cords are available from National Instruments, or use a power cord that meets the requirements of ANSI/UL817 for use in the United States, CSA C22.2 21 and 49 for use in Canada, and IEC 227 or 245 for use in the European Union. AC mains power supply cords used with the PXI-1006 in other countries must be approved by the authority having jurisdiction in that country.

4. Install your controller in Slot 1 of your PXI-1006. Install peripheral cards, if any, in slots 2 through 18.



**Figure 1-1.** Installing Controller and PXI Modules

5. Set the fan speed selector switch (located on the rear of the chassis) to either HI for maximum cooling or AUTO to employ the temperature sensing module that controls the fan speed.
6. Power on the chassis. Verify that all fans become operational.
7. Verify that your controller boots the operating system.



**Note** If the chassis does not power on, see Chapter 3, [Troubleshooting](#).

---

# PXI-1006 Features

This chapter describes the key features of the PXI-1006 chassis and lists optional equipment you can order from National Instruments.

## Key Features

---

The PXI-1006 combines a high-performance 18-slot PXI backplane with a high-output power supply and a structural design that has been optimized for maximum usability in a wide range of applications. The chassis' modular design ensures the highest level of maintainability resulting in a very low mean time to repair (MTTR). The PXI-1006 fully complies with the PXI Specification, Revision 2.0, offering advanced timing and synchronization features.

The key features of the PXI-1006 include:

- PXI and CompactPCI (PICMG 2.0 R 3.0) module compatibility
- 3U-sized, 18-slot chassis
- 600 W of usable power
- Universal AC input: auto-voltage and auto-frequency ranging
- Over-current protection via push-reset circuit breaker (no loose fuses to replace)
- Removable modular power supply
- Remote power status and inhibit via a rear panel connector
- On/Off (Standby) switch located on the front panel for easy access
- Selectable fan speed for maximum cooling or quiet operation
- Carrying handle for portability
- Tilt feet for bench-top applications
- Rack mount compatibility

# PXI-1006 Backplane Overview

---

## Interoperability with CompactPCI

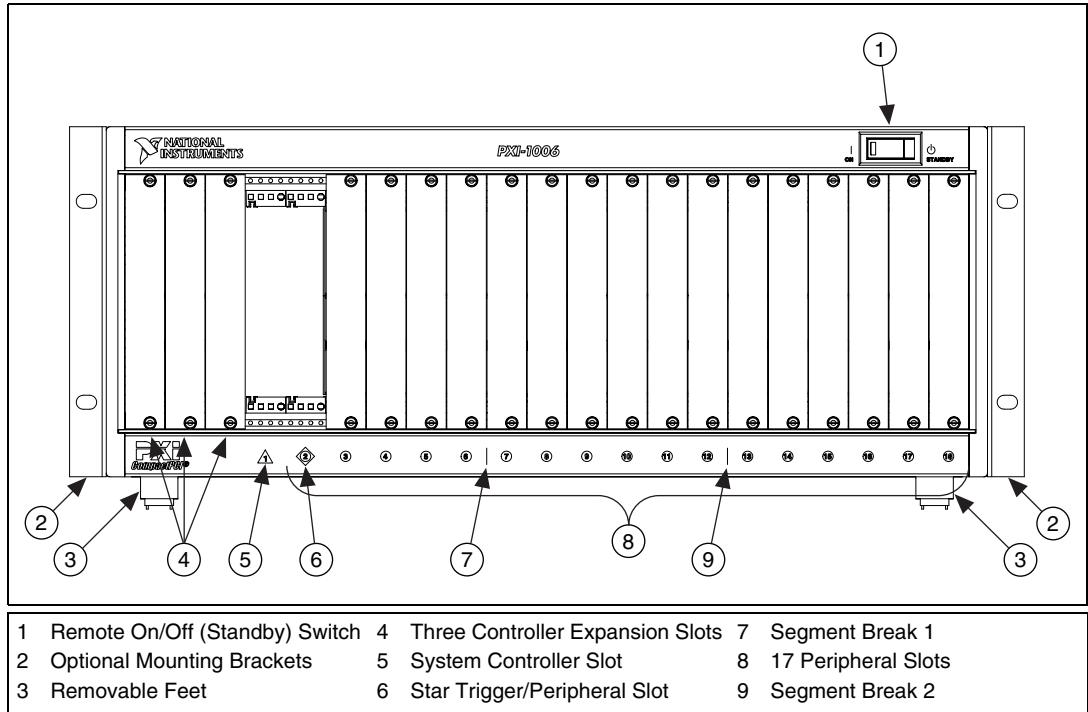
The PXI-1006 backplane is interoperable with PXI-compatible products and standard CompactPCI products. This is an important feature, as many PXI-compatible systems may require components that do not implement PXI-specific features. For example, you may want to use a standard CompactPCI network interface card in a PXI chassis.

The signals on the P1 connector of the backplane meet the requirements of the CompactPCI specification for both the peripheral and system modules.

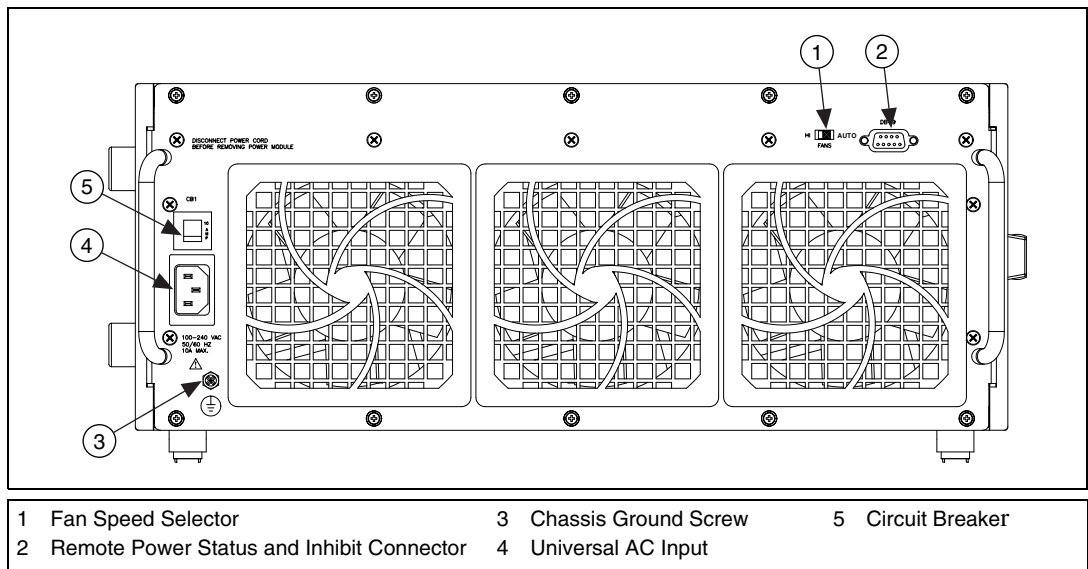
The PXI-specific signals are located on P2 and are found on only the signals that are reserved or not used in the CompactPCI 64-bit specification. Therefore, all modules that meet the requirements of the CompactPCI 64-bit specification will function in the PXI-1006.

The PXI-1006 has three PCI bus segments linked via two 64-bit PCI-to-PCI bridges. The PCI bus segment divisions are represented on the front of the chassis by vertical bars. See Figure 2-1 for the PCI segment divider locations.

Figures 2-1 and 2-2 show some of the key features and components of the PXI-1006 chassis. Figure 2-1 shows the front view of the PXI-1006. Figure 2-2 shows the rear view.



**Figure 2-1.** Front View of the PXI-1006 Chassis



**Figure 2-2.** Rear View of the PXI-1006 Chassis

## System Controller Slot

The System Controller slot is Slot 1 of the chassis as defined by the PXI specification. It has three controller expansion slots, which are used for system controller modules that are wider than one slot. As defined in the PXI specification, these slots allow the controller to expand to the left to prevent the controller from using up peripheral slots.

## Star Trigger Slot

The Star Trigger (ST) slot is Slot 2. This slot has a dedicated trigger line between itself and slots 3-15. Slots 16-18 do not use the Star Trigger functionality because there are 13 Star Trigger lines, as specified in the PXI specification (see Figure 2-3). This slot is intended for modules with ST functionality that can provide individual triggers to the peripherals installed in slots 3-15. However, if you do not require advanced trigger functionality, you can install any standard peripheral module into this slot.

## Peripheral Slots

There are 17 peripheral slots including the Star Trigger controller slot.

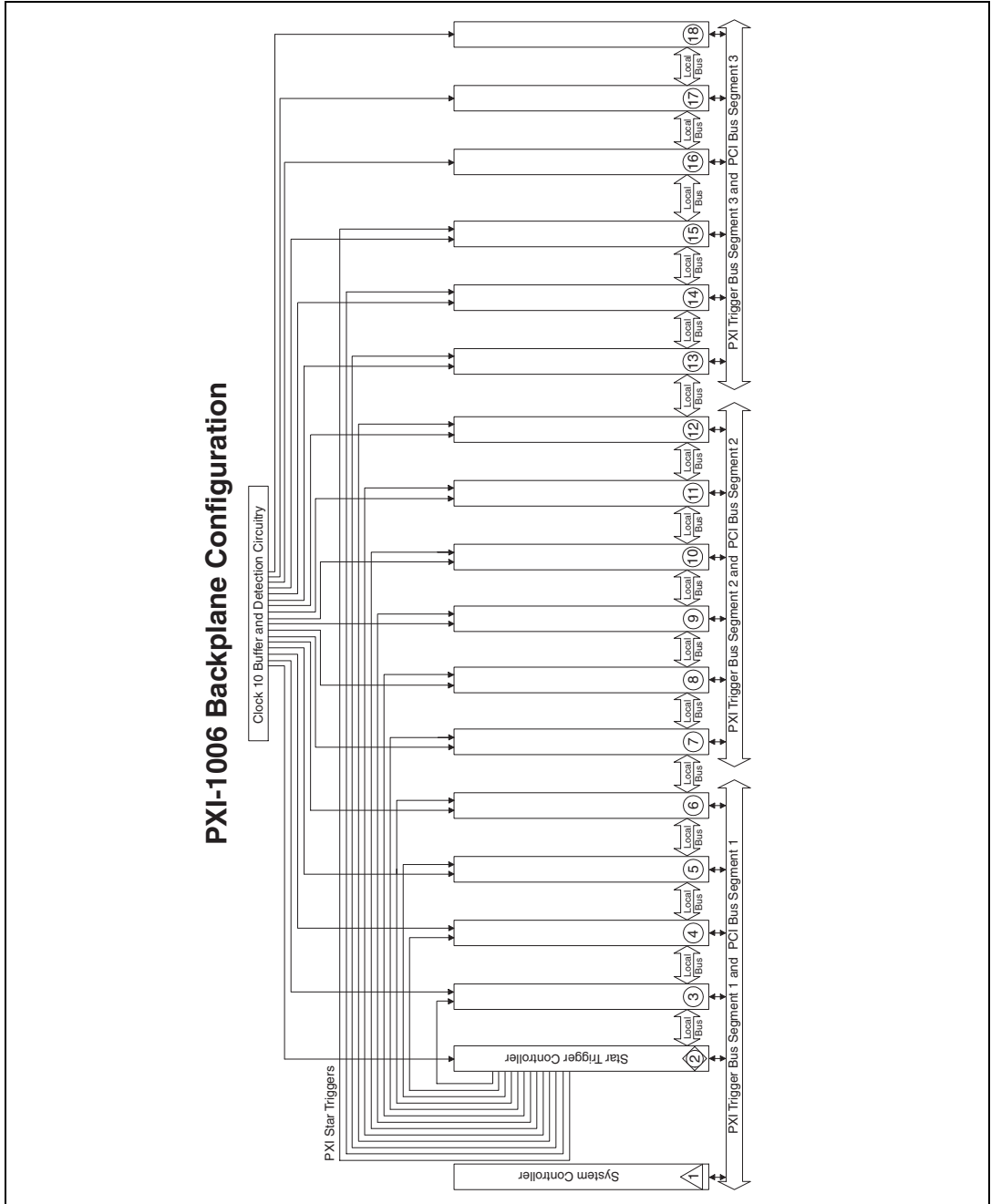
## Local Bus

The PXI backplane's local bus is a daisy-chained bus that connects each peripheral slot with its adjacent peripheral slots to the left and right, as shown in Figure 2-3.

For example, a given peripheral slot's right local bus connects to the adjacent slot's left local bus, and so on. Each local bus is 13 lines wide and can pass analog signals between cards or provide a high-speed side-band communication path that does not affect the PXI bandwidth.

The PXI-1006 has local bus connections between all slots except slots 1 and 2, in accordance with the PXI specification. See Figure 2-3 for details.





**Figure 2-3.** PXI Local Bus and Star Trigger Routing

## Trigger Bus

The PXI-1006 has three PXI segments. Vertical bars represent the segment divisions on the front of the chassis. (See Figure 2-1 for the segment divider locations.) The PXI trigger bus is divided into three separate trigger buses at these locations. You can use the trigger lines in a variety of ways. For example, you can use triggers to synchronize the operation of several different PXI peripheral modules. In other applications, one module can control carefully timed sequences of operations performed on other modules in the system. Modules can pass triggers to one another, allowing precisely timed responses to asynchronous external events the system is monitoring or controlling.

## System Reference Clock

The PXI-1006 supplies the PXI 10 MHz system clock signal (PXI\_CLK10) independently to every peripheral slot. An independent buffer (having a source impedance matched to the backplane and a skew of less than 1 ns between slots) drives the clock signal to each peripheral slot. You can use this common reference clock signal to synchronize multiple modules in a measurement or control system. You can drive PXI\_CLK10 from an external source through the PXI\_CLK10\_IN pin on the P2 connector of the star trigger slot. (See Table B-1, *P1 (J1) Connector Pinout for the System Controller Slot*.) Sourcing an external clock on this pin automatically disables the backplane's 10 MHz source.

## Rack Mounting

---

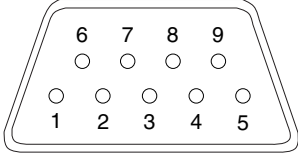
Rack-mount applications require the optional rack-mount kit available from National Instruments. Refer to the instructions supplied with the rack-mount kit to install your PXI-1006 in a standard 19 in. instrument rack.

# Remote Power Monitoring and Inhibiting Interface

The PXI-1006 chassis supports remote power monitoring and inhibiting via a 9-pin D-sub connector located on the rear panel. Table 2-1 shows the pinout of the DB-9 connector.

**Table 2-1.** DB-9 Connector Pinout

DB-9 Pin	Signal
1	Logic Ground
2	+5 V
3	Reserved
4	+3.3 V
5	Inhibit*
6	+12 V
7	Reserved
8	-12 V
9	Logic Ground

## Using the Inhibiting Feature

You can use the Inhibit signal (active low) to turn off the power supply outputs. To use this feature, connect the Inhibit pin (pin 5) to a Logic Ground pin (pin 1 or 9). Make sure the front (standby) switch is in the ON position. As long as the connection is made, the power supply inhibits its DC outputs. DC output resumes when Inhibit is no longer connected. Note that the power (standby) switch, located on the front of the chassis, uses this inhibiting feature. For remote reset, connect a momentary switch between pin 5 and pin 1 (or pin 9).

## Using the Power Monitoring Feature

You can use a digital voltmeter to ensure all voltage levels in your PXI-1006 are within the allowable limits.



**Caution** When connecting digital voltmeter probes to the rear D-sub connector, be careful not to short the probe leads together. Doing so could damage the power supply.

Referring to Table 2-2, connect one lead of the voltmeter to a supply pin on the remote power monitoring connector (9-pin D-sub) on the rear panel. Refer to Table 2-1 for a pinout diagram of the remote power monitoring connector. Connect the reference lead of the voltmeter to one of the ground pins. Compare each voltage reading to the values listed in Table 2-2.



**Note** Use the rear-panel D-sub connector to check voltages only. Do not use the connector to supply power to external devices.

**Table 2-2.** Power Supply Voltages at Power Monitoring Connector (DB-9)

Pin	Supply	Acceptable Voltage Range
2	+5 V	4.75 to 5.25 V
4	+3.3 V	3.135 to 3.465 V
6	+12 V	11.4 to 12.6 V
8	-12 V	-12.6 to -11.4 V
1, 9	Logic Ground	N/A

If the voltages fall within the specified ranges, the chassis complies with the CompactPCI voltage limit specifications. Notice that the rear-panel D-sub connector is to be used to check voltages only. Do not use these voltages to supply power to external devices.



**Note** If the fans or power unit fail to function properly, refer to Chapter 3, [Troubleshooting](#).

## Installing Filler Panels

---

To optimize module cooling performance, install filler panels into unused or empty slots. Secure with the captive mounting screws.

## Using the Chassis Initialization File

---

To assist system integrators, the PXI specification requires manufacturers of PXI chassis and system modules to document the capabilities of their products. The minimum documentation requirements are contained in .ini files, which consist of ASCII text. The system integrator can read the .ini file, and configuration utilities and device drivers can also use this file. The PXI-1006 chassis initialization file, `chassis.ini`, is included on the diskette for your PXI-1006.

## Cleaning

---

Cleaning procedures consist of exterior and interior cleaning of the chassis and cleaning the fan filters. Refer to your module user documentation for information on cleaning the individual CompactPCI or PXI modules.



**Caution** Always power-off the chassis and disconnect the power cord before cleaning or servicing the chassis.



**Mise en garde** Veillez à éteindre le châssis et déconnecter le cordon d'alimentation avant de nettoyer ou d'intervenir sur le châssis.

### Interior Cleaning

Use a dry, low-velocity stream of air to clean the interior of the chassis. Use a soft-bristle brush for cleaning around components. If you must use a liquid for minor interior cleaning, use a 75% isopropyl alcohol solution and rinse with deionized water.

### Exterior Cleaning

Clean the exterior surfaces of the chassis with a dry lint-free cloth or a soft-bristle brush. If any dirt remains, wipe with a cloth moistened in a mild soap solution. Remove any soap residue by wiping with a cloth moistened with clear water. Do not use abrasive compounds on any part of the chassis.



**Caution** Avoid getting moisture inside the chassis during exterior cleaning. Use just enough moisture to dampen the cloth. Do *not* wash the front- or rear-panel connectors or switches. Cover these components while cleaning the chassis. Do *not* use chemical cleaning agents; they may damage the chassis. Avoid chemicals that contain benzene, toluene, xylene, acetone, or similar solvents.

## Cleaning the Fan Filters

You can easily remove the chassis cooling filters from the rear of the chassis by removing the plastic housing attached to each fan.

Clean the fan filters by washing them in a mild soap solution and then vacuuming or blowing air through them. Rinse the filters with water and allow them to dry before reinstalling them on the chassis.

# Troubleshooting

This chapter describes basic troubleshooting procedures you can perform on the PXI-1006 chassis.

## Troubleshooting the PXI-1006

Refer to Table 3-1 to troubleshoot the PXI-1006 chassis. The table lists possible causes for power failure and recommends ways to correct the problem.

**Table 3-1.** Troubleshooting

Possible Cause	What to Do
PXI-1006 chassis is not connected to power source.	Make sure that the PXI-1006 is connected to a live electrical outlet. Try operating another piece of equipment from this outlet.
Power switch is not switched on.	Set the power switch to the On position.
Remote inhibiting input on the rear panel of the chassis is active.	Deactivate your system's remote inhibiting control.
Circuit breaker is tripped.	Reset the circuit breaker. Refer to the <i>Resetting the AC Mains Circuit Breaker</i> section in this chapter.
Power supply has failed.	Contact National Instruments.

## Resetting the AC Mains Circuit Breaker

If your PXI-1006 is connected to an AC source and encounters an over-current condition, the circuit breaker located on the rear panel will trip to prevent damage to the chassis. Complete the following steps to reset the circuit breaker:

1. Turn the power switch to the Standby position.
2. Disconnect the AC line cord.

3. Depress the circuit breaker to reset it.
4. Reconnect the AC line cord.
5. Turn the power switch to the On position.

If the circuit breaker trips again, complete the following steps:

1. Turn the front panel power switch to the Standby position.
2. Disconnect the chassis from the AC mains power source.
3. Remove all modules from the chassis.
4. Complete the test procedure described in the *Using the Power Monitoring Feature* section in Chapter 2, *PXI-1006 Features*.
5. If any voltages are outside the acceptable limits, contact National Instruments.
6. If all voltages are within the acceptable limits, verify that your PXI-1006 can meet the power requirements of your CompactPCI or PXI modules. Overloading the chassis can cause the breaker to trip. Refer to Appendix A, *Specifications*.
7. The over-current condition that caused the circuit breaker to trip may be due to a faulty CompactPCI or PXI module. Refer to the documentation supplied with the modules for troubleshooting your modules.



---

# Specifications

This appendix contains specifications for the PXI-1006 chassis.

## Electrical

### AC Input

Input voltage range.....	90–264 VAC
Input frequency range .....	47 to 63 Hz
Over-current protection .....	10 A circuit breaker
Maximum steady state operating current .....	10 A
Line regulation .....	$\pm 0.1\%$ over operating line range
Efficiency .....	70-80% typical
Power disconnect .....	The (standby) power switch causes the power module to supply DC power to the CompactPCI/PXI backplane. The rear-panel D-sub connector facilitates remote inhibiting operation. The (standby) switch must be in the On position prior to use of remote inhibit. The power cord provides main power disconnect.

## DC Output

Maximum usable power .....600 W

DC current capacity ( $I_{MP}$ )

Voltage	$I_{MP}$ (Steady-State Current)
+3.3 V	60 A
+5 V	60 A
+12 V	9 A
-12 V	1.8 A

Load regulation

Voltage	Regulation
+3.3 V	0.4% or 20 mV max
+12 V	0.4% or 20 mV max
+5 V	0.4% or 20 mV max
-12 V	0.4% or 20 mV max

Maximum ripple and noise .....1% ripple, 1% noise  
20 MHz bandwidth

Over-current protection.....105–140% of rated output  
current; automatic recovery

Over-voltage protection .....3.3 V, 5 V clamp at 122–134%  
of output voltage  
+12 V and -12 V clamp at  
110–120% of output voltage

Power supply/fan unit MTTR .....Replacement in under 5 minutes

## Cooling

Module cooling system.....Forced air circulation  
(positive pressurization) via  
three 140 cfm fans with  
HI/AUTO speed selector

Slot airflow direction.....	P1 to P2, bottom of module to top of module
Module/power supply cooling intake.....	Three rear fans
Module cooling exhaust.....	Along both sides and top of chassis
Power supply cooling system.....	Forced air circulation via integrated fan
Power supply cooling exhaust.....	Along upper left side
Power supply/fan unit .....	Replacement in under 5 minutes

## Electromagnetic Compatibility

EMC/EMI.....	CE, C-Tick and FCC Part 15 (Class A) compliant
Electrical emissions.....	EN 55011 Class A @ 10 m. FCC Part 15A above 1 GHz
Electrical immunity.....	Evaluated to EN 61326:1998, Table 1



**Note** This device should be operated only with shielded cabling for full EMC and EMI compliance. See the Declaration of Conformity for this product for any additional regulatory compliance information.

## Safety

Designed in accordance with IEC 61010-1, EN 61010-1, UL 3111-1, and CAN/CSA C22.2 No. 1010.1 for electrical measuring and test equipment  
Installation Category II  
Pollution Degree 2

## Environmental

Operating temperature.....	0 to 50 °C
Storage temperature .....	-20 to 70 °C
Operating relative humidity .....	Maximum 80% for temperatures up to 31 °C, decreasing linearly to 50% at 40 °C

Functional shock (operating) .....	MIL-T-28800E CLASS 3, Half-Sine Shock Pulse, 11 ms duration, 30 g peak
Operating location .....	Indoor use only
Random vibration	
Operational <sup>1</sup> .....	5 to 500 Hz, 0.31 g <sub>RMS</sub>
Non-operational <sup>1</sup> .....	10 to 500 Hz, 2.46 g <sub>RMS</sub>
EMC emissions .....	FCC Class A compliant and EN 55011 Group 1 Class A Compliant
EMC immunity .....	Refer to DOC supplied with chassis for compliance to relevant directives.
Altitude .....	2 km (1.24 mi) max

## Backplane

Size .....	3U-sized; one system slot (with three system expansion slots) and 17 peripheral slots. Compliant with IEEE 1101.10 mechanical packaging. PXI Specification Revision 2.0 compliant. Accepts both PXI and CompactPCI (PICMG 2.0 R3.0) 3U modules.
Backplane bare-board material .....	UL 94 V-0 recognized
Backplane connectors .....	Conform to IEC 917 and IEC 1076-4-101, and are UL 94 V-0 rated

---

<sup>1</sup> Random vibration profiles were developed in accordance with MIL-T-28800E CLASS 3 and MIL-STD-810E Method 514 Test levels exceed those recommended in MIL-STD-810E for Category 1 (Basic Transportation), Figures 514.4-1 through 514.4-3.

## Mechanical

Weight ..... 13.2 kg (29.2 lb.)

Maximum module weight ..... 1.8 kg (4 lb.)

Materials..... Sheet Aluminum (5052-H32 and 3003-H14) and Cold Rolled Steel

### Finish

Unpainted aluminum..... Conductive clear conversion coating

Cold rolled steel ..... Clear chromate zinc plating

Paint ..... Polyurethane enamel

Figure A-1 shows the PXI-1006 dimensions. The holes shown are for the installation of the optional rack-mount kit. You can install this kit on the front or rear of the chassis, depending on which end of the chassis you want to face toward the front of the instrument cabinet. Note that the front and rear chassis mounting holes (size M4) are symmetrical.

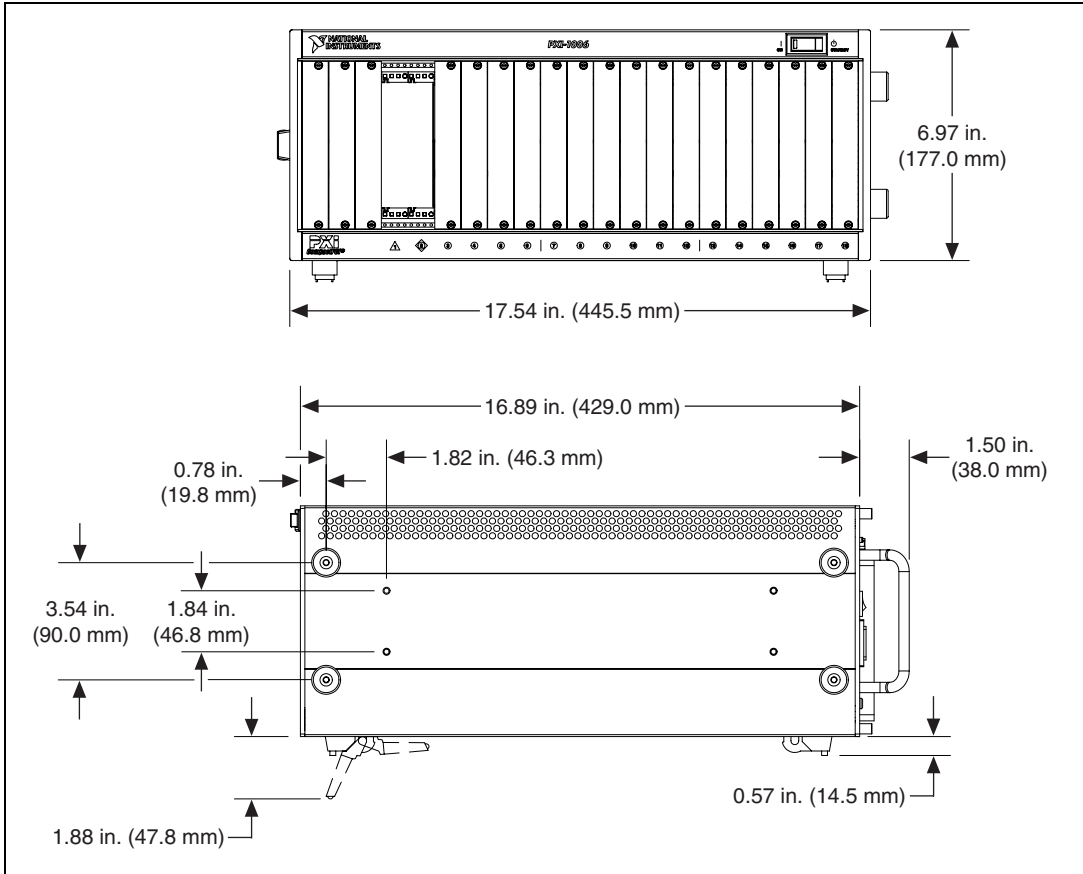


Figure A-1. PXI-1006 Dimensions

---

## Pinouts

This appendix describes the P1 and P2 connector pinouts for the PXI-1006 backplane.

Table B-1 shows the P1 (J1) connector pinout for the System Controller slot.

Table B-2 shows the P2 (J2) connector pinout for the System Controller slot.

Table B-3 shows the P1 (J1) connector pinout for the Star Trigger slot.

Table B-4 shows the P2 (J2) connector pinout for the Star Trigger slot.

Table B-5 shows the P1 (J1) connector pinout for the peripheral slots.

Table B-6 shows the P2 (J2) connector pinout for the peripheral slots.



**Note** PXI signals are shown in **bold**.

**Table B-1.** P1 (J1) Connector Pinout for the System Controller Slot

Pin	Z	A	B	C	D	E	F
25	GND	5V	REQ64#	ENUM#	3.3V	5V	GND
24	GND	AD[1]	5V	V(I/O)	AD[0]	ACK64#	GND
23	GND	3.3V	AD[4]	AD[3]	5V	AD[2]	GND
22	GND	AD[7]	GND	3.3V	AD[6]	AD[5]	GND
21	GND	3.3V	AD[9]	AD[8]	M66EN	C/BE[0]#	GND
20	GND	AD[12]	GND	V(I/O)	AD[11]	AD[10]	GND
19	GND	3.3V	AD[15]	AD[14]	GND	AD[13]	GND
18	GND	SERR#	GND	3.3V	PAR	C/BE[1]#	GND
17	GND	3.3V	IPMB_SCL	IPMB_SDA	GND	PERR#	GND
16	GND	DEVSEL#	GND	V(I/O)	STOP#	LOCK#	GND
15	GND	3.3V	FRAME#	IRDY#	GND	TRDY#	GND
12-14	Key Area						
11	GND	AD[18]	AD[17]	AD[16]	GND	C/BE[2]#	GND
10	GND	AD[21]	GND	3.3V	AD[20]	AD[19]	GND
9	GND	C/BE[3]#	GND	AD[23]	GND	AD[22]	GND
8	GND	AD[26]	GND	V(I/O)	AD[25]	AD[24]	GND
7	GND	AD[30]	AD[29]	AD[28]	GND	AD[27]	GND
6	GND	REQ0#	GND	3.3V	CLK0	AD[31]	GND
5	GND	BRSVP1A5	BRSVP1B5	RST#	GND	GNT0#	GND
4	GND	IPMB_PWR	HEALTHY#	V(I/O)	INTP	INTS	GND
3	GND	INTA#	INTB#	INTC#	5V	INTD#	GND
2	GND	TCK	5V	TMS	TDO	TDI	GND
1	GND	5V	-12V	TRST#	+12V	5V	GND



**Table B-2.** P2 (J2) Connector Pinout for the System Controller Slot

Pin	Z	A	B	C	D	E	F
22	GND	GA4	GA3	GA2	GA1	GA0	GND
21	GND	CLK6	GND	RSV	RSV	RSV	GND
20	GND	CLK5	GND	RSV	GND	RSV	GND
19	GND	GND	GND	SMB_SDA	SMB_SCL	SMB_ALERT#	GND
18	GND	<b>PXI_TRIG3</b>	<b>PXI_TRIG4</b>	<b>PXI_TRIG5</b>	GND	<b>PXI_TRIG6</b>	GND
17	GND	<b>PXI_TRIG2</b>	GND	PRST#	REQ6#	GNT6#	GND
16	GND	<b>PXI_TRIG1</b>	<b>PXI_TRIG0</b>	DEG#	GND	<b>PXI_TRIG7</b>	GND
15	GND	<b>PXI_BRSVA15</b>	GND	FAL#	REQ5#	GNT5#	GND
14	GND	AD[35]	AD[34]	AD[33]	GND	AD[32]	GND
13	GND	AD[38]	GND	V(I/O)	AD[37]	AD[36]	GND
12	GND	AD[42]	AD[41]	AD[40]	GND	AD[39]	GND
11	GND	AD[45]	GND	V(I/O)	AD[44]	AD[43]	GND
10	GND	AD[49]	AD[48]	AD[47]	GND	AD[46]	GND
9	GND	AD[52]	GND	V(I/O)	AD[51]	AD[50]	GND
8	GND	AD[56]	AD[55]	AD[54]	GND	AD[53]	GND
7	GND	AD[59]	GND	V(I/O)	AD[58]	AD[57]	GND
6	GND	AD[63]	AD[62]	AD[61]	GND	AD[60]	GND
5	GND	C/BE[5]#	GND	V(I/O)	C/BE[4]#	PAR64	GND
4	GND	V(I/O)	<b>PXI_BRSVB4</b>	C/BE[7]#	GND	C/BE[6]#	GND
3	GND	CLK4	GND	GNT3#	REQ4#	GNT4#	GND
2	GND	CLK2	CLK3	SYSEN#	GNT2#	REQ3#	GND
1	GND	CLK1	GND	REQ1#	GNT1#	REQ2#	GND

**Table B-3.** P1 (J1) Connector Pinout for the Star Trigger Slot

Pin	Z	A	B	C	D	E	F
25	GND	5V	REQ64#	ENUM#	3.3V	5V	GND
24	GND	AD[1]	5V	V(I/O)	AD[0]	ACK64#	GND
23	GND	3.3V	AD[4]	AD[3]	5V	AD[2]	GND
22	GND	AD[7]	GND	3.3V	AD[6]	AD[5]	GND
21	GND	3.3V	AD[9]	AD[8]	M66EN	C/BE[0]#	GND
20	GND	AD[12]	GND	V(I/O)	AD[11]	AD[10]	GND
19	GND	3.3V	AD[15]	AD[14]	GND	AD[13]	GND
18	GND	SERR#	GND	3.3V	PAR	C/BE[1]#	GND
17	GND	3.3V	IPMB_SCL	IPMB_SDA	GND	PERR#	GND
16	GND	DEVSEL#	GND	V(I/O)	STOP#	LOCK#	GND
15	GND	3.3V	FRAME#	IRDY#	BD_SEL#	TRDY#	GND
12-14	Key Area						
11	GND	AD[18]	AD[17]	AD[16]	GND	C/BE[2]#	GND
10	GND	AD[21]	GND	3.3V	AD[20]	AD[19]	GND
9	GND	C/BE[3]#	IDSEL	AD[23]	GND	AD[22]	GND
8	GND	AD[26]	GND	V(I/O)	AD[25]	AD[24]	GND
7	GND	AD[30]	AD[29]	AD[28]	GND	AD[27]	GND
6	GND	REQ#	GND	3.3V	CLK	AD[31]	GND
5	GND	BRSVP1A5	BRSVP1B5	RST#	GND	GNT#	GND
4	GND	IPMB_PWR	HEALTHY#	V(I/O)	INTP	INTS	GND
3	GND	INTA#	INTB#	INTC#	5V	INTD#	GND
2	GND	TCK	5V	TMS	TDO	TDI	GND
1	GND	5V	-12V	TRST#	+12V	5V	GND

**Table B-4.** P2 (J2) Connector Pinout for the Star Trigger Slot

Pin	Z	A	B	C	D	E	F
22	GND	GA4	GA3	GA2	GA1	GA0	GND
21	GND	<b>PXI_LBR0</b>	GND	<b>PXI_LBR1</b>	<b>PXI_LBR2</b>	<b>PXI_LBR3</b>	GND
20	GND	<b>PXI_LBR4</b>	<b>PXI_LBR5</b>	<b>PXI_STAR0</b>	GND	<b>PXI_STAR1</b>	GND
19	GND	<b>PXI_STAR2</b>	GND	<b>PXI_STAR3</b>	<b>PXI_STAR4</b>	<b>PXI_STAR5</b>	GND
18	GND	<b>PXI_TRIG3</b>	<b>PXI_TRIG4</b>	<b>PXI_TRIG5</b>	GND	<b>PXI_TRIG6</b>	GND
17	GND	<b>PXI_TRIG2</b>	GND	RSV	<b>PXI_CLK10_IN</b>	<b>PXI_CLK10</b>	GND
16	GND	<b>PXI_TRIG1</b>	<b>PXI_TRIG0</b>	RSV	GND	<b>PXI_TRIG7</b>	GND
15	GND	<b>PXI_BRSVA15</b>	GND	RSV	<b>PXI_STAR6</b>	<b>PXI_LBR6</b>	GND
14	GND	AD[35]	AD[34]	AD[33]	GND	AD[32]	GND
13	GND	AD[38]	GND	V(I/O)	AD[37]	AD[36]	GND
12	GND	AD[42]	AD[41]	AD[40]	GND	AD[39]	GND
11	GND	AD[45]	GND	V(I/O)	AD[44]	AD[43]	GND
10	GND	AD[49]	AD[48]	AD[47]	GND	AD[46]	GND
9	GND	AD[52]	GND	V(I/O)	AD[51]	AD[50]	GND
8	GND	AD[56]	AD[55]	AD[54]	GND	AD[53]	GND
7	GND	AD[59]	GND	V(I/O)	AD[58]	AD[57]	GND
6	GND	AD[63]	AD[62]	AD[61]	GND	AD[60]	GND
5	GND	C/BE[5]#	GND	V(I/O)	C/BE[4]#	PAR64	GND
4	GND	V(I/O)	<b>PXI_BRSVB4</b>	C/BE[7]#	GND	C/BE[6]#	GND
3	GND	<b>PXI_LBR7</b>	GND	<b>PXI_LBR8</b>	<b>PXI_LBR9</b>	<b>PXI_LBR10</b>	GND
2	GND	<b>PXI_LBR11</b>	<b>PXI_LBR12</b>	UNC	<b>PXI_STAR7</b>	<b>PXI_STAR8</b>	GND
1	GND	<b>PXI_STAR9</b>	GND	<b>PXI_STAR10</b>	<b>PXI_STAR11</b>	<b>PXI_STAR12</b>	GND

**Table B-5.** P1 (J1) Connector Pinout for the Peripheral Slot

Pin	Z	A	B	C	D	E	F
25	GND	5V	REQ64#	ENUM#	3.3V	5V	GND
24	GND	AD[1]	5V	V(I/O)	AD[0]	ACK64#	GND
23	GND	3.3V	AD[4]	AD[3]	5V	AD[2]	GND
22	GND	AD[7]	GND	3.3V	AD[6]	AD[5]	GND
21	GND	3.3V	AD[9]	AD[8]	M66EN	C/BE[0]#	GND
20	GND	AD[12]	GND	V(I/O)	AD[11]	AD[10]	GND
19	GND	3.3V	AD[15]	AD[14]	GND	AD[13]	GND
18	GND	SERR#	GND	3.3V	PAR	C/BE[1]#	GND
17	GND	3.3V	IPMB_SCL	IPMB_SDA	GND	PERR#	GND
16	GND	DEVSEL#	GND	V(I/O)	STOP#	LOCK#	GND
15	GND	3.3V	FRAME#	IRDY#	BD_SEL#	TRDY#	GND
12-14	Key Area						
11	GND	AD[18]	AD[17]	AD[16]	GND	C/BE[2]#	GND
10	GND	AD[21]	GND	3.3V	AD[20]	AD[19]	GND
9	GND	C/BE[3]#	IDSEL	AD[23]	GND	AD[22]	GND
8	GND	AD[26]	GND	V(I/O)	AD[25]	AD[24]	GND
7	GND	AD[30]	AD[29]	AD[28]	GND	AD[27]	GND
6	GND	REQ#	GND	3.3V	CLK	AD[31]	GND
5	GND	BRSVP1A5	BRSVP1B5	RST#	GND	GNT#	GND
4	GND	IPMB_PWR	HEALTHY#	V(I/O)	INTP	INTS	GND
3	GND	INTA#	INTB#	INTC#	5V	INTD#	GND
2	GND	TCK	5V	TMS	TDO	TDI	GND
1	GND	5V	-12V	TRST#	+12V	5V	GND

**Table B-6.** P2 (J2) Connector Pinout for the Peripheral Slot

Pin	Z	A	B	C	D	E	F
22	GND	GA4	GA3	GA2	GA1	GA0	GND
21	GND	PXI_LBR0	GND	PXI_LBR1	PXI_LBR2	PXI_LBR3	GND
20	GND	PXI_LBR4	PXI_LBR5	PXI_LBL0	GND	PXI_LBL1	GND
19	GND	PXI_LBL2	GND	PXI_LBL3	PXI_LBL4	PXI_LBL5	GND
18	GND	PXI_TRIG3	PXI_TRIG4	PXI_TRIG5	GND	PXI_TRIG6	GND
17	GND	PXI_TRIG2	GND	RSV	PXI_STAR	PXI_CLK10	GND
16	GND	PXI_TRIG1	PXI_TRIG0	RSV	GND	PXI_TRIG7	GND
15	GND	PXI_BRSVA15	GND	RSV	PXI_LBL6	PXI_LBR6	GND
14	GND	AD[35]	AD[34]	AD[33]	GND	AD[32]	GND
13	GND	AD[38]	GND	V(I/O)	AD[37]	AD[36]	GND
12	GND	AD[42]	AD[41]	AD[40]	GND	AD[39]	GND
11	GND	AD[45]	GND	V(I/O)	AD[44]	AD[43]	GND
10	GND	AD[49]	AD[48]	AD[47]	GND	AD[46]	GND
9	GND	AD[52]	GND	V(I/O)	AD[51]	AD[50]	GND
8	GND	AD[56]	AD[55]	AD[54]	GND	AD[53]	GND
7	GND	AD[59]	GND	V(I/O)	AD[58]	AD[57]	GND
6	GND	AD[63]	AD[62]	AD[61]	GND	AD[60]	GND
5	GND	C/BE[5]#	GND	V(I/O)	C/BE[4]#	PAR64	GND
4	GND	V(I/O)	PXI_BRSVB4	C/BE[7]#	GND	C/BE[6]#	GND
3	GND	PXI_LBR7	GND	PXI_LBR8	PXI_LBR9	PXI_LBR10	GND
2	GND	PXI_LBR11	PXI_LBR12	UNC	PXI_LBL7	PXI_LBL8	GND
1	GND	PXI_LBL9	GND	PXI_LBL10	PXI_LBL11	PXI_LBL12	GND



---

# Technical Support Resources

## Web Support

---

National Instruments Web support is your first stop for help in solving installation, configuration, and application problems and questions. Online problem-solving and diagnostic resources include frequently asked questions, knowledge bases, product-specific troubleshooting wizards, manuals, drivers, software updates, and more. Web support is available through the Technical Support section of [ni.com](http://ni.com)

## NI Developer Zone

---

The NI Developer Zone at [ni.com/zone](http://ni.com/zone) is the essential resource for building measurement and automation systems. At the NI Developer Zone, you can easily access the latest example programs, system configurators, tutorials, technical news, as well as a community of developers ready to share their own techniques.

## Customer Education

---

National Instruments provides a number of alternatives to satisfy your training needs, from self-paced tutorials, videos, and interactive CDs to instructor-led hands-on courses at locations around the world. Visit the Customer Education section of [ni.com](http://ni.com) for online course schedules, syllabi, training centers, and class registration.

## System Integration

---

If you have time constraints, limited in-house technical resources, or other dilemmas, you may prefer to employ consulting or system integration services. You can rely on the expertise available through our worldwide network of Alliance Program members. To find out more about our Alliance system integration solutions, visit the System Integration section of [ni.com](http://ni.com)

## Worldwide Support

---

National Instruments has offices located around the world to help address your support needs. You can access our branch office Web sites from the Worldwide Offices section of [ni.com](http://ni.com). Branch office Web sites provide up-to-date contact information, support phone numbers, e-mail addresses, and current events.

If you have searched the technical support resources on our Web site and still cannot find the answers you need, contact your local office or National Instruments corporate. Phone numbers for our worldwide offices are listed at the front of this manual.

# Glossary

---

Prefix	Meanings	Value
n-	nano-	$10^{-9}$
$\mu$ -	micro-	$10^{-6}$
m-	milli-	$10^{-3}$
c-	centi-	$10^{-2}$
k-	kilo-	$10^3$
M-	mega-	$10^6$

## Symbols

°	Degrees
$\geq$	Equal or greater than
$\leq$	Equal or less than
%	Percent

## A

A	Amperes
AC	Alternating current
Ah	Ampere hours
ANSI	American National Standards Institute
AWG	American Wire Gauge



## B

backplane An assembly, typically a printed circuit board, with connectors and signal paths that bus the connector pins

## C

C Celsius

cfm Cubic feet per minute

CFR Cooperative Fuel Research

CSA Canadian Standards Association

## D

daisy-chain A method of propagating signals along a bus, in which the devices are prioritized on the basis of their position on the bus

DC Direct current

## E

ECL Emitter-coupled logic

EIA Electronic Industries Association

EMC Electromagnetic Compatibility

## F

FCC Federal Communications Commission

## G

g 1) grams 2) A measure of acceleration equal to  $9.8 \text{ m/s}^2$

GPIB General Purpose Interface Bus (IEEE 488)

$g_{RMS}$  A measure of random vibration. The root mean square of acceleration levels in a random vibration test profile.

## H

Hz Hertz; cycles per second

## I

IEC International Electrotechnical Commission; an organization that sets international electrical and electronics standards

IEEE Institute of Electrical and Electronics Engineers

$I_{MP}$  Mainframe peak current

in. Inches

## L

lb Pounds

## M

m Meters

MTBF Mean time between failure

MTTR Mean time to repair

## N

NEMA National Electrical Manufacturers Association

## P

PXI PCI eXtensions for Instrumentation

## R

RH	Relative humidity
RMS	Root mean square. A method used to measure electrical output in volts and watts

## S

s	Seconds
ST	Star Trigger
Star Trigger slot	This slot is located at slot 2 and has a dedicated trigger line between each peripheral slot. Use this slot for a module with ST functionality that can provide individual triggers to all other peripherals.
System controller	A module configured for installation in Slot 0 of a VXIbus mainframe. This device is unique in the VXIbus system in that it performs the VMEbus system controller functions, including clock sourcing and arbitration for data transfers across the backplane. Installing such a device into any other slot can damage the device, the VXIbus backplane, or both.

## U

UL	Underwriter's Laboratories
----	----------------------------

## V

V	Volts
VAC	Volts alternating current
V <sub>PP</sub>	Peak to peak voltage

## W

W	Watts
---	-------

# Index

---

## B

- backplane, 2-2
  - interoperability with CompactPCI, 2-2
  - local bus, 2-4
  - overview, 2-2
  - peripheral slots, 2-4
  - specifications, A-4
  - Star Trigger (ST) slot, 2-4
  - system reference clock, 2-6
  - trigger bus, 2-6

## C

- chassis initialization file, 2-9
- chassis segment dividers, 2-6
- CompactPCI
  - interoperability with PXI-1006
    - backplane, 2-2
- connector pinouts. *See* pinouts.
- cooling
  - filler panel installation, 2-9
- cooling specifications, A-2
- customer education, C-1

## D

- DB-9 connector
  - pinout (table), 2-7
  - power supply voltages (table), 2-8
- dimensions (figure), A-6
- documentation
  - conventions used in manual, *ix*
  - related documentation, *ix*

## E

- electrical specifications, A-1
- electromagnetic compatibility specifications (table), A-3

## F

- filler panel installation, 2-9

## G

- ground, connecting, *xi*

## I

- IEC 320 inlet, 2-3
- installation, configuration, and operation
  - chassis initialization file, 2-9
  - connecting safety ground, *xi*
  - filler panel installation, 2-9
  - rack mounting, 2-6
  - remote power monitoring and inhibiting interface, 2-7
- interoperability with CompactPCI, 2-2

## K

- key features, 2-1

## L

- local bus
  - routing (figure), 2-4, 2-5

**M**

- maintenance of PXI-1006, 3-1
  - cleaning
    - exterior cleaning, 2-9
    - fan filters, 2-10
    - interior cleaning, 2-9
  - resetting the AC mains circuit breaker, 3-1
  - troubleshooting
    - causes, what to do (table), 3-1
- mechanical specifications, A-5

**N**

- National Instruments Web support, C-1
- NI Developer Zone, C-1

**P**

- P1 (J1) connector
  - peripheral slot (table), B-6
  - Star Trigger slot (table), B-4
  - system controller slot (table), B-2
- P2 (J2) connector
  - peripheral slot (table), B-7
  - Star Trigger slot (table), B-5
  - system controller slot (table), B-3
- peripheral slots
  - overview, 2-4
  - P1 (J1) connector pinouts (table), B-6
  - P2 (J2) connector pinouts (table), B-7
- pinouts, B-1
  - DB-9 connector (table), 2-7
  - P1 (J1) connector
    - peripheral slot (table), B-6
    - Star Trigger slot (table), B-4
    - system controller slot (table), B-2
  - P2 (J2) connector
    - peripheral slot (table), B-7
    - Star Trigger slot (table), B-5
    - system controller slot (table), B-3
- power monitoring connector. *See* DB-9 connector.
- power monitoring feature, 2-8
- power problems, troubleshooting, 3-1
- power supply
  - remote power monitoring and inhibiting interface, 2-7
  - voltages at power monitoring connector (DB-9) (table), 2-7
- PXI\_CLK10, 2-6
- PXI\_CLK10\_IN pin, 2-6
- PXI-1006
  - frontview (figure), 2-3
  - installation
    - See* installation, configuration, and operation.
  - key features, 2-1
  - maintenance
    - See* maintenance of PXI-1006.
  - rack mounting, 2-6
  - rearview of AC-only (figure), 2-3
  - safety ground, connecting, *xi*
- PXI-1006 backplane, 2-2
- interoperability with CompactPCI, 2-2
- local bus, 2-4
- overview, 2-2
- peripheral slots, 2-4
- specifications, A-4
- Star Trigger (ST) slot, 2-4
- system reference clock, 2-6
- trigger bus, 2-6

**R**

rack mounting, 2-6  
 remote power monitoring and inhibiting interface, 2-7

**S**

safety ground, connecting, *xi*  
 safety specifications (table), A-3  
 safety, warning and caution notices, *xi*  
 specifications, A-1
 

- backplane, A-4
- cooling, A-2
- dimensions (figure), A-6
- electrical, A-1
- electromagnetic compatibility, A-3
- environmental, A-3
- mechanical, A-5
- safety, A-3

 Star Trigger (ST) slot
 

- description, 2-4
- P1 (J1) connector pinouts (table), B-4
- P2 (J2) connector pinouts (table), B-5

system controller slot
 

- description, 2-4
- P1 (J1) connector pinouts (table), B-2
- P2 (J2) connector pinouts (table), B-3

 system integration, by National Instruments, C-1  
 system reference clock, 2-6

**T**

technical support resources, C-1  
 trigger bus, 2-6  
 troubleshooting the PXI-1006 (table), 3-1

**V**

voltages at power monitoring connector (DB-9) (table), 2-8

**W**

Web support from National Instruments, C-1  
 worldwide technical support, C-2

## Free Manuals Download Website

<http://myh66.com>

<http://usermanuals.us>

<http://www.somanuals.com>

<http://www.4manuals.cc>

<http://www.manual-lib.com>

<http://www.404manual.com>

<http://www.luxmanual.com>

<http://aubethermostatmanual.com>

Golf course search by state

<http://golfingnear.com>

Email search by domain

<http://emailbydomain.com>

Auto manuals search

<http://auto.somanuals.com>

TV manuals search

<http://tv.somanuals.com>