

**DAQ**

# **VXI-MIO Series User Manual**

*Multifunction I/O Modules for VXIbus*

August 1996 Edition  
Part Number 321246A-01

---

© Copyright 1996 National Instruments Corporation. All Rights Reserved.



### **Internet Support**

GPiB: [gpib.support@natinst.com](mailto:gpib.support@natinst.com)  
DAQ: [daq.support@natinst.com](mailto:daq.support@natinst.com)  
VXI: [vx1.support@natinst.com](mailto:vx1.support@natinst.com)  
LabVIEW: [lv.support@natinst.com](mailto:lv.support@natinst.com)  
LabWindows: [lw.support@natinst.com](mailto:lw.support@natinst.com)  
HiQ: [hiq.support@natinst.com](mailto:hiq.support@natinst.com)  
Lookout: [lookout.support@natinst.com](mailto:lookout.support@natinst.com)

E-mail: [info@natinst.com](mailto:info@natinst.com)  
FTP Site: [ftp.natinst.com](ftp://www.natinst.com)  
Web Address: <http://www.natinst.com>



### **Bulletin Board Support**

BBS United States: (512) 794-5422 or (800) 327-3077  
BBS United Kingdom: 01635 551422  
BBS France: 1 48 65 15 59



### **FaxBack Support**

(512) 418-1111



### **Telephone Support (U.S.)**

Tel: (512) 795-8248  
Fax: (512) 794-5678



### **International Offices**

Australia 03 9879 5166, Austria 0662 45 79 90 0, Belgium 02 757 00 20,  
Canada (Ontario) 905 785 0085, Canada (Québec) 514 694 8521, Denmark 45 76 26 00,  
Finland 90 527 2321, France 01 48 14 24 24, Germany 089 741 31 30,  
Hong Kong 2645 3186, Israel 03 5734815, Italy 02 413091, Japan 03 5472 2970,  
Korea 02 596 7456, Mexico 95 800 010 0793, Netherlands 0348 433466,  
Norway 32 84 84 00, Singapore 2265886, Spain 91 640 0085, Sweden 08 730 49 70,  
Switzerland 056 200 51 51, Taiwan 02 377 1200, U.K. 01635 523545

### **National Instruments Corporate Headquarters**

6504 Bridge Point Parkway Austin, TX 78730-5039 Tel: (512) 794-0100

# Important Information

---

## Warranty

The VXI-MIO Series boards are warranted against defects in materials and workmanship for a period of one year from the date of shipment, as evidenced by receipts or other documentation. National Instruments will, at its option, repair or replace equipment that proves to be defective during the warranty period. This warranty includes parts and labor.

The media on which you receive National Instruments software are warranted not to fail to execute programming instructions, due to defects in materials and workmanship, for a period of 90 days from date of shipment, as evidenced by receipts or other documentation. National Instruments will, at its option, repair or replace software media that do not execute programming instructions if National Instruments receives notice of such defects during the warranty period. National Instruments does not warrant that the operation of the software shall be uninterrupted or error free.

A Return Material Authorization (RMA) number must be obtained from the factory and clearly marked on the outside of the package before any equipment will be accepted for warranty work. National Instruments will pay the shipping costs of returning to the owner parts which are covered by warranty.

National Instruments believes that the information in this manual is accurate. The document has been carefully reviewed for technical accuracy. In the event that technical or typographical errors exist, National Instruments reserves the right to make changes to subsequent editions of this document without prior notice to holders of this edition. The reader should consult National Instruments if errors are suspected. In no event shall National Instruments be liable for any damages arising out of or related to this document or the information contained in it.

EXCEPT AS SPECIFIED HEREIN, NATIONAL INSTRUMENTS MAKES NO WARRANTIES, EXPRESS OR IMPLIED, AND SPECIFICALLY DISCLAIMS ANY WARRANTY OF MERCHANTABILITY OR FITNESS FOR A PARTICULAR PURPOSE. CUSTOMER'S RIGHT TO RECOVER DAMAGES CAUSED BY FAULT OR NEGLIGENCE ON THE PART OF NATIONAL INSTRUMENTS SHALL BE LIMITED TO THE AMOUNT THEREFORE PAID BY THE CUSTOMER. NATIONAL INSTRUMENTS WILL NOT BE LIABLE FOR DAMAGES RESULTING FROM LOSS OF DATA, PROFITS, USE OF PRODUCTS, OR INCIDENTAL OR CONSEQUENTIAL DAMAGES, EVEN IF ADVISED OF THE POSSIBILITY THEREOF. This limitation of the liability of National Instruments will apply regardless of the form of action, whether in contract or tort, including negligence. Any action against National Instruments must be brought within one year after the cause of action accrues. National Instruments shall not be liable for any delay in performance due to causes beyond its reasonable control. The warranty provided herein does not cover damages, defects, malfunctions, or service failures caused by owner's failure to follow the National Instruments installation, operation, or maintenance instructions; owner's modification of the product; owner's abuse, misuse, or negligent acts; and power failure or surges, fire, flood, accident, actions of third parties, or other events outside reasonable control.

## Copyright

Under the copyright laws, this publication may not be reproduced or transmitted in any form, electronic or mechanical, including photocopying, recording, storing in an information retrieval system, or translating, in whole or in part, without the prior written consent of National Instruments Corporation.

## Trademarks

LabVIEW®, NI-DAQ®, ComponentWorks™, DAQ-STC™, MANTIS™, MITE™, NI-PGIA™, NI-VISA™, NI-VXI™, SCXI™, and VirtualBench™ are trademarks of National Instruments Corporation.

Product and company names listed are trademarks or trade names of their respective companies.

## WARNING REGARDING MEDICAL AND CLINICAL USE OF NATIONAL INSTRUMENTS PRODUCTS

National Instruments products are not designed with components and testing intended to ensure a level of reliability suitable for use in treatment and diagnosis of humans. Applications of National Instruments products involving medical or clinical treatment can create a potential for accidental injury caused by product failure, or by errors on the part of the user or application designer. Any use or application of National Instruments products for or involving medical or clinical treatment must be performed by properly trained and qualified medical personnel, and all traditional medical safeguards, equipment, and procedures that are appropriate in the particular situation to prevent serious injury or death should always continue to be used when National Instruments products are being used. National Instruments products are NOT intended to be a substitute for any form of established process, procedure, or equipment used to monitor or safeguard human health and safety in medical or clinical treatment.

*Table  
of  
Contents*

## About This Manual

Organization of This Manual .....	xi
Conventions Used in This Manual .....	xii
National Instruments Documentation .....	xiii
Related Documentation .....	xiv
Customer Communication .....	xiv

## Chapter 1

### Introduction

About the VXI-MIO Series .....	1-1
What You Need to Get Started .....	1-2
Software Programming Choices .....	1-2
National Instruments Application Software .....	1-2
NI-DAQ Driver Software .....	1-3
VXI <i>plug&amp;play</i> Instrument Drivers .....	1-4
Optional Equipment .....	1-5
Custom Cabling .....	1-6
Unpacking .....	1-6

## Chapter 2

### Configuration and Installation

Module Configuration .....	2-1
VXIbus Logical Address .....	2-1
SIMM Size .....	2-5
Load USER/FACTORY Configuration .....	2-7
Protect/Change Factory Configuration .....	2-8
Hardware Installation .....	2-8
Software Installation .....	2-9

## Chapter 3 Hardware Overview

Analog Input .....	3-3
Input Mode .....	3-3
Input Polarity and Input Range .....	3-4
Considerations for Selecting Input Ranges .....	3-6
Dither .....	3-7
Multichannel Scanning Considerations .....	3-8
Analog Output .....	3-10
Analog Output Reference Selection .....	3-10
Analog Output Polarity Selection .....	3-10
Analog Output Reglitch Selection .....	3-11
Analog Trigger .....	3-11
Digital I/O .....	3-14
Timing Signal Routing .....	3-15
Programmable Function Inputs .....	3-16
Module and Timebase .....	3-16
VXIbus Triggers .....	3-17

## Chapter 4 Signal Connections

I/O Connector .....	4-1
I/O Connector Signal Descriptions .....	4-3
Analog Input Signal Connections .....	4-9
Types of Signal Sources .....	4-11
Floating Signal Sources .....	4-11
Ground-Referenced Signal Sources .....	4-11
Input Configurations .....	4-12
Differential Connection Considerations (DIFF Input Configuration) .....	4-14
Differential Connections for Ground-Referenced Signal Sources .....	4-15
Differential Connections for Nonreferenced or Floating Signal Sources .....	4-16
Single-Ended Connection Considerations .....	4-18
Single-Ended Connections for Floating Signal Sources (RSE Configuration) .....	4-19
Single-Ended Connections for Grounded Signal Sources (NRSE Configuration) .....	4-19
Common-Mode Signal Rejection Considerations .....	4-20
Analog Output Signal Connections .....	4-20
Digital I/O Signal Connections .....	4-22

Power Connections .....	4-23
Timing Connections .....	4-23
Programmable Function Input Connections .....	4-24
Data Acquisition Timing Connections .....	4-25
SCANCLK Signal .....	4-26
EXTSTROBE* Signal .....	4-26
TRIG1 Signal .....	4-27
TRIG2 Signal .....	4-28
STARTSCAN Signal .....	4-30
CONVERT* Signal .....	4-32
AIGATE Signal .....	4-33
SISOURCE Signal .....	4-34
Waveform Generation Timing Connections .....	4-34
WFTRIG Signal .....	4-36
UPDATE* Signal .....	4-36
UISOURCE Signal .....	4-37
General-Purpose Timing Signal Connections .....	4-38
GPCTR0_SOURCE Signal .....	4-38
GPCTR0_GATE Signal .....	4-39
GPCTR0_OUT Signal .....	4-40
GPCTR0_UP_DOWN Signal .....	4-40
GPCTR1_SOURCE Signal .....	4-41
GPCTR1_GATE Signal .....	4-41
GPCTR1_OUT Signal .....	4-42
GPCTR1_UP_DOWN Signal .....	4-43
FREQ_OUT Signal .....	4-44
Field Wiring Considerations .....	4-45

## Chapter 5

### Calibration

Loading Calibration Constants .....	5-1
Self-Calibration .....	5-2
External Calibration .....	5-2
Other Considerations .....	5-3

## Appendix A Specifications

VXI-MIO-64E-1 .....	A-1
VXI-MIO-64XE-10 .....	A-10

## Appendix B Optional Cable Connector Descriptions

## Appendix C Common Questions

## Appendix D Customer Communication

## Glossary

## Index

## Figures

Figure 1-1. The Relationship between the Programming Environment, Your Instrument Driver, and Your VXI-DAQ Hardware .....	1-5
Figure 2-1. VXI-MIO-64E-1 Parts Locator Diagram .....	2-3
Figure 2-2. VXI-MIO-64XE-10 Parts Locator Diagram .....	2-4
Figure 2-3. VXI-MIO-64XE-10 Logical Address Selection .....	2-5
Figure 2-4. SIMM Size Configuration .....	2-6
Figure 2-5. Load User/Factory Configuration .....	2-8
Figure 2-6. Protect/Change Factory Configuration .....	2-8
Figure 3-1. VXI-MIO Series Block Diagram .....	3-2
Figure 3-2. Dither .....	3-8
Figure 3-3. Analog Trigger Block Diagram .....	3-12
Figure 3-4. Below-Low-Level Analog Triggering Mode .....	3-12
Figure 3-5. Above-High-Level Analog Triggering Mode .....	3-13
Figure 3-6. Inside-Region Analog Triggering Mode .....	3-13
Figure 3-7. High-Hysteresis Analog Triggering Mode .....	3-13
Figure 3-8. Low-Hysteresis Analog Triggering Mode .....	3-14
Figure 3-9. CONVERT* Signal Routing .....	3-15
Figure 3-10. VXIbus Trigger Utilization .....	3-17

Figure 4-1. I/O Connector Pin Assignment for the VXI-MIO-64E-1 and VXI-MIO-64XE-10 .....	4-2
Figure 4-2. VXI-MIO Series PGIA .....	4-10
Figure 4-3. Summary of Analog Input Connections .....	4-13
Figure 4-4. Differential Input Connections for Ground-Referenced Signals .....	4-15
Figure 4-5. Differential Input Connections for Nonreferenced Signals .....	4-16
Figure 4-6. Single-Ended Input Connections for Nonreferenced or Floating Signals .....	4-19
Figure 4-7. Single-Ended Input Connections for Ground-Referenced Signal .....	4-20
Figure 4-8. Analog Output Connections .....	4-21
Figure 4-9. Digital I/O Connections .....	4-22
Figure 4-10. Timing I/O Connections .....	4-24
Figure 4-11. Typical Posttriggered Acquisition .....	4-25
Figure 4-12. Typical Pretriggered Acquisition .....	4-26
Figure 4-13. SCANCLK Signal Timing .....	4-26
Figure 4-14. EXTSTROBE* Signal Timing .....	4-27
Figure 4-15. TRIG1 Input Signal Timing .....	4-28
Figure 4-16. TRIG1 Output Signal Timing .....	4-28
Figure 4-17. TRIG2 Input Signal Timing .....	4-29
Figure 4-18. TRIG2 Output Signal Timing .....	4-29
Figure 4-19. STARTSCAN Input Signal Timing .....	4-30
Figure 4-20. STARTSCAN Output Signal Timing .....	4-31
Figure 4-21. CONVERT* Input Signal Timing .....	4-32
Figure 4-22. CONVERT* Output Signal Timing .....	4-33
Figure 4-23. SISOURCE Signal Timing .....	4-34
Figure 4-24. WFTRIG Input Signal Timing .....	4-35
Figure 4-25. WFTRIG Output Signal Timing .....	4-35
Figure 4-26. UPDATE* Input Signal Timing .....	4-37
Figure 4-27. UPDATE* Output Signal Timing .....	4-37
Figure 4-28. UISOURCE Signal Timing .....	4-38
Figure 4-29. GPCTR0_SOURCE Signal Timing .....	4-39
Figure 4-30. GPCTR0_GATE Signal Timing in Edge-Detection Mode .....	4-40
Figure 4-31. GPCTR0_OUT Signal Timing .....	4-40
Figure 4-32. GPCTR1_SOURCE Signal Timing .....	4-41
Figure 4-33. GPCTR1_GATE Signal Timing in Edge-Detection Mode .....	4-42
Figure 4-34. GPCTR1_OUT Signal Timing .....	4-43
Figure 4-35. GPCTR Timing Summary .....	4-43
Figure B-1. 68-Pin MIO Connector Pin Assignments .....	B-2
Figure B-2. 68-Pin Extended Analog Input Connector Pin Assignments .....	B-3



## Tables

Table 2-1.	VXI-MIO Series DRAM Configuration .....	2-6
Table 3-1.	Available Input Configurations for the VXI-MIO Series .....	3-3
Table 3-2.	Actual Range and Measurement Precision .....	3-4
Table 3-3.	Actual Range and Measurement Precision, VXI-MIO-64XE-10 .....	3-6
Table 4-1.	VXI-MIO-64E-1 I/O Signal Summary .....	4-6
Table 4-2.	VXI-MIO-64XE-10 I/O Signal Summary .....	4-8

This manual describes the electrical and mechanical aspects of each module in the VXI-MIO Series product line and contains information concerning their installation, operation, and programming. Unless otherwise noted, text applies to all modules in the VXI-MIO Series.

The VXI-MIO Series includes the following modules:

- VXI-MIO-64E-1
- VXI-MIO-64XE-10

The VXI-MIO Series modules are high-performance multifunction analog, digital, and timing I/O modules for VXIbus.

## Organization of This Manual

The *VXI-MIO Series User Manual* is organized as follows:

- Chapter 1, *Introduction*, describes the VXI-MIO Series modules, lists what you need to get started, describes the optional software and optional equipment, and explains how to unpack your VXI-MIO Series module.
- Chapter 2, *Configuration and Installation*, explains how to configure and install your VXI-MIO Series module.
- Chapter 3, *Hardware Overview*, presents an overview of the hardware functions on your VXI-MIO Series module.
- Chapter 4, *Signal Connections*, describes how to make input and output signal connections to your VXI-MIO Series module via the module I/O connector.
- Chapter 5, *Calibration*, discusses the calibration procedures for your VXI-MIO Series module.
- Appendix A, *Specifications*, lists the specifications for each module in the VXI-MIO Series.
- Appendix B, *Optional Cable Connector Descriptions*, describes the connectors on the optional cables for the VXI-MIO Series modules.

- Appendix C, *Common Questions*, contains a list of commonly asked questions and their answers relating to usage and special features of your VXI-MIO Series module.
- Appendix D, *Customer Communication*, contains forms you can use to request help from National Instruments or to comment on our products.
- The *Glossary* contains an alphabetical list and description of terms used in this manual, including acronyms, abbreviations, metric prefixes, mnemonics, and symbols.
- The *Index* alphabetically lists topics covered in this manual, including the page where you can find the topic.

## Conventions Used in This Manual

---

The following conventions are used in this manual.

- ◆ The ◆ indicates that the text following it applies only to specific VXI-MIO Series modules.
  - < > Angle brackets containing numbers separated by an ellipsis represent a range of values associated with a bit, port, or signal name (for example, ACH<0..7> stands for ACH0 through ACH7).
  - bold** Bold text denotes parameters.
  - bold italic*** Bold italic text denotes a note, caution, or warning.
  - italic* Italic text denotes emphasis on a specific module in the VXI-MIO Series or on other important information, a cross reference, or an introduction to a key concept.
  - NI-DAQ NI-DAQ refers to the NI-DAQ software for PC compatibles unless otherwise noted.
  - SCXI SCXI stands for Signal Conditioning eXtensions for Instrumentation and is a National Instruments product line designed to perform front-end signal conditioning for National Instruments plug-in DAQ boards.
- The *Glossary* lists abbreviations, acronyms, metric prefixes, mnemonics, symbols, and terms.

# National Instruments Documentation

---

The *VXI-MIO Series User Manual* is one piece of the documentation set for your VXI-DAQ system. You could have any of several types of manuals depending on the hardware and software in your system. Use the manuals you have as follows:

- *Getting Started with SCXI*—If you are using SCXI, this is the first manual you should read. It gives an overview of the SCXI system and contains the most commonly needed information for the modules, chassis, and software.
- Your SCXI hardware user manuals—If you are using SCXI, read these manuals next for detailed information about signal connections and module configuration. They also explain in greater detail how the module works and contain application hints.
- Your VXI-DAQ hardware user manuals—These manuals have detailed information about the VXI-DAQ hardware that plugs into or is connected to your system. Use these manuals for hardware installation and configuration instructions, specification information about your VXI-DAQ hardware, and application hints.
- Software documentation—You may have both application software and driver software documentation. National Instruments application software includes ComponentWorks, LabVIEW, LabWindows<sup>®</sup>/CVI, Measure, and VirtualBench. National Instruments driver software includes NI-DAQ and VXI*plug&play* instrument drivers. After you set up your hardware system, use either your application or driver software documentation to help you write your application. If you have a large and complicated system, it is worthwhile to look through the software documentation before you configure your hardware.
- Accessory installation guides or manuals—If you are using accessory products, read the terminal block and cable assembly installation guides. They explain how to physically connect the relevant pieces of the system. Consult these guides when you are making your connections.
- SCXI chassis manuals—If you are using SCXI, read these manuals for maintenance information on the chassis and installation instructions.

## Related Documentation

---

The following National Instruments document contains information you may find helpful:

- Application Note 025, *Field Wiring and Noise Considerations for Analog Signals*

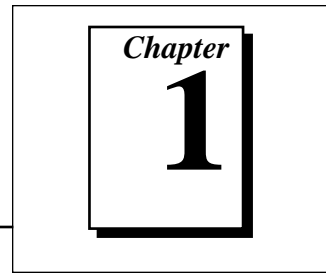
## Customer Communication

---

National Instruments wants to receive your comments on our products and manuals. We are interested in the applications you develop with our products, and we want to help if you have problems with them. To make it easy for you to contact us, this manual contains comment and configuration forms for you to complete. These forms are in Appendix D, *Customer Communication*, at the end of this manual.

# Introduction

---



This chapter describes the VXI-MIO Series modules, lists what you need to get started, describes the optional software and optional equipment, and explains how to unpack your VXI-MIO Series module.

## About the VXI-MIO Series

---

Thank you for buying a National Instruments VXI-MIO Series module. The VXI-MIO Series modules are completely *VXIplug&play*-compatible multifunction analog, digital, and timing I/O modules for VXIbus. This family of modules features 12-bit and 16-bit ADCs with 64 analog inputs, 12-bit and 16-bit DACs with voltage outputs, eight lines of TTL-compatible digital I/O, and two 24-bit counter/timers for timing I/O.

The VXI-MIO Series modules use the National Instruments DAQ-STC system timing controller for timer-related functions. The DAQ-STC consists of three timing groups that control analog input, analog output, and general-purpose counter/timer functions. These groups include a total of seven 24-bit and three 16-bit counters and a maximum timing resolution of 50 ns.

A common problem with other VXI modules is that you cannot easily synchronize several measurement functions to a common trigger or timing event. The VXI-MIO Series modules solve this problem by using VXIbus triggers to synchronize measurements on several VXI-MIO Series modules.

You can interface the VXI-MIO Series modules to an SCXI signal conditioning and multiplexing system to acquire over 3,000 analog signals from thermocouples, RTDs, strain gauges, voltage sources, and current sources. You can also acquire or generate digital signals for communication and control.

Detailed specifications of the VXI-MIO Series modules are in Appendix A, *Specifications*.

## What You Need to Get Started

---

To set up and use your VXI-MIO Series module, you will need the following:

- One of the following modules:
  - VXI-MIO-64E-1
  - VXI-MIO-64XE-10
- VXI-MIO Series User Manual*
- One or more of the following software packages and documentation:
  - ComponentWorks
  - LabVIEW for Windows
  - LabWindows/CVI
  - Measure
  - NI-DAQ for PC Compatibles
  - VirtualBench
  - VXIplug&play* instrument driver
- Your VXIbus system

## Software Programming Choices

---

There are several options to choose from when programming your National Instruments VXI-DAQ hardware. You can use LabVIEW, LabWindows/CVI, Measure, ComponentWorks, VirtualBench, or other application development environments with either NI-DAQ or the *VXIplug&play* instrument driver. Both NI-DAQ and the *VXIplug&play* instrument drivers access the VXI-DAQ hardware through the VISA driver software.

## National Instruments Application Software

ComponentWorks contains tools for data acquisition and instrument control built on NI-DAQ driver software. ComponentWorks provides a higher-level programming interface for building virtual instruments through standard OLE controls and DLLs. With ComponentWorks, you can use all of the configuration tools, resource management utilities, and interactive control utilities included with NI-DAQ.

LabVIEW features interactive graphics, a state-of-the-art user interface, and a powerful graphical programming language. The LabVIEW Data Acquisition VI Library, a series of VIs for using LabVIEW with National Instruments DAQ hardware, is included with LabVIEW. The LabVIEW Data Acquisition VI Library is functionally equivalent to the NI-DAQ software.

LabWindows/CVI features interactive graphics, a state-of-the-art user interface, and uses the ANSI standard C programming language. The LabWindows/CVI Data Acquisition Library, a series of functions for using LabWindows/CVI with National Instruments DAQ hardware, is included with the NI-DAQ software kit. The LabWindows/CVI Data Acquisition Library is functionally equivalent to the NI-DAQ software.

VirtualBench features VIs that combine DAQ products, software, and your computer to create a standalone instrument with the added benefit of the processing, display, and storage capabilities of your computer. VirtualBench instruments load and save waveform data to disk in the same forms that can be used in popular spreadsheet programs and word processors. VirtualBench features report generation and printing capabilities.

Using ComponentWorks, LabVIEW, LabWindows/CVI, or VirtualBench software will greatly reduce the development time for your data acquisition and control application.

## NI-DAQ Driver Software

The NI-DAQ driver software is included at no charge with all National Instruments DAQ hardware. NI-DAQ is not packaged with signal conditioning or accessory products. NI-DAQ has an extensive library of functions that you can call from your application programming environment. These functions include routines for analog input (A/D conversion), buffered data acquisition (high-speed A/D conversion), analog output (D/A conversion), waveform generation (timed D/A conversion), digital I/O, counter/timer operations, SCXI, triggering, calibration, messaging, and acquiring data to extended memory.

NI-DAQ has both high-level DAQ I/O functions for maximum ease of use and low-level DAQ I/O functions for maximum flexibility and performance. Examples of high-level functions are streaming data to disk or acquiring a certain number of data points. An example of a low-level function is writing directly to registers on the DAQ device. NI-DAQ does not sacrifice the performance of National Instruments

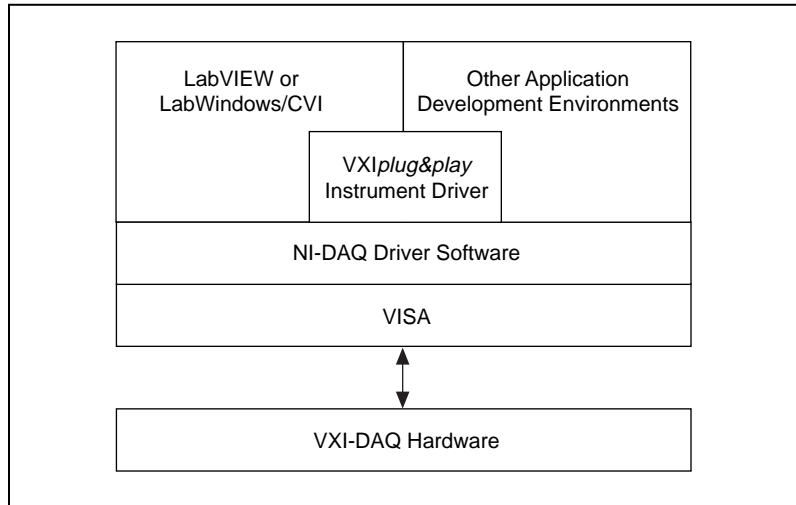


DAQ devices because it lets multiple devices operate at their peak performance.

NI-DAQ also internally addresses many of the complex issues between the computer and the DAQ hardware such as programming interrupts and DMA controllers. NI-DAQ maintains a consistent software interface between its different versions so that you can change platforms with minimal modifications to your code.

## **VXI*plug&play* Instrument Drivers**

National Instruments distributes VXI*plug&play* instrument drivers free of charge. VXI*plug&play* instrument drivers are one level above the NI-DAQ device driver and contain high-level software functions whose architecture is specified by the VXI*plug&play* Systems Alliance. The VXI*plug&play* standards increase interoperability with other vendors, and ensure that drivers are designed and presented in a consistent fashion that facilitates ease of use. Refer to Figure 1-1 to see the relationship between your software components.



**Figure 1-1.** The Relationship between the Programming Environment, Your Instrument Driver, and Your VXI-DAQ Hardware

## Optional Equipment

National Instruments offers a variety of products to use with your VXI-MIO Series module, including cables, connector blocks, and other accessories, as follows:

- Cables and cable assemblies, shielded and ribbon
- Connector blocks
- SCXI modules and accessories for isolating, amplifying, exciting, and multiplexing signals for relays and analog output. With SCXI you can condition and acquire up to 3072 channels.
- Low channel count signal conditioning modules, boards, and accessories, including conditioning for strain gauges and RTDs, simultaneous sample and hold, and relays

For more specific information about these products, refer to your National Instruments catalogue or call the office nearest you.

## Custom Cabling

---

Mating connectors and a backshell kit for making custom 96-pin cables for your VXI-MIO Series module are available from National Instruments.

If you want to develop your own cable, however, the following guidelines may be useful:

- For the analog input signals, shielded twisted-pair wires for each signal yields the best results, assuming that you use differential inputs. Tie the shield for each signal pair to the ground reference at the source.
- You should route the analog lines separately from the digital lines.
- When using a cable shield, use separate shields for the analog and digital halves of the cable. Failure to do so results in noise coupling into the analog signals from transient digital signals.

## Unpacking

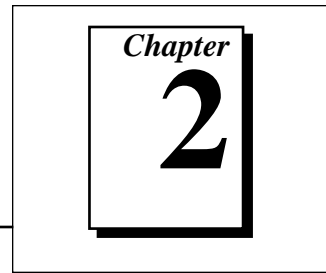
---

Your VXI-MIO Series module is shipped in an antistatic package to prevent electrostatic damage to the module. Electrostatic discharge can damage several components on the module. To avoid such damage in handling the module, take the following precautions:

- Ground yourself via a grounding strap or by holding a grounded object.
- Touch the antistatic package to a metal part of your VXIbus chassis before removing the module from the package.
- Remove the module from the package and inspect the module for loose components or any other sign of damage. Notify National Instruments if the module appears damaged in any way. *Do not* install a damaged module into your VXIbus chassis.
- *Never* touch the exposed pins of connectors.

# Configuration and Installation

---



This chapter explains how to configure and install your VXI-MIO Series module.

## Module Configuration

---

The VXI-MIO Series modules are software-configurable, except for the VXIbus logical address. You must perform two types of configuration on the VXI-MIO Series modules—bus-related configuration and data acquisition-related configuration. Bus-related configuration includes setting the VXIbus logical address, VXIbus address space (**A24** versus **A32**), VXIbus interrupt levels, and amount of VXIbus address space required. Data acquisition-related configuration, explained in Chapter 3, *Hardware Overview*, includes such settings as analog input polarity and range, analog output reference source, and other settings.

### VXIbus Logical Address

Each module in a VXIbus system is assigned a unique number between 0 and 254. This 8-bit number, called the logical address, defines the base address for the VXIbus configuration registers located on the module. With unique logical addresses, each VXIbus module in the system is assigned 64 bytes of configuration space in the upper 16 KB of the A16 address space.

Logical address 0 is reserved for the Resource Manager in the VXIbus system. Because the VXI-MIO Series modules cannot act as a Resource Manager, do not configure the VXI-MIO Series modules with a logical address of 0. The factory-default logical address for the VXI-MIO-64E-1 is 3 and for the VXI-MIO-64XE-10 is 2.

Some VXIbus modules have dynamically configurable logical addresses. These modules have an initial logical address of hex FF or decimal 255, which indicates that they can be dynamically configured.

Your VXI-MIO Series module does not support dynamic configuration of its logical address.

Ensure that no other statically configurable VXIbus modules have the same logical address as the VXI-MIO Series module. If they do, change the logical address setting of either the VXI-MIO Series module or the other module so that every module in the system has a different associated logical address.

To change the logical address of the VXI-MIO Series modules, modify the setting of the 8-bit DIP switch labeled LOGICAL ADDRESS SWITCH (U3 for the VXI-MIO-64E-1 and U73 for the VXI-MIO-64XE-10). The down position of the DIP switch corresponds to a logic value of 0 and the up position corresponds to a logic value of 1.

See Figures 2-1 and 2-2 for the VXI-MIO Series parts locator diagrams.

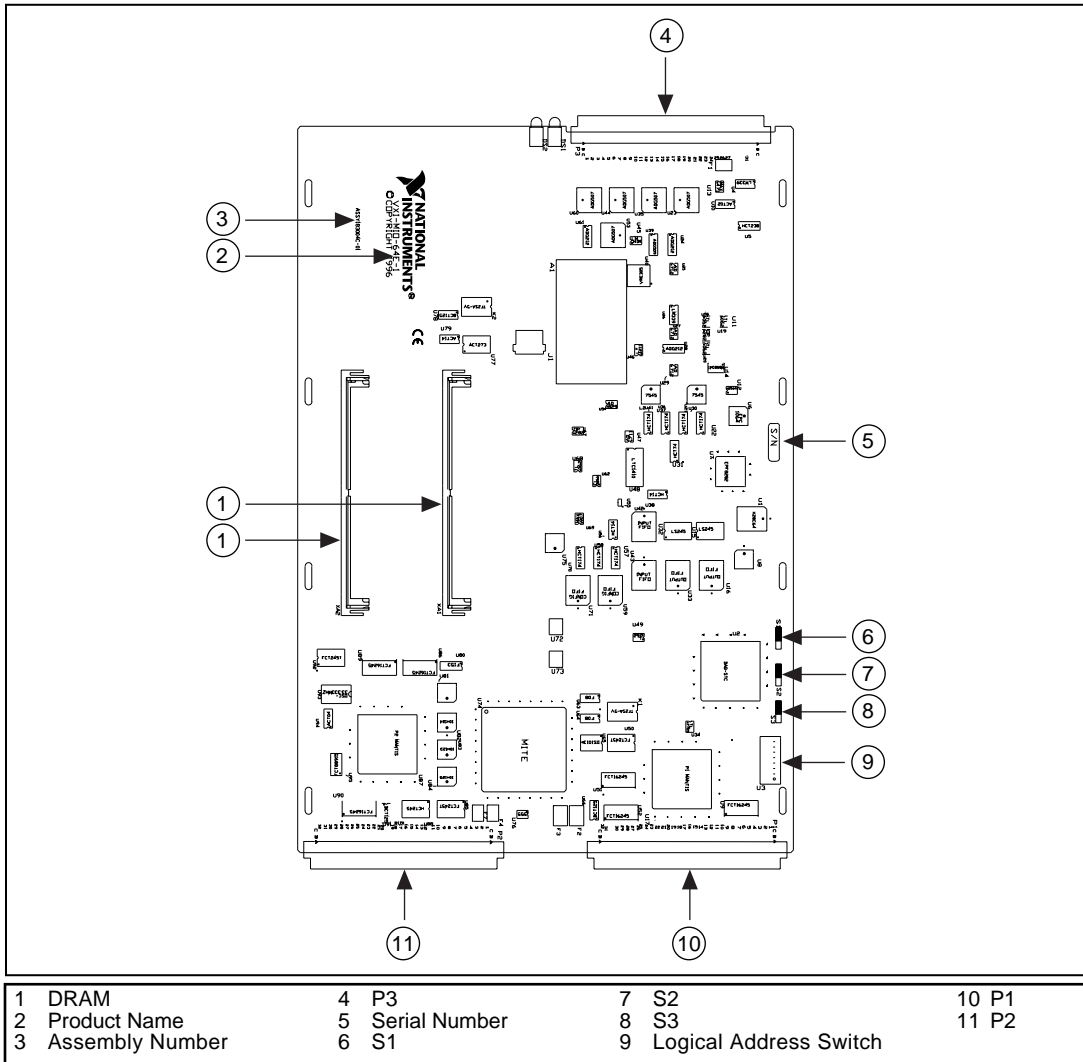


Figure 2-1. VXI-MIO-64E-1 Parts Locator Diagram

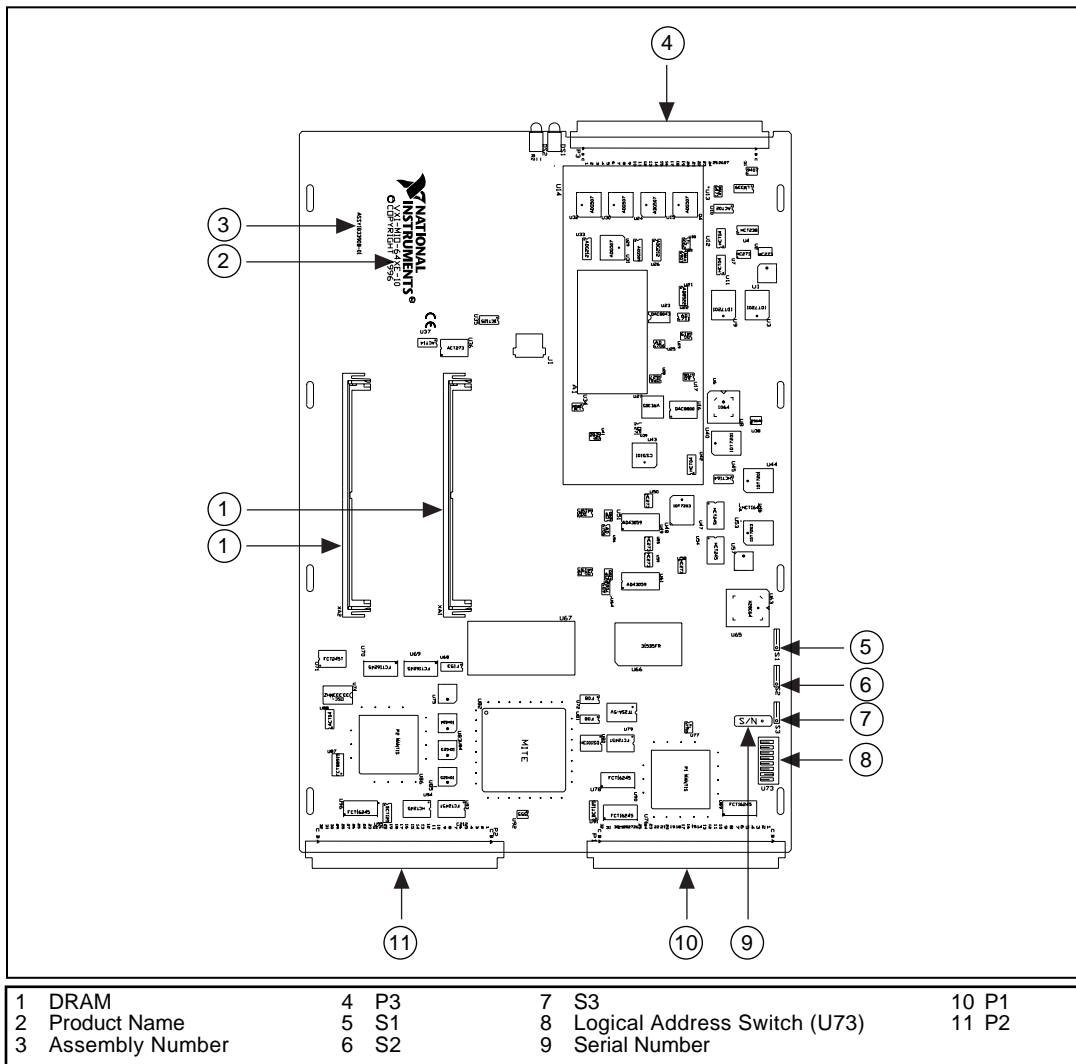
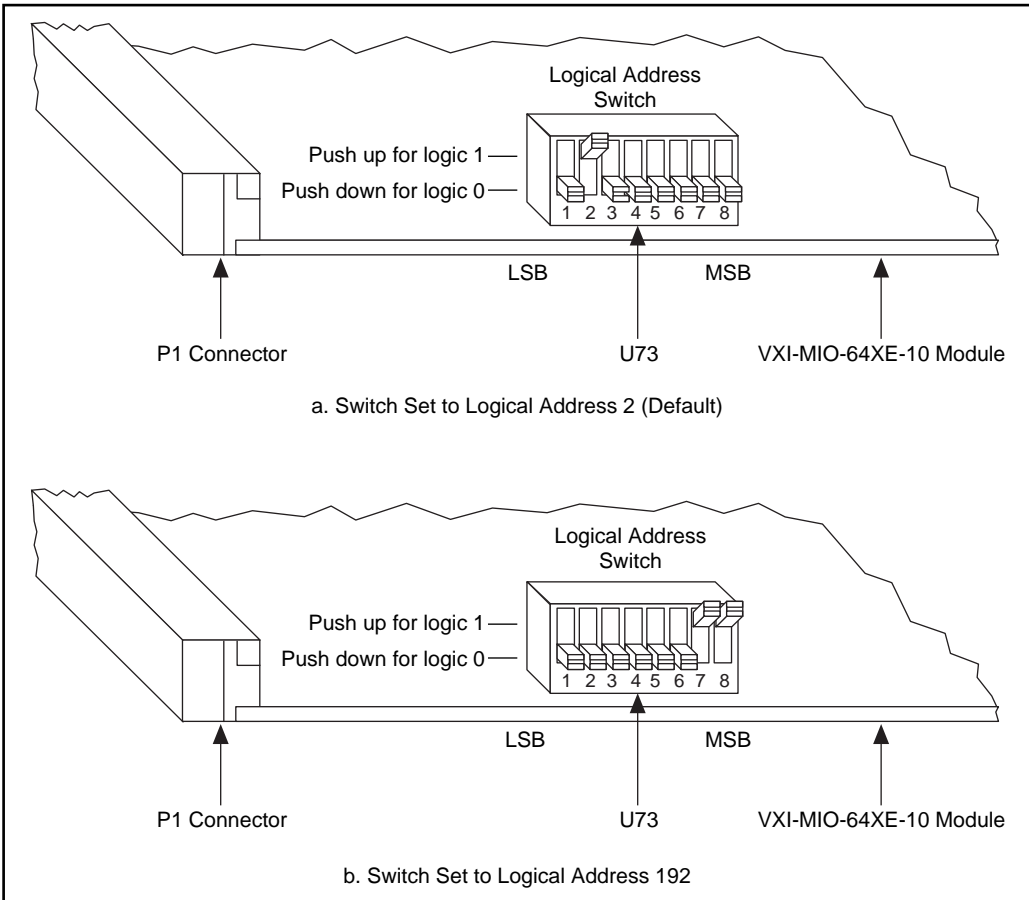


Figure 2-2. VXI-MIO-64XE-10 Block Diagram

Figure 2-3 shows the VXI-MIO-64XE-10 switch settings for logical address 2 and 192.



**Figure 2-3.** VXI-MIO-64XE-10 Logical Address Selection

## SIMM Size

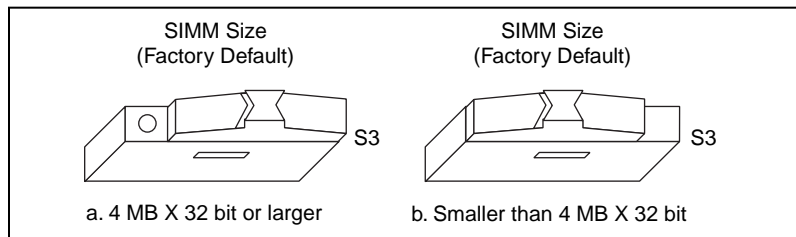
Each VXI-MIO module can accommodate up to two 1.35 in. DRAM SIMMs. Table 2-1 lists the SIMMs you can use. You can use 32-bit or 36-bit SIMMs since DRAM parity is not required. Because the VXI-MIO module supports only one organization at a time, all SIMMs installed must be of the same type. Use bank 0 first when installing the SIMMs, so that you can install up to 64 MB. The VXI-MIO module supports DRAM speeds of 80 ns or faster.

Use switch S3 to select the size of each SIMM. The SIMM sockets are accessible only by removing the component right side cover, but S3 is



accessible with the cover on. To access the SIMM sockets, perform the following steps:

1. Remove the four screws on the top, the four screws on the bottom, and the three screws on the right-side cover of the metal enclosure.
2. If the SIMMs are 4 MB x 32 bit or larger, set S3 as shown in Figure 2-4a.
3. For SIMMs smaller than 4 MB x 32 bit, set S3 as shown in Figure 2-4b.



**Figure 2-4.** SIMM Size Configuration

Refer to Table 2-1 to properly adjust the switch (ON or OFF) for all supported DRAM configurations. Many of the DRAM options are available from National Instruments.

**Table 2-1.** VXI-MIO Series DRAM Configuration

Bank 0	Bank 1	Total DRAM	National Instruments Option	Switch Setting of S3
—	—	0	—	—
256 KB x 32 bit or 256 KB x 36 bit	—	1 MB	—	ON
256 KB x 32 bit or 256 KB x 36 bit	256 KB x 32 bit or 256 KB x 36 bit	2 MB	—	ON
512 KB x 32 bit or 512 KB x 36 bit	—	2 MB	—	ON
512 KB x 32 bit or 512 KB x 36 bit	512 KB x 32 bit or 512 KB x 36 bit	4 MB	—	ON

**Table 2-1.** VXI-MIO Series DRAM Configuration (Continued)

<b>Bank 0</b>	<b>Bank 1</b>	<b>Total DRAM</b>	<b>National Instruments Option</b>	<b>Switch Setting of S3</b>
1 MB x 32 bit or 1 MB x 36 bit	—	4 MB	Yes	ON
1 MB x 32 bit or 1 MB x 36 bit	1 MB x 32 bit or 1 MB x 36 bit	8 MB	—	ON
2 MB x 32 bit or 2 MB x 36 bit	—	8 MB	Yes	ON
2 MB x 32 bit or 2 MB x 36 bit	2 MB x 32 bit or 2 MB x 36 bit	16 MB	—	ON
4 MB x 32 bit or 4 MB x 36 bit	—	16 MB	Yes	OFF
4 MB x 32 bit or 4 MB x 36 bit	4 MB x 32 bit or 4 MB x 36 bit	32 MB	—	OFF
8 MB x 32 bit or 8 MB x 36 bit	—	32 MB	Yes	OFF
8 MB x 32 bit or 8 MB x 36 bit	8 MB x 32 bit or 8 MB x 36 bit	64 MB	Yes	OFF

## Load USER/FACTORY Configuration

The VXI-MIO module has an onboard EEPROM, which stores default register values that are loaded at power-on. The EEPROM is divided into two halves—a factory-configuration half, and a user-configuration half. Both halves were factory configured with the same configuration values so you can modify the user-configurable half, while the factory-configured half stores a back-up of the factory settings.

Use switch S2 to control the operation of the EEPROM. The switch causes the VXI-MIO module to boot off the factory-configured half instead of the user-modified settings. This is useful in the event that the user-configured half of the EEPROM becomes corrupted in such a way that the VXI-MIO module boots to an unusable state. Refer to Figure 2-5 for configuration settings.

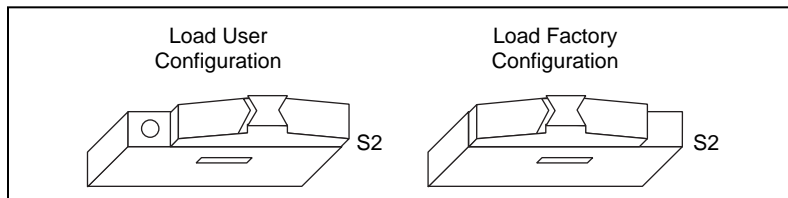


Figure 2-5. Load User/Factory Configuration

## Protect/Change Factory Configuration

Use switch S1 to change the factory-default configuration settings by permitting writes to the factory settings section of the EEPROM. This switch serves as a safety measure and should not be needed under normal circumstances. When this switch is off (its default setting) the factory configuration of the EEPROM is protected, so any writes to the factory area will be ignored. Refer to Figure 2-6 for configuration settings.

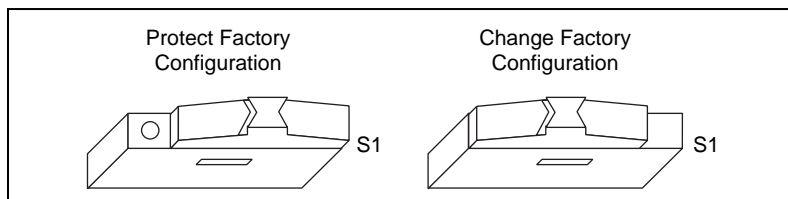


Figure 2-6. Protect/Change Factory Configuration

## Hardware Installation

This section contains general installation instructions for the VXI-MIO Series modules. Consult your VXIbus mainframe user manual or technical reference manual for specific instructions and warnings.

1. Plug in your mainframe before installing your VXI module. The power cord grounds the mainframe and protects it from electrical damage while you install the module. *Do not* turn on the mainframe.



**Warning:** *To protect yourself and your mainframe from electrical hazards, DO NOT turn the mainframe on until you are finished installing your VXI-MIO Series module.*

2. Remove or open any doors or covers blocking access to the mainframe slots.
3. If you are installing your VXI-DAQ module into a D-size mainframe, first install an appropriate support for C-size modules in D-size mainframes.
4. Insert the VXI-DAQ module in the slot you have selected:
  - a. Align the top and bottom of the module with the card-edge guides inside the mainframe.
  - b. Slowly push the VXI-DAQ module straight into the slot until its plug connectors are resting on the backplane receptacle connectors.
  - c. Using evenly distributed pressure, slowly press the VXI-DAQ module straight in until it seats in the expansion slot.
  - d. Make sure the front panel of the VXI-DAQ module is even with the front panel of the mainframe.
5. Tighten the retaining screws on the top and bottom edges of the front panel.
6. Replace or close any doors or covers to the mainframe.

## Software Installation

---

Regardless of your programming methodology, proper operation of your VXI-MIO module depends on the correct installation of VISA on your VXIbus controller.

If VISA is not installed, you must get this information from your VXIbus controller manufacturer. If you have a National Instruments VXIbus controller, contact our sales department for information on obtaining the NI-VISA software at no charge.

If you are using NI-DAQ, refer to your release notes. Find the installation section for your operating system and follow the instructions given there.

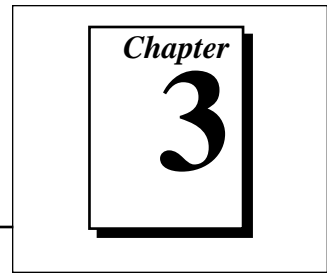
If you are using LabVIEW, refer to your LabVIEW release notes to install your application software. After you have installed LabVIEW, refer to the NI-DAQ release notes and follow the instructions given there for your operating system and LabVIEW.

If you are using LabWindows/CVI, refer to your LabWindows/CVI release notes to install your application software. After you have installed LabWindows/CVI, refer to the NI-DAQ release notes and follow the instructions given there for your operating system and LabWindows/CVI.

If you are using ComponentWorks, Measure, or VirtualBench application software, refer to your documentation for installation instructions.

# Hardware Overview

---



This chapter presents an overview of the hardware functions on your VXI-MIO Series module.

Figure 3-1 shows the block diagram for the VXI-MIO Series modules.



# Analog Input

The analog input section of each VXI-MIO Series module is software configurable. You can select different analog input configurations through application software designed to control the VXI-MIO Series modules. The following sections describe in detail each of the analog input categories.

## Input Mode

The VXI-MIO Series modules have three different input modes—nonreferenced single-ended (NRSE) input, referenced single-ended (RSE) input, and differential (DIFF) input. The single-ended input configurations use up to 64 channels. The DIFF input configuration uses up to 32 channels. Input modes are programmed on a per channel basis for multimode scanning. For example, you can configure the circuitry to scan 48 channels—16 differentially-configured channels and 32 single-ended channels. Table 3-1 describes the three input configurations.

**Table 3-1.** Available Input Configurations for the VXI-MIO Series

Configuration	Description
DIFF	A channel configured in DIFF mode uses two analog input channel lines. One line connects to the positive input of the module programmable gain instrumentation amplifier (PGIA), and the other connects to the negative input of the PGIA.
RSE	A channel configured in RSE mode uses one analog input channel line, which connects to the positive input of the PGIA. The negative input of the PGIA is internally tied to analog input ground (AIGND).
NRSE	A channel configured in NRSE mode uses one analog input channel line, which connects to the positive input of the PGIA. The negative input of the PGIA connects to the analog input sense (AISENSE) input.



For more information about the three types of input configuration, refer to the *Analog Input Signal Connections* section in Chapter 4, *Signal Connections*, which contains diagrams showing the signal paths for the three configurations.

## Input Polarity and Input Range

### ◆ VXI-MIO-64E-1

This module has two input polarities—unipolar and bipolar. The VXI-MIO-64E-1 has a unipolar input range of 10 V (0 to 10 V) and a bipolar input range of 10 V ( $\pm 5$  V). You can program polarity and range settings on a per channel basis so that you can configure each input channel uniquely.

The software-programmable gain on this module increases its overall flexibility by matching the input signal ranges to those that the ADC can accommodate. The VXI-MIO-64E-1 has gains of 0.5, 1, 2, 5, 10, 20, 50, and 100 and is suited for a wide variety of signal levels. With the proper gain setting, you can use the full resolution of the ADC to measure the input signal. Table 3-2 shows the overall input range and precision according to the configuration and gain used.

**Table 3-2.** Actual Range and Measurement Precision

Range Configuration	Gain	Actual Input Range	Precision <sup>1</sup>
0 to +10 V	1.0	0 to +10 V	2.44 mV
	2.0	0 to +5 V	1.22 mV
	5.0	0 to +2 V	488.28 $\mu$ V
	10.0	0 to +1 V	244.14 $\mu$ V
	20.0	0 to +500 mV	122.07 $\mu$ V
	50.0	0 to +200 mV	48.83 $\mu$ V
	100.0	0 to +100 mV	24.41 $\mu$ V

**Table 3-2.** Actual Range and Measurement Precision (Continued)

Range Configuration	Gain	Actual Input Range	Precision <sup>1</sup>
-5 to +5 V	0.5	-10 to +10 V	4.88 mV
	1.0	-5 to +5 V	2.44 mV
	2.0	-2.5 to +2.5 V	1.22 mV
	5.0	-1 to +1 V	488.28 $\mu$ V
	10.0	-500 to +500 mV	244.14 $\mu$ V
	20.0	-250 to +250 mV	122.07 $\mu$ V
	50.0	-100 to +100 mV	48.83 $\mu$ V
	100.0	-50 to +50 mV	24.41 $\mu$ V
<p><sup>1</sup> The value of 1 LSB of the 12-bit ADC; that is, the voltage increment corresponding to a change of one count in the ADC 12-bit count.</p> <p><b>Note:</b> See Appendix A, Specifications, for absolute maximum ratings.</p>			

◆ VXI-MIO-64XE-10

This module has two input polarities—unipolar and bipolar. The VXI-MIO-64XE-10 has a unipolar input range of 10 V (0 to 10 V) and a bipolar input range of 20 V ( $\pm 10$  V). You can program polarity and range settings on a per channel basis so that you can configure each input channel uniquely.



**Note:** *You can calibrate your VXI-MIO-64XE-10 analog input circuitry for either a unipolar or bipolar polarity. If you mix unipolar and bipolar channels in your scan list and you are using NI-DAQ, then NI-DAQ will load the calibration constants appropriate to the polarity for which analog input channel 0 is configured.*

The software-programmable gain on this module increases its overall flexibility by matching the input signal ranges to those that the ADC can accommodate. The VXI-MIO-64XE-10 has gains of 1, 2, 5, 10, 20, 50, and 100. These gains are suited for a wide variety of signal levels. With the proper gain setting, you can use the full resolution of the ADC to measure the input signal. Table 3-3 shows

the overall input range and precision according to the configuration and gain used.

**Table 3-3.** Actual Range and Measurement Precision, VXI-MIO-64XE-10

Range Configuration	Gain	Actual Input Range	Precision <sup>1</sup>
0 to +10 V	1.0	0 to +10 V	152.59 $\mu$ V
	2.0	0 to +5 V	76.29 $\mu$ V
	5.0	0 to +2 V	30.52 $\mu$ V
	10.0	0 to +1 V	15.26 $\mu$ V
	20.0	0 to +500 mV	7.63 $\mu$ V
	50.0	0 to +200 mV	3.05 $\mu$ V
	100.0	0 to 100 mV	1.53 $\mu$ V
-10 to +10 V	1.0	-10 to +10 V	305.18 $\mu$ V
	2.0	-5 to +5 V	152.59 $\mu$ V
	5.0	-2 to +2 V	61.04 $\mu$ V
	10.0	-1 to +1 V	30.52 $\mu$ V
	20.0	-500 to +500 mV	15.26 $\mu$ V
	50.0	-200 to +200 mV	6.10 $\mu$ V
	100.0	-100 to +100 mV	3.05 $\mu$ V
<p><sup>1</sup> The value of 1 LSB of the 12-bit ADC; that is, the voltage increment corresponding to a change of one count in the ADC 12-bit count.</p> <p><b>Note:</b> See Appendix A, Specifications, for absolute maximum ratings.</p>			

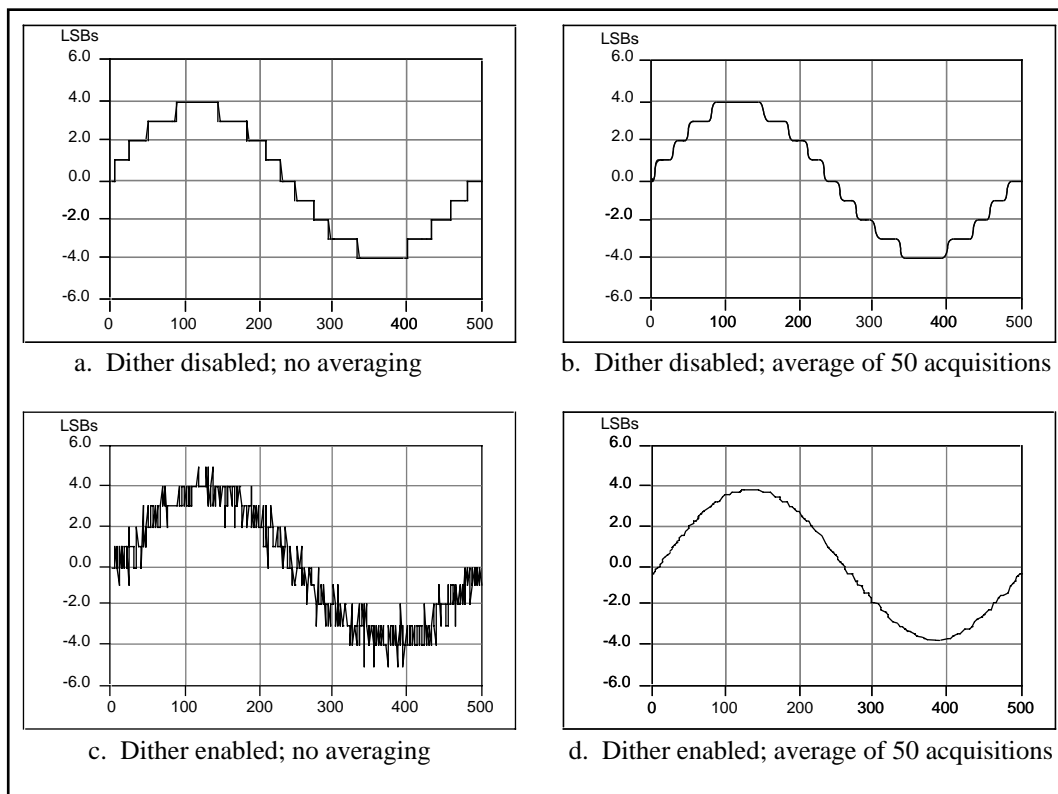
## Considerations for Selecting Input Ranges

Which input polarity and range you select depends on the expected range of the incoming signal. A large input range can accommodate a large signal variation but reduces the voltage resolution. Choosing a smaller input range improves the voltage resolution but may result in the input signal going out of range. For best results, you should match the input range as closely as possible to the expected range of the input signal. For example, if you are certain the input signal will not be negative (below 0 V), unipolar input polarity is best. However, if the signal is negative or equal to zero, using unipolar input polarity will yield inaccurate readings.

## Dither

When you enable dither, you add approximately 0.5 LSB rms of white Gaussian noise to the signal to be converted by the ADC. This addition is useful for applications involving averaging to increase the resolution of your VXI-MIO Series module, as in calibration or spectral analysis. In such applications, noise modulation is decreased and differential linearity is improved by the addition of the dither. When taking DC measurements, such as when checking the module calibration, you should enable dither and average about 1,000 points to take a single reading. This process removes the effects of quantization and reduces measurement noise, resulting in improved resolution. For high-speed applications not involving averaging or spectral analysis, you may want to disable the dither to reduce noise. You enable and disable the dither circuitry through software.

Figure 3-2 illustrates the effect of dither on signal acquisition. Figure 3-2a shows a small ( $\pm 4$  LSB) sine wave acquired with dither off. The quantization of the ADC is clearly visible. Figure 3-2b shows what happens when 50 such acquisitions are averaged together; quantization is still plainly visible. In Figure 3-2c, the sine wave is acquired with dither on. There is a considerable amount of noise visible. But averaging about 50 such acquisitions, as shown in Figure 3-2d, eliminates both the added noise and the effects of quantization. Dither has the effect of forcing quantization noise to become a zero-mean random variable rather than a deterministic function of the input signal.



**Figure 3-2.** Dither

You cannot disable dither on the VXI-MIO-64XE-10. This is because the ADC resolution is so fine that the ADC and the PGIA inherently produce almost 0.5 LSB rms of noise. This is equivalent to having a dither circuit that is always enabled.

## Multichannel Scanning Considerations

All of the VXI-MIO Series modules can scan multiple channels at the same maximum rate as their single-channel rate; however, you should pay careful attention to the settling times for each of the modules. Refer to Appendix A, *Specifications*, for a complete listing of settling times for each of the VXI-MIO Series modules.

When scanning among channels at various gains, the settling times may increase. When the PGIA switches to a higher gain, the signal on the previous channel may be well outside the new, smaller range. For instance, suppose a 4 V signal is connected to channel 0 and a 1 mV

signal is connected to channel 1, and suppose the PGIA is programmed to apply a gain of one to channel 0 and a gain of 100 to channel 1. When the multiplexer switches to channel 1 and the PGIA switches to a gain of 100, the new full-scale range is 100 mV (if the ADC is in unipolar mode).

The approximately 4 V step from 4 V to 1 mV is 4,000% of the new full-scale range. For a 12-bit module to settle within 0.012% (120 ppm or 1/2 LSB) of the 100 mV full-scale range on channel 1, the input circuitry has to settle to within 0.0003% (3 ppm or 1/80 LSB) of the 4 V step. It may take as long as 100  $\mu$ s for the circuitry to settle to this accuracy. For a 16-bit module to settle within 0.0015% (15 ppm or 1 LSB) of the 100 mV full-scale range on channel 1, the input circuitry has to settle within 0.00004% (0.4 ppm or 1/400 LSB) of the 4 V step. It may take as long as 200  $\mu$ s for the circuitry to settle to this accuracy. In general, this extra settling time is not needed when the PGIA is switching to a lower gain.

Settling times can also increase when scanning high-impedance signals due to a phenomenon called *charge injection*, where the analog input multiplexer injects a small amount of charge into each signal source when that source is selected. If the impedance of the source is not low enough, the effect of the charge—a voltage error—will not have decayed by the time the ADC samples the signal. For this reason, you should keep source impedances under 1 k $\Omega$  to perform high-speed scanning.

Multichannel scanning is not recommended unless sampling rates are low enough or it is necessary to sample several signals as near to simultaneously as possible. Single-channel scanning yields more accurate settling times. The data is much more accurate and channel-to-channel independent if you acquire data from each channel independently (for example, 100 points from channel 0, then 100 points from channel 1, then 100 points from channel 2, and so on).

## Analog Output

---

- ◆ VXI-MIO-64E-1  
This module supplies two channels of analog output voltage at the I/O connector. The reference and range for the analog output circuitry is software-selectable. The reference can be either internal or external, whereas the range can be either bipolar or unipolar.
- ◆ VXI-MIO-64XE-10  
This module supplies two channels of analog output voltage at the I/O connector. The range is bipolar or unipolar.

### Analog Output Reference Selection

- ◆ VXI-MIO-64E-1  
You can connect each D/A converter (DAC) to this module's internal reference of 10 V or to the external reference signal connected to the external reference (EXTREF) pin on the I/O connector. This signal applied to EXTREF should be between -10 and +10 V. You do not need to configure both channels for the same mode.

### Analog Output Polarity Selection

Selecting a bipolar range for a particular DAC means that any data written to that DAC will be interpreted as two's complement format. In two's complement mode, data values written to the analog output channel can be either positive or negative. If you select unipolar range, data is interpreted in straight binary format. In straight binary mode, data values written to the analog output channel range must be positive.

- ◆ VXI-MIO-64E-1  
You can configure each analog output channel for either unipolar or bipolar output. A unipolar configuration has a range of 0 to  $V_{\text{ref}}$  at the analog output. A bipolar configuration has a range of  $-V_{\text{ref}}$  to  $+V_{\text{ref}}$  at the analog output.  $V_{\text{ref}}$  is the voltage reference used by the DACs in the analog output circuitry and can be either the +10 V onboard reference or an externally supplied reference between -10 and +10 V. You do not need to configure both channels for the same range.

- ◆ VXI-MIO-64XE-10

You can configure each analog output channel for either unipolar or bipolar output. A unipolar configuration has a range of 0 to 10 V at the analog output. A bipolar configuration has a range of -10 to +10 V at the analog output. You do not need to configure both channels for the same range.

## Analog Output Reglitch Selection

- ◆ VXI-MIO-64E-1

In normal operation, a DAC output will glitch whenever it is updated with a new value. The glitch energy differs from code to code and appears as distortion in the frequency spectrum. Each analog output of this module contains a reglitch circuit that generates uniform glitch energy at every code rather than large glitches at the major code transitions. This uniform glitch energy appears as a multiple of the update rate in the frequency spectrum. Notice that this reglitch circuit *does not* eliminate the glitches; it only makes them more uniform in size. Reglitching is normally disabled at startup and can be independently enabled for each channel through software.

- ◆ VXI-MIO-64XE-10

This module does not require reglitch selection.

## Analog Trigger

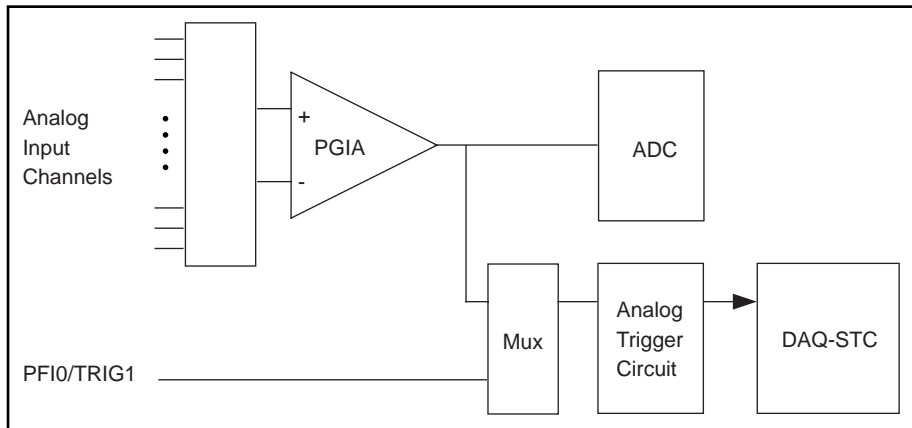
---

In addition to supporting internal software triggering and external digital triggering to initiate a data acquisition sequence, the VXI-MIO-64E-1 and VXI-MIO-64XE-10 also support analog triggering. You can configure the analog trigger circuitry to accept either a direct analog input from the PFI0/TRIG1 pin on the I/O connector or a postgain signal from the output of the PGIA, as shown in Figure 3-3. The trigger-level range for the direct analog channel is  $\pm 10$  V in 78 mV steps for the VXI-MIO-64E-1, and  $\pm 10$  V in 4.9 mV steps for the VXI-MIO-64XE-10. The range for the post-PGIA trigger selection is simply the full-scale range of the selected channel, and the resolution is that range divided by 256 for the VXI-MIO-64E-1, and divided by 4,096 for the VXI-MIO-64XE-10.





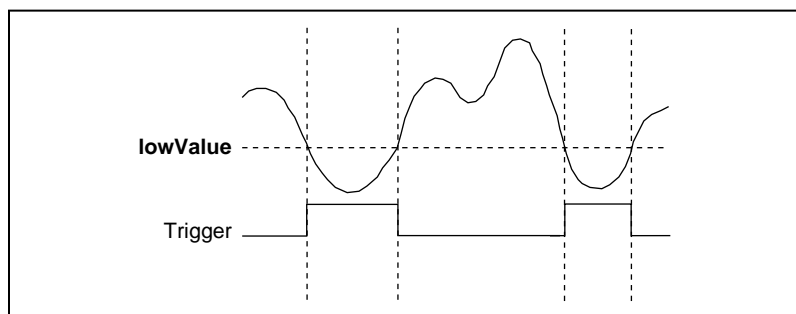
**Note:** *The PFI0/TRIG1 pin is a high-impedance input. Therefore, it is susceptible to cross-talk from adjacent pins, which can result in false triggering when the pin is left unconnected. To avoid false triggering, make sure this pin is connected to a low-impedance signal source (less than 10 k $\Omega$  source impedance) if you plan to enable this input via software.*



**Figure 3-3.** Analog Trigger Block Diagram

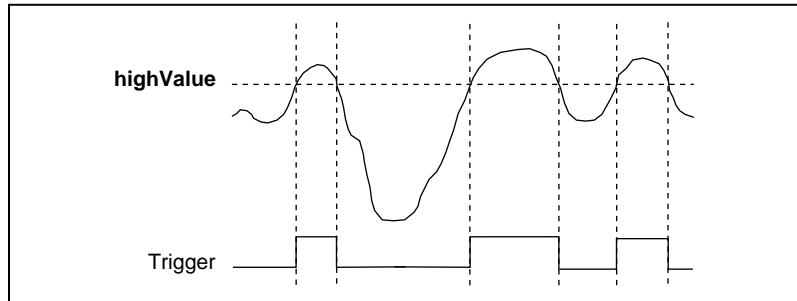
There are five analog triggering modes available, as shown in Figures 3-4 through 3-8. You can set **lowValue** and **highValue** independently in software.

In below-low-level analog triggering mode, the trigger is generated when the signal value is less than **lowValue**. **HighValue** is unused.



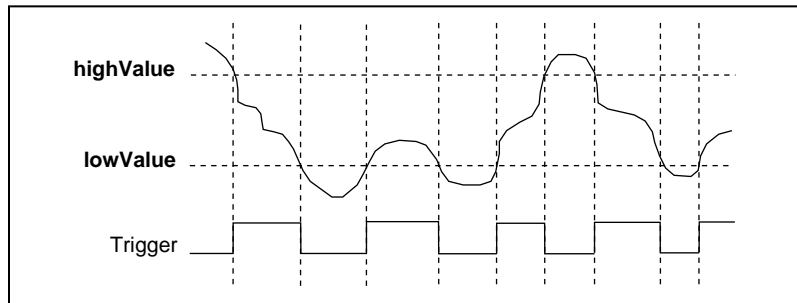
**Figure 3-4.** Below-Low-Level Analog Triggering Mode

In above-high-level analog triggering mode, the trigger is generated when the signal value is greater than **highValue**. **LowValue** is unused.



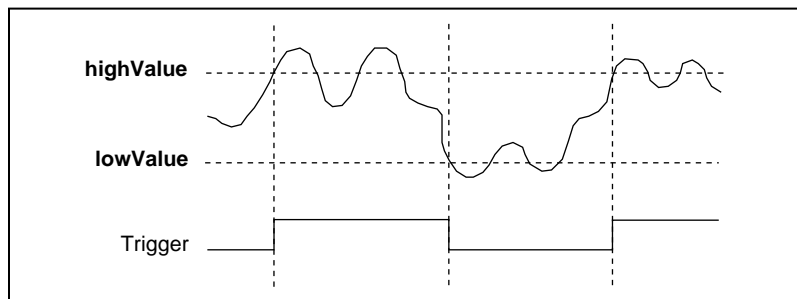
**Figure 3-5.** Above-High-Level Analog Triggering Mode

In inside-region analog triggering mode, the trigger is generated when the signal value is between the **lowValue** and the **highValue**.



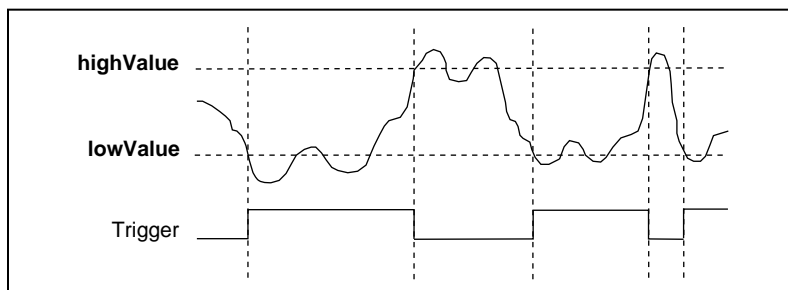
**Figure 3-6.** Inside-Region Analog Triggering Mode

In high-hysteresis analog triggering mode, the trigger is generated when the signal value is greater than **highValue**, with the hysteresis specified by **lowValue**.



**Figure 3-7.** High-Hysteresis Analog Triggering Mode

In low-hysteresis analog triggering mode, the trigger is generated when the signal value is less than **lowValue**, with the hysteresis specified by **highValue**.



**Figure 3-8.** Low-Hysteresis Analog Triggering Mode

The analog trigger circuit generates an internal digital trigger based on the analog input signal and the user-defined trigger levels. This digital trigger can be used by any of the timing sections of the DAQ-STC, including the analog input, analog output, and general-purpose counter/timer sections. For example, the analog input section can be configured to acquire  $n$  scans after the analog input signal crosses a specific threshold. As another example, the analog output section can be configured to update its outputs whenever the analog input signal crosses a specific threshold.

## Digital I/O

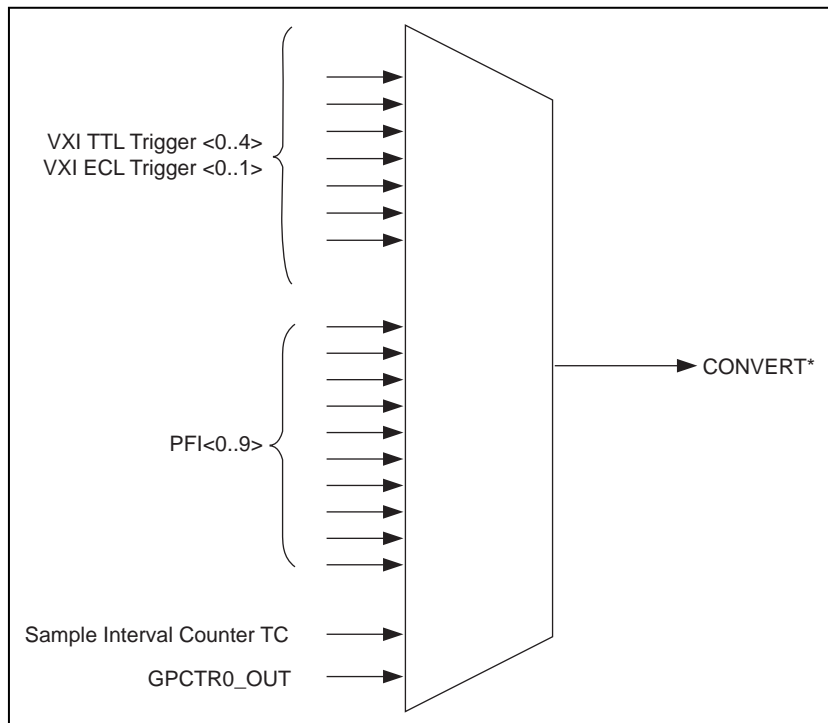
The VXI-MIO Series modules contain eight lines of digital I/O for general-purpose use. You can individually configure each line through software for either input or output. At system startup and reset, the digital I/O ports are all high impedance.

The hardware up/down control for general-purpose counters 0 and 1 are connected onboard to DIO6 and DIO7, respectively. Thus, you can use DIO6 and DIO7 to control the general-purpose counters. The up/down control signals are input only and do not affect the operation of the DIO lines.

# Timing Signal Routing

The DAQ-STC provides a very flexible interface for connecting timing signals to other modules or external circuitry. Your VXI-MIO Series module uses the VXIbus trigger for interconnecting timing signals between modules and the Programmable Function Input (PFI) pins on the I/O connector for connecting to external circuitry. These connections are designed to enable the VXI-MIO Series module to both control and be controlled by other modules and circuits.

There are a total of 13 timing signals internal to the DAQ-STC that can be controlled by an external source. These timing signals can also be controlled by signals generated internally to the DAQ-STC, and these selections are fully software-configurable. For example, the signal routing multiplexer for controlling the CONVERT\* signal is shown in Figure 3-9.



**Figure 3-9.** CONVERT\* Signal Routing

This figure shows that CONVERT\* can be generated from a number of sources, including the external signals VXI TTL Trig<0..4>, VXI ECL Trig<0..1>, and PFI<0..9>, and the internal signals Sample Interval Counter TC and GPCTR0\_OUT.

Many of these timing signals are also available as outputs on the VXIbus trigger, as indicated in the *VXIbus Triggers* section later in this chapter, and on the PFI pins, as indicated in Chapter 4, *Signal Connections*.

## Programmable Function Inputs

The 10 PFIs are connected to the signal routing multiplexer for each timing signal, and software can select one of the PFIs as the external source for a given timing signal. It is important to note that any of the PFIs can be used as an input by any of the timing signals and that multiple timing signals can use the same PFI simultaneously. This flexible routing scheme reduces the need to change physical connections to the I/O connector for different applications.

You can also individually enable each of the PFI pins to output a specific internal timing signal. For example, if you need the UPDATE\* signal as an output on the I/O connector, your software can turn on the output driver for the PFI5/UPDATE\* pin.

## Module and Timebase

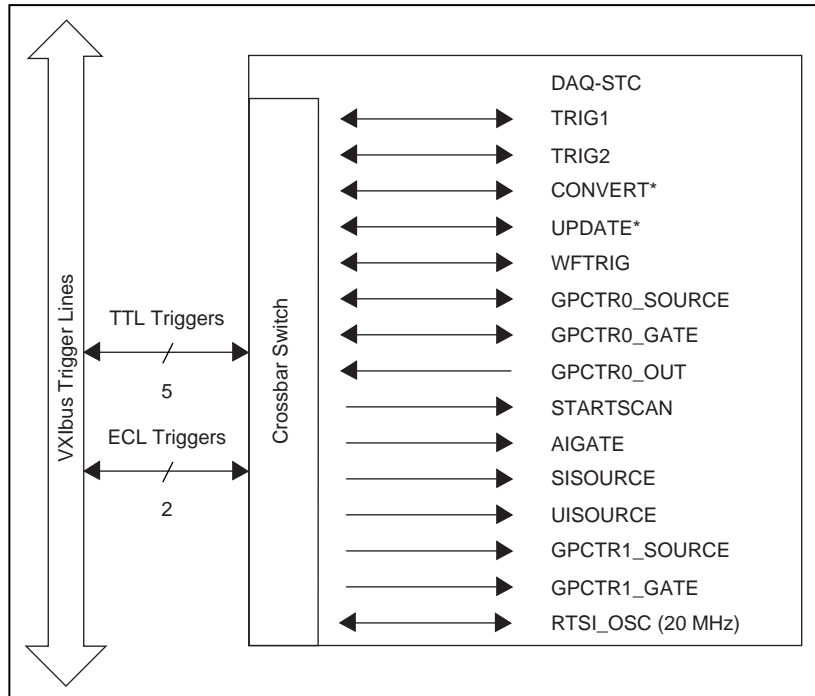
Many functions that the VXI-MIO Series modules perform require a frequency timebase to generate the necessary timing signals for controlling A/D conversions, DAC updates, or general-purpose signals at the I/O connector.

A VXI-MIO Series module can use either its internal 20 MHz timebase, which is phase-locked to CLK10 on the VXIbus, or a timebase received over a VXIbus trigger line. In addition, if you configure the module to use the internal timebase, you can also program the module to drive its internal timebase over the VXIbus trigger line to another module that is programmed to receive this timebase signal. This clock source, whether local or from the VXIbus trigger line, is used directly by the module as the primary frequency source. The default configuration at startup is to use the internal timebase without driving the VXIbus trigger line timebase signal. This timebase is software-selectable.

## VXIbus Triggers

The VXI-MIO Series modules can use up to seven of the 10 VXIbus trigger lines to coordinate sampling and/or triggering across multiple modules.

When using NI-DAQ software, the VXIbus trigger lines are functionally equivalent to RTSI bus trigger lines.



**Figure 3-10.** VXIbus Trigger Utilization

Refer to the *Timing Connections* section of Chapter 4 for a description of the signals shown in Figure 3-10.

# Signal Connections

---

Chapter

4

This chapter describes how to make input and output signal connections to your VXI-MIO Series module via the module I/O connector.

The VXI-MIO-64E-1 and VXI-MIO-64XE-10 I/O connector has 96 pins that you can connect to 68-pin accessories with the SH966868 shielded cable. Refer to Appendix B, *Optional Cable Connector Descriptions*, for more information.

## I/O Connector

---

Figure 4-1 shows the 96-pin I/O connector pin assignments on the VXI-MIO-64E-1 and VXI-MIO-64XE-10. A signal description follows the connector pinouts.



**Warning:** *Connections that exceed any of the maximum ratings of input or output signals on the VXI-MIO Series modules can damage the module. Maximum input ratings for each signal are given in Tables 4-1 and 4-2 in the Protection column. National Instruments is NOT liable for any damages resulting from signal connections that exceed these maximum ratings.*

	A		B		C
PFI9/GPCTR0_GATE	32	GPCTR0_OUT	32	FREQ_OUT	32
PFI6/WFTRIG	31	PFI7/STARTSCAN	31	PFI8/GPCTR0_SOURCE	31
PFI4/GPCTR1_GATE	30	GPCTR1_OUT	30	PFI5/UPDATE*	30
PFI1/TRIG2	29	PFI2/CONVERT*	29	PFI3/GPCTR1_SOURCE	29
+5 V	28	EXTSTROBE*	28	PFI0/TRIG1	28
DIO7	27	DGND	27	SCANCLK	27
DIO2	26	DIO6	26	DIO3	26
DIO4	25	DIO1	25	DIO5	25
DAC0OUT	24	AOGND	24	DIO0	24
ACH0	23	EXTREF <sup>2</sup>	23	DAC1OUT	23
ACH9	22	ACH1	22	ACH8	22
ACH3	21	ACH10	21	ACH2	21
ACH4	20	AISENSE <sup>3</sup>	20	ACH11	20
ACH13	19	ACH5	19	ACH12	19
ACH7	18	ACH14	18	ACH6	18
ACH16	17	AIGND	17	ACH15	17
ACH25	16	ACH17	16	ACH24	16
ACH19	15	ACH26	15	ACH18	15
ACH28	14	ACH20	14	ACH27	14
ACH22	13	ACH29	13	ACH21	13
ACH31	12	ACH23	12	ACH30	12
ACH33	11	ACH40	11	ACH32	11
ACH42	10	ACH34	10	ACH41	10
AISENSE <sup>2</sup> <sub>1</sub>	9	ACH43	9	ACH35	9
ACH37	8	ACH44	8	ACH36	8
ACH46	7	ACH38	7	ACH45	7
ACH48	6	ACH47	6	ACH39	6
ACH57	5	ACH49	5	ACH56	5
ACH51	4	ACH58	4	ACH50	4
ACH60	3	ACH52	3	ACH59	3
ACH54	2	ACH61	2	ACH53	2
ACH63	1	ACH55	1	ACH62	1

<sup>1</sup> SENSE for ACH16 through ACH63  
<sup>2</sup> This pin is not connected on the VXI-MIO-64XE-10  
<sup>3</sup> SENSE for ACH0 through ACH15

**Figure 4-1.** I/O Connector Pin Assignment for the VXI-MIO-64E-1 and VXI-MIO-64XE-10



## I/O Connector Signal Descriptions

Signal Name	Reference	Direction	Description
AIGND	—	—	Analog Input Ground—These pins are the reference point for single-ended measurements and the bias current return point for differential measurements. All three ground references—AIGND, AOGND, and DGND—are connected together on your VXI-MIO Series module.
ACH<0..15>	AIGND	Input	Analog Input Channels 0 through 15—Each channel pair, ACH< <i>i</i> , <i>i</i> +8> ( <i>i</i> = 0..7), can be configured as either one differential input or two single-ended inputs.
ACH<16..63>	AIGND	Input	Analog Input Channels 16 through 63—Each channel pair, ACH< <i>i</i> , <i>i</i> +8> ( <i>i</i> = 16..23, 32..39, 48..55), can be configured as either one differential input or two single-ended inputs.
AISENSE	AIGND	Input	Analog Input Sense—This pin serves as the reference node for any of channels ACH <0..15> in NRSE configuration.
AISENSE2	AIGND	Input	Analog Input Sense—This pin serves as the reference node for any of channels ACH <16..63> in NRSE configuration.
DAC0OUT	AOGND	Output	Analog Channel 0 Output—This pin supplies the voltage output of analog output channel 0.
DAC1OUT	AOGND	Output	Analog Channel 1 Output—This pin supplies the voltage output of analog output channel 1.
EXTREF	AOGND	Input	External Reference—This is the external reference input for the analog output circuitry. This pin is <i>not</i> available on the VXI-MIO-64XE-10.
AOGND	—	—	Analog Output Ground—The analog output voltages are referenced to this node. All three ground references—AIGND, AOGND, and DGND—are connected together on your VXI-MIO Series module.
DGND	—	—	Digital Ground—This pin supplies the reference for the digital signals at the I/O connector as well as the +5 VDC supply. All three ground references—AIGND, AOGND, and DGND—are connected together on your VXI-MIO Series module.
DIO<0..7>	DGND	Input or Output	Digital I/O signals—DIO6 and 7 can control the up/down signal of general-purpose counters 0 and 1, respectively.
+5 V	DGND	Output	+5 VDC Source—These pins are fused for up to 1 A of +5 V supply. The circuit breaker is self-resetting.

Signal Name	Reference	Direction	Description (Continued)
SCANCLK	DGND	Output	Scan Clock—This pin pulses once for each A/D conversion in the scanning modes when enabled. The low-to-high edge indicates when the input signal can be removed from the input or switched to another signal.
EXTSTROBE*	DGND	Output	External Strobe—This output can be toggled under software control to latch signals or trigger events on external devices.
PFI0/TRIG1	DGND	Input	PFI0/Trigger 1—As an input, this is either one of the PFIs or the source for the hardware analog trigger. PFI signals are explained in the <i>Timing Connections</i> section later in this chapter. The hardware analog trigger is explained in the <i>Analog Trigger</i> section in Chapter 2.
		Output	As an output, this is the TRIG1 signal. In posttrigger data acquisition sequences, a low-to-high transition indicates the initiation of the acquisition sequence. In pretrigger applications, a low-to-high transition indicates the initiation of the pretrigger conversions.
PFI1/TRIG2	DGND	Input	PFI1/Trigger 2—As an input, this is one of the PFIs.
		Output	As an output, this is the TRIG2 signal. In pretrigger applications, a low-to-high transition indicates the initiation of the posttrigger conversions. TRIG2 is not used in posttrigger applications.
PFI2/CONVERT*	DGND	Input	PFI2/Convert—As an input, this is one of the PFIs.
		Output	As an output, this is the CONVERT* signal. A high-to-low edge on CONVERT* indicates that an A/D conversion is occurring.
PFI3/GPCTR1_SOURCE	DGND	Input	PFI3/Counter 1 Source—As an input, this is one of the PFIs.
		Output	As an output, this is the GPCTR1_SOURCE signal. This signal reflects the actual source connected to the general-purpose counter 1.
PFI4/GPCTR1_GATE	DGND	Input	PFI4/Counter 1 Gate—As an input, this is one of the PFIs.
		Output	As an output, this is the GPCTR1_GATE signal. This signal reflects the actual gate signal connected to the general-purpose counter 1.
GPCTR1_OUT	DGND	Output	Counter 1 Output—This output is from the general-purpose counter 1 output.

Signal Name	Reference	Direction	Description (Continued)
PFI5/UPDATE*	DGND	Input	PFI5/Update—As an input, this is one of the PFIs.
		Output	As an output, this is the UPDATE* signal. A high-to-low edge on UPDATE* indicates that the analog output primary group is being updated.
PFI6/WFTRIG	DGND	Input	PFI6/Waveform Trigger—As an input, this is one of the PFIs.
		Output	As an output, this is the WFTRIG signal. In timed analog output sequences, a low-to-high transition indicates the initiation of the waveform generation.
PFI7/STARTSCAN	DGND	Input	PFI7/Start of Scan—As an input, this is one of the PFIs.
		Output	As an output, this is the STARTSCAN signal. This pin pulses once at the start of each analog input scan in the interval scan. A low-to-high transition indicates the start of the scan.
PFI8/GPCTR0_SOURCE	DGND	Input	PFI8/Counter 0 Source—As an input, this is one of the PFIs.
		Output	As an output, this is the GPCTR0_SOURCE signal. This signal reflects the actual source connected to the general-purpose counter 0.
PFI9/GPCTR0_GATE	DGND	Input	PFI9/Counter 0 Gate—As an input, this is one of the PFIs.
		Output	As an output, this is the GPCTR0_GATE signal. This signal reflects the actual gate signal connected to the general-purpose counter 0.
GPCTR0_OUT	DGND	Output	Counter 0 Output—This output is from the general-purpose counter 0 output.
FREQ_OUT	DGND	Output	Frequency Output—This output is from the frequency generator output.

Table 4-1 shows the I/O signal summary for the VXI-MIO-64E-1.

**Table 4-1.** VXI-MIO-64E-1 I/O Signal Summary

Signal Name	Drive	Impedance Input/ Output	Protection (Volts) Power On/Off	Source (mA at V)	Sink (mA at V)	Rise Time (ns)	Bias
ACH<0..63>	AI	100 G $\Omega$ in parallel with 100 pF	25/15	—	—	—	$\pm 200$ pA
AISENSE, AISENSE2	AI	100 G $\Omega$ in parallel with 100 pF	25/15	—	—	—	$\pm 200$ pA
AIGND	AI	—	—	—	—	—	—
DAC0OUT	AO	0.1 $\Omega$	Short-circuit to ground	5 at 10 V	5 at -10 V	20 V/ $\mu$ s	—
DAC1OUT	AO	0.1 $\Omega$	Short-circuit to ground	5 at 10 V	5 at -10 V	20 V/ $\mu$ s	—
EXTREF	AO	10 k $\Omega$	25/15	—	—	—	—
AOGND	AO	—	—	—	—	—	—
DGND	DO	—	—	—	—	—	—
+5 V	DO	0.1 $\Omega$	Short-circuit to ground	1 A at 5 V	—	—	—
DIO<0..7>	DIO	—	5.5 V	13 at (4.6 V)	24 at 0.4	1.1	50 k $\Omega$ pu <sup>1</sup>
SCANCLK	DO	—	—	3.5 at (4.6 V)	5 at 0.4	1.5	50 k $\Omega$ pu
EXTSTROBE*	DO	—	—	3.5 at (4.6 V)	5 at 0.4	1.5	50 k $\Omega$ pu
PFI0/TRIG1	ADIO	10 k $\Omega$	5.5 V	3.5 at (4.6 V)	5 at 0.4	1.5	50 k $\Omega$ pu <sup>2</sup>
PFI1/TRIG2	DIO	—	5.5 V	3.5 at (4.6 V)	5 at 0.4	1.5	50 k $\Omega$ pu
PFI2/CONVERT*	DIO	—	5.5 V	3.5 at (4.6 V)	5 at 0.4	1.5	50 k $\Omega$ pu
PFI3/GPCTR1_SOURCE	DIO	—	5.5 V	3.5 at (4.6 V)	5 at 0.4	1.5	50 k $\Omega$ pu
PFI4/GPCTR1_GATE	DIO	—	5.5 V	3.5 at (4.6 V)	5 at 0.4	1.5	50 k $\Omega$ pu

**Table 4-1.** VXI-MIO-64E-1 I/O Signal Summary (Continued)

Signal Name	Drive	Impedance Input/ Output	Protection (Volts) Power On/Off	Source (mA at V)	Sink (mA at V)	Rise Time (ns)	Bias
GPCTR1_OUT	DO	—	—	3.5 at (4.6 V)	5 at 0.4	1.5	50 kΩ pu
PFI5/UPDATE*	DIO	—	5.5 V	3.5 at (4.6 V)	5 at 0.4	1.5	50 kΩ pu
PFI6/WFTRIG	DIO	—	5.5 V	3.5 at (4.6 V)	5 at 0.4	1.5	50 kΩ pu
PFI7/STARTSCAN	DIO	—	5.5 V	3.5 at (4.6 V)	5 at 0.4	1.5	50 kΩ pu
PFI8/GPCTR0_SOURCE	DIO	—	5.5 V	3.5 at (4.6 V)	5 at 0.4	1.5	50 kΩ pu
PFI9/GPCTR0_GATE	DIO	—	5.5 V	3.5 at (4.6 V)	5 at 0.4	1.5	50 kΩ pu
GPCTR0_OUT	DO	—	—	3.5 at (4.6 V)	5 at 0.4	1.5	50 kΩ pu
FREQ_OUT	DO	—	—	3.5 at (4.6 V)	5 at 0.4	1.5	50 kΩ pu
<p>AI = Analog Input                      DIO = Digital Input/Output                      pu = pullup  AO = Analog Output                      DO = Digital Output    ADIO = Analog/Digital Input/Output</p> <p><sup>1</sup>DIO &lt;6..7&gt; are also pulled down with a 50 kΩ resistor.  <sup>2</sup>Also pulled down with a 10 kΩ resistor.</p> <p><b>Note:</b> <i>The tolerance on the 50 kΩ pullup and pulldown resistors is very large. Actual value may range between 17 and 100 kΩ.</i></p>							

Table 4-2 shows the I/O signal summary for the VXI-MIO-64XE-10.

**Table 4-2.** VXI-MIO-64XE-10 I/O Signal Summary

Signal Name	Drive	Impedance Input/ Output	Protection (Volts) Power On/Off	Source (mA at V)	Sink (mA at V)	Rise Time (ns)	Bias
ACH<0..63>	AI	100 G $\Omega$ in parallel with 100 pF	25/15	—	—	—	$\pm 1$ nA
AISENSE	AI	100 G $\Omega$ in parallel with 100 pF	25/15	—	—	—	$\pm 1$ nA
AIGND	AI	—	—	—	—	—	—
DAC0OUT	AO	0.1 $\Omega$	Short-circuit to ground	5 at 10 V	5 at -10 V	5 V/ $\mu$ s	—
DAC1OUT	AO	0.1 $\Omega$	Short-circuit to ground	5 at 10 V	5 at -10 V	5 V/ $\mu$ s	—
AOGND	AO	—	—	—	—	—	—
DGND	DO	—	—	—	—	—	—
+5 V	DO	0.1 $\Omega$	Short-circuit to ground	1A	—	—	—
DIO<0..7>	DIO	—	5.5 V	13 at (4.6 V)	24 at 0.4	1.1	50 k $\Omega$ pu
SCANCLK	DO	—	—	3.5 at (4.6 V)	5 at 0.4	1.5	50 k $\Omega$ pu
EXTSTROBE*	DO	—	—	3.5 at (4.6 V)	5 at 0.4	1.5	50 k $\Omega$ pu
PFI0/TRIG1	DIO	—	5.5 V	3.5 at (4.6 V)	5 at 0.4	1.5	4.75 k $\Omega$ pu
PFI1/TRIG2	DIO	—	5.5 V	3.5 at (4.6 V)	5 at 0.4	1.5	50 k $\Omega$ pu
PFI2/CONVERT*	DIO	—	5.5 V	3.5 at (4.6 V)	5 at 0.4	1.5	50 k $\Omega$ pu
PFI3/GPCTR1_SOURCE	DIO	—	5.5 V	3.5 at (4.6 V)	5 at 0.4	1.5	50 k $\Omega$ pu
PFI4/GPCTR1_GATE	DIO	—	5.5 V	3.5 at (4.6 V)	5 at 0.4	1.5	50 k $\Omega$ pu
GPCTR1_OUT	DO	—	—	3.5 at (4.6 V)	5 at 0.4	1.5	50 k $\Omega$ pu

**Table 4-2.** VXI-MIO-64XE-10 I/O Signal Summary (Continued)

Signal Name	Drive	Impedance Input/ Output	Protection (Volts) Power On/Off	Source (mA at V)	Sink (mA at V)	Rise Time (ns)	Bias
PFI5/UPDATE*	DIO	—	5.5 V	3.5 at (4.6 V)	5 at 0.4	1.5	50 kΩ pu
PFI6/WFTRIG	DIO	—	5.5 V	3.5 at (4.6 V)	5 at 0.4	1.5	50 kΩ pu
PFI7/STARTSCAN	DIO	—	5.5 V	3.5 at (4.6 V)	5 at 0.4	1.5	50 kΩ pu
PFI8/GPCTR0_SOURCE	DIO	—	5.5 V	3.5 at (4.6 V)	5 at 0.4	1.5	50 kΩ pu
PFI9/GPCTR0_GATE	DIO	—	5.5 V	3.5 at (4.6 V)	5 at 0.4	1.5	50 kΩ pu
GPCTR0_OUT	DO	—	—	3.5 at (4.6 V)	5 at 0.4	1.5	50 kΩ pu
FREQ_OUT	DO	—	—	3.5 at (4.6 V)	5 at 0.4	1.5	50 kΩ pu
AI = Analog Input      DIO = Digital Input/Output      pu = pullup AO = Analog Output    DO = Digital Output							
<b>Note:</b> <i>The tolerance on the 50 kΩ pullup and pulldown resistors is very large. Actual value may range between 17 and 100 kΩ.</i>							

## Analog Input Signal Connections

The VXI-MIO-64E-1 and VXI-MIO-64XE-10 analog input signals are ACH<0..63>, AISENSE, AISENSE2, and AIGND. The ACH<0..63> signals are tied to the 64 analog input channels of both modules. In single-ended mode, signals connected to ACH<0..63> are routed to the positive input of both modules. In differential mode, signals connected to ACH<0..7, 16..23, 32..39, 48..55> are routed to the positive input of the PGIA, and signals connected to ACH<8..15, 24..31, 40..47, 56..63> are routed to the negative input of the PGIA.

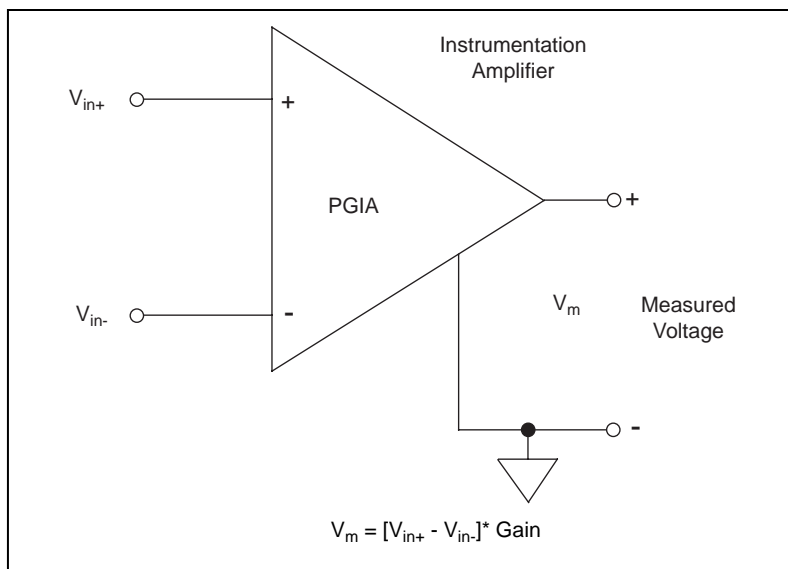


**Warning:** *Exceeding the differential and common-mode input ranges distorts your input signals. Exceeding the maximum input voltage rating can damage the VXI-MIO Series module and your VXIbus system. National Instruments is NOT liable for any damages resulting from such signal connections. The maximum input voltage ratings are listed in Tables 4-1 and 4-2 in the Protection column.*

In NRSE mode, the AISENSE and AISENSE2 signals are connected internally to the negative input of the VXI-MIO Series module PGIA when their corresponding channels are selected. In DIFF and RSE modes, the AISENSE/AISENSE signals are left unconnected.

AIGND is an analog input common signal that is routed directly to the ground tie point on the VXI-MIO Series modules. You can use this signal for a general analog ground tie point to your VXI-MIO Series module if necessary.

Connection of analog input signals to your VXI-MIO Series module depends on the configuration of the analog input channels you are using and the type of input signal source. With the different configurations, you can use the PGIA in different ways. Figure 4-2 shows a diagram of your VXI-MIO Series module PGIA.



**Figure 4-2.** VXI-MIO Series PGIA

The PGIA applies gain and common-mode voltage rejection and presents high input impedance to the analog input signals connected to your VXI-MIO Series module. Signals are routed to the positive and negative inputs of the PGIA through input multiplexers on the module. The PGIA converts two input signals to a signal that is the difference between the two input signals multiplied by the gain setting of the amplifier. The amplifier output voltage is referenced to the board



ground. Your VXI-MIO Series module ADC measures this output voltage when it performs A/D conversions.

You must reference all signals to ground either at the signal source or at the module. If you have a floating source, reference the signal to ground by using the RSE input mode or the DIFF input configuration with bias resistors (see the *Differential Connections for Nonreferenced or Floating Signal Sources* section later in this chapter). If you have a grounded source, you should not reference the signal to AIGND. You can avoid this reference by using DIFF or NRSE input configurations.

## Types of Signal Sources

---

When configuring the input channels and making signal connections, you must first determine whether the signal sources are floating or ground-referenced. The following sections describe these two types of signals.

### Floating Signal Sources

A floating signal source is one that is not connected in any way to earth ground but, rather, has an isolated ground-reference point. Some examples of floating signal sources are outputs of transformers, thermocouples, battery-powered devices, optical isolated outputs, and isolation amplifiers. Tie the ground reference of a floating signal to your VXI-MIO Series module analog input ground to establish a local or onboard reference for the signal. Otherwise, the measured input signal varies as the source floats out of the common-mode input range.

### Ground-Referenced Signal Sources

A ground-referenced signal source is one that is connected in some way to the same ground reference as the VXI-MIO Series module. An example of this type of signal is a nonisolated output of a signal generator which is powered from the same power strip as the VXIbus system.

The difference in ground potential between two instruments connected to the same power distribution system is typically between 1 and 100 mV but can be much higher if power distribution circuits are not properly connected. If a grounded signal source is improperly measured, this difference may appear as an error in the measurement. The connection instructions for grounded signal sources are designed to eliminate this ground potential difference from the measured signal.

## Input Configurations

---

You can configure your VXI-MIO Series module for one of three input modes—NRSE, RSE, or DIFF. The following sections discuss the use of single-ended and differential measurements and considerations for measuring both floating and ground-referenced signal sources.

Figure 4-3 summarizes the recommended input configuration for both types of signal sources.

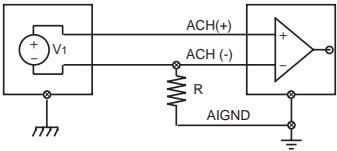
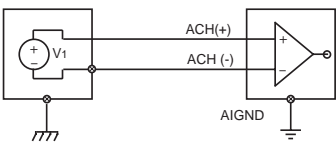
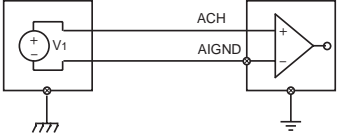
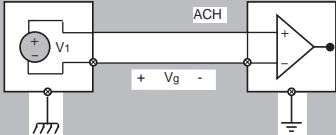
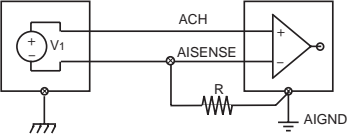
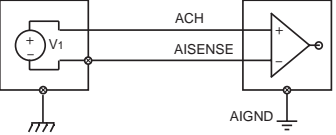
Input	Signal Source Type	
	Floating Signal Source (Not Connected to Earth Ground)	Grounded Signal Source
	<p>Examples</p> <ul style="list-style-type: none"> <li>• Ungrounded thermocouples</li> <li>• Signal conditioning with isolated outputs</li> <li>• Battery devices</li> </ul>	<p>Examples</p> <ul style="list-style-type: none"> <li>• Plug-in instruments with nonisolated outputs</li> </ul>
Differential (DIFF)	 <p>See text for information on bias resistors.</p>	
Referenced Single-Ended Ground (RSE)		<p><b>NOT RECOMMENDED</b></p>  <p>Ground-loop losses, <math>V_g</math>, are added to measured signal</p>
Nonreferenced Single-Ended (NRSE)	 <p>See text for information on bias resistors.</p>	

Figure 4-3. Summary of Analog Input Connections

## Differential Connection Considerations (DIFF Input Configuration)

A differential connection is one in which the VXI-MIO Series module analog input signal has its own reference signal or signal return path. These connections are available when the selected channel is configured in DIFF input mode. The input signal is tied to the positive input of the PGIA, and its reference signal, or return, is tied to the negative input of the PGIA.

When you configure a channel for differential input, each signal uses two multiplexer input lines—one for the signal and one for its reference signal. Therefore, with a differential configuration for every channel, up to 32 analog input channels are available.

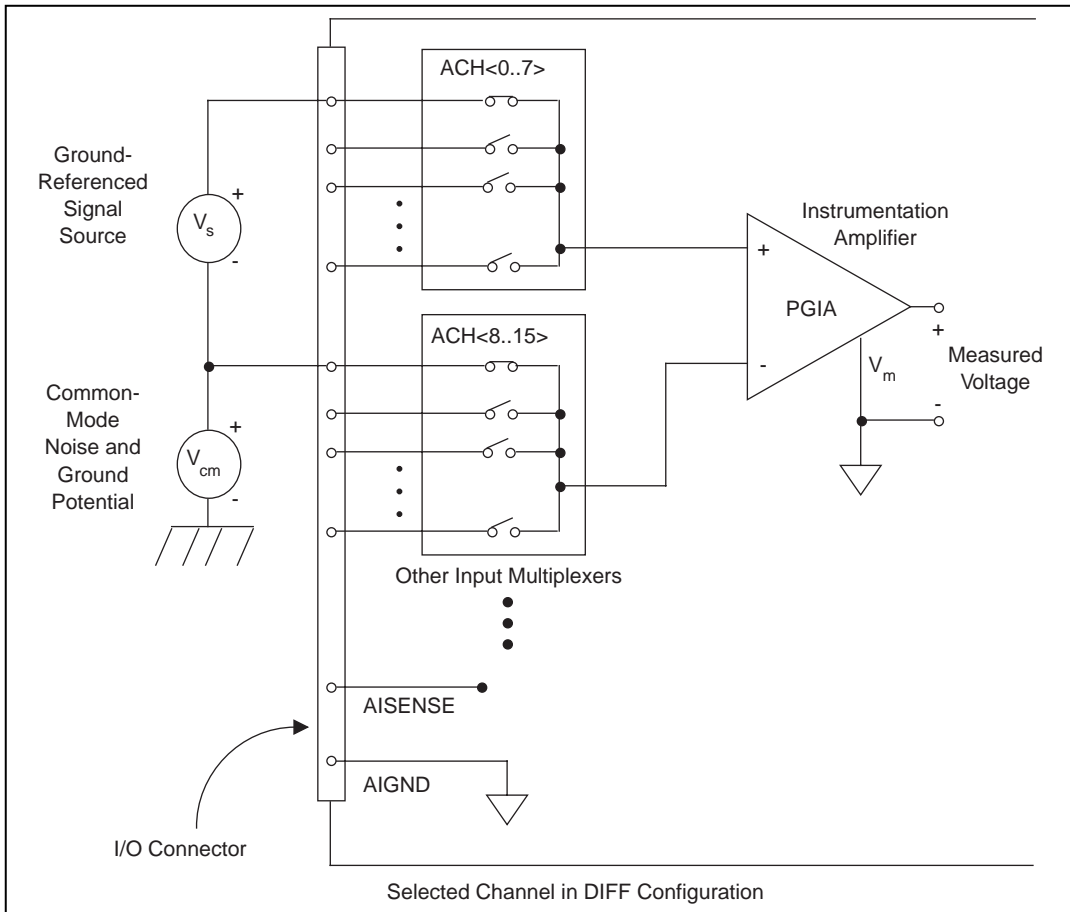
You should use differential input connections for any channel that meets any of the following conditions:

- The input signal is low level (less than 1 V).
- The leads connecting the signal to the VXI-MIO Series module are greater than 10 ft (3 m).
- The input signal requires a separate ground-reference point or return signal.
- The signal leads travel through noisy environments.

DIFF input connections reduce pick-up noise and increase common-mode noise rejection. Differential signal connections also allow input signals to float within the common-mode limits of the PGIA.

## Differential Connections for Ground-Referenced Signal Sources

Figure 4-4 shows how to connect a ground-referenced signal source to a channel on a VXI-MIO Series module configured in DIFF input mode.

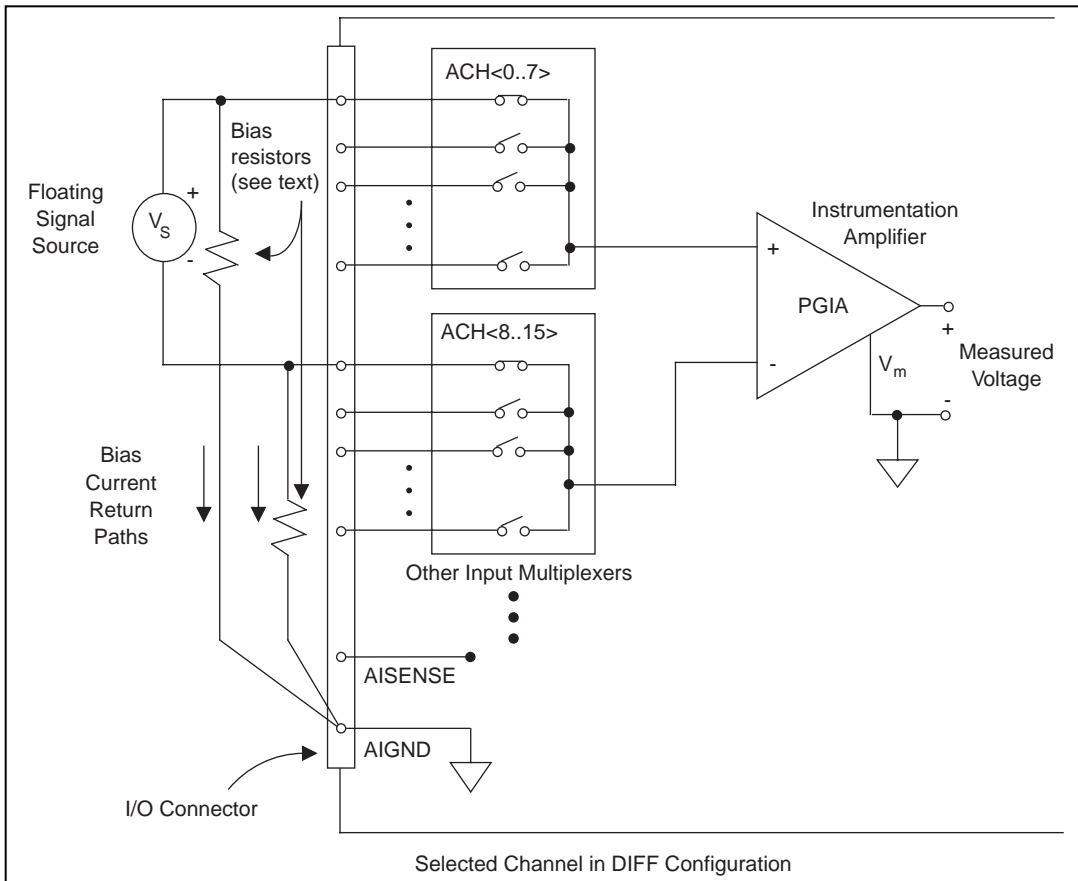


**Figure 4-4.** Differential Input Connections for Ground-Referenced Signals

With this type of connection, the PGIA rejects both the common-mode noise in the signal and the ground potential difference between the signal source and the VXI-MIO Series module ground, shown as  $V_{cm}$  in Figure 4-4.

## Differential Connections for Nonreferenced or Floating Signal Sources

Figure 4-5 shows how to connect a floating signal source to a channel on a VXI-MIO Series module configured in DIFF input mode.



**Figure 4-5.** Differential Input Connections for Nonreferenced Signals

Figure 4-5 shows two bias resistors connected in parallel with the signal leads of a floating signal source. If you do not use the resistors and the source is truly floating, the source is not likely to remain within the common-mode signal range of the PGIA, and the PGIA will saturate, causing erroneous readings. You must reference the source to AIGND. The easiest way is simply to connect the positive side of the signal to the positive input of the PGIA and connect the negative side of the signal to AIGND as well as to the negative input of the PGIA, without

any resistors at all. This connection works well for DC-coupled sources with low source impedance (less than 100  $\Omega$ ).

However, for larger source impedances, this connection leaves the differential signal path significantly out of balance. Noise that couples electrostatically onto the positive line does not couple onto the negative line because it is connected to ground. Hence, this noise appears as a differential-mode signal instead of a common-mode signal, and so the PGIA does not reject it. In this case, instead of directly connecting the negative line to AIGND, connect it to AIGND through a resistor that is about 100 times the equivalent source impedance. The resistor puts the signal path nearly in balance, so that about the same amount of noise couples onto both connections, yielding better rejection of electrostatically coupled noise. Also, this configuration does not load down the source (other than the very high input impedance of the PGIA).

You can fully balance the signal path by connecting another resistor of the same value between the positive input and AIGND, as shown in Figure 4-5. This fully-balanced configuration offers slightly better noise rejection but has the disadvantage of loading the source down with the series combination (sum) of the two resistors. If, for example, the source impedance is 2 k $\Omega$  and each of the two resistors is 100 k $\Omega$ , the resistors load down the source with 200 k $\Omega$  and produce a -1% gain error.

Both PGIA inputs require a DC path to ground in order for the PGIA to work. If the source is AC-coupled (capacitively coupled), the PGIA needs a resistor between the positive input and AIGND. If the source has low impedance, choose a resistor that is large enough not to significantly load the source but small enough not to produce significant input offset voltage as a result of input bias current (typically 100 k $\Omega$  to 1 M $\Omega$ ). In this case, you can tie the negative input directly to AIGND. If the source has high output impedance, you should balance the signal path as previously described using the same value resistor on both the positive and negative inputs; you should be aware that there is some gain error from loading down the source.

Refer to Application Note 025, *Field Wiring and Noise Considerations for Analog Signals*, for more information.

## Single-Ended Connection Considerations

A single-ended connection is one in which the VXI-MIO Series module analog input signal is referenced to a ground that can be shared with other input signals. The input signal is tied to the PGIA positive input, and the ground is tied to the PGIA negative input.

When you configure every channel for single-ended input, up to 64 analog input channels are available.

You can use single-ended input connections for any channel signal that meets all of the following conditions:

- The input signal is high level (greater than 1 V).
- The leads connecting the signal to the VXI-MIO Series module are less than 10 ft (3 m).
- The input signal can share a common reference point with other signals.

DIFF input connections are recommended for greater signal integrity for any input signal that does not meet the preceding conditions.

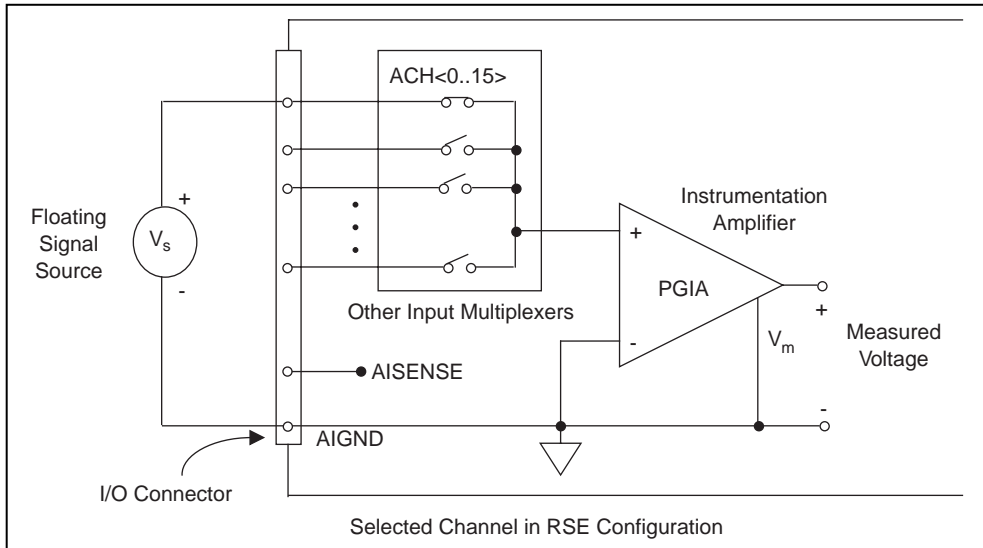
You can software-configure the VXI-MIO Series module channels for two different types of single-ended connections—RSE configuration and NRSE configuration. The RSE configuration is used for floating signal sources; in this case, the VXI-MIO Series module provides the reference ground point for the external signal. The NRSE input configuration is used for ground-referenced signal sources; in this case, the external signal supplies its own reference ground point and the VXI-MIO Series module should not supply one.

In single-ended configurations, more electrostatic and magnetic noise couples into the signal connections than in differential configurations. The coupling is the result of differences in the signal path. Magnetic coupling is proportional to the area between the two signal conductors. Electrical coupling is a function of how much the electric field differs between the two conductors.



## Single-Ended Connections for Floating Signal Sources (RSE Configuration)

Figure 4-6 shows how to connect a floating signal source to a channel on the VXI-MIO Series module configured for RSE mode.

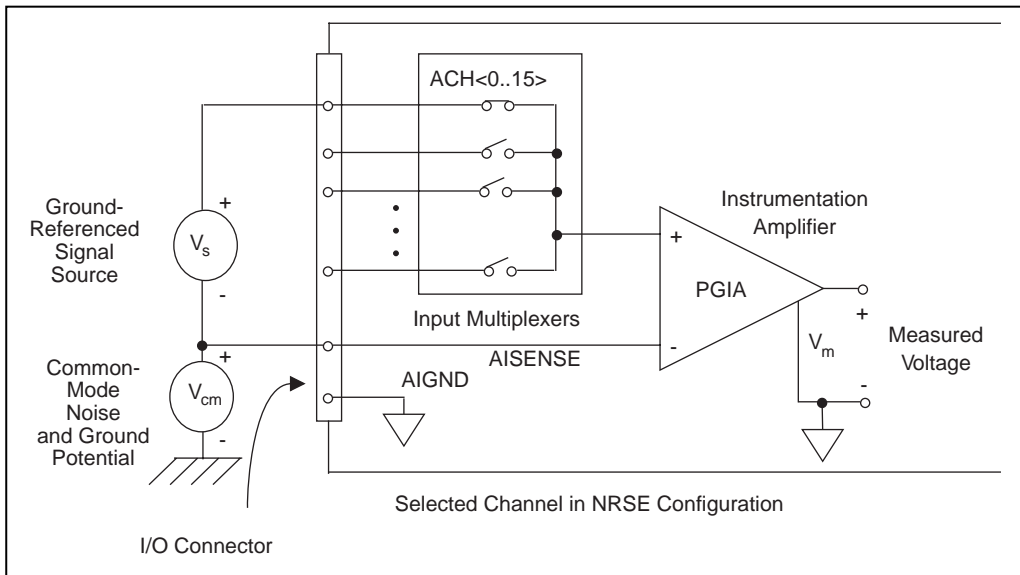


**Figure 4-6.** Single-Ended Input Connections for Nonreferenced or Floating Signals

## Single-Ended Connections for Grounded Signal Sources (NRSE Configuration)

To measure a grounded signal source with a single-ended configuration, you must configure your VXI-MIO Series module in the NRSE input configuration. The signal is then connected to the module's PGIA positive input, and the signal local ground reference is connected to the PGIA negative input. The ground point of the signal should, therefore, be connected to the AISENSE pin. Any potential difference between the VXI-MIO Series ground and the signal ground appears as a common-mode signal at both the positive and negative inputs of the PGIA, and this difference is rejected by the amplifier. If the input circuitry of the VXI-MIO module were referenced to ground in this situation as in the RSE input configuration, this difference in ground potentials would appear as an error in the measured voltage.

Figure 4-7 shows how to connect a grounded signal source to a channel on the VXI-MIO Series module configured for NRSE mode.



**Figure 4-7.** Single-Ended Input Connections for Ground-Referenced Signal

## Common-Mode Signal Rejection Considerations

Figures 4-6 and 4-7 show connections for signal sources that are already referenced to some ground point with respect to the VXI-MIO Series module. In these cases, the PGIA can reject any voltage caused by ground potential differences between the signal source and the module. In addition, with differential input connections, the PGIA can reject common-mode noise pickup in the leads connecting the signal sources to the module. The PGIA can reject common-mode signals as long as  $V_{in}^{+}$  and  $V_{in}^{-}$  are both within  $\pm 11$  V of AIGND.

## Analog Output Signal Connections

The analog output signals are DAC0OUT, DAC1OUT, EXTREF, and AOGND. *EXTREF* is not available on the VXI-MIO-64XE-10.

DAC0OUT is the voltage output signal for analog output channel 0.  
 DAC1OUT is the voltage output signal for analog output channel 1.

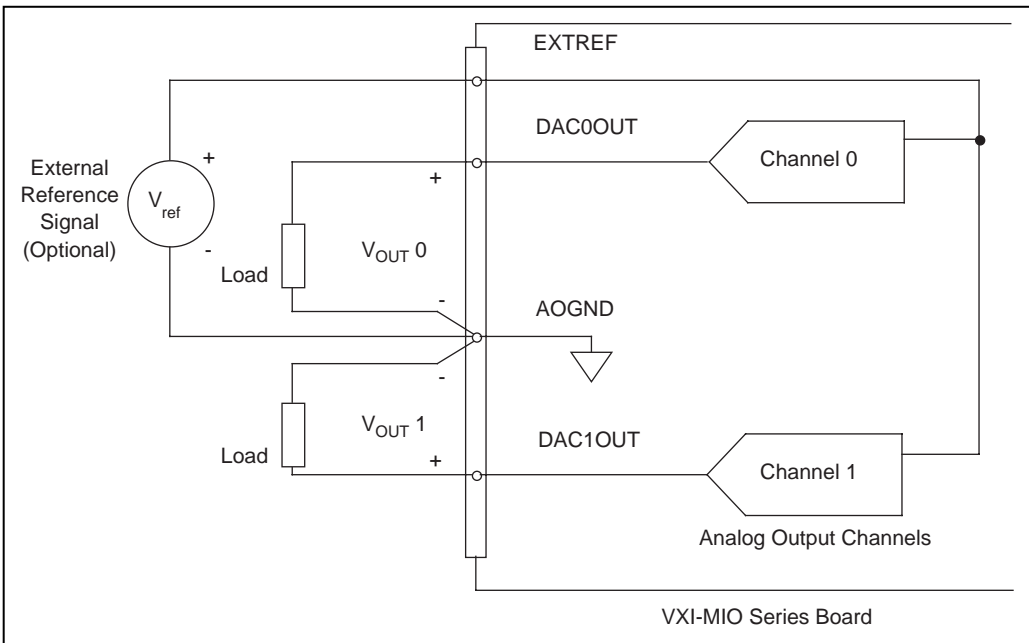
EXTREF is the external reference input signal for both analog output channels. You must configure each analog output channel individually for external reference selection in order for the signal applied at the

external reference input to be used by that channel. If you do not specify an external reference, the channel will use the internal reference. *You cannot use an external analog output reference with the VXI-MIO-64XE-10.* Analog output configuration options are explained in the *Analog Output* section in Chapter 3, *Hardware Overview*. The following ranges and ratings apply to the EXTREF input signal:

- Usable input voltage range:  $\pm 11$  V peak with respect to AOGND
- Absolute maximum ratings:  $\pm 15$  V peak with respect to AOGND

AOGND is the ground reference signal for both analog output channels and the external reference signal.

Figure 4-8 shows how to make analog output connections and the external reference input connection to your VXI-MIO Series module.



**Figure 4-8.** Analog Output Connections

The external reference signal can be either a DC or an AC signal. The module multiplies this reference signal by the DAC code (divided by the full-scale DAC code) to generate the output voltage.

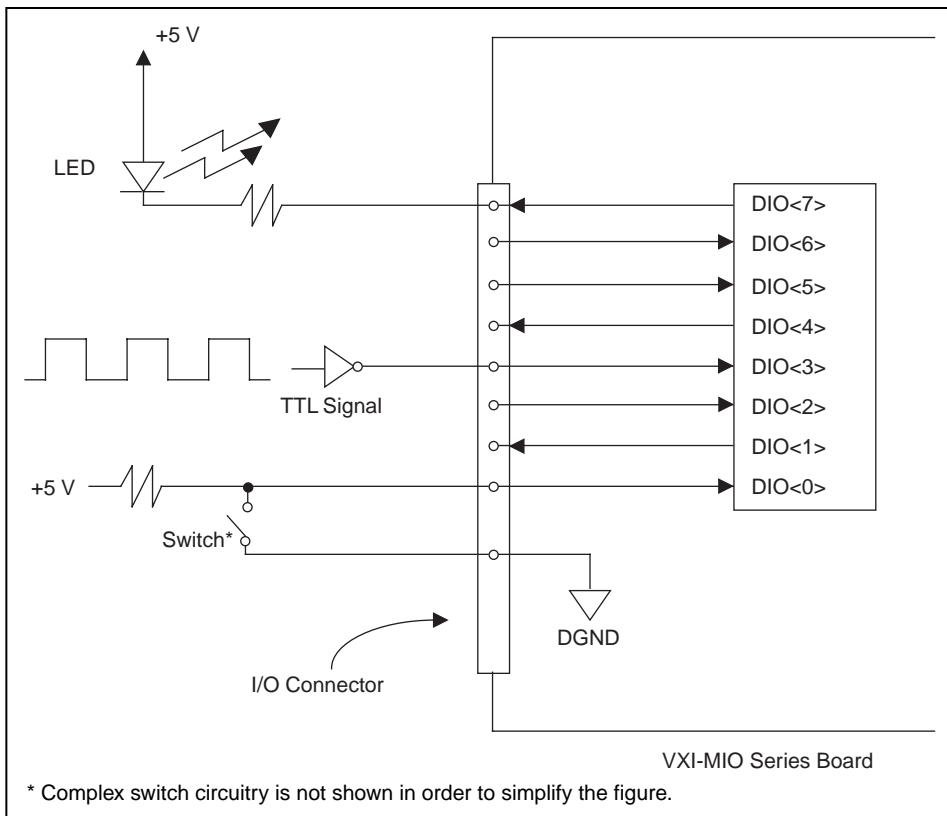
# Digital I/O Signal Connections

The digital I/O signals are DIO<0..7> and DGND. DIO<0..7> are the signals making up the DIO port, and DGND is the ground reference signal for the DIO port. You can program all lines individually to be inputs or outputs.



**Warning:** *Exceeding the maximum input voltage ratings, which are listed in Tables 4-1 and 4-2, can damage the VXI-MIO Series module. National Instruments is NOT liable for any damages resulting from such incorrect signal connections.*

Figure 4-9 shows signal connections for three typical digital I/O applications.



**Figure 4-9.** Digital I/O Connections

Figure 4-9 shows DIO<0, 2..3, 5..6> configured for digital input and DIO<1, 4, 7> configured for digital output. Digital input applications include receiving TTL signals and sensing external device states such as the state of the switch. Digital output applications include sending TTL signals and driving external devices such as the LED.

## Power Connections

---

One pin on the I/O connector supplies +5 V from the VXIbus power supply via a self-resetting fuse. The fuse will reset automatically after you remove the overcurrent condition. These pins are referenced to DGND and can be used to power external digital circuitry.

- Power rating +4.65 to +5.25 VDC at 1 A



**Warning:** *Under no circumstances should you connect these +5 V power pins directly to analog or digital ground or to any other voltage source on the VXI-MIO Series module or any other device. Doing so can damage the VXI-MIO Series module and your device. National Instruments is NOT liable for damages resulting from such a connection.*

## Timing Connections

---



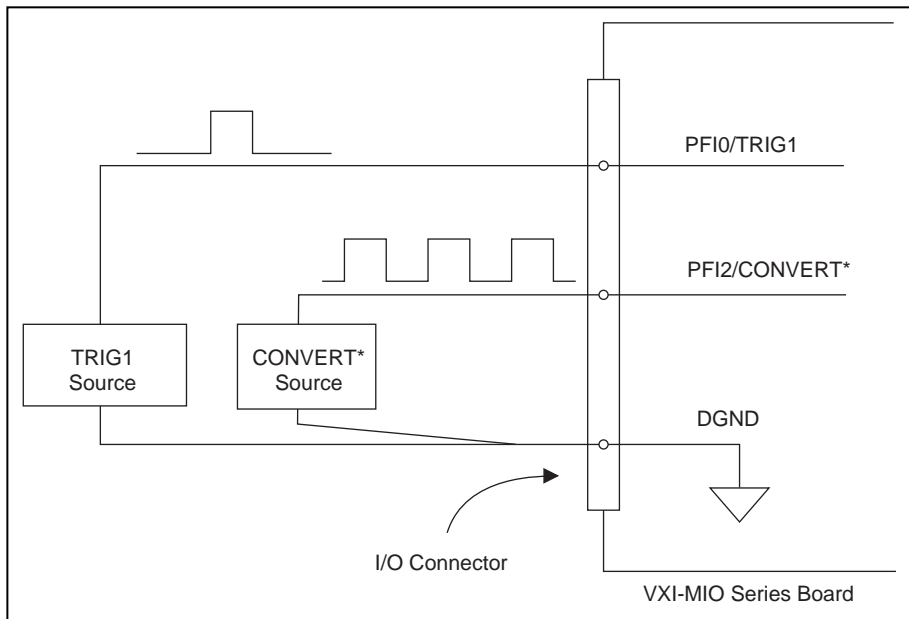
**Warning:** *Exceeding the maximum input voltage ratings, which are listed in Tables 4-1 and 4-2, can damage the VXI-MIO Series module. National Instruments is NOT liable for any damages resulting from incorrect signal connections.*

All external control over the VXI-MIO module timing is routed through the 10 programmable function input signals labeled PFI<0..9>. These signals are explained in detail in the *Programmable Function Input Connections* section in this chapter. These PFI signals are bidirectional; as output signals they are not programmable and reflect the state of many data acquisition, waveform generation, and general-purpose timing signals. There are five other dedicated output lines for the remainder of the timing signals. As input signals, the PFI signals are programmable and can control any data acquisition, waveform generation, and general-purpose timing signals.

The data acquisition signals are explained in the *Data Acquisition Timing Connections* section later in this chapter. The waveform generation signals are explained in the *Waveform Generation Timing*

*Connections* section later in this chapter. The general-purpose timing signals are explained in the *General-Purpose Timing Signal Connections* section later in this chapter.

All digital timing connections are referenced to DGND. This reference is demonstrated in Figure 4-10, which shows how to connect an external TRIG1 source and an external CONVERT\* source to two of the VXI-MIO Series module PFI pins.



**Figure 4-10.** Timing I/O Connections

## Programmable Function Input Connections

There are a total of 13 internal timing signals that you can externally control from the PFI pins. The source for each of these signals is software-selectable from any of the PFIs when you want external control. This flexible routing scheme reduces the need to change the physical wiring to the module I/O connector for different applications requiring alternative wiring.

You can individually enable each of the PFI pins to output a specific internal timing signal. For example, if you need the CONVERT\* signal as an output on the I/O connector, your software can turn on the output

driver for the PFI2/CONVERT\* pin. Be careful not to drive a PFI signal externally when it is configured as an output.

As an input, you can individually configure each PFI for edge or level detection and also for polarity selection. You can use the polarity selection for any of the 13 timing signals, but the edge or level detection will depend upon the particular timing signal being controlled. The detection requirements for each timing signal are listed in the section that discusses that individual signal.

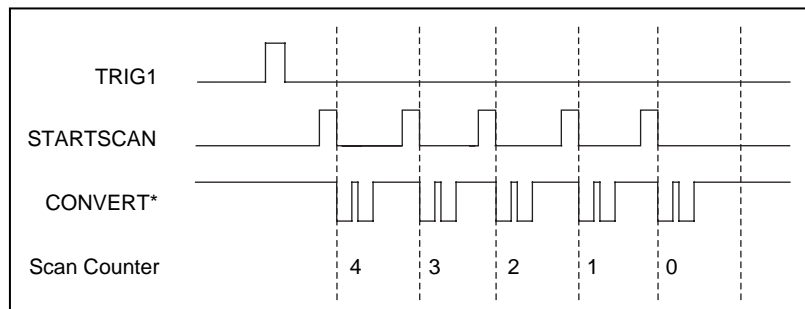
In edge-detection mode, a minimum pulse width of 10 ns is required. This applies for both rising-edge and falling-edge polarity settings. There is no maximum pulse-width requirement in edge-detection mode.

In level-detection mode, there are no minimum or maximum pulse-width requirements imposed by the PFIs themselves, but limits may be imposed by the particular timing signal being controlled. These requirements are listed later in this chapter.

## Data Acquisition Timing Connections

The data acquisition timing signals are SCANCLK, EXTSTROBE\*, TRIG1, TRIG2, STARTSCAN, CONVERT\*, AIGATE, and SISOURCE.

Posttriggered data acquisition allows you to view only data that is acquired after a trigger event is received. A typical posttriggered data acquisition sequence is shown in Figure 4-11. Pretriggered data acquisition allows you to view data that is acquired before the trigger of interest in addition to data acquired after the trigger. Figure 4-12 shows a typical pretriggered data acquisition sequence. The description for each signal shown in these figures is included later in this chapter.



**Figure 4-11.** Typical Posttriggered Acquisition

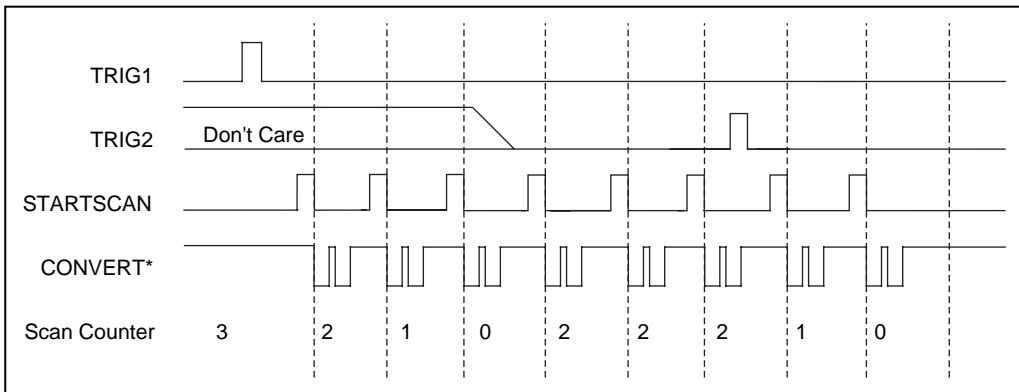


Figure 4-12. Typical Pretriggered Acquisition

## SCANCLK Signal

SCANCLK is an output-only signal that generates a pulse with the leading edge occurring approximately 50 to 100 ns after an A/D conversion begins. The polarity of this output is software selectable but is typically configured so that a low-to-high leading edge can clock external analog input multiplexers indicating when the input signal has been sampled and can be removed. This signal has a 400 to 500 ns pulse width and is software-enabled. Figure 4-13 shows the timing for the SCANCLK signal.

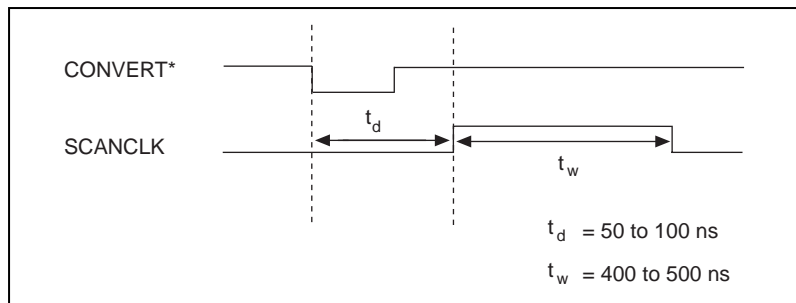


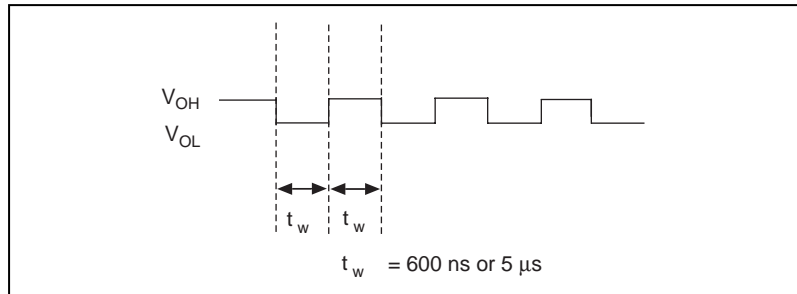
Figure 4-13. SCANCLK Signal Timing

## EXTSTROBE\* Signal

EXTSTROBE\* is an output-only signal that generates either a single pulse or a sequence of eight pulses in the hardware-strobe mode. An external device can use this signal to latch signals or to trigger events. In the single-pulse mode, your software controls the EXTSTROBE\*



signal level. A 10 and 1.2  $\mu\text{s}$  clock is available for generating a sequence of eight pulses in the hardware-strobe mode. Figure 4-14 shows the timing for the hardware-strobe mode EXTSTROBE\* signal.



**Figure 4-14.** EXTSTROBE\* Signal Timing

## TRIG1 Signal

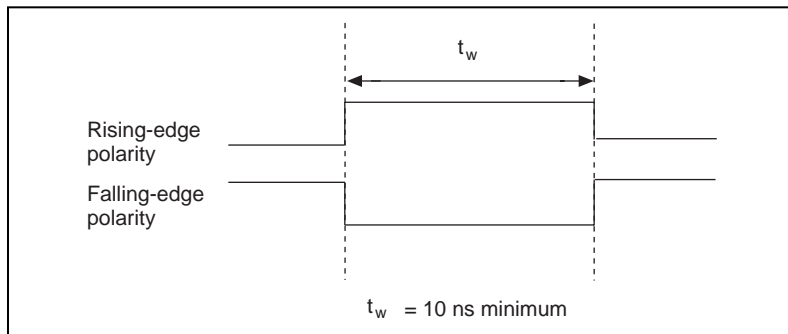
Any PFI pin can externally input the TRIG1 signal, which is available as an output on the PFI0/TRIG1 pin.

Refer to Figures 4-11 and 4-12 for the relationship of TRIG1 to the data acquisition sequence.

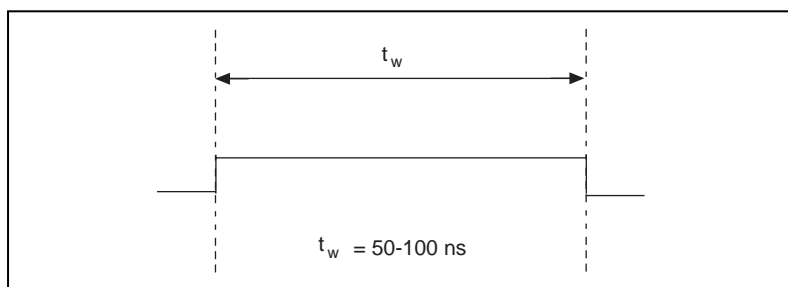
As an input, the TRIG1 signal is configured in the edge-detection mode. You can select any PFI pin as the source for TRIG1 and configure the polarity selection for either rising or falling edge. The selected edge of the TRIG1 signal starts the data acquisition sequence for both posttriggered and pretriggered acquisitions. The VXI-MIO-64E-1 and VXI-MIO-64XE-10 support analog triggering on the PFI0/TRIG1 pin. See Chapter 3 for more information on analog triggering.

As an output, the TRIG1 signal reflects the action that initiates a data acquisition sequence. This is true even if the acquisition is being externally triggered by another PFI. The output is an active high pulse with a pulse width of 50 to 100 ns. This signal is set to input (High-Z) at startup.

Figures 4-15 and 4-16 show the input and output timing requirements for the TRIG1 signal.



**Figure 4-15.** TRIG1 Input Signal Timing



**Figure 4-16.** TRIG1 Output Signal Timing

The module also uses the TRIG1 signal to initiate pretriggered data acquisition operations. In most pretriggered applications, the acquisition is started by a software trigger. Refer to the TRIG2 signal description for a complete description of the use of TRIG1 and TRIG2 in a pretriggered data acquisition operation.

## TRIG2 Signal

Any PFI pin can externally input the TRIG2 signal, which is available as an output on the PFI1/TRIG2 pin.

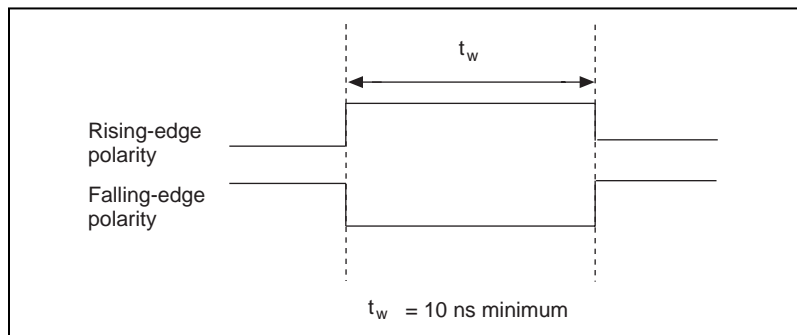
Refer to Figure 4-12 for the relationship of TRIG2 to the data acquisition sequence.

As an input, the TRIG2 signal is configured in the edge-detection mode. You can select any PFI pin as the source for TRIG2 and configure the polarity selection for either rising or falling edge. The selected edge of the TRIG2 signal initiates the posttriggered phase of a pretriggered acquisition sequence. In pretriggered mode, the TRIG1 signal initiates the data acquisition. The scan counter indicates the minimum number of

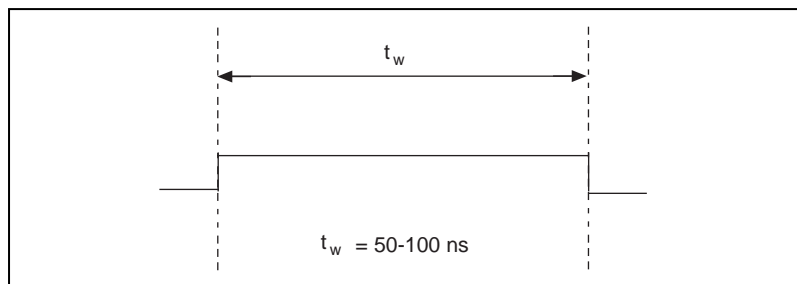
scans before TRIG2 can be recognized. After the scan counter decrements to zero, it is loaded with the number of posttrigger scans to acquire while the acquisition continues. The module ignores the TRIG2 signal if it is asserted prior to the scan counter decrementing to zero. After the selected edge of TRIG2 is received, the module will acquire a fixed number of scans and the acquisition will stop. This mode acquires data both before and after receiving TRIG2.

As an output, the TRIG2 signal reflects the posttrigger in a pretriggered acquisition sequence. This is true even if the acquisition is being externally triggered by another PFI. The TRIG2 signal is not used in posttriggered data acquisition. The output is an active high pulse with a pulse width of 50 to 100 ns. This signal is set to input (High-Z) at startup.

Figures 4-17 and 4-18 show the input and output timing requirements for the TRIG2 signal.



**Figure 4-17.** TRIG2 Input Signal Timing



**Figure 4-18.** TRIG2 Output Signal Timing

## STARTSCAN Signal

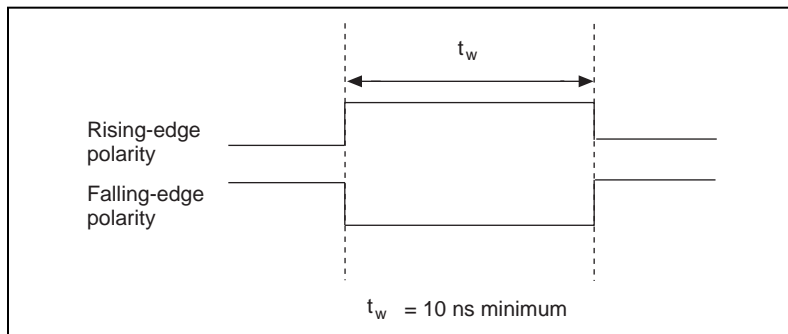
Any PFI pin can externally input the STARTSCAN signal, which is available as an output on the PFI7/STARTSCAN pin.

Refer to Figures 4-11 and 4-12 for the relationship of STARTSCAN to the data acquisition sequence.

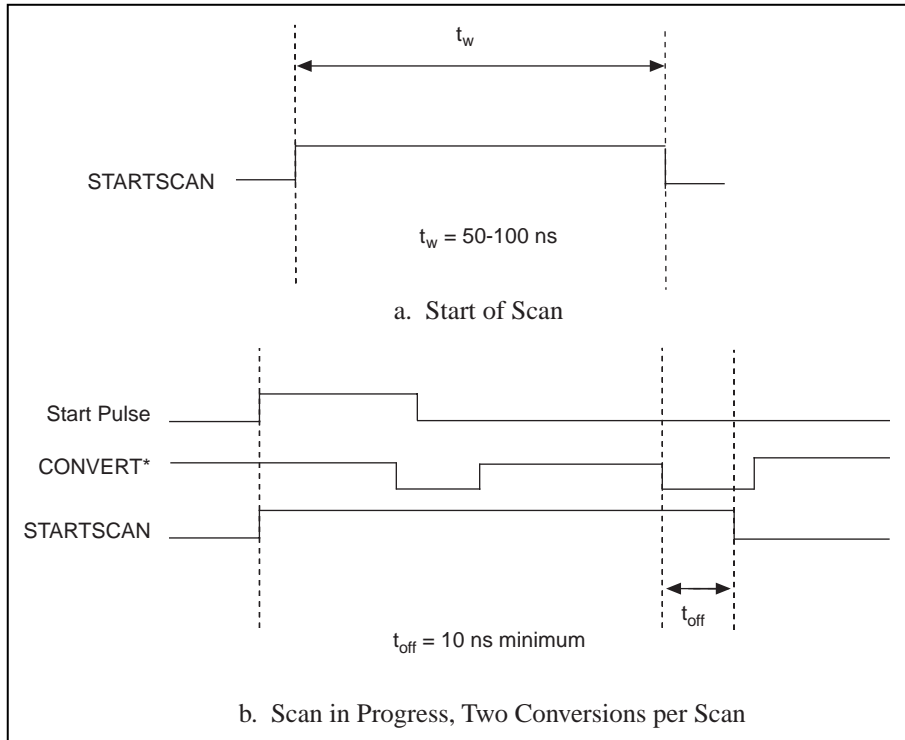
As an input, the STARTSCAN signal is configured in the edge-detection mode. You can select any PFI pin as the source for STARTSCAN and configure the polarity selection for either rising or falling edge. The selected edge of the STARTSCAN signal initiates a scan. The sample interval counter starts if you select internally triggered CONVERT\*.

As an output, the STARTSCAN signal reflects the actual start pulse that initiates a scan. This is true even if the starts are being externally triggered by another PFI. You have two output options. The first is an active high pulse with a pulse width of 50 to 100 ns, which indicates the start of the scan. The second action is an active high pulse that terminates at the start of the last conversion in the scan, which indicates a scan in progress. STARTSCAN will be deasserted  $t_{off}$  after the last conversion in the scan is initiated. This signal is set to input (High-Z) at startup.

Figures 4-19 and 4-20 show the input and output timing requirements for the STARTSCAN signal.



**Figure 4-19.** STARTSCAN Input Signal Timing



**Figure 4-20.** STARTSCAN Output Signal Timing

The CONVERT\* pulses are masked off until the module generates the STARTSCAN signal. If you are using internally generated conversions, the first CONVERT\* will appear when the onboard sample interval counter reaches zero. If you select an external CONVERT\*, the first external pulse after STARTSCAN will generate a conversion. Separate the STARTSCAN pulses by at least one scan period.

A counter on your VXI-MIO Series module internally generates the STARTSCAN signal unless you select some external source. This counter is started by the TRIG1 signal and is stopped either by software or by the sample counter.

Scans generated by either an internal or external STARTSCAN signal are inhibited unless they occur within a data acquisition sequence. Scans occurring within a data acquisition sequence may be gated by either the hardware (AIGATE) signal or software command register gate.

## CONVERT\* Signal

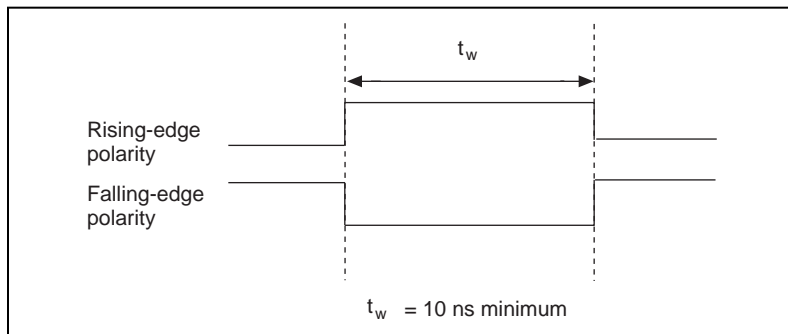
Any PFI pin can externally input the CONVERT\* signal, which is available as an output on the PFI2/CONVERT\* pin.

Refer back to Figures 4-11 and 4-12 for the relationship of CONVERT\* to the data acquisition sequence.

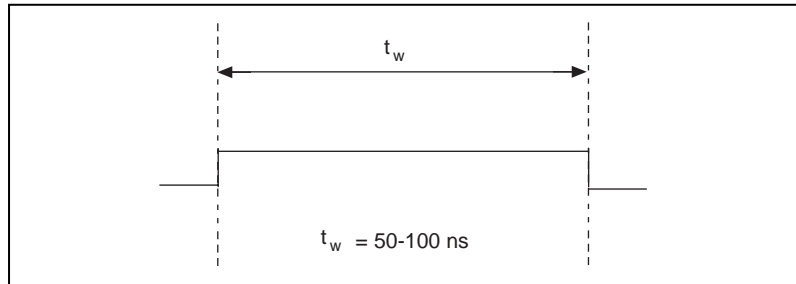
As an input, the CONVERT\* signal is configured in the edge-detection mode. You can select any PFI pin as the source for CONVERT\* and configure the polarity selection for either rising or falling edge. The selected edge of the CONVERT\* signal initiates an A/D conversion.

As an output, the CONVERT\* signal reflects the actual convert pulse that is connected to the ADC. This is true even if the conversions are being externally generated by another PFI. The output is an active low pulse with a pulse width of 50 to 100 ns. This signal is set to input (High-Z) at startup.

Figures 4-21 and 4-22 show the input and output timing requirements for the CONVERT\* signal.



**Figure 4-21.** CONVERT\* Input Signal Timing



**Figure 4-22.** CONVERT\* Output Signal Timing

The ADC switches to hold mode within 60 ns of the selected edge. This hold-mode delay time is a function of temperature and does not vary from one conversion to the next. Separate the CONVERT\* pulses by at least one conversion period.

The sample interval counter on the VXI-MIO Series module normally generates the CONVERT\* signal unless you select some external source. The STARTSCAN signal starts the counter and the counter continues to count down and reload itself until the scan is finished. It then reloads itself in readiness for the next STARTSCAN pulse.

A/D conversions generated by either an internal or external CONVERT\* signal are inhibited unless they occur within a data acquisition sequence. Scans occurring within a data acquisition sequence may be gated by either the hardware (AIGATE) signal or software command register gate.

## AIGATE Signal

Any PFI pin can externally input the AIGATE signal, which is not available as an output on the I/O connector. The AIGATE signal can mask off scans in a data acquisition sequence. You can configure the PFI pin you select as the source for the AIGATE signal in either the level-detection or edge-detection mode. You can configure the polarity selection for the PFI pin for either active high or active low.

In the level-detection mode if AIGATE is active, the STARTSCAN signal is masked off and no scans can occur. In the edge-detection mode, the first active edge disables the STARTSCAN signal, and the second active edge enables STARTSCAN.

The AIGATE signal can neither stop a scan in progress nor continue a previously gated-off scan; in other words, once a scan has started,

AIGATE does not gate off conversions until the beginning of the next scan and, conversely, if conversions are being gated off, AIGATE does not gate them back on until the beginning of the next scan.

## SISOURCE Signal

Any PFI pin can externally input the SISOURCE signal, which is not available as an output on the I/O connector. The onboard scan interval counter uses the SISOURCE signal as a clock to time the generation of the STARTSCAN signal. You must configure the PFI pin you select as the source for the SISOURCE signal in the level-detection mode. You can configure the polarity selection for the PFI pin for either active high or active low.

The maximum allowed frequency is 20 MHz, with a minimum pulse width of 23 ns high or low. There is no minimum frequency limitation.

Either the 20 MHz or 100 kHz internal timebase generates the SISOURCE signal unless you select some external source. Figure 4-23 shows the timing requirements for the SISOURCE signal.

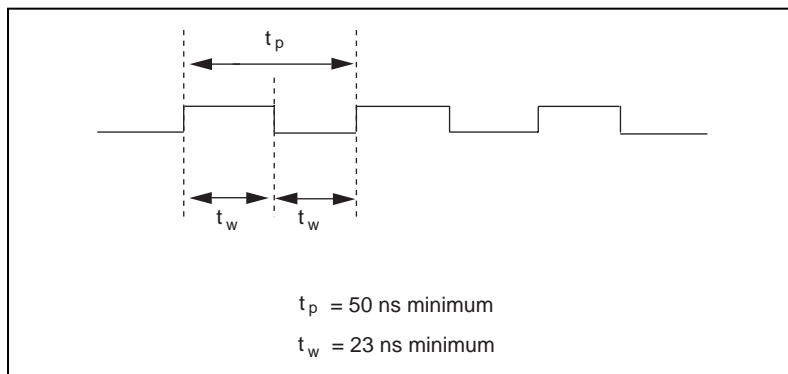


Figure 4-23. SISOURCE Signal Timing

## Waveform Generation Timing Connections

The analog group defined for your VXI-MIO Series module is controlled by WFTRIG, UPDATE\*, and UISOURCE.

## WFTRIG Signal

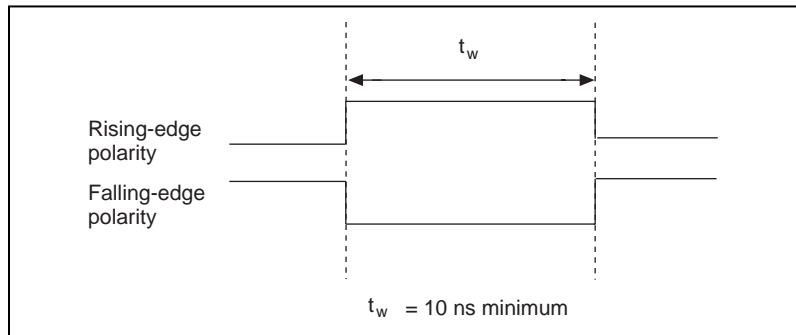
Any PFI pin can externally input the WFTRIG signal, which is available as an output on the PFI6/WFTRIG pin.



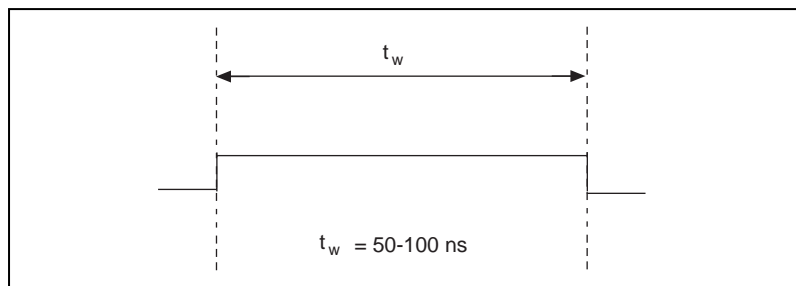
As an input, the WFTRIG signal is configured in the edge-detection mode. You can select any PFI pin as the source for WFTRIG and configure the polarity selection for either rising or falling edge. The selected edge of the WFTRIG signal starts the waveform generation for the DACs. The update interval (UI) counter is started if you select internally generated UPDATE\*.

As an output, the WFTRIG signal reflects the trigger that initiates waveform generation. This is true even if the waveform generation is being externally triggered by another PFI. The output is an active high pulse with a pulse width of 50 to 100 ns. This signal is set to input (High-Z) at startup.

Figures 4-24 and 4-25 show the input and output timing requirements for the WFTRIG signal.



**Figure 4-24.** WFTRIG Input Signal Timing



**Figure 4-25.** WFTRIG Output Signal Timing

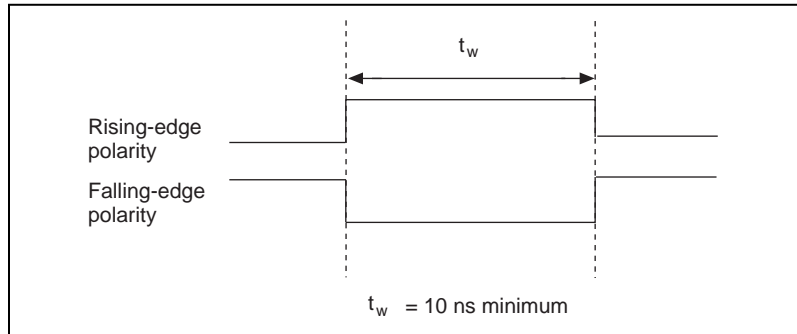
## UPDATE\* Signal

Any PFI pin can externally input the UPDATE\* signal, which is available as an output on the PFI5/UPDATE\* pin.

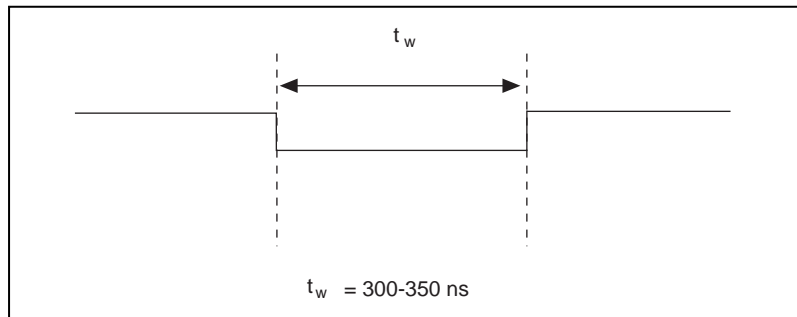
As an input, the UPDATE\* signal is configured in the edge-detection mode. You can select any PFI pin as the source for UPDATE\* and configure the polarity selection for either rising or falling edge. The selected edge of the UPDATE\* signal updates the outputs of the DACs. In order to use UPDATE\*, you must set the DACs to posted-update mode.

As an output, the UPDATE\* signal reflects the actual update pulse that is connected to the DACs. This is true even if the updates are being externally generated by another PFI. The output is an active low pulse with a pulse width of 300 to 350 ns. This signal is set to input (High-Z) at startup.

Figures 4-26 and 4-27 show the input and output timing requirements for the UPDATE\* signal.



**Figure 4-26.** UPDATE\* Input Signal Timing



**Figure 4-27.** UPDATE\* Output Signal Timing

The DACs are updated within 100 ns of the leading edge. Separate the UPDATE\* pulses with enough time that new data can be written to the DAC latches.

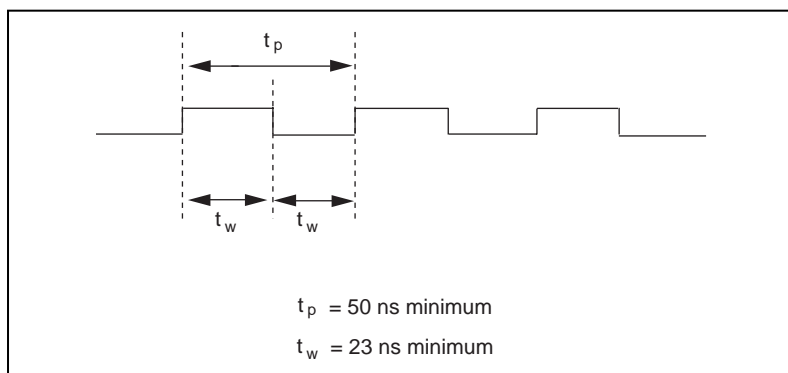
The VXI-MIO Series module UI counter normally generates the UPDATE\* signal unless you select some external source. The UI counter is started by the WFTRIG signal and can be stopped by software or the internal Buffer Counter.

D/A conversions generated by either an internal or external UPDATE\* signal do not occur when gated by the software command register gate.

## UISOURCE Signal

Any PFI pin can externally input the UISOURCE signal, which is not available as an output on the I/O connector. The UI counter uses the UISOURCE signal as a clock to time the generation of the UPDATE\* signal. You must configure the PFI pin you select as the source for the UISOURCE signal in the level-detection mode. You can configure the

polarity selection for the PFI pin for either active high or active low. Figure 4-28 shows the timing requirements for the UISOURCE signal.



**Figure 4-28.** UISOURCE Signal Timing

The maximum allowed frequency is 20 MHz, with a minimum pulse width of 23 ns high or low. There is no minimum frequency limitation.

Either the 20 MHz or 100 kHz internal timebase normally generates the UISOURCE signal unless you select some external source.

## General-Purpose Timing Signal Connections

The general-purpose timing signals are GPCTR0\_SOURCE, GPCTR0\_GATE, GPCTR0\_OUT, GPCTR0\_UP\_DOWN, GPCTR1\_SOURCE, GPCTR1\_GATE, GPCTR1\_OUT, GPCTR1\_UP\_DOWN, and FREQ\_OUT.

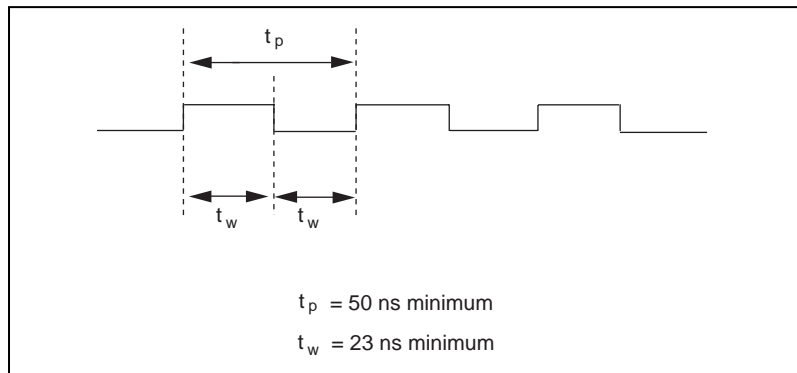
### GPCTR0\_SOURCE Signal

Any PFI pin can externally input the GPCTR0\_SOURCE signal, which is available as an output on the PFI8/GPCTR0\_SOURCE pin.

As an input, the GPCTR0\_SOURCE signal is configured in the edge-detection mode. You can select any PFI pin as the source for GPCTR0\_SOURCE and configure the polarity selection for either rising or falling edge.

As an output, the GPCTR0\_SOURCE signal reflects the actual clock connected to general-purpose counter 0. This is true even if another PFI is externally inputting the source clock. This signal is set to input (High-Z) at startup.

Figure 4-29 shows the timing requirements for the GPCTR0\_SOURCE signal.



**Figure 4-29.** GPCTR0\_SOURCE Signal Timing

The maximum allowed frequency is 20 MHz, with a minimum pulse width of 23 ns high or low. There is no minimum frequency limitation.

The 20 MHz or 100 kHz timebase normally generates the GPCTR0\_SOURCE signal unless you select some external source.

## GPCTR0\_GATE Signal

Any PFI pin can externally input the GPCTR0\_GATE signal, which is available as an output on the PFI9/GPCTR0\_GATE pin.

As an input, the GPCTR0\_GATE signal is configured in the edge-detection mode. You can select any PFI pin as the source for GPCTR0\_GATE and configure the polarity selection for either rising or falling edge. You can use the gate signal in a variety of different applications to perform actions such as starting and stopping the counter, generating interrupts, saving the counter contents, and so on.

As an output, the GPCTR0\_GATE signal reflects the actual gate signal connected to general-purpose counter 0. This is true even if the gate is being externally generated by another PFI. This signal is set to input (High-Z) at startup.

Figure 4-30 shows the timing requirements for the GPCTR0\_GATE signal.

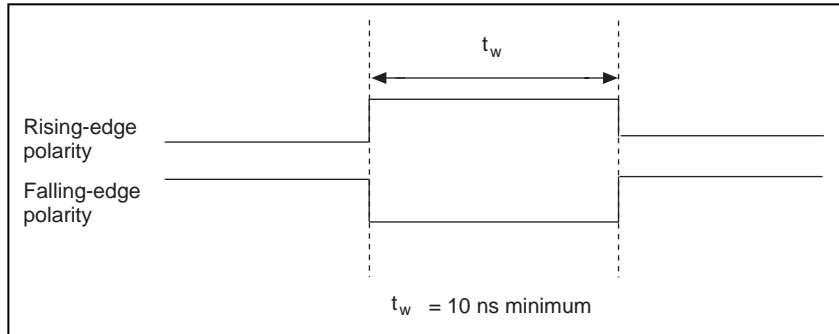


Figure 4-30. GPCTRO\_GATE Signal Timing in Edge-Detection Mode

### GPCTRO\_OUT Signal

This signal is available only as an output on the GPCTRO\_OUT pin. The GPCTRO\_OUT signal reflects the terminal count (TC) of general-purpose counter 0. You have two software-selectable output options— pulse on TC and toggle output polarity on TC. The output polarity is software-selectable for both options. This signal is set to input (High-Z) at startup. Figure 4-31 shows the timing of the GPCTRO\_OUT signal.

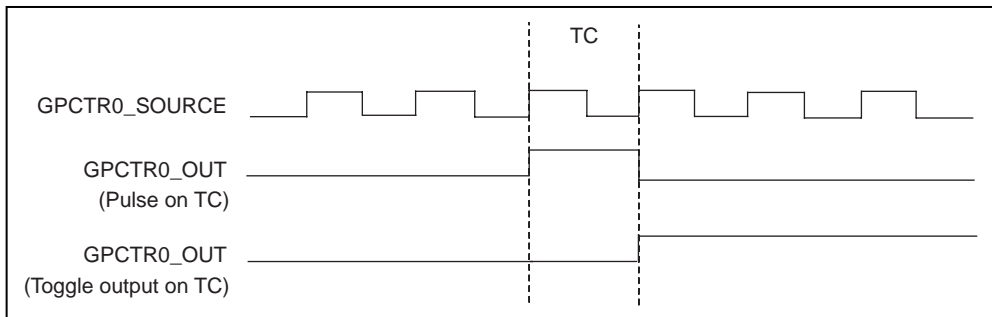


Figure 4-31. GPCTRO\_OUT Signal Timing

### GPCTRO\_UP\_DOWN Signal

This signal can be externally input on the DIO6 pin and is not available as an output on the I/O connector. The general-purpose counter 0 will count down when this pin is at a logic low and count up when it is at a logic high. You can disable this input so that software can control the up-down functionality and leave the DIO6 pin free for general use.

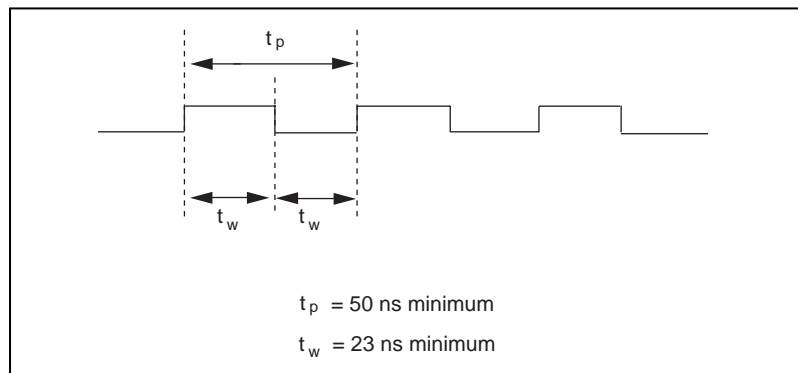
## GPCTR1\_SOURCE Signal

Any PFI pin can externally input the GPCTR1\_SOURCE signal, which is available as an output on the PFI3/GPCTR1\_SOURCE pin.

As an input, the GPCTR1\_SOURCE signal is configured in the edge-detection mode. You can select any PFI pin as the source for GPCTR1\_SOURCE and configure the polarity selection for either rising or falling edge.

As an output, the GPCTR1\_SOURCE monitors the actual clock connected to general-purpose counter 1. This is true even if the source clock is being externally generated by another PFI. This signal is set to input (High-Z) at startup.

Figure 4-32 shows the timing requirements for the GPCTR1\_SOURCE signal.



**Figure 4-32.** GPCTR1\_SOURCE Signal Timing

The maximum allowed frequency is 20 MHz, with a minimum pulse width of 23 ns high or low. There is no minimum frequency limitation.

The 20 MHz or 100 kHz timebase normally generates the GPCTR1\_SOURCE unless you select some external source.

## GPCTR1\_GATE Signal

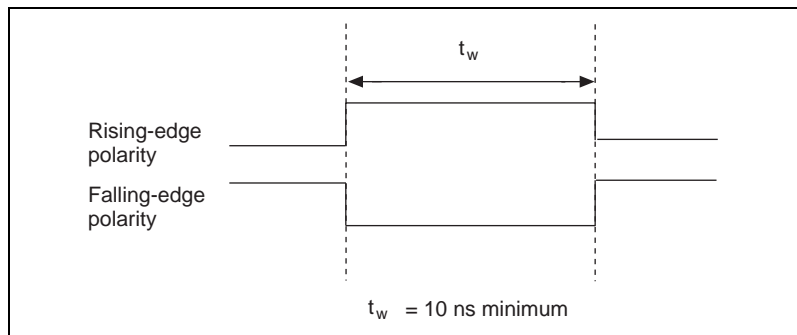
Any PFI pin can externally input the GPCTR1\_GATE signal, which is available as an output on the PFI4/GPCTR1\_GATE pin.

As an input, the GPCTR1\_GATE signal is configured in edge-detection mode. You can select any PFI pin as the source for GPCTR1\_GATE and

configure the polarity selection for either rising or falling edge. You can use the gate signal in a variety of different applications to perform such actions as starting and stopping the counter, generating interrupts, saving the counter contents, and so on.

As an output, the GPCTR1\_GATE signal monitors the actual gate signal connected to general-purpose counter 1. This is true even if the gate is being externally generated by another PFI. This signal is set to input (High-Z) at startup.

Figure 4-33 shows the timing requirements for the GPCTR1\_GATE signal.



**Figure 4-33.** GPCTR1\_GATE Signal Timing in Edge-Detection Mode

## GPCTR1\_OUT Signal

This signal is available only as an output on the GPCTR1\_OUT pin. The GPCTR1\_OUT signal monitors the TC module general-purpose counter 1. You have two software-selectable output options—pulse on TC and toggle output polarity on TC. The output polarity is software-selectable for both options. This signal is set to input (High-Z) at startup. Figure 4-34 shows the timing requirements for the GPCTR1\_OUT signal.



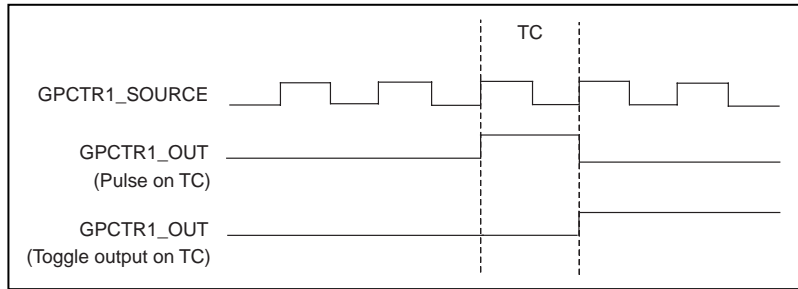


Figure 4-34. GPCTR1\_OUT Signal Timing

## GPCTR1\_UP\_DOWN Signal

This signal can be externally input on the DIO7 pin and is not available as an output on the I/O connector. General-purpose counter 1 counts down when this pin is at a logic low and counts up at a logic high. This input can be disabled so that software can control the up-down functionality and leave the DIO7 pin free for general use. Figure 4-35 shows the timing requirements for the GATE and SOURCE input signals and the timing specifications for the OUT output signals of your VXI-MIO Series module.

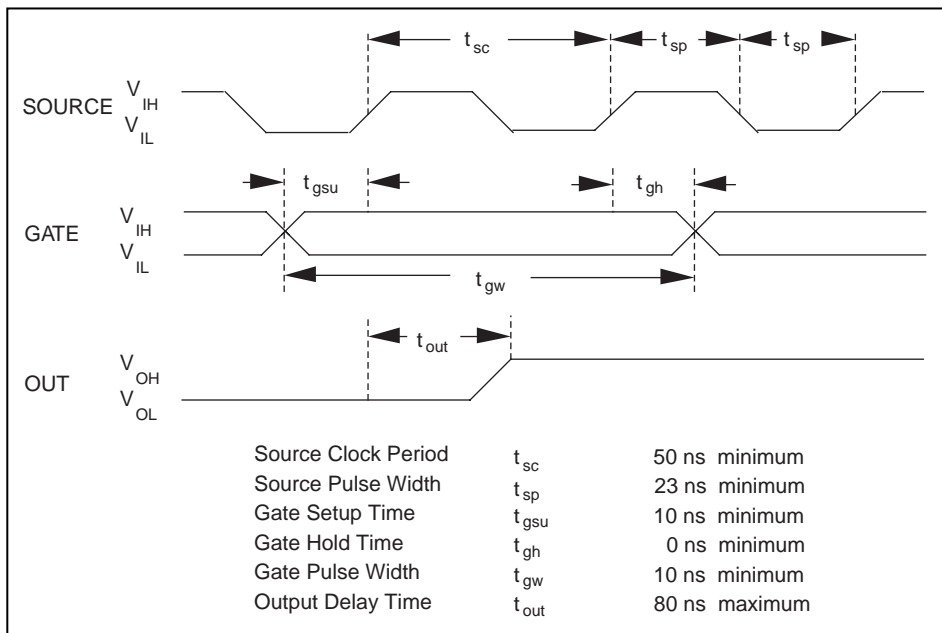


Figure 4-35. GPCTR Timing Summary

The GATE and OUT signal transitions shown in Figure 4-35 are referenced to the rising edge of the SOURCE signal. This timing diagram assumes that the counters are programmed to count rising edges. The same timing diagram, but with the source signal inverted and referenced to the falling edge of the source signal, would apply when the counter is programmed to count falling edges.

The GATE input timing parameters are referenced to the signal at the SOURCE input or to one of the internally generated signals on your VXI-MIO Series module. Figure 4-35 shows the GATE signal referenced to the rising edge of a source signal. The gate must be valid (either high or low) for at least 10 ns before the rising or falling edge of a source signal for the gate to take effect at that source edge, as shown by  $t_{gsu}$  and  $t_{gh}$  in Figure 4-35. The gate signal is not required to be held after the active edge of the source signal.

If an internal timebase clock is used, the gate signal cannot be synchronized with the clock. In this case, gates applied close to a source edge take effect either on that source edge or on the next one. This arrangement results in an uncertainty of one source clock period with respect to unsynchronized gating sources.

The OUT output timing parameters are referenced to the signal at the SOURCE input or to one of the internally generated clock signals on the VXI-MIO Series modules. Figure 4-35 shows the OUT signal referenced to the rising edge of a source signal. Any OUT signal state changes occur within 80 ns after the rising or falling edge of the source signal.

## FREQ\_OUT Signal

This signal is available only as an output on the FREQ\_OUT pin. The FREQ\_OUT signal is the output of the VXI-MIO Series module frequency generator. The frequency generator is a 4-bit counter that can divide its input clock by the numbers 1 through 16. The input clock of the frequency generator is software selectable from the internal 10 MHz and 100 kHz timebases. The output polarity is software selectable. This signal is set to input (High-Z) at startup.

# Field Wiring Considerations

---

Environmental noise can seriously affect the accuracy of measurements made with your VXI-MIO Series module if you do not take proper care when running signal wires between signal sources and the module. The following recommendations apply mainly to analog input signal routing to the module, although they also apply to signal routing in general.

Take the following precautions to minimize noise pickup and maximize measurement accuracy:

- Use differential analog input connections to reject common-mode noise.
- Use individually shielded, twisted-pair wires to connect analog input signals to the module. With this type of wire, the signals attached to the CH+ and CH- inputs are twisted together and then covered with a shield. You then connect this shield only at one point to the signal source ground. This kind of connection is required for signals traveling through areas with large magnetic fields or high electromagnetic interference.
- Route signals to the module carefully. Keep cabling away from noise sources. A common noise source in many data acquisition systems is the video monitor. Separate the monitor from the analog signals as much as possible.

The following recommendations apply for all signal connections to your VXI-MIO Series module:

- Separate VXI-MIO Series module signal lines from high-current or high-voltage lines. These lines are capable of inducing currents in or voltages on the VXI-MIO Series module signal lines if they run in parallel paths at a close distance. To reduce the magnetic coupling between lines, separate them by a reasonable distance if they run in parallel, or run the lines at right angles to each other.
- Do not run signal lines through conduits that also contain power lines.
- Protect signal lines from magnetic fields caused by electric motors, welding equipment, breakers, or transformers by running them through special metal conduits.

For more information, refer to the application note, *Field Wiring and Noise Consideration for Analog Signals* available from National Instruments.

# Calibration

---

Chapter

5

This chapter discusses the calibration procedures for your VXI-MIO Series module. NI-DAQ and the *VXIplug&play* instrument drivers include calibration functions for performing all of the steps in the calibration process.

Calibration refers to the process of minimizing measurement and output voltage errors by making small circuit adjustments. On the VXI-MIO Series modules, these adjustments take the form of writing values to onboard calibration DACs (CalDACs).

Some form of module calibration is required for all but the most forgiving applications. If you do not perform module calibration, your signals and measurements could have offset, gain, and linearity errors.

Three levels of calibration are available to you and described in this chapter. The first level is the fastest, easiest, and least accurate, whereas the last level is the slowest, most difficult, and most accurate.

## Loading Calibration Constants

---

Your VXI-MIO Series module is factory calibrated before shipment at approximately 25° C to the levels indicated in Appendix A, *Specifications*. The associated calibration constants—the values that were written to the CalDACs to achieve calibration in the factory—are stored in the onboard nonvolatile memory (EEPROM). Because the CalDACs have no memory capability, they do not retain calibration information when the module is unpowered. Loading calibration constants refers to the process of loading the CalDACs with the values stored in the EEPROM. NI-DAQ, the *VXIplug&play* instrument drivers, or your application software determine when this is necessary and do it automatically. If you are not using NI-DAQ, the *VXIplug&play* instrument drivers, or your application software, you must load these values yourself.

In the EEPROM there is a user-modifiable calibration area in addition to the permanent factory calibration area. This means that you can load

the CalDACs with values either from the original factory calibration or from a calibration that you subsequently performed.

This method of calibration is not very accurate because it does not take into account the fact that the module measurement and output voltage errors can vary with time and temperature. It is better to self-calibrate when the module is installed in the environment in which it will be used.

## Self-Calibration

---

Your VXI-MIO Series module can measure and correct for almost all of its calibration-related errors without any external signal connections. Your National Instruments software provides a self-calibration method for you. This self-calibration process, which generally takes less than a minute, is the preferred method of assuring accuracy in your application. Initiate self-calibration to ensure that you minimize the effects of any offset, gain, and linearity drifts, particularly those due to warmup.

Immediately after self-calibration, the only significant residual calibration error could be gain error due to time or temperature drift of the onboard voltage reference. External calibration addresses this error, which is discussed in the following section. If you are interested primarily in relative measurements, you can ignore a small amount of gain error, and self-calibration should be sufficient.

## External Calibration

---

Your VXI-MIO Series module has an onboard calibration reference to ensure the accuracy of self-calibration. Its specifications are listed in Appendix A, *Specifications*. The reference voltage is measured at the factory and stored in the EEPROM for subsequent self-calibrations. This voltage is stable enough for most applications, but if you are using your module at an extreme temperature or if the onboard reference has not been measured for a year or more, you may wish to externally calibrate your module.

An external calibration refers to calibrating your module with a known external reference rather than relying on the onboard reference. Redetermining the value of the onboard reference is part of this process and the results can be saved in the EEPROM, so you should not have to perform an external calibration very often. Externally calibrate your

module by calling the NI-DAQ or VXI*plug&play* instrument driver calibration function.

To externally calibrate your module, be sure to use a very accurate external reference. The reference should be several times more accurate than the module itself. For example, to calibrate a 12-bit module, the external reference should be at least  $\pm 0.005\%$  ( $\pm 50$  ppm) accurate. To calibrate a 16-bit module, the external reference should be at least  $\pm 0.001\%$  ( $\pm 10$  ppm) accurate.

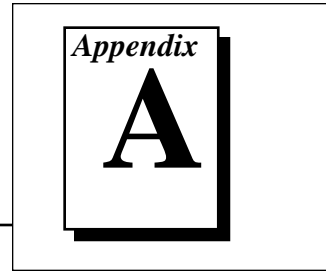
## Other Considerations

---

The CalDACs adjust the gain error of each analog output channel by adjusting the value of the reference voltage supplied to that channel. This calibration mechanism is designed to work only with the internal 10 V reference. Thus, in general, it is not possible to calibrate the analog output gain error when using an external reference. In this case, it is advisable to account for the nominal gain error of the analog output channel either in software or with external hardware. See Appendix A, *Specifications*, for analog output gain error information.

# Specifications

---



This appendix lists the specifications of each module in the VXI-MIO Series. These specifications are typical at 25° C unless otherwise noted.

## VXI-MIO-64E-1

---

### Analog Input

#### Input Characteristics

Number of channels .....	64 single-ended or 32 differential (software selectable)
Type of ADC.....	Successive approximation
Resolution .....	12 bits, 1 in 4,096
Max sampling rate.....	1.25 MS/s guaranteed

Input signal ranges .....

	Module Gain (Software Selectable)	Module Range (Software Selectable)	
		Bipolar	Unipolar
	0.5	±10 V	—
	1	±5 V	0 to 10 V
	2	±2.5 V	0 to 5 V
	5	±1 V	0 to 2 V
	10	±500 mV	0 to 1 V
	20	±250 mV	0 to 500 mV
	50	±100 mV	0 to 200 mV
	100	±50 mV	0 to 100 mV

Input coupling.....DC

Max working voltage

(signal + common mode).....Each input should remain within ±11 V of ground

Overvoltage protection.....±25 V powered on, ± 15 V powered off

Inputs protected ..... ACH<0..63>, AISENSE, AISENSE2

FIFO buffer size.....8,192 S

Data transfers.....DMA, interrupts, programmed I/O

Configuration memory size .....512 words



## Transfer Characteristics

Relative accuracy .....	$\pm 0.5$ LSB typ dithered, $\pm 1.5$ LSB max undithered
DNL .....	$\pm 0.5$ LSB typ, $\pm 1.0$ LSB max
No missing codes .....	12 bits, guaranteed
Offset error	
Pregain error after calibration .....	$\pm 12$ $\mu$ V max
Pregain error before calibration...	$\pm 2.5$ mV max
Postgain error after calibration....	$\pm 0.5$ mV max
Postgain error before calibration .	$\pm 100$ mV max
Gain error (relative to calibration reference)	
After calibration (gain = 1) .....	$\pm 0.02\%$ of reading max
Before calibration .....	$\pm 2.5\%$ of reading max
Gain $\neq 1$ with gain error adjusted to 0 at gain = 1 .....	$\pm 0.02\%$ of reading max

## Amplifier Characteristics

Input impedance	
Normal powered on.....	100 $\Omega$ in parallel with 100 pF
Powered off .....	1 k $\Omega$ min
Overload .....	1 k $\Omega$ min
Input bias current .....	$\pm 200$ pA
Input offset current.....	$\pm 100$ pA
CMRR, DC to 60 Hz	
Gain = 0.5 .....	95 dB
Gain = 1 .....	100 dB
Gain $\geq 2$ .....	106 dB

## Dynamic Characteristics

Bandwidth .....	<b>Small signal (-3 dB)</b>	<b>Large signal (1% THD)</b>
	1.6 MHz	1 MHz

Settling time for full-scale step .....

Gain	Accuracy		
	$\pm 0.012\%$ ( $\pm 0.5$ LSB)	$\pm 0.024\%$ ( $\pm 1$ LSB)	$\pm 0.098\%$ ( $\pm 4$ LSB)
All	3 $\mu$ s typ 5 $\mu$ s max	2 $\mu$ s typ 3 $\mu$ s max	1.8 $\mu$ s typ 2 $\mu$ s max

System noise (LSBrms) (not including quantization) .....

Gain	Noise, dither off	Noise, dither on
0.5 to 20	0.15	0.5
50	0.3	0.6
100	0.5	0.7

Crosstalk.....-70 dB, DC to 100 kHz

## Stability

Recommended warm-up time.....15 min

Offset temperature coefficient

Pregain .....  $\pm 5 \mu\text{V}/^\circ\text{C}$

Postgain.....  $\pm 240 \mu\text{V}/^\circ\text{C}$

Gain temperature coefficient..... $\pm 20 \text{ ppm}/^\circ\text{C}$

Onboard calibration reference

Level ..... 5.000 V ( $\pm 0.5$  mV) (actual value stored in EEPROM)

Temperature coefficient.....  $\pm 0.6 \text{ ppm}/^\circ\text{C}$  max

Long-term stability .....  $\pm 6 \text{ ppm}/\sqrt{1,000 \text{ h}}$

## Analog Output

### Output Characteristics

Number of channels .....	2 voltage
Resolution .....	12 bits, 1 in 4,096
Max update rate	
FIFO mode waveform generation	
Internally timed .....	1 MS/s per channel
All other cases .....	950 kS/s per channel
Type of DAC.....	Double buffered, multiplying
FIFO buffer size .....	2,048 samples
Data transfers .....	DMA, interrupts, programmed I/O

### Transfer Characteristics

Relative accuracy (INL)	
After calibration.....	$\pm 0.3$ LSB typ, $\pm 0.5$ LSB max
Before calibration .....	$\pm 4$ LSB max
DNL	
After calibration.....	$\pm 0.3$ LSB typ, $\pm 1.0$ LSB max
Before calibration .....	$\pm 3$ LSB max
Monotonicity.....	12 bits, guaranteed after calibration
Offset error	
After calibration.....	$\pm 1.0$ mV max
Before calibration .....	$\pm 200$ mV max
Gain error (relative to internal reference)	
After calibration.....	$\pm 0.01\%$ of output max
Before calibration .....	$\pm 0.5\%$ of output max

Gain error  
 (relative to external reference) .....+0% to +0.5% of output max, not adjustable

## Voltage Output

Ranges ..... $\pm 5$  V, 0 to 10 V,  $\pm$ EXTREF,  
 0 to EXTREF  
 (software-selectable)

Output coupling .....DC

Output impedance .....0.1  $\Omega$  max

Current drive..... $\pm 5$  mA max

Protection.....Short-circuit to ground

Power-on state .....0 V

External reference input

Range .....  $\pm 11$  V

Overvoltage protection .....  $\pm 25$  V powered on,  $\pm 15$  V  
 powered off

Input impedance ..... 10 k $\Omega$

Bandwidth (-3 dB)..... 1 MHz

## Dynamic Characteristics

Settling time for full-scale step .....3  $\mu$ s to  $\pm 0.5$  LSB accuracy

Slew rate .....20 V/ $\mu$ s

Noise .....200  $\mu$ Vrms, DC to 1 MHz

Glitch energy (at midscale transition)

Magnitude

Reglitching disabled.....  $\pm 70$  mV

Reglitching enabled .....  $\pm 40$  mV

Duration ..... 1.5  $\mu$ s

## Stability

Offset temperature coefficient..... $\pm 50$   $\mu$ V/ $^{\circ}$ C

Gain temperature coefficient

Internal reference.....  $\pm 25$  ppm/ $^{\circ}$ C

External reference.....  $\pm 25$  ppm/ $^{\circ}$ C

Onboard calibration reference

- Level..... 5.000 V ( $\pm 0.5$  mV) (actual value stored in EEPROM)
- Temperature coefficient .....  $\pm 0.6$  ppm/ $^{\circ}$ C max
- Long-term stability .....  $\pm 6$  ppm/ $\sqrt{1,000}$  h

## Digital I/O

Number of channels ..... 8 input/output

Compatibility ..... TTL/CMOS

Digital logic levels .....

Level	Min	Max
Input low voltage	0 V	0.8 V
Input high voltage	2 V	5 V
Input low current ( $V_{in} = 0$ V)	—	-320 $\mu$ A
Input high current ( $V_{in} = 5$ V)	—	10 $\mu$ A
Output low voltage ( $I_{OL} = 24$ mA)	—	0.4 V
Output high voltage ( $I_{OH} = 13$ mA)	4.35 V	—

Power-on state..... Input (High-Z)

Data transfers ..... Programmed I/O

## Timing I/O

Number of channels ..... 2 up/down counter/timers,  
1 frequency scaler

Resolution

Counter/timers ..... 24 bits

Frequency scalars..... 4 bits

Compatibility ..... TTL/CMOS

Base clocks available

Counter/timers ..... 20 MHz, 100 kHz

Frequency scalars .....	10 MHz, 100 kHz
Base clock accuracy .....	±0.01%
Max source frequency .....	20 MHz
Min source pulse duration .....	10 ns in edge-detect mode
Min gate pulse duration .....	10 ns in edge-detect mode
Data transfers .....	DMA, interrupts, programmed I/O

## Triggers

### Analog Trigger

Source .....	ACH<0..63>, PFI0/TRIG1
Level .....	± full-scale, internal; ±10 V, external
Slope .....	Positive or negative (software selectable)
Resolution .....	8 bits, 1 in 256
Hysteresis .....	Programmable
Bandwidth (-3 dB) .....	1.5 MHz internal, 7 MHz external
External input (PFI0/TRIG1)	
Impedance .....	10 kΩ
Coupling .....	DC
Protection .....	-0.5 to 5.5 V when configured as a digital signal; ±35 V when configured as an analog trigger signal or disabled; ±35 V powered off

### Digital Trigger

Compatibility .....	TTL
Response .....	Rising or falling edge
Pulse width .....	10 ns min

### VXIbus Trigger

Trigger lines .....	Supports 5 TTL and 2 ECL trigger lines
---------------------	--

## Power Requirement

+5 VDC.....	1.80 A typ; 2.16 A max* (*Not including current used by accessories.)
-5.2 VDC.....	0.15 A typ; 0.18 A max
-2 VDC.....	0.04 A typ; 0.06 A max
+24 VDC.....	0.09 A typ; 0.10 A max
-24 VDC.....	0.09 A typ; 0.10 A max
Power available at I/O connector.....	+4.65 VDC to +5.25 VDC at 1 A

## Physical

Dimensions .....	VXI C-size single slot
I/O connector .....	96-pin DIN

## Environment

Operating temperature .....	0° to 55° C
Storage temperature.....	-20° to 70° C
Relative humidity .....	5% to 90% noncondensing

# VXI-MIO-64XE-10

## Analog Input

### Input Characteristics

Number of channels .....64 single-ended or 32 differential (software selectable)  
 Type of ADC .....Successive approximation  
 Resolution.....16 bits, 1 in 65,536  
 Maximum sampling rate.....100 kS/s guaranteed  
 Input signal ranges .....

	Module Gain (Software Selectable)	Module Range (Software Selectable)	
		Bipolar	Unipolar
1		±10.0 V	0 to 10 V
2		±5.0 V	0 to 5 V
5		±2.0 V	0 to 2 V
10		±1.0 V	0 to 1 V
20		±0.5 V	0 to 0.5 V
50		±0.2 V	0 to 0.2 V
100		±0.1 V	0 to 0.1 V

Input coupling.....DC  
 Maximum working voltage .....Each input should remain within ±11 V of ground  
 Overvoltage protection.....±25 V powered on, ±15 V powered off  
     Inputs protected ..... ACH<0..63>, AISENSE, AISENSE2  
 FIFO buffer size.....512 S  
 Data transfers.....DMA, interrupts, programmed I/O  
 Configuration memory size .....512 words



## Transfer Characteristics

Relative accuracy .....	$\pm 0.75$ LSB typ, $\pm 1$ LSB max
DNL .....	$\pm 0.5$ LSB typ, $\pm 1$ LSB max
No missing codes .....	16 bits, guaranteed
Offset error	
Pregain error after calibration .....	$\pm 3$ $\mu$ V max
Pregain error before calibration .....	$\pm 2.2$ mV max
Postgain error after calibration .....	$\pm 76$ $\mu$ V max
Postgain error before calibration .....	$\pm 102$ mV max
Gain error (relative to calibration reference)	
After calibration (gain = 1) .....	$\pm 30.5$ ppm of reading max
Before calibration .....	$\pm 2,150$ ppm of reading max
With gain error adjusted to 0 at gain = 1	
Gain $\neq 1$ .....	$\pm 200$ ppm of reading

## Amplifier Characteristics

Input impedance	
Normal, powered on .....	100 $\Omega$ in parallel with 100 pF
Powered off .....	1 k $\Omega$ min
Overload .....	1 k $\Omega$ min
Input bias current .....	$\pm 1$ nA
Input offset current .....	$\pm 2$ nA
CMRR, DC to 60 Hz	
Gain = 1 .....	92 dB
Gain = 2 .....	97 dB
Gain = 5 .....	101 dB
Gain = 10 .....	104 dB
Gain = 20 .....	105 dB
Gain = 50 .....	105 dB
Gain = 100 .....	105 dB

## Dynamic Characteristics

### Bandwidth

All gains .....	255 kHz
Settling time for full-scale step, all gains and ranges	
To $\pm 0.5$ LSB .....	50 $\mu$ s typ
To $\pm 1$ LSB .....	25 $\mu$ s typ
To $\pm 6$ LSB .....	10 $\mu$ s typ
System noise (including quantization noise)	
Gain = 1, 2, 5, 10 .....	0.6 LSB rms bipolar, 0.8 LSB rms unipolar
Gain = 20 .....	0.7 LSB rms bipolar, 1.1 LSB rms unipolar
Gain = 50 .....	1.1 LSB rms bipolar, 2.0 LSB rms unipolar
Gain = 100 .....	2.0 LSB rms bipolar, 3.8 LSB rms unipolar
Dynamic range .....	91.7 dB, full-scale input with gain 1 to 10
Crosstalk .....	-70 dB max, DC to 100 kHz

## Stability

Recommended warm-up time .....	15 min.
Offset temperature coefficient	
Pregain .....	$\pm 5 \mu$ V/ $^{\circ}$ C
Postgain .....	$\pm 120 \mu$ V/ $^{\circ}$ C
Gain temperature coefficient .....	$\pm 7$ ppm/ $^{\circ}$ C
Onboard calibration reference	
Level .....	5.000 V ( $\pm 0.5$ mV) (actual value stored in EEPROM)
Temperature coefficient .....	$\pm 0.6$ ppm/ $^{\circ}$ C max
Long-term stability .....	$\pm 6$ ppm/ $\sqrt{1,000 \text{ h}}$

## Analog Output

### Output Characteristics

Number of channels .....	2 voltage
Resolution .....	16 bits, 1 in 65,536
Max update rate.....	100 kS/s
Type of DAC .....	Double-buffered
FIFO buffer size .....	2,048 samples
Data transfers .....	DMA, interrupts, programmed I/O

### Transfer Characteristics

Relative accuracy (INL) .....	$\pm 0.5$ LSB typ, $\pm 1$ LSB max
DNL .....	$\pm 1$ LSB max
Monotonicity .....	16 bits, guaranteed
Offset error	
After calibration.....	305 $\mu$ V max
Before calibration .....	20 mV max
Gain error (relative to internal reference)	
After calibration.....	$\pm 30.5$ ppm max
Before calibration .....	$\pm 2,000$ ppm max

### Voltage Output

Range .....	$\pm 10$ V, 0 to 10 V (software selectable)
Output coupling.....	DC
Output impedance .....	0.1 $\Omega$ max
Current drive .....	$\pm 5$ mA
Protection .....	Short-circuit to ground
Power-on state.....	0 V ( $\pm 20$ mV)

### Dynamic Characteristics

Settling time for full-scale step.....	10 $\mu$ s to $\pm 1$ LSB accuracy
Slew rate .....	5 V/ $\mu$ s
Noise.....	60 $\mu$ Vrms, DC to 1 MHz

## Stability

Offset temperature coefficient..... $\pm 50 \mu\text{V}/^\circ\text{C}$

Gain temperature coefficient..... $\pm 7.5 \text{ ppm}/^\circ\text{C}$

Onboard calibration reference

Level ..... 5.000 V ( $\pm 0.5 \text{ mV}$ ) (actual value stored in EEPROM)

Temperature coefficient.....  $\pm 0.6 \text{ ppm}/^\circ\text{C}$  max

Long-term stability .....  $\pm 6 \text{ ppm}/\sqrt{1,000 \text{ h}}$

## Digital I/O

Number of channels ..... 8 input/output

Compatibility ..... TTL/CMOS

Digital logic levels.....

Level	Min	Max
Input low voltage	0 V	0.8 V
Input high voltage	2 V	5 V
Input low current	—	-320 $\mu\text{A}$
Input high current	—	10 $\mu\text{A}$
Output low voltage ( $I_{\text{OL}} = 24 \text{ mA}$ )	—	0.4 V
Output high voltage ( $I_{\text{OH}} = 13 \text{ mA}$ )	4.35 V	—

Power-on state ..... Input (High-Z)

Data transfers ..... Programmed I/O

## Timing I/O

Number of channels .....	2 up/down counter/timers, 1 frequency scaler
Resolution	
Counter/timers .....	24 bits
Frequency scaler .....	4 bits
Compatibility .....	TTL/CMOS
Base clocks available	
Counter/timers .....	20 MHz, 100 kHz
Frequency scaler .....	10 MHz, 100 kHz
Base clock accuracy .....	$\pm 0.01\%$
Max source frequency .....	20 MHz
Min source pulse duration .....	10 ns, edge-detect mode
Min gate pulse duration .....	10 ns, edge-detect mode
Data transfers .....	DMA, interrupts, programmed I/O

## Triggers

### Analog Trigger

Source .....	ACH<0..63>, PFIO/TRIG1
Level .....	$\pm$ Fullscale, internal; $\pm 10$ V, external
Slope .....	Positive or negative (software selectable)
Resolution .....	12 bits, 1 in 4,096
Hysteresis .....	Programmable
Bandwidth (-3 dB) .....	255 kHz internal, 4 MHz external

<b>External input (PFIO/TRIG1)</b>	
Impedance .....	10 k $\Omega$
Coupling.....	DC
Protection .....	-0.5 to 5.5 V when configured as a digital signal; ±35 V when configured as an analog trigger signal or disabled; ±35 V powered off
Accuracy.....	±1% of fullscale range

### Digital Trigger

Compatibility .....	TTL
Response.....	Rising or falling edge
Pulse width .....	10 ns min

### VXIbus Trigger

Trigger lines.....	Supports 5 TTL and 2 ECL trigger lines
--------------------	--

## Power Requirement

+5 VDC .....	2.82 A typ; 3.38 A max* (*Not including current used by accessories.)
-5.2 VDC .....	0.15 A typ; 0.18 A max
-2 VDC .....	0.04 A typ; 0.06 A max
Power available at I/O connector .....	+4.65 VDC to +5.25 VDC at 1 A

## Physical

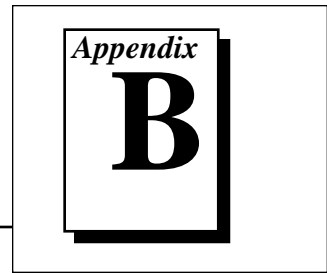
Dimensions .....	VXI C-size single slot
I/O connector .....	96-pin DIN

## Environment

Operating temperature.....	0 to 55° C
Storage temperature .....	-20 to 70° C
Relative humidity.....	5% to 90% noncondensing

# Optional Cable Connector Descriptions

---



This appendix describes the connectors on the optional cables for the VXI-MIO Series modules.

Figure B-1 shows the pin assignments for the 68-pin MIO connector. This connector is one of the two 68-pin connectors available when you use the SH966868 cable assembly with the VXI-MIO-64E-1 or VXI-MIO-64XE-10.

ACH8	34	68	ACH0
ACH1	33	67	AIGND
AIGND	32	66	ACH9
ACH10	31	65	ACH2
ACH3	30	64	AIGND
AIGND	29	63	ACH11
ACH4	28	62	AISENSE
AIGND	27	61	ACH12
ACH13	26	60	ACH5
ACH6	25	59	AIGND
AIGND	24	58	ACH14
ACH15	23	57	ACH7
DAC0OUT	22	56	AIGND
DAC1OUT	21	55	AOGND
EXTREF*	20	54	AOGND
DIO4	19	53	DGND
DGND	18	52	DIO0
DIO1	17	51	DIO5
DIO6	16	50	DGND
DGND	15	49	DIO2
+5 V	14	48	DIO7
DGND	13	47	DIO3
DGND	12	46	SCANCLK
PFI0/TRIG1	11	45	EXTSTROBE*
PFI1/TRIG2	10	44	DGND
DGND	9	43	PFI2/CONVERT*
+5 V	8	42	PFI3/GPCTR1_SOURCE
DGND	7	41	PFI4/GPCTR1_GATE
PFI5/UPDATE*	6	40	GPCTR1_OUT
PFI6/WFTRIG	5	39	DGND
DGND	4	38	PFI7/STARTSCAN
PFI9/GPCTR0_GATE	3	37	PFI8/GPCTR0_SOURCE
GPCTR0_OUT	2	36	DGND
FREQ_OUT	1	35	DGND

\* Not connected on the VXI-MIO-64XE-10

**Figure B-1.** 68-Pin MIO Connector Pin Assignments



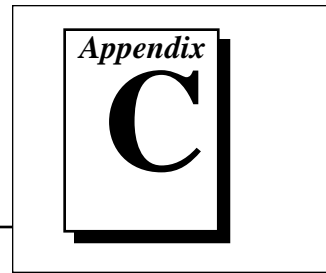
Figure B-2 shows the pin assignments for the 68-pin extended analog input connector. This is the other 68-pin connector available when you use the SH966868 cable assembly with the VXI-MIO-64E-1 or VXI-MIO-64XE-10.

ACH 24	34	68	ACH 16
ACH 17	33	67	ACH 25
ACH 18	32	66	ACH 26
ACH 27	31	65	ACH 19
ACH 20	30	64	ACH 28
ACH 21	29	63	ACH 29
ACH 30	28	62	ACH 22
ACH 23	27	61	ACH 31
ACH 32	26	60	ACH 40
ACH 41	25	59	ACH 33
ACH 34	24	58	ACH 42
ACH 35	23	57	ACH 43
AIGND	22	56	AISENSE2
ACH 44	21	55	ACH 36
ACH 37	20	54	ACH 45
ACH 38	19	53	ACH 46
ACH 47	18	52	ACH 39
ACH 48	17	51	ACH 56
ACH 49	16	50	ACH 57
ACH 58	15	49	ACH 50
ACH 51	14	48	ACH 59
ACH 52	13	47	ACH 60
ACH 61	12	46	ACH 53
ACH 54	11	45	ACH 62
ACH 55	10	44	ACH 63
NC	9	43	NC
NC	8	42	NC
NC	7	41	NC
NC	6	40	NC
NC	5	39	NC
NC	4	38	NC
NC	3	37	NC
NC	2	36	NC
NC	1	35	NC

**Figure B-2.** 68-Pin Extended Analog Input Connector Pin Assignments

# Common Questions

---



This appendix contains a list of commonly asked questions and their answers relating to usage and special features of your VXI-MIO Series module.

## General Information

### 1. What is the DAQ-STC?

The DAQ-STC is the system timing control ASIC (application-specific integrated circuit) designed by National Instruments and is the backbone of the VXI-MIO Series modules. The DAQ-STC contains seven 24-bit counters and three 16-bit counters. The counters are divided into three groups:

- Analog input—two 24-bit, two 16-bit counters
- Analog output—three 24-bit, one 16-bit counters
- General-purpose counter/timer functions—two 24-bit counters

The groups can be configured independently with timing resolutions of 50 ns or 10  $\mu$ s. With the DAQ-STC, you can interconnect a wide variety of internal timing signals to other internal blocks. The interconnection scheme is quite flexible and completely software configurable. New capabilities such as buffered pulse generation, equivalent time sampling, and seamlessly changing the sampling rate are possible.

### 2. How fast is each VXI-MIO Series module?

The last numeral in the name of an VXI-MIO Series module specifies the fastest sample period in microseconds for that particular module. For example, the VXI-MIO-64E-1 has a 1  $\mu$ s sample period, which corresponds to a sampling rate of 1.25 MS/s. These sampling rates are aggregate: one channel at 1.25 MS/s or two channels at 500 kS/s per channel illustrates the relationship. Notice, however, that some VXI-MIO Series modules have settling times that vary with gain and accuracy. See Appendix A for exact specifications.

**3. What type of 5 V protection do the VXI-MIO Series modules have?**

The VXI-MIO Series modules have 5 V lines equipped with a self-resetting 1 A fuse.

## Installation and Configuration

**4. What jumpers should I be aware of when configuring my VXI-MIO Series module?**

Refer to the *Module Configuration* section of Chapter 2, *Installation and Configuration*, for this information.

**5. Which National Instruments document should I read first to get started using DAQ software?**

The release notes document for your application or driver software is always the best starting place.

**6. What version of NI-DAQ must I have to program my VXI-MIO Series module?**

You must have NI-DAQ version 4.9.0 or higher for the VXI-MIO-64E-1 or VXI-MIO-64XE-10 modules.

**7. What is the best way to test my module without having to program the module?**

The NI-DAQ Configuration Utility (formerly WDAQCONF) has a **Test** menu with some excellent tools for doing simple functional tests of the module, such as analog input and output, digital I/O, and counter/timer tests. Also, the **Test Configuration** option will verify that the logical address and interrupt settings for the module are functioning properly.

## Analog Input and Output

**8. I'm using my module in differential analog input mode and I have connected a differential input signal, but my readings are random and drift rapidly. What's wrong?**

Check your ground reference connections. Your signal may be referenced to a level that is considered *floating* with reference to the module ground reference. Even if you are in differential mode, the signal *must* still be referenced to the same ground level as the module reference. There are various methods of achieving this

while maintaining a high common-mode rejection ratio (CMRR). These methods are outlined in Chapter 4, *Signal Connections*.

**9. Can I sample across a number of channels on a VXI-MIO Series module while each channel is being sampled at a different rate?**

NI-DAQ features a function called `SCAN_Sequence_Setup`, which allows for multirate scanning of your analog input channels. Refer to the *NI-DAQ Function Reference Manual for PC Compatibles* for more details.

**10. I'm using the DACs to generate a waveform, but I discovered with a digital oscilloscope that there are glitches on the output signal. Is this normal?**

When it switches from one voltage to another, any DAC produces glitches due to released charges. The largest glitches occur when the most significant bit (MSB) of the D/A code switches. You can build a lowpass deglitching filter to remove some of these glitches, depending on the frequency and nature of your output signal. The VXI-MIO-64E-1 module has built-in reglitchers, which can be enabled through software, on its analog output channels. See the *Analog Output Reglitch Selection* section in Chapter 3 for more information about reglitching.

**11. Can I synchronize a one-channel analog input data acquisition with a one-channel analog output waveform generation on my VXI-MIO Series module?**

Yes. One way to accomplish this is to use the waveform generation timing pulses to control the analog input data acquisition. To do this, follow steps a through d below, in addition to the usual steps for data acquisition and waveform generation configuration.

- a. Enable the PFI5 line for output, as follows:  
If you are using NI-DAQ, call `Select_Signal(deviceNumber, ND_PFI_5, ND_OUT_UPDATE, ND_HIGH_TO_LOW)`.  
If you are using LabVIEW, invoke the Route Signal VI with **signal name** set to **PFI5** and **signal source** set to **AO Update**.
- b. Set up data acquisition timing so that the timing signal for A/D conversion comes from PFI5, as follows:  
If you are using NI-DAQ, call `Select_Signal(deviceNumber, ND_IN_CONVERT, ND_PFI_5, ND_HIGH_TO_LOW)`.  
If you are using LabVIEW, invoke the AI Clock Config VI with **clock source code** set to **PFI pin, high to low**, and **clock source string** set to **5**.
- c. Initiate analog input data acquisition, which will start only when the analog output waveform generation starts.  
If you are using NI-DAQ, call `DAQ_Start` with appropriate parameters.  
If you are using LabVIEW, invoke the AI Control VI with **control code** set to **0** (start).
- d. Initiate analog output waveform generation.  
If you are using NI-DAQ, call `WFM_Group_Control` with **operation** set to **1** (start).  
If you are using LabVIEW, invoke the AO Control VI with **control code** set to **0** (start).

## Timing and Digital I/O

### 12. What types of triggering can be hardware implemented on my VXI-MIO Series module?

Digital triggering is supported by hardware on every VXI-MIO Series module. In addition, the VXI-MIO-64E-1 and VXI-MIO-64XE-10 support analog triggering in hardware.

### 13. What added functionality does the DAQ-STC make possible in contrast to the Am9513?

The DAQ-STC incorporates much more than just 10 Am9513-style counters within one chip. In fact, the DAQ-STC has the complexity of more than 24 chips. The DAQ-STC makes possible PFI lines,

analog triggering, selectable logic level, and frequency shift keying. The DAQ-STC also makes buffered operations possible, such as direct up/down control, single or pulse train generation, equivalent time sampling, buffered period, and buffered semiperiod measurement.

**14. I'm using one of the general-purpose counter/timers on my VXI-MIO Series module, but I do not see the counter/timer output on the I/O connector. What am I doing wrong?**

If you are using the NI-DAQ language interface or LabWindows/CVI, you must configure the output line to output the signal to the I/O connector. Use the `Select_Signal` call in NI-DAQ to configure the output line. By default, all timing I/O lines except `EXTSTROBE*` are tri-stated.

**15. How does NI-DAQ treat bogus missed data transfer errors that can arise during DMA-driven GPCTR buffered-input operations?**

When doing buffered transfers using GPCTR function calls with DMA, you can call `GPCTR_Watch` to indicate **dataTransfer** errors. NI-DAQ takes a snapshot of transfers and counts how many points have been transferred. If all the points have been transferred and the first instance of this error occurs, NI-DAQ returns a **gpctrDataTransferWarning** indicating that the error could be bogus. If all the points have not been transferred, NI-DAQ returns the **genuine error**. The error continues to be returned until the acquisition completes. The error occurs because NI-DAQ disarms the counter from generating any more requests in the interrupt service routine. Due to interrupt latencies, it is possible that the counter may have generated some spurious requests which the DMA controller may not satisfy because it has already transferred the required number of points.

**16. What are the PFIs and how do I configure these lines?**

PFIs are Programmable Function Inputs. These lines serve as connections to virtually all internal timing signals.

If you are using the NI-DAQ language interface or LabWindows/CVI, use the `Select_Signal` function to route internal signals to the I/O connector, route external signals to internal timing sources, or tie internal timing signals together.

If you are using NI-DAQ with LabVIEW and you want to connect external signal sources to the PFI lines, you can use the AI Clock Config, AI Trigger Config, AO Clock Config, AO Trigger and

Gate Config, CTR Mode Config, and CTR Pulse Config advanced level VIs to indicate which function the connected signal will serve. Use the Route Signal VI to enable the PFI lines to output internal signals.



**Warning:** *If you enable a PFI line for output, do not connect any external signal source to it; if you do, you can damage the module and the connected equipment.*

**17. What are the power-on states of the PFI and DIO lines on the I/O connector?**

At system power-on and reset, both the PFI and DIO lines are set to high impedance by the hardware. This means that the module circuitry is not actively driving the output either high or low. However, these lines may have pull-up or pull-down resistors connected to them as shown in Table 4-1. These resistors weakly pull the output to either a logic high or logic low state. For example, DIO(0) will be in the high-impedance state after power on, and Table 4-1 shows that there is a 50 k $\Omega$  pull-up resistor. This pull-up resistor will set the DIO(0) pin to a logic high when the output is in a high-impedance state.

# Customer Communication

---

Appendix

D

For your convenience, this appendix contains forms to help you gather the information necessary to help us solve your technical problems and a form you can use to comment on the product documentation. When you contact us, we need the information on the Technical Support Form and the configuration form, if your manual contains one, about your system configuration to answer your questions as quickly as possible.

National Instruments has technical assistance through electronic, fax, and telephone systems to quickly provide the information you need. Our electronic services include a bulletin board service, an FTP site, a FaxBack system, and e-mail support. If you have a hardware or software problem, first try the electronic support systems. If the information available on these systems does not answer your questions, we offer fax and telephone support through our technical support centers, which are staffed by applications engineers.

## Electronic Services



### Bulletin Board Support

National Instruments has BBS and FTP sites dedicated for 24-hour support with a collection of files and documents to answer most common customer questions. From these sites, you can also download the latest instrument drivers, updates, and example programs. For recorded instructions on how to use the bulletin board and FTP services and for BBS automated information, call (512) 795-6990. You can access these services at:

United States: (512) 794-5422 or (800) 327-3077

Up to 14,400 baud, 8 data bits, 1 stop bit, no parity

United Kingdom: 01635 551422

Up to 9,600 baud, 8 data bits, 1 stop bit, no parity

France: 1 48 65 15 59

Up to 9,600 baud, 8 data bits, 1 stop bit, no parity



### FTP Support

To access our FTP site, log on to our Internet host, `ftp.natinst.com`, as anonymous and use your Internet address, such as `joesmith@anywhere.com`, as your password. The support files and documents are located in the `/support` directories.





## FaxBack Support

FaxBack is a 24-hour information retrieval system containing a library of documents on a wide range of technical information. You can access FaxBack from a touch-tone telephone at (512) 418-1111.



## E-Mail Support (currently U.S. only)

You can submit technical support questions to the appropriate applications engineering team through e-mail at the Internet addresses listed below. Remember to include your name, address, and phone number so we can contact you with solutions and suggestions.

GPIB: [gpib.support@natinst.com](mailto:gpib.support@natinst.com)

LabVIEW: [lv.support@natinst.com](mailto:lv.support@natinst.com)

DAQ: [daq.support@natinst.com](mailto:daq.support@natinst.com)

HiQ: [hiq.support@natinst.com](mailto:hiq.support@natinst.com)

VXI: [vxi.support@natinst.com](mailto:vxi.support@natinst.com)

VISA: [visa.support@natinst.com](mailto:visa.support@natinst.com)

LabWindows: [lw.support@natinst.com](mailto:lw.support@natinst.com)

Lookout: [lookout.support@natinst.com](mailto:lookout.support@natinst.com)

## Fax and Telephone Support

National Instruments has branch offices all over the world. Use the list below to find the technical support number for your country. If there is no National Instruments office in your country, contact the source from which you purchased your software to obtain support.



### Telephone



### Fax

Australia	03 9879 5166	03 9879 6277
Austria	0662 45 79 90 0	0662 45 79 90 19
Belgium	02 757 00 20	02 757 03 11
Canada (Ontario)	905 785 0085	905 785 0086
Canada (Quebec)	514 694 8521	514 694 4399
Denmark	45 76 26 00	45 76 26 02
Finland	90 527 2321	90 502 2930
France	01 48 14 24 24	01 48 14 24 14
Germany	089 741 31 30	089 714 60 35
Hong Kong	2645 3186	2686 8505
Israel	03 5734815	03 5734816
Italy	02 413091	02 41309215
Japan	03 5472 2970	03 5472 2977
Korea	02 596 7456	02 596 7455
Mexico	95 800 010 0793	5 520 3282
Netherlands	0348 433466	0348 430673
Norway	32 84 84 00	32 84 86 00
Singapore	2265886	2265887
Spain	91 640 0085	91 640 0533
Sweden	08 730 49 70	08 730 43 70
Switzerland	056 200 51 51	056 200 51 55
Taiwan	02 377 1200	02 737 4644
U.K.	01635 523545	01635 523154

# Technical Support Form

Photocopy this form and update it each time you make changes to your software or hardware, and use the completed copy of this form as a reference for your current configuration. Completing this form accurately before contacting National Instruments for technical support helps our applications engineers answer your questions more efficiently.

If you are using any National Instruments hardware or software products related to this problem, include the configuration forms from their user manuals. Include additional pages if necessary.

Name \_\_\_\_\_

Company \_\_\_\_\_

Address \_\_\_\_\_

\_\_\_\_\_

Fax (\_\_\_\_) \_\_\_\_\_ Phone (\_\_\_\_) \_\_\_\_\_

Computer brand \_\_\_\_\_ Model \_\_\_\_\_ Processor \_\_\_\_\_

Operating system (include version number) \_\_\_\_\_

Clock speed \_\_\_\_\_MHz RAM \_\_\_\_\_MB Display adapter \_\_\_\_\_

Mouse \_\_\_yes \_\_\_no Other adapters installed \_\_\_\_\_

Hard disk capacity \_\_\_\_\_MB Brand \_\_\_\_\_

Instruments used \_\_\_\_\_

\_\_\_\_\_

National Instruments hardware product model \_\_\_\_\_ Revision \_\_\_\_\_

Configuration \_\_\_\_\_

National Instruments software product \_\_\_\_\_ Version \_\_\_\_\_

Configuration \_\_\_\_\_

The problem is: \_\_\_\_\_

\_\_\_\_\_

\_\_\_\_\_

\_\_\_\_\_

\_\_\_\_\_

List any error messages: \_\_\_\_\_

\_\_\_\_\_

\_\_\_\_\_

The following steps reproduce the problem: \_\_\_\_\_

\_\_\_\_\_

\_\_\_\_\_

\_\_\_\_\_

\_\_\_\_\_

# VXI-MIO Series Hardware and Software Configuration Form

Record the settings and revisions of your hardware and software on the line to the right of each item. Complete a new copy of this form each time you revise your software or hardware configuration, and use this form as a reference for your current configuration. Completing this form accurately before contacting National Instruments for technical support helps our applications engineers answer your questions more efficiently.

## National Instruments Products

VXI-MIO Series Module \_\_\_\_\_

VXI-MIO Series Module Serial Number \_\_\_\_\_

Interrupt Level of VXI-MIO Series Module \_\_\_\_\_

DMA Channels of VXI-MIO Series Module \_\_\_\_\_

Base I/O Address of VXI-MIO Series Module \_\_\_\_\_

Programming Choice (NI-DAQ, LabVIEW, LabWindows/CVI, or other) \_\_\_\_\_

Software Version \_\_\_\_\_

## Other Products

Computer Model \_\_\_\_\_

Microprocessor \_\_\_\_\_

Clock Frequency \_\_\_\_\_

Type of Video Board Installed \_\_\_\_\_

Operating System (DOS or Windows) \_\_\_\_\_

Operating System Version \_\_\_\_\_

Operating System Mode \_\_\_\_\_

Programming Language \_\_\_\_\_

Programming Language Version \_\_\_\_\_

Other Boards in System \_\_\_\_\_

Base I/O Address of Other Boards \_\_\_\_\_

DMA Channels of Other Boards \_\_\_\_\_

Interrupt Level of Other Boards \_\_\_\_\_

# Documentation Comment Form

National Instruments encourages you to comment on the documentation supplied with our products. This information helps us provide quality products to meet your needs.

**Title:** *VXI-MIO Series User Manual*

**Edition Date:** August 1996

**Part Number:** 321246A-01

Please comment on the completeness, clarity, and organization of the manual.

---

---

---

---

---

---

---

---

If you find errors in the manual, please record the page numbers and describe the errors.

---

---

---

---

---

---

---

---

Thank you for your help.

Name \_\_\_\_\_

Title \_\_\_\_\_

Company \_\_\_\_\_

Address \_\_\_\_\_

Phone ( ) \_\_\_\_\_

**Mail to:** Technical Publications  
National Instruments Corporation  
6504 Bridge Point Parkway  
Austin, TX 78730-5039

**Fax to:** Technical Publications  
National Instruments Corporation  
(512) 794-5678

<b>Prefix</b>	<b>Meaning</b>	<b>Value</b>
p-	pico-	$10^{-12}$
n-	nano-	$10^{-9}$
$\mu$ -	micro-	$10^{-6}$
m-	milli-	$10^{-3}$
k-	kilo-	$10^3$
M-	mega-	$10^6$
G-	giga-	$10^9$

## Symbols

°	degree
-	negative of, or minus
$\Omega$	ohm
/	per
%	percent
±	plus or minus
+	positive of, or plus
$\sqrt{\quad}$	square root of
+5V	+5 VDC source signal

## A

A	amperes
A16 space	VXIbus address space equivalent to the VME 64 KB short address space. In VXI, the upper 16 KB of A16 space is allocated for use by VXI module's configuration registers. This 16 KB region is referred to as VXI configuration space.
A24 space	VXIbus address space equivalent to the VME 16 MB standard address space.
A32 space	VXIbus address space equivalent to the VME 4 GB extended address space.
AC	alternating current
ACH	analog input channel signal
A/D	analog-to-digital
ADC	A/D converter
address space	A set of $2n$ memory locations differentiated from other such sets in VXI/VMEbus systems by six addressing lines known as address modifiers. $n$ is the number of address lines required to uniquely specify a byte location in a given space. Valid numbers for $n$ are 16, 24, and 32. In VME/VXI, because there are six address modifiers, there are 64 possible address spaces.
address window	A portion of address space that can be accessed from the application program.
AIGATE	analog input gate signal
AIGND	analog input ground signal
AISENSE	analog input sense signal
AISENSE2	analog input sense 2 signal
ANSI	American National Standards Institute
AOGND	analog output ground signal

**B**

backplane	An assembly, typically a printed circuit board, with 96-pin connectors and signal paths that bus the connector pins. VXIbus systems will have two sets of bused connectors, called the J1 and J2 backplanes, or have three sets of bused connectors, called the J1, J2, and J3 backplane.
base address	A memory address that serves as the starting address for programmable registers. All other addresses are located by adding to the base address.
BCD	binary-coded decimal
BIOS	basic input/output system or built-in operating system
bipolar	A signal range that includes both positive and negative values (for example, -5 to +5 V).
bit	One binary digit, either 0 or 1.
bus	The group of conductors that interconnect individual circuitry in a computer. Typically, a bus is the expansion vehicle to which I/O or other devices are connected.
byte	Eight related bits of data, an eight-bit binary number. Also used to denote the amount of memory required to store one byte of data.

**C**

C	Celsius
CalDAC	calibration DAC
channel	Pin or wire lead to which you apply or from which you read the analog or digital signal. Analog signals can be single-ended or differential. For digital signals, you group channels to form ports. Ports usually consist of either four or eight digital channels.
clock	Hardware component that controls timing for reading from or writing to groups.
CMOS	complementary metal-oxide semiconductor
CMRR	common-mode rejection ratio

command	Any communication, from a Commander to a Message-Based-Servant, that consists of a write to the Servants Data Low register, possibly preceded by a write to the Data High or Data High and Data Extended registers.
commander	A message-based device that is also a bus master and can control one or more servants.
component software	An application that contains one or more component objects that can freely interact with other component software. Examples include OLE-enabled applications such as Microsoft Visual Basic and OLE Controls for virtual instrumentation in ComponentWorks.
Configuration Registers	(1) A set of registers through which the system can identify a module device type, model, manufacturer, address space, and memory requirements. In order to support automatic system and memory configuration, the VXIbus specification requires that all VXIbus devices have a set of such registers. (2) The A16 registers of a device that are required for the system configuration process.
CONVERT*	convert signal
counter/timer	A circuit that counts external pulses or clock pulses (timing).
crosstalk	An unwanted signal on one channel due to an input on a different channel.

## D

D/A	digital-to-analog
DAC	D/A converter
DAC0OUT	analog channel 0 output signal
DAC1OUT	analog channel 1 output signal
DAQ	data acquisition—(1) Collecting and measuring electrical signals from sensors, transducers, and test probes or fixtures and inputting them to a computer for processing; (2) Collecting and measuring the same kinds of electrical signals with A/D and/or DIO boards plugged into a computer, and possibly generating control signals with D/A and/or DIO boards in the same computer.
DC	direct current



default setting	A default parameter value recorded in the driver. In many cases, the default input of a control is a certain value (often 0) that means use the current default setting. For example, the default input for a parameter may be do not change current setting, and the default setting may be no AMUX-64T boards. If you do change the value of such a parameter, the new value becomes the new setting. You can set default settings for some parameters in the configuration utility or by manually using switches located on the device.
device	(1) A plug-in data acquisition board, card, or pad that can contain multiple channels and conversion devices. Plug-in boards, PCMCIA cards, and devices such as the DAQPad-1200, which connects to your computer parallel port, are all examples of DAQ devices. (2) A component of a VXIbus system, normally one VXIbus board. However, multiple-slot devices and multiple-device modules can operate on a VXIbus system as a single device. Some examples of devices are computers, multimeters, multiplexers, oscillators, operator interfaces, and counters.
DGND	digital ground signal
DIFF	differential mode
differential input	An analog input consisting of two terminals, both of which are isolated from computer ground, whose difference is measured.
DIO	digital input/output
dithering	The addition of Gaussian noise to an analog input signal.
DLL	Dynamic Link Library—A software module in Microsoft Windows containing executable code and data that can be called or used by Windows applications or by other DLLs. Functions and data in a DLL are loaded and linked at run time when they are referenced by a Windows application or other DLLs.
DMA	Direct Memory Access—A method by which data can be transferred to/from computer memory from/to a device or memory on the bus while the processor does something else. DMA is the fastest method of transferring data to/from computer memory.
DNL	differential nonlinearity—A measure in LSB of the worst-case deviation of code widths from their ideal value of 1 LSB.
DRAM	Dynamic RAM
drivers/driver software	Software that controls a specific hardware device such as a DAQ board.

dual-access memory	Memory that can be sequentially, but not simultaneously, accessed by more than one controller or processor. Also known as shared memory.
dual-ported memory	Memory that can be simultaneously accessed by more than one controller or processor.
dynamic configuration	A method of automatically assigning logical addresses to VXIbus devices at system startup or other configuration times. Each slot can contain one or more devices. Different devices within a slot can share address decoding hardware.
dynamically configured device	A device that has its logical address assigned by the Resource Manager. A VXI device initially responds at Logical Address 255 when its MODID line is asserted. The Resource Manager subsequently assigns it a new logical address, which the device responds to until powered down.
dynamic range	The ratio of the largest signal level a circuit can handle to the smallest signal level it can handle (usually taken to be the noise level), normally expressed in dB.

## E

ECL	Emitter-Coupled Logic
EEPROM	electrically erasable programmable read-only memory—ROM that can be erased with an electrical signal and reprogrammed.
EISA	Extended Industry Standard Architecture
embedded controller	An intelligent CPU (controller) interface plugged directly into the VXI backplane, giving it direct access to the VXIbus. It must have all of its required VXI interface capabilities built in.
event	Signals or interrupts generated by a device to notify another device of an asynchronous event. The contents of events are device-dependent.
external controller	In this configuration, a plug-in interface board in a computer is connected to the VXI mainframe via one or more VXIbus extended controllers. The computer then exerts overall control over VXIbus system operations.
external trigger	A voltage pulse from an external source that triggers an event such as A/D conversion.
EXTREF	external reference signal
EXTSTROBE	external strobe signal

**F**

FIFO	first-in-first-out memory buffer—The first data stored is the first data sent to the acceptor. FIFOs are often used on DAQ devices to temporarily store incoming or outgoing data until that data can be retrieved or output. For example, an analog input FIFO stores the results of A/D conversions until the data can be retrieved into system memory, a process that requires the servicing of interrupts and often the programming of the DMA controller. This process can take several milliseconds in some cases. During this time, data accumulates in the FIFO for future retrieval. With a larger FIFO, longer latencies can be tolerated. In the case of analog output, a FIFO permits faster update rates, because the waveform data can be stored on the FIFO ahead of time. This again reduces the effect of latencies associated with getting the data from system memory to the DAQ device.
floating signal sources	Signal sources with voltage signals that are not connected to an absolute reference or system ground. Also called nonreferenced signal sources. Some common example of floating signal sources are batteries, transformers, or thermocouples.
FREQ_OUT	frequency output signal
ft	feet
function	A set of software instructions executed by a single line of code that may have input and/or output parameters and returns a value when executed.

**G**

gain	The factor by which a signal is amplified, sometimes expressed in decibels.
gain accuracy	A measure of deviation of the gain of an amplifier from the ideal gain.
GND	ground signal or bit
GPCTR0_GATE	general purpose counter 0 gate signal
GPCTR1_GATE	general purpose counter 1 gate signal
GPCTR0_OUT	general purpose counter 0 output signal
GPCTR1_OUT	general purpose counter 1 output signal
GPCTR0_SOURCE	general purpose counter 0 clock source signal

GPCTR1_SOURCE	general purpose counter 1 clock source signal
group	A collection of digital ports, combined to form a larger entity for digital input and/or output. Groups can contain analog input, analog output, digital input, digital output, or counter/timer channels. A group can contain only one type of channel, however. You use a task ID number to refer to a group after you create it. You can define up to 16 groups at one time. To erase a group, you pass an empty channel array and the group number to the group configuration VI. You do not need to erase a group to change its membership. If you reconfigure a group whose task is active, LabVIEW clears the task and returns a warning. LabVIEW does not restart the task after you reconfigure the group.

## H

h	hour
hardware	The physical components of a computer system, such as the circuit boards, plug-in boards, chassis, enclosures, peripherals, cables, and so on.
hardware triggering	A form of triggering where you set the start time of an acquisition and gather data at a known position in time relative to a trigger signal.
hex	hexadecimal
Hz	hertz—A unit of frequency equal to one cycle per second.

## I

IC	integrated circuit
in.	inches
INL	Integral Nonlinearity—A measure in LSB of the worst-case deviation from the ideal A/D or D/A transfer characteristic of the analog I/O circuitry.
input range	The difference between the maximum and minimum voltages an analog input channel can measure at a gain of 1. The input range is a scalar value, not a pair of numbers. By itself the input range does not uniquely determine the upper and lower voltage limits. An input range of 10 V could mean an upper limit of +10 V and a lower of 0 V or an upper limit of +5 V and a lower limit of -5 V. The combination of input range, polarity, and gain determines the input limits of an analog input channel. For some boards, jumpers

	set the input range and polarity, while you can program them for other boards. Most boards have programmable gains.
instrument driver	A set of high-level software functions that controls a specific VXI or RS-232 programmable instrument or a specific plug-in DAQ board.
interrupt	A computer signal indicating that the CPU should suspend its current task to service a designated activity.
interrupt level	The relative priority at which a device can interrupt.
interval scanning	Scanning method where there is a longer interval between scans than there is between individual channels comprising a scan.
I/O	input/output—The transfer of data to/from a computer system involving communications channels, operator interface devices, and/or data acquisition and control interfaces.
I <sub>OH</sub>	current, output high
I <sub>OL</sub>	current, output low
ISA	Industry Standard Architecture
<b>K</b>	
KB	kilobytes—1,024 bytes when referring to memory
kS	1,000 samples
<b>L</b>	
LabVIEW	Laboratory Virtual Instrument Engineering Workbench
LASTCHAN	last channel (bit)
LED	light-emitting diode
logical address	An 8-bit number that uniquely identifies each VXIbus device in a system. It defines the A16 register addresses of a device, and indicates Commander and Servant relationships.
LSB	least significant bit

## M

m	meters
mainframe	The chassis of a VXIbus system that mechanically contains VXI modules inserted into the backplane, ensuring that connectors fit properly and that adjacent modules do not contact each other. It also provides cooling airflow, and ensures that modules do not disengage from the backplane due to vibration or shock.
MB	megabytes of memory
memory device	A memory storage device that has configuration registers.
MIO	multifunction I/O
MITE	A National Instruments custom ASIC. A sophisticated dual-channel DMA controller that incorporates the Synchronous MXI and VME64 protocols to achieve high-performance block transfer rates.
module	Typically a board assembly and its associated mechanical parts, front panel, optional shields, and so on. A module contains everything required to occupy one or more slots in a mainframe.
MSB	most significant bit
multitasking	A property of an operating system in which several processes can be run simultaneously.
mux	multiplexer—A switching device with multiple inputs that sequentially connects each of its inputs to its output, typically at high speeds, in order to measure several signals with a single analog input channel.

## N

NC	Normally closed, or not connected
NI-DAQ	National Instruments driver software for DAQ hardware
node	Execution elements of a block diagram consisting of functions, structures, and subVIs
noise	An undesirable electrical signal—Noise comes from external sources such as the AC power line, motors, generators, transformers, fluorescent lights, soldering irons, CRT displays, computers, electrical storms, welders, radio transmitters, and

internal sources such as semiconductors, resistors, and capacitors. Noise corrupts signals you are trying to send or receive.

**NRSE** nonreferenced single-ended mode—All measurements are made with respect to a common (NRSE) measurement system reference, but the voltage at this reference can vary with respect to the measurement system ground.

## O

**OLE** Object Linking and Embedding—A set of system services that provides a means for applications to interact and interoperate. Based on the underlying Component Object Model, OLE is object-enabling system software. Through OLE Automation, an application can dynamically identify and use the services of other applications, to build powerful solutions using packaged software. OLE also makes it possible to create compound documents consisting of multiple sources of information from different applications.

**onboard channels** Channels provided by the plug-in data acquisition board.

**operating system** Base-level software that controls a computer, runs programs, interacts with users, and communicates with installed hardware or peripheral devices.

**optical isolation** The technique of using an optoelectric transmitter and receiver to transfer data without electrical continuity, to eliminate high-potential differences and transients.

**OUT** output

**output limits** The upper and lower voltage or current outputs for an analog output channel. The output limits determine the polarity and voltage reference settings for a board.

**output settling time** The amount of time required for the analog output voltage to reach its final value within specified limits.

## P

**PC** personal computer

**PFI** Programmable Function Input

**PGIA** Programmable Gain Instrumentation Amplifier

plug and play devices	Devices that do not require dip switches or jumpers to configure resources on the devices—also called switchless devices.
port	(1) A communications connection on a computer or a remote controller. (2) A digital port, consisting of four or eight lines of digital input and/or output.
ppm	parts per million
pretriggering	The technique used on a DAQ board to keep a continuous buffer filled with data, so that when the trigger conditions are met, the sample includes the data leading up to the trigger condition.

## Q

quantization error	The inherent uncertainty in digitizing an analog value due to the finite resolution of the conversion process.
--------------------	--

## R

RAM	random access memory
referenced signal sources	Signal sources with voltage signals that are referenced to a system ground, such as the earth or a building ground. Also called grounded signal sources.
relative accuracy	A measure in LSB of the accuracy of an ADC. It includes all non-linearity and quantization errors. It does not include offset and gain errors of the circuitry feeding the ADC.
RESMAN	The name of the National Instruments Resource Manager in NI-VXI bus interface software. See <i>Resource Manager</i> .
resolution	The smallest signal increment that can be detected by a measurement system. Resolution can be expressed in bits, in proportions, or in percent of full scale. For example, a system has 12-bit resolution, one part in 4,096 resolution, and 0.0244 percent of full scale.
Resource Manager	A message-based Commander, located at logical address 0, which provides configuration management services such as address map configuration, Commander and Servant mappings, and self-test and diagnostics management
responses	Signals or interrupts generated by a device to notify another device of an asynchronous event. Responses contain the information in the Response register of a sender.



rms	root mean square
RSE	referenced single-ended mode—All measurements are made with respect to a common reference measurement system or a ground. Also called a grounded measurement system.
RTD	resistive temperature detector—A metallic probe that measures temperature based upon its coefficient of resistivity.
RTSI Bus	Real-Time System Integration Bus—The National Instruments timing bus that connects DAQ boards directly for precise synchronization of functions. For the VXI-MIO Series modules, the RTSI bus trigger lines are implemented using VXIbus trigger lines.
<b>S</b>	
s	seconds
S	sample
scan	One or more analog or digital input samples. Typically, the number of input samples in a scan is equal to the number of channels in the input group. For example, one pulse from the scan clock produces one scan which acquires one new sample from every analog input channel in the group.
scan clock	The clock controlling the time interval between scans. On boards with interval scanning support, this clock gates the channel clock on and off. On boards with simultaneous sampling, this clock clocks the track-and-hold circuitry.
SCANCLK	scan clock signal
scan rate	The number of scans per second.
scan width	The number of channels in the channel list or number of ports in the port list you use to configure an analog or digital input group.
SCXI	Signal Conditioning eXtensions for Instrumentation—The National Instruments product line for conditioning low-level signals within an external chassis near sensors so only high-level signals are sent to DAQ boards in the noisy PC environment.
SE	single-ended inputs—A term used to describe an analog input that is measured with respect to a common ground.
settling time	The amount of time required for a voltage to reach its final value within specified limits.

signal	Any communication between message-based devices consisting of a write to a Signal register.
SIMM	Single In-line Memory Module
SISOURCE	SI counter clock signal
slot	A position where a module can be inserted into a VXIbus backplane. Each slot provides the 96-pin J connectors to interface with the board P connectors. A slot can have one, two, or three connectors.
S/s	Samples per Second—Used to express the rate at which a DAQ board samples an analog signal.
STARTSCAN	start scan signal
statically configured device	A device whose logical address cannot be set through software; that is, it is not dynamically configurable.
system	A system consists of one or more mainframes that are connected, all sharing a common Resource Manager. Each device in a system has a unique logical address.
system RAM	RAM installed on a personal computer and used by the operating system, as contrasted with onboard RAM.

## T

TC	terminal count—The highest value of a counter.
THD	total harmonic distortion—The ratio of the total rms signal due to harmonic distortion to the overall rms signal, in dB or percent.
transfer rate	The rate, measured in bytes/s, at which data is moved from source to destination after software initialization and set up operations; the maximum rate at which the hardware can operate.
TRIG	trigger signal
trigger	Any event that causes or starts some form of data capture.
TTL	transistor-transistor logic

**U**

UI	update interval
UISOURCE	update interval counter clock signal
unipolar	Unipolar input means that the input voltage range is between 0 and $V_{\text{ref}}$ , where $V_{\text{ref}}$ is a positive reference voltage.
update	The output equivalent of a scan. One or more analog or digital output samples. Typically, the number of output samples in an update is equal to the number of channels in the output group. For example, one pulse from the update clock produces one update which sends one new sample to every analog output channel in the group.
UPDATE	update signal
update rate	The number of output updates per second.

**V**

V	volts
VDC	volts direct current
VI	Virtual Instrument—(1) A combination of hardware and/or software elements, typically used with a PC, that has the functionality of a classic stand-alone instrument. (2) A LabVIEW software module (VI), which consists of a front panel user interface and a block diagram program.
VISA	A new driver software architecture developed by National Instruments to unify instrumentation software (GPIB, DAQ, and VXI). It has been accepted as a standard for VXI by the <i>VXIplug&amp;play</i> Systems Alliance.
$V_{\text{IH}}$	volts, input high
$V_{\text{IL}}$	volts, input low
$V_{\text{in}}$	volts in
$V_{\text{OH}}$	volts, output high
$V_{\text{OL}}$	volts, output low
$V_{\text{ref}}$	reference voltage

VXIbus	VMEbus eXtensions for Instrumentation
VXIbus trigger lines	These are the eight TTL and two ECL lines on the VXIbus backplane which are used for intermodule communication. Typical applications are triggering and clocking measurements.
VXI <i>plug&amp;play</i> Systems Alliance	A group of VXI developers dedicated to making VXI devices as easy to use as possible, primarily by simplifying software development.

## W

waveform	Multiple voltage readings taken at a specific sampling rate
WFTRIG	waveform generation trigger signal
wire	Data path between nodes.
word serial	The simplest required communication protocol used by message-based devices in the VXIbus system. It uses the A16 communication registers to transfer data with a simple polling handshake method.

## Numbers

### +5 V signal

- description, 4-3
- power connections, 4-23
- VXI-MIO-64E-1 (table), 4-6
- VXI-MIO-64XE-10 (table), 4-8

## A

### ACH<0..15> signal (table), 4-3

### ACH<0..63> signal

- analog input connections, 4-9
- VXI-MIO-64XE-10 (table), 4-8

### ACH<16..63> signal (table), 4-3

address, logical. *See* VXIbus logical address.

### AIGATE signal, 4-33 to 4-34

### AIGND signal

- analog input connections, 4-9, 4-10
- description (table), 4-3
- differential connections for floating signal sources, 4-16 to 4-17
- VXI-MIO-64E-1 (table), 4-6
- VXI-MIO-64XE-10 (table), 4-8

### AISENSE signal

- analog input connections, 4-9, 4-10
- description (table), 4-3
- VXI-MIO-64E-1 (table), 4-6
- VXI-MIO-64XE-10 (table), 4-8

### AISENSE2 signal

- analog input connections, 4-9, 4-10
- description (table), 4-3
- VXI-MIO-64E-1 (table), 4-6
- VXI-MIO-64XE-10 (table), 4-8

### amplifier characteristics

- VXI-MIO-64E-1, A-3
- VXI-MIO-64XE-10, A-11

### analog input, 3-3 to 3-9

- common questions about, C-2 to C-4
- considerations for selecting input ranges, 3-6
- dither, 3-7 to 3-8
- input modes, 3-3 to 3-4
- input polarity and range, 3-4 to 3-6
  - VXI-MIO-64E-1, 3-4 to 3-5
  - VXI-MIO-64XE-10, 3-5 to 3-6
- multichannel scanning considerations, 3-8 to 3-9
- signal connections, 4-9 to 4-20

### analog input specifications

#### VXI-MIO-64E-1

- amplifier characteristics, A-3
- dynamic characteristics, A-4
- input characteristics, A-1 to A-2
- stability, A-4
- transfer characteristics, A-3

#### VXI-MIO-64XE-10

- amplifier characteristics, A-11
- dynamic characteristics, A-12
- input characteristics, A-10
- stability, A-12
- transfer characteristics, A-11

### analog output, 3-10 to 3-11

- common questions about, C-2 to C-4
- output polarity selection, 3-10 to 3-11
- reference selection, 3-10
- reglitch selection, 3-11
- signal connections, 4-20 to 4-21

### analog output specifications

#### VXI-MIO-64E-1

- dynamic characteristics, A-6
- output characteristics, A-5
- stability, A-6 to A-7

- transfer characteristics, A-5 to A-6
- voltage output, A-6
- VXI-MIO-64XE-10
  - dynamic characteristics, A-13
  - output characteristics, A-13
  - stability, A-14
  - transfer characteristics, A-13
  - voltage output, A-13
- analog trigger, 3-11 to 3-14
  - above-high-level analog triggering mode (figure), 3-13
  - below-low-level analog triggering mode (figure), 3-12
  - block diagram, 3-12
  - high-hysteresis analog triggering mode (figure), 3-13
  - inside-region analog triggering mode (figure), 3-13
  - low-hysteresis analog triggering mode (figure), 3-14
  - specifications
    - VXI-MIO-64E-1, A-8
    - VXI-MIO-64XE-10, A-15 to A-16
- AOGND signal
  - analog output connections, 4-20 to 4-21
  - description (table), 4-3
  - VXI-MIO-64E-1 (table), 4-6
  - VXI-MIO-64XE-10 (table), 4-8

## B

- bipolar input, mixing with unipolar channels (note), 3-5
- bipolar output, 3-10 to 3-11
- block diagrams
  - VXI-MIO series, 3-2
  - VXI-MIO-64E-1 parts locator diagram, 2-3
  - VXI-MIO-64XE-10 parts locator diagram, 2-4
- board configuration. *See* configuration.
- bulletin board support, D-1

## C

- cables. *See also* I/O connectors.
  - field wiring considerations, 4-45
  - optional cable connectors
    - 68-pin extended analog input connector pin assignments (figure), B-3
    - 68-pin MIO connector pin assignments (figure), B-2
  - optional equipment, 1-6
- calibration, 5-1 to 5-3
  - adjusting for gain error, 5-3
  - external calibration, 5-2 to 5-3
  - loading calibration constants, 5-1 to 5-2
  - self-calibration, 5-2
- charge injection, 3-9
- commonly asked questions. *See* questions about VXI-MIO series.
- common-mode signal rejection, 4-20
- ComponentWorks software, 1-2
- configuration. *See also* input configurations.
  - block diagrams
    - VXI-MIO-64E-1 parts locator diagram, 2-3
    - VXI-MIO-64XE-10 parts locator diagram, 2-4
  - common questions about, C-2
  - loading USER/FACTORY configuration, 2-7 to 2-8
    - protecting/changing FACTORY configuration, 2-8
  - SIMM size, 2-5 to 2-6
    - accessing SIMM sockets, 2-6
    - DRAM configuration (table), 2-6 to 2-7
  - VXIbus logical address, 2-1 to 2-2
- connectors. *See* I/O connectors.
- CONVERT\* signal
  - signal routing, 3-15
  - timing connections, 4-32 to 4-33
    - input timing (figure), 4-32
    - output timing (figure), 4-33
- customer communication, *xiv*, D-1 to D-2

**D**

## DAC00OUT signal

- analog output connections, 4-20 to 4-21
- description (table), 4-3
- VXI-MIO-64E-1 (table), 4-6
- VXI-MIO-64XE-10 (table), 4-8

## DAC10OUT signal

- analog output connections, 4-20 to 4-21
- description (table), 4-3
- VXI-MIO-64E-1 (table), 4-6
- VXI-MIO-64XE-10 (table), 4-8

## DAQ-STC, C-1

data acquisition timing connections,  
4-25 to 4-34

- AIGATE signal, 4-33 to 4-34
- CONVERT\* signal, 4-32 to 4-33
- EXTSTROBE\* signal, 4-26 to 4-27
- posttriggered acquisition (figure), 4-25
- pretriggered acquisition (figure), 4-26
- SCANCLK signal, 4-26
- SISOURCE signal, 4-34
- STARTSCAN signal, 4-30 to 4-31
- TRIG1 signal, 4-27 to 4-28
- TRIG2 signal, 4-28 to 4-29

## DGND signal

- description (table), 4-3
- digital I/O connections, 4-22
- power connections, 4-23
- VXI-MIO-64E-1 (table), 4-6
- VXI-MIO-64XE-10 (table), 4-8

## DIFF (differential) input mode

- definition (table), 3-3
- description, 4-14
- ground-referenced signal sources, 4-15
  - illustration, 4-15
- nonreferenced or floating signal sources,  
4-16 to 4-17
  - illustration, 4-16
- recommended configuration  
(figure), 4-13
- single-ended connections, 4-18
  - floating signal sources (RSE), 4-19

grounded signal sources (NRSE),  
4-19 to 4-20

when to use, 4-14

## digital I/O

- common questions about, C-4 to C-6
- operation, 3-14
- signal connections, 4-22 to 4-23
- specifications
  - VXI-MIO-64E-1, A-7
  - VXI-MIO-64XE-10, A-14

## digital trigger specifications

- VXI-MIO-64E-1, A-8
- VXI-MIO-64XE-10, A-16

## DIO&lt;0..7&gt; signal

- description (table), 4-3
- digital I/O connections, 4-22 to 4-23
- VXI-MIO-64E-1 (table), 4-6
- VXI-MIO-64XE-10 (table), 4-8

## dither

- enabling, 3-7 to 3-8
- signal acquisition effects (figure), 3-8

## documentation

- conventions used in manual, *xii*
- National Instruments documentation, *xiii*
- organization of manual, *xi-xii*
- related documentation, *xiv*

## DRAM configuration (table), 2-6 to 2-7

## dynamic characteristics

- analog input
  - VXI-MIO-64E-1, A-4
  - VXI-MIO-64XE-10, A-12
- analog output
  - VXI-MIO-64E-1, A-6
  - VXI-MIO-64XE-10, A-13

**E**

## EEPROM

- loading USER/FACTORY configuration,  
2-7 to 2-8
  - protecting/changing factory  
configuration, 2-8
- storage of calibration constants, 5-1

e-mail support, D-2

environment specifications  
 VXI-MIO-64E-1, A-9  
 VXI-MIO-64XE-10, A-16

environmental noise, avoiding, 4-45

equipment, optional, 1-5

EXTREF signal  
 analog output connections, 4-20 to 4-21  
 analog output reference selection, 3-10  
 description (table), 4-3  
 VXI-MIO-64E-1 (table), 4-6

EXTSTROBE\* signal  
 description (table), 4-4  
 timing connections, 4-26 to 4-27  
 illustration, 4-27  
 VXI-MIO-64E-1 (table), 4-6  
 VXI-MIO-64XE-10 (table), 4-8

**F**

factory configuration. *See* USER/FACTORY configuration.

fax support, D-2

FaxBack support, D-2

field wiring considerations, 4-45

floating signal sources  
 description, 4-11  
 differential connections, 4-16 to 4-17  
 recommended configuration (figure), 4-13  
 single-ended connections (RSE configuration), 4-19

FREQ\_OUT signal  
 description (table), 4-5  
 VXI-MIO-64E-1 (table), 4-7  
 VXI-MIO-64XE-10 (table), 4-9  
 waveform generation timing connections, 4-44

frequently asked questions. *See* questions about VXI-MIO series.

FTP support, D-1

**G**

general-purpose timing signal connections, 4-38 to 4-44  
 FREQ\_OUT signal, 4-44  
 GPCTR0\_GATE signal, 4-39 to 4-40  
 GPCTR0\_OUT signal, 4-40  
 GPCTR0\_SOURCE signal, 4-38 to 4-39  
 GPCTR0\_UP\_DOWN signal, 4-40  
 GPCTR1\_GATE signal, 4-41 to 4-42  
 GPCTR1\_OUT signal, 4-42 to 4-43  
 GPCTR1\_SOURCE signal, 4-41  
 GPCTR1\_UP\_DOWN signal, 4-43 to 4-44

GPCTR0\_GATE signal, 4-39 to 4-40

GPCTR0\_OUT signal  
 description (table), 4-5  
 VXI-MIO-64E-1 (table), 4-7  
 VXI-MIO-64XE-10 (table), 4-9  
 waveform generation timing connections, 4-40

GPCTR0\_SOURCE signal, 4-38 to 4-39

GPCTR0\_UP\_DOWN signal, 4-40

GPCTR1\_GATE signal, 4-41 to 4-42

GPCTR1\_OUT signal  
 description (table), 4-4  
 VXI-MIO-64E-1 (table), 4-7  
 VXI-MIO-64XE-10 (table), 4-8  
 waveform generation timing connections, 4-42 to 4-43

GPCTR1\_SOURCE signal, 4-41

GPCTR1\_UP\_DOWN signal, 4-43 to 4-44

ground-referenced signal sources  
 description, 4-11  
 differential connections, 4-15  
 recommended configuration (figure), 4-13  
 single-ended connections (NRSE configuration), 4-19 to 4-20



**H**

hardware installation, 2-8 to 2-9

hardware overview

analog input, 3-3 to 3-9

considerations for selecting input ranges, 3-6

dither, 3-7 to 3-8

input modes, 3-3 to 3-4

input polarity and range, 3-4 to 3-6

multichannel scanning

considerations, 3-8 to 3-9

analog output, 3-10 to 3-11

output polarity selection, 3-10 to 3-11

reference selection, 3-10

reglitch selection, 3-11

analog trigger, 3-11 to 3-14

above-high-level analog triggering mode (figure), 3-13

below-low-level analog triggering mode (figure), 3-12

block diagram, 3-12

high-hysteresis analog triggering mode (figure), 3-13

inside-region analog triggering mode (figure), 3-13

low-hysteresis analog triggering mode (figure), 3-14

digital I/O, 3-14

timing signal routing, 3-15 to 3-16

CONVERT\* signal routing (figure), 3-15

programmable function inputs, 3-16

VXIbus triggers, 3-17

**I**

input characteristics

VXI-MIO-64E-1, A-1 to A-2

VXI-MIO-64XE-10, A-10

input configurations, 4-12 to 4-20

available input modes, 3-3 to 3-4

DIFF (table), 3-3

NRSE (table), 3-3

RSE (table), 3-3

common-mode signal rejection, 4-20

differential connections

DIFF input configuration, 4-14

floating signal sources, 4-16 to 4-17

ground-referenced signal sources, 4-15

nonreferenced signal sources, 4-16 to 4-17

recommended configuration (figure), 4-13

single-ended connections, 4-18 to 4-20

floating signal sources (RSE configuration), 4-19

grounded signal sources (NRSE configuration), 4-19 to 4-20

input polarity and range, 3-4 to 3-6

mixing bipolar and unipolar channels (note), 3-5

selection considerations, 3-6

VXI-MIO-64E-1, 3-4 to 3-5

actual range and measurement precision (table), 3-4 to 3-5

VXI-MIO-64XE-10, 3-5 to 3-6

actual range and measurement precision (table), 3-6

installation. *See also* configuration.

common questions about, C-2

hardware installation, 2-8 to 2-9

software installation, 2-9 to 2-10

unpacking VXI-MIO series boards, 1-6

I/O connectors, 4-1 to 4-9

exceeding maximum ratings (warning), 4-1

optional cable connectors

68-pin extended analog input connector pin assignments (figure), B-3

68-pin MIO connector pin assignments (figure), B-2

pin assignments (figure), 4-2

signal descriptions (table), 4-3 to 4-5

**L**

LabVIEW and LabWindows/CVI software, 1-3

**M**

manual. *See* documentation.  
 memory. *See* SIMM size configuration.  
 multichannel scanning, 3-8 to 3-9

**N**

NI-DAQ driver software, 1-3 to 1-4  
 noise, avoiding, 4-45  
 NRSE (nonreferenced single-ended input)  
   description (table), 3-3  
   differential connections, 4-16 to 4-17  
   recommended configuration (figure), 4-13  
   single-ended connections (NRSE configuration), 4-19 to 4-20

**O**

onboard EEPROM. *See* EEPROM.  
 operation of VXI-MIO series boards. *See* hardware overview.  
 output characteristics  
   VXI-MIO-64E-1, A-5  
   VXI-MIO-64XE-10, A-13

**P**

parts locator diagrams, 2-3, 2-4  
 PFI0/TRIG1 signal  
   description (table), 4-4  
   VXI-MIO-64E-1 (table), 4-6  
   VXI-MIO-64XE-10 (table), 4-8  
 PFI1/TRIG2 signal  
   description (table), 4-4  
   VXI-MIO-64E-1 (table), 4-6  
   VXI-MIO-64XE-10 (table), 4-8  
 PFI2/CONVERT\* signal  
   description (table), 4-4  
   VXI-MIO-64E-1 (table), 4-6  
   VXI-MIO-64XE-10 (table), 4-8  
 PFI3/GPCTR1\_SOURCE signal  
   description (table), 4-4  
   VXI-MIO-64E-1 (table), 4-6  
   VXI-MIO-64XE-10 (table), 4-8  
 PFI4/GPCTR1\_GATE signal  
   description (table), 4-4  
   VXI-MIO-64E-1 (table), 4-6  
   VXI-MIO-64XE-10 (table), 4-9  
 PFI5/UPDATE\* signal  
   description (table), 4-5  
   VXI-MIO-64E-1 (table), 4-7  
   VXI-MIO-64XE-10 (table), 4-9  
 PFI6/WFTRIG signal  
   description (table), 4-5  
   VXI-MIO-64E-1 (table), 4-7  
   VXI-MIO-64XE-10 (table), 4-9  
 PFI7/STARTSCAN signal  
   description (table), 4-5  
   VXI-MIO-64E-1 (table), 4-7  
   VXI-MIO-64XE-10 (table), 4-9  
 PFI8/GPCTR0\_SOURCE signal  
   description (table), 4-5  
   VXI-MIO-64E-1 (table), 4-7  
   VXI-MIO-64XE-10 (table), 4-9  
 PFI9/GPCTR0\_GATE signal  
   description (table), 4-5  
   VXI-MIO-64E-1 (table), 4-7  
   VXI-MIO-64XE-10 (table), 4-9  
 PFIs (programmable function inputs), 4-24 to 4-25  
   common questions about, C-5 to C-6  
   overview, 4-23  
   signal routing, 3-16  
   timing input connections, 4-24 to 4-25  
     illustration, 4-24  
 PGIA (programmable gain instrumentation amplifier)  
   analog input connections, 4-10 to 4-11  
   illustration, 4-10

- common-mode signal rejection, 4-20
- differential connections
  - floating signal sources, 4-16 to 4-17
  - ground-referenced signal sources, 4-15
- single-ended connections
  - floating signal sources (figure), 4-19
  - grounded signal sources (figure), 4-20
- physical specifications
  - VXI-MIO-64E-1, A-9
  - VXI-MIO-64XE-10, A-16
- pin assignments. *See* I/O connectors.
- polarity
  - input polarity and range, 3-4 to 3-6
  - output polarity selection, 3-10 to 3-11
- posttriggered data acquisition, 4-25
  - illustration, 4-25
- power connections, 4-23
- power requirement specifications
  - VXI-MIO-64E-1, A-9
  - VXI-MIO-64XE-10, A-16
- pretriggered data acquisition, 4-25
  - illustration, 4-26
- programmable function inputs (PFIs). *See* PFIs (programmable function inputs).
- programmable gain instrumentation amplifier. *See* PGIA (programmable gain instrumentation amplifier).

## Q

- questions about VXI-MIO series, C-1 to C-6
  - analog input and analog output, C-2 to C-4
  - general information, C-1 to C-2
  - installation and configuration, C-2
  - timing and digital I/O, C-4 to C-6

## R

- reference selection, analog output, 3-10
- referenced single-ended input (RSE). *See* RSE (referenced single-ended input).

- reglitch selection, 3-11
- RSE (referenced single-ended input)
  - description (table), 3-3
  - recommended configuration (figure), 4-13
  - single-ended connections for floating signal sources, 4-19

## S

- SCANCLK signal
  - description (table), 4-4
  - timing connections, 4-26
  - VXI-MIO-64E-1 (table), 4-6
  - VXI-MIO-64XE-10 (table), 4-8
- settling time, 3-9
- signal connections
  - analog input, 4-9 to 4-20
  - analog output, 4-20 to 4-21
  - digital I/O, 4-22 to 4-23
  - field wiring considerations, 4-45
  - input configurations, 4-12 to 4-20
    - common-mode signal rejection, 4-20
    - differential connections
      - DIFF input configuration, 4-14
      - floating signal sources, 4-16 to 4-17
      - ground-referenced signal sources, 4-15
      - nonreferenced signal sources, 4-16 to 4-17
  - recommended configuration (figure), 4-13
  - single-ended connections, 4-18 to 4-20
    - floating signal sources (RSE configuration), 4-19
    - grounded signal sources (NRSE configuration), 4-19 to 4-20
  - I/O connector, 4-1 to 4-9
    - exceeding maximum ratings (warning), 4-1
    - pin assignments (figure), 4-2
    - signal descriptions (table),

- 4-3 to 4-5
- power connections, 4-23
- timing connections, 4-23 to 4-44
  - data acquisition timing
    - connections, 4-25 to 4-34
      - AIGATE signal, 4-33 to 4-34
      - CONVERT\* signal, 4-32 to 4-33
      - EXTSTROBE\* signal, 4-26 to 4-27
      - SCANCLK signal, 4-26
      - SISOURCE signal, 4-34
      - STARTSCAN signal, 4-30 to 4-31
      - TRIG1 signal, 4-27 to 4-28
      - TRIG2 signal, 4-28 to 4-29
      - typical posttriggered acquisition (figure), 4-25
      - typical pretriggered acquisition (figure), 4-26
    - general-purpose timing signal
      - connections, 4-38 to 4-44
        - FREQ\_OUT signal, 4-44
        - GPCTR0\_GATE signal, 4-39 to 4-40
        - GPCTR0\_OUT signal, 4-40
        - GPCTR0\_SOURCE signal, 4-38 to 4-39
        - GPCTR0\_UP\_DOWN signal, 4-40
        - GPCTR1\_GATE signal, 4-41 to 4-42
        - GPCTR1\_OUT signal, 4-42 to 4-43
        - GPCTR1\_SOURCE signal, 4-41
        - GPCTR1\_UP\_DOWN signal, 4-43 to 4-44
      - programmable function input
        - connections, 4-24 to 4-25
        - waveform generation timing
          - connections, 4-34 to 4-38
            - UISOURCE signal, 4-37 to 4-38
            - UPDATE\* signal, 4-36 to 4-37
            - WFTRIG signal, 4-34
          - types of signal sources, 4-11
            - floating, 4-11
            - ground-referenced, 4-11
- SIMM size configuration, 2-5 to 2-6
  - accessing SIMM sockets, 2-6
  - DRAM configuration (table), 2-6 to 2-7
- single-ended connections
  - description, 4-18
  - floating signal sources (RSE), 4-19
  - grounded signal sources (NRSE), 4-19 to 4-20
  - when to use, 4-18
- SISOURCE signal, 4-34
- software
  - installation, 2-9 to 2-10
  - programming choices
    - ComponentWorks, 1-2
    - LabVIEW and LabWindows/CVI, 1-3
    - NI-DAQ driver software, 1-3 to 1-4
    - VirtualBench, 1-3
- specifications
  - VXI-MIO-64E-1
    - analog input, A-1 to A-4
      - amplifier characteristics, A-3
      - dynamic characteristics, A-4
      - input characteristics, A-1 to A-2
      - stability, A-4
      - transfer characteristics, A-3
    - analog output, A-5 to A-7
      - dynamic characteristics, A-6
      - output characteristics, A-5
      - stability, A-6 to A-7
      - transfer characteristics, A-5 to A-6
      - voltage output, A-6

- digital I/O, A-7
- environment, A-9
- physical, A-9
- power requirements, A-9
- timing I/O, A-7 to A-8
- triggers, A-8
  - analog trigger, A-8
  - digital trigger, A-8
  - VXIbus, A-8
- VXI-MIO-64XE-10
  - analog input, A-10 to A-12
    - amplifier characteristics, A-11
    - dynamic characteristics, A-12
    - input characteristics, A-10
    - stability, A-12
    - transfer characteristics, A-11
  - analog output, A-13 to A-14
    - dynamic characteristics, A-13
    - output characteristics, A-13
    - stability, A-14
    - transfer characteristics, A-13
    - voltage output, A-13
  - digital I/O, A-14
  - environment, A-16
  - physical, A-16
  - power requirement, A-16
  - timing I/O, A-15
  - triggers
    - analog trigger, A-15 to A-16
    - digital trigger, A-16
    - VXIbus, A-16
- stability
  - analog input specifications
    - VXI-MIO-64E-1, A-4
    - VXI-MIO-64XE-10, A-12
  - analog output specifications
    - VXI-MIO-64E-1, A-6 to A-7
    - VXI-MIO-64XE-10, A-14
- STARTSCAN signal timing connections, 4-30 to 4-31
  - input timing (figure), 4-30
  - output timing (figure), 4-31

## T

- technical support, D-1 to D-2
- theory of operation. *See* hardware overview.
- timebase, 3-16
- timing connections, 4-23 to 4-44
  - common questions about, C-4 to C-6
  - data acquisition timing connections, 4-25 to 4-34
    - AIGATE signal, 4-33 to 4-34
    - CONVERT\* signal, 4-32 to 4-33
    - EXTSTROBE\* signal, 4-26 to 4-27
    - SCANCLK signal, 4-26
    - SISOURCE signal, 4-34
    - STARTSCAN signal, 4-30 to 4-31
    - TRIG1 signal, 4-27 to 4-28
    - TRIG2 signal, 4-28 to 4-29
  - typical posttriggered acquisition (figure), 4-25
  - typical pretriggered acquisition (figure), 4-26
- general-purpose timing signal connections, 4-38 to 4-44
  - FREQ\_OUT signal, 4-44
  - GPCTR0\_GATE signal, 4-39 to 4-40
  - GPCTR0\_OUT signal, 4-40
  - GPCTR0\_SOURCE signal, 4-38 to 4-39
  - GPCTR0\_UP\_DOWN signal, 4-40
  - GPCTR1\_GATE signal, 4-41 to 4-42
  - GPCTR1\_OUT signal, 4-42 to 4-43
  - GPCTR1\_SOURCE signal, 4-41
  - GPCTR1\_UP\_DOWN signal, 4-43 to 4-44
- programmable function input connections, 4-24 to 4-25
- timing I/O connections (figure), 4-24

- waveform generation timing
      - connections, 4-34 to 4-38
      - UISOURCE signal, 4-37 to 4-38
      - UPDATE\* signal, 4-36 to 4-37
      - WFTRIG signal, 4-34
  - timing I/O specifications
    - VXI-MIO-64E-1, A-7 to A-8
    - VXI-MIO-64XE-10, A-15
  - timing signal routing, 3-15 to 3-16
    - CONVERT\* signal routing (figure), 3-15
    - programmable function inputs, 3-16
    - timebase, 3-16
    - VXIbus triggers, 3-17
  - transfer characteristics
    - analog input
      - VXI-MIO-64E-1, A-3
      - VXI-MIO-64XE-10, A-11
    - analog output
      - VXI-MIO-64E-1, A-5 to A-6
      - VXI-MIO-64XE-10, A-13
  - TRIG1 signal timing connections, 4-27 to 4-28
    - input timing (figure), 4-28
    - output timing (figure), 4-28
  - TRIG2 signal timing connections, 4-28 to 4-29
    - input timing (figure), 4-29
    - output timing (figure), 4-29
  - triggers
    - analog, 3-11 to 3-14
      - above-high-level triggering mode (figure), 3-13
      - below-low-level triggering mode (figure), 3-12
      - block diagram, 3-12
      - high-hysteresis triggering mode, 3-13
      - inside-region triggering mode (figure), 3-13
      - low-hysteresis triggering mode, 3-14
    - specifications
      - VXI-MIO-64E-1
        - analog trigger, A-8
        - digital trigger, A-8
        - VXIbus, A-8
      - VXI-MIO-64XE-10
        - analog trigger, A-15 to A-16
        - digital trigger, A-16
        - VXIbus, A-16
      - VXIbus triggers, 3-17
  - troubleshooting. *See* questions about VXI-MIO series.
- ## U
- UISOURCE signal, 4-37 to 4-38
  - unipolar input, mixing with bipolar channels (note), 3-5
  - unipolar output, 3-10 to 3-11
  - unpacking VXI-MIO series boards, 1-6
  - UPDATE\* signal timing connections, 4-36 to 4-37
    - input timing (figure), 4-37
    - output timing (figure), 4-37
  - USER/FACTORY configuration
    - loading, 2-7 to 2-8
    - protecting/changing factory configuration, 2-8
- ## V
- VirtualBench software, 1-3
  - voltage output
    - VXI-MIO-64E-1, A-6
    - VXI-MIO-64XE-10, A-13
  - VXIbus logical address, 2-1 to 2-2
    - selecting (figure), 2-5
  - VXIbus triggers, 3-17
    - specifications
      - VXI-MIO-64E-1, A-8
      - VXI-MIO-64XE-10, A-16
    - trigger line utilization (figure), 3-17

VXI-MIO series. *See also* hardware overview.

- common questions about, C-1 to C-6
- custom cabling, 1-6
- features, 1-1
- optional equipment, 1-5
- requirements for getting started, 1-2
- software programming choices
  - ComponentWorks, 1-2
  - LabVIEW and LabWindows/CVI, 1-3
  - NI-DAQ driver software, 1-3 to 1-4
  - VirtualBench, 1-3
- unpacking, 1-6
- VXI*plug&play* instrument drivers, 1-4 to 1-5
- VXI*plug&play* instrument drivers, 1-4 to 1-5

## W

- waveform generation timing connections, 4-34 to 4-38
  - UISOURCE signal, 4-37 to 4-38
  - UPDATE\* signal, 4-36 to 4-37
  - WFTRIG signal, 4-34
- WFTRIG signal timing connections, 4-35
  - input timing (figure), 4-35
  - output timing (figure), 4-35
- wiring considerations, 4-45

## Free Manuals Download Website

<http://myh66.com>

<http://usermanuals.us>

<http://www.somanuals.com>

<http://www.4manuals.cc>

<http://www.manual-lib.com>

<http://www.404manual.com>

<http://www.luxmanual.com>

<http://aubethermostatmanual.com>

Golf course search by state

<http://golfingnear.com>

Email search by domain

<http://emailbydomain.com>

Auto manuals search

<http://auto.somanuals.com>

TV manuals search

<http://tv.somanuals.com>