

**DAQ**

# **NI-DAQ™ Function Reference Manual for PC Compatibles**

*Version 6.1*

*Data Acquisition Software for the PC*

April 1998 Edition  
Part Number 321645C-01

© Copyright 1991, 1998 National Instruments Corporation. All rights reserved.

**Internet Support**

E-mail: [support@natinst.com](mailto:support@natinst.com)  
FTP Site: <ftp.natinst.com>  
Web Address: [www.natinst.com](http://www.natinst.com)

**Bulletin Board Support**

BBS United States: 512 794 5422  
BBS United Kingdom: 01635 551422  
BBS France: 01 48 65 15 59

**Fax-on-Demand Support**

512 418 1111

**Telephone Support (USA)**

Tel: 512 795 8248  
Fax: 512 794 5678

**International Offices**

Australia 03 9879 5166, Austria 0662 45 79 90 0, Belgium 02 757 00 20, Brazil 011 288 3336,  
Canada (Ontario) 905 785 0085, Canada (Québec) 514 694 8521, Denmark 45 76 26 00,  
Finland 09 725 725 11, France 01 48 14 24 24, Germany 089 741 31 30, Hong Kong 2645 3186,  
Israel 03 6120092, Italy 02 413091, Japan 03 5472 2970, Korea 02 596 7456, Mexico 5 520 2635,  
Netherlands 0348 433466, Norway 32 84 84 00, Singapore 2265886, Spain 91 640 0085, Sweden 08 730 49 70,  
Switzerland 056 200 51 51, Taiwan 02 377 1200, United Kingdom 01635 523545

**National Instruments Corporate Headquarters**

6504 Bridge Point Parkway Austin, Texas 78730-5039 USA Tel: 512 794 0100

# Important Information

---

## Warranty

The media on which you receive National Instruments software are warranted not to fail to execute programming instructions, due to defects in materials and workmanship, for a period of 90 days from date of shipment, as evidenced by receipts or other documentation. National Instruments will, at its option, repair or replace software media that do not execute programming instructions if National Instruments receives notice of such defects during the warranty period. National Instruments does not warrant that the operation of the software shall be uninterrupted or error free.

A Return Material Authorization (RMA) number must be obtained from the factory and clearly marked on the outside of the package before any equipment will be accepted for warranty work. National Instruments will pay the shipping costs of returning to the owner parts which are covered by warranty.

National Instruments believes that the information in this manual is accurate. The document has been carefully reviewed for technical accuracy. In the event that technical or typographical errors exist, National Instruments reserves the right to make changes to subsequent editions of this document without prior notice to holders of this edition. The reader should consult National Instruments if errors are suspected. In no event shall National Instruments be liable for any damages arising out of or related to this document or the information contained in it.

EXCEPT AS SPECIFIED HEREIN, NATIONAL INSTRUMENTS MAKES NO WARRANTIES, EXPRESS OR IMPLIED, AND SPECIFICALLY DISCLAIMS ANY WARRANTY OF MERCHANTABILITY OR FITNESS FOR A PARTICULAR PURPOSE. CUSTOMER'S RIGHT TO RECOVER DAMAGES CAUSED BY FAULT OR NEGLIGENCE ON THE PART OF NATIONAL INSTRUMENTS SHALL BE LIMITED TO THE AMOUNT THEREFORE PAID BY THE CUSTOMER. NATIONAL INSTRUMENTS WILL NOT BE LIABLE FOR DAMAGES RESULTING FROM LOSS OF DATA, PROFITS, USE OF PRODUCTS, OR INCIDENTAL OR CONSEQUENTIAL DAMAGES, EVEN IF ADVISED OF THE POSSIBILITY THEREOF. This limitation of the liability of National Instruments will apply regardless of the form of action, whether in contract or tort, including negligence. Any action against National Instruments must be brought within one year after the cause of action accrues. National Instruments shall not be liable for any delay in performance due to causes beyond its reasonable control. The warranty provided herein does not cover damages, defects, malfunctions, or service failures caused by owner's failure to follow the National Instruments installation, operation, or maintenance instructions; owner's modification of the product; owner's abuse, misuse, or negligent acts; and power failure or surges, fire, flood, accident, actions of third parties, or other events outside reasonable control.

## Copyright

Under the copyright laws, this publication may not be reproduced or transmitted in any form, electronic or mechanical, including photocopying, recording, storing in an information retrieval system, or translating, in whole or in part, without the prior written consent of National Instruments Corporation.

## Trademarks

CVI™, DAQArb™, DAQCard™, DAQ Designer™, DAQPad™, DAQ-PnP™, DAQ-STC™, DAQWare™, LabVIEW™, NI-DAQ™, NI-DSP™, NI-PGIA™, RTSI™, and SCXI™ are trademarks of National Instruments Corporation.

Product and company names referenced in this document are trademarks or trade names of their respective companies.

## WARNING REGARDING MEDICAL AND CLINICAL USE OF NATIONAL INSTRUMENTS PRODUCTS

National Instruments products are not designed with components and testing intended to ensure a level of reliability suitable for use in treatment and diagnosis of humans. Applications of National Instruments products involving medical or clinical treatment can create a potential for accidental injury caused by product failure, or by errors on the part of the user or application designer. Any use or application of National Instruments products for or involving medical or clinical treatment must be performed by properly trained and qualified medical personnel, and all traditional medical safeguards, equipment, and procedures that are appropriate in the particular situation to prevent serious injury or death should always continue to be used when National Instruments products are being used. National Instruments products are NOT intended to be a substitute for any form of established process, procedure, or equipment used to monitor or safeguard human health and safety in medical or clinical treatment.

---

## About This Manual

How to Use the NI-DAQ Manual Set .....	xiii
Organization of This Manual .....	xiii
Conventions Used in This Manual .....	xiv
MIO and AI Device Terminology .....	xvii
About the National Instruments Documentation Set .....	xix
Related Documentation .....	xx
Customer Communication .....	xx

## Chapter 1

### Using the NI-DAQ Functions

Status Codes, Device Numbers, and SCXI Chassis IDs .....	1-1
Variable Data Types .....	1-2
Primary Types .....	1-2
Arrays .....	1-3
Multiple Types .....	1-3
Programming Language Considerations .....	1-4
Borland Delphi .....	1-4
Visual Basic for Windows .....	1-4
NI-DAQ Constants Include File .....	1-5
NI-DAQ for LabWindows/CVI .....	1-5

## Chapter 2

### Function Reference

AI_Change_Parameter .....	2-1
AI_Check .....	2-3
AI_Clear .....	2-5
AI_Configure .....	2-6
AI_Mux_Config .....	2-10
AI_Read .....	2-12
AI_Read_Scan .....	2-14
AI_Setup .....	2-15
AI_VRead .....	2-17
AI_VRead_Scan .....	2-19

AI_VScale .....	2-20
Align_DMA_Buffer .....	2-22
AO_Calibrate.....	2-25
AO_Change_Parameter.....	2-27
AO_Configure .....	2-38
AO_Update.....	2-42
AO_VScale.....	2-43
AO_VWrite .....	2-45
AO_Write .....	2-47
Calibrate_1200 .....	2-49
Calibrate_DSA .....	2-55
Calibrate_E_Series .....	2-58
Config_Alarm_Deadband.....	2-63
Config_ATrig_Event_Message.....	2-67
Config_DAQ_Event_Message.....	2-71
Configure_HW_Analog_Trigger .....	2-83
CTR_Config .....	2-90
CTR_EvCount .....	2-92
CTR_EvRead.....	2-94
CTR_FOUT_Config.....	2-96
CTR_Period.....	2-98
CTR_Pulse.....	2-100
CTR_Rate .....	2-104
CTR_Reset .....	2-106
CTR_Restart.....	2-107
CTR_Simul_Op.....	2-108
CTR_Square .....	2-110
CTR_State .....	2-113
CTR_Stop .....	2-114
DAQ_Check .....	2-115
DAQ_Clear.....	2-117
DAQ_Config .....	2-118
DAQ_DB_Config.....	2-121
DAQ_DB_HalfReady.....	2-122
DAQ_DB_Transfer .....	2-124
DAQ_Monitor .....	2-126
DAQ_Op.....	2-129
DAQ_Rate .....	2-132
DAQ_Set_Clock.....	2-134
DAQ_Start.....	2-136
DAQ_StopTrigger_Config.....	2-140
DAQ_to_Disk.....	2-142
DAQ_VScale.....	2-145

DIG_Block_Check.....	2-147
DIG_Block_Clear.....	2-148
DIG_Block_In.....	2-149
DIG_Block_Out.....	2-152
DIG_Block_PG_Config.....	2-154
DIG_DB_Config.....	2-158
DIG_DB_HalfReady.....	2-160
DIG_DB_Transfer.....	2-162
DIG_Grp_Config.....	2-164
DIG_Grp_Mode.....	2-166
DIG_Grp_Status.....	2-169
DIG_In_Grp.....	2-171
DIG_In_Line.....	2-173
DIG_In_Port.....	2-175
DIG_Line_Config.....	2-177
DIG_Out_Grp.....	2-178
DIG_Out_Line.....	2-179
DIG_Out_Port.....	2-181
DIG_Prt_Config.....	2-183
DIG_Prt_Status.....	2-186
DIG_SCAN_Setup.....	2-188
DIG_Trigger_Config.....	2-192
Get_DAQ_Device_Info.....	2-195
Get_NI_DAQ_Version.....	2-197
GPCTR_Change_Parameter.....	2-198
GPCTR_Config_Buffer.....	2-209
GPCTR_Control.....	2-211
GPCTR_Read_Buffer.....	2-213
GPCTR_Set_Application.....	2-215
GPCTR_Watch.....	2-245
ICTR_Read.....	2-248
ICTR_Reset.....	2-250
ICTR_Setup.....	2-251
Init_DA_Brds.....	2-255
Lab_ISCAN_Check.....	2-263
Lab_ISCAN_Op.....	2-266
Lab_ISCAN_Start.....	2-270
Lab_ISCAN_to_Disk.....	2-274
Line_Change_Attribute.....	2-277
LPM16_Calibrate.....	2-279
MIO_Calibrate.....	2-280
MIO_Config.....	2-284
RTSI_Clear.....	2-286

RTSI_Clock.....	2-287
RTSI_Conn.....	2-289
RTSI_DisConn.....	2-291
SC_2040_Config.....	2-292
SCAN_Demux.....	2-294
SCAN_Op.....	2-296
SCAN_Sequence_Demux.....	2-300
SCAN_Sequence_Retrieve.....	2-303
SCAN_Sequence_Setup.....	2-304
SCAN_Setup.....	2-307
SCAN_Start.....	2-309
SCAN_to_Disk.....	2-315
SCXI_AO_Write.....	2-319
SCXI_Cal_Constants.....	2-322
SCXI_Calibrate_Setup.....	2-330
SCXI_Change_Chan.....	2-332
SCXI_Configure_Filter.....	2-333
SCXI_Get_Chassis_Info.....	2-336
SCXI_Get_Module_Info.....	2-338
SCXI_Get_State.....	2-340
SCXI_Get_Status.....	2-342
SCXI_Load_Config.....	2-344
SCXI_ModuleID_Read.....	2-345
SCXI_MuxCtr_Setup.....	2-347
SCXI_Reset.....	2-349
SCXI_Scale.....	2-352
SCXI_SCAN_Setup.....	2-355
SCXI_Set_Config.....	2-357
SCXI_Set_Gain.....	2-360
SCXI_Set_Input_Mode.....	2-361
SCXI_Set_State.....	2-362
SCXI_Set_Threshold.....	2-364
SCXI_Single_Chan_Setup.....	2-366
SCXI_Track_Hold_Control.....	2-367
SCXI_Track_Hold_Setup.....	2-368
Select_Signal.....	2-372
Set_DAQ_Device_Info.....	2-389
Timeout_Config.....	2-400
WFM_Chan_Control.....	2-402
WFM_Check.....	2-404
WFM_ClockRate.....	2-406
WFM_DB_Config.....	2-411
WFM_DB_HalfReady.....	2-413

WFM_DB_Transfer.....	2-415
WFM_from_Disk.....	2-417
WFM_Group_Control .....	2-420
WFM_Group_Setup.....	2-423
WFM_Load.....	2-425
WFM_Op.....	2-434
WFM_Rate.....	2-437
WFM_Scale .....	2-439
WFM_Set_Clock .....	2-441

## Appendix A Status Codes

## Appendix B Analog Input Channel, Gain Settings, and Voltage Calculation

DAQ Device Analog Input Channel Settings.....	B-1
Valid Internal Analog Input Channels .....	B-2
DAQ Device Gain Settings.....	B-5
Voltage Calculation .....	B-5
Offset and Gain Adjustment .....	B-7
Measurement of Offset.....	B-7
Measurement of Gain Adjustment.....	B-7

## Appendix C NI-DAQ Function Support

## Appendix D Customer Communication

## Glossary

## Index

## Figures

Figure 2-1. High Alarm Deadband.....	2-65
Figure 2-2. Low Alarm Deadband .....	2-66
Figure 2-3. Analog Trigger Event.....	2-70
Figure 2-4. ND_BELOW_LOW_LEVEL .....	2-85
Figure 2-5. ND_ABOVE_HIGH_LEVEL.....	2-85



Figure 2-6.	ND_INSIDE_REGION.....	2-85
Figure 2-7.	ND_HIGH_HYSTERESIS .....	2-86
Figure 2-8.	ND_LOW_HYSTERESIS .....	2-86
Figure 2-9.	Pulse Generation Timing .....	2-102
Figure 2-10.	Pulse Timing for pulseWidth = 0.....	2-103
Figure 2-11.	Square Wave Timing .....	2-112
Figure 2-12.	Digital Scanning Input Group Handshaking Connections.....	2-190
Figure 2-13.	Digital Scanning Output Group Handshaking Connections .....	2-191
Figure 2-14.	Simple Event Counting .....	2-217
Figure 2-15.	Single Period Measurement .....	2-219
Figure 2-16.	Single Pulse Width Measurement.....	2-221
Figure 2-17.	Single Triggered Pulse Width Generation Measurement .....	2-224
Figure 2-18.	Start-Stop Measurement.....	2-226
Figure 2-19.	Single Pulse Generation .....	2-228
Figure 2-20.	Single Triggered Pulse Generation .....	2-230
Figure 2-21.	Retriggerable Pulse Generation .....	2-232
Figure 2-22.	Pulse Train Generation .....	2-233
Figure 2-23.	Frequency Shift Keying .....	2-235
Figure 2-24.	Buffered Event Counting .....	2-236
Figure 2-25.	Buffered Period Measurement .....	2-238
Figure 2-26.	Buffered Period Measurement when No Source Edges Are Present between Gate Edges .....	2-239
Figure 2-27.	Buffered Semi-Period Measurement when No Source Edges Are Present between Gate Edges .....	2-239
Figure 2-28.	Buffered Semi-Period Measurement when No Source Edges Are Present between Gate Edges .....	2-240
Figure 2-29.	Buffered Pulse Width Measurement .....	2-241
Figure 2-30.	Buffered Pulse Width when Gate Is High during Arming.....	2-241
Figure 2-31.	Buffered Two-Signal Edge Separation Measurement .....	2-243
Figure 2-32.	Mode 0 Timing Diagram .....	2-252
Figure 2-33.	Mode 1 Timing Diagram .....	2-252
Figure 2-34.	Mode 2 Timing Diagram .....	2-252
Figure 2-35.	Mode 3 Timing Diagram .....	2-253
Figure 2-36.	Mode 4 Timing Diagram .....	2-253
Figure 2-37.	Mode 5 Timing Diagram .....	2-253

## Tables

Table 1.	MIO and AI Devices .....	xvii
Table 1-1.	Status Values.....	1-1
Table 1-2.	Primary Type Names .....	1-2
Table 1-3.	The LabWindows/CVI Function Tree for Data Acquisition .....	1-6

Table 2-1.	Parameter Settings for AI_Configure.....	2-7
Table 2-2.	Port 0 Digital I/O Lines Reserved .....	2-11
Table 2-3.	Reglitching Parameters for Permissible Devices .....	2-28
Table 2-4.	Voltage or Current Output Parameters .....	2-29
Table 2-5.	Parameter Values for FIFO Transfer Conditions .....	2-29
Table 2-6.	Default Values for FIFO Transfer Condition .....	2-30
Table 2-7.	Parameter Setting Information for the Analog Filter .....	2-31
Table 2-8.	Parameter Setting Information for the Digital Filter .....	2-31
Table 2-9.	Parameter Setting Information for Output Enable .....	2-32
Table 2-10.	Parameter Setting Information for Output Impedance .....	2-32
Table 2-11.	Parameter Setting Information for Output Attenuation.....	2-33
Table 2-12.	Parameter Setting Information for Frequency Correction for the Analog Filter.....	2-34
Table 2-13.	Parameter Setting Information for the Trigger Mode .....	2-35
Table 2-14.	Parameter Setting Information for PLL Reference Frequency .....	2-35
Table 2-15.	Parameter Setting Information for the SYNC Duty Cycle.....	2-36
Table 2-16.	Possible Calibrate_1200 Parameter Values.....	2-51
Table 2-17.	DAQEvent Messages .....	2-74
Table 2-18.	Valid Counters and External Timing Signals for DAQEvent = 9 .....	2-78
Table 2-19.	Usable Parameters for Different DAQ Events Codes .....	2-79
Table 2-20.	Legal Values for gpctrNum Parameter.....	2-199
Table 2-21.	Legal Values for paramValue when paramID = ND_SOURCE.....	2-199
Table 2-22.	Definition of Other Counter for paramValue Set to ND_OTHER_GPCTR_TC .....	2-200
Table 2-23.	Default Source Selection for ND_SIMPLE_EVENT_CNT or ND_BUFFERED_EVENT_CNT.....	2-200
Table 2-24.	Legal Values for paramValue when paramID = ND_GATE .....	2-203
Table 2-25.	Default Gate Selection.....	2-204
Table 2-26.	Default Second Gate Selection.....	2-205
Table 2-27.	Legal Values for paramValue when paramID = ND_INITIAL_COUNT .....	2-206
Table 2-28.	Legal Values for paramValue when paramID = ND_COUNT_1, ND_COUNT_2, ND_COUNT_3, and ND_COUNT_4 .....	2-206
Table 2-29.	Default Up/Down Selection .....	2-207
Table 2-30.	Legal Values for the action Parameter .....	2-211
Table 2-31.	Descriptions for application .....	2-216
Table 2-32.	Terminal Count.....	2-218
Table 2-33.	SCXI Module Scan List .....	2-348
Table 2-34.	MIO or AI Scan List.....	2-348
Table 2-35.	Possible Values for signal .....	2-374
Table 2-36.	Legal Parameters for the 6602 Devices.....	2-385
Table 2-37.	E Series Signal Name Equivalencies.....	2-387
Table 2-38.	RTSI Bus Line and VXIbus Trigger Mapping .....	2-387

Table 2-39.	Data Ranges for the Buffer Parameter for DAQArb 5411 Devices.....	2-426
Table 2-40.	Mode Values for the Count Parameter for DAQArb 5411 Devices .....	2-427
Table 2-41.	Mode Values for the Iterations Parameter for DAQArb 5411 Devices.....	2-428
Table 2-42.	Array Structures for DDS Mode .....	2-430
Table 2-43.	Array Structures for ARB Mode.....	2-431
Table A-1.	Status Code Summary.....	A-1
Table B-1.	Valid Analog Input Channel Settings .....	B-1
Table B-2.	Valid Internal Analog Input Channels .....	B-2
Table B-3.	Internal Channel Purposes for Analog Input Devices.....	B-4
Table B-4.	Valid Gain Settings.....	B-5
Table B-5.	The Values of maxReading and maxVolt.....	B-6
Table C-1.	MIO and AI Device Functions.....	C-1
Table C-2.	Lab/516/DAQCard-500/700 Functions .....	C-6
Table C-3.	DSA Device Functions .....	C-9
Table C-4.	Analog Output Family Functions.....	C-11
Table C-5.	Digital I/O Family Functions .....	C-12
Table C-6.	Timing Device Functions.....	C-14
Table C-7.	SCXI Functions.....	C-16

---

The *NI-DAQ Function Reference Manual for PC Compatibles* is for users of the NI-DAQ software for PC compatibles version 6.1. NI-DAQ software is a powerful application programming interface (API) between your data acquisition (DAQ) application and the National Instruments DAQ boards for ISA, PCI, PXI, XT, PC Card (PCMCIA), VXIbus, EISA, and USB bus computers.

## How to Use the NI-DAQ Manual Set

---

You should begin by reading the *NI-DAQ User Manual for PC Compatibles*. Chapter 1, *Introduction to NI-DAQ*, contains a flowchart that illustrates the sequence of steps you should take to learn about and get started with NI-DAQ software.

When you are familiar with the material in the *NI-DAQ User Manual for PC Compatibles*, you can use the *NI-DAQ Function Reference Manual for PC Compatibles*, which contains detailed descriptions of the NI-DAQ functions. You also can use the Windows help file `NIDAQPC.HLP`, which contains all of the function reference material. Other documentation includes the *DAQ Hardware Overview Guide* (`HWOG.PDF`), the NI-DAQ Configuration Utility help file (`NIDAQCFG.HLP`), and the DAQ Channel Wizard help file (`CHANWIZ.HLP`).

## Organization of This Manual

---

The *NI-DAQ Function Reference Manual for PC Compatibles* is organized as follows:

- Chapter 1, *Using the NI-DAQ Functions*, contains important information about how to apply the function descriptions in this manual to your programming language and environment.
- Chapter 2, *Function Reference*, contains a detailed explanation of each NI-DAQ function. The functions are arranged alphabetically.
- Appendix A, *Status Codes*, lists the status codes returned by NI-DAQ, including the name and description.

- Appendix B, *Analog Input Channel, Gain Settings, and Voltage Calculation*, lists the valid channel and gain settings for DAQ boards, describes how NI-DAQ calculates voltage, and describes the measurement of offset and gain adjustment.
- Appendix C, *NI-DAQ Function Support*, contains tables that show which DAQ hardware each NI-DAQ function call supports.
- Appendix D, *Customer Communication*, contains forms you can use to request help from National Instruments or to comment on our products and manuals.
- The *Glossary* contains an alphabetical list and description of terms used in this manual, including abbreviations, acronyms, metric prefixes, mnemonics, and symbols.
- The *Index* contains an alphabetical list of key terms and topics in this manual, including the page where you can find each one.

## Conventions Used in This Manual

---

The following conventions are used in this manual.



This icon to the left of bold italicized text denotes a note, which alerts you to important information.



This icon to the left of bold italicized text denotes a caution, which advises you of precautions to take to avoid injury, data loss, or a system crash.

1102/B/C modules	Refers to the SCXI-1102, SCXI-1102B, and SCXI-1102C modules and the VXI-SC-1102, VXI-SC-1102B, and VXI-SC-1102C submodules.
12-bit device	These MIO and AI devices are listed in Table 1.
16-bit device	These MIO and AI devices are listed in Table 1.
445X device	Refers to the PCI-4451 and PCI-4452.
455X device	Refers to the PCI-4551 and PCI-4552.
516 device	Refers to the DAQCard-516 and PC-516.
611X device	Refers to the PCI-6110E and PCI-6111E.
6602 device	Refers to the PCI-6602 and PXI-6602.
AI device	These analog input devices are listed in Table 1.

Am9513-based device	These devices are the AT-MIO-16, AT-MIO-16F-5, AT-MIO-16X, AT-MIO-16D, and AT-MIO-64F-5.
<b>bold</b>	Bold text denotes the names of menus, menu items, parameters, dialog boxes, dialog box buttons or options, icons, windows, Windows 95 tabs or pages, or LEDs.
<b><i>bold italic</i></b>	Bold italic text denotes a note, caution, or warning.
DAQArb 5411 device	Refers to the AT-5411 and PCI-5411.
DAQCard-500/700	Refers to the DAQCard-500 and DAQCard-700.
DAQMeter 4350	Refers to the PC-4350, DAQCard-4350, and DAQPad-4350.
DIO 6533	Refers to the AT-DIO-32HS, PCI-DIO-32HS, DAQCard-6533, and PXI-6533.
DIO-24	Refers to the PC-DIO-24, PC-DIO-24PnP, and DAQCard-DIO-24.
DIO-32F	Refers to the AT-DIO-32F.
DIO-96	Refers to the PC-DIO-96, PC-DIO-96PnP, PCI-DIO-96, DAQPad-6507, DAQPad-6508, and PXI-6508.
DIO device	Refers to any DIO-24, DIO-32, DIO-6533, or DIO-96.
DSA device	Refers to the PCI-4451, PCI-4452, PCI-4551, and PCI-4552.
E Series device	These are MIO and AI devices. Refer to Table 1 for a complete list of these devices.
<i>italic</i>	Italic text denotes emphasis, a cross reference, or an introduction to a key concept. This font also denotes text for which you supply the appropriate word or value, such as in NI-DAQ 5.x.
Lab and 1200 analog output device	Refers to the DAQCard-1200, DAQPad-1200, Lab-PC+, Lab-PC-1200, PCI-1200, and SCXI-1200.
Lab and 1200 device	Refers to the DAQCard-1200, DAQPad-1200, Lab-PC+, Lab-PC-1200, Lab-PC-1200AI, PCI-1200, and SCXI-1200.
LPM device	Refers to the PC-LPM-16 and PC-LPM-16PnP.
MIO device	Refers to multifunction I/O devices. See Table 1 for a list of these devices.

MIO-F-5/16X device	Refers to the AT-MIO-16F-5, AT-MIO-16X, and the AT-MIO-64F-5.
MIO-16/16D device	Refers to the AT-MIO-16 and AT-MIO-16D.
MIO-16XE-50 device	Refers to the AT-MIO-16XE-50, DAQPad-MIO-16XE-50, and NEC-MIO-16XE-50, and PCI-MIO-16XE-50.
MIO-64	Refers to the AT-MIO-64F-5, AT-MIO-64E-4, PCI-6031E, PCI-6033E, PCI-6071E, VXI-MIO-64E-1, and VXI-MIO-64XE-10.
monospace	Text in this font denotes text or characters that you should literally enter from the keyboard, sections of code, programming examples, and syntax examples. This font also is used for the proper names of disk drives, paths, directories, programs, subprograms, subroutines, device names, functions, operations, variables, filenames, and extensions, and for statements and comments taken from program code.
<i>monospace italic</i>	Italic text in this font denotes that you must supply the appropriate words or values in the place of these items.
NI-DAQ	Refers to the NI-DAQ software for PC compatibles, unless otherwise noted.
PC	Refers to the IBM PC/XT, IBM PC AT, and compatible computers.
PCI Series	Refers to the National Instruments products that use the high-performance expansion bus architecture originally developed by Intel to replace ISA and EISA.
Remote SCXI	Refers to an SCXI configuration where either an SCXI-2000 chassis or an SCXI-2400 remote communications module is connected to the PC serial port.
SCXI-1102/B/C	SCXI-1102/B/C refers to the SCXI-1102, SCXI-1102B, and SCXI-1102C devices.
SCXI-1120/D	SCXI-1120/D refers to the SCXI-1120 and SCXI-1120D.
SCXI analog input module	Refers to the SCXI-1100, SCXI-1102, SCXI-1120, SCXI-1120D, SCXI-1121, SCXI-1122, SCXI-1140, and SCXI-1141.
SCXI chassis	Refers to the SCXI-1000, SCXI-1000DC, SCXI-1001, and SCXI-2000.
SCXI digital module	Refers to the SCXI-1160, SCXI-1161, SCXI-1162, SCXI-1162HV, SCXI-1163, and SCXI-1163R.

Simultaneous sampling device	Refers to the PCI-6110E, PCI-6111E, PCI-4451, PCI-4452, PCI-4551, and PCI-4552.
VXI-MIO device	Refers to the VXI-MIO-64E-1 and VXI-MIO-64XE-10.
VXI-SC-1102/B/C	Refers to the VXI-SC-1102, VXI-SC-1102B, and VXI-SC-1102C.

## MIO and AI Device Terminology

This manual uses generic terms to describe groups of devices whenever possible. The generic terms for the MIO and AI devices are based on the number of bits, the platform, the functionality, and the series name of the devices. Table 1 lists each MIO and AI device and the possible classifications for each.

**Table 1.** MIO and AI Devices

Device	Number of SE Channels	Bit	Type	Functionality	Series
AT-AI-16XE-10	16	16-bit	AT	AI	E Series
AT-MIO-16	16	12-bit	AT	MIO	Am9513-based
AT-MIO-16D	16	12-bit	AT	MIO	Am9513-based
AT-MIO-16DE-10	16	12-bit	AT	MIO	E Series
AT-MIO-16E-1	16	12-bit	AT	MIO	E Series
AT-MIO-16E-2	16	12-bit	AT	MIO	E Series
AT-MIO-16E-10	16	12-bit	AT	MIO	E Series
AT-MIO-16F-5	16	12-bit	AT	MIO	Am9513-based
AT-MIO-16X	16	16-bit	AT	MIO	Am9513-based
AT-MIO-16XE-10	16	16-bit	AT	MIO	E Series
AT-MIO-16XE-50	16	16-bit	AT	MIO	E Series
AT-MIO-64E-3	64	12-bit	AT	MIO	E Series
AT-MIO-64F-5	64	12-bit	AT	MIO	Am9513-based
DAQCard-AI-16E-4	16	12-bit	PCMCIA	AI	E Series
DAQCard-AI-16XE-50	16	16-bit	PCMCIA	AI	E Series
DAQPad-MIO-16XE-50	16	16-bit	Parallel Port	MIO	E Series
DAQPad-6020E	16	12-bit	USB	MIO	E Series
NEC-AI-16E-4	16	12-bit	NEC	AI	E Series



**Table 1.** MIO and AI Devices (Continued)

Device	Number of SE Channels	Bit	Type	Functionality	Series
NEC-AI-16XE-50	16	16-bit	NEC	AI	E Series
NEC-MIO-16E-4	16	12-bit	NEC	MIO	E Series
NEC-MIO-16XE-50	16	16-bit	NEC	MIO	E Series
PCI-6031E (MIO-64XE-10)	64	16-bit	PCI	MIO	E Series
PCI-6032E (AI-16XE-10)	16	16-bit	PCI	AI	E Series
PCI-6033E (AI-64XE-10)	64	16-bit	PCI	AI	E Series
PCI-6071E (MIO-64E-1)	64	12-bit	PCI	MIO	E Series
PCI-6110E	4 diff. only	12-bit AI 16-bit AO	PCI	MIO	E Series
PCI-6111E	2 diff. only	12-bit AI 16-bit AO	PCI	MIO	E Series
PCI-MIO-16E-1	16	12-bit	PCI	MIO	E Series
PCI-MIO-16E-4	16	12-bit	PCI	MIO	E Series
PCI-MIO-16XE-10	16	16-bit	PCI	MIO	E Series
PCI-MIO-16XE-50	16	16-bit	PCI	MIO	E Series
PXI-6011E	16	16-bit	PXI	MIO	E Series
PXI-6030E	16	16-bit	PXI	MIO	E Series
PXI-6040E	16	12-bit	PXI	MIO	E Series
PXI-6070E	16	12-bit	PXI	MIO	E Series
VXI-MIO-64E-1	64	12-bit	VXI	MIO	E Series
VXI-MIO-64XE-10	64	16-bit	VXI	MIO	E Series

# About the National Instruments Documentation Set

---

The *NI-DAQ Function Reference Manual for PC Compatibles* is one piece of the documentation set for your DAQ system. You might have any of several types of manuals, depending on the hardware and software in your system. Use these manuals as follows:

- Your SCXI hardware user manuals—If you are using SCXI, read these manuals next for detailed information about signal connections and module configuration. They also explain in greater detail how the module works and contain application hints.
- Your DAQ hardware user manuals—These manuals have detailed information about the DAQ hardware that plugs into or is connected to your computer. Use these manuals for hardware installation and configuration instructions, specification information about your DAQ hardware, and application hints.
- Software documentation—Examples of software documentation you might have are the ComponentWorks, LabVIEW and LabWindows/CVI, VirtualBench, and NI-DAQ documentation. After you have set up your hardware system, use either the application software or the NI-DAQ documents to help you write your application. If you have a large and complicated system, it is worthwhile to look through the software manuals before you configure your hardware.
- Accessory installation guides or manuals—If you are using accessory products, read the terminal block and cable assembly installation guides or accessory board user manuals. They explain how to physically connect the relevant pieces of the system. Consult these guides when you are making your connections.
- *SCXI Chassis User Manual*—If you are using SCXI, read this manual for maintenance information on the chassis and installation instructions.

## Related Documentation

---

The following documents contain information you may find useful as you read this manual:

For detailed hardware information, refer to the user manual included with each board. The following manuals are available from National Instruments:

- *Microsoft Visual C++ User Guide to Programming*
- Omega Temperature Handbook
- NIST Monograph 125, Thermocouple Reference Tables

## Customer Communication

---

National Instruments wants to receive your comments on our products and manuals. We are interested in the applications you develop with our products, and we want to help if you have problems with them. To make it easy for you to contact us, this manual contains comment and configuration forms for you to complete. These forms are in Appendix D, *Customer Communication*, at the end of this manual.

# Using the NI-DAQ Functions

Chapter

1

This chapter contains important information about how to apply the function descriptions in this manual to your programming language and environment.

When you are familiar with the material in the *NI-DAQ User Manual for PC Compatibles*, you can use this manual for detailed information about each NI-DAQ function.

## Status Codes, Device Numbers, and SCXI Chassis IDs

Every NI-DAQ function is of the following form:

**status** = Function\_Name (parameter 1, parameter 2, ... parameter  $n$ )

where  $n \geq 0$ . Each function returns a value in the **status** variable that indicates the success or failure of the function, as shown in Table 1-1.

Table 1-1. Status Values

Status	Result
Negative	Function did not execute because of an error
Zero	Function completed successfully
Positive	Function executed but with a potentially serious side effect



**Note**

*In all applications, status is always a 16-bit integer. Appendix A, [Status Codes](#), contains a list of status codes.*

In the parameter tables that follow the status codes, the first parameter to almost every NI-DAQ function is the device number of the DAQ device you want NI-DAQ to use for the given operation. After you have followed the installation and configuration instructions in the NI-DAQ release notes and Chapter 1, *Introduction to NI-DAQ*, of the *NI-DAQ User Manual for PC Compatibles*, you can use the NI-DAQ Configuration Utility to determine the device number for each device you have installed in the system. You can

use the configuration utility to verify your device numbers. You can use multiple DAQ devices in one application; to do so, simply pass the appropriate device number to each function.

If you are using SCXI, you must pass the chassis ID that you assigned to your SCXI chassis in the configuration utility to the SCXI functions that you use. For many of the SCXI functions, you must also pass the module slot number of the module you want to use. The slots in the SCXI chassis are numbered from left to right, beginning with slot 1. The controller on the left side of the chassis is referred to as Slot 0. You can use the configuration utility to verify your chassis IDs and your module slot numbers.

## Variable Data Types

The NI-DAQ API is identical in Windows 95 and Windows NT. Every function description has a parameter table that lists the data types in each of the environments. LabWindows/CVI uses the same types as Windows. The following sections describe the notation used in those parameter tables and throughout the manual for variable data types.

### Primary Types

Table 1-2 shows the primary type names and their ranges.

**Table 1-2.** Primary Type Names

Type Name	Description	Range	Type		
			C/C++	Visual BASIC	Pascal (Borland Delphi)
u8	8-bit ASCII character	0 to 255	char	Not supported by BASIC. For functions that require character arrays, use string types instead. See the STR description.	Byte
i16	16-bit signed integer	-32,768 to 32,767	short	Integer (for example: deviceNum%)	SmallInt

**Table 1-2.** Primary Type Names (Continued)

Type Name	Description	Range	Type		
			C/C++	Visual BASIC	Pascal (Borland Delphi)
u16	16-bit unsigned integer	0 to 65,535	unsigned short for 32-bit compilers	Not supported by BASIC. For functions that require unsigned integers, use the signed integer type instead. See the i16 description.	Word
i32	32-bit signed integer	-2,147,483,648 to 2,147,483,647	long	Long (for example: count&)	LongInt
u32	32-bit unsigned integer	0 to 4,294,967,295	unsigned long	Not supported by BASIC. For functions that require unsigned long integers, use the signed long integer type instead. See the i32 description.	Cardinal (in 32-bit operating systems). Refer to the i32 description.
f32	32-bit single-precision floating point	$-3.402823 \times 10^{38}$ to $3.402823 \times 10^{38}$	float	Single (for example: num!)	Single
f64	64-bit double-precision floating point	$-1.797683134862315 \times 10^{308}$ to $1.797683134862315 \times 10^{308}$	double	Double (for example: voltage#)	Double
STR	BASIC or Pascal character string	—	Use character array terminated by the null character \0	String (for example: filename\$)	String

## Arrays

When a primary type is inside square brackets (for example, [i16]) an array of the type named is required for that parameter.

## Multiple Types

Some parameters can be in multiple types. Combinations of the primary types separated by commas denote parameters with this ability, as in the following example:

[i16], [f32]

The previous example describes a parameter that can accept an array of signed integers or an array of floating-point numbers.

## Programming Language Considerations

---

Apart from the data type differences, there are a few language-dependent considerations you need to be aware of when you use the NI-DAQ API. Read the following sections that apply to your programming language.



### Note

*Be sure to include the NI-DAQ function prototype files by including the appropriate NI-DAQ header file in your source code.*

### Borland Delphi

When you pass arrays to NI-DAQ functions using Borland Delphi in Windows, you need to pass a pointer to the array. You can either declare an array and pass the array *address* to the NI-DAQ function, or you can declare a pointer, dynamically allocate memory for the pointer, and pass the pointer directly to the NI-DAQ function. For example,

```
var
    buffer : array [1..1000] of Integer;
    bufPtr : ^Integer;

status := DAQ_Start (device, chan, gain, @buffer, count,
    timebase, sampInterval);

or

(* allocate memory for bufPtr first using AllocMem or
New *)

status := DAQ_Start (device, chan, gain, bufPtr, count,
    timebase, sampInterval);
```

### Visual Basic for Windows

When you pass arrays to NI-DAQ functions using Visual Basic for Windows, you need to pass the first element of the array by reference. For example, you would call the DAQ\_Start function using the following syntax:

```
status% = DAQ_Start (device%, chan%, gain%, buffer%(0),
    count&, timebase%, sampInterval%)
```

## NI-DAQ Constants Include File

The file `NIDAQCNS.INC` contains definitions for constants required for some of the NI-DAQ functions. You should use the constants symbols in your programs; do not use the numerical values.

In Visual Basic for Windows, you can add the entire `NIDAQCNS.INC` file into your project. You then will be able to use any of the constants defined in this file in any module in your program.

To add the `NIDAQCNS.INC` file for your project in Visual Basic 3.0 and 4.0, go to the **File** menu and select the **Add File...** option. Select `NIDAQCNS.INC`, which is the `Include` subdirectory of NI-DAQ subdirectory. Then, select **Open** to add the file to the project.

To add the `NIDAQCNS.INC` file to your project in Visual Basic 5.0, go to the **Project** menu and select **Add Module**. Click on the **Existing** tab page. Select `NIDAQCNS.INC`, which is the `Include` subdirectory of your NI-DAQ directory. Then, select **Open** to add the file to the project.

This procedure is identical to the procedure you would follow when loading the Visual Basic file `CONSTANT.TXT`. Search on the word *CONSTANT* for more information from the Visual Basic on-line help. Alternatively, you can cut and paste individual lines from this file and place them in the module where you need them. However, if you do so, you should remove the word *Global* from the *CONSTANTS* definition.

For example,

```
GLOBAL CONST ND_DATA_XFER_MODE_AI& = 14000
```

would become:

```
CONST ND_DATA_XFER_MODE_AI& = 14000
```

## NI-DAQ for LabWindows/CVI

---

Inside the LabWindows/CVI environment, the NI-DAQ functions appear in the Data Acquisition function panels under the **Libraries** menu. Each function panel represents an NI-DAQ function, which is displayed at the bottom of the panel. The function panels have help text for each function and each parameter; however, if you need additional information, you can look up the appropriate NI-DAQ function alphabetically in Chapter 2, [Function Reference](#) of this manual.



Table 1-3 shows how the LabWindows/CVI function panel tree is organized, and the NI-DAQ function name that corresponds to each function panel.

**Table 1-3.** The LabWindows/CVI Function Tree for Data Acquisition

LabWindows/CVI Function Panel	NI-DAQ Function
<b>Data Acquisition</b>	
<b>Initialization/Utilities</b>	
Initialize Board	Init_DA_Brds
Configure Timeout	Timeout_Config
Get Device Information	Get_DAQ_Device_Info
Set Device Information	Set_DAQ_Device_Info
Align DMA Buffer	Align_DMA_Buffer
Get DAQ Library Version	Get_NI_DAQ_Version
Select E-Series Signals	Select_Signal
Config Analog Trigger	Configure_HW_Analog_Trigger
Change Line Attribute	Line_Change_Attribute
<b>Board Config &amp; Calibrate</b>	
Configure MIO Boards	MIO_Config
Configure AMUX Boards	AI_Mux_Config
Configure SC-2040	SC_2040_Config
Calibrate MIO Boards	MIO_Calibrate
Calibrate E Series	Calibrate_E_Series
Calibrate LPM-16	LPM16_Calibrate
Calibrate Analog Output	AO_Calibrate
Calibrate 1200 Devices	Calibrate_1200
Calibrate DSA Devices	Calibrate_DSA

**Table 1-3.** The LabWindows/CVI Function Tree for Data Acquisition (Continued)

LabWindows/CVI Function Panel	NI-DAQ Function
<b>Analog Input</b>	
<b>Single Point</b>	
Change Analog Input Parameter	AI_Change_Parameter
Measure Voltage	AI_VRead
Clear Analog Input	AI_Clear
Read Analog Binary	AI_Read
Scale Binary to Voltage	AI_VScale
Setup Analog Input	AI_Setup
Check Analog Input	AI_Check
Configure Analog Input	AI_Configure
<b>Multiple Point</b>	
Acquire Single Channel	DAQ_Op
Scan Multiple Channels	SCAN_Op
Scan Lab Channels	Lab_ISCAN_Op
Single Scan Binary	AI_Read_Scan
Single Scan Voltage	AI_VRead_Scan
Single Channel to Disk	DAQ_to_Disk
Multiple Chan to Disk	SCAN_to_Disk
Scan Lab Chan to Disk	Lab_ISCAN_to_Disk
<b>Low-Level Functions</b>	
Convert DAQ Rate	DAQ_Rate
Start DAQ	DAQ_Start
Setup Scan	SCAN_Setup
Setup Sequence of Scans	SCAN_Sequence_Setup
Retrieve Scan Sequence	SCAN_Sequence_Retrieve

**Table 1-3.** The LabWindows/CVI Function Tree for Data Acquisition (Continued)

LabWindows/CVI Function Panel	NI-DAQ Function
Start Scan	SCAN_Start
Check DAQ or Scan	DAQ_Check
Assign Rate to DAQ Group	DAQ_Set_Clock
Monitor DAQ or Scan	DAQ_Monitor
Start Lab Scan	Lab_ISCAN_Start
Check Lab Scan	Lab_ISCAN_Check
Clear DAQ or Scan	DAQ_Clear
Scale DAQ or Scan	DAQ_VScale
Reorder Scan Data	SCAN_Demux
Reorder Scan Seq Data	SCAN_Sequence_Demux
Configure DAQ	DAQ_Config
Config DAQ Pretrigger	DAQ_StopTrigger_Config
Config Double Buffering	DAQ_DB_Config
Is Half Buffer Ready?	DAQ_DB_HalfReady
Half Buffer to Array	DAQ_DB_Transfer
<b>Analog Output</b>	
<b>Single Point</b>	
Generate Voltage	AO_VWrite
Scale Voltage to Binary	AO_VScale
Write Analog Binary	AO_Write
Update Analog DACs	AO_Update
Configure Analog Output	AO_Configure
Change Analog Output Parameter	AO_Change_Parameter

**Table 1-3.** The LabWindows/CVI Function Tree for Data Acquisition (Continued)

LabWindows/CVI Function Panel	NI-DAQ Function
<b>Waveform Generation</b>	
Generate WFM from Array	WFM_Op
Generate WFM from Disk	WFM_from_Disk
<b>Low-Level Functions</b>	
Scale Waveform Buffer	WFM_Scale
Convert Waveform Rate	WFM_Rate
Assign Waveform Group	WFM_Group_Setup
Load Waveform Buffer	WFM_Load
Assign Rate to WFM Group	WFM_ClockRate, WFM_Set_Clock
Control Waveform Group	WFM_Group_Control
Pause/Resume WFM Channel	WFM_Chan_Control
Check Waveform Channel	WFM_Check
Enable Double Buffering	WFM_DB_Config
Is Half Buffer Ready?	WFM_DB_HalfReady
Copy Array to WFM Buffer	WFM_DB_Transfer
<b>Digital Input/Output</b>	
Configure Port	DIG_Prt_Config
Configure Line	DIG_Line_Config
Read Port	DIG_In_Port
Read Line	DIG_In_Line
Write Port	DIG_Out_Port
Write Line	DIG_Out_Line
Get Port Status	DIG_Prt_Status
Configure Trigger	DIG_Trigger_Config

**Table 1-3.** The LabWindows/CVI Function Tree for Data Acquisition (Continued)

LabWindows/CVI Function Panel	NI-DAQ Function
<b>Group Mode</b>	
Configure Group	DIG_Grp_Config
Read Group	DIG_In_Grp
Write Group	DIG_Out_Grp
Get Group Status	DIG_Grp_Status
Set Group Mode	DIG_Grp_Mode
<b>Block Transfer</b>	
Read Block	DIG_Block_In
Write Block	DIG_Block_Out
Check Block	DIG_Block_Check
Clear Block	DIG_Block_Clear
Set Up Pattern Generation	DIG_Block_PG_Config
Set Up Digital Scanning	DIG_SCAN_Setup
Enable Double Buffering	DIG_DB_Config
Is Half Buffer Ready?	DIG_DB_HalfReady
Transfer To/From Array	DIG_DB_Transfer
<b>SCXI</b>	
Load SCXI Configuration	SCXI_Load_Config
Change Configuration	SCXI_Set_Config
Get Chassis Config Info	SCXI_Get_Chassis_Info
Get Module Config Info	SCXI_Get_Module_Info
Read Module ID Register	SCXI_ModuleID_Read
Reset SCXI	SCXI_Reset
Set Up Single AI Channel	SCXI_Single_Chan_Setup
Set Up Muxed Scanning	SCXI_SCAN_Setup

**Table 1-3.** The LabWindows/CVI Function Tree for Data Acquisition (Continued)

<b>LabWindows/CVI Function Panel</b>	<b>NI-DAQ Function</b>
Set Up Mux Counter	SCXI_MuxCtr_Setup
Set Up Track/Hold	SCXI_Track_Hold_Setup
Control Track/Hold State	SCXI_Track_Hold_Control
Select Gain	SCXI_Set_Gain
Configure Filter	SCXI_Configure_Filter
Select Scanning Mode	SCXI_Set_Input_Mode
Change AI Channel	SCXI_Change_Chan
Scale SCXI Data	SCXI_Scale
Write to AO Channel	SCXI_AO_Write
Set Digital or Relay State	SCXI_Set_State
Get Digital or Relay State	SCXI_Get_State
Get Status Register	SCXI_Get_Status
Set Up Calibration Mode	SCXI_Calibrate_Setup
Change Cal Constants	SCXI_Cal_Constants
Set Threshold Values	SCXI_Set_Threshold
<b>Counter/Timer</b>	
<b>DAQ-STC Counters (GPCTR)</b>	
Select Ctr Application	GPCTR_Set_Application
Change Ctr Parameter	GPCTR_Change_Parameter
Configure Ctr Buffer	GPCTR_Config_Buffer
Control Ctr Operation	GPCTR_Control
Monitor Ctr Properties	GPCTR_Watch
<b>Am9513 Counters (CTR)</b>	
Configure Counter	CTR_Config
Count Events	CTR_EvCount

**Table 1-3.** The LabWindows/CVI Function Tree for Data Acquisition (Continued)

LabWindows/CVI Function Panel	NI-DAQ Function
Count Periods	CTR_Period
Read Counter	CTR_EvRead
Stop Counter	CTR_Stop
Restart Counter	CTR_Restart
Reset Counter	CTR_Reset
Get Counter Output State	CTR_State
Convert CTR Rate	CTR_Rate
Generate Pulse	CTR_Pulse
Generate Square Wave	CTR_Square
Generate Freq OUT Signal	CTR_FOUT_Config
Operate Multi Counters	CTR_Simul_Op
<b>8253 Counters (ICTR)</b>	
Setup Interval Counter	ICTR_Setup
Read Interval Counter	ICTR_Read
Reset Interval Counter	ICTR_Reset
<b>RTSI Bus</b>	
Connect RTSI	RTSI_Conn
Disconnect RTSI	RTSI_DisConn
Clear RTSI	RTSI_Clear
Clock RTSI	RTSI_Clock
<b>Event Messaging</b>	
Config Alarm Deadband	Config_Alarm_Deadband
Config Analog Trigger Event	Config_ATrig_Event_Message
Config Event Message	Config_DAQ_Event_Message

*Initialization/Utilities* is a class of functions used for general board initialization and configuration, for configuration retrieval, and for setting NI-DAQ properties. This class also contains several useful utility functions.

*Board Config & Calibrate* is a class of functions that perform calibration and configuration that is specific to a single type of board.

The *Analog Input* class contains all of the classes of functions that perform A/D conversions.

*Single Point* is a class of Analog Input functions that perform A/D conversions of a single sample.

*Multiple Point* is a class of functions that perform clocked, buffered multiple A/D conversions typically used to capture waveforms. This class includes high-level functions and a *Low-Level Functions* subclass. The high-level functions are synchronous; that is, your application is blocked while these functions are performing the requested number of A/D conversions. The low-level functions are asynchronous; that is, your application continues to run while the board performs A/D conversions in the background. The low-level functions also include the double-buffered functions.

The *Analog Output* class contains all the classes of functions that perform D/A conversions.

*Single Point* is a class of Analog Output functions that perform single D/A conversions.

*Waveform Generation* is a class of functions that perform buffered analog output. The Waveform Generation functions generate waveforms from data contained in an array or a disk file. The *Low-Level Functions* subclass provides a finer level of control in generating multiple D/A conversions.

*Digital Input/Output* is a class of functions that perform digital input and output operations. It also contains two subclasses. *Group Mode* is a subclass of the *Digital Input/Output* class that contains functions for handshaked digital input and output operations. *Block Transfer* is a subclass of the *Group Mode* class that contains functions for handshaked or clocked, buffered or double-buffered digital input and output operations.

*SCXI* is a class of functions used to configure the SCXI line of signal conditioning products.



*Counter/Timer* is a class of function panels that perform counting and timing operations. *DAQ-STC Counters (GPCTR)* is a subclass of *Counter/Timer* that contains functions that perform operations on the DAQ-STC counters on the E Series devices. *Am9513 Counters (CTR)* is another subclass of *Counter/Timer* that contains functions that perform operations on the Am9513 counters on the Am9513-based devices, and the PC-TIO-10. *8253 Counters (ICTR)* is a subclass of *Counter/Timer* that contains functions that perform counting and timing operations for the DAQCard-500/700 and 516, Lab and 1200 series, and LPM devices.

*RTSI Bus* is a class of function panels that connect control signals to the RTSI bus and to other boards.

The *DAQ Event Messages* class contains functions that set up conditions for sending messages to your application when certain events occur.

# Function Reference

This chapter contains a detailed explanation of each NI-DAQ function. The functions are arranged alphabetically.

## AI\_Change\_Parameter

### Format

`status = AI_Change_Parameter (deviceNumber, channel, paramID, paramValue)`

### Purpose

Selects a specific parameter for the analog input section of the device or an analog input channel. You can select parameters related to analog input not listed here through the `AI_Configure` function.

### Input

Name	Type	Description
<b>deviceNumber</b>	i16	assigned by configuration utility
<b>channel</b>	i16	number of channel you want to configure; use -1 to indicate all channels
<b>paramID</b>	u32	identification of the parameter you want to change
<b>paramValue</b>	u32	new value for the parameter specified by <b>paramID</b>

### Parameter Discussion

Legal ranges for **paramID** and **paramValue** are given in terms of constants defined in a header file. The header file you should use depends on the language you are using:

- C programmers—`NIDAQCNS.H` (`DATAACQ.H` for LabWindows/CVI)
- BASIC programmers—`NIDAQCNS.INC`



#### Note

*Visual Basic for Windows programmers should refer to the Visual Basic for Windows topic for more information.*

- Pascal programmers—NIDAQCNS.PAS

Legal values for **channel** depend on the type of device you are using; analog input channels are labeled 0 through  $n - 1$ , where  $n$  is the number of analog input channels on your device. You can set **channel** to  $-1$  to indicate that you want the same parameter selection for all channels.



**Note** *For the 611X devices, specify ND\_PFI\_0 for channel when setting coupling of the PFI\_0 line for the analog trigger.*

Legal values for **paramValue** depend on **paramID**. The following paragraph list features you can configure along with legal values for **paramID** with explanations and corresponding legal values for **paramValue**.

## Channel Coupling

Some analog input devices have programmable AC/DC coupling for the analog input channels. To change the coupling parameter, set **paramID** to ND\_AI\_COUPLING.

## Coupling Parameters

Device Type	Per Channel Selection Possible	Legal Range for paramValue	Default Setting
PCI-6110E	Yes	ND_AC and ND_DC	ND_DC
PCI-6111E	Yes	ND_AC and ND_DC	ND_DC
PCI-445X	Yes	ND_AC and ND_DC	ND_AC
PCI-455X	Yes	ND_AC and ND_DC	ND_AC

## Using This Function

You can customize the behavior of the analog input section of your device by using this function. Call this function before calling NI-DAQ functions that cause input on the analog input channels. You can call this function as often as needed.

# AI\_Check

---

## Format

**status = AI\_Check (deviceNumber, readingAvailable, reading)**

## Purpose

Returns the status of the analog input circuitry and an analog input reading if one is available. `AI_Check` is intended for use when A/D conversions are initiated by external pulses applied at the `EXTCONV*` pin or, if you are using the E Series devices, at the pin selected through the `Select_Signal` function; see `DAQ_Config` for information on enabling external conversions.

## Parameters

### Input

Name	Type	Description
<b>deviceNumber</b>	i16	assigned by configuration utility

### Output

Name	Type	Description
<b>readingAvailable</b>	i16	whether a reading is available
<b>reading</b>	i16	integer result

## Parameter Discussion

**readingAvailable** represents the status of the analog input circuitry.

- 1: NI-DAQ returns an A/D conversion result in **reading**.
- 0: No A/D conversion result is available.

**reading** is the integer in which NI-DAQ returns the 12-bit result of an A/D conversion. If the device is configured for unipolar operation, **reading** ranges from 0 to 4,095. If the device is configured for bipolar operation, **reading** ranges from -2,048 to +2,047. For devices with 16-bit ADCs, **reading** ranges from 0 to 65,535 in unipolar operation, and -32,768 to +32,767 in bipolar operation.



**Note** *C Programmers*—**readingAvailable** and **reading** are pass-by-reference parameters.

## Using This Function

AI\_Check checks the status of the analog input circuitry. If the device has performed an A/D conversion, AI\_Check returns **readingAvailable** = 1 and the A/D conversion result. Otherwise, AI\_Check returns **readingAvailable** = 0.

AI\_Setup, in conjunction with AI\_Check and AI\_Clear, is useful for externally timed A/D conversions. Before you call AI\_Setup, you can call AI\_Clear to clear out the A/D FIFO of any previous conversion results. The device then performs a conversion each time the device receives a pulse at the appropriate pin. You can call AI\_Check to check for and return available conversion results.



**Note**

*You cannot use this function if you have an SC-2040 connected to your DAQ device.*

## AI\_Clear

---

### Format

`status = AI_Clear (deviceNumber)`

### Purpose

Clears the analog input circuitry and empties the FIFO memory.

### Parameters

#### Input

Name	Type	Description
<code>deviceNumber</code>	i16	assigned by configuration utility

### Using This Function

`AI_Clear` clears the analog input circuitry and empties the analog input FIFO memory.

`AI_Clear` also clears any analog input error conditions. Call `AI_Clear` before `AI_Setup` to clear out the A/D FIFO memory before any series of externally triggered conversions begins.

## AI\_Configure

---

### Format

**status = AI\_Configure (deviceNumber, chan, inputMode, inputRange, polarity, driveAIS)**

### Purpose

Informs NI-DAQ of the input mode (single-ended or differential), input range, and input polarity selected for the device. Use this function if you have changed the jumpers affecting the analog input configuration from their factory settings. For devices that have no jumpers for analog input configuration, this function programs the device for the settings you want.

### Parameters

#### Input

Name	Type	Description
<b>deviceNumber</b>	i16	assigned by configuration utility
<b>chan</b>	i16	channel to be configured
<b>inputMode</b>	i16	indicates whether channels are configured for single-ended or differential operation
<b>inputRange</b>	i16	voltage range of the analog input channels
<b>polarity</b>	i16	indicates whether the ADC is configured for unipolar or bipolar operation
<b>driveAIS</b>	i16	indicates whether to drive AISENSE to onboard ground

### Parameter Discussion

**chan** is the analog input channel to be configured. Except for the E Series devices, the AT-MIO-64F-5, and the AT-MIO-16X, you must set **chan** to  $-1$  because the same analog input configuration applies to all of the channels. For the E Series devices, AT-MIO-64F-5, and AT-MIO-16X, **chan** specifies the channel to be configured. If you want all of the channels to be configured identically, set **chan** to  $-1$ .

Range: See Table B-1 in Appendix B, *Analog Input Channel, Gain Settings, and Voltage Calculation*.

**inputMode** indicates whether the analog input channels are configured for single-ended or differential operation:

- 0: Differential (DIFF) configuration (default).

- 1: Referenced Single-Ended (RSE) configuration (used when the input signal does not have its own ground reference. The negative input of the instrumentation amplifier is tied to the instrumentation amplifier signal ground to provide one).
- 2: Nonreferenced Single-Ended (NRSE) configuration (used when the input signal has its own ground reference. The ground reference for the input signal is connected to AISENSE, which is tied to the negative input of the instrumentation amplifier).

**inputRange** is the voltage range of the analog input channels. **polarity** indicates whether the ADC is configured for unipolar or bipolar operation:

- 0: Bipolar operation (default value).
- 1: Unipolar operation.

Table 2-1 shows all possible settings for **inputMode**, **inputRange**, and **polarity**. **inputMode** is independent of **inputRange** and **polarity**. In this table, italic text denotes default settings.

**Table 2-1.** Parameter Settings for AI\_Configure

Device	Possible Values for inputMode	Analog Input Range			Software Configurable
		inputRange	polarity	Resulting Analog Input Range	
AT-MIO-64F-5, AT-MIO-16F-5, 12-bit E Series	0, 1, 2	ignored	unipolar	0 to +10 V	Yes
		ignored	<i>bipolar</i>	-5 to +5 V	
AT-MIO-16X, 16-bit E Series, PCI-6110E, PCI-6111E	0, 1, 2	ignored	unipolar	0 to +10 V	Yes
		ignored	<i>bipolar</i>	-10 to +10 V	
MIO-16 and AT-MIO-16D	0, 1, 2	10	unipolar	0 to +10 V	No
		10	bipolar	-5 to +5 V	
		20	<i>bipolar</i>	-10 to +10 V	
Lab-PC+	0, 1, 2	ignored	unipolar	0 to +10 V	No
		ignored	<i>bipolar</i>	-5 to +5 V	
1200 and 1200AI Devices	0, 1, 2	ignored	unipolar	0 to +10 V	Yes
		ignored	<i>bipolar</i>	-5 to +5 V	



**Table 2-1.** Parameter Settings for AI\_Configure (Continued)

Device	Possible Values for inputMode	Analog Input Range			Software Configurable
		inputRange	polarity	Resulting Analog Input Range	
LPM Devices (RSE inputMode only)	ignored	5	unipolar	0 to +5 V	No (PC-LPM-16) Yes (PC-LPM-16PnP)
		5	bipolar	-2.5 to +2.5 V	
		10	unipolar	0 to +10 V	
		10	bipolar	-5 to +5 V	
516 Devices, DAQCard-500	1	10	bipolar	-5 to 5 V	N/A
DAQCard-700	0, 1	5	bipolar	-2.5 to +2.5 V	Yes
		10	bipolar	-5 to +5 V	
		20	bipolar	-10 to +10 V	

**Note**

*If a device is software configurable, the inputMode, inputRange, and polarity parameters are used to program the device for the configuration you want. If a device is not software configurable, this function uses these parameters to inform NI-DAQ of the device configuration, which you must set using hardware jumpers. If your device is software configurable and you have changed the analog input settings through the NI-DAQ Configuration Utility, you do not have to use AI\_Configure, although it is good practice to do so in case you inadvertently change the configuration file maintained by the NI-DAQ Configuration Utility.*

**driveAIS**, for the AT-MIO-64F-5 and AT-MIO-16X, indicates whether to drive AISENSE to onboard ground or not. This parameter is ignored for all other devices.

- 0: Do not drive AISENSE to ground.
- 1: Drive AISENSE to ground.

Notice that if you have configured any of the input channels in nonreferenced single-ended (NRSE) mode, this function returns a warning, **inputModeConflict** (18), if you set **driveAIS** to 1. When NI-DAQ reads a channel in NRSE mode, the device uses AISENSE as an input to the negative input of the amplifier, regardless of the **driveAIS** setting. When NI-DAQ reads a channel in differential or referenced single-ended (RSE) mode, the device drives AISENSE to onboard ground if **driveAIS** is 1.

## Using This Function

When you attach an SC-2040 or SC-2042-RTD to your DAQ device, you must configure channels 0 through 7 for differential mode. When you attach an SC-2043-SG or any SCC accessories to your DAQ device, you must configure these channels for nonreferenced single-ended mode. On the AT-MIO-16X, 16-bit E Series, AT-MIO-16F-5, and AT-MIO-64F-5 devices, the calibration constants used for analog input change depending on the polarity of the analog input channels. NI-DAQ always ensures that the calibration constants in use match the current polarity of the channels.

See the `Calibrate_E_Series` function description for information about calibration constant loading on the E Series devices.

If you change the polarity on AT-MIO-16X, AT-MIO-64F, and AT-MIO-16F-5 by calling `AI_Configure`, NI-DAQ uses the following guidelines to ensure that appropriate constants are loaded *automatically*:

- AT-MIO-16X—NI-DAQ checks if the load area contains the appropriate constants. If so, NI-DAQ will load the constants from the load area. Otherwise, NI-DAQ will load the constants from the factory area for the current polarity and return status code **calConstPolarityConflictError**.
- AT-MIO-64F-5—This device has separate caldacs for unipolar and bipolar input. Therefore, NI-DAQ does not need to reload calibration constants.
- AT-MIO-16F-5—The load area on this device contains constants for both unipolar and bipolar input. Therefore, NI-DAQ will load the appropriate constants from the load area for the current polarity.



### Note

*The actual loading of calibration constants will take place when you call an `AI`, `DAQ`, or `SCAN` function. On the AT-MIO-16X, the need for reloading the constants will depend on the polarity of the channel on which you are doing analog input.*



### Note

*The PCI-6110E and PCI-6111E support differential bipolar operation only.*

## AI\_Mux\_Config

---

### Format

**status = AI\_Mux\_Config (deviceNumber, numMuxBrds)**

### Purpose

Configures the number of multiplexer (AMUX-64T) devices connected to the MIO and AI devices and informs NI-DAQ of the presence of any AMUX-64T devices attached to the system (MIO and AI devices only).

### Parameters

#### Input

Name	Type	Description
<b>deviceNumber</b>	i16	assigned by configuration utility
<b>numMuxBrds</b>	i16	number of external multiplexer devices

### Parameter Discussion

**numMuxBrds** is the number of external multiplexer devices connected.

- 0: No external AMUX-64T devices are connected (default).
- 1, 2, 4: Number of AMUX-64T devices connected.

### Using This Function

You can use an external multiplexer device (AMUX-64T) to expand the number of analog input signals that you can measure with the MIO and AI device. The AMUX-64T has 16 separate four-to-one analog multiplexer circuits. One AMUX-64T reads 64 single-ended (32 differential) analog input signals. You can cascade four AMUX-64T devices to permit up to 256 single-ended (128 differential) analog input signals to be read through one MIO or AI device. Refer to Chapter 1, *Introduction to NI-DAQ*, of the *NI-DAQ User Manual for PC Compatibles*. See Chapter 10, *AMUX-64T External Multiplexer Device*, in the *DAQ Hardware Overview Guide* for more information on using the AMUX-64T.

AI\_Mux\_Config configures the number of multiplexer devices connected to the MIO or AI device. Input channels are then referenced in subsequent analog input calls (AI\_VRead, AI\_Setup, and DAQ\_Start, for example) with respect to the external AMUX-64T analog input channels, instead of the MIO and AI device onboard channel numbers. You need to execute the call to AI\_Mux\_Config only once in an application program.

For the AT-MIO-64F-5, AT-MIO-64E-3, PCI-6031E (MIO-64XE-10), PCI-6033 (AI-64XE-10), and PCI-6071E (MIO-64E-1), you also must call `MIO_Config` if you plan to use AMUX-64T channels. Refer to the `MIO_Config` function for further details.

**Note**

*Some of the digital lines of port 0 on the MIO or AI device with AMUX-64T devices are reserved for AMUX device control. Any attempt to change the port or line direction or the digital values of the reserved line causes an error. Table 2-2 shows the relationship between the number of AMUX-64T devices assigned to the MIO or AI device and the number of digital I/O lines reserved. You can use the remaining lines of port 0. On non-E Series devices, the remaining lines are available for output only.*

**Table 2-2.** Port 0 Digital I/O Lines Reserved

Number of AMUX-64T Devices Assigned to an MIO or AI Device	Port 0 Digital Lines Reserved
0	none
1	lines 0 and 1
2	lines 0, 1, and 2
4	lines 0, 1, 2, and 3

## AI\_Read

---

### Format

**status = AI\_Read (deviceNumber, chan, gain, reading)**

### Purpose

Reads an analog input channel (initiates an A/D conversion on an analog input channel) and returns the unscaled result.

### Parameters

#### Input

Name	Type	Description
<b>deviceNumber</b>	i16	assigned by configuration utility
<b>chan</b>	i16	analog input channel number
<b>gain</b>	i16	gain setting for the channel

#### Output

Name	Type	Description
<b>reading</b>	i16	the integer result of the A/D conversion

### Parameter Discussion

**chan** is the analog input channel number. If you are using SCXI, you must use the appropriate analog input channel on the DAQ device that corresponds to the SCXI channel you want. To select the SCXI channel, use `SCXI_Single_Chan_Setup` before calling this function. Refer to Chapter 12, *SCXI Hardware*, in the *DAQ Hardware Overview Guide* and the *NI-DAQ User Manual for PC Compatibles* for more information on SCXI channel assignments.

Range: See Table B-1 in Appendix B, *Analog Input Channel, Gain Settings, and Voltage Calculation*.

**gain** is the gain setting you use for the specified channel. This gain setting applies only to the DAQ device; if you are using SCXI, establish any gain you want on the SCXI module either by setting jumpers on the module or by calling `SCXI_Set_Gain`. Refer to Appendix B, *Analog Input Channel, Gain Settings, and Voltage Calculation*, for valid gain settings. If you use an invalid gain, NI-DAQ returns an error. If you call `AI_Read` for the DAQCard-500/700 or 516 and LPM devices, NI-DAQ ignores the gain.



**Note** *NI-DAQ does not distinguish between the low-gain and high-gain versions of the AT-MIO-16. If you enter a gain of 10 and you have a device with gains of 1, 2, 4, and 8, a gain of 2 actually is used and no error is returned.*

**reading** is the integer in which NI-DAQ returns the 12-bit or 16-bit result of the A/D conversion.

Range:     0 to 4,095 (12-bit devices, unipolar mode).  
           -2,048 to 2,047 (12-bit devices, bipolar mode).  
           0 to 65,535 (16-bit devices, unipolar mode).  
           -32,768 to 32,767 (16-bit devices, bipolar mode).



**Note** *C Programmers—reading is a pass-by-reference parameter.*

## Using This Function

AI\_Read addresses the specified analog input channel, changes the input gain to the specified gain setting, and initiates an A/D conversion. AI\_Read waits for the conversion to complete and returns the result. If the conversion does not complete within a reasonable time, the call to AI\_Read is said to have *timed out* and the **timeOutError** code is returned.

## AI\_Read\_Scan

---

### Format

**status** = AI\_Read\_Scan (AI\_Read\_Scan (deviceNumber, reading))

### Purpose

Returns readings for all analog input channels selected by SCAN\_Setup (E Series devices only, with or without the SC-2040 accessory).

### Parameters

#### Input

Name	Type	Description
<b>deviceNumber</b>	i16	assigned by configuration utility

#### Output

Name	Type	Description
<b>reading</b>	[i16]	readings from each sampled analog input channel

### Parameter Discussion

**reading** is an array of readings from each sampled analog input channel. The length of the **reading** array is equal to the number of channels selected in the SCAN\_Setup **numChans** parameter. Range of elements in **reading** depends on your device A/D converter resolution and the unipolar/bipolar selection you made make for a given channel.

### Using This Function

AI\_Read\_Scan samples the analog input channels selected by SCAN\_Setup, at half the maximum rate permitted by your data acquisition hardware.

# AI\_Setup

---

## Format

**status = AI\_Setup (deviceNumber, chan, gain)**

## Purpose

Selects an analog input channel and gain setting for externally pulsed conversion operations.

## Parameters

### Input

Name	Type	Description
<b>deviceNumber</b>	i16	assigned by configuration utility
<b>chan</b>	i16	analog input channel number
<b>gain</b>	i16	gain setting to be used

## Parameter Discussion

**chan** is the analog input channel number. If you are using SCXI, you must use the appropriate analog input channel on the DAQ device that corresponds to the SCXI channel you want. To select the SCXI channel, use `SCXI_Single_Chan_Setup` before calling this function. Refer to Chapter 12, *SCXI Hardware*, in the *DAQ Hardware Overview Guide* and the *NI-DAQ User Manual for PC Compatibles* for more information on SCXI channel assignments.

Range: See Table B-1 in Appendix B, *Analog Input Channel, Gain Settings, and Voltage Calculation*.

**gain** is the gain setting to be used for the specified channel. **gain** applies only to the DAQ device; if you are using SCXI, establish any gain you want on the SCXI module by setting jumpers on the module (if any) or by calling `SCXI_Set_Gain`. Refer to Appendix B, *Analog Input Channel, Gain Settings, and Voltage Calculation*, for valid gain settings. If you use an invalid gain, NI-DAQ returns an error. If you call `AI_Setup` for the 516 and LPM devices or DAQCard-500/700, NI-DAQ ignores the gain.



**Note** *NI-DAQ does not distinguish between the low-gain and high-gain versions of the AT-MIO-16. If you enter a gain of 10 and you have a device with gains of 1, 2, 4, and 8, NI-DAQ uses a gain of 2 and returns no error.*



## Using This Function

AI\_Setup addresses the specified analog input channel and changes the input gain to the specified gain setting. AI\_Setup, in conjunction with AI\_Check and AI\_Clear, is used for externally timed A/D conversions. If your application calls AI\_Read with channel and gain parameters different from those used in the last AI\_Setup call, you must call AI\_Setup again for AI\_Check to return data from the channel you want at the selected gain.



**Note**

*This function cannot be used if you have an SC-2040 connected to your DAQ device.*

## AI\_VRead

---

### Format

status = AI\_VRead (deviceNumber, chan, gain, voltage)

### Purpose

Reads an analog input channel (initiates an A/D conversion on an analog input channel) and returns the result scaled to a voltage in units of volts.

### Parameters

#### Input

Name	Type	Description
deviceNumber	i16	assigned by configuration utility
chan	i16	analog input channel number
gain	i16	gain setting to be used for the specified channel

#### Output

Name	Type	Description
voltage	f64	the measured voltage returned, scaled to units of volts

### Parameter Discussion

**chan** is the analog input channel number.

Range: See Table B-1 in Appendix B, *Analog Input Channel, Gain Settings, and Voltage Calculation*.

**gain** is the gain setting to be used for the specified channel. Refer to Appendix B, *Analog Input Channel, Gain Settings, and Voltage Calculation*, for valid gain settings. If you use an invalid gain, NI-DAQ returns an error. If you call AI\_VRead for the 516 and LPM devices or DAQCard-500/700, NI-DAQ ignores the gain.



**Note** *NI-DAQ does not distinguish between the low-gain and high-gain versions of the AT-MIO-16. If you enter a gain of 10 and you have a device with gains of 1, 2, 4, and 8, NI-DAQ uses a gain of 2 and returns no error.*

**voltage** is the floating-point variable in which NI-DAQ returns the measured voltage, scaled to units of volts.



**Note** *C Programmers*—**voltage is a pass-by-reference parameter.**

## Using This Function

AI\_VRead addresses the specified analog input channel, changes the input gain to the specified gain setting, and initiates an A/D conversion. AI\_VRead waits for the conversion to complete and then scales and returns the result. If the conversion does not complete within a reasonable time, the call to AI\_VRead is said to have *timed out* and NI-DAQ returns the **timeOutError** code.

When you use SCXI as a front end for analog input to an MIO or AI device, Lab-PC+, Lab-PC-1200, Lab-PC-1200AI, PCI-1200, LPM device, or DAQCard-700, it is not advisable to use the AI\_VRead function because that function does not take into account the gain of the SCXI module when scaling the data. Use the AI\_Read function to get unscaled data, and then call the SCXI\_Scale function.

When you have an SC-2040 accessory connected to an E Series device, this function takes both the onboard gains and the gains on SC-2040 into account while scaling the data. When you have an SC-2043-SG accessory connected to your DAQ device, this function takes both the onboard gains and the SC-2043-SG fixed gain of 10 into account while scaling the data.

When you have any SCC accessories connected to an E Series device, this function takes both the onboard gains and the SCC gains into account while scaling the data.

## AI\_VRead\_Scan

---

### Format

**status** = AI\_VRead\_Scan (**deviceNumber**, **reading**)

### Purpose

Returns readings in volts for all analog input channels selected by SCAN\_Setup (E Series devices only with or without the SC-2040 accessory).

### Parameters

#### Input

Name	Type	Description
<b>deviceNumber</b>	i16	assigned by configuration utility

#### Output

Name	Type	Description
<b>reading</b>	[f64]	voltage readings from each sampled analog input channel

### Parameter Discussion

**reading** is an array of readings from each sampled analog input channel. The length of the **reading** array is equal to the number of channels selected in the SCAN\_Setup **numChans** parameter. NI-DAQ uses values you have specified in SCAN\_Setup through the **gains** parameter for computing voltages. If you have attached an SC-2040 or SC-2043-SG to your DAQ device, NI-DAQ also uses values you have specified in SC\_2040\_Config (through the **sc2040gain** parameter) or Set\_DAQ\_Device\_Info (a fixed gain of 10) for computing voltages.

If you have SCC modules connected, NI-DAQ also uses the SCC module gain for computing voltages.

### Using This Function

AI\_VRead\_Scan samples the analog input channels selected by SCAN\_Setup, at half the maximum rate your DAQ hardware permits. You must use the SCAN\_Setup function prior to invoking this function.

You cannot use external signals to control A/D conversion timing and use this function at the same time.

## AI\_VScale

---

### Format

**status = AI\_VScale (deviceNumber, chan, gain, gainAdjust, offset, reading, voltage)**

### Purpose

Converts the binary result from an `AI_Read` call to the actual input voltage.

### Parameters

#### Input

Name	Type	Description
<b>deviceNumber</b>	i16	assigned by configuration utility
<b>chan</b>	i16	channel on which binary reading was taken
<b>gain</b>	i16	gain setting used to take the reading
<b>gainAdjust</b>	f64	multiplying factor to adjust gain
<b>offset</b>	f64	binary offset present in reading
<b>reading</b>	i16	result of the A/D conversion

#### Output

Name	Type	Description
<b>voltage</b>	f64	computed floating-point voltage

### Parameter Discussion

**chan** is the onboard channel or AMUX channel on which NI-DAQ took the binary reading using `AI_Read`. For devices other than the AT-MIO-16X, AT-MIO-64F-5, and E Series devices, this parameter is ignored because the scaling calculation is the same for all of the channels. However, you are encouraged to pass the correct channel number.

**gain** is the gain setting that you used to take the analog input reading. If you used SCXI to take the reading, this gain parameter should be the product of the gain on the SCXI module channel and the gain that the DAQ device used. Refer to Appendix B, *Analog Input Channel, Gain Settings, and Voltage Calculation*, for valid gain settings. Use of invalid gain settings causes NI-DAQ to return an error unless you are using SCXI. If you call `AI_VScale` for the 516 and LPM devices or DAQCard-500/700, NI-DAQ ignores the gain unless you are using SCXI.

**gainAdjust** is the multiplying factor to adjust the gain. Refer to Appendix B, *Analog Input Channel, Gain Settings, and Voltage Calculation*, for the procedure for determining **gainAdjust**. If you do not want to do any gain adjustment—for example, use the ideal gain as specified by the **gain** parameter—set **gainAdjust** to 1.

**offset** is the binary offset that needs to be subtracted from the **reading**. Refer to Appendix B, *Analog Input Channel, Gain Settings, and Voltage Calculation*, for the procedure for determining offset. If you do not want to do any offset compensation, set **offset** to 0.

**reading** is the result of the A/D conversion returned by `AI_Read`.

**voltage** is the variable in which NI-DAQ returns the input voltage converted from **reading**.



**Note** *C Programmers—voltage is a pass-by-reference parameter.*

## Using This Function

Refer to Appendix B, *Analog Input Channel, Gain Settings, and Voltage Calculation*, for the formula `AI_VScale` uses to calculate **voltage** from **reading**.

If your device polarity and range settings differ from the default settings shown in the `Init_DA_Brds` function, be sure to call `AI_Configure` to inform the driver of the correct polarity and range before using this function.

## Align\_DMA\_Buffer

---

### Format

**status = Align\_DMA\_Buffer (deviceNumber, resource, buffer, count, bufferSize, alignIndex)**

### Purpose

Aligns the data in a DMA buffer to avoid crossing a physical page boundary. This function is for use with DMA waveform generation and digital I/O pattern generation (AT-MIO-16F-5 and AT-DIO-32F only).

### Parameters

#### Input

Name	Type	Description
<b>deviceNumber</b>	i16	assigned by configuration utility
<b>resource</b>	i16	represents the DAC channel or the digital input or output group
<b>buffer</b>	[i16]	integer array of samples to be used
<b>count</b>	u32	number of data samples
<b>bufferSize</b>	u32	actual size of <b>buffer</b>

#### Output

Name	Type	Description
<b>alignIndex</b>	u32	offset into the array of the first data sample

### Parameter Discussion

**resource** represents the DAC channel (for waveform generation) or the digital input or output group (for pattern generation) for which NI-DAQ uses the buffer.

- 0: DAC channel 0.
- 1: DAC channel 1.
- 2: DAC channels 0 and 1.
- 11: DIG group 1 (group size of 2).
- 12: DIG group 2 (group size of 2).
- 13: DIG group 1 (group size of 4).

**buffer** is the integer array of samples NI-DAQ uses in the waveform or pattern generation. The actual size of **buffer** should be larger than the number of samples to make room for possible alignment. If the actual size of the buffer is not big enough for alignment, the function returns a **memAlignmentError**. For Windows applications running in real or standard mode, a **bufferSize** of  $2 * \text{count}$  guarantees that there is enough room for alignment.

**count** is the number of data samples contained in **buffer**.

Range: 3 through  $2^{32} - 1$ .

**bufferSize** is the actual size of **buffer**.

Range: **count** through  $2^{32} - 1$ .

**alignIndex** is the variable in which NI-DAQ returns the offset into the array of the first data sample. If NI-DAQ did not have to align the buffer, NI-DAQ returns **alignIndex** as 0, indicating that the data is still located at the beginning of the buffer. If NI-DAQ aligned the buffer to avoid a page boundary, **alignIndex** is a value other than 0, and the first data sample is located at **buffer[alignIndex]** (if your array is zero based). If you use digital input with an aligned buffer, NI-DAQ stores the data in the buffer beginning at **alignIndex**.



**Note** *C Programmers—alignIndex is a pass-by-reference parameter.*

## Using This Function

Use `Align_DMA_Buffer` to avoid the negative effects of page boundaries in the data buffer on AT bus machines for the following cases:

- DMA waveform generation at close to maximum speed
- Digital I/O pattern generation at close to maximum speed
- Interleaved DMA waveform generation at any speed
- 32-bit digital I/O pattern generation at any speed

The possibility of a page boundary occurring in the data buffer increases with the size of the buffer. When a page boundary occurs in the data buffer, NI-DAQ must reprogram the DMA controller before NI-DAQ can transfer the next data sample. The extra time needed to do the reprogramming increases the minimum update interval (thus decreasing the maximum update rate).

A page boundary in an interleaved DMA waveform buffer or a buffer that is to be used for 32-bit digital pattern generation can cause unpredictable results, regardless of your operating speed. To avoid this problem, you should *always* use `Align_DMA_Buffer` with interleaved DMA waveform generation (indicated by **resource** = 2) and 32-bit digital pattern generation (indicated by **resource** = 13). In these two cases, `Align_DMA_Buffer` first attempts to align the buffer so that the data completely avoids a page boundary. If **bufferSize** is not big enough for complete alignment, the function attempts to partially align the data to ensure that a page boundary does not cause unpredictable results. Partial alignment is possible if



**bufferSize**  $\geq$  **count** + 1. If neither form of alignment is possible, the function returns an error. If `Align_DMA_Buffer` partially aligned the data, the function returns a **memPageError** warning indicating that a page boundary is still in the data.



**Note** *Physical DMA page boundaries do not exist on EISA bus computers. However, page boundaries can be introduced on these computers as a side effect of Windows 386 Enhanced mode and the Windows NT virtual memory management system. This happens when a buffer is locked into physical memory in preparation for a DAQ operation. If the memory manager cannot find a contiguous space large enough, it fragments the buffer, placing pieces of it here and there in physical memory. This type of page boundary only affects the performance on an AT bus computer. NI-DAQ uses the DMA chaining feature available on EISA computers to chain across page boundaries, thus avoiding the delay involved in DMA programming.*

Call `Align_DMA_Buffer` *after* your application has loaded **buffer** with the data samples (for waveform generation or digital output) and *before* calling `WFM_Op`, `WFM_Load`, `DIG_Block_In`, or `DIG_Block_Out`. You should pass the aligned buffer to the waveform generation and pattern generation functions the *same* way you would an unaligned buffer. The **count** parameter in the waveform generation or pattern generation function call should be the same as the **count** parameter passed to `Align_DMA_Buffer`, not **bufferSize**.

If you want to access the data in **buffer** after calling `Align_DMA_Buffer`, access the data starting at **buffer[alignIndex]** (if your array is zero based).

After using an aligned buffer for waveform generation or pattern generation, NI-DAQ *unaligns* the data. After the buffer has been unaligned, the first data sample is at offset zero of the buffer again. If you want to use the buffer for waveform generation or pattern generation again after it has been unaligned, you must make another call to

`Align_DMA_Buffer` before calling `WFM_Op`, `WFM_Load`, `DIG_Block_In`, or `DIG_Block_Out`.

See *Waveform Generation Application Hints* and *Digital I/O Application Hints* in Chapter 3, *Software Overview*, of the *NI-DAQ User Manual for PC Compatibles* for more information on the use of `Align_DMA_Buffer`. See Chapter 4, *DMA and Programmed I/O Performance Limitations*, of the *NI-DAQ User Manual for PC Compatibles* for a discussion of DMA page boundaries and special run-time considerations.

# AO\_Calibrate

---

## Format

**status = AO\_Calibrate (deviceNumber, operation, EEPROMloc)**

## Purpose

Loads a set of calibration constants into the calibration DACs or copies a set of calibration constants from one of four EEPROM areas to EEPROM area 1. You can load an existing set of calibration constants into the calibration DACs from a storage area in the onboard EEPROM. You can copy EEPROM storage areas 2 through 5 (EEPROM area 5 contains the factory calibration constants) to storage area 1. NI-DAQ automatically loads the calibration constants stored in EEPROM area 1 the first time a function pertaining to the AT-AO-6/10 is called.



**Note** *Use the calibration utility provided with the AT-AO-6/10 to perform a calibration procedure. Refer to the calibration chapter in the AT-AO-6/10 User Manual for more information regarding the calibration procedure.*

## Parameters

### Input

Name	Type	Description
<b>deviceNumber</b>	i16	assigned by configuration utility
<b>operation</b>	i16	operation to be performed
<b>EEPROMloc</b>	i16	storage location in the onboard EEPROM

## Parameter Discussion

**operation** determines the operation to be performed.

- 1: Load calibration constants from **EEPROMloc**.
- 2: Copy calibration constants from **EEPROMloc** to EEPROM user calibration area 1.

**EEPROMloc** selects the storage location in the onboard EEPROM to be used. You can use different sets of calibration constants to compensate for configuration or environmental changes.

- 1: User calibration area 1.
- 2: User calibration area 2.
- 3: User calibration area 3.
- 4: User calibration area 4.
- 5: Factory calibration area.

## Using This Function

When NI-DAQ initializes the AT-AO-6/10, the DAC calibration constants stored in **EEPROMloc 1** (user calibration area 1) provide the gain and offset values used to ensure proper device operation. In other words, `Init_DA_Brds` performs the equivalent of calling `AO_Calibrate` with operation set to 1 and **EEPROMloc** set to 1. When the AT-AO-6/10 leaves the factory, **EEPROMloc 1** contains a copy of the calibration constants stored in **EEPROMloc 5**, the factory area.

A calibration procedure performed in bipolar mode is not valid for unipolar and vice versa. See the calibration chapter of the *AT-AO-6/10 User Manual* for more information regarding calibrating the device.

## AO\_Change\_Parameter

---

### Format

**status = AO\_Change\_Parameter (deviceNumber, channel, paramID, paramValue)**

### Purpose

Selects a specific parameter setting for the analog output section of the device or an analog output channel. You can select parameters related to analog output not listed here through the AO\_Configure function.

### Parameters

#### Input

Name	Type	Description
<b>deviceNumber</b>	i16	assigned by configuration utility
<b>channel</b>	i16	number of channel you want to configure; you can use -1 to indicate all channels
<b>paramID</b>	u32	identification of the parameter you want to change
<b>paramValue</b>	u32	new value for the parameter specified by <b>paramID</b>

### Parameter Discussion

Legal ranges for **paramID** and **paramValue** are given in terms of constants defined in a header file. The header file you should use depends on the language you are using:

- C programmers—NIDAQCNS.H (DATAACQ.H for LabWindows/CVI)
- BASIC programmers—NIDAQCNS.INC (Visual Basic for Windows programmers should refer to the *Programming Language Considerations* in Chapter 1, *Using the NI-DAQ Functions*, for more information.)
- Pascal programmers—NIDAQCNS.PAS

Legal values for **channel** depend on the type of device you are using; analog output channels are labeled 0 through  $n-1$ , where  $n$  is the number of analog output channels on your device. You can set **channel** to -1 to indicate that you want the same parameter selection for all channels. You must set **channel** to -1 to change a parameter you cannot change on per channel basis.

Legal values for **paramValue** depend on **paramID**. The following paragraphs list features you can configure along with legal values for **paramID** with explanations and corresponding legal values for **paramValue**.

## Reglitching

Every time you change the state of your DAC, a very small glitch is generated in the signal generated by the DAC. When reglitching is turned off, glitch size depends on the binary patterns that are written into the DAC; the glitch is largest when the most significant bit in the pattern changes (when the waveform crosses the midrange of the DAC); it is smaller in other cases. When reglitching is turned on, the glitch size is much less dependent on the bit pattern.

To change the reglitching parameter, set **paramID** to `ND_REGLITCH`.

If you are not concerned about this, you are likely to be satisfied by the default values NI-DAQ selects for you if you do not call this function. The following table lists devices on which you can change this parameter.

**Table 2-3.** Reglitching Parameters for Permissible Devices

Device Type	Per Channel Selection Possible	Legal Range for paramValue	Default Setting for paramValue
AT-MIO-16X	No	ND_OFF and ND_ON	ND_ON
AT-MIO-16E-1 AT-MIO-16E-2 AT-MIO-64E-3 NEC-MIO-16E-4 PCI-MIO-16E-1 VXI-MIO-64E-1 VXI-MIO-64XE-10	Yes	ND_OFF and ND_ON	ND_OFF
<b>Caution:</b> If you turn off reglitching on the AT-MIO-16X, timing problems that NI-DAQ cannot detect might occur.			

## Voltage or Current Output

Some devices require separate calibration constants for voltage and current outputs. Setting the output type to voltage or current for these devices causes the driver to use the correct calibration constants and to interpret the input data correctly in `AO_VWrite`. To change the output type, set **paramID** to `ND_OUTPUT_TYPE`.

**Table 2-4.** Voltage or Current Output Parameters

Device Type	Per Channel Selection Possible	Legal Range for paramValue	Default Setting for paramValue
PC-AO-2DC DAQCard-AO-2DC VXI-AO-48XDC	Yes	ND_CURRENT_OUTPUT and ND_VOLTAGE_OUTPUT	ND_VOLTAGE_OUTPUT

For the VXI-AO-48XDC device the **paramID** of ND\_OUTPUT\_TYPE is used in conjunction with the channel value to select the analog output channel to be affected. To select a voltage channel, set the **paramValue** to ND\_VOLTAGE. To select a current channel, set the **paramValue** to ND\_CURRENT.

## FIFO Transfer Condition

You can specify the condition that causes more data to be transferred from the waveform buffer into the analog output FIFO. NI-DAQ selects a default setting for you, in order to achieve maximum performance. However, by changing this setting, you can force the FIFO to remain as full as possible, or effectively disable, or reduce the size of the FIFO.

For example, to reduce the FIFO lag effect (the amount of time it takes data to come out of the FIFO after being transferred into the FIFO), you can change the FIFO transfer condition to FIFO empty. Notice that reducing the effective FIFO size can also reduce the maximum sustainable update rate.

To change the FIFO transfer condition, set **paramID** to ND\_DATA\_TRANSFER\_CONDITION, and set **paramValue** to one of the values shown in Table 2-5:

**Table 2-5.** Parameter Values for FIFO Transfer Conditions

Transfer Condition	NI-DAQ Constant
FIFO not full	ND_FIFO_NOT_FULL
FIFO half-full or less	ND_FIFO_HALF_FULL_OR_LESS
FIFO empty	ND_FIFO_EMPTY
FIFO half-full or less until full (DMA only)	ND_FIFO_HALF_FULL_OR_LESS_UNTIL_FULL

Set **channel** to one of the channel numbers in your waveform group. For example, if you have configured group 1 to contain channels 0 and 1, you can set **channel** to 0 or 1.



**Note** *This option is valid only for PCI E Series devices.*

When using PCIe Series devices with DMA (default data transfer condition), the device has an effective FIFO size 32 samples larger than the FIFO size specified for the board. This is due to a 32-sample FIFO on the miniMITE, the onboard DMA controller used for DMA transfers.

## FIFO Transfer Count

The FIFO transfer count specifies the number of samples to be transferred from the waveform buffer into the analog output FIFO when FIFO requests are generated. This option is for use in conjunction with the FIFO transfer condition, as described above.

`AO_Change_Parameter` should be called once to set the FIFO transfer condition, and can optionally be called again to specify the FIFO transfer count. If you do not specify the FIFO transfer count, NI-DAQ chooses an appropriate value for you.

The value of FIFO transfer count is used during interrupt-driven waveform generation but is ignored during DMA-driven waveform generation. When you use DMA, DMA requests are generated as long as the transfer condition is true.

Table 2-6 contains the default values that are used if you do not specify FIFO transfer count, in addition to the valid values that can be set.

**Table 2-6.** Default Values for FIFO Transfer Condition

Transfer Condition	Default Transfer Count	Valid Input Values
FIFO not full	1	1
FIFO half-full or less	half-FIFO size	1—half-FIFO size
FIFO empty	1	1—FIFO size
FIFO half-full or less until full (DMA only)	FIFO transfer count cannot be specified for this transfer condition	N/A

For example, if you choose the **FIFO empty** transfer condition and set the transfer count to 10, each time the board is interrupted with a FIFO empty interrupt, NI-DAQ transfers 10 samples from the user buffer into the analog output FIFO. Although this does not improve the maximum sustainable update rate, it reduces the number of interrupts, and reduces the FIFO lag effect to a maximum of 10 samples.

If you choose the **FIFO half full or less** transfer condition and set the transfer count to 100 on a board with a 2048-sample FIFO, the FIFO fills with a maximum of 1124 samples (half the FIFO plus 100 samples). Each time the number of samples in the FIFO falls to less than 1024, another interrupt is generated, at which time 100 samples are transferred from the waveform buffer to the FIFO.

To change the FIFO transfer count, set **paramID** to `ND_FIFO_TRANSFER_COUNT` and use **paramValue** to pass in a 32-bit integer.

Set **channel** to one of the channel numbers in your waveform group. For example, if you have configured group 1 to contain channels 0 and 1, you can set **channel** to 0 or 1.



**Note** *This option is valid only for PCI E Series devices.*

## Ground DAC Reference

You can ground the reference that the analog output channels use, which causes the output voltage to remain at 0 V, regardless of the value you write to the channel.

To change the grounding of the DAC Reference, set **paramID** to `ND_GROUND_DAC_REFERENCE`, and set **paramValue** to either `ND_YES`, or `ND_NO`. The effect is immediate. Also, grounding the DAC reference on one channel has the effect of grounding it for both channels, so you can specify either 0 or 1 for channel number.



**Note** *This option is valid only for PCI E Series devices.*

## Analog Filter

Some devices have a lowpass analog filter after the DAC. You can switch this filter ON or OFF. By switching this filter OFF, the analog lowpass filter stage is bypassed. To change the digital filter setting, set **paramID** to `ND_ANALOG_FILTER`.

**Table 2-7.** Parameter Setting Information for the Analog Filter

Device Type	Per Channel Selection Possible	Legal Range for paramValue	Default Setting for paramValue
DAQArb AT-5411 DAQArb PCI-5411	Yes	ND_ON and ND_OFF	ND_ON

## Digital Filter

Some devices have a lowpass digital filter before the DAC. You can switch this filter ON or OFF. By switching this filter OFF, the digital lowpass filter stage is bypassed.

To change the digital filter setting, set **paramID** to `ND_DIGITAL_FILTER`.

**Table 2-8.** Parameter Setting Information for the Digital Filter

Device Type	Per Channel Selection Possible	Legal Range for paramValue	Default Setting for paramValue
DAQArb AT-5411 DAQArb PCI-5411	Yes	ND_ON and ND_OFF	ND_ON



## Output Enable

On some of the devices, you can disable the output even when the waveform generation is in progress. You can use this feature to bring the output to a known level at any time.

On DAQArb 5411 devices, there is a relay just in front of the I/O connector. By disabling the output, this relay switches so that the I/O connector output shorts to ground. The waveform generation can still continue, but no signal appears at the I/O connector output. You can enable or disable the output at any time.

To change the output enable setting, set **paramID** to ND\_OUTPUT\_ENABLE.

**Table 2-9.** Parameter Setting Information for Output Enable

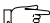
Device Type	Per Channel Selection Possible	Legal Range for paramValue	Default Setting for paramValue
DAQArb AT-5411 DAQArb PCI-5411 4451 devices 4551 devices	Yes	ND_YES and ND_NO	ND_NO

## Output Impedance

On some of the devices, you can select the output impedance to match the impedance of the load.

Output impedance of 50  $\Omega$  is good for testing most of the devices. You can use output impedance of 75  $\Omega$  for video testing. If you select an output impedance of 0  $\Omega$ , you should be driving an unterminated load (that is, a load with a very high input impedance).

To change the output impedance setting, set **paramID** to ND\_IMPEDANCE.

 **Note** *The values are set up in milliOhms (m $\Omega$ ).*

**Table 2-10.** Parameter Setting Information for Output Impedance

Device Type	Per Channel Selection Possible	Legal Range for paramValue	Default Setting for paramValue
DAQArb AT-5411 DAQArb PCI-5411	Yes	0, 50,000, and 75,000	50,000

## Output Attenuation

Some devices have attenuators after the final amplifier stage. By attenuating the output signal, you do not lose any dynamic range of the signal; that is, you do not lose any bits from the digital representation of the signal, because the attenuation is done after the DAC and not before it.

$$\text{Attenuation (in mdB)} = - [20 \log_{10} (V_o/V_i)] * 1000$$

$V_o$  = The voltage level that you want for the output signal.

$V_i$  = The input voltage level.

For DAQArb5411 devices,  $V_i$  = -5 to +5 V for terminated load and -10 to +10 V for unterminated load. For example, to change the output levels to -2.5 to +2.5 V into a terminated load, then:

$$\text{Attenuation} = -[20 * \log_{10}(2.5/5)] * 1000 = 6020 \text{ mdB}$$

The 4451 and 4551 devices have three levels of attenuation providing voltage ranges of -10 to +10 V, -1 to +1 V, and -100 to +100 mV.

To change the output attenuation setting set **paramID** to ND\_ATTENUATION. You can change the attenuation at any time.



**Note** *The values are set up in millidecibels.*

**Table 2-11.** Parameter Setting Information for Output Attenuation

Device Type	Per Channel Selection Possible	Legal Range for paramValue	Default Setting for paramValue
DAQArb AT-5411 DAQArb PCI-5411	Yes	0 through 74,000	0
4451 and 4551 devices	Yes	0, 20,000, 40,000	0

## Frequency Correction for the Analog Filter

Some devices have an analog lowpass filter in their output stage. To correct for the abnormalities of this filter at a particular frequency, set **paramID** to ND\_FILTER\_CORRECTION\_FREQ. You can set the **paramValue** to 0 to disable the frequency correction for the analog filter. If you have disabled the analog filter, you also must disable the frequency correction.

**Table 2-12.** Parameter Setting Information for Frequency Correction for the Analog Filter

Device Type	Per Channel Selection Possible	Legal Range for paramValue	Default Setting for paramValue
DAQArb AT-5411 DAQArb PCI-5411	Yes	0 through 16,000,000	0

## Trigger Mode

Some devices can generate the waveforms stored in the memory on board in different ways by setting the trigger mode parameter.

The following trigger modes are possible on the DAQArb 5411 devices:

- Single** The waveform described by the user in the sequence list<sup>1</sup> is generated once by going through all the sequence list. Only a start trigger is required.
- Continuous** The waveform described by the user in the sequence list is generated infinitely by recycling through all of the sequence list. Only the start trigger is required.
- Stepped** After the start trigger, the waveform described by the first sequence entry is generated. It then waits for another trigger. At the time of triggering, the waveform described by the second sequence entry is generated, and so on. When all of the sequence list is exhausted, it returns to the first sequence entry.
- Burst** After the start trigger has been implemented, the waveform described by the first sequence entry is generated until another trigger is implemented. At the time of triggering, the earlier waveform is completed before the waveform described by the second sequence entry is generated and so on. When all of the sequence list is exhausted, it returns to the first sequence entry.

To change the trigger mode setting, set **paramID** to ND\_TRIGGER\_MODE.

<sup>1</sup> A sequence list is used in staging-based waveform generation for linking, looping, and generating multiple waveforms stored on the onboard memory. The sequence list has a list of entries. Each entry is called a stage. Each stage specifies which waveform to generate and the other associated settings for that waveform (for example, the number of loops). For more details on staging-based waveform generation, refer to WFM\_Load in this manual. For more details on triggering and trigger sources, refer to your *DAQArb 5411 User Manual*.

**Table 2-13.** Parameter Setting Information for the Trigger Mode

Device Type	Per Channel Selection Possible	Legal Range for paramValue	Default Setting for paramValue
DAQArb AT-5411 DAQArb PCI-5411	Yes	ND_SINGLE ND_CONTINUOUS ND_BURST ND_STEPPED	ND_CONTINUOUS

## PLL Reference Frequency

On some of the devices, you can phase-lock the internal timebase to an external reference clock. The internal timebase can be an integral multiple of the external reference clock. This feature is useful because you can synchronize the timebases of multiple devices so that they are all locked to each other.

On DAQArb 5411 devices, you can phase-lock the internal timebase to a non-National Instruments device using the I/O connector or to a National Instruments device using the RTSI connector. You can select the reference clock source by using the `Select_Signal` function call. If the PLL reference clock source is the RTSI clock, set the reference clock frequency to 20 MHz.

To change the PLL reference frequency, set **paramID** to `ND_PLL_REF_FREQ`.



**Note** *The values are set up in Hertz (Hz).*

**Table 2-14.** Parameter Setting Information for PLL Reference Frequency

Device Type	Per Channel Selection Possible	Legal Range for paramValue	Default Setting for paramValue
DAQArb AT-5411 DAQArb PCI-5411	Yes	1,000,000, 10,000,000, 20,000,000	1,000,000

## SYNC Duty Cycle

The SYNC output is a TTL version of the sine waveform being generated at the output. It is obtained by using a zero-crossing detector on the sine output. It is generated on a separate output connector instead of the main analog output connector. The SYNC output might not carry any meaning for any other types of waveforms being generated.

You can vary the duty cycle of TTL output on the fly. To change the SYNC duty cycle as the percentage of the time high, set **paramID** to `ND_SYNC_DUTY_CYCLE_HIGH`. The **paramValue** parameters imply percentage (%). To disable the SYNC output, set the

**paramValue** to 0 or 100. By setting it to 0, the SYNC output goes to 0 V. If you set it to 100, it goes to +5 V.

**Table 2-15.** Parameter Setting Information for the SYNC Duty Cycle

Device Type	Per Channel Selection Possible	Legal Range for paramValue	Default Setting for paramValue
DAQArb AT-5411 DAQArb PCI-5411	Yes	20 to 80	50

## Using This Function

Use this function to customize the behavior of the analog output section of your device. Call this function before calling NI-DAQ functions that cause output on the analog output channels. You can call this function as often as needed.

## End of Buffer Interrupts

On PCI E Series boards that use the PCI-MITE for DMA transfers, NI-DAQ causes the PCI-MITE to generate an interrupt after a full buffer has been transferred from host memory to the DAQ device. With one-shot operations, where the buffer is only output once, or even during continuous operations where the buffer is very large, these interrupts place very little burden on the system. However, when outputting a large number of iterations with small buffers or at high speeds, these interrupts can affect overall system performance.

These interrupts are generated so that NI-DAQ will read the state of the DMA controller and track the number of iterations and the number of points transferred since the beginning of the operation. The PCI-MITE has a 32-bit counter that counts bytes transferred. The only drawback in turning off these interrupts is that NI-DAQ might not have a chance to detect an overflow of the counter. For example, when generating a waveform on one channel at 1 M samples/s, the counter will overflow in 36 minutes. If you disable end-of-buffer interrupts and do not query NI-DAQ for status information before the counter overflows, NI-DAQ will not be able to take the overflow into account, and the status information returned could be incorrect.

To enable/disable end of buffer interrupts, set **paramID** to `ND_LINK_COMPLETE_INTERRUPTS` and set **paramValue** to either `ND_ON` or `ND_OFF`. You may specify any channel in the waveform group, and the setting will apply to all channels in the group.



**Note** *This option is valid only for PCI/CPCI/PXI E Series devices.*

## Memory Transfer Width

When doing waveform generation on PCI E Series boards that use the PCI-MITE for DMA transfers, NI-DAQ transfers data from host memory to the DAQ device 16 bits at a time. This allows for the finest level of control and is necessary to properly support features like old data stop and partial transfer stop (see the NI-DAQ function `WFM_DB_Config`).

It is also possible to transfer data from host memory to the DAQ device 32 bits at a time, which requires fewer PCI bus cycles so that the DAQ device functions more effectively with the PCI bus. The only drawback is that when using old data stop and partial transfer stop, the waveform may stop one sample earlier than you would otherwise expect.

To set the memory transfer width, set **paramID** to `ND_MEMORY_TRANSFER_WIDTH` and set `paramValue` to either 16 or 32. You may specify any channel in the waveform group, and the setting will apply to all channels in the group.

**Note**

*This option is valid only for PCI/CPCI/PXI E Series devices. For 61XX devices, only even-sized buffers are allowed, and the memory transfer width is always 32 bits.*

## AO\_Configure

---

### Format

**status = AO\_Configure (deviceNumber, chan, outputPolarity, intOrExtRef, refVoltage, updateMode)**

### Purpose

Informs NI-DAQ of the output range and polarity selected for each analog output channel on the device and indicates the update mode of the DACs. If you have recorded an analog output configuration that is not a default through the NI-DAQ Configuration Utility, you do not need to use AO\_Configure because NI-DAQ uses the settings recorded by the NI-DAQ Configuration Utility. If you have a software-configurable device, you can use AO\_Configure to change the analog output configuration on the fly.



**Caution** *For the AT-AO-6/10, NI-DAQ records the configuration information for output polarity and update mode in channel pairs. A call to AO\_Configure records the same output polarity and update mode selections for both channels in a pair.*

### Parameters

#### Input

Name	Type	Description
<b>deviceNumber</b>	i16	assigned by configuration utility
<b>chan</b>	i16	analog output channel number
<b>outputPolarity</b>	i16	unipolar or bipolar
<b>intOrExtRef</b>	i16	reference source
<b>refVoltage</b>	f64	voltage reference value
<b>updateMode</b>	i16	when to update the DACs

### Parameter Discussion

**chan** is the analog output channel number.

Range: 0 or 1 for the AO-2DC, Lab and 1200 Series analog output devices, and MIO devices.

0 through 5 for the AT-AO-6.

0 through 9 for the AT-AO-10.

0 through 47 for the VXI-AO-48XDC.

0 for DAQArb 5411 devices.

**outputPolarity** indicates whether the analog output channel is configured for unipolar or bipolar operation.

For the AT-AO-6/10 and MIO devices (except the MIO-16XE-50 devices):

- 0: Bipolar operation (default setting, output range is from **-refVoltage** to **+refVoltage**).
- 1: Unipolar operation (output range is from 0 to **+refVoltage**).

For the Lab and 1200 Series analog output devices:

- 0: Bipolar operation (default setting, output range is from -5 to +5 V).
- 1: Unipolar operation (output range is from 0 to +10 V).

For the MIO-16XE-50 devices:

- 0: Bipolar operation (output range is from 0 from -10 to +10 V).

For the AO-2DC devices:

- 0: Bipolar operation (output range is from -5 to +5 V).
- 1: Unipolar operation (default setting, output range is from 0 to +10 V or 0 to 20 mA).

For the VXI-AO-48XDC:

- 0: Bipolar operation (voltage only; output range is from -10.24 to +10.24 V).
- 1: Unipolar operation (current only; output range is from 0 to 20.47 mA).

For the DAQArb 5411 devices:

- 0: Bipolar operation (output range is -5 to +5 V for a 50  $\Omega$  terminated load and -10 to +10 V for an unterminated load—that is, a load with a very high impedance).

**intOrExtRef** indicates the source of voltage reference.

- 0: Internal reference.
- 1: External reference.

The MIO devices, except the 16-bit E Series devices, and AT-AO-6/10 devices support external analog output voltage references.

For DAQArb 5411 devices, only internal reference is supported.

**refVoltage** is the analog output channel voltage reference value. You can configure each channel to use an internal reference of +10 V (the default) or an external reference. Although each pair of channels is served by a single external reference connection, the configuration of the external reference operates on a per channel basis. Therefore, it is possible to have one channel in a pair internally referenced and the other channel in the same pair externally referenced.

Range: -10 to +10 V.



If you make a reference voltage connection, you must assign **refVoltage** the value of the external reference voltage in a call to `AO_Configure` for the `AO_VWrite` and `AO_VScale` functions to operate properly. For devices that have no external reference pin, the output range is determined by **outputPolarity**, and NI-DAQ ignores this parameter.

**updateMode** indicates whether an analog output channel is updated when written to:

- 0: Updated when written to (default setting).
- 1: Not updated when written to, but updated later after a call to `AO_Update` (later internal update mode).
- 2: Not updated when written to, but updated later upon application of an active low pulse. You should apply this pulse to the following:
  - OUT2 pin for an MIO-16/16D device
  - EXTDACUPDATE pin for an MIO-F/16 device
  - EXTUPDATE pin for the AT-AO-6/10 and Lab and 1200 Series analog output devices (later external update mode)
  - PFI5 pin for the E Series devices. To alter the pin and polarity selections you make with this function, for an E Series device, you can call `Select_Signal` with **signal** = `ND_OUT_UPDATE` after you call `AO_Configure`.



**Note** *This mode is not valid for the VXI-AO-48XDC.*

## Using This Function

`AO_Configure` stores information about the analog output channel on the specified device in the configuration table for the analog channel. For the AT-AO-6/10, the **outputPolarity** and **updateMode** information is stored for channel pairs. For example, analog output channels 0 and 1 are grouped in a channel pair, and a call to `AO_Configure` for channel 0 records the **outputPolarity** and **updateMode** for both channels 0 and 1. Likewise, a call to `AO_Configure` for channel 1 records the **outputPolarity** and **updateMode** for both channels 0 and 1. The AT-AO-6/10 channel pairs are as follows:

AT-AO-6/10 channel pairs:

- Channels 0 and 1.
- Channels 2 and 3.
- Channels 4 and 5.
- Channels 6 and 7 (AT-AO-10 only).
- Channels 8 and 9 (AT-AO-10 only).

AO\_Configure stores information about the analog output channel on the specified board in the configuration table for the analog channel. The analog output channel configuration table defaults tables default to the following:

- MIO device and AT-AO-6/10:
  - outputPolarity** = 0: Bipolar.
  - refVoltage** = 10 V.
  - updateMode** = 0: Update when written to.
- Lab and 1200 Series analog output devices:
  - outputPolarity** = 0: Bipolar (–5 to +5 V).
  - updateMode** = 0: Updated when written to.
- VXI-AO-48XDC:
  - outputPolarity** = 0; Bipolar (–10.24 to +10.24 V).
  - updateMode** = 0: Updated when written to.

If you configure an output channel for later internal update mode (**updateMode** = 1), you can configure no other output channels for later external update mode (**updateMode** = 2). Likewise, if you configure an output channel for later external update mode, you can configure no other output channels for later internal update mode.

If the physical configuration (the jumpered settings) of the analog output channels on your device differs from the default setting, you must call AO\_Configure with the true configuration information for the remaining analog output functions to operate properly.



**Note** *The AT-AO-6/10 allows you to physically configure each analog output channel (the jumper setting) for bipolar or unipolar operation. To ensure proper operation, configure both channels in a channel pair the same way.*

On the AT-MIO-16X, AT-MIO-64F-5, and E Series devices (except MIO-16XE-50 devices), the calibration constants used for analog output change depending on the polarity of the analog output channels. NI-DAQ always ensures that the calibration constants in use match the current polarity of the channels.

If you change the polarity on the AT-MIO-16X or the AT-MIO-64F-5 by calling AO\_Configure, NI-DAQ checks if the load area contains the appropriate constants. If so, NI-DAQ loads the constants from the load area. Otherwise, NI-DAQ loads the constants from the factory area for the current polarity and return status code **calConstPolarityConflictError**. The actual loading of calibration constants takes place when you call an AO or WFM function. See the Calibrate\_E\_Series function description for information about calibration constant loading on the E Series devices.

To load constants from some other EEPROM area, you must call the MIO\_Calibrate function after calling AO\_Configure.

## AO\_Update

---

### Format

**status = AO\_Update (deviceNumber)**

### Purpose

Updates analog output channels on the specified device to new voltage values when the later internal update mode is enabled by a previous call to AO\_Configure.

### Parameters

#### Input

Name	Type	Description
deviceNumber	i16	slot or device ID number

### Using This Function

AO\_Update issues an update pulse to all analog output channels on the specified device. All analog output channel voltages then simultaneously change to the last value written.

## AO\_VScale

---

### Format

**status = AO\_VScale (deviceNumber, chan, voltage, binVal)**

### Purpose

Scales a voltage to a binary value that, when written to one of the analog output channels, produces the specified voltage.

### Parameters

#### Input

Name	Type	Description
<b>deviceNumber</b>	i16	assigned by configuration utility
<b>chan</b>	i16	analog output channel number
<b>voltage</b>	f64	voltage, in volts, to be converted to a binary value

#### Output

Name	Type	Description
<b>binVal</b>	i16	converted binary value returned

### Parameter Discussion

**chan** is the analog output channel number.

Range: 0 or 1 for the Lab and 1200 Series analog output devices, and MIO devices.  
 0 through 5 for AT-AO-6.  
 0 through 10 for AT-AO-10.  
 0 through 47 for the VXI-AO-48XDC.



**Note** *C Programmers*—**binVal** is a pass-by-reference parameter.

### Using This Function

Using the following formula, **AO\_VScale** calculates the binary value to be written to the specified analog output channel to generate an output voltage corresponding to **voltage**.

$$\mathbf{binVal} = (\mathbf{voltage}/\mathbf{refVoltage}) * \mathbf{maxBinVal}$$

where values of **refVoltage** and **maxBinVal** are appropriate for your device and current configuration.

Notice that **refVoltage** is the value you specify in `AO_Configure`. Because you can independently configure the analog output channels for range and polarity, NI-DAQ can translate the same voltage to different values for each channel.



**Note**

*Some inaccuracy results in the `binVal` parameter when you use this function on the VXI-AO-48XDC, because this device works with a larger analog output resolution than can be represented by the 16-bit binary output value for `AO_VScale`. The binary output value is designated as the most significant 16 bits of the scaling operation to minimize this inaccuracy. Use the `AO_VWrite` function to prevent this kind of inaccuracy.*

## AO\_VWrite

---

### Format

**status** = AO\_VWrite (**deviceNumber**, **chan**, **voltage**)

### Purpose

Accepts a floating-point voltage value, scales it to the proper binary number, and writes that number to an analog output or current channel to change the output voltage.

### Parameters

#### Input

Name	Type	Description
<b>deviceNumber</b>	i16	assigned by configuration utility
<b>chan</b>	i16	analog output channel number
<b>voltage</b>	f64	floating-point value to be scaled and written

### Parameter Discussion

**chan** is the analog output channel number.

Range: 0 or 1 for the AO-2DC, Lab and 1200 Series analog output, and MIO devices.  
 0 through 5 for AT-AO-6.  
 0 through 9 for AT-AO-10.  
 0 through 49 for the VXI-AO-48XDC.

**voltage** is the floating-point value to be scaled and written to the analog output channel. The range of voltages depends on the type of device, on the jumpered output polarity, and on whether you apply an external voltage reference.

- Default ranges (bipolar, internal voltage reference):
  - MIO device: -10 to +10 V
  - AT-AO-6/10: -10 to +10 V
  - Lab and 1200 Series analog output devices: -5 to +5 V
  - VXI-AO-48XDC: -10.24 to +10.24 V
- Default ranges (unipolar, internal voltage reference):
  - AO-2DC device: 0 to +10 V

If you set the output type to current by calling `AO_Change_Parameter`, the floating-point value indicates the current in amps.

Default ranges (unipolar, internal voltage reference):

AO-2DC device: 0 to 0.02 A

VXI-AO-48XDC: 0 to 0.02047 A

## Using This Function

`AO_VWrite` scales **voltage** to a binary value and then writes that value to the DAC in the analog output channel. If the analog output channel is configured for immediate update, the output voltage or current changes immediately. Otherwise, the output voltage or current changes on a call to `AO_Update` or the application if an external pulse.

If you have changed the output polarity for the analog output channel from the factory setting of bipolar to unipolar, you must call `AO_Configure` with this information for `AO_VWrite` to correctly scale the floating-point value to the binary value.

You also can use this function to calibrate the VXI-AO-48XDC. On this device, writes to channel number 48 affect the voltage or current offset calibration, depending on the output type of this channel as set by the `AO_Change_Parameter` function. In addition, writes to channel number 49 affect the voltage or current gain calibration, which also depends on the output type of the channel as set by the `AO_Change_Parameter` function.

## AO\_Write

---

### Format

**status = AO\_Write (deviceNumber, chan, value)**

### Purpose

Writes a binary value to one of the analog output channels, changing the voltage produced at the channel.

### Parameters

#### Input

Name	Type	Description
<b>deviceNumber</b>	i16	assigned by configuration utility
<b>chan</b>	i16	analog output channel number
<b>value</b>	i16	digital value to be written

### Parameter Discussion

**chan** is the analog output channel number.

Range: 0 or 1 for Lab and 1200 Series analog output and MIO devices.  
 0 through 5 for AT-AO-6.  
 0 through 9 for AT-AO-10.  
 0 through 47 for the VXI-AO-48XDC.

**value** is the digital value to be written to the analog output channel. **value** has several ranges, depending on whether the analog output channel is configured for unipolar or bipolar operations and on the analog output resolution of the device as shown in the following table.

Device	Bipolar	Unipolar
Most devices	-2,048 to +2,047	0 to +4,095
AT-MIO-16X, 16-bit E Series devices	-32,768 to +32,767	0 to +65,535

### Using This Function

AO\_Write writes **value** to the DAC in the analog output channel. If you configure the analog output channel for immediate update, which is the default setting, the output voltage or current changes immediately. Otherwise, the output voltage or current changes on a call to AO\_Update or the application of an external pulse.





**Note**

*Some inaccuracy results when you use `AO_Write` on the `VXI-AO-48XDC`, because this device works with a larger analog output resolution than can be represented by the 16-bit `value` parameter. `value` represents the most significant 16 bits of the DAC, in order to minimize this inaccuracy. Use the `AO_VWrite` function to prevent this type of inaccuracy.*

## Calibrate\_1200

---

### Format

**status = Calibrate\_1200 (device, calOP, saveNewCal, EEPROMloc, calRefChan, grndRefChan, DAC0chan, DAC1chan, calRefVolts, gain)**

### Purpose

The 1200 and 1200AI devices come fully equipped with accurate factory calibration constants. However, if you feel that the device is not performing either analog input or output accurately and suspect the device calibration to be in error, you can use `Calibrate_1200` to obtain a user-defined set of new calibration constants.

A complete set of calibration constants consists of ADC constants for all gains at one polarity plus DAC constants for both DACs, again at the same polarity setting. It is important to understand the polarity rules. The polarity your device was in when a set of calibration constants was created must match the polarity your device is in when those calibration constants are used. For example, calibration constants created when your ADC is in unipolar must be used only for data acquisition when your ADC is also in unipolar.

You can store up to six sets of user-defined calibration constants. These are stored in the EEPROM on your device in places called user calibration areas. Refer to your hardware user manual for more information on these calibration areas. You also can use the calibration constants created at the factory at any time. These are stored in write protected places in the EEPROM called factory calibration areas. There are two of these. One holds constants for bipolar operation and the other for unipolar. One additional area in the EEPROM important to calibration is called the default load table. This table contains four pointers to sets of calibration constants; one pointer each for ADC unipolar constants, ADC bipolar constants, DAC unipolar and DAC bipolar. This table is used by NI-DAQ for calibration constant loading.

It is also important to understand the calibration constant loading rules. The first time a function requiring use of the ADC or DAC is called in an application, NI-DAQ automatically loads a set of calibration constants. At that time, the polarities of your ADC and DACs are examined and the appropriate pointers in the default load table are used. The calibration constant loading is done after the DLL is loaded. If your DLL is ever unloaded and then reloaded again, the calibration constant loading is also done again.



#### Note

***Calling this function on an SCXI-1200 with remote SCXI might take an extremely long time. We strongly recommend that you switch your SCXI-1200 to use a parallel port connection before performing the calibration and store the calibration constants in one of the EEPROM storage locations.***



**Caution** *Read the calibration chapter in your device user manual before using Calibrate\_1200.*

## Parameters

### Input

Name	Type	Description
<b>device</b>	i16	device number
<b>calOP</b>	i16	operation to be performed
<b>saveNewCal</b>	i16	save new calibration constants
<b>EEPROMloc</b>	i16	storage location on EEPROM
<b>calRefChan</b>	i16	AI channel connected to the calibration voltage
<b>grndRefChan</b>	i16	AI channel that is grounded
<b>DAC0chan</b>	i16	AI channel connected to DAC0
<b>DAC1chan</b>	i16	AI channel connected to DAC1
<b>calRefVolts</b>	f64	DC calibration voltage
<b>gain</b>	f64	gain at which ADC is operating

## Parameter Discussion

**calOP** determines the operation to be performed.

- 1: Load calibration constants from **EEPROMloc**. If **EEPROMloc** is 0, the default load table is used and NI-DAQ ensures that the constants loaded are appropriate for the current polarity settings. If **EEPROMloc** is any other value you must ensure that the polarity of your device matches those of the calibration constants.
- 2: Calibrate the ADC using DC reference voltage **calRefVolts** connected to **calRefChan**. To calibrate the ADC, you must ground one input channel (**grndRefChan**) and connect a voltage reference between any other channel and AGND (pin 11). After calibration, the calibration constants that were obtained during the process remain in use by the ADC until the device is initialized again.



**Note** *The ADC must be in referenced single-ended mode for successful calibration of the ADC.*

- 3: Calibrate the DACs. **DAC0chan** and **DAC1chan** are the analog input channels to which DAC0 and DAC1 are connected, respectively. To calibrate the DACs, you must wrap-back the DAC0 out (pin 10) and DAC1 out (pin 12) to any two analog input channels. After calibration, the calibration constants that were

obtained during the process remain in use by the DACs until the device is initialized again.

**Note**

*The ADC must be in referenced single-ended and bipolar mode and fully calibrated (using calOP = 2) for successful calibration of the DACs.*

- 4: Reserved.
- 5: Edit the default load table so that the set of constants in the area identified by **EEPROMloc** (1–6, 9 or 10) become the default calibration constants for the ADC. NI-DAQ changes either the unipolar or bipolar pointer in the default load table depending on the polarity those constants are intended for. The factory default for the ADC unipolar pointer is **EEPROMloc** = 9. The factory default for the ADC bipolar pointer is **EEPROMloc** = 10. You can specify any user area in **EEPROMloc** after you have run a calibration on the ADC and saved the calibration constants to that user area. Or, you can specify **EEPROMloc** = 9 or 10 to reset the default load table to the factory calibration for unipolar and bipolar mode respectively.
- 6: Edit the default load table so that the set of constants in the area identified by **EEPROMloc** (1–6, 9 or 10) become the default calibration constants for the DACs. NI-DAQ's behavior for **calOP** = 6 is identical to that for **calOP** = 5. Just substitute DAC everywhere you see ADC.

The following table summarizes the possible values of other parameters depending on the value of **calOP**.

**Table 2-16.** Possible Calibrate\_1200 Parameter Values

<b>calOP</b>	<b>saveNewCal</b>	<b>EEPROMloc</b>	<b>calRefChan</b>	<b>grndRefChan</b>	<b>DAC0chan</b>	<b>DAC1chan</b>	<b>calRefVolts</b>	<b>gain</b>
1	ignored	0–10	ignored	ignored	ignored	ignored	ignored	ignored
2	0 or 1	1–6	AI chan connected to voltage source (0–7)	AI chan connected to ground (0–7)	ignored	ignored	the voltage of the voltage source	1, 2, 5, 10, 50, or 100
3	0 or 1	1–6	ignored	ignored	AI chan connected to DAC0Out (0–7)	AI chan connected to DAC1Out (0–7)	ignored	1, 2, 5, 10, 50, or 100

**Table 2-16.** Possible Calibrate\_1200 Parameter Values (Continued)

<b>calOP</b>	<b>saveNewCal</b>	<b>EEPROMloc</b>	<b>calRefChan</b>	<b>grndRefChan</b>	<b>DAC0chan</b>	<b>DAC1chan</b>	<b>calRefVolts</b>	<b>gain</b>
5	ignored	1–6, 9–10	ignored	ignored	ignored	ignored	ignored	ignored
6	ignored	1–6, 9–10	ignored	ignored	ignored	ignored	ignored	ignored

**saveNewCal** is valid only when **calOP** is 2 or 3.

- 0: Do not save new calibration constants. Even though they are not permanently saved in the EEPROM, calibration constants created after a successful calibration remains in use by your device until your device is initialized again.
- 1: Save new calibration constants in **EEPROMloc** (1–6).

**EEPROMloc** selects the storage location in the onboard EEPROM to be used. Different sets of calibration constants can be used to compensate for configuration or environmental changes.

- 0: Use the default load table (valid only if **calOP** = 1).
- 1: User calibration area 1.
- 2: User calibration area 2.
- 3: User calibration area 3.
- 4: User calibration area 4.
- 5: User calibration area 5.
- 6: User calibration area 6.
- 7: Invalid.
- 8: Invalid.
- 9: Factory calibration area for unipolar (write protected).
- 10: Factory calibration area for bipolar (write protected).

Notice that the user cannot write into **EEPROMloc** 9 and 10.

**calRefChan** is the analog input channel connected to the calibration voltage of **calRefVolts** when **calOP** is 2.

Range: 0 through 7.

**grndRefChan** is the analog input channel connected to ground when **calOP** is 2.

Range: 0 through 7.

**DAC0chan** is the analog input channel connected to DAC0 when **calOP** is 3.

Range: 0 through 7.

**DAC1chan** is the analog input channel connected to DAC1 when **calOP** is 3.

Range: 0 through 7.

**calRefVolts** is the value of the DC calibration voltage connected to **calRefChan** when **calOP** = 2.



**Note** *If you are calibrating at a gain other than 1, make sure you apply a voltage so that **calRefVolts** \* **gain** is within the upper limits of the analog input range of the device.*

**gain** is the device gain setting at which you want to calibrate when **calOP** is 2 or 3. When you perform an analog input operation, a calibration constant for that gain must be available. When you run the `Calibrate_1200` function at a particular gain, the device only can be used to collect data accurately at that gain. If you are creating a set of calibration constants that you intend to use, you must be sure to calibrate at all gains at which you intend to sample.

Range: 1, 2, 5, 10, 50, or 100.

## Using This Function

A calibration performed in bipolar mode is not valid for unipolar and vice versa.

`Calibrate_1200` performs a bipolar or unipolar calibration, or loads the bipolar or unipolar constants (**calOP**=1, **EEPROMloc**=0), depending on the value of the polarity parameter in the last call to `AI_Configure` and `AO_Configure`. If analog input measurements are taken with the wrong set of calibration constants loaded, you might produce erroneous data.

Calibrate for a particular gain if you plan to acquire at that gain. If you calibrate the device yourself make sure you calibrate at a gain that you are likely to use. Each gain has a different calibration constant. When you switch gains, NI-DAQ automatically loads the calibration constant for that particular gain. If you have not calibrated for that gain and saved the constant earlier, an incorrect value is used.

To set up your own calibration constants in the user area for both unipolar and bipolar configurations, you need to complete the following steps. The basic steps are to create and store both unipolar and bipolar ADC calibration constants, and modify the default load table so that NI-DAQ automatically loads your constants instead of the factory constants.

**Step 1. Unipolar calibration**—Change the polarity of your device to unipolar (by using the `AI_Configure` call or use the NI-DAQ Configuration Utility in Windows). Call `Calibrate_1200` to perform an ADC calibration, as in the following example:

```
status = Calibrate_1200 (device, 2, 1, EEPROMloc, calRefChan,
grndRefChan, 0, 0, calRefVolts, gain)
```

where you specify **device**, **EEPROMloc** (say 1, for example), **calRefChan**, **grndRefChan**, **calRefVolts**, and **gain**.

Next call this function again; for example:

```
status = Calibrate_1200 (device, 5, 0, EEPROMloc, 0, 0, 0, 0, 0, 0)
```

where the **device** and **EEPROMloc** are the same as in the first function call.

NI-DAQ automatically modifies the ADC unipolar pointer in the default load table to point to user area 1.

**Step 2. Bipolar calibration**—Change the polarity of your device to bipolar. Call `Calibrate_1200` to perform another ADC calibration (**calOP** = 2) with **saveNewCal** = 1 (save) and **EEPROMloc** set to a different user area (say, 2) as shown above. Next, call the function with **calOP** = 5 and **EEPROMloc** = 2 as shown above. NI-DAQ automatically modifies the ADC bipolar pointer in the default load table to point to user area 2. At this point, you have set up user area 1 to be your default load area when you operate the device in unipolar mode and user area 2 to be your default load area when you operate the device in bipolar mode. NI-DAQ automatically handles the loading of the appropriate constants.

Failed calibrations leave your device in an incorrectly calibrated state. If you run this function with **calOp** = 2 or 3 and receive an error, you must reload a valid set of calibration constants. If you have a valid set of user defined constants in one of the user areas, you can load them. Otherwise, reload the factory constants.



**Note**

*If you are using remote SCXI, the time this function might take depends on the baud rate settings, where slower baud rates causes this function to take longer. You also might want to call `Timeout_Config` to set the timeout limit for your device to a longer value, if you do obtain a `timeoutError` from this function.*

# Calibrate\_DSA

---

## Format

**status = Calibrate\_DSA (deviceNumber, operation, refVoltage)**

## Purpose

Use this function to calibrate your DSA device.

## Parameters

### Input

Name	Type	Description
<b>deviceNumber</b>	i16	assigned by configuration utility
<b>operation</b>	u32	operation to be performed
<b>refVoltage</b>	f64	DC calibration voltage

## Parameter Discussion

The legal range for operation is given in terms of constants defined in a header file. The header file you should use depends on the language you are using:

- C programmers—`NIDAQCNS.H` (`DATAACQ.H`) for LabWindows/CVI
- BASIC programmers—`NIDAQCNS.INC` Visual Basic for Windows programmers should refer to the *Programming Language Considerations* section in Chapter 1, *Using the NI-DAQ Functions*, for more information.
- Pascal programmers—`NIDAQCNS.PAS`

**operation** determines the operation to be performed.

Range:

`ND_SELF_CALIBRATE`—Self-calibrates the device.

`ND_EXTERNAL_CALIBRATE`—Externally calibrates the device.

`ND_RESTORE_FACTORY_CALIBRATION`—Calibrates the device using internal factory reference.

**refVoltage** is the value of the DC calibration voltage connected to analog input channel 0 when operation is `ND_EXTERNAL_CALIBRATE`. This parameter is ignored when operation is set to `ND_EXTERNAL_CALIBRATE` or `ND_RESTORE_FACTORY_CALIBRATION`.

Range: +1.0 to +9.99 V.

To achieve the highest accuracy, use a reference voltage between +5.0 and +9.99 V.



## Using This Function

Your device contains calibration D/A converters (calDACs) that are used for fine-tuning the analog circuitry. The calDACs must be programmed (loaded) with certain numbers called calibration constants. These constants are stored in nonvolatile memory (EEPROM) on your device. To achieve specification accuracy, you should perform an internal calibration of your device just before a measurement session but after your computer and the device have been powered on and allowed to warm up for at least 15 minutes. Frequent calibration produces the most stable and repeatable measurement performance.

Before the device is shipped from the factory, an external calibration is performed and the EEPROM contains calibration constants that NI-DAQ automatically loads into the calDACs as needed. The value of the onboard reference voltage is also stored in the EEPROM, and this value is used when you subsequently perform a self-calibration. The calibration constants are recalculated and stored in the EEPROM when a self-calibration is performed. When you perform an external calibration, NI-DAQ recalculates the value of the onboard reference voltage and then performs a self-calibration. This new onboard reference value is used for all subsequent self-calibration operations. If a mistake is made when performing an external calibration, you can restore the board's factory calibration so that the board is not unusable.

## Performing Self-Calibration of the Board

Set **operation** to `ND_SELF_CALIBRATE` to perform self-calibration of your device.

### Example:

You want to perform self-calibration of your device and you want to store the new set of calibration constants in the EEPROM. You should make the following call:

```
Calibrate_DSA (deviceNumber, ND_SELF_CALIBRATE, 0.0)
```

## Performing External Calibration of the Board

Set **operation** to `ND_EXTERNAL_CALIBRATE` to externally calibrate your device. The value of the internal reference voltage will be recalculated and the board will be self-calibrated using the new reference value.

Before calling the `Calibrate_DSA` function, connect the output of your reference voltage to analog input channel 0.

### Example:

You want to externally calibrate your device using an external reference voltage source with a precise 7.0500 V reference, and you want to store the new set of calibration constants in the EEPROM. You should make the following call:

```
Calibrate_DSA (deviceNumber, ND_EXTERNAL_CALIBRATE, 7.0500)
```

## Restoring Factory Calibration

To restore the factory value of the internal reference voltage after an external calibration, set **operation** to `ND_RESTORE_FACTORY_CALIBRATION`. You might want to do so if you made a mistake while performing the external calibration, or if you did not want to perform the external calibration at all.

## Calibrate\_E\_Series

---

### Format

**status** = **Calibrate\_E\_Series** (**deviceNumber**, **calOP**, **setOfCalConst**, **calRefVolts**)

### Purpose

Use this function to calibrate your E Series device and to select a set of calibration constants to be used by NI-DAQ.



**Caution** *Read the calibration chapter in your device user manual before using Calibrate\_E\_Series.*



**Note** *Analog output channels and the AO and WFM functions do not apply to the AI E Series devices.*

### Parameters

#### Input

Name	Type	Description
<b>deviceNumber</b>	i16	assigned by configuration utility
<b>calOP</b>	u32	operation to be performed
<b>setOfCalConst</b>	u32	set of calibration constants or the EEPROM location to use
<b>calRefVolts</b>	f64	DC calibration voltage

### Parameter Discussion

The legal ranges for the **calOP** and **setOfCalConst** parameters are given in terms of constants that are defined in the header file. The header file you should use depends on which of the following languages you are using:

- C programmers—NIDAQCNS.H (DATAACQ.H for LabWindows/CVI)
- BASIC programmers—NIDAQCNS.INC
- Pascal programmers—NIDAQCNS.PAS

**calOP** determines the operation to be performed.

Range:

ND\_SET\_DEFAULT\_LOAD\_AREA—Make **setOfCalConst** the default load area; do not perform calibration.

ND\_SELF\_CALIBRATE—Self-calibrates the device.

ND\_EXTERNAL\_CALIBRATE—Externally calibrates the device.

**setOfCalConst** selects the set of calibration constants to be used by NI-DAQ. These calibration constants reside in the onboard EEPROM or are maintained by NI-DAQ.

Range:

ND_FACTORY_EEPROM_AREA:	Factory calibration area of the EEPROM. You cannot modify this area, so you can set <b>setOfCalConst</b> to ND_FACTORY_EEPROM_AREA only when <b>calOP</b> is set to ND_SET_DEFAULT_LOAD_AREA.
ND_NI_DAQ_SW_AREA:	NI-DAQ maintains calibration constants internally; no writing into the EEPROM occurs. You cannot use this setting when <b>calOP</b> is set to ND_SET_DEFAULT_LOAD_AREA. You can use this setting to calibrate your device repeatedly during your program, and you do not want to store the calibration constants in the EEPROM.
ND_USER_EEPROM_AREA:	For the user calibration area of the EEPROM. If <b>calOP</b> is set to ND_SELF_CALIBRATE or ND_EXTERNAL_CALIBRATE, the new calibration constants is written into this area, and this area becomes the new default load area. You can use this setting to run several NI-DAQ applications during one measurement session conducted at same temperature, and you do not want to recalibrate your device in each application.

**calRefVolts** is the value of the DC calibration voltage connected to analog input channel 0 when **calOP** is ND\_EXTERNAL\_CALIBRATE. This parameter is ignored when **calOP** is ND\_SET\_DEFAULT\_LOAD\_AREA or ND\_SELF\_CALIBRATE.

Range:

- 12-bit E Series devices: +6.0 to +10.0 V
- 16-bit E Series devices: +6.0 to +9.999 V

## Using This Function

Your device contains calibration D/A converters (calDACs) that are used for fine-tuning the analog circuitry. The calDACs must be programmed (loaded) with certain numbers called calibration constants. Those constants are stored in non-volatile memory (EEPROM) on your device or are maintained by NI-DAQ. To achieve specification accuracy, you should perform an internal calibration of your device just before a measurement session but after your computer and the device have been powered on and allowed to warm up for at least 15 minutes. Frequent calibration produces the most stable and repeatable measurement performance. The device is not affected negatively if you recalibrate it as often as you want.

Two sets of calibration constants can reside in two *load areas* inside the EEPROM; one set is programmed at the factory, and the other is left for the user. One load area in the EEPROM corresponds to one set of constants. The load area NI-DAQ uses for loading calDACs with calibration constants is called the default load area. When you get the device from the factory,

the default load area is the area that contains the calibration constants obtained by calibrating the device in the factory. NI-DAQ automatically loads the relevant calibration constants stored in the load area the first time you call a function (an AI, AO, DAQ, SCAN and WFM function) that requires them. NI-DAQ also automatically reloads calibration constants whenever appropriate; see the [Calibration Constant Loading by NI-DAQ](#) section later in this function for details. When you call the Calibrate\_E\_Series function with **setOfCalConst** set to ND\_NI\_DAO\_SW\_AREA, NI-DAQ uses a set of constants it maintains in a load area that does not reside inside the EEPROM.



**Note** *Calibration of your MIO or AI device takes some time. Do not be alarmed if the Calibrate\_E\_Series function takes several seconds to execute.*



**Note** *After powering on your computer, you should wait for some time (typically 15 minutes) for the entire system to warm up before performing the calibration. You should allow the same warm-up time before any measurement session that will take advantage of the calibration constants determined by using the Calibrate\_E\_Series function.*



**Note** *611X devices do not support external calibration.*



**Caution** *When you call the Calibrate\_E\_Series function with calOP set to ND\_SELF\_CALIBRATE or ND\_EXTERNAL\_CALIBRATE, NI-DAQ will abort any ongoing operations the device is performing and set all configurations to defaults. Therefore, we recommend that you call Calibrate\_E\_Series before calling other NI-DAQ functions or when no other operations are going on.*

Explanations about using this function for different purposes (with different values of **calOP**) are given in the following sections.

## Changing the Default Load Area

Set **calOP** to ND\_SET\_DEFAULT\_LOAD\_AREA to change the area used for calibration constant loading. The storage location selected by **setOfCalConst** becomes the new default load area.

### Example:

You want to make the factory area of the EEPROM default load area. You should make the following call:

```
Calibrate_E_Series(deviceNumber, ND_SET_DEFAULT_LOAD_AREA,
ND_FACTORY_EEPROM_AREA, 0.0)
```

## Performing Self-Calibration of the Board

Set **calOP** to ND\_SELF\_CALIBRATE to perform self-calibration of your device. The storage location selected by **setOfCalConst** becomes the new default load area.

**Example:**

You want to perform self-calibration of your device and you want to store the new set of calibration constants in the user area of the EEPROM. You should make the following call:

```
Calibrate_E_Series(deviceNumber, ND_SELF_CALIBRATE,
ND_USER_EEPROM_AREA, 0.0)
```

The EEPROM user area becomes the default load area.

**Performing External Calibration of the Board**

Set **calOP** to `ND_EXTERNAL_CALIBRATE` to perform external calibration of your device. The storage location selected by **setOfCalConst** becomes the new default load area.

Make the following connections before calling the `Calibrate_E_Series` function:

12-bit E Series Devices	16-bit E Series
<ol style="list-style-type: none"> <li>1. Connect the positive output of your reference voltage source to the analog input channel 8.</li> <li>2. Connect the negative output of your reference voltage source to the AISENSE line.</li> <li>3. Connect the DAC0 line (analog output channel 0) to analog input channel 0.</li> <li>4. If your reference voltage source and your computer are floating with respect to each other, connect the AISENSE line to the AIGND line as well as to the negative output of your reference voltage source.</li> </ol>	<ol style="list-style-type: none"> <li>1. Connect the positive output of your reference voltage source to analog input channel 0.</li> <li>2. Connect the negative output of your reference voltage source to analog input channel 8.</li> </ol> <p><b>Note:</b> By performing these first two connections, you supply the reference voltage to analog input channel 0, which is configured for differential operation.</p> <ol style="list-style-type: none"> <li>3. If your reference voltage source and your computer are floating with respect to each other, connect the negative output of your reference voltage source to the AIGND line as well as to analog input channel 8.</li> </ol>

**Example:**

You want to perform an external calibration of your device using an external reference voltage source with a precise 7.0500 V reference, and you want NI-DAQ to maintain a new set of calibration constants without storing them in the EEPROM. You should make the following call:

```
Calibrate_E_Series(deviceNumber, ND_EXTERNAL_CALIBRATE,
ND_NI_DAQ_SW_AREA, 7.0500)
```

The internal NI-DAQ area will become the default load area, and the calibration constants will be lost when your application ends.

## Calibration Constant Loading by NI-DAQ

NI-DAQ automatically loads calibration constants into calDACs whenever you call functions that depend on them (AI, AO, DAQ, SCAN, and WFM functions). The following conditions apply:

12-bit E Series Devices	16-bit E Series Devices
<ul style="list-style-type: none"> <li>• The same set of constants is correct for both polarities of analog input.</li> <li>• One set of constants is valid for unipolar, and another set is valid for bipolar configuration of the analog output channels. When you change the polarity of an analog output channel, NI-DAQ reloads the calibration constants for that channel.</li> </ul>	<ul style="list-style-type: none"> <li>• Calibration constants required by the 16-bit E Series devices for unipolar analog input channels are different from those for bipolar analog input channels. If you are acquiring data from one channel, or if all of the channels you are acquiring data from are configured for the same polarity, NI-DAQ selects the appropriate set of calibration constants for you. If you are scanning several channels, and you mix channels configured for unipolar and bipolar mode in your scan list, NI-DAQ loads the calibration constants appropriate for the polarity that analog input channel 0 is configured for.</li> <li>• Analog output channels on the AT-MIO-16XE-50 can be configured only for bipolar operation. Therefore, NI-DAQ always uses the same constants for the analog output channels.</li> </ul>

## Config\_Alarm\_Deadband

---

### Format

**status = Config\_Alarm\_Deadband (deviceNumber, mode, chanStr, trigLevel, deadbandWidth, handle, alarmOnMessage, alarmOffMessage, callbackAddr)**

### Purpose

Notifies NI-DAQ applications when analog input signals meet the alarm-on or alarm-off condition you specified. Also, NI-DAQ sends your application a message or executes a callback function that you provide.

### Parameters

#### Input

Name	Type	Description
<b>deviceNumber</b>	i16	assigned by configuration utility
<b>mode</b>	i16	add or remove high/low alarm events
<b>chanStr</b>	STR	channel string
<b>trigLevel</b>	f64	trigger level in volts
<b>deadbandWidth</b>	f64	the width of the alarm deadband in volts
<b>handle</b>	i16	handle
<b>alarmOnMessage</b>	i16	user-defined alarm-on message
<b>alarmOffMessage</b>	i16	user-defined alarm-off message
<b>callbackAddr</b>	u32	user callback function address

### Parameter Discussion

**mode** indicates whether to add a new alarm message or remove an old alarm message with the given device.

- 0: Add a high alarm deadband event.
- 1: Add a low alarm deadband event.
- 2: Remove a high alarm deadband event.
- 3: Remove a low alarm deadband event.

**chanStr** is a string description of the trigger analog channel or digital port.



The channel string has one of the following formats:

xn

SCn!MDn!CHn

AMn!n

where

- x: AI for analog input channel.
- n: Analog channel, digital port, SCXI chassis, SCXI module number, or AMUX-64T device number.
- SC: Keyword stands for SCXI chassis.
- MD: Keyword stands for SCXI module.
- CH: Keyword stands for SCXI channel.
- AM: Keyword stands for AMUX-64T device.
- !: Delimiter.

For example, the following string specifies onboard analog input channel 5 as the trigger channel:

AI5

The following string specifies SCXI channel 1 in SCXI module 2 of SCXI chassis 4 as the trigger channel:

SC4!MD2!CH1

The following specifies AMUX channel 34 on the AMUX-64T device 1 as the trigger channel:

AM1!34

You also can specify more than one channel as the trigger channel by listing all the channels when specifying the channel number. For example, the following string specifies onboard analog input channel 2, 4, 6, and 8 as the trigger channels:

AI2, AI4, AI6, AI8

Also, if your channel numbers are consecutive, you can use the following shortcut to specify onboard analog input channels 2 through 8 as trigger channels:

AI2:8

**trigLevel** is the alarm limit in volts. **trigLevel** and **deadbandWidth** determine the trigger condition.

**deadbandWidth** specifies, in volts, the hysteresis window for triggering.

**handle** is the handle to the window you want to receive a Windows message in when **DAQEvent** happens.

**alarmOnMessage** and **alarmOffMessage** are messages you define. When the alarm-on condition occurs, NI-DAQ passes **alarmOnMessage** back to you. Similarly, when the alarm-off condition occurs, NI-DAQ passes **alarmOffMessage** back to you. The messages can be any value.

In Windows, you can set the message to a value including any Windows predefined messages such as `WM_PAINT`. However, to define your own message, you can use any value ranging from `WM_USER` (0x400) to 0x7fff. This range is reserved by Microsoft for messages you define.

**callbackAddr** is the address of the user callback function. NI-DAQ calls this function when **DAQEvent** occurs. See `Config_DAQ_Event_Message` for restrictions on this parameter.

## Using This Function

To meet the high alarm-on condition, the input signal must first go below  $(\text{trigLevel} - \text{deadbandWidth}/2)$  volts and then go above  $(\text{trigLevel} + \text{deadbandWidth}/2)$  volts. On the other hand, to meet the high alarm-off condition, the input signal must first go above  $(\text{trigLevel} + \text{deadbandWidth}/2)$  volts and then go below  $(\text{trigLevel} - \text{deadbandWidth}/2)$  volts. See Figure 2-1 for an illustration of the high alarm condition.

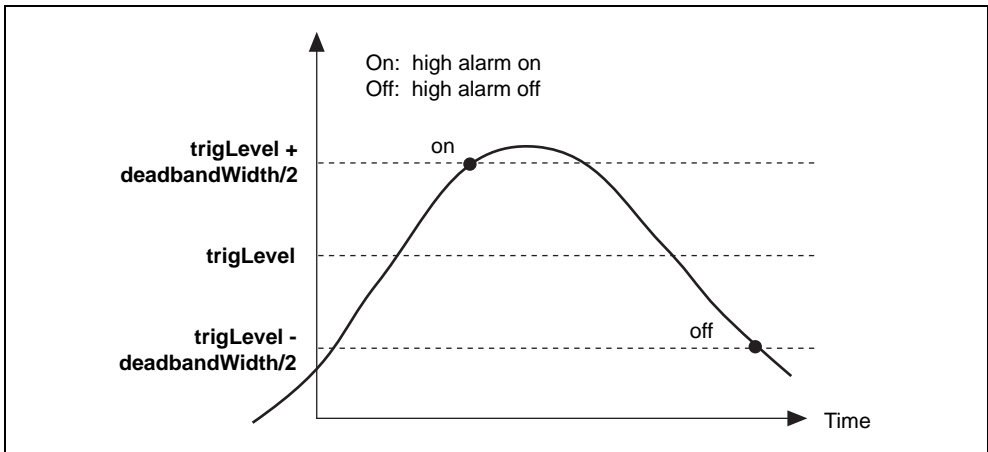
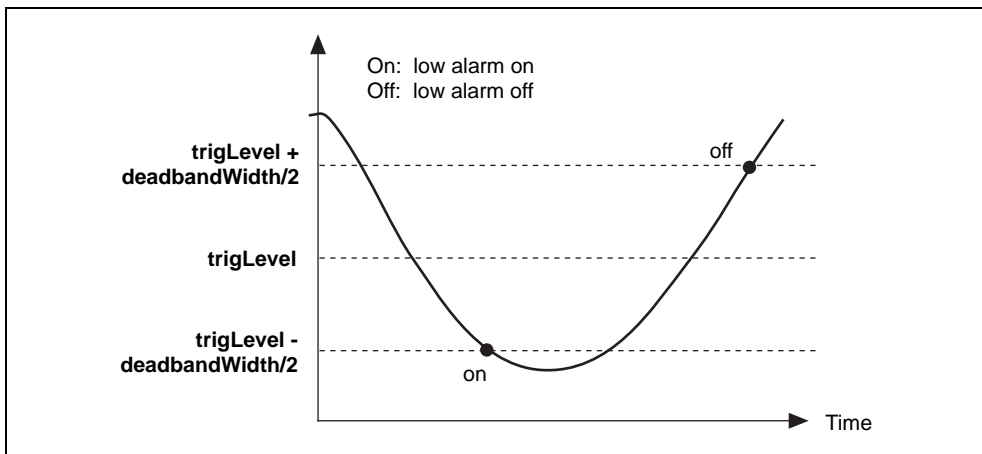


Figure 2-1. High Alarm Deadband

The low alarm deadband trigger condition is the opposite of the high alarm deadband trigger condition. To meet the low alarm-on condition, the input signal must first go above  $(\text{trigLevel} + \text{deadbandWidth}/2)$  and then go below  $(\text{trigLevel} - \text{deadbandWidth}/2)$ . On the other hand, to meet the low alarm-off condition, the input signal must first go below  $(\text{trigLevel} - \text{deadbandWidth}/2)$  and then go above  $(\text{trigLevel} + \text{deadbandWidth}/2)$ . See Figure 2-2 for an illustration of the low alarm condition.



**Figure 2-2.** Low Alarm Deadband

Config\_Alarm\_Deadband is a high-level function for NI-DAQ event messaging. Because this function uses the current **inputRange** and **polarity** settings to translate **triglevel** and **deadbandWidth** from volts to binary, you should not call `AI_Configure` and change these settings after you have called `Config_Alarm_Deadband`. For more information on NI-DAQ event messaging, see the low-level function `Config_DAQ_Event_Message`. When you are using this function, the analog input data acquisition must be run with interrupts only (programmed I/O mode). You cannot use DMA. See `Set_DAQ_Device_Info` for how to change modes.

## Config\_ATrig\_Event\_Message

---

### Format

**status = Config\_ATrig\_Event\_Message (deviceNumber, mode, chanStr, trigLevel, windowSize, trigSlope, trigSkipCount, pretrigScans, postTrigScans, handle, message, callbackAddr)**

### Purpose

Notifies NI-DAQ applications when the trigger channel signal meets certain criteria you specify. NI-DAQ sends your application a message or executes a callback function that you provide.

### Parameters

#### Input

Name	Type	Description
<b>deviceNumber</b>	i16	assigned by configuration utility
<b>mode</b>	i16	add or remove a message
<b>chanStr</b>	STR	channel string
<b>trigLevel</b>	f64	trigger level in volts
<b>windowSize</b>	f64	hysteresis window size in volts
<b>triggerSlope</b>	i16	trigger slope
<b>trigSkipCount</b>	u32	number of triggers
<b>preTrigScans</b>	u32	number of scans to skip before trigger event
<b>postTrigScans</b>	u32	number of scans after trigger event
<b>handle</b>	i16	handle
<b>message</b>	i16	user-defined message
<b>callbackAddr</b>	u32	user callback function address

### Parameter Discussion

**mode** indicates whether to add a new alarm message or to remove an old alarm message with the given device.

- 0: Remove an existing analog trigger event.
- 1: Add a new analog trigger event.

**chanStr** is a string description of the trigger analog channel or digital port.

The channel string has one of the following formats:

xn

SCn!MDn!CHn

AMn!n

where

- x: AI for analog input channel.
- n: Analog channel, digital port, SCXI chassis, SCXI module number, or AMUX-64T device number.
- SC: Keyword stands for SCXI chassis.
- MD: Keyword stands for SCXI module.
- CH: Keyword stands for SCXI channel.
- AM: Keyword stands for AMUX-64T device.
- !: Delimiter.

For example, the following string specifies an onboard analog input channel 5 as the trigger channel:

AI5

The following string specifies SCXI channel 1 in SCXI module 2 of SCXI chassis 4 as the trigger channel:

SC4!MD2!CH1

The following specifies AMUX channel 34 on the AMUX-64T device 1 as the trigger channel:

AM1!34

You also can specify more than one channel as the trigger channel by listing all the channels when specifying channel number. For example, the following string specifies onboard analog input channel 2, 4, 6, and 8 as the trigger channels:

AI2, AI4, AI6, AI8

Also, if your channel numbers are consecutive, you can use the following shortcut to specify onboard analog input channels 2 through 8 as trigger channels:

AI2:8

**trigLevel** is the alarm limit in volts. **trigLevel** and **windowSize** determine the trigger condition.

**windowSize** is the number of volts below **trigLevel** for positive slope or above the analog trigger level for negative slope that the input signal must go before NI-DAQ recognizes a valid trigger crossing at the analog trigger level.

**trigSlope** is the slope the input signal should trigger on.

- 0: Trigger on either positive and negative slope.
- 1: Trigger on positive slope.
- 2: Trigger on negative slope.

**trigSkipCount** is the number of valid triggers NI-DAQ ignores. It can be any value greater than or equal to zero. For example, if **trigSkipCount** is 3, you are notified when the fourth trigger occurs.

**preTrigScans** is the number of scans of data NI-DAQ collects before looking for the very first trigger. Setting **preTrigScans** to 0 causes NI-DAQ to look for the first trigger as soon as the DAQ process begins.

**postTrigScans** is the number of scans of data NI-DAQ collects after the **trigSkipCount** triggers before notifying you.

**handle** is the handle to the window you want to receive a Windows message in when **DAQEvent** happens.

**message** is a message you define. When **DAQEvent** happens, NI-DAQ passes **message** back to you. **message** can be any value.

In Windows, you can set **message** to a value including any Windows predefined messages (such as `WM_PAINT`). However, to define your own message, you can use any value ranging from `WM_USER` (0x400) to 0x7fff. This range is reserved by Microsoft for messages you define.

**callbackAddr** is the address of the user callback function. NI-DAQ calls this function when **DAQEvent** occurs. See `Config_DAQ_Event_Message` for restrictions on this parameter.

## Using This Function

To meet the positive trigger condition, the input signal must first go below (**trigLevel** – **windowSize**) and then go above **trigLevel**. On the other hand, to meet the negative trigger condition, the input signal must first go above (**trigLevel** + **windowSize**) and then go below **trigLevel**. Figure 2-3 shows these conditions.

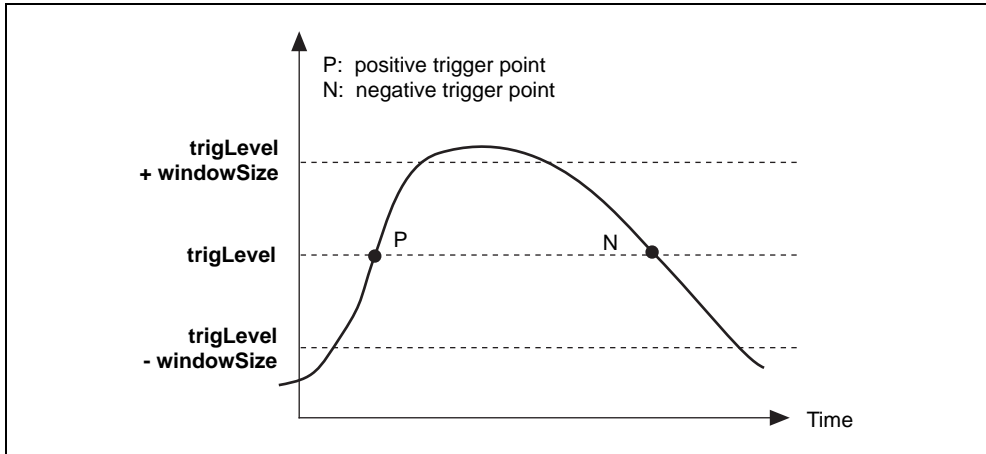


Figure 2-3. Analog Trigger Event

`Config_ATrig_Event_Message` is a high-level function for NI-DAQ event messaging. Because this function uses the current **inputRange** and **polarity** settings to translate **trigLevel** and **windowSize** into binary units, you should not call `AI_Configure` and change these settings after you have called `Config_ATrig_Event_Message`. For more information on NI-DAQ event messaging, see the low-level function `Config_DAQ_Event_Message`.

## Config\_DAQ\_Event\_Message

---

### Format

**status = Config\_DAQ\_Event\_Message (deviceNumber, mode, chanStr, DAQEvent, DAQTrigVal0, DAQTrigVal1, trigSkipCount, preTrigScans, postTrigScans, handle, message, callbackAddr)**

### Purpose

Notifies NI-DAQ applications when the status of an asynchronous DAQ operation (initiated by a call to DAQ\_Start, DIG\_Block\_Out, WFM\_Group\_Control, and so on) meets certain criteria you specify. Notification is done through the Windows PostMessage API and/or a callback function.

Certain **DAQEvent** options are best suited for low-speed transfers, because they require the processor to examine each data point as it is acquired or transferred. These options include **DAQEvents** 3 through 9. For these options, you cannot use DMA, and the processor has to do more work. The processing burden increases in direct proportion to the speed of the asynchronous operation.

### Parameters

#### Input

Name	Type	Description
<b>deviceNumber</b>	i16	assigned by configuration utility
<b>mode</b>	i16	add or remove a message
<b>chanStr</b>	STR	channel string
<b>DAQEvent</b>	i16	event criteria
<b>DAQTrigVal0</b>	i32	general-purpose trigger value
<b>DAQTrigVal1</b>	i32	general-purpose trigger value
<b>trigSkipCount</b>	u32	number of triggers to skip
<b>preTrigScans</b>	u32	number of scans before trigger event
<b>postTrigScans</b>	u32	number of scans after trigger event
<b>handle</b>	i16	handle



Name	Type	Description
<b>message</b>	i16	user-defined message
<b>callbackAddr</b>	u32	user callback function address

## Parameter Discussion

**mode** indicates whether to add a new message, remove an old message, or clear all messages associated with the given device.

- 0: Clear all messages associated with the device including messages configured with `Config_Alarm_Deadband` and `Config_ATrig_Event_Message`.
- 1: Add a new message.
- 2: Remove an existing message.

**chanStr** is a string description of the trigger analog channel(s) or digital port(s).

The channel string has one of the following formats:

`xn`

`SCn!MDn!CHn`

`AMn!n`

where

- `x`: AI for analog input channel.  
AO for analog output channel.  
DI for digital input channel.  
DO for digital output channel.  
CTR for counter.  
EXT for external timing input.
- `n`: Analog channel, digital port, counter, SCXI chassis, SCXI module number, or AMUX-64T device number
- `SC`: Keyword stands for SCXI chassis.
- `MD`: Keyword stands for SCXI module.
- `CH`: Keyword stands for SCXI channel.
- `AM`: Keyword stands for AMUX-64T device.
- `!`: Delimiter.

For example, the following string specifies an onboard analog input channel 5 as the trigger channel:

`AI5`

When using messaging with an SCXI module in Parallel mode, you must refer to the channels by their onboard channel numbers, not their SCXI channel numbers.

The following string specifies SCXI channel 1 in SCXI module 2 of SCXI chassis 4 as the trigger channel:

```
SC4!MD2!CH1
```

The following specifies AMUX channel 34 on the AMUX-64T device 1 as the trigger channel:

```
AM1!34
```

You can specify only one AMUX channel in the **chanStr** parameter.

You also can specify more than one channel as the trigger channel by listing all the channels when specifying channel number. For example, the following string specifies onboard analog input channel 2, 4, 6, and 8 as the trigger channels:

```
AI2, AI4, AI6, AI8
```

Also, if your channel numbers are consecutive, you can use the following shortcut to specify onboard analog input channels 2 through 8 as trigger channels:

```
AI2:8
```

**DAQEvent** indicates the event criteria for user notification. The following table describes the different types of messages available in NI-DAQ. A *scan* is defined as one pass through all the analog input or output channels or digital ports that are part of your asynchronous DAQ operation.



**Note** *If you are using a DAQ device in a remote SCXI configuration for digital I/O operations, DAQ events are not supported.*



**Note** *To use a DIO device with this function, your device must be in handshaking mode. Otherwise, NI-DAQ will not be able to search for the trigger condition for your DIO device.*

Table 2-17. DAQEvent Messages

DAQEvent Type	Code	Description of Message	Usable Devices <Usable Operation Families>
Acquire or generate <i>N</i> scans	0	Send exactly one message when an asynchronous operation has completed <b>DAQTrigVal0</b> scans.	MIO devices <AI, AO> AT-MIO-16D, AT-MIO-16DE-10 <DIO> AI devices <AI> Lab and 1200 Series devices <AI, AO, DIO> AT-AO-6/10 <AO> 516 and LPM devices, DAQCard-500/700 <AI> AT-DIO-32F and DIO 6533 devices<DIO> DSA <AI, AO> PC-DIO-24/PnP, DAQCard-DIO-24, PC-DIO-96/PnP, PCI-DIO-96, DAQPad-6507/6508 devices<DIO>
Every <i>N</i> scans	1	Send a message each time an asynchronous operation completes a multiple of <b>DAQTrigVal0</b> scans. <b>chanStr</b> indicates the type of channel or port, but the actual channel or port number is ignored.	MIO devices <AI, AO> AT-MIO-16D, AT-MIO-16DE-10 <DIO> AI devices <AI> Lab and 1200 Series devices <AI, AO, DIO> AT-AO-6/10 <AO> 516 and LPM devices, DAQCard-500/700 <AI> DSA <AI, AO> AT-DIO-32F, DIO 6533 (DIO-32HS), PC-DIO-24/PnP, PCI-DIO-96, DAQPad-6507/6508 devices <DIO>

Table 2-17. DAQEvent Messages (Continued)

DAQEvent Type	Code	Description of Message	Usable Devices <Usable Operation Families>
Completed operation or stopped by error	2	Send exactly one message when an asynchronous operation completes or is stopped for an error. <b>chanStr</b> indicates the type of channel or port, but the actual channel or port number is ignored.	MIO devices <AI, AO>  AT-MIO-16D, AT-MIO-16DE-10 <DIO>  AI devices <AI>  Lab and 1200 Series devices <AI, AO, DIO>  AT-AO-6/10 <AO>  516 and LPM devices, DAQCard-500/700 <AI>  DSA <AI, AO>  AT-DIO-32F and DIO 6533 devices <DIO>  PC-DIO-24/PnP, DAQCard-DIO-24, PC-DIO-96/PnP, DAQPad-6507/6508<DIO>
Voltage out of bounds	3	Send a message each time a data point from any channel in <b>chanStr</b> is outside of the voltage region bounded by <b>DAQTrigVal0</b> and <b>DAQTrigVal1</b> , where <b>DAQTrigVal0</b> ≥ <b>DAQTrigVal1</b> .	MIO and AI devices <AI>  Lab and 1200 Series devices <AI>  516 and LPM devices, DAQCard-500/700 <AI>
Voltage within bounds	4	Send a message each time a data point from any channel in <b>chanStr</b> is inside of the voltage region bounded by <b>DAQTrigVal0</b> and <b>DAQTrigVal1</b> , where <b>DAQTrigVal0</b> ≥ <b>DAQTrigVal1</b> .	MIO and AI devices <AI>  Lab and 1200 Series devices <AI>  516 and LPM devices, DAQCard-500/700 <AI>

Table 2-17. DAQEvent Messages (Continued)

DAQEvent Type	Code	Description of Message	Usable Devices <Usable Operation Families>
Analog positive slope triggering	5	Send a message when data from any channel in <b>chanStr</b> positively triggers on the hysteresis window specified by <b>DAQTrigVal0</b> and <b>DAQTrigVal1</b> , where <b>DAQTrigVal0</b> $\geq$ <b>DAQTrigVal1</b> . To positively trigger, data must first go below <b>DAQTrigVal1</b> and above <b>DAQTrigVal0</b> .	MIO and AI devices <AI> Lab and 1200 Series devices <AI> 516 and LPM devices, DAQCard-500/700 <AI>
Analog negative slope triggering	6	Send a message when data from any channel in <b>chanStr</b> negatively triggers on the hysteresis window specified by <b>DAQTrigVal0</b> and <b>DAQTrigVal1</b> , where <b>DAQTrigVal0</b> $\geq$ <b>DAQTrigVal1</b> . To negatively trigger, data must first go above <b>DAQTrigVal0</b> and below <b>DAQTrigVal1</b> .	MIO and AI devices <AI> Lab and 1200 Series devices <AI> 516 and LPM devices, DAQCard-500/700 <AI>
Digital pattern not matched	7	Send a message when data from any digital port in <b>chanStr</b> causes this statement to be true: data AND <b>DAQTrigVal0</b> NOT EQUAL <b>DAQTrigVal1</b> . Only the lower word is relevant.	Lab and 1200 Series devices (except an SCXI-1200 with remote SCXI) <DIO> DIO 6533 devices <DIO> PC-DIO-24/PnP, DAQCard-DIO-24, PC-DIO-96/PnP, PCI-DIO-96, DAQPad-6507/6508 <DIO> AT-MIO-16D, AT-MIO-16DE-10 <DIO>

Table 2-17. DAQEvent Messages (Continued)

DAQEvent Type	Code	Description of Message	Usable Devices <Usable Operation Families>
Digital pattern matched	8	Send a message when data from any digital port in <b>chanStr</b> causes this statement to be true: data AND <b>DAQTrigVal0</b> EQUAL <b>DAQTrigVal1</b> . Only the lower word is relevant	Lab and 1200 Series devices (except an SCXI-1200 with Remote SCXI) <DIO>  DIO 6533 devices <DIO>  PC-DIO-24/PnP, DAQCard-DIO-24, PC-DIO-96/PnP, PCI-DIO-96, DAQPad-6507/6508 <DIO>  AT-MIO-16D, AT-MIO-16DE-10 <DIO>
Counter pulse event	9	Send a message each time a pulse occurs in a timing signal. You can configure only one such event message at a time on a device, except on the PC-TIO-10, which can have two.	Am9513-based MIO devices <TIO>  PC-TIO-10 <TIO>

**DAQEvent=3** through **8**—These **DAQEvents** are for interrupt-driven data acquisition only. See `Set_DAQ_Device_Info` for switching between interrupt-driven and DMA-driven data acquisition.

If you are using a DIO 6533 device in pattern match trigger mode, you cannot select **DAQEvent 7** or **8**. Refer to the `DIG_Trigger_Config` function for an explanation of the pattern match trigger mode.

If you are using a Lab or 1200 Series device in pretrigger mode, NI-DAQ does not send any messages you configure for the end of the acquisition. These devices do not generate an interrupt at the end of the acquisition when in pretrigger mode.

**DAQEvent=9**—NI-DAQ sends a message when a transition (low to high or high to low) appears on a counter output or external timing signal I/O pin. Table 2-17 shows the possible counters and external timing signals that are valid for each supported device.

If you are using one of the counters on the PC-TIO-10 for your timing signal, you must connect the counter output to the EXTIRQ pin either externally through the I/O connector or with the two jumpers on the device. The jumpers connect the OUT2 and OUT7 pins with the EXTIRQ1 and EXTIRQ2 pins, respectively. NI-DAQ returns an error if you specify a counter that is in use. Use EXT1 for the **chanStr** parameter regardless of which EXTIRQ pin you are

using. The PC-TIO-10 can have two of these event messages configured at the same time, therefore you must specify which pin you want to use on the PC-TIO-10 with the **DAQTrigVal0** parameter.

**Table 2-18.** Valid Counters and External Timing Signals for DAQEvent = 9

Data Acquisition Device	I/O Pin	I/O Pin State Change
AT-MIO-16	OUT2	low to high
AT-MIO-16D	OUT2	low to high
AT-MIO-16F-5	OUT1, OUT2, OUT5, or EXTDACUPDATE*	high to low
AT-MIO-16X	OUT1, OUT2, OUT5, or EXTTMRTRIG*	high to low
AT-MIO-64F-5	OUT1, OUT2, OUT5, or EXTTMRTRIG*	high to low
PC-TIO-10	EXTIRQ1 or EXTIRQ2	high to low

To use **DAQEvent** = 9, you must configure the device for interrupt-driven waveform generation. This **DAQEvent** works by using the waveform generation timing system. Thus, you cannot use waveform generation or single point analog output with delayed update mode and this **DAQEvent** at the same time on the same device. Also, **DAQEvent** = 9 is not valid for the E Series devices.

**trigSkipCount** is the number of valid triggers NI-DAQ ignores. It can be any value greater than or equal to zero. For example, if **trigSkipCount** is 3, NI-DAQ notifies you when the fourth trigger occurs.

**preTrigScans** is the number of scans of data NI-DAQ collects before looking for the very first trigger. Setting **preTrigScans** to 0 causes NI-DAQ to look for the first trigger as soon as the DAQ process begins.

**postTrigScans** is the number of scans of data NI-DAQ collects after the triggers before notifying you. Setting **postTrigScans** to 0 causes event notification to happen as soon as the trigger occurs.

Refer to the following table for further details on usable parameters for each **DAQEvent** type.

**Table 2-19.** Usable Parameters for Different DAQ Events Codes

Parameter	DAQEvent									
	0	1	2	3	4	5	6	7	8	9
<b>chanStr</b> (where <i>n</i> and <i>m</i> are numbers)	<i>AIn, DIn, DOn, SCn!..., AMn!m, AOn</i>	<i>AIn, DIn, DOn, SCn!..., AMn!m, AOn</i>	<i>AIn, AOn, DIn, DOn, SCn!..., AMn!m</i>	<i>AIn, SCn!..., AMn!m</i>	<i>AIn, SCn!..., AMn!m</i>	<i>AIn, SCn!..., AMn!m</i>	<i>AIn, SCn!..., AMn!m</i>	<i>DIn, DOn</i>	<i>DIn, DOn</i>	<i>CTRn, EXT1</i>
<b>DAQTrigVal0</b>	no. of scans, must be greater than 0	no. of scans, must be greater than 0 (see note below)	ignored	upper bound for analog alarm region (binary), must be greater than or equal to <b>DAQTrigVal1</b>	upper bound for analog alarm region (binary), must be greater than or equal to <b>DAQTrigVal1</b>	upper bound for hysteresis window (binary), must be greater than or equal to <b>DAQTrigVal1</b>	upper bound for hysteresis window (binary), must be greater than or equal to <b>DAQTrigVal1</b>	digital pattern mask (decimal)	digital pattern mask (decimal)	EXTIRQ no. (1 or 2) if <b>chanStr</b> = <b>EXTn</b> for the PC-TIO-10, otherwise ignored
<b>DAQTrigVal1</b>	ignored	ignored	ignored	lower bound for analog alarm region (binary)	lower bound for analog alarm region (binary)	lower bound for hysteresis window (binary)	lower bound for hysteresis window (binary)	digital pattern not to match (decimal)	digital pattern to match (decimal)	ignored
<b>trigSkipCount</b>	ignored	ignored	ignored	ignored	ignored	no. of triggers to skip	no. of triggers to skip	ignored	ignored	ignored
<b>preTrigScans</b>	ignored	ignored	ignored	ignored	ignored	no. of scans before trigger condition is met	no. of scans before trigger condition is met	ignored	ignored	ignored
<b>postTrigScans</b>	ignored	ignored	ignored	ignored	ignored	no. of scans after trigger condition is met	no. of scans after trigger condition is met	ignored	ignored	ignored



For the parameters that are ignored, set them to 0.

For **DAQEvent** = 1, **DAQTrigVal0** must be greater than zero. If you are using DMA with double buffers or a pretrigger data acquisition, **DAQTrigVal0** must be an even divisor of the buffer size in scans.

For **DAQEvent** = 1 on an analog output channel, **DAQTrigVal0** must always be an even divisor of the buffer size or a multiple of it.

**handle** is the handle to the window you want to receive a Windows message in when **DAQEvent** happens. If **handle** is 0, no Windows messages are sent.

**message** is a message you define. When **DAQEvent** happens, NI-DAQ passes **message** back to you. **message** can be any value.

**callbackAddr** is the address of the user callback function. NI-DAQ calls this function when **DAQEvent** occurs. If you do not want to use a callback function, set **callbackAddr** to 0.

## Using This Function

This function notifies your application when **DAQEvent** occurs. Using **DAQEvents** eliminates continuous polling of asynchronous operations through NI-DAQ functions.

For example, if you have a double-buffered DAQ application, instead of calling `DAQ_DB_HalfReady` continuously, you can call `Config_DAQ_Event_Message` and set **DAQEvent** to 1 and **DAQTrigVal0** to be one-half your buffer size in units of scans. Then, NI-DAQ notifies your application when it is time to call `DAQ_DB_Transfer`. The same concept applies to digital input/output block functions and analog output functions.

To define a message, call `Config_DAQ_Event_Message` before starting your DAQ process. You can associate more than one message to the same device by calling `Config_DAQ_Event_Message` as many times as you need to.

After you define a message, it remains active until you call `Init_DA_Brds` or `Config_DAQ_Event_Message` to remove messages. To remove a specific message, call `Config_DAQ_Event_Message` with **mode** set to 2. When removing a specific message, make sure to provide all the information defining the message, such as **chanStr** (**SCXIchassisID**, **moduleSlot**, **chanType**, **chan**), **DAQEvent**, **DAQTrigVal0**, **DAQTrigVal1**, **trigSkipCount**, **preTrigScans**, **postTrigScans**, **handle**, **message**, and **callbackAddr**.

To remove all messages associated with the device, call `Config_DAQ_Event_Message` with **mode** set to zero and with all other arguments except **deviceNumber** set to zero.

Event notification is done through the Windows API function `PostMessage` and/or a callback function that you define.

When any trigger event happens, NI-DAQ calls `PostMessage` as follows:

```
int PostMessage (HWND handle, UINT message, WPARAM wParam,
                LPARAM lParam)
```

**handle** and **message** are the same handle and message as previously defined. The least significant byte of **wParam** is the device and the second least significant byte of **wParam** is a boolean flag, **doneFlag**, indicating whether the DAQ process has ended.

**doneFlag** = 0: Asynchronous operation is still running.

**doneFlag** = 1: Asynchronous operation has stopped.

**lParam** contains the number of the scan in which **DAQEvent** occurred.

The following is an example `WindowProc` routine, written in C:

```
LRESULT CALLBACK WindowProc(HWND hWnd, UINT uMsgId, WPARAM wParam, LPARAM
lParam)
{
    static unsigned long int uNIDAQeventCount = 0;
    short DAQeventDevice;
    short doneFlag;
    long scansDone;
    switch (uMsgId)
    {
        case WM_PAINT:
            //..handle this message...
            break;
        case WM_DESTROY:
            //..handle this message...
            break;
        case WM_NIDAQ_MSG:
            /******
            //put your NI-DAQ Message handling here!
            /******

            // increment static counter
            uNIDAQeventCount++;
            DAQeventDevice = (wParam & 0x00FF);
            doneFlag = (wParam & 0xFF00) >> 8;
            scansDone = lParam;

            //..handle this message...
            return 0;
            break;
    }
}
```

```

    default:
        // handle other usual messages...
        return DefWindowProc (hWnd, uMsgId, wParam, lParam);
}
}

```

## Callback Functions

To enable the callback function, you need to provide the address of the callback routine in **callbackAddr**. Therefore, you must write your application in a programming language that supports function pointers, such as C or Assembly.

If you are using LabWindows/CVI, your callback function is called by means of messaging. No special precautions or prototypes are required.

### Callback Functions in Windows 95 and Windows NT

Callbacks are easy and safe to use in Windows 95 and Windows NT. Your callback function is called in the foreground and in the context of your process. You can access your global data, make system calls, or call NI-DAQ from your callback function. However, succeeding events will not be handled until your callback has returned. The time delay between the event and notification (also known as *latency*) is highly variable and depends largely on how loaded your system is. Latency always will be less with a callback than a Windows message because you avoid the latency of the Windows messaging system.

Latency is less deterministic with packet-based buses, such as the Universal Serial Bus (USB).

Your callback function should use standard C calling conventions. Do not use the CALLBACK function type. Here is a sample prototype:

```

void myCallback (HWND hwnd, UINT message, WPARAM wParam, LPARAM
lparam)

```

## Configure\_HW\_Analog\_Trigger

---

### Format

**status = Configure\_HW\_Analog\_Trigger (deviceNumber, onOrOff, lowValue, highValue, mode, trigSource)**

### Purpose

Configures the hardware analog trigger. The hardware analog triggering circuitry produces a digital trigger that you can use for any of the signals available through the `Select_Signal` function by selecting **source** = `ND_PFI_0`).

### Parameters

#### Input

Name	Type	Description
<b>deviceNumber</b>	i16	assigned by configuration utility
<b>onOrOff</b>	u32	turns the analog trigger on or off
<b>lowValue</b>	i32	specifies the low level used for analog triggering
<b>highValue</b>	i32	specifies the high level used for analog triggering
<b>mode</b>	u32	the way the triggers are generated
<b>trigSource</b>	u32	the source of the signal used for triggering

### Parameter Discussion

Legal ranges for the **onOrOff**, **mode**, and **trigSource** parameters are given in terms of constants that are defined in a header file. The header file you should use depends on which of the following languages you are using:

- C programmers—`NIDAQCNS.H` (`DATAACQ.H` for LabWindows/CVI)
- BASIC programmers—`NIDAQCNS.INC` (Visual Basic for Windows programmers should refer to the *Programming Language Considerations* section in Chapter 1, *Using the NI-DAQ Functions*, for more information.)
- Pascal programmers—`NIDAQCNS.PAS`

**onOrOff** informs NI-DAQ whether you want to turn the analog trigger on or off. Legal values for this parameter are `ND_ON` and `ND_OFF`.


**lowValue** and **highValue** specify the levels you want to use for triggering. For E Series devices, the legal range for the two values is 0 to 255 (0–4,095 for 16-bit boards). In addition, **lowValue** must be less than **highValue**. The voltage levels corresponding to **lowValue** and **highValue** are as follows:


- When **trigSource** = `ND_PFI_0`, 0 corresponds to –10 V and 255 (4,095 for the 16-bit boards) corresponds to +10 V; values between 0 and 255 (4,095 for 16-bit boards) are distributed evenly between –10 V and +10 V. You can use `ND_PFI_0` as the analog signal you are triggering off of at the same time you designate `ND_PFI_0` as a source for a `Select_Signal` **signal**.
- When **trigSource** = `ND_THE_AI_CHANNEL` and the channel is in bipolar mode, 0 corresponds to –5 V, 255 corresponds to +5 V; values between 0 and 255 are evenly distributed between –5 V and +5 V. For 61XX devices, 0 corresponds to –10 V, 255 corresponds to 10 V. (For the 16-bit boards: 0 corresponds to –10 V, 4,095 corresponds to +10 V, and values between 0 and 4,095 are evenly distributed between –10 V and +10 V.) When **trigSource** = `ND_THE_AI_CHANNEL` and the channel is in unipolar mode, 0 corresponds to 0 V, 255 (4,095 for the 16-bit boards) corresponds to +10 V; values between 0 and 255 (4,095 for the 16-bit boards) are evenly distributed between 0 V and +10 V.

See the end of this section for an example calculation for **lowValue**.

For DSA devices, the legal range for **lowValue** and **highValue** is –65,536 to +65,535. These values correspond to the lower limit of the voltage range to the higher limit of the voltage range for the current configuration of the trigger channel. For example, when the channel is configured for 0 dB of gain, –65,536 corresponds to –10 V and +65,535 corresponds to +10 V.

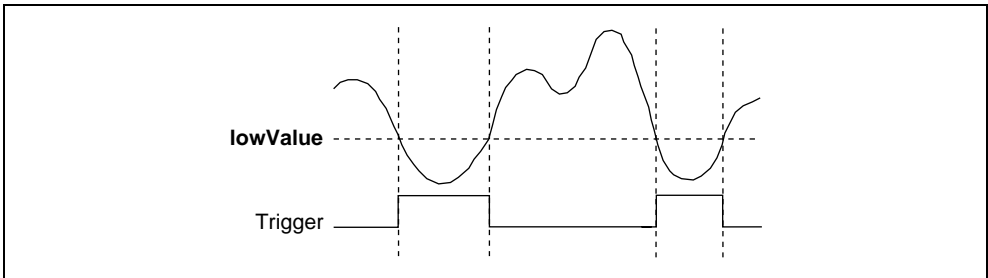
**mode** tells NI-DAQ how you want analog triggers to be converted into digital triggers that the onboard hardware can use for timing.

 **Note** *The PCI-6110E and PCI-6111E can use any of the analog input channels for the **trigSource**. For these devices set **trigSource** to the channel number you want, instead of the constant `ND_THE_AI_CHANNEL`.*

 **Note** *This also applies to the PCI-445X and PCI-455X devices.*

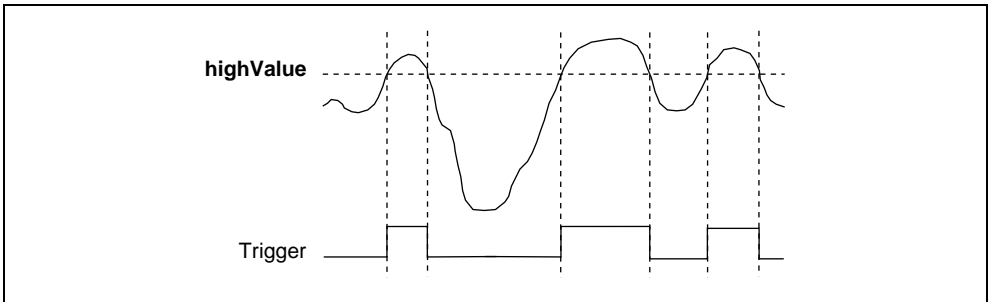
The following paragraphs and figures show all of the available modes and illustrations of corresponding trigger generation scenarios. Values specified by **highValue** and **lowValue** are represented using dashed lines, and the signal used for triggering is represented using a solid line.

- **ND\_BELOW\_LOW\_LEVEL**—The trigger is generated when the signal value is less than the **lowValue**. **highValue** is unused.



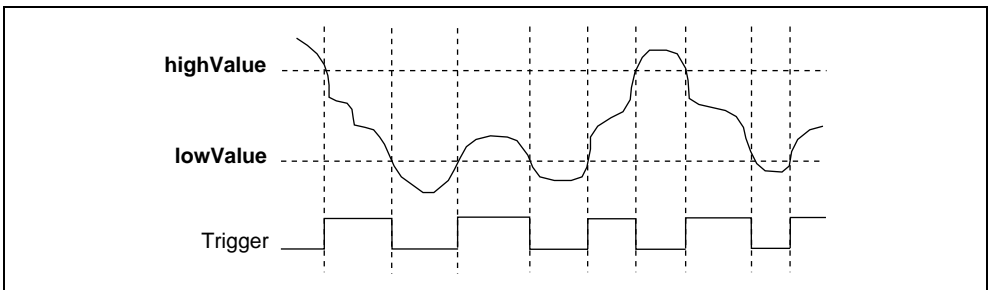
**Figure 2-4.** ND\_BELOW\_LOW\_LEVEL

- **ND\_ABOVE\_HIGH\_LEVEL**—The trigger is generated when the signal value is greater than the **highValue**. **lowValue** is unused.



**Figure 2-5.** ND\_ABOVE\_HIGH\_LEVEL

- **ND\_INSIDE\_REGION**—The trigger is generated when the signal value is between the **lowValue** and the **highValue**.



**Figure 2-6.** ND\_INSIDE\_REGION

- **ND\_HIGH\_HYSTERESIS**—The trigger is generated when the signal value is greater than the **highValue**, with hysteresis specified by **lowValue**.

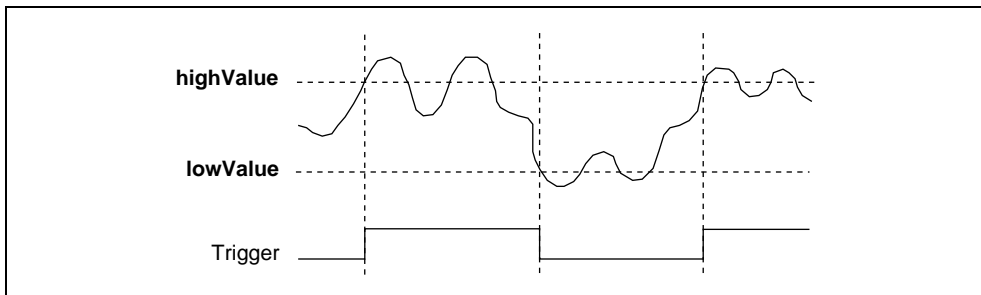


Figure 2-7. ND\_HIGH\_HYSTERESIS

- **ND\_LOW\_HYSTERESIS**—The trigger is generated when the signal value is less than the **lowValue**, with hysteresis specified by **highValue**.

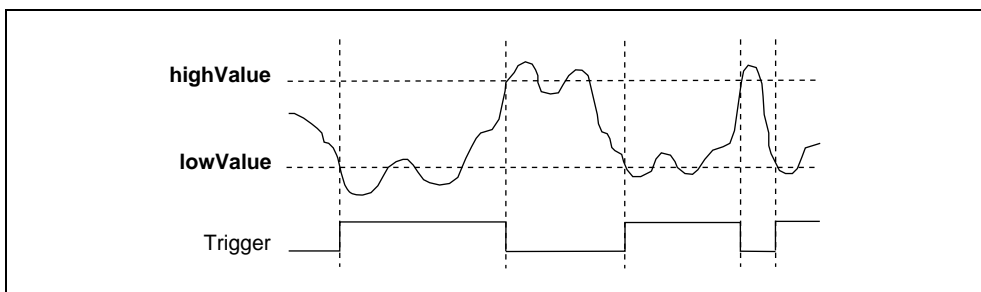


Figure 2-8. ND\_LOW\_HYSTERESIS

Use the **trigSource** parameter to specify the source of the trigger you want to use. For E Series devices, the legal values are **ND\_PFI\_0** and **ND\_THE\_AI\_CHANNEL**.

Set **trigSource** to **ND\_PFI\_0** if you want the trigger to come from the PFI0/TRIG1 pin. You need to connect the analog signal you want to use for triggering to the PFI0/TRIG1 pin. To generate triggers based on an analog signal that takes a wide range of values between  $-10$  V and  $+10$  V, you should use this setting.

You should select **ND\_THE\_AI\_CHANNEL** for **trigSource** only to generate triggers based on a low-range analog signal, if you are concerned about signal quality and are using a shielded cable, or if you want the trigger to be based on an analog input channel in the differential mode. Using this selection is non-trivial.

If you set **trigSource** to `ND_THE_AI_CHANNEL`, you can use the signal connected to one of the analog input pins for triggering. In this case, the signal is amplified on the device before it is used for trigger generation. You can use this source selection under the following conditions:

- You want to perform data acquisition from a single analog input channel (the `DAQ` family of functions). You only can use the channel you are acquiring from for analog triggering.
- You want to perform data acquisition from more than one analog input channel (a combination of the `DAQ` and `SCAN` families of functions). The only analog input channel you can use as the start trigger is the first channel from your list of channels. You cannot use this form of the analog trigger for the stop trigger in case of pretriggered data acquisition.



**Note** *The PCI-6110E and PCI-6111E can use any analog input channel.*

- You do not want to perform any analog input operations (the `AI`, `DAQ`, and `SCAN` families of functions). You must use `AI_Setup` to select the analog input channel you want to use and the gain of the instrumentation amplifier. You also can use `AI_Configure` to alter the configuration of the analog input channel.
- You want to use `AI_Check`, and you want to use the analog trigger for conversion timing. You do not have to perform any special steps.

The reason for using these constraints is that if you are scanning among several analog input channels, signals from those channels are multiplexed in time, and the analog triggering circuitry is unable to distinguish between signals from individual channels in this case.

For DSA devices only, any of the analog input channels can be the source of the analog trigger, even channels that are not part of the channel list set in `DAQ_Start` or `SCAN_Setup`. Set **trigSource** to the channel number of the channel to monitor for the analog trigger.

## Using This Function

When you use this function, you activate the onboard analog triggering hardware. This onboard hardware generates a digital trigger that the `DAQ-STC` then uses for timing and control. To use the analog trigger, you need to use this function and the `Select_Signal` function. To use analog triggering, use as much hysteresis as your application allows because the circuitry used for this purpose is very noise-sensitive.

For E series devices, when you use `Select_Signal`, set **source** to `ND_PFI_0` for your signal, and set **sourceSpec** as appropriate. Notice that the two polarity selections give you timing control in addition to the five triggering modes listed here. For DSA devices, when you use `Select_Signal`, set **source** to `ND_ATC_OUT` for your signal, and set **sourceSpec** to `ND_DONT_CARE`. NI-DAQ will route the analog trigger circuit output as appropriate for the device.



For example, if you set **source** to `ND_THE_AI_CHANNEL`, the channel you are interested in is in bipolar mode, you want a gain of 100, and you want to set the voltage window for triggering to +35 mV and +45 mV for your original signal (that is, signal before amplification by the onboard amplifier), you should make the following programming sequence:

12-bit boards:

```
status = Configure_HW_Analog_Trigger (deviceNumber, ND_ON, 218, 243, mode,  
ND_THE_AI_CHANNEL)
```

```
Status = Select_Signal (deviceNumber, ND_IN_START_TRIGGER, ND_PFI_0,  
ND_LOW_TO_HIGH)
```

16-bit boards:

```
status = Configure_HW_Analog_Trigger (deviceNumber, ND_ON, 2764, 2969, mode,  
ND_THE_AI_CHANNEL)
```

```
status = Select_Signal (deviceNumber, ND_IN_START_TRIGGER, ND_PFI_0,  
ND_LOW_TO_HIGH)
```

To calculate **lowValue** in the previous example, do the following:

1. Multiply 35 mV by 100 to adjust for the gain to get 3.5 V.
2. Use the following formula to map the 3.5 V from the -5 V to +5 V scale to a value on the 0 to 255 (0-4,095 for the 16-bit boards) scale:

$$\text{value} = (3.5/5 + 1) * 128 = 218 \text{ (for the 0 to 255 case)}$$

Use the following formula to map the 3.5 V from the -10 V to +10 V scale to a value on the 0 to 4,095 scale:

$$\text{value} = (3.5/10 + 1) * 2,048 = 2,764 \text{ (for the 0 to 4,095 case)}$$

In general, the scaling formulas are as follows:

- For an analog input channel in the bipolar mode:

$$\text{12-bit boards: value} = (\text{voltage}/5 + 1) * 128$$

$$\text{16-bit boards: value} = (\text{voltage}/10 + 1) * 2048$$

- For an analog input channel in the unipolar mode:

$$\text{12-bit boards: value} = (\text{voltage}/10) * 256$$

$$\text{16-bit boards: value} = (\text{voltage}/10) * 4096$$

- For the PFI0/TRIG1 pin:

$$\text{12-bit boards: value} = (\text{voltage}/10 + 1) * 128$$

$$\text{16-bit boards: value} = (\text{voltage}/10 + 1) * 2048$$

If you apply any of the formulas and get a value equal to 256, use the value 255 instead; if you get 4,096 with the 16-bit boards, use 4,095 instead.

You can use the following programming sequence to set up an acquisition to be triggered using the hardware analog trigger, where the trigger source is the PFI0/TRIG1 pin:

```
status = Configure_HW_Analog_Trigger (deviceNumber, ND_ON, lowValue,  
highValue, mode, ND_PFI_0)
```

```
status = Select_Signal (deviceNumber, ND_IN_START_TRIGGER, ND_PFI_0,  
ND_LOW_TO_HIGH)
```

## CTR\_Config

---

### Format

**status = CTR\_Config (deviceNumber, ctr, edgeMode, gateMode, outType, outPolarity)**

### Purpose

Specifies the counting configuration to use for a counter.

### Parameters

#### Input

Name	Type	Description
<b>deviceNumber</b>	i16	assigned by configuration utility
<b>ctr</b>	i16	counter number
<b>edgeMode</b>	i16	count rising or falling edges
<b>gateMode</b>	i16	gating mode to be used
<b>outType</b>	i16	type of output generated
<b>outPolarity</b>	i16	output polarity

### Parameter Discussion

**ctr** is the counter number.

Range: 1, 2, or 5 for an MIO device except the E Series devices.  
1 through 10 for a PC-TIO-10.

**edgeMode** indicates which edge of the input signal that the counter should count. **edgeMode** must be either 0 or 1.

- 0: counter counts rising edges.
- 1: counter counts falling edges.

**gateMode** selects the gating mode to be used by the counter. There are eight different gating modes. Each gating mode has been assigned a number between zero and 7. The available gating modes are as follows:

- 0: No gating used.
- 1: High-level gating of counter **ctr** used.
- 2: Low-level gating of counter **ctr** used.
- 3: Edge-triggered gating used—rising edge of counter **ctr**.
- 4: Edge-triggered gating used—falling edge of counter **ctr**.
- 5: Active high on terminal count of next lower-order counter.

- 6: Active high on gate of next higher-order counter.
- 7: Active high on gate of next lower-order counter.
- 8: Special gating.

**outType** selects which type of output is to be generated by the counter. The counters generate two types of output signals: TC toggled output and TC pulse output.

- 0: TC toggled output type used.
- 1: TC pulse output type used.

**outPolarity** selects the output polarity used by the counter.

- 0: Positive logic output.
- 1: Negative logic (inverted) output.

## Using This Function

If you select TC pulse output type, **outPolarity** = 0 means that NI-DAQ generates active logic-high terminal count pulses. **outPolarity** = 1 means that NI-DAQ generates active logic-low terminal count pulses. Similarly, if you select TC toggled output type, then **outPolarity** = 0 means the OUT signal toggles from low to high on the first TC. **outPolarity** = 1 means the OUT signal toggles from high to low on the first TC.

`CTR_Config` saves the parameters in the configuration table for the specified counter. NI-DAQ uses this configuration table when the counter is set up for an event-counting, pulse output, or frequency output operation. You can use `CTR_Config` to take advantage of the many counter modes.

The default settings for the counter configuration modes are as follows:

- edgeMode** = 0: Counter counts rising edges.
- gateMode** = 0: No gating used.
- outType** = 0: TC toggled output type used.
- outPolarity** = 0: Positive logic output used.

To change the counter configuration from this default setting, you must call `CTR_Config` and indicate which configuration you want before initiating any other counter operation.

Counter configuration settings applied through this function persist when waveform generation functions use the same counter. For example, to externally trigger a waveform generation option, use this function to change the **gateMode** to 1 (high-level gating), and then call the waveform generation functions. The waveform generation is delayed until a high-level signal appears on the gate pin on the I/O connector. Notice that this is really not a trigger signal but is a gating signal, as the waveform generation pauses if the gate goes low at any time. Because the Am9513 counter/timer chip has certain limitations, you cannot use **gateModes** 3 and 4. You are responsible for producing a signal that stays high for the duration of the waveform generation operation.

## CTR\_EvCount

---

### Format

**status = CTR\_EvCount (deviceNumber, ctr, timebase, cont)**

### Purpose

Configures the specified counter for an event-counting operation and starts the counter.

### Parameters

#### Input

Name	Type	Description
<b>deviceNumber</b>	i16	assigned by configuration utility
<b>ctr</b>	i16	counter number
<b>timebase</b>	i16	timebase value
<b>cont</b>	i16	whether counting continues

### Parameter Discussion

**ctr** is the counter number.

Range: 1, 2, or 5 for an MIO device except the E Series devices.  
1 through 10 for a PC-TIO-10.

**timebase** selects the timebase, or resolution, to be used by the counter. **timebase** has the following possible values:

- 1: Internal 5 MHz clock used as timebase (200 ns resolution) (AT-MIO-16F-5, AT-MIO-64F-5, AT-MIO-16X, and PC-TIO-10 only).
- 0: TC signal of **ctr**-1 used as timebase.
- 1: Internal 1 MHz clock used as timebase (1  $\mu$ s resolution).
- 2: Internal 100 kHz clock used as timebase (10  $\mu$ s resolution).
- 3: Internal 10 kHz clock used as timebase (100  $\mu$ s resolution).
- 4: Internal 1 kHz clock used as timebase (1 ms resolution).
- 5: Internal 100 Hz clock used as timebase (10 ms resolution).
- 6: SOURCE1 used as timebase if  $1 \leq \mathbf{ctr} \leq 5$  or SOURCE 6 used as timebase if  $6 \leq \mathbf{ctr} \leq 10$ .
- 7: SOURCE2 used as timebase if  $1 \leq \mathbf{ctr} \leq 5$  or SOURCE 7 used as timebase if  $6 \leq \mathbf{ctr} \leq 10$ .
- 8: SOURCE3 used as timebase if  $1 \leq \mathbf{ctr} \leq 5$  or SOURCE 8 used as timebase if  $6 \leq \mathbf{ctr} \leq 10$ .
- 9: SOURCE4 used as timebase if  $1 \leq \mathbf{ctr} \leq 5$  or SOURCE 9 used as timebase if  $6 \leq \mathbf{ctr} \leq 10$ .

- 10: SOURCE5 used as timebase if  $1 \leq \text{ctr} \leq 5$  or SOURCE 10 used as timebase if  $6 \leq \text{ctr} \leq 10$ .
- 11: GATE 1 used as timebase if  $1 \leq \text{ctr} \leq 5$  or GATE6 used as timebase if  $6 \leq \text{ctr} \leq 10$ .
- 12: GATE 2 used as timebase if  $1 \leq \text{ctr} \leq 5$  or GATE7 used as timebase if  $6 \leq \text{ctr} \leq 10$ .
- 13: GATE 3 used as timebase if  $1 \leq \text{ctr} \leq 5$  or GATE8 used as timebase if  $6 \leq \text{ctr} \leq 10$ .
- 14: GATE 4 used as timebase if  $1 \leq \text{ctr} \leq 5$  or GATE9 used as timebase if  $6 \leq \text{ctr} \leq 10$ .
- 15: GATE 5 used as timebase if  $1 \leq \text{ctr} \leq 5$  or GATE10 used as timebase if  $6 \leq \text{ctr} \leq 10$ .

Set **timebase** to zero to concatenate counters. Set **timebase** to 1 through 5 for the counter to count one of the five available internal signals. Set **timebase** to 6 through 15 (except 10 for the PC-TIO-10) to provide an external signal to a counter. This external signal is then the signal NI-DAQ counts for event counting.

**cont** indicates whether counting continues after the counter reaches 65,535 and rolls over to zero. **cont** can be either zero or 1. If **cont** = 0, event counting stops when the counter reaches 65,535 and rolls over, in which case an overflow condition is registered. If **cont** = 1, event counting continues when the counter rolls over and no overflow condition is registered. **cont** = 1 is useful when more than one counter is concatenated for event counting.

## Using This Function

CTR\_EvCount configures the specified counter for an event-counting operation. The function configures the counter to count up from zero and to use the gating mode, edge mode, output type, and polarity as specified by the CTR\_Config call.



**Note** *Edge gating mode does not operate properly during event counting if **cont** = 1. If **cont** = 1, use level gating modes or no-gating mode.*

Applications for CTR\_EvCount are discussed in *Event-Counting Applications* in Chapter 3, *Software Overview*, of the *NI-DAQ User Manual for PC Compatibles*.

## CTR\_EvRead

---

### Format

**status = CTR\_EvRead (deviceNumber, ctr, overflow, count)**

### Purpose

Reads the current counter total without disturbing the counting process and returns the count and overflow conditions.

### Parameters

#### Input

Name	Type	Description
<b>deviceNumber</b>	i16	assigned by configuration utility
<b>ctr</b>	i16	counter number

#### Output

Name	Type	Description
<b>overflow</b>	i16	overflow state of the counter
<b>count</b>	u16	current total of the specified counter

### Parameter Discussion

**ctr** is the counter number.

Range: 1, 2, or 5 for an MIO device except the E Series devices.  
1 through 10 for a PC-TIO-10.

**overflow** returns the overflow state of the counter. A counter overflows if it counts up to 65,535 and rolls over to zero on the next count. If **overflow** = 0, no overflow has occurred. If **overflow** = 1, an overflow occurred. See the [Special Considerations for Overflow Detection](#) section later in this function.

**count** returns the current total of the specified counter. **count** can be between zero and 65,535. **count** represents the number of edges (either falling or rising edges, not both) that have occurred since the counter started counting.



**Note** *C Programmers—overflow and count are pass-by-reference parameters.*

## Using This Function

CTR\_EvRead reads the current value of the counter without disturbing the counting process and returns the value in **count**. CTR\_EvRead also performs overflow detection and returns the overflow status in **overflow**. Overflow detection and the significance of **count** depend on the counter configuration.

## Special Considerations for Overflow Detection

For NI-DAQ to detect an overflow condition, you must configure the counter for TC toggled output type and positive output polarity, and then you must configure the counter to stop counting on overflow (**count** = 0 in the CTR\_EvCount call). If these conditions are not met, the value of **overflow** is meaningless. If more than one counter is concatenated for event-counting applications, you should configure the lower-order counters to continue counting when overflow occurs, and overflow detection is only meaningful for the highest order counter. **count**, returned by CTR\_EvRead for the lower-order counters, then represents the module 65,536 event count. See *Event-Counting Applications* in Chapter 3, *Software Overview*, in the *NI-DAQ User Manual for PC Compatibles* for more information.



## CTR\_FOUT\_Config

---

### Format

**status = CTR\_FOUT\_Config (deviceNumber, FOUT\_port, mode, timebase, division)**

### Purpose

Disables or enables and sets the frequency of the 4-bit programmable frequency output.

### Parameters

#### Input

Name	Type	Description
<b>deviceNumber</b>	i16	assigned by configuration utility
<b>FOUT_port</b>	i16	frequency output port
<b>mode</b>	i16	enable or disable the programmable frequency output
<b>timebase</b>	i16	timebase value
<b>division</b>	i16	divide-down factor for generating the clock

### Parameter Discussion

**FOUT\_port** is the frequency output port to be programmed.

- 1: For FOUT1 on the PC-TIO-10 or FOUT on the MIO device, except the E Series devices.
- 2: For FOUT2 on the PC-TIO-10.

**mode** selects whether to enable or disable the programmable frequency output. **mode** can be 0 or 1.

- 0: The frequency output signal is turned off to a low-logic state.
- 1: The frequency output signal is enabled.

If **mode** = 0, none of the following parameters apply.

**timebase** selects the timebase, or resolution, to be used by the programmable frequency output. **timebase** has the following possible values:

- 1: Internal 5 MHz clock used as timebase (200 ns resolution) (AT-MIO-16F-5, AT-MIO-64F-5, AT-MIO-16X, and PC-TIO-10 only).
- 1: Internal 1 MHz clock used as timebase (1  $\mu$ s resolution).
- 2: Internal 100 kHz clock used as timebase (10  $\mu$ s resolution).
- 3: Internal 10 kHz clock used as timebase (100  $\mu$ s resolution).

- 4: Internal 1 kHz clock used as timebase (1 ms resolution).
- 5: Internal 100 Hz clock used as timebase (10 ms resolution).
- 6: SOURCE1 used as timebase if **FOUT\_port** = 1 or SOURCE 6 used as timebase if **FOUT\_port** = 2.
- 7: SOURCE2 used as timebase if **FOUT\_port** = 1 or SOURCE 7 used as timebase if **FOUT\_port** = 2.
- 8: SOURCE3 used as timebase if **FOUT\_port** = 1 or SOURCE 8 used as timebase if **FOUT\_port** = 2.
- 9: SOURCE4 used as timebase if **FOUT\_port** = 1 or SOURCE 9 used as timebase if **FOUT\_port** = 2.
- 10: SOURCE5 used as timebase if **FOUT\_port** = 1 or SOURCE 10 used as timebase if **FOUT\_port** = 2.
- 11: GATE 1 used as timebase if **FOUT\_port** = 1 or GATE6 used as timebase if **FOUT\_port** = 2.
- 12: GATE 2 used as timebase if **FOUT\_port** = 1 or GATE7 used as timebase if **FOUT\_port** = 2.
- 13: GATE 3 used as timebase if **FOUT\_port** = 1 or GATE8 used as timebase if **FOUT\_port** = 2.
- 14: GATE 4 used as timebase if **FOUT\_port** = 1 or GATE9 used as timebase if **FOUT\_port** = 2.
- 15: GATE 5 used as timebase if **FOUT\_port** = 1 or GATE10 used as timebase if **FOUT\_port** = 2.

**division** is the divide-down factor for generating the clock. The clock frequency is then equal to **(timebase frequency)/division**.

Range: 1 through 16.

## Using This Function

Generates a 50% duty-cycle output clock at the programmable frequency output signal FOUT if mode = 1; otherwise, the FOUT signal is a low-logic state. The frequency of the FOUT signal is the frequency corresponding to **timebase** divided by the **division** factor.

## CTR\_Period

---

### Format

**status = CTR\_Period (deviceNumber, ctr, timebase)**

### Purpose

Configures the specified counter for period or pulse-width measurement.

### Parameters

#### Input

Name	Type	Description
<b>deviceNumber</b>	i16	assigned by configuration utility
<b>ctr</b>	i16	counter number
<b>timebase</b>	i16	timebase value

### Parameter Discussion

**ctr** is the counter number.

Range: 1, 2, or 5 for an MIO device except the E Series devices.  
1 through 10 for a PC-TIO-10.

**timebase** selects the timebase, or resolution, to be used by the counter. **timebase** has the following possible values:

- 1: Internal 5 MHz clock used as timebase (200 ns resolution) (AT-MIO-16F-5, AT-MIO-64F-5, AT-MIO-16X, and PC-TIO-10 only).
- 0: TC signal of **ctr**-1 used as timebase.
- 1: Internal 1 MHz clock used as timebase (1  $\mu$ s resolution).
- 2: Internal 100 kHz clock used as timebase (10  $\mu$ s resolution).
- 3: Internal 10 kHz clock used as timebase (100  $\mu$ s resolution).
- 4: Internal 1 kHz clock used as timebase (1 ms resolution).
- 5: Internal 100 Hz clock used as timebase (10 ms resolution).
- 6: SOURCE1 used as timebase if  $1 \leq \mathbf{ctr} \leq 5$  or SOURCE 6 used as timebase if  $6 \leq \mathbf{ctr} \leq 10$ .
- 7: SOURCE2 used as timebase if  $1 \leq \mathbf{ctr} \leq 5$  or SOURCE 7 used as timebase if  $6 \leq \mathbf{ctr} \leq 10$ .
- 8: SOURCE3 used as timebase if  $1 \leq \mathbf{ctr} \leq 5$  or SOURCE 8 used as timebase if  $6 \leq \mathbf{ctr} \leq 10$ .
- 9: SOURCE4 used as timebase if  $1 \leq \mathbf{ctr} \leq 5$  or SOURCE 9 used as timebase if  $6 \leq \mathbf{ctr} \leq 10$ .

- 10: SOURCE5 used as timebase if  $1 \leq \text{ctr} \leq 5$  or SOURCE 10 used as timebase if  $6 \leq \text{ctr} \leq 10$ .
- 11: GATE 1 used as timebase if  $1 \leq \text{ctr} \leq 5$  or GATE6 used as timebase if  $6 \leq \text{ctr} \leq 10$ .
- 12: GATE 2 used as timebase if  $1 \leq \text{ctr} \leq 5$  or GATE7 used as timebase if  $6 \leq \text{ctr} \leq 10$ .
- 13: GATE 3 used as timebase if  $1 \leq \text{ctr} \leq 5$  or GATE8 used as timebase if  $6 \leq \text{ctr} \leq 10$ .
- 14: GATE 4 used as timebase if  $1 \leq \text{ctr} \leq 5$  or GATE9 used as timebase if  $6 \leq \text{ctr} \leq 10$ .
- 15: GATE 5 used as timebase if  $1 \leq \text{ctr} \leq 5$  or GATE10 used as timebase if  $6 \leq \text{ctr} \leq 10$ .

Set **timebase** to 0 to concatenate counters. Set **timebase** to 1 through 5 for the counter to count one of the five available internal signals. Set **timebase** to 6 through 15 (except 10 for the PC-TIO-10) to provide an external signal to a counter. This external signal becomes the signal NI-DAQ counts for event counting.

## Using This Function

CTR\_Period configures the specified counter for period and pulse-width measurement. The function configures the counter to count up from zero and to use the gating mode, edge mode, output type, and polarity as specified by the CTR\_Config call.

Applications for CTR\_Period are discussed in the section *Period and Continuous Pulse-Width Measurement Applications* in Chapter 3, *Software Overview*, of the *NI-DAQ User Manual for PC Compatibles*.

## CTR\_Pulse

---

### Format

**status = CTR\_Pulse (deviceNumber, ctr, timebase, delay, pulseWidth)**

### Purpose

Causes the specified counter to generate a specified pulse-programmable delay and pulse width.

### Parameters

#### Input

Name	Type	Description
<b>deviceNumber</b>	i16	assigned by configuration utility
<b>ctr</b>	i16	counter number
<b>timebase</b>	i16	timebase value
<b>delay</b>	u16	interval before the pulse
<b>pulseWidth</b>	u16	interval of the pulse

### Parameter Discussion

**ctr** is the counter number.

Range: 1, 2, or 5 for an MIO device except the E Series devices.  
1 through 10 for a PC-TIO-10.

**timebase** selects the timebase, or resolution, to be used by the counter. **timebase** has the following possible values:

- 1: Internal 5 MHz clock used as timebase (200 ns resolution) (AT-MIO-16F-5, AT-MIO-64F-5, AT-MIO-16X, and PC-TIO-10 only).
- 0: TC signal of **ctr**-1 used as timebase.
- 1: Internal 1 MHz clock used as timebase (1  $\mu$ s resolution).
- 2: Internal 100 kHz clock used as timebase (10  $\mu$ s resolution).
- 3: Internal 10 kHz clock used as timebase (100  $\mu$ s resolution).
- 4: Internal 1 kHz clock used as timebase (1 ms resolution).
- 5: Internal 100 Hz clock used as timebase (10 ms resolution).
- 6: SOURCE1 used as timebase if  $1 \leq \mathbf{ctr} \leq 5$  or SOURCE 6 used as timebase if  $6 \leq \mathbf{ctr} \leq 10$ .
- 7: SOURCE2 used as timebase if  $1 \leq \mathbf{ctr} \leq 5$  or SOURCE 7 used as timebase if  $6 \leq \mathbf{ctr} \leq 10$ .

- 8: SOURCE3 used as timebase if  $1 \leq \text{ctr} \leq 5$  or SOURCE 8 used as timebase if  $6 \leq \text{ctr} \leq 10$ .
- 9: SOURCE4 used as timebase if  $1 \leq \text{ctr} \leq 5$  or SOURCE 9 used as timebase if  $6 \leq \text{ctr} \leq 10$ .
- 10: SOURCE5 used as timebase if  $1 \leq \text{ctr} \leq 5$  or SOURCE 10 used as timebase if  $6 \leq \text{ctr} \leq 10$ .
- 11: GATE 1 used as timebase if  $1 \leq \text{ctr} \leq 5$  or GATE6 used as timebase if  $6 \leq \text{ctr} \leq 10$ .
- 12: GATE 2 used as timebase if  $1 \leq \text{ctr} \leq 5$  or GATE7 used as timebase if  $6 \leq \text{ctr} \leq 10$ .
- 13: GATE 3 used as timebase if  $1 \leq \text{ctr} \leq 5$  or GATE8 used as timebase if  $6 \leq \text{ctr} \leq 10$ .
- 14: GATE 4 used as timebase if  $1 \leq \text{ctr} \leq 5$  or GATE9 used as timebase if  $6 \leq \text{ctr} \leq 10$ .
- 15: GATE 5 used as timebase if  $1 \leq \text{ctr} \leq 5$  or GATE10 used as timebase if  $6 \leq \text{ctr} \leq 10$ .

Set **timebase** to 0 to concatenate counters. Set **timebase** to 1 through 5 for the counter to use one of the five available internal signals. Set **timebase** to 6 through 15 (except 10 for the PC-TIO-10) to provide an external clock to the counter.

**delay** is the delay before NI-DAQ generates the pulse. **delay** can be between 3 and 65,535. Use the following formula to determine the actual time period that **delay** represents:

$$\text{delay} * (\text{timebase resolution})$$

**pulseWidth** is the width of the pulse NI-DAQ generates. **pulseWidth** can be between 0 and 65,535. Use the following formula to determine the actual time that **pulseWidth** represents:

$$\text{pulseWidth} * (\text{timebase resolution})$$

for  $1 \leq \text{pulseWidth} \leq 65,535$ . **pulseWidth** = 0 is a special case of pulse generation and actually generates a pulse of infinite duration (see the timing diagrams in Figures 2-9 and 2-10).

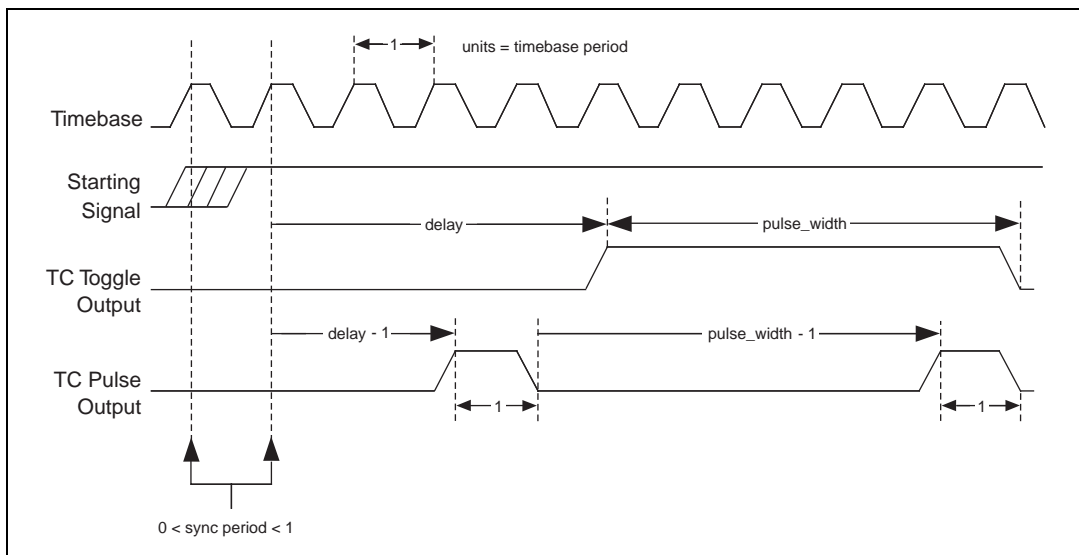
## Using This Function

CTR\_Pulse sets up the counter to generate a pulse of the duration specified by **pulseWidth**, after a time delay of the duration specified by **delay**. If you specify no gating, CTR\_Pulse starts the counter; otherwise, counter operation is controlled by the gate input. The selected timebase determines the timing of pulse generation as shown in Figure 2-9.

You can generate successive pulses by calling CTR\_Restart or CTR\_Pulse again. Be sure that the delay period of the previous pulse has elapsed before calling CTR\_Restart or CTR\_Pulse. A successive call waits until the previous pulse is completed before generating the next pulse. In the case where **pulseWidth** = 0 and TC toggle output is used, the output polarity toggles after every call to CTR\_Restart.

## Pulse Generation Timing Considerations

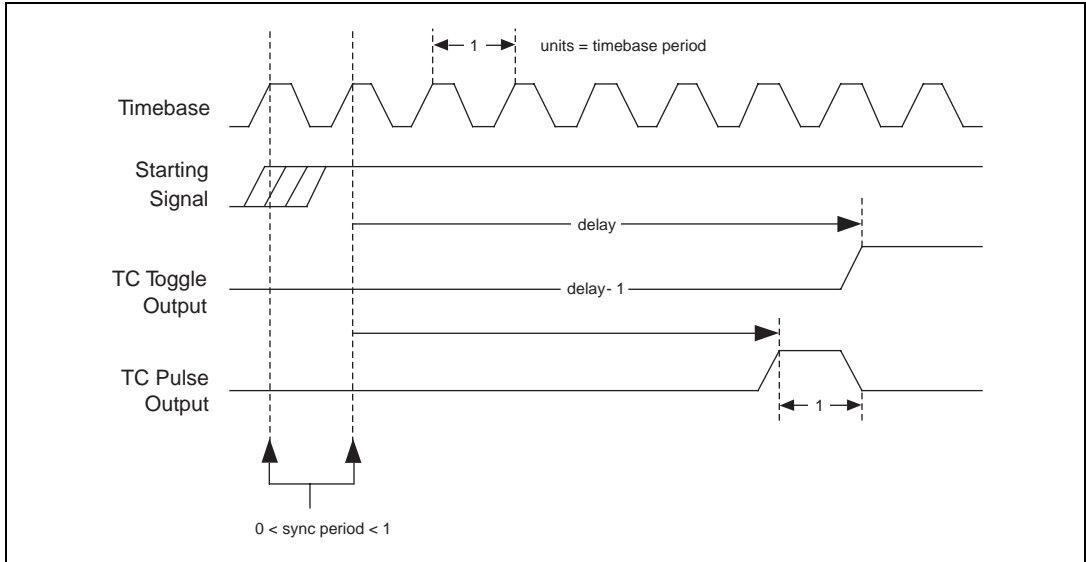
Figure 2-9 shows pulse generation timing for both the TC toggled output and TC pulse output cases. These signals are positive polarity output signals.



**Figure 2-9.** Pulse Generation Timing

An uncertainty is associated with the delay period due to counter synchronization. Counting starts on the first timebase edge *after* NI-DAQ applies the starting signal. The time between receipt of the starting pulse and start of pulse generation can be between **(delay)** and **(delay + 1)** units of the timebase in duration.

**pulseWidth = 0** generates a special case signal as shown in Figure 2-10.



**Figure 2-10.** Pulse Timing for pulseWidth = 0



## CTR\_Rate

---

### Format

**status** = CTR\_Rate (**freq**, **duty**, **timebase**, **period1**, **period2**)

### Purpose

Converts frequency and duty-cycle values of a selected square wave into the timebase and period parameters needed for input to the CTR\_Square function that produces the square wave.

### Parameters

#### Input

Name	Type	Description
<b>freq</b>	f64	frequency selected
<b>duty</b>	f64	duty cycle selected

#### Output

Name	Type	Description
<b>timebase</b>	i16	onboard source signal used
<b>period1</b>	u16	units of time that the square wave is high
<b>period2</b>	u16	units of time that the square wave is low

### Parameter Discussion

**freq** is the square wave frequency selected in cycles per second (Hz).

Range: 0.0008 through 2,500,000 Hz.

**duty** is the square wave duty cycle you select as a fraction. With positive output polarity and TC toggled output selected, the fraction expressed by **duty** describes the fraction of a single wavelength of the square wave that is logical high.

Range: 0.0 through 1.0 noninclusive (that is, any value between, but not including, 0.0 and 1.0).

**timebase** is a code that represents the resolution of the onboard source signal that the counter uses to produce the square wave. You can input the value returned by **timebase** directly to the CTR\_Square function.

- 1: 1  $\mu$ s.
- 2: 10  $\mu$ s.

- 3: 100  $\mu$ s.
- 4: 1 ms.
- 5: 10 ms.

**period1** and **period2** represent the number of units of time (selected by **timebase**) that the square wave is high and low, respectively. The roles of **period1** and **period2** are reversed if the output polarity is negative.

Range: 1 through 65,535.



**Note** *C Programmers—timebase, period1, and period2 are pass-by-reference parameters.*

## Using This Function

CTR\_Rate translates a definition of a square wave in terms of frequency and duty cycle into terms of a timebase and two period values. You can then input the timebase and period values directly into the CTR\_Square function to produce the selected square wave.

CTR\_Rate emphasizes matching the frequency first and then the duty cycle. That is, if the duty fraction is 0.5 but an odd-numbered total period is needed to produce the selected frequency, the two periods returned by CTR\_Rate will not be equal and the duty cycle of the square wave differs slightly from 50 percent. For example, if **freq** is 40,000 Hz and **duty** is 0.50, CTR\_Rate returns values of 1 for **timebase**, 13 for **period1**, and 12 for **period2**. The resulting square wave has the frequency of 40,000 Hz but a duty fraction of 0.52.

## CTR\_Reset

---

### Format

**status = CTR\_Reset (deviceNumber, ctr, output)**

### Purpose

Turns off the specified counter operation and places the counter output drivers in the selected output state.

### Parameters

#### Input

Name	Type	Description
<b>deviceNumber</b>	i16	assigned by configuration utility
<b>ctr</b>	i16	counter number
<b>output</b>	i16	output state of the counter OUT signal driver

### Parameter Discussion

**ctr** is the counter number.

Range: 1, 2, or 5 for an MIO device except the E Series devices.  
1 through 10 for a PC-TIO-10.

**output** indicates the output state of the counter OUT signal driver. **output** can be between 0 and 2 and represents three choices of output state.

- 0: Set OUT signal driver to high-impedance state.
- 1: Set OUT signal driver to low-logic state.
- 2: Set OUT signal driver to high-logic state.

### Using This Function

CTR\_Reset causes the specified counter to terminate its current operation, clears the counter mode, and places the counter OUT driver in the specified output state. When a counter has performed an operation (a square wave, for example), you must use CTR\_Reset to stop and clear the counter before setting it up for any subsequent operation of a different type (event counting, for example). You also can use CTR\_Reset to change the output state of an idle counter.



#### Note

*The output line of counter 1 on the MIO16/16D, and counters 1, 2, and 5 on the AT-MIO-16F-5, AT-MIO-64F-5, and AT-MIO-16X are pulled up to +5 V while in the high-impedance state.*

## CTR\_Restart

---

### Format

**status = CTR\_Restart (deviceNumber, ctr)**

### Purpose

Restarts operation of the specified counter.

### Parameters

#### Input

Name	Type	Description
<b>deviceNumber</b>	i16	assigned by configuration utility
<b>ctr</b>	i16	counter number

### Parameter Discussion

**ctr** is the counter number.

Range: 1, 2, or 5 for an MIO device except the E Series devices.  
1 through 10 for a PC-TIO-10.

### Using This Function

You can use `CTR_Restart` after a `CTR_Stop` operation to allow the suspended counter to resume. If the specified counter was never set up for an operation, `CTR_Restart` returns an error.

You also can use `CTR_Restart` after a `CTR_Pulse` operation to generate additional pulses. `CTR_Pulse` generates the first pulse. In this case, do not call `CTR_Restart` until after the previous pulse has completed.

## CTR\_Simul\_Op

---

### Format

**status = CTR\_Simul\_Op (deviceNumber, numCtrs, ctrList, mode)**

### Purpose

Configures and simultaneously starts and stops multiple counters.

### Parameters

#### Input

Name	Type	Description
<b>deviceNumber</b>	i16	assigned by configuration utility
<b>numCtrs</b>	i16	number of counters to operate
<b>ctrList</b>	[i16]	array of counter numbers
<b>mode</b>	i16	operating mode

### Parameter Discussion

**numCtrs** is the number of counters to which the operation is performed.

Range: 1 through 10.

**ctrList** is an array of integers of size **numCtrs** containing the counter numbers of the counters for performing the operation.

Range: 1, 2, or 5 for an MIO device except the E Series devices.  
1 through 10 for a PC-TIO-10.



**Note** *By default, counters are not reserved for simultaneous operations.*

**mode** is the operating mode to be performed by this call.

- 0: Cancel reservation of counters specified in **ctrList**.
- 1: Reserve counters specified in **ctrList** for simultaneous start, restart, stop, or count latch operation.
- 2: Perform a simultaneous start/restart on the counters specified in **ctrList**.
- 3: Perform a simultaneous stop on the counters specified in **ctrList**.
- 4: Perform a simultaneous count latch on the counters specified in **ctrlist**. The counters must have been started by a previous call to **CTR\_EvCount**. The counts can be retrieved one at a time by subsequent calls to **CTR\_EvRead**.

**Note**

*It is not necessary to call CTR\_Simul\_Op with mode set to 1 before calling CTR\_Simul\_Op with mode set to 4. That is, it is permissible to start two or more counters at different times and still latch their counts at the same time.*

## Using This Function

You can start multiple counters simultaneously for any combination of event counting, square wave generation, or pulse generation. The following sequence is an example of using CTR\_Simul\_Op:

1. Specify the counters to use by putting their counter numbers into the **ctrList** array.
2. Call CTR\_Simul\_Op with **mode** = 1 to reserve these counters.
3. Set up the counters by calling CTR\_EvCount, CTR\_Period, CTR\_Square, or CTR\_Pulse for each reserved counter. Because these counters are reserved, they will not start immediately by those calls.
4. Call CTR\_Simul\_Op with **mode** = 2 to start these counters.
5. Call CTR\_Simul\_Op with **mode** = 3 to stop these counters.
6. Call CTR\_Simul\_Op with **mode** = 0 to free counters for non-simultaneous operations.

You can stop counters from performing CTR\_EvCount, CTR\_Period, CTR\_Square, or CTR\_Pulse simultaneously, regardless of whether they were started by CTR\_Simul\_Op.

Trying to start unreserved counters simultaneously causes this function to return an error.

Call CTR\_Simul\_Op with **mode** = 0 to cancel the reserved status of counters specified in **ctrList**.

**Note**

*On the PC-TIO-10, the 10 counters are included on two counter/timer chips. These counter/timer chips are programmed sequentially. Simultaneous start-and-stop operations that specify counters from both chips experience a delay between the counters on the first chip (counters 1 through 5) and those on the second chip (counters 6 through 10). NI-DAQ returns a warning condition.*

## CTR\_Square

---

### Format

**status = CTR\_Square (deviceNumber, ctr, timebase, period1, period2)**

### Purpose

Causes the specified counter to generate a continuous square wave output of specified duty cycle and frequency.

### Parameters

#### Input

Name	Type	Description
<b>deviceNumber</b>	i16	assigned by configuration utility
<b>ctr</b>	i16	counter number
<b>timebase</b>	i16	timebase value
<b>period1</b>	u16	period of the square wave
<b>period2</b>	u16	period of the square wave

### Parameter Discussion

**ctr** is the counter number.

Range: 1, 2, or 5 for an MIO device except the E Series devices.  
1 through 10 for a PC-TIO-10.

**timebase** is the timebase, or resolution, to be used by the counter. **timebase** has the following possible values:

- 1: Internal 5 MHz clock used as timebase (200 ns resolution) (AT-MIO-16F-5, AT-MIO-64F-5, AT-MIO-16X, and PC-TIO-10 only).
- 0: TC signal of **ctr**-1 used as timebase.
- 1: Internal 1 MHz clock used as timebase (1  $\mu$ s resolution).
- 2: Internal 100 kHz clock used as timebase (10  $\mu$ s resolution).
- 3: Internal 10 kHz clock used as timebase (100  $\mu$ s resolution).
- 4: Internal 1 kHz clock used as timebase (1 ms resolution).
- 5: Internal 100 Hz clock used as timebase (10 ms resolution).
- 6: SOURCE1 used as timebase if  $1 \leq \mathbf{ctr} \leq 5$  or SOURCE 6 used as timebase if  $6 \leq \mathbf{ctr} \leq 10$ .
- 7: SOURCE2 used as timebase if  $1 \leq \mathbf{ctr} \leq 5$  or SOURCE 7 used as timebase if  $6 \leq \mathbf{ctr} \leq 10$ .

- 8: SOURCE3 used as timebase if  $1 \leq \mathbf{ctr} \leq 5$  or SOURCE 8 used as timebase if  $6 \leq \mathbf{ctr} \leq 10$ .
- 9: SOURCE4 used as timebase if  $1 \leq \mathbf{ctr} \leq 5$  or SOURCE 9 used as timebase if  $6 \leq \mathbf{ctr} \leq 10$ .
- 10: SOURCE5 used as timebase if  $1 \leq \mathbf{ctr} \leq 5$  or SOURCE 10 used as timebase if  $6 \leq \mathbf{ctr} \leq 10$ .
- 11: GATE 1 used as timebase if  $1 \leq \mathbf{ctr} \leq 5$  or GATE6 used as timebase if  $6 \leq \mathbf{ctr} \leq 10$ .
- 12: GATE 2 used as timebase if  $1 \leq \mathbf{ctr} \leq 5$  or GATE7 used as timebase if  $6 \leq \mathbf{ctr} \leq 10$ .
- 13: GATE 3 used as timebase if  $1 \leq \mathbf{ctr} \leq 5$  or GATE8 used as timebase if  $6 \leq \mathbf{ctr} \leq 10$ .
- 14: GATE 4 used as timebase if  $1 \leq \mathbf{ctr} \leq 5$  or GATE9 used as timebase if  $6 \leq \mathbf{ctr} \leq 10$ .
- 15: GATE 5 used as timebase if  $1 \leq \mathbf{ctr} \leq 5$  or GATE10 used as timebase if  $6 \leq \mathbf{ctr} \leq 10$ .

Set **timebase** to 0 to concatenate counters. Set **timebase** to 1 through 5 for the counter to use one of the five available internal signals. Set **timebase** to 6 through 15 (except 10 for the PC-TIO-10) to provide an external clock to the counter.

**period1** and **period2** specify the two periods making up the square wave to be generated. For TC toggled output type and positive output polarity, **period1** indicates the duration of the on-cycle (high-logic state) and **period2** indicates the duration of the off-cycle (low-logic state).

Range: 1 through 65,535.

## Using This Function

CTR\_Square sets up the counter to generate a square wave of duration and frequency determined by **period1**, **period2**, and **timebase**. If you specify no gating, the function initiates square wave generation; otherwise, counter operation is controlled by the gate input.

The total period of the square wave is determined by the following formula:

$$(\mathbf{period1} + \mathbf{period2}) * (\mathbf{timebase} \text{ period})$$

This implies that the frequency of the square wave is as follows:

$$1/(\mathbf{period1} + \mathbf{period2}) * (\mathbf{timebase} \text{ period})$$

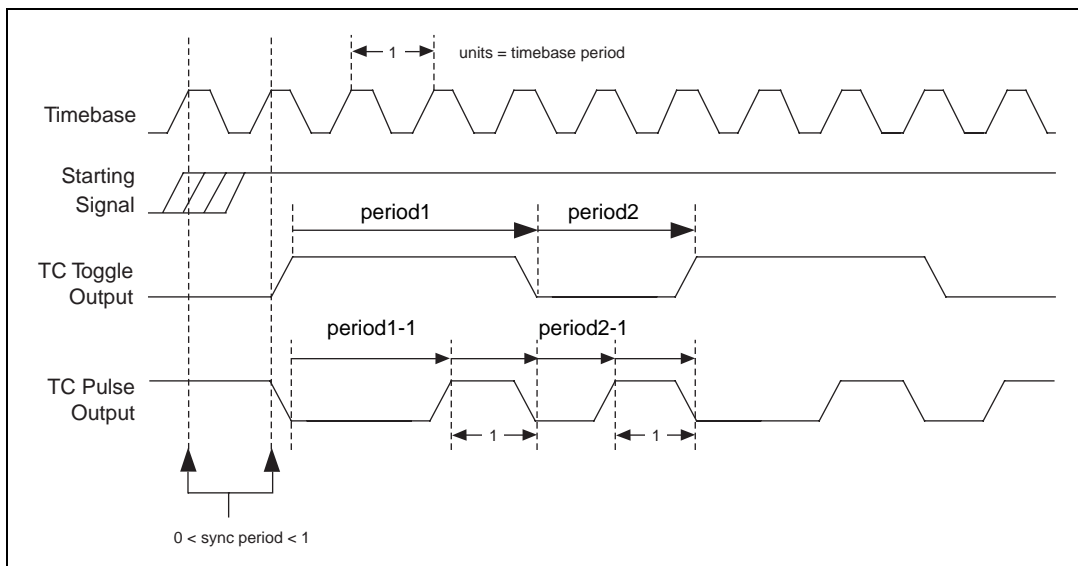
The percent duty cycle of the square wave is determined by the following formula:

$$\mathbf{period1}/(\mathbf{period1} + \mathbf{period2}) * 100\%$$

Figure 2-11 shows the timing of square wave generation for both TC toggled output and TC pulse output. For this example, **period1** = 3 and **period2** = 2. The output signals shown are positive polarity output signals.



When you use special gating (**gateMode** = 8), you can achieve gate-controlled pulse generation. When the gate input is high, NI-DAQ uses **period1** to generate the pulses. When the gate input is low, NI-DAQ uses **period2** to generate the pulses. If the output mode is TC Toggled, the result is two 50% duty square waves of difference frequencies. If the output mode is TC Pulse, the result is two pulse trains of different frequencies.



**Figure 2-11.** Square Wave Timing

## Square Wave Generation Timing Considerations

There is an uncertainty associated with the beginning of square wave generation due to counter synchronization. Square wave generation starts on the first timebase edge *after* NI-DAQ applies the starting signal. The time between receipt of the starting signal and the start of the square wave generation can be between 0 and 1 units of the timebase in duration.

You should not use edge gating with square wave generation. If you use edge gating, the waveform stops after **period1** expires and then continues for one total period (**period2** + **period1**) only after NI-DAQ applies another edge. For continuous square wave generation, use level or no gating.

## CTR\_State

---

### Format

`status = CTR_State (deviceNumber, ctr, outState)`

### Purpose

Returns the OUT logic level of the specified counter.

### Parameters

#### Input

Name	Type	Description
<b>deviceNumber</b>	i16	assigned by configuration utility
<b>ctr</b>	i16	counter number

#### Output

Name	Type	Description
<b>outState</b>	i16	returns the logic level of the counter OUT signal

### Parameter Discussion

**ctr** is the counter number.

Range: 1, 2, or 5 for an MIO device except the E Series devices.  
1 through 10 for a PC-TIO-10.

**outState** returns the logic level of the counter OUT signal. **outState** is either 0 or 1.

0: Indicates that OUT is at a low-logic state.

1: Indicates that OUT is at a high-logic state.



**Note** *C Programmers*—**outState** is a pass-by-reference parameter.

### Using This Function

`CTR_State` reads the logic state of the OUT signal of the specified counter and returns the state in **outState**. If the counter OUT driver is set to the high-impedance state, **outState** is indeterminate and can be either 0 or 1.

## CTR\_Stop

---

### Format

`status = CTR_Stop (deviceNumber, ctr)`

### Purpose

Suspends operation of the specified counter so that you can restart the counter operation.

### Parameters

#### Input

Name	Type	Description
<code>deviceNumber</code>	i16	assigned by configuration utility
<code>ctr</code>	i16	counter number

### Parameter Discussion

`ctr` is the counter number.

Range: 1, 2, or 5 for an MIO device except the E Series devices.  
1 through 10 for a PC-TIO-10.

### Using This Function

`CTR_Stop` suspends the operation of the counter in such a way that the counter can be restarted by `CTR_Restart` and continue in its operation. For example, if a counter is set up for frequency output, issuing `CTR_Stop` causes the counter to stop generating a square wave, and `CTR_Restart` allows it to resume. `CTR_Stop` causes the counter output to remain at the state it was in when `CTR_Stop` was issued.



#### Note

*Because of hardware limitations, `CTR_Stop` cannot stop a counter generating a square wave with period1 of 1 and period2 of 1.*

## DAQ\_Check

---

### Format

**status = DAQ\_Check (deviceNumber, daqStopped, retrieved)**

### Purpose

Checks whether the current DAQ operation is complete and returns the status and the number of samples acquired to that point.

### Parameters

#### Input

Name	Type	Description
<b>deviceNumber</b>	i16	assigned by configuration utility

#### Output

Name	Type	Description
<b>daqStopped</b>	i16	indication of whether the data acquisition has completed
<b>retrieved</b>	u32	progress of an acquisition

### Parameter Discussion

**daqStopped** returns an indication of whether the data acquisition has completed.

- 0: The DAQ operation is not yet complete.
- 1: The DAQ operation has stopped. Either the buffer is full, or an error has occurred.

**retrieved** indicates the progress of an acquisition. The meaning of **retrieved** depends on whether pretrigger mode has been enabled (see `DAQ_StopTrigger_Config`). If pretrigger mode is disabled, **retrieved** returns the number of samples collected by the acquisition at the time of the call to `DAQ_Check`. The value of **retrieved** increases until it equals the **count** indicated in the call that initiated the acquisition, at which time the acquisition terminates. However, if pretrigger mode is enabled, **retrieved** returns the offset of the position in your buffer where the next data point is placed when it is acquired. When the value of **retrieved** reaches **count**-1 and rolls over to 0, the acquisition begins to overwrite old data with new data. When NI-DAQ applies a signal to the stop trigger input, the acquisition collects an additional number of samples indicated by **ptsAfterStoptrig** in the call to `DAQ_StopTrigger_Config` and then terminates. When `DAQ_Check` returns a status of 1, **retrieved** contains the offset of the oldest data point in the array (assuming that the acquisition has written to the entire buffer at least once). In pretrigger mode, `DAQ_Check`

automatically rearranges the array upon completion of the acquisition so that the oldest data point is at the beginning of the array. Thus, **retrieved** always equals 0 upon completion of a pretrigger mode acquisition.



**Note** *C Programmers*—**daqStopped** and **retrieved** are pass-by-reference parameters.

## Using This Function

DAQ\_Check checks the current background DAQ operation to determine whether it has completed and returns the number of samples acquired at the time that you called DAQ\_Check. If the operation is complete, DAQ\_Check sets **daqStopped** = 1. Otherwise, **daqStopped** is set to 0. Before DAQ\_Check returns **daqStopped** = 1, it calls DAQ\_Clear, allowing another Start call to execute immediately.

If DAQ\_Check returns an **overflowError** or an **overRunError**, the DAQ operation is terminated; some A/D conversions were lost due to a sample rate that is too high (sample interval was too small). An **overflowError** indicates that the A/D FIFO memory overflowed because the DAQ servicing operation was not able to keep up with sample rate. An **overRunError** indicates that the DAQ circuitry was not able to keep up with the sample rate. Before returning either of these error codes, DAQ\_Check calls DAQ\_Clear to terminate the operation and reinitialize the DAQ circuitry.

# DAQ\_Clear

---

## Format

`status = DAQ_Clear (deviceNumber)`

## Purpose

Cancels the current DAQ operation (both single-channel and multiple-channel scanned) and reinitializes the DAQ circuitry.

## Parameters

### Input

Name	Type	Description
<code>deviceNumber</code>	i16	assigned by configuration utility

## Using This Function

DAQ\_Clear turns off any current DAQ operation (both single-channel and multiple-channel), cancels the background process that is handling the data acquisition, and clears any error flags set as a result of the data acquisition. NI-DAQ then reinitializes the DAQ circuitry so that NI-DAQ can start another data acquisition.



### Note

*If your application calls DAQ\_Start, SCAN\_Start, or Lab\_ISCAN\_Start, always make sure that you call DAQ\_Clear before your application terminates and returns control to the operating system. Unpredictable behavior can result unless you make this call (either directly, or indirectly through DAQ\_Check, Lab\_ISCAN\_Check, or DAQ\_DB\_Transfer).*

## DAQ\_Config

---

### Format

**status = DAQ\_Config (deviceNumber, startTrig, extConv)**

### Purpose

Stores configuration information for subsequent DAQ operations.

### Parameters

#### Input

Name	Type	Description
<b>deviceNumber</b>	i16	assigned by configuration utility
<b>startTrig</b>	i16	whether the trigger to initiate data acquisition is generated externally
<b>extConv</b>	i16	selects A/D conversion clock source

### Parameter Discussion

**startTrig** indicates whether the trigger to initiate DAQ sequences is generated externally.

- 0: Generate software trigger to start DAQ sequence (the default).
- 1: Wait for external trigger pulse at STARTTRIG of the MIO16/16D, or at EXTTRIG\* of the AT-MIO-16F-5, AT-MIO-64F-5, and AT-MIO-16X, or at EXTTRIG of the Lab and 1200 Series devices to initiate DAQ sequence (not valid for 516 and LPM devices and the DAQCard-500/700).

**extConv** indicates whether the timing of A/D conversions during the DAQ sequence is controlled externally or internally with the sample-interval and/or scan-interval clocks.

- 0: Use onboard clock to control data acquisition sample-interval and scan-interval timing (the default).
- 1: Allow external clock to control sample-interval timing.
- 2: Allow external clock to control scan-interval timing (MIO, AI, and Lab and 1200 Series devices only).
- 3: Allow external control of sample-interval timing and scan-interval timing (AT-MIO-16F-5, AT-MIO-64F-5, AT-MIO-16X, and Lab and 1200 Series devices only).

If you are using an E Series or DSA device, see the `Select_Signal` function for information about the external timing signals.

## Using This Function

DAQ\_Config saves the parameters in the configuration table for future data acquisition. DAQ\_Start and SCAN\_Start use the configuration table to set the DAQ circuitry to the correct timing modes.

If both **startTrig** and **extConv** are 0, A/D conversions begin as soon as you call DAQ\_Start, SCAN\_Start, or Lab\_ISCAN\_Start. When **startTrig** is 1, A/D conversions do not begin until NI-DAQ receives an external trigger pulse. In the latter case, the Start call merely arms the device. If you are using all E Series devices, see the Select\_Signal function for information about the external timing signals. When the A/D conversions have begun (with the start trigger), the onboard counters control the timing of the conversions. When **extConv** is 1, the timing of A/D conversions is completely controlled by the signal applied at the EXTCONV\* input. Again, the Start call merely arms the device, and after you make this call, the device performs an A/D conversion every time NI-DAQ receives a pulse at the EXTCONV\* input. When **extConv** is 2, the device performs a multiple-channel scan each time the device receives an active low pulse at the OUT2 signal (pin 46) of the non-E Series MIO device I/O connector, or the COUTB1 signal (pin 43) on Lab and 1200 Series devices.

On the MIO-16/16D, you cannot use both external start triggering and external sample clock (**startTrig** = 1 and **extConv** = 1) simultaneously. NI-DAQ returns an error if you try to configure them simultaneously. On the AT-MIO-16F-5, AT-MIO-64F-5, AT-MIO-16X, E Series, and Lab and 1200 Series devices, you can configure external start triggering and the external sample clock simultaneously.

(MIO-16 and Lab and 1200 Series devices only) In most cases, you should not use external conversion pulses in scanning operations when you are using SCXI in Multiplexed mode. There is no way of masking conversions before the data acquisition begins, so any conversion pulses that occur before NI-DAQ triggers the acquisition will advance the SCXI channels. The AT-MIO-16X and AT-MIO-16F-5 do not have this restriction.

(Lab and 1200 Series devices only) If the device is using an external timing clock for A/D conversions (**extConv** = 1), the first clock pulse after one of the three start calls (AI\_Setup, DAQ\_Start, or Lab\_ISCAN\_Start) is to activate the device for external timing. It does not generate a conversion. However, all subsequent clock pulses will generate conversions.

(E Series devices only) If you use this function with **startTrig** = 1, the device waits for an active low external pulse on the PFI0 pin to initiate the DAQ sequence. If you use this function with **extConv** = 1 or 3, the device uses active low pulses on the PFI2 pin for sample-interval timing. If you use this function with **extConv** = 2 or 3, the device uses active low pulses on the PFI7 pin for scan-interval timing. These settings are consistent with the Am9513-based MIO device selections. You can use the Select\_Signal function instead of this function to take advantage of the DAQ-STC signal routing and polarity selection features.





**Note** (PCI-6110E and PCI-6111E only) *The only allowed values for **extConv** are 0 and 2. The conversions occur simultaneously for all channels and are controlled by the scan interval.*

The DSA devices cannot use externally controlled clocks, so **extConv** is ignored.

The default settings for DAQ modes are as follows:

**startTrig** = 0: DAQ sequences are initiated through software.

**extConv** = 0: Onboard clock is used to time A/D conversions.

If you want a DAQ timing configuration different from the default setting, you must call `DAQ_Config` with the configuration you want before initiating any DAQ sequences. You need to call `DAQ_Config` only when you change the DAQ configuration from the default setting.

To scan channels on an SCXI-1140 module using an external Track\*/Hold signal, you should call `DAQ_Config` with **extConv** = 2 so that the Track\*/Hold signal of the module can control the scan interval timing during the acquisition.

The configuration information for the analog input circuitry is controlled by the `AI_Configure` call. This configuration information also affects data acquisition.

You cannot use pretrigger mode in conjunction with external conversion method on MIO-16/16D devices.

## DAQ\_DB\_Config

---

### Format

**status = DAQ\_DB\_Config (deviceNumber, DBmode)**

### Purpose

Enables or disables double-buffered DAQ operations.

### Parameters

#### Input

Name	Type	Description
<b>deviceNumber</b>	i16	assigned by configuration utility
<b>DBmode</b>	i16	enable or disable double-buffered mode

### Parameter Discussion

**DBmode** indicates whether to enable or disable the double-buffered mode of acquisition.

- 0: Disable double buffering (default).
- 1: Enable double buffering.

### Using This Function

Double-buffered data acquisition cyclically fills a buffer with acquired data. The buffer is divided into two equal halves so that NI-DAQ can save data from one half while filling the other half. This mechanism makes it necessary to alternately save both halves of the buffer so that NI-DAQ does not overwrite data in the buffer before saving the data. Use the `DAQ_DB_Transfer` functions to save the data as NI-DAQ acquires it. For additional information, see Chapter 5, *NI-DAQ Double Buffering*, of the *NI-DAQ User Manual for PC Compatibles*, for more information.

## DAQ\_DB\_HalfReady

---

### Format

**status = DAQ\_DB\_HalfReady (deviceNumber, halfReady, daqStopped)**

### Purpose

Checks whether the next half buffer of data is available during a double-buffered data acquisition. You can use `DAQ_DB_HalfReady` to avoid the waiting period that can occur because the double-buffered transfer function (`DAQ_DB_Transfer`) waits until the data is ready before retrieving and returning it.

### Parameters

#### Input

Name	Type	Description
<b>deviceNumber</b>	i16	assigned by configuration utility

#### Output

Name	Type	Description
<b>halfReady</b>	i16	whether the next half buffer of data is available
<b>daqStopped</b>	i16	whether the data acquisition has completed

### Parameter Discussion

**halfReady** indicates whether the next half buffer of data is available. When **halfReady** equals 1, you can use `DAQ_DB_Transfer` to retrieve the data immediately. When **halfReady** equals 0, the data is not yet available.

**daqstopped** returns an indication of whether the data acquisition has completed. If **daqstopped** = 1, the DAQ operation is complete (or halted due to an error). If **daqstopped** = 0, the DAQ operation is still running.



**Note** *C Programmers—halfReady and daqStopped are pass-by-reference parameters.*

## Using This Function

Double-buffered data acquisition cyclically fills a buffer with acquired data. The buffer is divided into two equal halves so that NI-DAQ can save data from one half while filling the other half. This mechanism makes it necessary to alternately save both halves of the buffer so that NI-DAQ does not overwrite data in the buffer before saving the data. Use the `DAQ_DB_Transfer` function to save the data as NI-DAQ acquires it. This function, when called, waits for the data to become available before retrieving it and returning. During slower paced acquisitions this waiting period can be significant. You can use `DAQ_DB_HalfReady` to ensure that the transfer function is called only when the data is already available.

## DAQ\_DB\_Transfer

---

### Format

**status = DAQ\_DB\_Transfer (deviceNumber, halfBuffer, ptsTfr, daqStopped)**

### Purpose

Transfers half of the data from the buffer being used for double-buffered data acquisition to another buffer, which is passed to the function, and waits until the data to be transferred is available before returning. You can execute `DAQ_DB_Transfer` repeatedly to return sequential half buffers of the data.

### Parameters

#### Input

Name	Type	Description
<b>deviceNumber</b>	i16	assigned by configuration utility

#### Output

Name	Type	Description
<b>halfBuffer</b>	[i16]	integer array to which the data is to be transferred
<b>ptsTfr</b>	u32	number of points transferred
<b>daqStopped</b>	i16	indicates the completion of a pretrigger mode acquisition

### Parameter Discussion

**halfBuffer** is an integer array. The size of the array must be at least half the size of the circular buffer being used for double-buffered data acquisition.

**ptsTfr** is the number of points transferred to **halfBuffer**. This value is always equal to half the number of samples specified in `DAQ_Start`, `SCAN_Start`, or `Lab_ISCAN_Start` unless the acquisition has not yet begun, or the acquisition stopped while in pretrigger mode. In the former case, until NI-DAQ applies an external start trigger, **ptsTfr** is 0. In the latter case (pretrigger mode), the acquisition can stop at any point in the circular buffer after acquiring the specified number of samples after the board receives NI-DAQ applies a pulse at `STOPTRIG` for the MIO-16 stop trigger input. Refer to `EXTTRIG*` of the non-E Series MIO devices, or to `EXTTRIG` of Lab and 1200 Series devices. If you are using all E Series devices, see the `Select_Signal` function for information about the external timing signals. Thus,

after the acquisition has stopped, the last transfer of data to **halfBuffer** contains the number of valid points from the half of the circular buffer where acquisition stopped.

**daqStopped** is a valid output parameter only if pretrigger mode acquisition is in progress. This parameter indicates the completion of a pretrigger mode acquisition by returning a one (it returns zero otherwise). A one indicates that the acquisition has stopped after taking the specified number of samples following the occurrence of a stop trigger, and that NI-DAQ has transferred the last piece of data in the circular buffer to **halfBuffer**. The number of data points transferred to **halfBuffer**, as always, is equal to **ptsTfr**.



**Note** *C Programmers—ptsTfr and daqStopped must be passed by reference.*

## DAQ\_Monitor

---

### Format

**status = DAQ\_Monitor (deviceNumber, channel, sequential, numPts, monitorBuffer, newestPtIndex, daqStopped)**

### Purpose

Returns data from an asynchronous data acquisition in progress. During a multiple-channel acquisition, you can retrieve data from a single channel or from all channels being scanned. An oldest/newest mode provides for return of sequential (oldest) blocks of data or return of the most recently acquired (newest) blocks of data.

### Parameters

#### Input

Name	Type	Description
<b>deviceNumber</b>	i16	assigned by configuration utility
<b>channel</b>	i16	number of the channel
<b>sequential</b>	i16	enables or disables the return of consecutive or oldest blocks of data
<b>numPts</b>	u32	number of data points you want to retrieve

#### Output

Name	Type	Description
<b>monitorBuffer</b>	[i16]	destination buffer for the data
<b>newestPtIndex</b>	u32	offset into the acquisition buffer of the newest point returned
<b>daqStopped</b>	i16	indicates whether the data acquisition has completed

### Parameter Discussion

**channel** is the number of the channel you want to examine. You can choose to set **channel** to a value of  $-1$  to indicate that you want to examine data from all channels being scanned. If **channel** is not equal to  $-1$ , **channel** must be equal to the channel selected in `DAQ_Start`, equal to one of the channels selected in `SCAN_Setup`, or equal to one of the channels implied

in `Lab_ISCAN_Start`. If you are using an AMUX-64T, **channel** can be equal to any one of the AMUX-64T channels.

Range:     -1 for data from all channels being sampled.  
            *n* where *n* is one of the channels being sampled.

**sequential** is a flag that enables or disables the return of consecutive or oldest blocks of data from the acquisition buffer. A call to `DAQ_Monitor` with the value of **sequential** equal to one returns a block of data that begins where the last sequential call to `DAQ_Monitor` left off. A call to `DAQ_Monitor` with **sequential** equal to zero returns the most recent block of data available.

- 0:     Most recent data.
- 1:     Consecutive data.

**numPts** is the number of data points you want to retrieve from the buffer being used by the acquisition operation. If the **channel** parameter is equal to -1, **numPts** must be an integer multiple of the number of channels contained in the scan sequence. If you are using one or more AMUX-64T boards, remember that the actual number of channels scanned is equal to the value of the **numChans** parameter you selected in `SCAN_Setup`, multiplied by the number of AMUX-64T boards, multiplied by 4.

Range:     (if **channel** equals -1) 1 to the value of **count** in the `DAQ_Start`, `SCAN_Start`, or `Lab_ISCAN_Start` call.  
            (if **channel** is not equal to 1) 1 to the number of points per channel that the acquisition buffer can hold.

**monitorBuffer** is the destination buffer for the data. It is an integer array. **monitorBuffer** must be at least big enough to hold **numPts** worth of data. Upon the return of `DAQ_Monitor`, **monitorBuffer** contains a *snapshot* of a portion of the acquisition buffer.

**newestPtIndex** is the offset into the acquisition buffer of the newest point returned by `DAQ_Monitor`. When the value of the **sequential** flag is 0, **newestPtIndex** is useful in determining whether you are seeing the same data over and over again. If `DAQ_buffer` is the name of the buffer selected in the `DAQ_Start` call, for example, **monitorBuffer[numPts - 1] = DAQ\_buffer[newestPtIndex]**, if `DAQ_buffer` is zero based.

**daqStopped** returns an indication of whether the data acquisition has completed.

- 0:     The DAQ operation is not yet complete.
- 1:     The DAQ operation has completed (or halted due to an error).



**Note**     *C Programmers—newestPtIndex and daqStopped are pass-by-reference parameters.*



## Using This Function

DAQ\_Monitor is intended to return small blocks of data from a background acquisition operation. This is especially useful when you have put the acquisition in a circular mode by enabling either the double-buffered or pretrigger modes. The operation is not disturbed; NI-DAQ only reads data from the buffer being used by the acquisition. If the amount of data requested is not yet available, DAQ\_Monitor returns the appropriate error code. Possible uses for DAQ\_Monitor include deciding when to halt an acquisition based on a level, slope, or peak. If you are using DAQ\_Monitor to retrieve sequential data (during a circular acquisition) and NI-DAQ overwrites a block of data before it can copy the data, NI-DAQ returns an **overWriteError** warning. DAQ\_Monitor then restarts sequential retrieval with the most recently acquired block of data.

If NI-DAQ overwrites a block of data as it is copied to **monitorBuffer**, NI-DAQ returns the **overWriteError** error. The data in **monitorBuffer** might be corrupted if NI-DAQ returns this error.

## DAQ\_Op

---

### Format

**status = DAQ\_Op (deviceNumber, chan, gain, buffer, count, sampleRate)**

### Purpose

Performs a synchronous, single-channel DAQ operation. DAQ\_Op does not return until NI-DAQ has acquired all the data or an acquisition error has occurred.

### Parameters

#### Input

Name	Type	Description
<b>deviceNumber</b>	i16	assigned by configuration utility
<b>chan</b>	i16	analog input channel number
<b>gain</b>	i16	gain setting to be used
<b>count</b>	u32	number of samples to be acquired
<b>sampleRate</b>	f64	desired sample rate in units of pts/s

#### Output

Name	Type	Description
<b>buffer</b>	[i16]	contains the acquired data

### Parameter Discussion

**chan** is the analog input channel number. If you are using SCXI, you must use the appropriate analog input channel on the DAQ device that corresponds to the SCXI channel you want. Select the SCXI channel using `SCXI_Single_Chan_Setup` before calling this function. Refer to the *NI-DAQ User Manual for PC Compatibles* for more information on SCXI channel assignments.

Range: See Table B-1 in Appendix B, *Analog Input Channel, Gain Settings, and Voltage Calculation*

**gain** is the gain setting to be used for that channel. This gain setting applies only to the DAQ device; if you are using SCXI, you must establish any gain you want at the SCXI module by setting jumpers on the module or by calling `SCXI_Set_Gain`. Refer to Appendix B, *Analog Input Channel, Gain Settings, and Voltage Calculation*, for valid gain settings. If you use an

invalid gain, NI-DAQ will return an error. NI-DAQ ignores **gain** for 516 and LPM devices and the DAQCard-500/700.

**buffer** is an integer array. **buffer** has a length equal to or greater than **count**. When DAQ\_Op returns with an error number equal to zero, **buffer** contains the acquired data.

**count** is the number of samples to be acquired (that is, the number of A/D conversions to be performed).

Range: 3 through  $2^{32} - 1$  (except for the Lab and 1200 Series and E Series devices).  
 3 through 65,535 (Lab and 1200 Series devices).  
 2 through  $2^{24}$  (E Series devices).  
 2 through  $2^{24} - 3$  (PCI-6110E and PCI-6111E) requires an even number of samples.  
 2 through  $2^{24}$  (PCI-445X).  
 2 through  $2^{32} - 1$  (PCI-455X).

**sampleRate** is the sample rate you want in, units of pts/s.

Range: Roughly 0.00153 pts/s through 5,000,000 pts/s. The maximum rate depends on the type of device.



**Note** *If you are using an SCXI-1200 with remote SCXI, the maximum rate will depend on the baud rate setting and count. Refer to the SCXI-1200 User Manual for more details.*

## Using This Function

DAQ\_Op initiates a synchronous process of acquiring A/D conversion samples and storing them in a buffer. DAQ\_Op does not return control to your application until NI-DAQ acquires all the samples you want (or until an acquisition error occurs). When you are using posttrigger mode (with pretrigger mode disabled), the process stores **count** A/D conversions in the buffer and ignores any subsequent conversions.



**Note** *If you have selected external start triggering of the DAQ operation, a high-to-low edge at the STARTTRIG\* I/O connector of the MIO-16, the EXTTRIG\* input of the AT-MIO-16F-5, AT-MIO-64F-5 and AT-MIO-16X or a low-to-high edge at the EXTTRIG input of the Lab and 1200 Series devices initiates the DAQ operation. If you are using an E Series device or DSA device, you need to apply a trigger that you select through the Select\_Signal or DAQ\_Config functions to initiate data acquisition. Be aware that if you do not apply the start trigger, DAQ\_Op does not return control to your application. Otherwise, DAQ\_Op issues a software trigger to initiate the DAQ operation.*

If you have enabled pretrigger mode, the sample counter does not begin counting acquisitions until you apply a signal at the stop trigger input. Until you apply this signal, the acquisition remains in a cyclical mode, continually overwriting old data in the buffer with new data.

Again, if you do not apply the stop trigger, DAQ\_Op does not return control to your application.

In any case, you can use `Timeout_Config` to establish a maximum length of time for DAQ\_Op to execute.

## DAQ\_Rate

---

### Format

**status = DAQ\_Rate (rate, units, timebase, sampleInterval)**

### Purpose

Converts a DAQ rate into the timebase and sample-interval values needed to produce the rate you want.

### Parameters

#### Input

Name	Type	Description
<b>rate</b>	f64	desired DAQ rate
<b>units</b>	i16	pts/s or s/pt (see CTR_Rate)

#### Output

Name	Type	Description
<b>timebase</b>	i16	onboard source signal used
<b>sampleInterval</b>	u16	number of timebase units that elapse between consecutive A/D conversions

### Parameter Discussion

**rate** is the DAQ rate you want. The units in which **rate** is expressed are either points per second (pts/s) or seconds per point (s/pt), depending on the value of the **units** parameter.  
 Range: Roughly 0.00153 pts/s through 5,000,000 pts/s or 655 s/pt through 0.000001 s/pt.

**units** indicates the units used to express **rate**.

- 0: pts/s.
- 1: s/pt.

**timebase** is a code representing the resolution of the onboard clock signal that the device uses to produce the acquisition rate you want. You can input the value returned by **timebase** directly to **DAQ\_Start**, **Lab\_ISCAN\_Start**, or **SCAN\_Start**. **timebase** has the following possible values.

- 3: 20 MHz clock used as the timebase (50 ns) (E Series only).
- 1: 200 ns (AT-MIO-16F-5, AT-MIO-64F-5, AT-MIO-16X and E Series devices only).

- 1: 1  $\mu$ s.
- 2: 10  $\mu$ s.
- 3: 100  $\mu$ s.
- 4: 1 ms.
- 5: 10 ms.

**sampleInterval** is the number of timebase units that elapse between consecutive A/D conversions. The combination of the timebase resolution value and the **sampleInterval** produces the DAQ rate you want.

Range: 2 through 65,535.



**Note** *C Programmers—timebase and sampleInterval are pass-by-reference parameters.*

## Using This Function

DAQ\_Rate produces timebase and sample-interval values to closely match the DAQ rate you want. To calculate the actual acquisition rate produced by these values, first determine the clock resolution that corresponds to the value **timebase** returns. Then use the appropriate formula below, depending on the value specified for units:

**units** = 0 (pts/s):

$$\text{actual rate} = 1/(\text{clock resolution} * \text{sampleInterval})$$

**units** = 1 (s/pt):

$$\text{actual rate} = \text{clock resolution} * \text{sampleInterval}$$

## DAQ\_Set\_Clock

---

### Format

DAQ\_Set\_Clock (deviceNumber, group, whichClock, desiredRate, units, actualRate)

### Purpose

Sets the scan rate for a group of channels (DSA devices only).

### Input

Name	Type	Description
deviceNumber	i16	assigned by configuration utility
whichClock	u32	only scan clock supported
desiredRate	f64	desired rate in units
units	u32	ticks/second or seconds/tick

### Output

Name	Type	Description
actualRate	f64	actual rate in units

### Parameter Discussion

**whichClock** indicates the type of clock.

0: scan clock.

**desiredRate** is the rate at which you want data points to be sampled by the ADC(s).

**units** determines how **desiredRate** and **actualRate** are interpreted:

0: points per second.

1: seconds per point.

**actualRate** is the rate at which the ADCs produce samples. The capabilities of your device will determine how closely **actualRate** matches **desiredRate**. The DSA devices use the same base clock for both DAQ/SCAN and WFM operations so the rates available for a DAQ/SCAN will be restricted if a WFM operation is already in progress.



**Note** *C programmers—actualRate is a pass-by-reference parameter.*

## Using This Function

DAQ\_Set\_Clock sets the specified clock rate for the next acquisition operation. Be sure to call DAQ\_Set\_Clock before DAQ\_Start or SCAN\_Start. When calling those functions, the **timebase** and **interval** parameters will be ignored.



## DAQ\_Start

---

### Format

**status = DAQ\_Start (deviceNumber, chan, gain, buffer, count, timebase, sampInterval)**

### Purpose

Initiates an asynchronous, single-channel DAQ operation and stores its input in an array.

### Input

Name	Type	Description
<b>deviceNumber</b>	i16	assigned by configuration utility
<b>chan</b>	i16	analog input channel number
<b>gain</b>	i16	gain setting
<b>count</b>	u32	number of samples to be acquired
<b>timebase</b>	i16	timebase value
<b>sampInterval</b>	u16	sample interval

### Output

Name	Type	Description
<b>buffer</b>	[i16]	used to hold acquired readings

### Parameter Discussion

**chan** is the analog input channel number. If you are using SCXI, you must use the appropriate analog input channel on the DAQ device that corresponds to the SCXI channel you want. Select the SCXI channel using `SCXI_Single_Chan_Setup` before calling this function. Refer to the *NI-DAQ User Manual for PC Compatibles* for more information on SCXI channel assignments.

Range: See Table B-1 in Appendix B, *Analog Input Channel, Gain Settings, and Voltage Calculation*.

**gain** is the gain setting to be used for that channel. This gain setting applies only to the DAQ device; if you are using SCXI, you must establish any gain you want at the SCXI module either by setting jumpers on the module or by calling `SCXI_Set_Gain`. Refer to Appendix B, *Analog Input Channel, Gain Settings, and Voltage Calculation*, for valid gain settings. If you use invalid gain settings, NI-DAQ returns an error. NI-DAQ ignores **gain** for the 516 and LPM devices and DAQCard-500/700.

**buffer** is an integer array. **buffer** must have a length equal to or greater than **count**. The elements of **buffer** are the results of each A/D conversion in the DAQ operation. This buffer is often referred to as the acquisition buffer (or circular buffer when double-buffered mode is enabled) elsewhere in this manual.

For DSA devices, **buffer** should be an array of i32. These devices return the data in a 32-bit format in which the data bits are in the most significant bits.

**count** is the number of samples to be acquired (that is, the number of A/D conversions to be performed). For double-buffered acquisitions, **count** must be even.

Range: 3 through  $2^{32} - 1$  (except Lab and 1200 Series devices that are not enabled for double-buffered mode and the E Series devices)  
 3 through 65,535 (Lab and 1200 Series devices not enabled for double-buffered mode).  
 2 through  $2^{24}$  (E Series devices).  
 2 through  $2^{24} - 3$  (PCI-6110E and PCI-6111E). **count** must always be EVEN.  
 2 through  $2^{24}$  (PCI-445X).  
 2 through  $2^{32} - 1$  (PCI-455X).

**timebase** is the timebase, or resolution, to be used for the sample-interval counter. **timebase** has the following possible values:

- 3: 20 MHz clock used as a timebase (50 ns) (E Series only).
- 1: 5 MHz clock used as timebase (200 ns resolution) (AT-MIO-16F-5, AT-MIO-64F-5, and AT-MIO-16X only).
- 0: External clock used as timebase (connect your own timebase frequency to the internal sample-interval counter via the SOURCE5 input for MIO boards or, by default, the PFI8 input for E Series devices).
- 1: 1 MHz clock used as timebase (1  $\mu$ s resolution) (non-E Series MIO devices only).
- 2: 100 kHz clock used as timebase (10  $\mu$ s resolution).
- 3: 10 kHz clock used as timebase (100  $\mu$ s resolution) (non-E Series MIO devices only).
- 4: 1 kHz clock used as timebase (1 ms resolution) (non-E Series MIO devices only).
- 5: 100 Hz clock used as timebase (10 ms resolution) (non-E Series MIO devices only).

On E Series devices, if you use this function with the timebase set at 0, you must call the function `Select_Signal` with `signal` set to `ND_IN_CHANNEL_CLOCK_TIMEBASE`, and **source** set to a value other than `ND_INTERNAL_20_MHZ` and `ND_INTERNAL_100_KHZ` before calling `DAQ_Start` with timebase set to 0; otherwise, `DAQ_Start` will select low-to-high transitions on the PFI 8 I/O connector pin as your external timebase.

Refer to the `Select_Signal` function for further details about using the timebase with E Series devices.

If you use external conversion pulses, NI-DAQ ignores the **timebase** parameter and you can set it to any value.

For DSA devices, **timebase** is ignored. Use `DAQ_Set_Clock` to set the sampling rate.

**sampInterval** indicates the length of the sample interval (that is, the amount of time to elapse between each A/D conversion).

Range: 2 through 65,535.

The sample interval is a function of the timebase resolution. NI-DAQ determines the actual sample interval in seconds using the following formula:

$$\text{sampInterval} * (\text{timebase resolution})$$

where the timebase resolution for each value of **timebase** is given above. For example, if **sampInterval** = 25 and **timebase** = 2, the sample interval is  $25 * 10 \mu\text{s} = 250 \mu\text{s}$ . If you use external conversion pulses, NI-DAQ ignores the **sampInterval** parameter and you can set it to any value.

For DSA devices, **sampInterval** is ignored. Use `DAQ_Set_Clock` to set the sampling rate.



**Note** *If you are using an SCXI-1200 with remote SCXI, the maximum rate will depend on the baud rate setting and count. Refer to the SCXI-1200 User Manual for more details.*

## Using This Function

`DAQ_Start` configures the analog input multiplexer and gain circuitry as indicated by **chan** and **gain**. If external sample-interval timing has not been indicated by a `DAQ_Config` call, the function sets the sample-interval counter to the specified **sampInterval** and **timebase**. If you have indicated external sample-interval timing, the DAQ circuitry relies on pulses received on the external conversion signal `EXTCONV*` input to initiate individual A/D conversions. The sample counter is set up to count the number of samples and to stop the DAQ process when NI-DAQ has acquired **count** samples.

`DAQ_Start` initializes a background process to handle storing of A/D conversion samples into the buffer as NI-DAQ acquires the conversions. When you use posttrigger mode (with pretrigger mode disabled), the process stores up to **count** A/D conversions in the buffer and ignores any subsequent conversions. If a call to `DAQ_Check` returns **status** = 1, the samples are available and NI-DAQ terminates the DAQ process. In addition, a call to `DAQ_Clear` terminates the background DAQ process and enables a subsequent call to `DAQ_Start`. Notice that if `DAQ_Check` returns **daqStopped** = 1 or an error code of **overRunError** or **overFlowError**, the process is automatically terminated and there is no need to call `DAQ_Clear`.



**Note** *You need to apply a trigger that you select through the `Select_Signal` or `DAQ_Config` functions to initiate data acquisition. Be aware that if you do not apply the start trigger, `DAQ_Op` does not return control to your application. Otherwise, `DAQ_Op` issues a software trigger to initiate the DAQ operation.*

If you select external start triggering for the DAQ operation, a high-to-low edge at the STARTTRIG\* I/O connector input of the MIO16/16D, the EXTTRIG\* input of the AT-MIO-16F-5, AT-MIO-64F-5, and AT-MIO-16X, or a low-to-high edge at the EXTTRIG input of Lab and 1200 Series devices initiates the DAQ operation after the `DAQ_Start` call is complete. If you are using an E Series or DSA device, you need to apply a trigger that you select through the `Select_Signal` or `DAQ_Config` functions to initiate data acquisition. Otherwise, `DAQ_Start` issues a software trigger to initiate the DAQ operation before returning.

If you enable pretrigger mode, the sample counter does not begin counting acquisitions until a signal is applied at the stop trigger input. Until this signal is applied, the acquisition remains in a cyclical mode, continually overwriting old data in the buffer with new data.



**Note** *If your application calls `DAQ_Start`, `SCAN_Start`, or `Lab_ISCAN_Start`, always make sure that you call `DAQ_Clear` before your application terminates and returns control to the operating system. Unpredictable behavior can result unless you make this call (either directly, or indirectly through `DAQ_Check` or `DAQ_DB_Transfer`).*

## DAQ\_StopTrigger\_Config

---

### Format

**status = DAQ\_StopTrigger\_Config (deviceNumber, stopTrig, ptsAfterStoptrig)**

### Purpose

Enables the pretrigger mode of data acquisition and indicates the number of data points to acquire after NI-DAQ applies the stop trigger pulse at the STOPTRIG\* input of the MIO-16/16D; the EXTTRIG\* input of an AT-MIO-16F-5, AT-MIO-64F-5, or AT-MIO-16X or the EXTTRIG input of Lab and 1200 Series devices; or the PFI1 pin. Refer to the PFI1 pin of an E Series device. If you are using an E Series device, see the `Select_Signal` description for information about the external timing signals.

### Parameters

#### Input

Name	Type	Description
<b>deviceNumber</b>	i16	assigned by configuration utility
<b>stopTrig</b>	i16	enable or disable the pretriggered mode
<b>ptsAfterStoptrig</b>	u32	number of points to acquire after the trigger

### Parameter Discussion

**stopTrig** indicates whether to enable or disable the pretriggered mode of data acquisition.

- 0: Disable pretrigger (the default).
- 1: Enable pretrigger.

**ptsAfterStoptrig** is the number of data points to acquire after the trigger. This parameter is valid only if **stopTrig** equals 1. For a multiple channel scanned acquisition, **ptsAfterStoptrig** must be an integer multiple of the number of channels scanned.

Range: 3 through *count*, where *count* is the value of the **count** parameter in the Start call used to start the acquisition. For Lab and 1200 Series devices, the maximum is always 65,535. For an E Series device or DSA device, the range is 2 through **count**.

### Using This Function

Calling `DAQ_StopTrigger_Config` with the **stopTrig** parameter set to 1 causes any subsequent Start call to initiate a cyclical mode data acquisition. In this mode, NI-DAQ writes data continually into your buffer, overwriting data at the beginning of the buffer when NI-DAQ has filled the entire buffer. You can use `DAQ_Check` or `Lab_ISCAN_Check` in this situation to determine where NI-DAQ is currently depositing data in the buffer. When you

apply a pulse at the STOPTRIG\* input of the MIO-16/16D or the EXTTRIG\* input of the AT-MIO-16F-5, AT-MIO-64F-5, or AT-MIO-16X or the EXTTRIG input of Lab and 1200 Series devices, NI-DAQ acquires an additional number of data points specified by **ptsAfterStoptrig** before the acquisition terminates. DAQ\_Check or Lab\_ISCAN\_Check will rearrange the data into chronological order (from oldest to newest) and return with the status parameters equal to one when called after termination.

Calling DAQ\_StopTrigger\_Config with **stopTrig** set to 0 returns the acquisition mode to its default, acyclical setting.

You cannot use pretrigger mode in conjunction with the external conversion method on the MIO-16/16D devices.

(E Series devices only) If you use this function with **stopTrig** = 1, the device uses an active high signal from the PFI1 pin as the stop trigger. This selection is consistent with the MIO-16/16D boards. After calling this function, you can use the Select\_Signal function to take advantage of the DAQ-STC signal routing and polarity selection features.

## DAQ\_to\_Disk

---

### Format

**status = DAQ\_to\_Disk (deviceNumber, chan, gain, filename, count, sampleRate, concat)**

### Purpose

Performs a synchronous, single-channel DAQ operation and saves the acquired data in a disk file. `DAQ_to_Disk` does not return until NI-DAQ has acquired and saved all the data or an acquisition error has occurred.

### Parameters

#### Input

Name	Type	Description
<b>deviceNumber</b>	i16	assigned by configuration utility
<b>chan</b>	i16	analog input channel number
<b>gain</b>	i16	gain setting
<b>filename</b>	STR	name of data file to be created
<b>count</b>	u32	number of samples to be acquired
<b>sampleRate</b>	f64	rate in units of pts/s
<b>concat</b>	i16	enables concatenation to an existing file

### Parameter Discussion

**chan** is the analog input channel number. If you are using SCXI, you must use the appropriate analog input channel on the DAQ device that corresponds to the SCXI channel you want. Select the SCXI channel using `SCXI_Single_Chan_Setup` before calling this function. Refer to the *NI-DAQ User Manual for PC Compatibles* for more information on SCXI channel assignments.

Range: See Table B-1 in Appendix B, *Analog Input Channel, Gain Settings, and Voltage Calculation*.

**gain** is the gain setting to be used for that channel. This gain setting applies only to the DAQ device; if SCXI is used, you must establish any gain at the SCXI module either by setting jumpers on the module or by calling `SCXI_Set_Gain`. Refer to Appendix B, *Analog Input Channel, Gain Settings, and Voltage Calculation*, for valid gain settings. If you use invalid gain settings, NI-DAQ returns an error. NI-DAQ ignores **gain** for 516 and LPM devices and the DAQCard-500/700.

**count** is the number of samples to be acquired (that is, the number of A/D conversions to be performed). The length of your data file in bytes should be exactly twice the value of **count** upon completion of the acquisition. If you have previously enabled pretrigger mode (by a call to `DAQ_StopTrigger_Config`), NI-DAQ ignores the **count** parameter.

Range: 3 through  $2^{32} - 1$  (except the E Series devices).  
 2 through  $2^{24}$  (E Series devices).  
 2 through  $2^{24} - 3$  (PCI-6110E and PCI-6111E), **count** must be EVEN.  
 2 through  $2^{24}$  (PCI-445X devices).  
 2 through  $2^{32} - 1$  (PCI-455X devices).

**sampleRate** is the sample rate you want in units of pts/s.

Range: Roughly 0.00153 pts/s through 5,000,000 pts/s. The maximum range varies according to the type of device you have and the speed and degree of fragmentation of your disk storage device.



**Note** *If you are using an SCXI-1200 with remote SCXI, the maximum rate will depend on the baud rate setting and count. Refer to the SCXI-1200 User Manual for more details.*

**concat** enables concatenation of data to an existing file. Regardless of the value of **concat**, if the file does not exist, it is created.

- 0: Overwrite file if it exists.
- 1: Concatenate new data to an existing file.

## Using This Function

`DAQ_to_Disk` initiates a synchronous process of acquiring A/D conversion samples and storing them in a disk file. `DAQ_to_Disk` does not return control to your application until NI-DAQ acquires and saves all the samples you want (or until an acquisition error occurs).



**Note** *If you select external start triggering for the DAQ operation, a high-to-low edge at the STARTTRIG\* I/O connector of the MIO-16/16D, the EXTTRIG\* input of the AT-MIO-16F-5, AT-MIO-64F-5, and AT-MIO-16X, or a low-to-high edge at the EXTTRIG input of Lab and 1200 Series devices initiates the DAQ operation. If you are using an E Series device, you need to apply a trigger that you select through the `Select_Signal` or `DAQ_Config` functions to initiate data acquisition. If you are using all E Series devices, see the `Select_Signal` function for information about the external timing signals. Be aware that if you do not apply the start trigger, `DAQ_to_Disk` does not return control to your application. Otherwise, `DAQ_to_Disk` issues a software trigger to initiate the DAQ operation.*

If you enable pretrigger mode, the sample counter does not begin counting acquisitions until you apply a signal at the stop trigger input. Until you apply this signal, the acquisition continues to write data into the disk file. NI-DAQ ignores the value of the **count** parameter



when you enable pretrigger mode. If you do not apply the stop trigger, DAQ\_to\_Disk returns control to your application because, you eventually will run out of disk space.

In any case, you can use Timeout\_Config to establish a maximum length of time for DAQ\_to\_Disk to execute.

## DAQ\_VScale

---

### Format

**status = DAQ\_VScale (deviceNumber, chan, gain, gainAdjust, offset, count, binArray, voltArray)**

### Purpose

Converts the values of an array of acquired binary data and the gain setting for that data to actual input voltages measured.

### Parameters

#### Input

Name	Type	Description
<b>deviceNumber</b>	i16	assigned by configuration utility
<b>chan</b>	i16	channel on which binary reading was taken
<b>gain</b>	i16	gain setting
<b>gainAdjust</b>	f64	multiplying factor to adjust gain
<b>offset</b>	f64	binary offset present in reading
<b>count</b>	u32	length of <b>binArray</b> and <b>voltArray</b>
<b>binArray</b>	[i16]	acquired binary data

#### Output

Name	Type	Description
<b>voltArray</b>	[f64]	double-precision values returned

### Parameter Discussion

**chan** is the onboard channel or AMUX channel on which the binary data was acquired. For devices other than AT-MIO-16X, AT-MIO-64F-5, and E Series devices and DSA devices, this parameter is ignored because the scaling calculation is the same for all of the channels. However, you are encouraged to pass the correct channel number.

**gain** is the gain setting at which NI-DAQ acquired the data in **binArray**. If you used SCXI to take the reading, this gain parameter should be the product of the gain on the SCXI module channel and the gain used by the DAQ device.

**gainAdjust** is the multiplying factor to adjust the gain. Refer to Appendix B, *Analog Input Channel, Gain Settings, and Voltage Calculation*, for the procedure for determining **gainAdjust**. If you do not want to do any gain adjustment, (for example, the ideal gain as specified by the parameter **gain**) you must set **gainAdjust** to 1.

**offset** is the binary offset that needs to be subtracted from **reading**. Refer to Appendix B, *Analog Input Channel, Gain Settings, and Voltage Calculation*, for the procedure for determining offset. If you do not want to do any offset compensation, **offset** must be set to zero. The data type is double to allow for offset fractional LSBs. For example, you could use DAQ\_Op to acquire many samples from a grounded input channel and average them to obtain the offset.

**binArray** is an array of acquired binary data.  
For DSA devices, **binArray** should be an array of i32.

**voltArray** is an array of double-precision values returned by DAQ\_VScale and is the voltage representation of **binArray**.

## Using This Function

Refer to Appendix B, *Analog Input Channel, Gain Settings, and Voltage Calculation*, for the formula used by DAQ\_VScale to calculate voltage from binary reading.

## DIG\_Block\_Check

---

### Format

`status = DIG_Block_Check (deviceNumber, group, remaining)`

### Purpose

Returns the number of items remaining to be transferred after a `DIG_Block_In` or `DIG_Block_Out` call.

### Parameters

#### Input

Name	Type	Description
<code>deviceNumber</code>	i16	assigned by configuration utility
<code>group</code>	i16	group

#### Output

Name	Type	Description
<code>remaining</code>	u32	number of items yet to be transferred

### Parameter Discussion

**group** is the group involved in the asynchronous transfer.

Range: 1 or 2 for most devices.  
1 through 8 for the DIO-96.

**remaining** is the number of items yet to be transferred. The actual number of bytes remaining to be transferred is equal to **remaining** multiplied by the value of **groupSize** specified in the call to `DIG_Grp_Config` or `DIG_SCAN_Setup`.



**Note** *C Programmers:*—**remaining** is a pass-by-reference parameter.

### Using This Function

`DIG_Block_Check` monitors an asynchronous transfer of data started via a `DIG_Block_In` or `DIG_Block_Out` call. If NI-DAQ has completed the transfer, `DIG_Block_Check` automatically calls `DIG_Block_Clear`, which permits NI-DAQ to make a new block transfer call immediately.

## DIG\_Block\_Clear

---

### Format

**status = DIG\_Block\_Clear (deviceNumber, group)**

### Purpose

Halts any ongoing asynchronous transfer, allowing another transfer to be initiated.

### Parameters

#### Input

Name	Type	Description
<b>deviceNumber</b>	i16	assigned by configuration utility
<b>group</b>	i16	group

### Parameter Discussion

**group** is the group involved in the asynchronous transfer.

Range: 1 or 2 for most devices.  
1 through 8 for the DIO-96.

### Using This Function

(AT-DIO-32F only) If you aligned the buffer that you used in the previous call to `DIG_Block_Out` or `DIG_Block_In` by a call to `Align_DMA_Buffer`, `DIG_Block_Clear` unaligns that buffer before returning. Unaligning a buffer means that the data is shifted so that the first data point is located at `buffer[0]`.

After NI-DAQ has started a block transfer, you must call `DIG_Block_Clear` before NI-DAQ can initiate another block transfer. Notice that `DIG_Block_Check` makes this call for you when it sees that NI-DAQ has completed a transfer. `DIG_Block_Clear` does not change any current group assignments, alter the current handshaking settings, or affect the state of the pattern generation mode.

## DIG\_Block\_In

---

### Format

**status = DIG\_Block\_In (deviceNumber, group, buffer, count)**

### Purpose

Initiates an asynchronous transfer of data from the specified group to memory.

### Parameters

#### Input

Name	Type	Description
<b>deviceNumber</b>	i16	assigned by configuration utility
<b>group</b>	i16	group
<b>count</b>	u32	number of items to be transferred

#### Output

Name	Type	Description
<b>buffer</b>	[i16]	data obtained by reading the group

### Parameter Discussion

**group** is the group to be read from.

Range: 1 or 2 for most devices.  
1 through 8 for DIO-96.

**buffer** is an integer array that contains the data obtained by reading the group indicated by **group**. For the DIO-32F and DIO 6533 (DIO-32HS), NI-DAQ uses all 16 bits in each buffer element. Therefore, the size of the array, in bytes, must be at least **count** multiplied by the size of **group**. For all other devices, only the lower 8 bits of each buffer element are used. Therefore, the size of the array in bytes must be at least twice **count** multiplied by the size of **group**.

**count** is the number of items (for example, 8-bit items for a group of size 1, 16-bit items for a group of size 2, and 32-bit items for a group of size 4) to be transferred to the area of memory specified by **buffer** from the group indicated by **group**.

Range: 2 through  $2^{32} - 1$ .

## Using This Function

DIG\_Block\_In initiates an asynchronous transfer of data from a specified group to your buffer. The hardware is responsible for the handshaking details. Call DIG\_Grp\_Config for the DIO-32F and the DIO 6533 (DIO-32HS), or DIG\_SCAN\_Setup for all other devices at least once before calling DIG\_Block\_In. DIG\_Grp\_Config and DIG\_SCAN\_Setup select the group configuration for handshaking.

If you use a DIO-32F or DIO 6533 (DIO-32HS), DIG\_Block\_In writes data to all bytes of your buffer regardless of the group size. If the group size is 1 (which is supported only by the DIO 6533), DIG\_Block\_In writes to the lower eight bits of **buffer**[0] on the first read from the group and the upper eight bits of **buffer**[0] on the second read from the group. For example, if the first read acquired is 0xCD and the second data acquired is 0xAB, **buffer**[0] is 0xABCD. If group size is 2, DIG\_Block\_In writes data from the lower port (port 0 or port 2) to the lower eight bits of **buffer** [0] and data from the higher port (port 1 or port 3) to the upper eight bits of **buffer** [0]. If group size is 4, DIG\_Block\_In writes the data from ports 0 and 1 to **buffer** [0] and the data from ports 2 and 3 to **buffer** [1].



**Note** *On the DIO-32F, you cannot use DIG\_Block\_In with a group of size = 1. On the DIO 6533, you can use DIG\_Block\_In with a group of size = 1, but count must be even in this case.*

If you use any device but a DIO-32F or DIO 6533, NI-DAQ writes to the lower byte of each buffer element with a value read from the group and sets the upper byte of each buffer element to zero. If the group size is 2, the lower byte of **buffer**[0] receives data from the first port in the group and the lower byte of **buffer**[1] receives data from the second port. NI-DAQ sets the upper bytes of **buffer**[0] and **buffer**[1] to 0.

If you have not configured the specified group as an input group, NI-DAQ does not perform the operation and returns an error. If you have assigned no ports to the specified group, NI-DAQ does not perform the operation and returns an error. You can call DIG\_Block\_Check to monitor the status of a transfer initiated by DIG\_Block\_In.

If previously enabled, pattern generation for the DIO-32F or the DIO 6533, begins when you execute DIG\_Block\_In. See *Pattern Generation I/O with the DIO-32F and DIO 6533 (DIO-32HS) Devices* in Chapter 3, *Software Overview*, of the your *NI-DAQ User Manual for PC Compatibles* for important information about pattern generation.

To avoid delays that are caused by AT-bus DMA reprogramming on an AT-DIO-32F or AT-DIO-32HS, you can use dual DMA, or you can align your buffer. For more information about dual DMA, see the Set\_DAQ\_Device\_Info function. The second option, aligning your buffer, works only for the AT-DIO-32F with buffers up to 64K in size.

For the AT-DIO-32F, you can align your buffer by calling Align\_DMA\_Buffer. If you have aligned your buffer with a call to Align\_DMA\_Buffer and have not called DIG\_Block\_Clear (either directly or through DIG\_Block\_Check) to unalign the data,

you must use the value of **alignIndex** return by `Align_DMA_Buffer` to access your data. In other words, data in an aligned buffer begins at `buffer[alignIndex]`. Data in an unaligned buffer begins at `buffer [0]`.



**Note** `DIG_Block_In` *will not work with groups of size = 1, because of a DMA limitation when using the AT-DIO-32F.*



**Note** *If you are using an SCXI-1200 with remote SCXI, count is limited by the amount of memory made available on the remote SCXI unit. For digital buffered input, you are limited to 5,000 bytes of data. The upper bound for count depends on the groupSize set in `DIG_SCAN_Setup` (for example, if `groupSize = 2`, `count ≤ 2,500`).*



## DIG\_Block\_Out

---

### Format

**status = DIG\_Block\_Out (deviceNumber, group, buffer, count)**

### Purpose

Initiates an asynchronous transfer of data from memory to the specified group.

### Parameters

#### Input

Name	Type	Description
<b>deviceNumber</b>	i16	assigned by configuration utility
<b>group</b>	i16	group
<b>buffer</b>	[i16]	array containing the user's data
<b>count</b>	u32	number of items to be transferred

### Parameter Discussion

**group** is the group to be written to.

Range: 1 or 2 for most devices.  
1 through 8 for DIO-96.

**buffer** is an integer array containing your data. NI-DAQ writes the data in this array to the group indicated by **group**. For the DIO-32F and DIO 6533 (DIO-32HS) devices, NI-DAQ uses all 16 bits in each buffer element. Therefore, the size of the array, in bytes, must be at least **count** multiplied by the size of **group**. For all other devices, NI-DAQ uses only the lower 8 bits of each buffer element. Therefore, the size of the array, in bytes, must be at least twice **count** multiplied by the size of **group**.

**count** is the number of items (for example, 8-bit items for a group of size 1, 16-bit items for a group of size 2, and 32-bit items for a group of size 4) to be transferred from the area of memory specified by **buffer** to the group indicated by **group**.

Range: 2 through  $2^{32} - 1$ .

### Using This Function

DIG\_Block\_Out initiates an asynchronous transfer of data from your buffer to a specified group. The hardware is responsible for the handshaking details. Call DIG\_Grp\_Config for the DIO-32F and the DIO 6533 devices, or DIG\_SCAN\_Setup for the other devices at least once before calling DIG\_Block\_Out to select the group configuration for handshaking.

If you use a DIO-32F or a DIO 6533 device, NI-DAQ writes all bytes in your buffer to the group regardless of the group size. If the group size is one (which is supported only by the DIO 6533), DIG\_Block\_Out writes the lower eight bits of **buffer**[0] to the group on the first write and the upper eight bits of **buffer**[0] to the group on the second write. For example, if **buffer**[0] = 0xABCD, NI-DAQ writes 0xCD to the group on the first write, and writes 0xAB to the group on the second write. If group size is 2, DIG\_Block\_Out writes data from the lower eight bits of **buffer** [0] to the lower port (port 0 or port 2) and data from the upper eight bits of **buffer** [0] to the higher port (port 1 or port 3). If group size is 4, DIG\_Block\_Out writes data from **buffer**[0] to ports 0 and 1 and data from **buffer**[1] to ports 2 and 3.

If you use any device but a DIO-32F or a 6533 device, NI-DAQ writes the lower byte of each buffer element to the group in the order indicated in **portList** when you call DIG\_SCAN\_Setup. If the group size is two, on the first write DIG\_Block\_Out writes the lower byte of **buffer**[0] to the first port on **portList** and the lower byte of **buffer**[1] to the last port on **portList**. For example, if **buffer**[0] = 0xABCD and **buffer**[1] is 0x1234, NI-DAQ writes 0xCD to the first port on **portList**, and writes 0x34 to the last port on **portList**.

If you have not configured the specified group as an output group, NI-DAQ does not perform the operation and returns an error. If you have assigned no ports to the specified group, NI-DAQ does not perform the operation and returns an error. You can call DIG\_Block\_Check to monitor the status of a transfer initiated by DIG\_Block\_Out.

If you have previously enabled pattern generation on a DIO-32F or a 6533 device, the generation takes effect upon the execution of DIG\_Block\_Out. To avoid delays due to DMA reprogramming on the AT-DIO-32F or AT-DIO-32HS, you can use dual DMA (see the Set\_DAQ\_Device\_Info function), or you can align your data using the Align\_DMA\_Buffer function (AT-DIO-32F only). See the *Pattern Generation I/O with the DIO-32F and DIO 6533 (DIO-32HS)* section in Chapter 3, *Software Overview*, of the *NI-DAQ User Manual for PC Compatibles* for important information about pattern generation.



**Note** DIG\_Block\_Out *will not work with groups of size = 1, because of a DMA limitation when using the AT-DIO-32F.*



**Note** *If you are using an SCXI-1200 with remote SCXI, count is limited by the amount of memory made available on the remote SCXI unit. For digital buffered output, you are limited to 5,000 bytes of data. The upper bound for count depends on the groupSize set in DIG\_SCAN\_Setup (for example, if groupSize = 2, count ≤ 2,500).*

## DIG\_Block\_PG\_Config

---

### Format

**status = DIG\_Block\_PG\_Config (deviceNumber, group, config, reqSource, timebase, reqInterval, externalGate)**

### Purpose

Enables or disables the pattern generation mode of buffered digital I/O. When pattern generation is enabled, this function also determines the source of the request signals and, if these are internal, the signal rate and gating mode.

### Parameters

#### Input

Name	Type	Description
<b>deviceNumber</b>	i16	assigned by configuration utility
<b>group</b>	i16	group
<b>config</b>	i16	enables or disables pattern generation
<b>reqSource</b>	i16	source of the request signals
<b>timebase</b>	i16	timebase value
<b>reqInterval</b>	u16	number of <b>timebase</b> units between request signals
<b>externalGate</b>	i16	enables or disables external gating

### Parameter Discussion

**group** is the group for which pattern generation is to be enabled or disabled.

Range: 1 or 2.

**config** is a flag that enables or disables pattern generation.

- 0: Disable pattern generation.
- 1: Enable pattern generation using request-edge latching output (input always uses request-edge latching).
- 2: Enable pattern generation without request-edge latching (input always uses request-edge latching).

#### **reqSource**

- 0: Internal. The board generates requests internally from onboard counters.
- 1: External. The board accepts requests from the REQ pin on the I/O connector.

- 2: Change detection (DIO 6533 (DIO-32HS) input groups only). The board generates an internal request whenever it detects a change on a significant input pin.

When using internally generated requests (reqSource 0 or 2), the REQ signal is an output; do not drive any external signal onto the REQ pin of the I/O connector.

NI-DAQ considers all of the group's lines significant for change detection by default. However, you can set a mask specifying that only certain lines should be compared. The same lines that are significant for pattern detection, if used, are also significant for change detection. If you are using pattern-detection messaging (**DAQEvent 7 or 8**), use the **DAQTrigVal0** parameter of the `Config_DAQ_Event_Message` function to set the pattern-and-change-detection mask. Otherwise, use the line-mask parameter of the `DIG_Trigger_Config` function. When using the `DIG_Trigger_Config` function to set a line mask, you do not need to select any particular start trigger, stop trigger, or search pattern.

**timebase** determines the amount of time that elapses during a single **reqInterval**. The following values are possible for **timebase**:

- 3: 50 ns (DIO 6533 [DIO-32HS] only).
- 1: 1  $\mu$ s.
- 2: 10  $\mu$ s.
- 3: 100  $\mu$ s.
- 4: 1 ms.
- 5: 10 ms.

**reqInterval** is a count of the number of **timebase** units of time that elapses between internally produced request signals.  
Range: 2 through 65,535.

**externalGate** is an absolute parameter and should be set to 0. The AT-DIO-32F does support external gating but this simply requires making a connection at the I/O connector. If you use external gating for group 1, the signal connected to IN1 gates the pattern. If you use external gating for group 2, the signal connected to IN2 gates the pattern. For an AT-DIO-32F, the signal at IN $x$  must be high to enable the pattern. The DIO 6533 (DIO-32HS) devices use triggering instead of gating; for more information, refer to the `DIG_Trigger_Config` function.

## Using This Function

`DIG_Block_PG_Config` enables or disables the pattern generation mode of digital I/O. If the **config** parameter equals 1 or 2, any subsequent `DIG_Block_In` or `DIG_Block_Out` call initiates a pattern generation operation. Pattern generation differs from handshaking I/O in that NI-DAQ produces the request signals at regularly clocked intervals. If **reqSource** equals 0, the **timebase** parameter equals 2, and the **reqInterval** parameter equals 10, NI-DAQ reads a new pattern from or writes a pattern to a group every 100  $\mu$ s.

DIG\_Block\_PG\_Config enables or disabled the pattern generation mode of digital I/O. If the **config** parameter equals 1 or 2, any subsequent DIG\_Block\_In or DIG\_Block\_Out call initiates a pattern generation operation. Pattern generation mode overrides any two-way handshaking mode set by the DIG\_Grp\_Mode function.

The primary difference between pattern generation and two-way handshaking is that in pattern generation timing information travels in only one direction, over the REQ line. The board can generate request signals at regularly clocked intervals (internal mode), or you provide request signals to the board (external mode), or the board generates request signals whenever the input data changes (change detection). Either there is no return handshake on the ACK line (DIO 6533), or the return handshake can be ignored (DIO-32F).

On the DIO 6533, pattern generation mode enables some additional features:

- You can enable start and stop triggers using DIG\_Trigger\_Config.
- NI-DAQ monitors the transfer speed, and the DIG\_Block\_Check function returns an error message if the system is unable to keep up with the programmed transfer rate (internal requests) or the rate of request pulses (external requests or pattern generation).

Only the DIO 6533 boards support change detection. In this mode, the board generates an internal request any time it detects activity on the group's significant input lines. As long as the rate of change is within the board's change-detection limits, the board captures exactly one copy of each new input pattern.

If you set a pattern mask for change detection, you can select a subset of the group's input lines to be significant. However, when the board detects a change, it acquires data from all of the group's input lines, whether masked or not.

Using change detection mode in conjunction with the Configure\_DAQ\_Event\_Message function, you can also receive a message every time the input data changes. Use the Configure\_DAQ\_Event\_Message function to generate a message after each pattern is acquired. To ensure best precision in messaging, use the interrupt-driven data transfer method. Otherwise, messages might be delayed. You can use the Set\_DAQ\_Device\_Info function to select a transfer method.

On the DIO-32F, the advantage of using double-buffered output is that the variability in update intervals is reduced to an absolute minimum, producing the highest quality output at high update rates. The disadvantage is that the first ACK pulse produced by the device is not preceded by the first pattern. Instead, the second ACK pulse signals the generation of the first pattern. Also, the last pattern generated is not followed by an ACK pulse. The advantage of single-buffered output is the elimination of these ACK pulse irregularities. The first ACK pulse signals generation of the first pattern and the last pattern is followed by a final ACK pulse. The disadvantage of single-buffered output is that at high update rates, variations in DMA bus arbitration times can increase the variability in update intervals, reducing the overall quality of the digital patterns.

On the DIO 6533 (DIO-32HS), output is always double-buffered, thus minimizing the variability in update intervals. In addition, the ACK pulse irregularities are not present. Therefore, values 1 and 2 for the config parameter are equivalent for the DIO 6533.

## DIG\_DB\_Config

---

### Format

**status = DIG\_DB\_Config (deviceNumber, group, dbMode, oldDataStop, partialTransfer)**

### Purpose

Enables or disables double-buffered digital transfer operations and sets the double-buffered options.

### Parameters

#### Input

Name	Type	Description
<b>deviceNumber</b>	i16	assigned by configuration utility
<b>group</b>	i16	group
<b>dbMode</b>	i16	enable or disable double-buffered mode
<b>oldDataStop</b>	i16	enable or disable regeneration of old data
<b>partialTransfer</b>	i16	enable or disable transfer of final partial half buffer

### Parameter Discussion

**group** is the group to be configured.

Range: 1 or 2.

**dbMode** indicates whether to enable or disable the double-buffered mode of digital transfer.

0: Disable double buffering (default).

1: Enable double buffering.

**oldDataStop** is a flag whose value enables or disables the mechanism whereby the function stops the digital block output when NI-DAQ is about to output old data a second time. For digital block input, **oldDataStop** enables or disables the mechanism whereby the function stops the input operation before NI-DAQ overwrites unretrieved data.

0: Allow regeneration of data.

1: Disallow regeneration of data.

**partialTransfer** is a flag whose value enables or disables the mechanism whereby NI-DAQ can transfer a final partial half buffer to the digital output block through a `DIG_DB_Transfer` call. The function stops digital block output when NI-DAQ has output the partial half. This field is ignored for input groups.

- 0: Disallow partial half buffer transfer.
- 1: Allow partial half buffer transfer.

## Using This Function

Double-buffered digital block functions cyclically input or output digital data to or from a buffer. The buffer is divided into two equal halves so that NI-DAQ can save or write data from one half while block operations use the other half. For input, this mechanism makes it necessary to alternately save both halves of the buffer so that NI-DAQ does not overwrite data in the buffer before saving the data. For output, the mechanism makes it necessary to alternately write to both halves of the buffer so that NI-DAQ does not output old data. Use `DIG_DB_Transfer` to save or write the data as NI-DAQ is inputting or outputting the data. You should call `DIG_Block_Clear` to stop the continuous cyclical double-buffered digital operation started by `DIG_Block_Out` or `DIG_Block_In`.

Refer to Chapter 5, *NI-DAQ Double Buffering*, of the *NI-DAQ User Manual for PC Compatibles* for an explanation of double buffering.

For the AT-DIO-32F and AT-DIO-32HS, enabling either **oldDataStop** or **partialTransfer** causes an artificial split in the digital block buffer, which requires DMA reprogramming at the end of each half buffer. For a group that is configured for handshaking, this means that a pause in data transfer can occur while NI-DAQ reprograms the DMA. For a group configured for pattern generation, this can cause glitches in the digital input or output pattern (time lapses greater than the programmed period) during DMA reprogramming. Therefore, you should enable these options only if necessary.



## DIG\_DB\_HalfReady

---

### Format

**status** = DIG\_DB\_HalfReady (**deviceNumber**, **group**, **halfReady**)

### Purpose

Checks whether the next half buffer of data is available during a double-buffered digital block operation. You can use DIG\_DB\_HalfReady to avoid the waiting period that can occur because DIG\_DB\_Transfer waits until NI-DAQ can transfer the data before returning.

### Parameters

#### Input

Name	Type	Description
<b>deviceNumber</b>	i16	assigned by configuration utility
<b>group</b>	i16	group

#### Output

Name	Type	Description
<b>halfReady</b>	i16	whether the next half of data is available

### Parameter Discussion

**group** is the group to be configured.

Range: 1 or 2.

**halfReady** indicates whether the next half buffer of data is available. When **halfReady** equals one, you can use DIG\_DB\_Transfer to read or write the data immediately. When **halfReady** equals zero, the data is not yet available.



**Note** *C Programmers*—**halfReady** is a pass-by-reference parameter.

### Using This Function

Double-buffered digital block functions cyclically input or output digital data to or from a buffer. The buffer is divided into two equal halves so that NI-DAQ can save or write data from one half while block operations use the other half. For input, this mechanism makes it necessary to alternately save both halves of the buffer so that NI-DAQ does not overwrite data in the buffer before saving the data. For output, the mechanism makes it necessary to alternately write to both halves of the buffer so that NI-DAQ does not output old data. Use DIG\_DB\_Transfer to save or write the data NI-DAQ is inputting or outputting the data. This

function, when called, waits until NI-DAQ can complete the data transfer before returning. During slower paced digital block operations this waiting period can be significant. You can use DIG\_DB\_HalfReady so that the transfer functions are called only when NI-DAQ can make the transfer immediately.

Refer to Chapter 5, *NI-DAQ Double Buffering*, of the *NI-DAQ User Manual for PC Compatibles* for an explanation of double buffering.

## DIG\_DB\_Transfer

---

### Format

**status** = DIG\_DB\_Transfer (**deviceNumber**, **group**, **halfBuffer**, **ptsTfr**)

### Purpose

For an input operation, DIG\_DB\_Transfer waits until NI-DAQ can transfer half the data from the buffer being used for double-buffered digital block input to another buffer, which NI-DAQ passes to the function. For an output operation, DIG\_DB\_Transfer waits until NI-DAQ can transfer the data from the buffer passed to the function to the buffer being used for double-buffered digital block output. You can execute DIG\_DB\_Transfer repeatedly to read or write sequential half buffers of data.

### Parameters

#### Input

Name	Type	Description
<b>deviceNumber</b>	i16	assigned by configuration utility
<b>group</b>	i16	group
<b>ptsTfr</b>	u32	points to transfer

#### Input/Output

Name	Type	Description
<b>halfBuffer</b>	[i16]	array to which or from which the data is to be transferred

### Parameter Discussion

**group** is the group to be configured.

Range: 1 or 2.

**halfBuffer** is the integer array to which or from which NI-DAQ is to transfer the data. The size of the array must be at least half the size of the circular buffer being used for the double-buffered digital block operation.

**ptsTfr** is only used for output groups with partial transfers enabled. If you have set the partial transfer flag, NI-DAQ can make a transfer to the digital output buffer of less than or equal to half the buffer size, as specified by this field. However, the function will halt the double-buffered digital operation when NI-DAQ makes a transfer of less than half the buffer

size. NI-DAQ ignores this field for all other cases (input or output without partial transfers enabled) and the transfer count is equal to half the buffer size.

Range: 0 to half the size of the digital block buffer.

## Using This Function

If you have set the partial transfer flag for an output group, the **ptsTfr** field allows NI-DAQ to make transfers of less than half the buffer size to an output buffer. This is useful when NI-DAQ must output a long stream of data but the amount of data is not evenly divisible by half the buffer size. If **ptsTfr** is equal to half the buffer size, the transfer is identical to a transfer without the partial transfer flag set. If **ptsTfr** is less than half the buffer size, however, NI-DAQ makes the transfer to the circular output buffer and alters the DMA reprogramming information so that the digital output operation will halt after the new data is output.

Refer to Chapter 5, *NI-DAQ Double Buffering*, of the *NI-DAQ User Manual for PC Compatibles* for an explanation of double buffering and possible error and warning conditions.

## DIG\_Grp\_Config

---

### Format

**status = DIG\_Grp\_Config (deviceNumber, group, groupSize, port, dir)**

### Purpose

Configures the specified group for port assignment, direction (input or output), and size.

### Parameters

#### Input

Name	Type	Description
<b>deviceNumber</b>	i16	assigned by configuration utility
<b>group</b>	i16	group
<b>groupSize</b>	i16	size of the group
<b>port</b>	i16	digital I/O port assigned to the group
<b>dir</b>	i16	input or output

### Parameter Discussion

**group** is the group to be configured.

Range: 1 or 2 for the DIO 6533 devices and the AT-DIO-32F.

**groupSize** indicates the size of the group. The following values are permitted for **groupSize**:

- 0: Unassign any ports previously assigned to **group**.
- 1: One port assigned (8-bit group) to **group**.
- 2: Two ports assigned (16-bit group) to **group**.
- 4: Four ports assigned (32-bit group) to **group**.



#### Note

*For the DIO-32F, you must use port = 0 or 1 if group = 1, and port = 2 or 3 if group = 2.*



#### Note

*For the DIO-32F, block operations are not allowed for groups of size =1. For the DIO 6533 (DIO-32HS), you can use block operations for groups of size 1 if you set group = 1 and port = 0, or group = 2 and port = 2.*

**port** indicates the digital I/O port or ports assigned to the group. The assignments made depend on the values of **port** and of **groupSize**:

- groupSize** = 1      **port** = 0 assigns port 0 (A).
- port** = 1 assigns port 1 (B).

	<b>port</b> = 2 assigns port 2 (C).
	<b>port</b> = 3 assigns port 3 (D).
<b>groupSize</b> = 2	<b>port</b> = 0 assigns ports 0 and 1 (A and B).
	<b>port</b> = 2 assigns ports 2 and 3 (C and D).
<b>groupSize</b> = 4	<b>port</b> = 0 assigns ports 0, 1, 2, and 3 (A, B, C, and D).

**dir** indicates the direction, input, or output for which the group is to be configured.

- 0: **port** is configured as an input port (default).
- 1: **port** is configured as an output port.
- 3: **port** is configured as an input port with request-edge latching disabled.
- 4: **port** is configured as an output port with request-edge latching enabled.

## Using This Function

DIG\_Grp\_Config configures the specified group according to the port assignment and direction. If **groupSize** = 0, NI-DAQ releases any ports assigned to the group specified by **group** and clears the group handshake circuitry. If **groupSize** = 1, 2, or 4, NI-DAQ assigns the specified ports to the group and configures the ports for the specified direction. NI-DAQ subsequently writes to or reads from ports assigned to a group using the DIG\_In\_Grp and DIG\_Out\_Grp or the DIG\_Block\_In and DIG\_Block\_Out functions. NI-DAQ can no longer access any ports assigned to a group through any of the nongroup calls listed previously. Only the DIG\_Block calls can use a group of size 4.

If you are using an AT-DIO-32F and intend to perform block I/O, you are limited to group sizes of 2 and 4. If you are using a DIO 6533 (DIO-32HS) and intend to perform block I/O, you also can use a group size of 1. After system startup, no ports are assigned to groups. See your hardware user manual for information about group handshake timing.

## DIG\_Grp\_Mode

---

### Format

**status = DIG\_Grp\_Mode (deviceNumber, group, protocol, edge, reqPol, ackPol, delayTime)**

### Purpose

Configures the specified group for handshake signal modes.

### Parameters

#### Input

Name	Type	Description
<b>deviceNumber</b>	i16	assigned by configuration utility
<b>group</b>	i16	group
<b>protocol</b>	i16	basic handshaking system
<b>edge</b>	i16	rising-edge or falling-edge pulsed signals
<b>reqPol</b>	i16	request signal is to be active high or active low
<b>ackPol</b>	i16	acknowledge handshake signal is to be active high or active low
<b>delayTime</b>	i16	data settling time allowed

### Parameter Discussion

**group** is the group to be configured.

Range: 1 or 2.

**protocol** indicates the basic handshaking mode. Refer to your device user manual for details on using the **protocol** parameter.

Range is 0 through 2 for the DIO-32F, or 0 through 4 for the DIO 6533 (DIO-32HS).

- 0: Group is configured for held-ACK (level-ACK) handshake protocol.
- 1: Group is configured for pulsed-ACK handshake protocol.
- 2: Group is configured for pulsed-ACK handshake protocol with variable ACK pulse width.
- 3: Group is configured for synchronous burst handshaking, using the REQ, ACK, and PCLK signals.
- 4: Group is configured to emulate 8255 (DIO-24) handshake timing.



#### Note

***This function does not support variable-length ACK pulse width (signal = 2) on AT-DIO-32F Revision B and earlier.***

**edge** indicates whether the group is to be configured for leading-edge or trailing-edge pulsed signals. **edge** is valid only if **protocol** = 1 or 2.

- 0: Group is configured for leading-edge pulsed handshake signals.
- 1: Group is configured for trailing-edge pulsed handshake signals. This setting does not support variable ACK pulse width (**protocol** = 2).

**reqPol** indicates whether the group request signal is to be active high or active low. **reqPol** is ignored if **protocol** = 4. **protocol** 4 always uses an active low request signal.

- 0: Group is configured for active high (non-inverted) request handshake signal polarity.
- 1: Group is configured for active low (inverted) request handshake signal polarity.

**ackPol** indicates whether the group acknowledge handshake signal is to be active high or active low. **ackPol** is ignored if **protocol** = 4. **protocol** 4 always uses an active low acknowledge signal.

- 0: Group is configured for active high (non-inverted) acknowledge handshake signal polarity.
- 1: Group is configured for active low (inverted) acknowledge handshake signal polarity.

**delayTime** indicates a data-settling period, in multiples of 100 ns, inserted into the handshaking protocol. The delay slows down the data transfer, increasing setup and hold times. The effect of the delay varies by handshaking protocol. If **protocol** = 0, or **protocol** = 1 and **edge** = 0, the **delayTime** delays the generation of the ACK signal. If **protocol** = 2, or **protocol** = 1 and **edge** = 1, the **delayTime** increases the duration of the ACK pulse. If **protocol** = 3, the **delayTime** specifies the PCLK period (minimum of 50 ns for a **delayTime** of zero), and applies only when the PCLK is internally generated. On a DIO 6533 (DIO-32HS), which can perform rapid back-to-back transfer cycles, the delay time also increases the minimum delay between cycles for protocols 0, 2, and 4. This is the only effect of **delayTime** on **protocol** 4. For more information on programmable delays, see your device's user manual.

Range: 0 through 7.

- 0: No settling time, or a PCLK period of 50 ns.
- 1: 100 ns settling time or PCLK period.
- 7: 700 ns settling time or PCLK period.

## Using This Function

DIG\_Grp\_Mode configures the group handshake signals according to the specified parameters, after you use DIG\_Grp\_Config to select a port assignment and direction. After initialization, the default handshake mode for each group is as follows:

**protocol** = 0: held-ACK (level-ACK) handshake protocol.

**edge** = 0: **edge** parameter not valid because **protocol** = 0.

**reqPol** = 0: Request handshake signal is not inverted (active high).



**ackPol** = 0: Acknowledge handshake signal is not inverted (active high).

**delayTime** = 0: Settling time is 0 ns.

You need to call `DIG_Grp_Mode` only if you need a different handshake mode. Refer to your board's user manual for information about handshake timing and mode information.



**Note**

*(AT-DIO-32F Revision B boards only) Do not use a leading-edge, pulsed handshaking signal for an input group. NI-DAQ cannot latch the data into the port in this mode and, if new data is presented to the port before NI-DAQ reads and saves the old data, the old data is lost.*

## DIG\_Grp\_Status

---

### Format

**status = DIG\_Grp\_Status (deviceNumber, group, handshakeStatus)**

### Purpose

Returns a handshake status word indicating whether the specified group is ready to be read (input group) or written (output group). For the DIO 6533 (DIO-32HS), this function also initiates the handshaking process if not previously initiated.

### Parameters

#### Input

Name	Type	Description
<b>deviceNumber</b>	i16	assigned by configuration utility
<b>group</b>	i16	group

#### Output

Name	Type	Description
<b>handshakeStatus</b>	i16	handshake status

### Parameter Discussion

**group** is the group whose handshake status is to be obtained.

Range: 1 or 2.

**handshakeStatus** returns the handshake status of the group. **handshakeStatus** can be either 0 or 1. The significance of **handshakeStatus** depends on the configuration of the group. If the group is configured as an input group, **handshakeStatus** = 1 indicates that the group has acquired data and that NI-DAQ can read data from the group. If the group is configured as an output group, **handshakeStatus** = 1 indicates that the group is ready to accept output data and that NI-DAQ can write new data to the group.



**Note** *C Programmers*—**handshakeStatus** is a pass-by-reference parameter.

### Using This Function

DIG\_Grp\_Status reads the handshake status of the specified group and returns an indication of the group status in **handshakeStatus**. DIG\_Grp\_Status, along with DIG\_Out\_Grp and DIG\_In\_Grp, facilitates handshaking of digital data between systems. If the specified group is configured as an input group and DIG\_Grp\_Status returns **handshakeStatus** = 1,

`DIG_In_Grp` can fetch the data an external device has latched in. If the specified group is configured as an output group and `DIG_Grp_Status` returns **handshakeStatus** = 1, `DIG_Out_Grp` can write the next piece of data to the external device. If the specified group is not assigned any ports, NI-DAQ returns an error code and **handshakeStatus** = 0.

You must call `DIG_Grp_Config` to assign ports to a group and to configure a group for data direction. Group configuration is discussed under the `DIG_Grp_Config` description.

For the DIO-32F, the state of **handshakeStatus** corresponds to the state of the DRDY bit. Refer to your device user manual for handshake timing details.

# DIG\_In\_Grp

---

## Format

status g DIG\_In\_Grp (deviceNumber, group, groupPattern)

## Purpose

Reads digital input data from the specified digital group.

## Parameters

### Input

Name	Type	Description
deviceNumber	i16	assigned by configuration utility
group	i16	group

### Output

Name	Type	Description
groupPattern	i16	digital data read from the ports

## Parameter Discussion

**group** is the group to be read from.

Range: 1 or 2.

**groupPattern** returns the digital data read from the ports in the specified group.

**groupPattern** is mapped to the digital input ports making up the group in the following way:

- If the group contains one port, NI-DAQ returns the eight bits read from that port in the low-order eight bits of **groupPattern**.
- If the group contains two ports, NI-DAQ returns the 16 bits read from those ports in the following way: if the group contains ports 0 and 1, NI-DAQ returns the value read from port 0 in the low-order eight bits, and NI-DAQ returns the value read from port 1 in the high-order eight bits. If the group contains ports 2 and 3, NI-DAQ returns the value read from port 2 in the low-order eight bits, and NI-DAQ returns the value read from port 3 in the high-order eight bits. NI-DAQ reads from the two ports simultaneously.
- If the group contains four ports, NI-DAQ returns a **deviceSupportError**. Use DIG\_Block\_In to read a group containing four ports.



**Note** *C Programmers*—**groupPattern** is a pass-by-reference parameter.

## Using This Function

`DIG_In_Grp` returns digital data from the group on the specified device. If the group is configured as an input group, reading that group returns the digital logic state of the lines of the ports in the group as some external device is driving them. If the group is configured as an output group and has read-back capability, reading the group returns the output state of that group. If no ports have been assigned to the group, NI-DAQ does not perform the operation and returns an error code. You must call `DIG_Grp_Config` to assign ports to a group and to configure the group as an input or output group.

## DIG\_In\_Line

---

### Format

**status = DIG\_In\_Line (deviceNumber, port, line, state)**

### Purpose

Returns the digital logic state of the specified digital line in the specified port.

### Parameters

#### Input

Name	Type	Description
<b>deviceNumber</b>	i16	assigned by configuration utility
<b>port</b>	i16	digital I/O port number
<b>line</b>	i16	digital line to be read

#### Output

Name	Type	Description
<b>state</b>	i16	returns the digital logic state

### Parameter Discussion

**port** is the digital I/O port number.

Range: 0 or 1 for the AT-AO-6/10, DAQCard-500/700, PC-TIO-10, PC-OPDIO-16, AO-2DC, Am9513-based, 516 and LPM devices.  
 0 for the E Series devices, except the AT-MIO-16DE-10.  
 0 through 2 for the DIO-24 and Lab and 1200 Series devices.  
 0 and 2 through 4 for the AT-MIO-16DE-10.  
 0 through 3 for the VXI-AO-48XDC.  
 0 through 4 for the DIO-32F, DIO 6533 (DIO-32HS), and AT-MIO-16D.  
 0 through 11 for the DIO-96.  
 0 through 15 for the VXI-DIO-128.  
 0 for the PCI-4451 and PCI-4452.  
 0 through 3 for the PCI-4551 and PCI-4552.

**line** is the digital line to be read.

Range: 0 through  $k-1$ , where  $k$  is the number of digital I/O lines making up the port.

**state** returns the digital logic state of the specified line.

- 0: The specified digital line is at a digital logic low.
- 1: The specified digital line is at a digital logic high.



**Note** *C Programmers—state is a pass-by-reference parameter.*

## Using This Function

DIG\_In\_Line returns the digital logic state of the specified digital line in the specified port. If the specified port is configured as an input port, NI-DAQ determines the state of the specified line by the way in which some external device is driving it. If the port or line is configured for output as an output port and the port has read-back capability, NI-DAQ determines the state of the line by the way in which that port itself is driving it. Reading a line configured for output on the PC-TIO-10 or an E Series device returns a warning stating that NI-DAQ has read an output line.

## DIG\_In\_Port

---

### Format

**status = DIG\_In\_Port (deviceNumber, port, pattern)**

### Purpose

Returns digital input data from the specified digital I/O port.

### Parameters

#### Input

Name	Type	Description
<b>deviceNumber</b>	i16	assigned by configuration utility
<b>port</b>	i16	digital I/O port number

#### Output

Name	Type	Description
<b>pattern</b>	i16	8-bit digital data read from the specified port

### Parameter Discussion

**port** is the digital I/O port number.

Range: 0 or 1 for the AT-AO-6/10, DAQCard-500/700, PC-TIO-10, PC-OPDIO-16, 516 devices, AO-2DC, Am9513-based MIO devices, and LPM devices.  
 0 for the E Series devices, except the AT-MIO-16DE-10.  
 0 through 2 for the DIO-24 and Lab and 1200 Series devices.  
 0 and 2 through 4 for the AT-MIO-16DE-10.  
 0 through 3 for the VXI-AO-48XDC.  
 0 through 4 for the DIO-32F, DIO 6533 (DIO-32HS), and AT-MIO-16D.  
 0 through 11 for the DIO-96.  
 0 through 15 for the VXI-DIO-128.  
 0 for the PCI-4451 and PCI-4452.  
 0 through 3 for the PCI-4551 and PCI-4552.

**pattern** returns the 8-bit digital data read from the specified port. NI-DAQ maps **pattern** to the digital input lines making up the port such that bit 0, the least significant bit, corresponds to digital input line 0. The high eight bits of **pattern** are always 0. If the port is less than eight bits wide, NI-DAQ also sets the bits in the low-order byte of **pattern** that do not correspond to lines in the port to 0. For example, because ports 0 and 1 on the Am9513-based boards are



four bits wide, only bits 0 through 3 of **pattern** reflect the digital state of these ports, while NI-DAQ sets all other bits of **pattern** to 0.



**Note** *C Programmers*—**pattern** is a pass-by-reference parameter.

## Using This Function

DIG\_In\_Port reads digital data from the port on the specified device. If the port is configured as an input port, reading that port returns the digital logic state of the lines as some external device is driving them. If the port is configured as an output port and has read-back capability, reading the port returns the output state of that port, along with a warning that NI-DAQ has read an output port.

## DIG\_Line\_Config

---

### Format

**status = DIG\_Line\_Config (deviceNumber, port, line, dir)**

### Purpose

Configures a specific line on a port for direction (input or output).

### Parameters

#### Input

Name	Type	Description
<b>deviceNumber</b>	i16	assigned by configuration utility
<b>port</b>	i16	digital I/O port number
<b>line</b>	i16	digital line
<b>dir</b>	i16	direction, input, or output

### Parameter Discussion

**port** is the digital I/O port number.

Range: 0 for the E Series devices.  
 0 through 1 for the PC-TIO-10.  
 0 through 3 for the DIO 6533 (DIO-32HS) and the VXI-AO-48XDC.  
 0 through 15 for the VXI-DIO-128.  
 0 for the PCI-4451 and PCI-4452.  
 0 through 3 for the PCI-4551 and PCI-4552.

**line** is the digital line for which to configure.

Range: 0 through 7.

**dir** indicates the direction, input or output, to which the line is to be configured.

- 0: Line is configured as an input line (default).
- 1: Line is configured as an output line.
- 3: Line is configured as an output line with a wired-OR (open collector) driver (DIO 6533 only).

### Using This Function

With this function, a PC-TIO-10, DIO 6533, VXI-AO-48XDC, E Series, or DSA port can have any combination of input and output lines. Use `DIG_Prt_Config` to set all lines on the port to be either all input or all output lines.

## DIG\_Out\_Grp

---

### Format

**status = DIG\_Out\_Grp (deviceNumber, group, groupPattern)**

### Purpose

Writes digital output data to the specified digital group.

### Parameters

#### Input

Name	Type	Description
<b>deviceNumber</b>	i16	assigned by configuration utility
<b>group</b>	i16	group
<b>groupPattern</b>	i16	digital data to be written

### Parameter Discussion

**group** is the group to be written to.

Range: 1 or 2.

**groupPattern** is the digital data to be written to the specified port. NI-DAQ maps **groupPattern** to the digital output ports making up the group in the following way:

- If the group contains one port, NI-DAQ writes the low-order eight bits of **groupPattern** to that port.
- If the group contains two ports, NI-DAQ writes all 16 bits of **groupPattern** to those ports. If the group contains ports 0 and 1, NI-DAQ writes the low-order eight bits to port 0 and the high-order eight bits to port 1. If the group contains ports 2 and 3, NI-DAQ writes the low-order eight bits to port 2 and the high-order eight bits to port 3. NI-DAQ writes to the two ports simultaneously.
- If the group contains four ports, NI-DAQ returns a **deviceSupportError**. Use `DIG_Block_Out` to write to a group containing four ports.

### Using This Function

`DIG_Out_Grp` writes the specified digital data to the group on the specified device. If you have not configured the specified group as an output group, NI-DAQ does not perform the operation and returns an error. If you have assigned no ports to the specified group, NI-DAQ does not perform the operation and returns an error. You must call `DIG_Grp_Config` to configure a group.

## DIG\_Out\_Line

---

### Format

**status = DIG\_Out\_Line (deviceNumber, port, line, state)**

### Purpose

Sets or clears the specified digital output line in the specified digital port.

### Parameters

#### Input

Name	Type	Description
<b>deviceNumber</b>	i16	assigned by configuration utility
<b>port</b>	i16	digital I/O port number
<b>line</b>	i16	digital output line
<b>state</b>	i16	new digital logic state

### Parameter Discussion

**port** is the digital I/O port number.

Range: 0 or 1 for the AT-AO-6/10, DAQCard-500/700, PC-TIO-10, PC-OPDIO-16, 516 devices, AO-2DC, Am9513-based MIO devices, and LPM devices.  
 0 for the E Series devices, except the AT-MIO-16DE-10.  
 0 through 2 for the DIO-24 and Lab and 1200 Series devices.  
 0 and 2 through 4 for the AT-MIO-16DE-10.  
 0 through 3 for the VXI-AO-48XDC.  
 0 through 4 for the DIO-32F, DIO 6533 (DIO-32HS), and AT-MIO-16D.  
 0 through 11 for the DIO-96.  
 8 through 15 for the VXI-DIO-128.  
 0 for the PCI-4451 and PCI-4452.  
 0 through 3 for the PCI-4551 and PCI-4552.

**line** is the digital output line to be written to.

Range: 0 through  $k-1$ , where  $k$  is the number of digital I/O lines making up the port.

**state** contains the new digital logic state of the specified line.

- 0: The specified digital line is set to digital logic low.
- 1: The specified digital line is set to digital logic high.

## Using This Function

DIG\_Out\_Line sets the digital line in the specified port to the specified state. The remaining digital output lines making up the port are not affected by this call. If the port is configurable and you have not configured the port as an output port, NI-DAQ does not perform the operation and returns an error. Except for the PC-TIO-10, the DIO 6533 (DIO-32HS), the VXI-AO-48XDC, E Series, or DSA device, you must call DIG\_Prt\_Config to configure a digital I/O port as an output port. On the PC-TIO-10, DIO 6533, VXI-AO-48XDC, E Series, or DSA device, you need only configure the specified line for output using DIG\_Prt\_Config or DIG\_Line\_Config.

**Note**

*Connecting one or more AMUX-64T boards or an SCXI chassis to an MIO or AI device causes DIG\_Out\_Line to return a badInputValError when called with port equal to 0 and line equal to one of the following values:*

**One AMUX-64T device—line equal to 0 or 1.**

**Two AMUX-64T devices—line equal to 0, 1, or 2.**

**Four AMUX-64T devices—line equal to 0, 1, 2, or 3.**

**An SCXI chassis—line equal to 0, 1, or 2 (and 4 for the E Series devices only).**

## DIG\_Out\_Port

---

### Format

**status = DIG\_Out\_Port (deviceNumber, port, pattern)**

### Purpose

Writes digital output data to the specified digital port.

### Parameters

#### Input

Name	Type	Description
<b>deviceNumber</b>	i16	assigned by configuration utility
<b>port</b>	i16	digital I/O port number
<b>pattern</b>	i16	8-bit digital pattern for the data written

### Parameter Discussion

**port** is the digital I/O port number.

Range: 0 or 1 for the AT-AO-6/10, DAQCard-500/700, PC-TIO-10, PC-OPDIO-16, 516 devices, AO-2DC, Am9513-based MIO devices, and LPM devices.  
 0 for the E Series devices, except the AT-MIO-16DE-10.  
 0 through 2 for the DIO-24 and Lab and 1200 Series devices.  
 0 and 2 through 4 for the AT-MIO-16DE-10.  
 0 through 3 for the VXI-AO-48XDC.  
 0 through 4 for the DIO-32F, DIO 6533 (DIO-32HS), and AT-MIO-16D.  
 0 through 11 for the DIO-96.  
 8 through 15 for the VXI-DIO-128.  
 0 for the PCI-4451 and PCI-4452.  
 0 through 3 for the PCI-4551 and PCI-4552.

**pattern** is the 8-bit digital pattern for the data written to the specified port. NI-DAQ ignores the high eight bits of **pattern**. NI-DAQ maps the low eight bits of **pattern** to the digital output lines making up the port so that bit 0, the least significant bit, corresponds to digital output line 0. If the port is less than eight bits wide, fewer than eight **pattern** bits affect the port, or some of the bits are not configured for port output. For example, because ports 0 and 1 on the Am9513-based boards are four bits wide, only bits 0 through 3 of **pattern** affect the digital output state of these ports.

## Using This Function

DIG\_Out\_Port writes the specified digital data to the port on the specified device. If the specified port is configurable and you have not configured that port as an output port, NI-DAQ does not perform the operation and returns an error. You must call DIG\_Prt\_Config to make a configurable digital I/O port as an output port. Using DIG\_Out\_Port on a port with a combination of input and output lines returns a warning that some lines are configured for input.

Port 4 of the DIO-32F or DIO 6533 (DIO-32HS) is not a configurable port and does not require a DIG\_Prt\_Config call. On a DIO 6533, however, bits 0 and 2 of port 4 are unavailable when group 1 is configured for handshaking; bits 1 and 3 are unavailable when group 2 is configured for handshaking.



### Note

***If you have connected one or more AMUX-64T boards or an SCXI chassis to your Am9513-based MIO devices, DIG\_Out\_Port returns a badPortError if called with port equal to 0.***

## DIG\_Prt\_Config

---

### Format

**status = DIG\_Prt\_Config (deviceNumber, port, mode, dir)**

### Purpose

Configures the specified port for direction (input or output). `DIG_Prt_Config` also sets the handshake mode for the DIO-24, AT-MIO-16D, AT-MIO-16DE-10, DIO-96, and Lab and 1200 Series devices.

### Parameters

#### Input

Name	Type	Description
<b>deviceNumber</b>	i16	assigned by configuration utility
<b>port</b>	i16	digital I/O port number
<b>mode</b>	i16	handshake mode
<b>dir</b>	i16	direction, input, or output

### Parameter Discussion

**port** is the digital I/O port number.

Range: 0 or 1 for the AT-AO-6/10, DAQCard-500/700, PC-TIO-10, PC-OPDIO-16, 516 devices, AO-2DC, Am9513-based MIO devices, and LPM devices.  
 0 for the E Series devices, except the AT-MIO-16DE-10.  
 0 through 2 for the DIO-24 and Lab and 1200 Series devices.  
 0 through 3 for the DIO-32F and DIO 6533 (DIO-32HS).  
 0 and 2 through 4 for the AT-MIO-16DE-10.  
 0 through 3 for the VXI-AO-48XDC.  
 0 through 4 for the AT-MIO-16D.  
 0 through 11 for the DIO-96.  
 0 through 15 for the VXI-DIO-128.  
 0 for the PCI-4451 and PCI-4452.  
 0 through 3 for the PCI-4551 and PCI-4552.

**mode** indicates the handshake mode that the port uses.

- 0: Port is configured for no-handshaking (nonlatched) mode. You must use **mode** = 0 for all other ports and boards. You can use the DIO-32F and DIO 6533 (DIO-32HS) for handshaking, but only through the group calls (see `DIG_Grp_Config`).



- 1: Port is configured for handshaking (latched) mode. **mode** = 1 is valid only for ports 0 and 1 of the DIO-24 and Lab and 1200 Series devices; for ports 2 and 3 of the AT-MIO-16D and AT-MIO-16DE-10; and for ports 0, 1, 3, 4, 6, 7, 9, and 10 of the DIO-96.

**dir** indicates the direction, input or output, to which the port is to be configured.

Range: 0 through 3.

- 0: Port is configured as an input port (default).
- 1: Port is configured as a standard output port.
- 2: Port is configured as a bidirectional port.
- 3: Port is configured as an output port, with wired-OR (open collector) output drivers.



**Note** *mode must be set to handshaking in order to use bidirectional.*

The following ports can be configured as bidirectional:

Device	Ports
AT-MIO-16D	2
AT-MIO-16DE-10	2
Lab and 1200 Series devices	0
DIO-24	0
DIO-96	0, 3, 6, and 9



**Note** *The only ports that can be configured as wired-OR output ports are DIO 6533 ports 0 through 3.*

## Using This Function

DIG\_Prt\_Config configures the specified port according to the specified direction and handshake mode. Any configurations not supported by or invalid for the specified port return an error, and NI-DAQ does not change the port configuration. Information about the valid configuration of any digital I/O port is in the *DAQ Hardware Overview Guide*, and Chapter 3, *Software Overview*, of the *NI-DAQ User Manual for PC Compatibles*.

For the DIO-24, AT-MIO-16D, DIO-32F, DIO 6533, DIO-96, and Lab and 1200 Series devices, DIG\_Prt\_Config returns an error if the specified port has been assigned to a group by a previous call to DIG\_Grp\_Config or DIG\_SCAN\_Setup. DIG\_Prt\_Config also returns an error for the DIO-32F and DIO 6533 if the specified port is port 4.

After system startup, the digital I/O ports on all the boards supported by this function are configured as follows:

**dir** = 0: Input port.

**mode** = 0: No-handshaking mode.

Also, ports on the DIO-24, AT-MIO-16D, DIO-32F, DIO 6533, DIO-96, and Lab and 1200 Series devices are not assigned to any group. If this is not the digital I/O configuration you want, you must call `DIG_Prt_Config` to change the port configuration. You must call `DIG_Grp_Config` instead to use handshaking modes on the DIO-32F and DIO 6533.



**Note** *AT-MIO-16D, AT-MIO-16DE-10, Lab and 1200 Series, PC-AO-2DC, PC-DIO-24/PnP, and DIO-96 users—Because of the design of the Intel 8255 chip, calling this function on one port will reset the output states of lines on other ports on the same 8255 chip. The other ports will remain in the same configuration; input ports are not affected. Therefore, you should configure all ports before outputting data.*



**Note** *If you have connected one or more AMUX-64T boards or an SCXI chassis module to your MIO or AI device, `DIG_Prt_Config` returns a `badPortError` if called with port equal to 0.*

## DIG\_Prt\_Status

---

### Format

**status = DIG\_Prt\_Status (deviceNumber, port, handshakeStatus)**

### Purpose

Returns a status word indicating the handshake status of the specified port.

### Parameters

#### Input

Name	Type	Description
<b>deviceNumber</b>	i16	assigned by configuration utility
<b>port</b>	i16	digital I/O port number

#### Output

Name	Type	Description
<b>handshakeStatus</b>	i16	handshake status

### Parameter Discussion

**port** is the digital I/O port number.

Range: 0 or 1 for the DIO-24 and Lab and 1200 Series devices.  
 2 or 3 for the AT-MIO-16D and AT-MIO-16DE-10.  
 0, 1, 3, 4, 6, 7, 9, and 10 for the DIO-96.

**handshakeStatus** returns the handshake status of the port.

- 0: A port is not available for reading from an input port or writing to an output port.
- 1: A unidirectional port is available for reading from an input port or writing to an output port.
- 2: A bidirectional port is ready for reading.
- 3: A bidirectional port is ready for writing.
- 4: A bidirectional port is ready for reading and writing.



**Note** *C Programmers—handshakeStatus is a pass-by-reference parameter.*

## Using This Function

DIG\_Prt\_Status reads the handshake status of the specified port and returns the port status in **handshakeStatus**. DIG\_Prt\_Status, along with DIG\_Out\_Port and DIG\_In\_Port, facilitates handshaking of digital data between systems. If the specified port is configured as an input port, DIG\_Prt\_Status indicates when to call DIG\_In\_Port to fetch the data that an external device has latched in. If the specified port is configured as an output port, DIG\_Prt\_Status indicates when to call DIG\_Out\_Port to write the next piece of data to the external device. If the specified port is not configured for handshaking, NI-DAQ returns an error code and **handshakeStatus** = 0.

Refer to your device user manual for handshake timing information. If the port is configured for input handshaking, **handshakeStatus** corresponds to the state of the IBF bit. If the port is configured for output handshaking, **handshakeStatus** corresponds to the state of the OBF\* bit.



**Note** *You must call DIG\_Prt\_Config to configure a port for data direction and handshaking operation.*

## DIG\_SCAN\_Setup

---

### Format

**status** = DIG\_SCAN\_Setup (**deviceNumber**, **group**, **groupSize**, **portList**, **dir**)

### Purpose

Configures the specified group for port assignment, direction (input or output), and size.

### Parameters

#### Input

Name	Type	Description
<b>deviceNumber</b>	i16	assigned by configuration utility
<b>group</b>	i16	group to be configured
<b>groupSize</b>	i16	number of 8-bit ports
<b>portList</b>	[i16]	list of ports
<b>dir</b>	i16	direction, input, or output

### Parameter Discussion

**group** is the group to be configured.

Range: 1 or 2 for most devices.  
1 through 8 for the DIO-96.

**groupSize** selects the number of 8-bit ports in the group.

Range: 0 through 2 for most devices.  
0 through 8 for the DIO-96.



**Note** *Zero is to unassign any ports previously assigned to group.*

**portList** is the list of ports in **group**. The order of the ports in the list determines how NI-DAQ interleaves data in your buffer when you call `DIG_Block_In` or `DIG_Block_Out`. The last port in the list determines the port whose handshaking signal lines NI-DAQ uses to communicate with the external device and to generate hardware interrupt.

Range: 0 or 1 for most devices.  
2 or 3 for the AT-MIO-16D and AT-MIO-16DE-10.  
0, 1, 3, 4, 6, 7, 9, or 10 for the DIO-96.

**dir** selects the direction, input or output, to which the **group** is to be configured.

- 0: Port is configured as an input port (default).
- 1: Port is configured as an output port.
- 2: Port is configured as a bidirectional port.

The following ports can be configured as bidirectional:

Device	Ports
AT-MIO-16D	2
AT-MIO-16DE-10	2
Lab and 1200 Series devices	0
DIO-24	0
DIO-96	0, 3, 6, and 9

## Using This Function

DIG\_SCAN\_Setup configures the specified group according to the specified port assignment and direction. If **groupSize** is 0, NI-DAQ releases any ports previously assigned to **group**. Any configurations not supported by or invalid for the specified group return an error, and NI-DAQ does not change the group configuration. NI-DAQ subsequently writes to or reads from ports assigned to a group as a group using DIG\_Block\_In and DIG\_Block\_Out. NI-DAQ can no longer access any ports assigned to a group through any of the non-group calls listed previously.

Because each port on the DIO-24, AT-MIO-16D, AT-MIO-16DE-10, and Lab and 1200 Series devices has its own handshaking circuitry, extra wiring might be necessary to make data transfer of a group with more than one port reliable. If the group has only one port, no extra wiring is needed.

Each input port has a different Strobe Input (STB\*) control signal.

- PC4 on the I/O connector is for port 0.
- PC2 on the I/O connector is for port 1.

Each input port also has a different Input Buffer Full (IBF) control signal.

- PC5 on the I/O connector is for port 0.
- PC1 on the I/O connector is for port 1.

Each output port has a different Output Buffer Full (OBF\*) control signal.

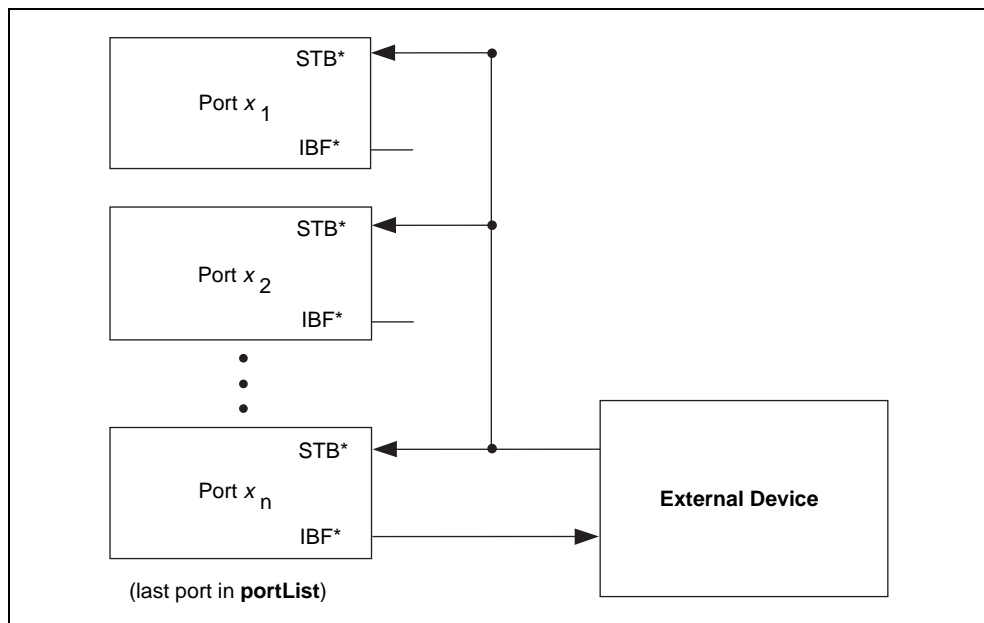
- PC7 on the I/O connector is for port 0.
- PC1 on the I/O connector is for port 1.

Each output port also has a different Acknowledge Input (ACK\*) control signal.

- PC6 on the I/O connector is for port 0.
- PC2 on the I/O connector is for port 1.

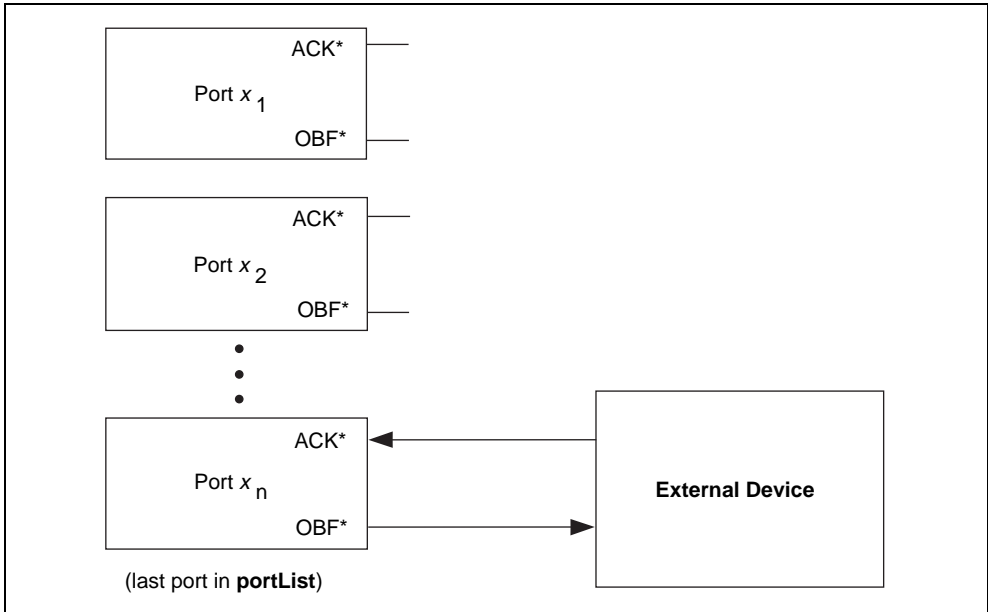
On the DIO-96 I/O connector, you can find four different sets of PC pins. They are APC, BPC, CPC, and DPC. APC pins correspond to port 0 and port 1, BPC pins correspond to port 3 and port 4, CPC pins correspond to port 6 and port 7, and DPC pins correspond to port 9 and port 10. For example, CPC7 is the Output Buffer Full (OBF) control signal for port 6 and CPC1 is the Output Buffer Full (OBF) for port 7 if both ports are configured as handshaking output ports.

If a group of ports is configured as input, you need to tie all the corresponding Strobe Input (STB\*) together and connect them to the appropriate handshaking signal of the external device. You should connect only the Input Buffer Full (IBF) of the last port on **portList** to the external device. No connection is needed for the IBF of the other port on **portList**.



**Figure 2-12.** Digital Scanning Input Group Handshaking Connections

If a group of ports is configured as output, you should not make any connection on the control signals except those for the last port on **portList**. You should make the connection with the external device as if only the last port on **portList** is in the group. No connection is needed for any other port on the list.



**Figure 2-13.** Digital Scanning Output Group Handshaking Connections

For DIO-24 users, the correct W1 jumper setting is required to allow `DIG_Block_In` and `DIG_Block_Out` to function properly. If port 0 is configured as a handshaking output port, set jumper W1 to PC4; otherwise, set the jumper to PC6. However, if port 0 is configured as bidirectional, set the jumper to PC2.

Also, if port 0 is configured as bidirectional on a PC-DIO-24, port 1 will not be available.



## DIG\_Trigger\_Config

---

### Format

**status = DIG\_Trigger\_Config (deviceNumber, group, startTrig, startPol, stopTrig, stopPol, ptsAfterStopTrig, pattern, patternMask)**

### Purpose

Sets up trigger configuration for subsequent buffered digital operations with pattern generation mode only (either internal or external requests).

### Parameters

#### Input

Name	Type	Description
<b>deviceNumber</b>	i16	assigned by configuration utility
<b>group</b>	i16	group
<b>startTrig</b>	i16	source of start trigger
<b>startPol</b>	i16	polarity of start trigger
<b>stopTrig</b>	i16	source of stop trigger
<b>stopPol</b>	i16	polarity of stop trigger
<b>ptsAfterStopTrig</b>	u32	number of points to acquire after the trigger
<b>pattern</b>	u32	data pattern on which to trigger
<b>lineMask</b>	u32	mask selecting bits to be compared for pattern or change detection

### Parameter Discussion

**startTrig** specifies the source of the start trigger.

- 0: Software start trigger.
- 1: Hardware trigger.
- 2: Digital pattern trigger (input group only).

**startPol** specifies the polarity of the start trigger.

- 0: Active high.
- 1: Active low.
- 2: Pattern matched.
- 3: Pattern not matched.

**stopTrig** specifies the source of the stop trigger.

- 0: None.
- 1: Hardware trigger.
- 2: Digital pattern trigger (input group only).

**stopPol** specifies the polarity of the stop trigger.

- 0: Active high.
- 1: Active low.
- 2: Pattern matched.
- 3: Pattern not matched.

**ptsAfterStopTrig** is the number of data points to acquire following the trigger. This parameter is valid only if **stopTrig** is not 0. If **stopTrig** is 2, this number will include the matching pattern.

Range: 2 through **count**, where **count** is the value of the **count** parameter in the `DIG_Block_*` functions.

**pattern** is the digital pattern to be used as a trigger point. This parameter is used only when either **startTrig** or **stopTrig** is 2.

**lineMask** selects the individual data lines to be compared when **startTrig** or **stopTrig** is 2 or 3 or when you enable change detection, using `DIG_Block_PG_Config`. This parameter allows you to set all the DON'T\_CARE bits in the pattern. A 0 means DON'T\_CARE, but a 1 is significant.

## Using This Function

If **startTrig** is 0, a digital block operation begins as soon as you call a `DIG_Block_*` function. If **startTrig** is 1, a digital block operation does not begin until NI-DAQ receives an external trigger pulse on the group's ACK (STARTTRIG) pin.

If **stopTrig** is 0, a digital block operation ends as soon as the operation reaches the end of the buffer (unless you enable double buffering with the `DIG_DB_Config` function). If **stopTrig** is 1, a digital block operation continues in a cyclical mode until NI-DAQ receives an external trigger pulse on the group's STOPTRIG pin, at which time NI-DAQ acquires an additional number of data points specified by **ptsAfterStopTrig** before terminating the operation. The `DIG_Block_Check` function rearranges the data into chronological order (from oldest to newest).

If **startTrig** or **stopTrig** is 2 or 3, the board compares incoming data to the specified pattern. The DIO 6533 contains a single pattern-detection circuit per group. Therefore, you cannot set both **startTrig** and **stopTrig** to 2 or 3. You also cannot set **startTrig** or **stopTrig** to 2 or 3 and also configure a pattern-detection message (**DAQEvent** = 7 or 8) using `Config_DAQ_Event_Message`.

If **startTrig** or **stopTrig** is 2, the operation starts or stops when the incoming data matches the pattern on all bits declared significant by **lineMask**. If **startTrig** or **stopTrig** is 3, the operation starts or stops when the incoming data ceases to match the pattern on all bits declared significant by **lineMask**. The **lineMask** also controls which bits are significant for change detection, if used. See `DIG_Block_PG_Config` for information about change detection.

Bits that are significant for one purpose are significant for all purposes. If you configure both change detection and a start or stop trigger, the same **lineMask** applies to both. If you configure both change detection and a pattern-detection message using `Config_DAQ_Event_Message`, use **DAQTrigVal0** instead of **lineMask** to control which bits are significant.

## Get\_DAQ\_Device\_Info

---

### Format

`status = Get_DAQ_Device_Info (deviceNumber, infoType, infoValue)`

### Purpose

Allows you to retrieve parameters pertaining to the device operation.

### Parameters

#### Input

Name	Type	Description
<b>deviceNumber</b>	i16	assigned by configuration utility
<b>infoType</b>	u32	type of information to retrieve

#### Output

Name	Type	Description
<b>infoValue</b>	u32	retrieved information

### Parameter Discussion

The legal range for the **infoType** is given in terms of constants that are defined in the header file. The header file you should use depends on the language you are using:

- C programmers—`NIDAQCNS.H` (`DATAACQ.H` for LabWindows/CVI)
- BASIC programmers—`NIDAQCNS.INC`
- Pascal programmers—`NIDAQCNS.PAS`

**infoType** indicates which parameter to retrieve. **infoValue** reflects the value of the parameter. **infoValue** is given either in terms of constants from the header file or as numbers, as appropriate.

**infoType** can be one of the following.

<b>infoType</b>	<b>Description</b>
ND_ACK_REQ_EXCHANGE_GR1 ND_ACK_REQ_EXCHANGE_GR2	See the Set_DAQ_Device_Info function for details. ND_NOT_APPLICABLE if not relevant to the device.
ND_AI_FIFO_INTERRUPTS	Mode of interrupt generation for analog input
ND_BASE_ADDRESS	Base address, in hexadecimal, of the device specified by <b>deviceNumber</b>
ND_CLOCK_REVERSE_MODE_GR1 ND_CLOCK_REVERSE_MODE_GR2	See the Set_DAQ_Device_Info function for details. ND_NOT_APPLICABLE if not relevant to the device.
ND_COUNTER_1_SOURCE	See the Set_DAQ_Device_Info function for details. ND_NOT_APPLICABLE if not relevant to the device.
ND_DATA_XFER_MODE_AI ND_DATA_XFER_MODE_AO_GR1 ND_DATA_XFER_MODE_AO_GR2 ND_DATA_XFER_MODE_GPCTR0 ND_DATA_XFER_MODE_GPCTR1 ND_DATA_XFER_MODE_DIO_GR1 ND_DATA_XFER_MODE_DIO_GR2 ND_DATA_XFER_MODE_DIO_GR3 ND_DATA_XFER_MODE_DIO_GR4 ND_DATA_XFER_MODE_DIO_GR5 ND_DATA_XFER_MODE_DIO_GR6 ND_DATA_XFER_MODE_DIO_GR7 ND_DATA_XFER_MODE_DIO_GR8	See the Set_DAQ_Device_Info function for details. ND_NOT_APPLICABLE if not relevant to the device.
ND_DEVICE_TYPE_CODE	Type of the device specified by <b>deviceNumber</b> . See Init_DA_Brds for a list of device type codes.
ND_DMA_A_LEVEL ND_DMA_B_LEVEL ND_DMA_C_LEVEL	Level of the DMA channel assigned to the device as channel A, B, and C. ND_NOT_APPLICABLE if not relevant or disabled.
ND_INTERRUPT_A_LEVEL ND_INTERRUPT_B_LEVEL	Level of the interrupt assigned to the device as interrupt A and B. ND_NOT_APPLICABLE if not relevant or disabled.
ND_SUSPEND_POWER_STATE	State of the USB device power when operating system enters power saving/suspend mode. Keep in mind that this applies only to USB devices run by external power.



**Note**

**C Programmers**—**infoValue** is a pass-by-reference parameter.

## Get\_NI\_Daq\_Version

---

### Format

`status = Get_NI_Daq_Version (version)`

### Purpose

Returns the version number of the NI-DAQ library.

### Parameter

#### Output

Name	Type	Description
<b>version</b>	u32	version number assigned

### Using This Function

`Get_NI_Daq_Version` returns a 4-byte value in the **version** parameter. The upper two bytes are reserved and the lower two bytes contain the version number. Always bitwise *and* the 4-byte value with the hexadecimal value FFFF before using the version number. For version 6.0, the lower 2-byte value is the hexadecimal value 600.



**Note** *C Programmers—version is a pass-by-reference parameter.*

## GPCTR\_Change\_Parameter

---

### Format

**status = GPCTR\_Change\_Parameter (deviceNumber, gpctrNum, paramID, paramValue)**

### Purpose

Selects a specific parameter setting for the general-purpose counter (E Series, 6602, and DSA devices only).

### Parameters

#### Input

Name	Type	Description
<b>deviceNumber</b>	i16	assigned by configuration utility
<b>gpctrNum</b>	u32	number of the counter to use
<b>paramID</b>	u32	identification of the parameter to change.
<b>paramValue</b>	u32	new value for the parameter specified by <b>paramID</b>

### Parameter Discussion

Legal ranges for **gpctrNum**, **paramID**, and **paramValue** are given in terms of constants defined in a header file. The header file you should use depends on the language you are using:

- C programmers—`NIDAQCNS.H` (`DATAACQ.H` for LabWindows/CVI)
- BASIC programmers—`NIDAQCNS.INC` (Visual Basic for Windows programmers should refer to the *Programming Language Considerations* section in Chapter 1, *Using the NI-DAQ Functions*, for more information.)
- Pascal programmers—`NIDAQCNS.PAS`

**gpctrNum** indicates which counter to program. Legal values for this parameter are shown in Table 2-20.

**Table 2-20.** Legal Values for **gpctrNum** Parameter

All DSA and E Series Devices	6602 Devices
ND_COUNTER_0 ND_COUNTER_1	ND_COUNTER_0 ND_COUNTER_1 ND_COUNTER_2 ND_COUNTER_3 ND_COUNTER_4 ND_COUNTER_5 ND_COUNTER_6 ND_COUNTER_7

Legal values for **paramValue** depend on **paramID**. The following paragraphs list legal values for **paramID** with explanations and corresponding legal values for **paramValue**:

**paramID** = ND\_SOURCE

The general-purpose counter counts transitions of this signal. Corresponding legal values for **paramValue** are as follows:

**Table 2-21.** Legal Values for **paramValue** when **paramID** = ND\_SOURCE

445X and E Series Devices	6602 and 455X Devices
ND_PFI_0 through ND_PFI_9—the 10 I/O connector pins*. ND_RTSI_0 through ND_RTSI_6—the seven RTSI lines. ND_INTERNAL_20_MHZ and ND_INTERNAL_100_KHZ—the internal timebases ND_OTHER_GPCTR_TC—the terminal count of the other general-purpose counter (See Table 2-22 for definition of other counter).	I/O connector pins ND_PFI_39*, ND_PFI_35*, ND_PFI_31, ND_PFI_27, ND_PFI_23, ND_PFI_19, ND_PFI_15, and ND_PFI_11. ND_RTSI_0 through ND_RTSI_6—the seven RTSI lines. ND_INTERNAL_20_MHZ and ND_INTERNAL_100_HZ—the internal timebases. ND_INTERNAL_MAX_TIMEBASE—the maximum timebase. The value of this timebase can be determined by a GPCTR_Watch call, ND_OTHER_GPCTR_GATE (See Table 2-22 for definition of other counter). ND_OTHER_GPCTR_TC—the terminal count of the other general-purpose counter (See Table 2-22 for definition of other counter).
*ND_PFI_39, ND_PFI_35, ND_COUNTER_2 through ND_COUNTER_7 are not available on 455X devices.	





**Note** *If you have configured an analog hardware trigger using the Config\_HW\_Analog\_Trigger function, the resulting analog trigger circuitry output is available as ND\_PFI\_0.*

**Table 2-22.** Definition of Other Counter for paramValue Set to ND\_OTHER\_GPCTR\_TC

gpctrNum	Other Counter: E Series, All DSA (445X and 455X) Devices	Other Counter: 6602 Devices
ND_COUNTER_0	ND_COUNTER_1	ND_COUNTER_1
ND_COUNTER_1	ND_COUNTER_0	ND_COUNTER_0
ND_COUNTER_2	N/A	ND_COUNTER_3
ND_COUNTER_3	N/A	ND_COUNTER_2
ND_COUNTER_4	N/A	ND_COUNTER_5
ND_COUNTER_5	N/A	ND_COUNTER_4
ND_COUNTER_6	N/A	ND_COUNTER_7
ND_COUNTER_7	N/A	ND_COUNTER_6

**Table 2-23.** Default Source Selection for ND\_SIMPLE\_EVENT\_CNT or ND\_BUFFERED\_EVENT\_CNT

gpctrNum	E Series and 445X Devices	6602 Devices	455X Devices
ND_COUNTER_0	ND_PFI_8	ND_PFI_39	ND_PFI_31
ND_COUNTER_1	ND_PFI_3	ND_PFI_35	ND_PFI_27
ND_COUNTER_2	N/A	ND_PFI_31	N/A
ND_COUNTER_3	N/A	ND_PFI_27	N/A
ND_COUNTER_4	N/A	ND_PFI_23	N/A
ND_COUNTER_5	N/A	ND_PFI_19	N/A
ND_COUNTER_6	N/A	ND_PFI_15	N/A
ND_COUNTER_7	N/A	ND_PFI_11	N/A



**Note** *The default source selection for all other applications is ND\_INTERNAL\_20\_MHZ.*

Use this function with paramID = ND\_SOURCE\_POLARITY to select polarity of transitions to use for counting.

**paramID** = ND\_START\_TRIGGER (6602 and 455X devices only)

This **paramID** allows you to change how a counter arms itself. If **paramValue** is set to ND\_ENABLED, the counter will be armed using a hardware arm. If **paramValue** is set to ND\_DISABLED, the counter will be armed using a software arm. ND\_DISABLED is the default value.

You can synchronize the arming of multiple counters using a hardware signal. Counters must be previously software armed before the hardware arm takes place. The hardware arming circuitry looks for a rising edge on the hardware arming pin.

**paramID** = ND\_SOURCE\_POLARITY

The general-purpose counter counts these the transitions of this the signal selected by **paramID** = ND\_SOURCE. ND\_SOURCE. Corresponding legal values for **paramValue** are as follows:

- ND\_LOW\_TO\_HIGH—counter counts the low-to-high transitions of the source signal
- ND\_HIGH\_TO\_LOW—counter counts the high-to-low transitions of the source signal

**paramID** = ND\_PRESCALE\_VALUE (6602 and 455X devices only)

This **paramID** specifies a prescaling to the counter source selection. Using this **paramID** allows the counter to measure frequencies higher than the normal counter-timer maximum. Corresponding legal values for **paramValue** are as follows:

- ND\_ONE—use this value if no prescaling is needed
- ND\_MAX\_PRESCALE—measures signals of a frequency that is an order of ND\_MAX\_PRESCALE higher than the maximum frequency supported by the 6602 and 455X counter-timers. The value of ND\_MAX\_PRESCALE can be queried using the GPCTR\_Watch function call

**paramID** = ND\_INPUT\_CONDITIONING (6602 and 455X devices only)

The general-purpose counter enables the appropriate input conditioning on the default source and up/down pins for the particular counter (see Table 2-23 and Table 2-29 for definitions of the **default Source** and **Up/Down** pins). The GPCTR\_Change\_Parameter function with **paramID** = ND\_SOURCE should not be called after a call to GPCTR\_Change\_Parameter with **paramID** = ND\_INPUT\_CONDITIONING. Corresponding legal values for **paramValue** are shown below:

- ND\_NONE—configures **default Source** and **Up/Down** pins for no conditioning
- ND\_QUADRATURE\_ENCODER\_X1—configures **default Source** and **Up/Down**. Other sources cannot be connected in this mode)
- ND\_QUADRATURE\_ENCODER\_X2—configures **default Source** and **Up/Down** automatically. Other sources cannot be connected in this mode
- ND\_QUADRATURE\_ENCODER\_X4—configures **default Source** and **Up/Down** automatically. Other sources cannot be connected in this mode
- ND\_TWO\_PULSE\_COUNTING—configures **default Source** and **Up/Down** automatically. Other sources cannot be connected in this mode

Synchronization on **default Source** and **Up/Down** pins is enabled when you call `GPCTR_Change_Parameter` with **paramID** = `ND_INPUT_CONDITIONING` and **paramValue** as any of the quadrature modes or the two-pulse counting mode.

You can enable Z-Index pulse for quadrature encoders by making a `GPCTR_Change_Parameter` call with **paramID** = `ND_INDEX_PULSE` and **paramValue** = `ND_YES`. The Z-Index signal should be connected to default gate for the counter that is being used. The value to which the count should reset in the event of a Z-Index pulse can be specified by making a `GPCTR_Change_Parameter` call with **paramID** = `ND_COUNT_1`.



**Note** *By default, the counter will start counting from 0. You can alter this by calling `GPCTR_Change_Parameter` with a **paramID** set to `ND_INITIAL_COUNT`. A good technique for setting the initial value would be to set it in an invalid range. When the counter receives a Z-Index, the value of the counter will be placed in a valid range. This technique will allow you to detect the initial Z-Index.*

An example use of this **paramID** is shown below:

```
Create u32 variable gpctrNum;
Create u32 variable counterValue;
gpctrNum = ND_COUNTER_0
GPCTR_Control (deviceNumber, gpctrNum, ND_RESET)
GPCTR_Control (deviceNumber, gpctrNum, ND_SIMPLE_CNT)
GPCTR_Change_Parameter (deviceNumber, gpctrNum,
    ND_INPUT_CONDITIONING,ND_QUADRATURE_ENCODER_X1)
/*specify that the counter reloads to value of 1000 every time a
Z-Index pulse occurs*/
GPCTR_Change_Parameter (deviceNumber, gpctrNum, ND_Z_INDEX_PULSE,
1000)
/*load the counter initially with a bogus value for Z-Index
detection*/
GPCTR_Change_Parameter (deviceNumber, gpctrNum, ND_COUNT_1, -10000)

GPCTR_Control (deviceNumber, gpctrNum, ND_PROGRAM)
Repeat as long as required by your application
{
/*you can check for a valid value for counterValue here*/
    GPCTR_Watch (deviceNumber, gpctrNum, ND_COUNT, counterValue)
```

```

Output counterValue
}
GPCTR_Control (deviceNumber, gpctrNum, ND_RESET)

```

**paramID = ND\_GATE**

This signal controls the operation of the general-purpose counter in some applications. The default values of **paramValue** for **paramID = ND\_GATE** are shown in Table 2-24.

**Table 2-24.** Legal Values for **paramValue** when **paramID = ND\_GATE**

E Series and 445X Devices	6602 Devices	455X Devices
ND_PFI_0 through ND_PFI_9—the 10 I/O connector pins.*	ND_PFI_38, ND_PFI_34, ND_PFI_30, ND_PFI_26, ND_PFI_22, ND_PFI_18, ND_PFI_14, and ND_PFI_10.	ND_PFI_30, ND_PFI_26, ND_PFI_22, ND_PFI_18, ND_PFI_14, and ND_PFI_10.
ND_RTISI_0 through ND_RTISI_6—the seven RTSI lines.	ND_RTISI_0 through ND_RTISI_6—the seven RTSI lines.	ND_RTISI_0 through ND_RTISI_6—the seven RTSI lines.
ND_IN_START_TRIGGER and ND_IN_STOP_TRIGGER—the input section triggers.	ND_OTHER_GPCTR_OUTPUT (See Table 2-22 for definition of other counter).	ND_OTHER_GPCTR_OUTPUT (See Table 2-22 for definition of other counter).
ND_OTHER_GPCTR_OUTPUT—the output of the other general-purpose counter (See Table 2-22 for definition of other counter).	ND_OTHER_GPCTR_SOURCE—the source of the other general-purpose counter (See Table 2-22 for definition of other counter).	ND_OTHER_GPCTR_SOURCE—the source of the other general-purpose counter (See Table 2-22 for definition of other counter)
* ND_PFI_2 and ND_PFI_5 not valid for 445X devices.		

**Note**

*If you have configured an analog hardware trigger using the Config\_HW\_Analog\_Trigger function, the resulting analog trigger circuitry output signal is available as ND\_PFI\_0.*

**Table 2-25.** Default Gate Selection

<b>gpctrNum</b>	<b>E Series and 445X Devices</b>	<b>6602 Devices</b>	<b>455X Devices</b>
ND_COUNTER_0	ND_PFI9	ND_PFI_38	ND_PFI_30
ND_COUNTER_1	ND_PFI4	ND_PFI_34	ND_PFI_26
ND_COUNTER_2	N/A	ND_PFI_30	N/A
ND_COUNTER_3	N/A	ND_PFI_26	N/A
ND_COUNTER_4	N/A	ND_PFI_22	N/A
ND_COUNTER_5	N/A	ND_PFI_18	N/A
ND_COUNTER_6	N/A	ND_PFI_14	N/A
ND_COUNTER_7	N/A	ND_PFI_10	N/A

Use this function with **paramID** = ND\_GATE\_POLARITY to select polarity of the gate signal.

**paramID** = ND\_GATE\_POLARITY

This gate signal controls the operation of the general-purpose counter in some applications. In those applications, you can use polarity of the gate signals to modify behavior of the counter. Corresponding legal values for **paramValue** are as follows:

- ND\_POSITIVE
- ND\_NEGATIVE

The meaning of the two ND\_GATE\_POLARITY selections is described in the GPCTR\_Set\_Application function.

**paramID** = ND\_Z\_INDEX\_PULSE (6602 and 455X devices only)

This parameter allows automatic reloading of counter when a quadrature Z-Index pulse occurs on the gate when input conditioning is set to one of the quadrature input mode. The counter is reloaded with a value from 0 to  $2^{32} - 1$ . The Z-Index pulse of a quadrature encoder can be connected to the gate pin. With this setting, the counter will reload every time it sees a pulse on the gate pin. The Z-Index pulse will be registered only if encoder channels A and B are both in the low state.

**paramID** = ND\_RELOAD\_ON\_GATE (6602 and 455X devices only)

This parameter allows automatic reloading of the counter when a gate edge occurs. The counter is reloaded to the value set by the **paramID** = ND\_INITIAL\_COUNT. The legal vales for this are ND\_YES and ND\_NO. This **paramID** with **paramValue** = ND\_YES can be used for event counting operations that involve quadrature encoders. The Z-Index pulse of a quadrature encoder can be connected to the gate pin. With this setting, the counter will reload every time it sees a pulse on the gate pin.

**paramID** = ND\_SECOND\_GATE (6602 and 455X devices only)

This signal controls the operation of the general-purpose counter in some applications. Corresponding legal values for **paramValue** are shown below:

- ND\_PFI\_37, ND\_PFI\_33, ND\_PFI\_29, ND\_PFI\_25, ND\_PFI\_21, ND\_PFI\_17, ND\_PFI\_13, ND\_PFI\_9
- ND\_RTISI\_0 through ND\_RTISI\_6—the seven RTISI lines.
- ND\_OTHER\_GPCTR\_OUTPUT (See Table 2-22 for definition of the other counter).



**Note** ND\_PFI\_37 *and* ND\_PFI\_33 *are not available on 455X devices.*

The default values of **paramValue** for **paramID** = ND\_SECOND\_GATE are shown in Table 2-26.

**Table 2-26.** Default Second Gate Selection

gpctrNum	6602 Devices	455X Devices
ND_COUNTER_0	ND_PFI_37	ND_PFI_29
ND_COUNTER_1	ND_PFI_33	ND_PFI_25
ND_COUNTER_2	ND_PFI_29	N/A
ND_COUNTER_3	ND_PFI_25	N/A
ND_COUNTER_4	ND_PFI_21	N/A
ND_COUNTER_5	ND_PFI_17	N/A
ND_COUNTER_6	ND_PFI_13	N/A
ND_COUNTER_7	ND_PFI_9	N/A

**paramID** = ND\_SECOND\_GATE\_POLARITY (6602 and 455X devices only)

This gate signal controls the operation of the general-purpose counters in the start-stop applications. In those applications you can use polarity of the second gate signals to modify behavior of a counter. Corresponding legal values for **paramValue** are shown below:

- ND\_POSITIVE
- ND\_NEGATIVE

The meaning of the two ND\_SECOND\_GATE\_POLARITY selections is described in the GPCTR\_Set\_Application function.

**paramID** = ND\_INITIAL\_COUNT

The general-purpose counter starts counting from this number when the counter is configured for one of the simple event counting and time measurement applications. Corresponding legal values for **paramValue** are shown in Table 2-27.

**Table 2-27.** Legal Values for **paramValue** when **paramID** = ND\_INITIAL\_COUNT

E Series and 445X Devices	6602 and 455X Devices
0 through $2^{24} - 1$	0 through $2^{32} - 1$

**paramID** = ND\_COUNT\_1, ND\_COUNT\_2, ND\_COUNT\_3, ND\_COUNT\_4

The general-purpose counter uses these numbers for pulse width specifications when the counter is configured for one of the simple pulse and pulse train generation applications. For example, when you use the counter for FSK, ND\_COUNT\_1 and ND\_COUNT\_2 specify the duration of low and high output states for one gate state and ND\_COUNT\_3 and ND\_COUNT\_4 specify them for the other gate state. Corresponding legal values for **paramValue** are shown in Table 2-28.

**Table 2-28.** Legal Values for **paramValue** when **paramID** = ND\_COUNT\_1, ND\_COUNT\_2, ND\_COUNT\_3, and ND\_COUNT\_4

E Series and 445X Devices	6602 and 455X Devices
0 through $2^{24} - 1$	0 through $2^{32} - 1$

For the 6602 devices, you can call GPCTR\_Change\_Parameter with **paramID** = ND\_COUNT\_1 or ND\_COUNT\_2 after arming the counter with a GPCTR\_Control call. By using this, you can modify the duty cycle of a pulse-train whose generation was started by the GPCTR\_Set\_Application call with **application** = ND\_PULSE\_TRAIN\_GNR. You can generate a pulse train with seamless frequency by using this methodology. After modifying the ND\_COUNT\_1 and ND\_COUNT\_2 you should call GPCTR\_Control with **action** = ND\_SWITCH\_CYCLE to activate the new duty cycle.

**paramID** = ND\_AUTOINCREMENT\_COUNT

The value specified by ND\_COUNT\_1 is incremented by the value selected by ND\_AUTOINCREMENT\_COUNT every time the counter is reloaded with the value specified by ND\_COUNT\_1.

For example, with this feature you can generate retriggerable delayed pulses with incrementally increasing delays. You can then use these pulses for applications such as equivalent time sampling (ETS). Corresponding legal values for **paramValue** are 0 through  $2^8 - 1$ .

**paramID** = ND\_UP\_DOWN

When the application is ND\_SIMPLE\_EVENT\_CNT or ND\_BUFFERED\_EVENT\_CNT, you can use the up or down control options of the DAQ-STC general-purpose counters. You can use the up or down control options for other counter applications, too. Software or hardware can perform the up or down control.

## Software Control

This function lets you customize the counter for your application. You can use this function after the GPCTR\_Set\_Application function, and before GPCTR\_Control function with **action** = ND\_PREPARE or **action** = ND\_PROGRAM. You can call this function as many times as you need to.

The software up or down control is available by default; if you do not use the GPCTR\_Change\_Parameter function with **paramID** set to ND\_UP\_DOWN, the counter is configured for the software up or down control and starts counting up. To make the counter use the software up or down control and start counting down, use the GPCTR\_Change\_Parameter function with the **paramID** set to ND\_UP\_DOWN and the **paramValue** set to ND\_COUNT\_DOWN. To change the counting direction during counting, use the GPCTR\_Control function with the action set to ND\_COUNT\_UP or ND\_COUNT\_DOWN.

## Hardware Control

To use hardware to control the counting direction, use I/O connector lines as shown in Table 2-29; the counter will count down when the I/O line is in the low state and up when it is in the high state. Use the GPCTR\_Change\_Parameter function with the **paramID** set to ND\_UP\_DOWN and the **paramValue** set to ND\_HARDWARE to take advantage of this counter feature.

**Table 2-29.** Default Up/Down Selection

gpctrNum	E Series Devices	6602 Devices	455X Devices
ND_COUNTER_0	Digital I/O Line 6	ND_PFI_37	ND_PFI_29
ND_COUNTER_1	Digital I/O Line 7	ND_PFI_33	ND_PFI_25
ND_COUNTER_2	N/A	ND_PFI_29	N/A
ND_COUNTER_3	N/A	ND_PFI_25	N/A
ND_COUNTER_4	N/A	ND_PFI_21	N/A
ND_COUNTER_5	N/A	ND_PFI_17	N/A
ND_COUNTER_6	N/A	ND_PFI_13	N/A
ND_COUNTER_7	N/A	ND_PFI_9	N/A

**paramID** = ND\_BUFFER\_MODE (6602 and 455X devices only)

Corresponding legal values for **paramValue** are shown below:

- ND\_SINGLE for single buffer operations.
- ND\_DOUBLE for continuous buffer operation.



**paramID** = ND\_OUTPUT\_MODE

This value changes the output mode from default toggle (the output of the counter toggles on each terminal count) to pulsed (the output of the counter makes a pulse on each terminal count). The corresponding settings of **paramValue** are ND\_PULSE and ND\_TOGGLE. Also, you might need to enable your output pin with `Select_Signal`.

**paramID** = ND\_OUTPUT\_POLARITY

This **paramID** allows you to change the output polarity from default positive (the normal state of the output is TTL low) to negative (the normal state of the output is TTL-high). The corresponding settings of **paramValue** are ND\_POSITIVE and ND\_NEGATIVE. Also, you might need to enable your output pin with `Select_Signal`.

## Using This Function

This function lets you customize the counter for your application. You can use this function after the `GPCTR_Set_Application` function, and before `GPCTR_Control` function with **action** = ND\_PREPARE or **action** = ND\_PROGRAM. You can call this function as many times as you need to.

## GPCTR\_Config\_Buffer

---

### Format

**status = GPCTR\_Config\_Buffer (deviceNumber, gpctrNum, reserved, numPoints, buffer)**

### Purpose

Assigns a buffer that NI-DAQ will use for a buffered counter operation.

### Parameters

#### Input

Name	Type	Description
<b>deviceNumber</b>	i16	assigned by configuration utility
<b>gpctrNum</b>	u32	number of the counter to use
<b>reserved</b>	u32	reserved parameter, must be 0
<b>numPoints</b>	u32	number of data points the buffer can hold
<b>buffer</b>	[u32]	used to hold counts

### Parameter Discussion

The legal range for **gpctrNum** is given in terms of constants defined in a header file. The header file you should use depends on the language you are using:

- C programmers—`NIDAQCNS.H` (`DATAACQ.H` for LabWindows/CVI)
- BASIC programmers—`NIDAQCNS.INC` (Visual Basic for Windows programmers should refer to the *Programming Language Considerations* section in Chapter 1, *Using the NI-DAQ Functions*, for more information.)
- Pascal programmers—`NIDAQCNS.PAS`

**gpctrNum** to indicates which counter to program. Legal values for this parameter are in Table 2-20.

**numPoints** is the number of data points the **buffer** can hold. The definition of a data point depends on the application the counter is used for. Legal range is 2 through  $2^{32} - 1$ .

When you use the counter for one of the buffered event counting or buffered time measurement operations, a data point is a single counted number.

**buffer** is an array of unsigned 32-bit integers.

## Using This Function

You need to use this function to use a general-purpose counter for buffered operation. You should call this function after calling the `GPCTR_Set_Application` function.

NI-DAQ transfers counted values into the **buffer** assigned by this function when you are performing a buffered counter operation.

If you are using the general-purpose counter for `ND_BUFFERED_PERIOD_MSR`, `ND_BUFFERED_SEMI_PERIOD_MSR`, or `ND_BUFFERED_PULSE_WIDTH_MSR`, or `ND_BUFFERED_TWO_SIGNAL_EDGE_SEPARATION_MSR`, you should wait for the operation to be completed before accessing the buffer.

For the 6602 and 455X devices, you can use `GPCTR_Change_Parameter` with **paramID** = `ND_BUFFER_MODE` to select continuous buffered operations (`ND_DOUBLE`) or single-buffered operations (`ND_SINGLE`). In continuous buffered operation mode you can use `GPCTR_Read_Buffer` to access parts of the buffer while the operation is in progress.

## GPCTR\_Control

---

### Format

`status = GPCTR_Control (deviceNumber, gpctrNum, action)`

### Purpose

Controls the operation of the general-purpose counter.

### Parameters

#### Input

Name	Type	Description
<b>deviceNumber</b>	i16	assigned by configuration utility
<b>gpctrNum</b>	u32	number of the counter to use
<b>action</b>	u32	the action NI-DAQ takes

### Parameter Discussion

Legal ranges for the **gpctrNum** and **action** are given in terms of constants defined in a header file. The header file you should use depends on the language you are using:

- C programmers—`NIDAQCNS.H` (`DATAAQC.H` for LabWindows/CVI)
- BASIC programmers—`NIDAQCNS.INC` (Visual Basic for Windows programmers should refer to the *Programming Language Considerations* section in Chapter 1, *Using the NI-DAQ Functions*, for more information.)
- Pascal programmers—`NIDAQCNS.PAS`

**gpctrNum** indicates which counter to program. Legal values for this parameter are shown in Table 2-20.

**action** is what NI-DAQ performs with the counter. Legal values for this parameter are as follows.

**Table 2-30.** Legal Values for the **action** Parameter

action	Description
ND_PREPARE	Prepare the general-purpose counter for the operation selected by invocations of the <code>GPCTR_Set_Application</code> and (optionally) <code>GPCTR_Change_Parameter</code> function. Do not arm the counter.
ND_ARM	Arm the general-purpose counter

**Table 2-30.** Legal Values for the **action** Parameter (Continued)

<b>action</b>	<b>Description</b>
ND_DISARM	Disarm the general-purpose counter
ND_PROGRAM	ND_PREPARE and then ND_ARM the counter
ND_RESET	Reset the general-purpose counter
ND_COUNT_UP	Change the counting direction to UP. See <i>Using This Function</i> below.
ND_COUNT_DOWN	Change the counting direction to DOWN. See <i>Using This Function</i> below.
ND_SWITCH_CYCLE (6602 and 455X devices only)	This action can be used to change the properties of a continuous pulse that was started using GPCTR_Set_Application with application = ND_PULSE_TRAIN_GNR. If you use ND_SWITCH_CYCLE after the counter is armed, the counter will be reloaded with the latest values specified by GPCTR_Change_Parameter with <b>paramID</b> = ND_COUNT_1 and ND_COUNT_2.

## Using This Function

You need to use this function with **action** = ND\_PROGRAM PROGRAM after completing the configuration sequence consisting of calling GPCTR\_Set\_Application followed by optional calls to GPCTR\_Change\_Parameter and GPCTR\_Config\_Buffer.

Use the ND\_PREPARE and ND\_ARM actions to program the counter before arming. You might find this useful if it is critical to minimize time between a software event (a call to GPCTR\_Control) and a hardware action (counter starts counting).

You can use this function with **action** = ND\_RESET when you want to halt the operation the general-purpose counter is performing.

Use actions ND\_COUNT\_UP and ND\_COUNT\_DOWN to change the counting direction. You can do this only when your application is ND\_SIMPLE\_EVENT\_CNT or ND\_BUFFERED\_EVENT\_CNT and the counter is configured for software control of the counting direction for UP or DOWN.

For 6602 and 455X devices only, use action ND\_SWITCH\_CYCLE only if your application is ND\_PULSE\_TRAIN\_GNR.

## GPCTR\_Read\_Buffer

---

### Format

**status = GPCTR\_Read\_Buffer (deviceNumber, gpctrNum, readMode, numPts, readOffSet, timeOut, buffer)**

### Purpose

Returns the data from a asynchronous counter input operation. The read mode and offset combined allow you to specify the location from which to read the data for 6602 and 455X devices only.

### Parameters

#### Input

Name	Type	Description
<b>deviceNumber</b>	i16	assigned by configuration utility
<b>gpctrNum</b>	u32	number of the counter to use
<b>readMode</b>	u32	the parameter to set the reading point in the buffer
<b>numPts</b>	u32	the number of points to read
<b>readOffSet</b>	i32	the offset from the reading point
<b>timeOut</b>	u32	time for which this function will wait before returning
<b>buffer</b>	u32	destination buffer for the data

### Parameter Discussion

**gpctrNum** indicates which counter to program. Legal values for this parameter are shown in Table 2-19.

The type of read operation specified in **readMode** is used in conjunction with the **readOffSet** to compute the reading mark. Basically, read mark = reading point (specified by **readMode**) + **readOffSet**. The **readMode** can have the following legal values:

- **ND\_READ\_MARK**—The reading point is placed at the location of the current read mark.
- **ND\_BUFFER\_START**—The reading point is placed at the start of the buffer.
- **ND\_WRITE\_MARK**—The reading point is placed at a position in the buffer that has the latest data.

**numPts** is the number of points to retrieve from the buffer being used. This argument is passed by reference. When this function returns, **numPts** holds the value of actual number of inputs that were read.

**readOffset** is the offset that is added to the reading point specified by **readMode** to compute the location in the buffer from which data is to be read.

**timeOut** is the time in seconds that specifies the maximum amount of time this function should wait before returning. If **timeOut** is 0 this function return immediately. If the requested amount of data is not available, the appropriate error code is returned.

**buffer** is the destination buffer to hold the retrieved data. Its size should be  $\geq$  **numPts**.

**status** is the return value that specifies success (return value 0) or **overWriteError**.

## Using This Function

You need to use this function for reading data from a buffer during double buffered or asynchronous data acquisition.

## GPCTR\_Set\_Application

---

### Format

**status = GPCTR\_Set\_Application (deviceNumber, gpctrNum, application)**

### Purpose

Selects the application for which you use the general-purpose counter.

### Parameters

#### Input

Name	Type	Description
<b>deviceNumber</b>	i16	assigned by configuration utility
<b>gpctrNum</b>	u32	number of the counter to use
<b>application</b>	u32	application for which to use the counter

### Parameter Discussion

Legal ranges for **gpctrNum** and **application** are given in terms of constants that are defined in a header file. The header file you should use depends on which of the following languages you are using:

- C programmers—`NIDAQCNS.H` (`DATAACQ.H` for LabWindows/CVI)
- BASIC programmers—`NIDAQCNS.INC` (Visual Basic for Windows programmers should refer to the *Programming Language Considerations* section in Chapter 1, *Using the NI-DAQ Functions*, for more information.)
- Pascal programmers—`NIDAQCNS.PAS`

**gpctrNum** indicates which counter to program. Legal values for this parameter are shown in Table 2-20.



**application** can be one of the following.

**Table 2-31.** Descriptions for **application**

Group	Application	Description
Simple Counting and Time Measurement	ND_SIMPLE_EVENT_CNT	Simple event counting
	ND_SINGLE_PERIOD_MSR	Simple single period measurement
	ND_SINGLE_PULSE_WIDTH_MSR	Simple single pulse-width measurement
	ND_TRIG_PULSE_WIDTH_MSR	Pulse-width measurement you can use for recurring pulses
	ND_TWO_SIGNAL_EDGE_SEPARATION_MSR	Pulse-width measurement for signals on two separate gates (6602 and 455X devices only)
Simple Pulse and Pulse Train Generation	ND_SINGLE_PULSE_GNR	Generation of a single pulse
	ND_SINGLE_TRIG_PULSE_GNR	Generation of a single triggered pulse
	ND_RETRIG_PULSE_GNR	Generation of a retriggerable single pulse
	ND_PULSE_TRAIN_GNR	Generation of pulse train
	ND_FSK	Frequency Shift-Keying
Buffered Counting and Time Measurement	ND_BUFFERED_EVENT_CNT	Buffered, asynchronous event counting
	ND_BUFFERED_PERIOD_MSR	Buffered, asynchronous period measurement
	ND_BUFFERED_SEMI_PERIOD_MSR	Buffered, asynchronous semi-period measurement
	ND_BUFFERED_PULSE_WIDTH_MSR	Buffered, asynchronous pulse-width measurement
	ND_BUFFERED_TWO_SIGNAL_EDGE_SEPARATION_MSR	Buffered, asynchronous pulse-width measurement for signals on separate gates (6602 and 455X devices only)
_CNT = Counting _MSR = Measurement _GNR = Generation		

## Using This Function

NI-DAQ requires you to select a set of parameters so that it can program the counter hardware. Those parameters include, for example, signals to be used as counter source and gate and the polarities of those signals. A full list of the parameters is given in the description of the `GPCTR_Change_Parameter` function. By using the `GPCTR_Set_Application` function, you assign specific values to all of those parameters. If you do not like some of the settings used by this function, you can alter them by using the `GPCTR_Change_Parameter` function.

When using DMA for buffered GPCTR operations on E Series and 445X devices, you should use the internal 20 MHz timebase over the internal 100 kHz timebase. The 100 kHz timebase does not work correctly when you are using DMA. For measuring gate signals slower than the internal 20 MHz timebase will allow, or when you need to use DMA, we recommend using external timebases. You can use DMA operations on typical 486-based machines without any errors for gate signals of up to 50 kHz using the internal 20 MHz timebase. Trying to achieve rates higher than 50 kHz might cause **gpctrDataLossError**. This error might cause some computers to lock up because of a memory parity error.

The behavior of the counter you are preparing for an application with this function will depend on **application**, your future calls of the GPCTR functions, and the signals supplied to the counter. The following paragraphs illustrate typical scenarios.

**application** = `ND_SIMPLE_EVENT_CNT`

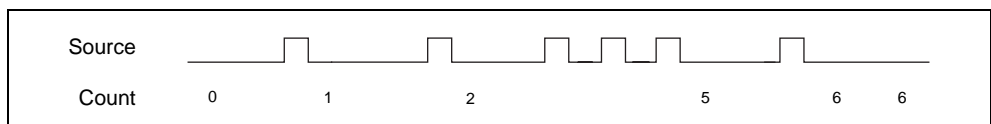
In this application, the counter is used for simple counting of events. By default, the events are low-to-high transitions on the default source pins (see Table 2-22 for default source selections). The counter counts up starting from 0, and it is not gated.

Figure 2-14 shows one possible scenario of a counter used for `ND_SIMPLE_EVENT_CNT` after the following programming sequence:

```
GPCTR_Control(deviceNumber, gpctrNum, ND_RESET)
GPCTR_Set_Application(deviceNumber, gpctrNum, ND_SIMPLE_EVENT_CNT)
GPCTR_Control(deviceNumber, gpctrNum, ND_PROGRAM)
```

In Figure 2-14, the following behavior is present:

- Source is the signal present at the counter source input.
- Count is the value you would read from the counter if you called the `GPCTR_Watch` function with **entityID** = `ND_COUNT`. The different numbers illustrate behavior at different times.



**Figure 2-14.** Simple Event Counting

The following pseudo-code continuation of the example given earlier illustrates what you can do to read the counter value continuously (GPCTR\_Watch function with **entityID** = ND\_COUNT does this) and print it:

```
Repeat Forever
{
GPCTR_Watch(deviceNumber, gpctrNum, ND_COUNT, counterValue)
Output counterValue.
}
```

When the counter reaches terminal count (TC), it rolls over and keeps counting. To check if this occurred, use GPCTR\_Watch function with **entityID** set to ND\_TC\_REACHED. Refer to Table 2-32 for TC for E Series, 445X, 455X, and 6602 devices.

**Table 2-32.** Terminal Count

E Series and 445X Devices	6602 and 455X Devices
$2^{24} - 1$	$2^{32} - 1$

Typically, you will find modifying the following parameters through the GPCTR\_Change\_Parameter function useful when the counter **application** is ND\_SIMPLE\_EVENT\_CNT. You can change the following:

- ND\_SOURCE to any value
- ND\_SOURCE\_POLARITY to ND\_HIGH\_TO\_LOW
- ND\_INPUT\_CONDITIONING (6602 and 455X devices only) to any value.

You can use the GPCTR\_Change\_Parameter function after calling GPCTR\_Set\_Application and before calling GPCTR\_Control with **action** = ND\_PROGRAM or ND\_PREPARE.

**application** = ND\_SINGLE\_PERIOD\_MSR

In this application, the counter is used for a single measurement of the time interval between two transitions of the same polarity of the gate signal. By default, the events are low-to-high transitions on the default gate connector pins (see Table 2-25). The counter counts the 20 MHz internal timebase (ND\_INTERNAL\_20\_MHZ), so the resolution of measurement is 50 ns. The counter counts up starting from 0.

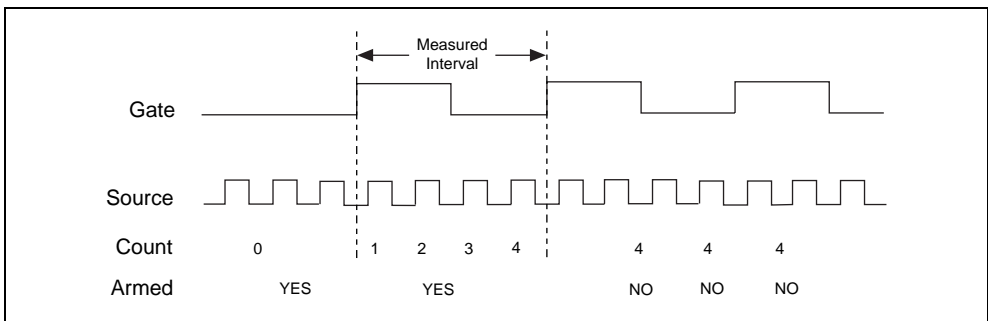
With the default 20 MHz timebase, combined with the counter width (24 bits), you can measure a time interval between 100 ns and 0.8 s long. For the 6602 devices with counter width 32 bits, you can measure a time interval between 100 ns and 214 s long.

Figure 2-15 shows one possible scenario of a counter used for ND\_SINGLE\_PERIOD\_MSR after the following programming sequence:

```
GPCTR_Control(deviceNumber, gpctrNum, ND_RESET)
GPCTR_Set_Application(deviceNumber, gpctrNum,
ND_SINGLE_PERIOD_MSR)GPCTR_Set_Application
GPCTR_Control(deviceNumber, gpctrNum, ND_PROGRAM)
```

In Figure 2-15, the following behavior is present:

- Gate is the signal present at the counter gate input.
- Source is the signal present at the counter source input.
- Count is the value you would read from the counter if you called the GPCTR\_Watch function with **entityID** = ND\_COUNT. The different numbers illustrate behavior at different times.
- Armed is the value you would read from the counter if you called the GPCTR\_Watch function with **entityID** = ND\_ARMED. The different values illustrate behavior at different times.



**Figure 2-15.** Single Period Measurement

Use the GPCTR\_Watch function with **entityID** = ND\_ARMED to monitor the progress of the counting process. This measurement completes when **entityValue** becomes ND\_NO. When the counter is no longer armed, you can retrieve the counted value by using GPCTR\_Watch with **entityID** = ND\_COUNT. You can do this as follows:

```
Create u32 variable counter_armed.
Create u32 variable counted_value.
repeat
{
    GPCTR_Watch(deviceNumber, gpctrNumber, ND_ARMED, counter_armed)
}
}
```

```
until (counter_armed = ND_NO)
GPCTR_Watch(deviceNumber, gpctrNumber, ND_COUNT, counted_value)
```

To calculate the measured interval, you need to multiply the counted value by the period corresponding to the timebase you are using. For example, if your `ND_SOURCE` is `ND_INTERNAL_20_MHZ`, the interval will be  $1/(20 \text{ MHz}) = 50 \text{ ns}$ . If the `ND_COUNT` is 4, (Figure 2-15), the actual interval is  $4 * 50 \text{ ns} = 200 \text{ ns}$ .

When the counter reaches terminal count (see Table 2-31), it rolls over and keeps counting. To check if this occurred, use the `GPCTR_Watch` function with **entityID** set to `ND_TC_REACHED`.

Typically, you will find modifying the following parameters through the `GPCTR_Change_Parameter` function useful when the counter **application** is `ND_SINGLE_PERIOD_MSR`. You can change the following:

- `ND_SOURCE` to `ND_INTERNAL_100_KHZ`. With this timebase, you can measure the time interval between  $20 \mu\text{s}$  and 160 s for E Series and 445X (24 bits) devices and a time interval of  $20 \mu\text{s}$  and 11.37 hours for 6602 and 455X devices (32 bits). The resolution will be lower than if you are using the `ND_INTERNAL_20_MHZ` timebase.
- `ND_SOURCE_POLARITY` to `ND_HIGH_TO_LOW`.
- `ND_GATE` to any legal value listed in the `GPCTR_Change_Parameter` function description.
- `ND_GATE_POLARITY` to `ND_NEGATIVE`. The interval will be measured from a high-to-low to the next high-to-low transition of the gate signal.

You can use the `GPCTR_Change_Parameter` function after calling `GPCTR_Set_Application` and before calling `GPCTR_Control` with **action** = `ND_PROGRAM` or `ND_PREPARE`.

To provide your timebase, you can connect your timebase source to one of the PFI pins on the I/O connector and change `ND_SOURCE` and `ND_SOURCE_POLARITY` to the appropriate values.

You also can configure the other general-purpose counter for `ND_PULSE_TRAIN_GNR` and set `ND_SOURCE` of this counter to `ND_OTHER_GPCTR_TC` to measure intervals longer than the interval timebases allow.

#### **application** = `ND_SINGLE_PULSE_WIDTH_MSR`

In this application, the counter is used for a single measurement of the time interval between two transitions of the opposite polarity of the gate signal. By default, the measurement is performed between a low-to-high and a high-to-low transition on the default I/O connector gate pin (refer to Table 2-25). The counter counts the 20 MHz internal timebase (`ND_INTERNAL_20_MHZ`), so the resolution of measurement is 50 ns. The counter counts up starting from 0. For the E Series and 445X devices with counter width of 24 bits, you can

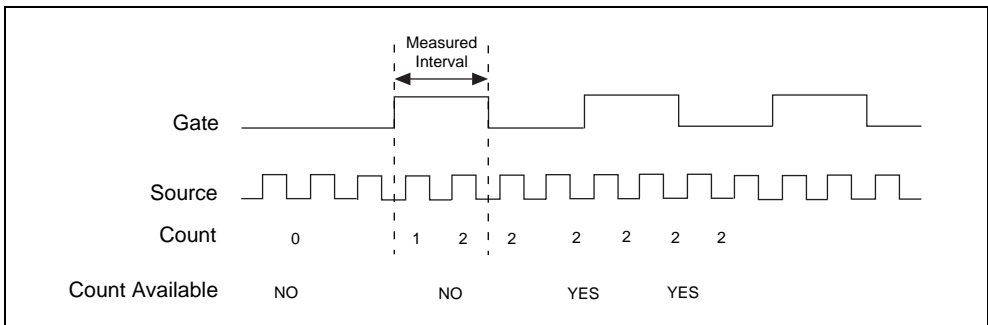
measure a time interval between 100 ns and 0.8 s long. For the 6602 and 455X devices with counter width 32 bits, you can measure a time interval between 100 ns and 214 s long.

Figure 2-16 shows one possible scenario of a counter used for ND\_SINGLE\_PULSE\_WIDTH\_MSR after the following programming sequence:

```
GPCTR_Control(deviceNumber, gpctrNum, ND_RESET)
GPCTR_Set_Application(deviceNumber, gpctrNum,
ND_SINGLE_PULSE_WIDTH_MSR)
GPCTR_Control(deviceNumber, gpctrNum, ND_PROGRAM)
```

In Figure 2-16, the following behavior is present:

- Gate is the signal present at the counter gate input.
- Source is the signal present at the counter source input.
- Count is the value you would read from the counter if you called the GPCTR\_Watch function with **entityID** = ND\_COUNT. The different numbers illustrate behavior at different times.
- Count Available is the value you would read from the counter if you called the GPCTR\_Watch function with **entityID** = ND\_COUNT\_AVAILABLE. The different values illustrate behavior at different times.



**Figure 2-16.** Single Pulse Width Measurement

Use the GPCTR\_Watch function with **entityID** = ND\_ARMED to monitor the progress of the counting process. This measurement completes when **entityValue** becomes ND\_NO. When the counter is no longer armed, you can retrieve the counted value by using GPCTR\_Watch with **entityID** = ND\_COUNT, as shown in the following example code:

```
Create u32 variable count_available.
Create u32 variable counted_value.
repeat
{
```

```

GPCTR_Watch(deviceNumber, gpctrNumber, ND_COUNT_AVAILABLE,
count_available)
}
until (count_available = ND_YES)
GPCTR_Watch(deviceNumber, gpctrNumber, ND_COUNT, counted_value)

```

To calculate the measured interval, multiply the counted value by the period corresponding to the timebase you are using. For example, if your `ND_SOURCE` is `ND_INTERNAL_20_MHZ`, the interval will be  $1/(20 \text{ MHz}) = 50 \text{ ns}$ . If the `ND_COUNT` is 4 (Figure 2-15), the actual interval is  $4 * 50 \text{ ns} = 200 \text{ ns}$ .

When the counter reaches TC (Terminal Count), it rolls over and keeps counting. To check if this occurred, use the `GPCTR_Watch` function with **entityID** set to `ND_TC_REACHED`.

Typically, you will find modifying the following parameters through the `GPCTR_Change_Parameter` function useful when the counter **application** is `ND_SINGLE_PULSE_WIDTH_MSR`. You can change the following:

- `ND_SOURCE` to `ND_INTERNAL_100_KHZ`. With this timebase, you can measure pulse widths between  $20 \mu\text{s}$  and 160 s. The resolution will be lower than if you are using the `ND_INTERNAL_20_MHZ` timebase.
- `ND_SOURCE_POLARITY` to `ND_HIGH_TO_LOW`.
- `ND_GATE` to any legal value listed in the `GPCTR_Change_Parameter` function description.
- `ND_GATE_POLARITY` to `ND_NEGATIVE`. The pulse width will be measured from a high-to-low to the next low-to-high transition of the gate signal.

You can use the `GPCTR_Change_Parameter` function after calling `GPCTR_Set_Application` and before calling `GPCTR_Control` with **action** = `ND_PROGRAM` or `ND_PREPARE`.

To provide your timebase, connect your timebase source to one of the PFI pins on the I/O connector and change `ND_SOURCE` and `ND_SOURCE_POLARITY` to the appropriate values.

You can also configure the other general-purpose counter for `ND_PULSE_TRAIN_GNR` and set `ND_SOURCE` of this counter to `ND_OTHER_GPCTR_TC` to measure pulse widths longer than 160 s for E Series and 445X devices and 11.37 hours for 6602 and 455X devices.



**Caution** *Application* `ND_SINGLE_PULSE_WIDTH_MSR` **works as described only if the gate signal stays in the low state when** `ND_GATE_POLARITY` **is** `ND_POSITIVE`, **or if the signal stays in the high state when** `ND_GATE_POLARITY` **is** `ND_NEGATIVE` **while** `GPCTR_Control` **is executed with** **action** = `ND_ARM` **or** **action** = `ND_PROGRAM`. **If this criterion is not met, executing** `GPCTR_Control` **with** **action** = `ND_ARM` **or**

**action = ND\_PROGRAM returns gateSignalError. If this happens, you should not rely on values returned by GPCTR\_Watch.**

**application = ND\_TRIG\_PULSE\_WIDTH\_MSR**

In this application, the counter is used for a single measurement of the time interval between two transitions of the opposite polarity of the gate signal. By default, the measurement is performed between a low-to-high and a high-to-low transition on the I/O connector default gate pins (see Table 2-25 for default gate pin selection). The counter counts the 20 MHz internal timebase (INTERNAL\_20\_MHZ), so the resolution of measurement is 50 ns. The counter counts up starting from 0.

Unlike ND\_SINGLE\_PULSE\_WIDTH\_MSR, your gate signal can change state during counter arming. However, the counter will start counting only after a high-to-low edge on the gate if the gate polarity is positive, or after a low-to-high edge on the gate if the gate polarity is negative. This transition is the trigger from this application's name.

The default 20 MHz timebase, combined with the counter width (24 bits), lets you measure the duration of a pulse between 100 ns and 0.8 s long. For the 6602 and 455X devices with counter width 32 bits, you can measure pulse duration between 100 ns and 214 s long.

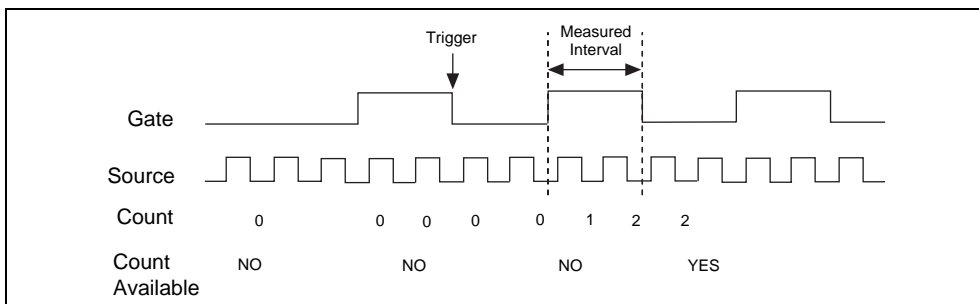
Figure 2-17 shows one possible scenario of a counter used for ND\_TRIG\_PULSE\_WIDTH\_MSR after the following programming sequence:

```
GPCTR_Control(deviceNumber, gpctrNum, ND_RESET)
GPCTR_Set_Application(deviceNumber, gpctrNum, ND_TRIG_PULSE_WIDTH_MSR)
GPCTR_Control(deviceNumber, gpctrNum, ND_PROGRAM)
```

In Figure 2-17, the following behavior is present:

- Gate is the signal present at the counter gate input.
- Source is the signal present at the counter source input.
- Count is the value you would read from the counter if you called the GPCTR\_Watch function with **entityID** = ND\_COUNT. The different numbers illustrate behavior at different times.
- Count Available is the value you would read from the counter if you called the GPCTR\_Watch function with **entityID** = ND\_COUNT\_AVAILABLE. The different values illustrate behavior at different times.





**Figure 2-17.** Single Triggered Pulse Width Generation Measurement

Use the `GPCTR_Watch` function with **entityID** = `ND_COUNT_AVAILABLE` to monitor the progress of the counting process. This measurement completes when **entityValue** becomes `ND_YES`. After this is completed, you can retrieve the counted value by using `GPCTR_Watch` with **entityID** = `ND_COUNT`, as shown in the following example code:

```
Create u32 variable count_available.
Create u32 variable counted_value.
repeat
{
    GPCTR_Watch(deviceNumber, gpctrNumber, ND_COUNT_AVAILABLE,
        count_available)
}
until (count_available = ND_YES)

GPCTR_Watch(deviceNumber, gpctrNumber, ND_COUNT, counted_value)
```

To calculate the measured interval, multiply the counted value by the period corresponding to the timebase you are using. For example, if your `ND_SOURCE` is `ND_INTERNAL_20_MHZ`, the interval will be  $1/(20 \text{ MHz}) = 50 \text{ ns}$ . If the `ND_COUNT` is 4 (Figure 2-15), the actual interval is  $4 * 50 \text{ ns} = 200 \text{ ns}$ .



**Note** *The measured interval will correspond to the most recent pulse that arrived prior to the invoking of `GPCTR_Watch` call with **entityID** set to `ND_COUNT_AVAILABLE`.*



**Caution** *There should be source transitions between gate transitions in order for this measurement to be correct.*

When the counter reaches terminal count ( $2^{24} - 1$  for E Series and 445X devices, and  $2^{32} - 1$  for 6602 and 455X devices), it rolls over and keeps counting. To check if this occurred, use `GPCTR_Watch` function with **entityID** set to `ND_TC_REACHED`.

Typically, you will find modifying the following parameters through the `GPCTR_Change_Parameter` function useful when the counter **application** is `ND_TRIG_PULSE_WIDTH_MSR`. You can change the following:

- `ND_SOURCE` to `ND_INTERNAL_100_KHZ`. With this timebase, you can measure pulse widths between 20  $\mu$ s and 160 s for E Series and 445X devices and pulse widths between 20  $\mu$ s and 11.37 hours for 6602 and 455X devices. The timing resolution will be lower than if you are using the `ND_INTERNAL_20_MHZ` timebase.
- `ND_SOURCE_POLARITY` to `ND_HIGH_TO_LOW`.
- `ND_GATE` to any legal value listed in the `GPCTR_Change_Parameter` function description.
- `ND_GATE_POLARITY` to `ND_NEGATIVE`. The pulse width will be measured from a high-to-low to the next low-to-high transition of the gate signal.

You can use the `GPCTR_Change_Parameter` function after calling `GPCTR_Set_Application` and before calling `GPCTR_Control` with **action** = `ND_PROGRAM` or `ND_PREPARE`.

To provide your timebase, connect your timebase source to one of the source pins on the I/O connector and change `ND_SOURCE` and `ND_SOURCE_POLARITY` to the appropriate values.

You can also configure the other general-purpose counter for `ND_PULSE_TRAIN_GNR` and set `ND_SOURCE` of this counter to `ND_OTHER_GPCTR_TC` to generate pulses with delays and measure interval pulse widths longer than 160 s for E Series and 445X devices. You can generate pulse widths longer than 11.37 hours for 6602 and 455X devices by using this application.

#### **application** = `ND_TWO_SIGNAL_EDGE_SEPARATION_MSR`

In this application, the counter is used for a single measurement of the time interval between transitions of the gate and the second gate signal. Measurement starts when the gate signal is asserted and stops when the second gate is asserted. By default, the measurement is performed between low-to-high transitions of the gate and the second gate signals. The default values for gate and second gate signals for the eight counters are shown in Table 2-25 and Table 2-26 respectively. The counter counts the 20 MHz internal timebase (`ND_INTERNAL_20_MHZ`), so the resolution of measurement is 50 ns. The counter counts up starting from 0.

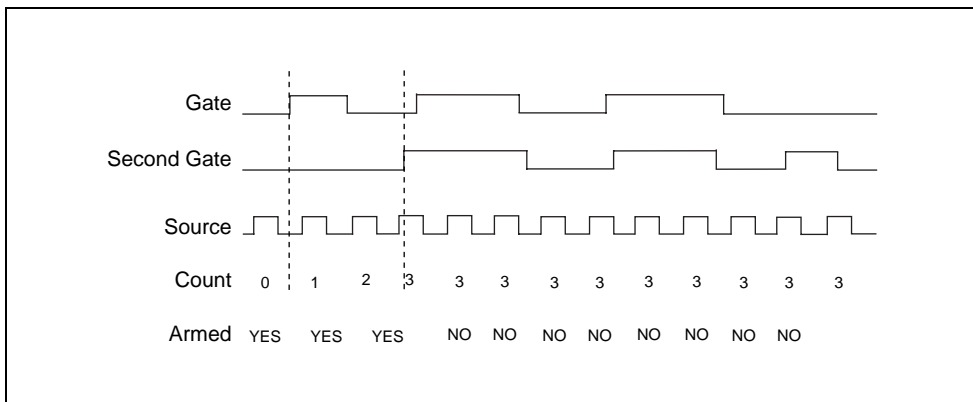
The default 20 MHz timebase, combined with the counter width (32 bits), lets you measure the duration of a pulse between 100 ns and 214 s long.

Figure 2-18 shows one possible use of a counter for ND\_TWO\_SIGNAL\_EDGE\_SEPARATION\_MSR after the following programming sequence:

```
GPCTR_Control (deviceNumber, gpctrNum, ND_RESET)
GPCTR_Set_Application (deviceNumber, gpctrNum,
ND_TWO_SIGNAL_EDGE_SEPARATION_MSR)
GPCTR_Control (deviceNumber, gpctrNum, ND_PROGRAM)
```

In Figure 2-18, the following behavior is present:

- Gate is the signal present at the counter gate input.
- Second Gate is the signal present at the counter second gate input.
- Source is the signal present at the counter source input.
- Count is the value you would read from the counter if you called the GPCTR\_Watch function with **entityID** = ND\_COUNT. The different numbers illustrate the behavior at different times.
- Armed is the value you would read from the counter if you called the GPCTR\_Watch function with **entityID** = ND\_ARMED. The different values illustrate behavior at different times.



**Figure 2-18.** Start-Stop Measurement

Use the GPCTR\_Watch function with **entityID** = ND\_ARMED to monitor the progress of the counting process. This measurement completes when **entityValue** becomes ND\_NO. When the counter is no longer armed, you can retrieve the counted value by using GPCTR\_Watch with **entityID** = ND\_COUNT, as shown in the following example code:

```
Create U32 variable counter_armed.
Create U32 variable counter_value.
repeat
```

```

{
GPCTR_Watch (deviceNumber, gpctrNumber, ND_ARMED, counter_armed)
until (counter_armed = ND_NO)
GPCTR_Watch (deviceNumber, gpctrNumber, ND_COUNT, counted_value)

```

To calculate the measured interval, multiply the counted value by the period corresponding to the timebase you are using. For example, if your ND\_SOURCE is ND\_INTERVAL\_20\_MHZ, the interval will be  $(1/20 \text{ MHz}) = 50 \text{ ns}$ . If the ND\_COUNT is 3 (Figure 2-18), the actual interval is  $3 * 50 \text{ ns} = 150 \text{ ns}$ .

When the counter reaches terminal count ( $2^{24} - 1$  for E Series and 445X devices, and  $2^{32} - 1$  for 6602 and 455X devices), it rolls over and keeps counting. To check if this occurred, use GPCTR\_Watch function with **entityID** set to ND\_TC\_REACHED.

- Typically, you will find modifying the following parameters through the GPCTR\_Change\_Parameter function useful when the counter application is ND\_BUFFERED\_TWO\_SIGNAL\_EDGE\_SEPARATION\_MSR. You can change the following:
  - ND\_SOURCE to ND\_INTERNAL\_100\_KHZ. With this timebase, you can measure intervals between 20  $\mu\text{s}$  and 11.37 hours long. The resolution will be lower than if you are using ND\_INTERVAL\_20\_MHZ.
  - ND\_SOURCE\_POLARITY to ND\_HIGH\_TO\_LOW.
  - ND\_GATE to any legal value listed in the GPCTR\_Change\_Parameter function description.
  - ND\_GATE\_POLARITY to ND\_NEGATIVE. Measurement will be performed on the active low pulses.
  - ND\_SECOND\_GATE to any legal value listed in the GPCTR\_Change\_Parameter function description.
  - ND\_SECOND\_GATE\_POLARITY to ND\_NEGATIVE. Measurement is performed on the active low pulses.

#### **application** = ND\_SINGLE\_PULSE\_GNR

In this application, the counter is used for the generation of single delayed pulse. By default, you get by using through the 20 MHz internal timebase (ND\_INTERNAL\_20\_MHZ), so the resolution of timing is 50 ns. By default, the counter counts down from ND\_COUNT\_1 = 5 million to 0 for the delay time, and then down from ND\_COUNT\_2 = 10 million to 0 for the pulse generation time to generate a 0.5 s pulse after 0.25 s of delay.

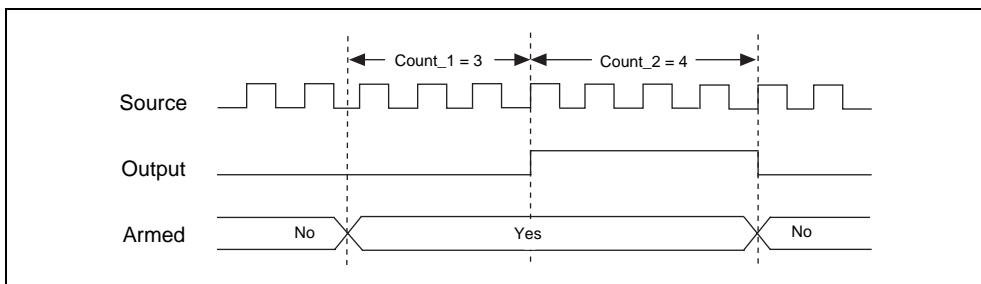
With the default 20 MHz timebase, combined with the counter width of 24 bits (E Series and 445X only), you can generate pulses with a delay and length between 100 ns and 0.8 s long. For the 6602 and 455X devices with counter width 32 bits, you can generate pulses with a delay and length between 100 ns and 214 s long.

For example, assume that you want to generate a pulse 200 ns long after 150 ns of delay. You need to set `ND_COUNT_1` to  $150 \text{ ns}/50 \text{ ns} = 3$  and `ND_COUNT_2` to  $200 \text{ ns}/50 \text{ ns} = 4$ . Figure 2-19 shows the scenario of a counter used for `ND_SINGLE_PULSE_GNR` after the following programming sequence:

```
GPCTR_Control(deviceNumber, gpctrNum, ND_RESET)
GPCTR_Set_Application(deviceNumber, gpctrNum, ND_SINGLE_PULSE_GNR)
GPCTR_Change_Parameter(deviceNumber, gpctrNum, ND_COUNT_1, 3)
GPCTR_Change_Parameter(deviceNumber, gpctrNum, ND_COUNT_2, 4)
Select_Signal(deviceNumber, gpctrNumOut, gpctrNumOut, ND_LOW_TO_HIGH)
GPCTR_Control(deviceNumber, gpctrNum, ND_PROGRAM)
```

In Figure 2-19, the following behavior is present:

- Source is the signal present at the counter source input.
- Output is the signal present at the counter output.
- Armed is the value you would read from the counter if you called the `GPCTR_Watch` function with **entityID** = `ND_ARMED`. The different values illustrate behavior at different times.



**Figure 2-19.** Single Pulse Generation

Use the `GPCTR_Watch` function with **entityID** = `ND_ARMED` to monitor the progress of the pulse generation process. The generation completes when **entityValue** becomes `ND_NO`.

Typically, you find modifying of the following parameters through the `GPCTR_Change_Parameter` function useful when the counter **application** is `ND_SINGLE_PERIOD_MSR`. You can change the following:

- `ND_COUNT_1` and `ND_COUNT_2` to any value between 2 and  $2^{24} - 1$  for E Series and 445X devices, and to any value between  $2^{32} - 1$  for 6602 and 455X devices. The defaults are given for illustrative purposes only.
- `ND_SOURCE` to `ND_INTERNAL_100_KHZ`. With this timebase, you can generate pulses with a delay and length between 20  $\mu\text{s}$  and 160 s for E Series and 445X devices and

between 20 ns and 11.37 hours for 6602 and 455X devices. The timing resolution will be lower than if you are using the ND\_INTERNAL\_20\_MHZ timebase.

You can use the GPCTR\_Change\_Parameter function after calling GPCTR\_Set\_Application and before calling GPCTR\_Control with **action** = ND\_PROGRAM or ND\_PREPARE.

To provide your timebase, you can connect your timebase source to one of the PFI pins on the I/O connector and change ND\_SOURCE and ND\_SOURCE\_POLARITY to the appropriate values.

You also can configure the other general-purpose counter for ND\_PULSE\_TRAIN\_GNR and set ND\_SOURCE of this counter to ND\_OTHER\_GPCTR\_TC to generate pulses with delays and intervals longer than 160 s for E Series and 445X devices and 11.37 hours for 6602 and 455X devices.

#### **application** = ND\_SINGLE\_TRIG\_PULSE\_GNR

In this application, the counter is used for the generation of a single delayed pulse after a transition on the gate input. By default, this is achieved by using the 20 MHz internal timebase (ND\_INTERNAL\_20\_MHZ), so the resolution of timing is 50 ns. By default, the counter counts down from ND\_COUNT\_1 = 5 million to 0 for the delay time, and then down from ND\_COUNT\_2 = 10 million to 0 for the pulse generation time to generate a 0.5 s pulse after 0.25 s of delay. The default gate signal is shown in Table 2-25, and the transition that initiates the pulse generation is low-to-high. Only the first transition of the gate signal after you arm the counter initiates pulse generation; all subsequent transitions are ignored.

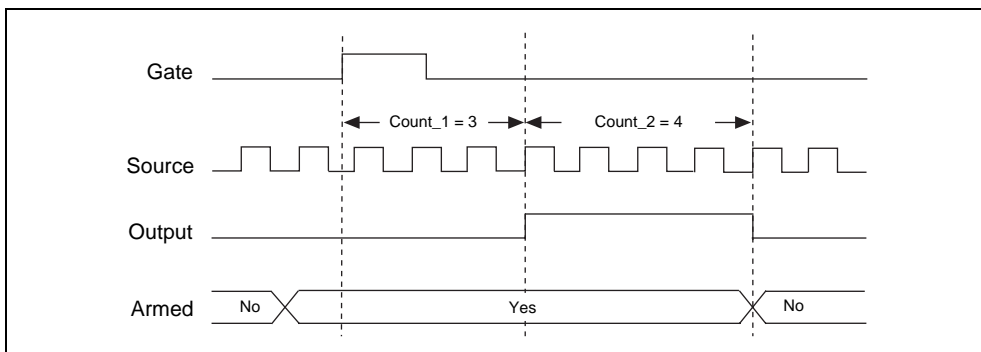
The default 20 MHz timebase, combined with the counter width (24 bits), lets you generate pulses with a delay and length between 100 ns and 0.8 s (each), for E Series and 445X devices only. For 6602 and 455X devices with counter width 32 bits, you can generate pulses with a delay and length between 100 ns and 214 s long.

For example, assume that you want to generate a pulse 200 ns long after 150 ns of delay from the transition of the gate signal. You need to set ND\_COUNT\_1 to 150 ns/50 ns = 3 and ND\_COUNT\_2 to 200 ns/50 ns = 4. Figure 2-20 shows the scenario of a counter used for ND\_SINGLE\_TRIG\_PULSE\_GNR after the following programming sequence:

```
GPCTR_Control(deviceNumber, gpctrNum, ND_RESET)
GPCTR_Set_Application(deviceNumber, gpctrNum,
ND_SINGLE_TRIG_PULSE_GNR)
GPCTR_Change_Parameter(deviceNumber, gpctrNum, ND_COUNT_1, 3)
GPCTR_Change_Parameter(deviceNumber, gpctrNum, ND_COUNT_2, 4)
Select_Signal(deviceNumber, gpctrNumOut, gpctrNumOut, ND_LOW_TO_HIGH)
GPCTR_Control(deviceNumber, gpctrNum, ND_PROGRAM)
```

In Figure 2-20, the following behavior is present:

- Gate is the signal present at the counter gate input.
- Source is the signal present at the counter source input.
- Output is the signal present at the counter output.
- Armed is the value you would read from the counter if you called the `GPCTR_Watch` function with **entityID** = `ND_ARMED`. The different values illustrate behavior at different times.



**Figure 2-20.** Single Triggered Pulse Generation

Use the `GPCTR_Watch` function with **entityID** = `ND_ARMED` to monitor the progress of the pulse generation process. The generation completes when **entityValue** becomes `ND_NO`.

Typically, you will find modification of the following parameters through the `GPCTR_Change_Parameter` function useful when the counter **application** is `ND_SINGLE_TRIG_PULSE_GNR`. You can change the following:

- `ND_COUNT_1` and `ND_COUNT_2` to any value between 2 and  $2^{24} - 1$ . The defaults are given for illustrative purposes only.
- `ND_SOURCE` to `ND_INTERNAL_100_KHZ`. With this timebase, you can generate pulses with a delay and length between 20  $\mu$ s and 160 s. The timing resolution will be lower than if you are using `ND_INTERNAL_20_MHZ` timebase.
- `ND_GATE` to any legal value listed in the `GPCTR_Change_Parameter` function description.
- `ND_GATE_POLARITY` to `ND_NEGATIVE`. A high-to-low transition of the gate signal initiates the pulse generation timing.

You can use the `GPCTR_Change_Parameter` function after calling `GPCTR_Set_Application` and before calling `GPCTR_Control` with **action** = `ND_PROGRAM` or `ND_PREPARE`.

To provide your timebase, you can connect your timebase source to one of the PFI pins on the I/O connector and change `ND_SOURCE` and `ND_SOURCE_POLARITY` to the appropriate values.

You also can configure the other general-purpose counter for `ND_SINGLE_TRIG_PULSE_GNR` and set `ND_SOURCE` of this counter to `ND_OTHER_GPCTR_TC` to generate pulses with delays and intervals longer than 160 s.

**application** = `ND_RETRIG_PULSE_GNR`

In this application, the counter is used for the generation of a retriggerable delayed pulse after each transition on the gate input. By default, you get this by using the 20 MHz internal timebase (`ND_INTERNAL_20_MHZ`), so the resolution of timing is 50 ns. The counter counts down from `ND_COUNT_1` = 5 million to 0 for the delay time and then down from `ND_COUNT_2` = 10 million to 0 for the pulse generation time to generate a 0.5 s pulses after 0.25 s of delay by default. The gate is the `PFI9/GPCTR0_GATE` I/O connector pin for general-purpose counter and the `PFI4/GPCTR1_GATE` I/O connector pin for general-purpose counter 1, and the transition which initiates the pulse generation is low-to-high. All transitions of the gate signal after you arm the counter to initiate pulse generation.

With the default 20 MHz timebase, combined with the counter width (24 bits), you can generate pulses with a delay and length between 100 ns and 0.8 s. For 6602 and 455X devices with counter width 32 bits, you can generate pulses with a delay and length between 100 ns and 214 s long.

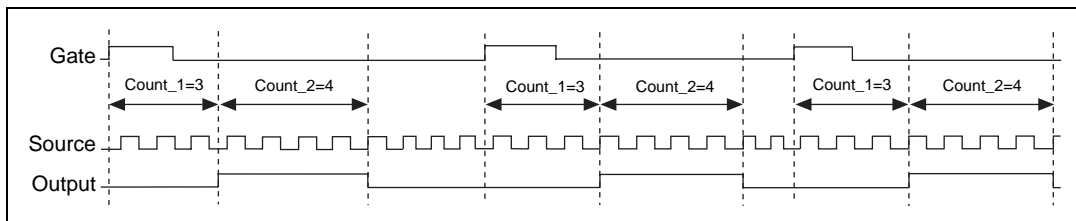
For example, assume that you want to generate a pulse 200 ns long after 150 ns of delay from every transition of the gate signal. You need to set `ND_COUNT_1` to  $150 \text{ ns} / 50 \text{ ns} = 3$  and `ND_COUNT_2` to  $200 \text{ ns} / 50 \text{ ns} = 4$ . Figure 2-21 shows the scenario of a counter used for `ND_RETRIG_PULSE_GNR` after the following programming sequence:

```
GPCTR_Control(deviceNumber, gpctrNum, ND_RESET)
GPCTR_Set_Application(deviceNumber, gpctrNum, ND_RETRIG_PULSE_GNR)
GPCTR_Change_Parameter(deviceNumber, gpctrNum, ND_COUNT_1, 3)
GPCTR_Change_Parameter(deviceNumber, gpctrNum, ND_COUNT_2, 4)
Select_Signal(deviceNumber, gpctrNumOut, gpctrNumOut, ND_LOW_TO_HIGH)
GPCTR_Control(deviceNumber, gpctrNum, ND_PROGRAM)
```

In Figure 2-21, the following behavior is present:

- Gate is the signal present at the counter gate input.
- Source is the signal present at the counter source input.
- Output is the signal present at the counter output.





**Figure 2-21.** Retriggerable Pulse Generation

Use the `GPCTR_Control` function with **action** = `ND_RESET` to stop the pulse generation.

Typically, you will find modifying the following parameters through the `GPCTR_Change_Parameter` function useful when the counter **application** is `ND_RETRIG_PULSE_GNR`. You can change the following:

- `ND_COUNT_1` and `ND_COUNT_2` to any value between 2 and  $2^{24} - 1$ . The defaults are given for illustrative purposes only.
- `ND_SOURCE` to `ND_INTERNAL_100_KHZ`. With this timebase, you can generate pulses with delay and length between 20  $\mu$ s and 160 s. The timing resolution will be lower than if you are using `ND_INTERNAL_20_MHZ` timebase.
- `ND_GATE` to any legal value listed in the `GPCTR_Change_Parameter` function description.
- `ND_GATE_POLARITY` to `ND_NEGATIVE`. A high-to-low transition of the gate signal initiates the pulse generation timing.

You can use the `GPCTR_Change_Parameter` function after calling `GPCTR_Set_Application` and before calling `GPCTR_Control` with **action** = `ND_PROGRAM` or `ND_PREPARE`.

To provide your timebase, you can connect your timebase source to one of the PFI pins on the I/O connector and change `ND_SOURCE` and `ND_SOURCE_POLARITY` to the appropriate values.

You also can configure the other general-purpose counter for `ND_RETRIG_PULSE_GNR`, and set `ND_SOURCE` of this counter to `ND_OTHER_GPCTR_TC` to generate pulses with delays and intervals longer than 160 s.

#### **application** = `ND_PULSE_TRAIN_GNR`

In this application, the counter is used for generation of a pulse train. By default, you get this by using the 20 MHz internal timebase (`ND_INTERNAL_20_MHZ`), so the resolution of timing is 50 ns. By default, the counter repeatedly counts down from `ND_COUNT_1` = 5 million to 0 for the delay time and then down from `ND_COUNT_2` = 10 million to 0 for the pulse generation time to generate a train of 0.5 s pulses separated by 0.25 s of delay. Pulse train generation starts as soon as you arm the counter. You must reset the counter to stop the pulse train.

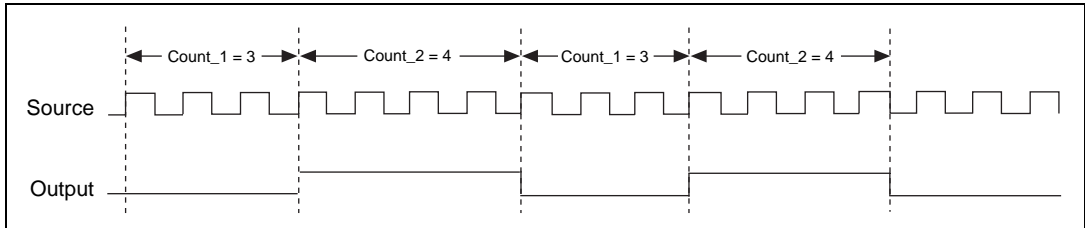
With the default 20 MHz timebase, combined with the counter width (24 bits), you can generate trains consisting of pulses with delay and length between 100 ns and 0.8 s. For the 6602 devices, you can generate pulses with a delay and length between 100 ns and 214 s long.

Assume that you want to generate a pulse train with the low period 150 ns long and the high period 200 ns long. You need to set `ND_COUNT_1` to  $150\text{ ns}/50\text{ ns} = 3$  and `ND_COUNT_2` to  $200\text{ ns}/50\text{ ns} = 4$ . This corresponds to a 20 MHz:  $(3 + 4) = 2.86\text{ MHz}$  signal with  $(3/7)/(4/7) = 43/57$  duty cycle. Figure 2-22 shows the scenario of a counter used for `ND_PULSE_TRAIN_GNR` after the following programming sequence:

```
GPCTR_Control(deviceNumber, gpctrNum, ND_RESET)
GPCTR_Set_Application(deviceNumber, gpctrNum, ND_PULSE_TRAIN_GNR)
GPCTR_Change_Parameter(deviceNumber, gpctrNum, ND_COUNT_1, 3)
GPCTR_Change_Parameter(deviceNumber, gpctrNum, ND_COUNT_2, 4)
Select_Signal(deviceNumber, gpctrNumOut, gpctrNumOut, ND_LOW_TO_HIGH)
GPCTR_Control(deviceNumber, gpctrNum, ND_PROGRAM)
```

In Figure 2-22, the following behavior is present:

- Source is the signal present at the counter source input.
- Output is the signal present at the counter output.



**Figure 2-22.** Pulse Train Generation

Use the `GPCTR_Control` function with **action** = `ND_RESET` to stop the pulse generation.

Typically, you will find modifying the following parameters through the `GPCTR_Change_Parameter` function useful when the counter **application** is `ND_PULSE_TRAIN_GNR`. You can change the following:

- `ND_COUNT_1` and `ND_COUNT_2` to any value between 2 and  $2^{24} - 1$ . The defaults are given for illustrative purposes only.
- `ND_SOURCE` to `ND_INTERNAL_100_KHZ`. With this timebase, you can generate pulses with delay and length between 20  $\mu\text{s}$  and 160 s. The timing resolution will be lower than if you are using the `ND_INTERNAL_20_MHZ` timebase.

You can use the `GPCTR_Change_Parameter` function after calling `GPCTR_Set_Application` and before calling `GPCTR_Control` with **action** = `ND_PROGRAM` or `ND_PREPARE`.

To provide your timebase, you can connect your timebase source to one of the PFI pins on the I/O connector and change `ND_SOURCE` and `ND_SOURCE_POLARITY` to the appropriate values.

You also can configure the other general-purpose counter for `ND_PULSE_TRAIN_GNR`, and set `ND_SOURCE` of this counter to `ND_OTHER_GPCTR_TC` to generate pulses with delays and intervals longer than 160 s.

#### **application** = `ND_FSK`

In this application, the counter is used for generation of frequency shift keyed signals. The counter generates a pulse train of one frequency and duty cycle when the gate is low, and a pulse train with different parameters when the gate is high. By default, you get this by using the 20 MHz internal timebase (`ND_INTERNAL_20_MHZ`), so the resolution of timing is 50 ns. By default, when the gate is low, the counter repeatedly counts down from `ND_COUNT_1` = 5 million to 0 for the delay time, and then down from `ND_COUNT_2` = 10 million to 0 for the pulse generation time, to generate a train 0.5 s pulses separated by 0.25 s of delay. Also by default, when the gate is high, the counter repeatedly counts down from `ND_COUNT_3` = 4 million to 0 for the delay time, and then down from `ND_COUNT_4` = 6 million to 0 for the pulse generation time, to generate a train 0.3 s pulses separated by 0.2 s of delay. The FSK pulse generation starts as soon as you arm the counter. You must reset the counter to stop the pulse generation.

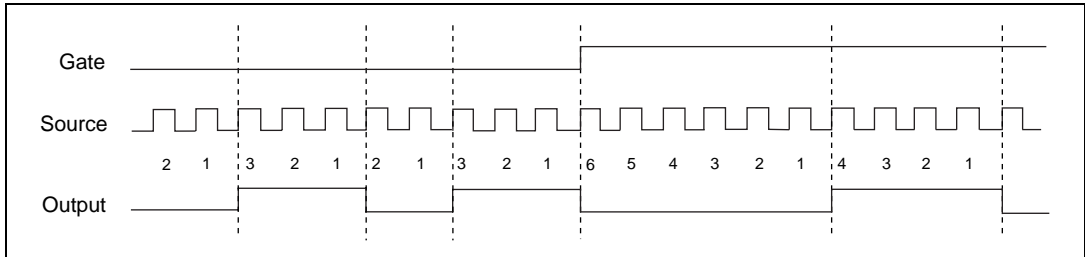
The default 20 MHz timebase, combined with the counter width (24 bits), lets you generate pulses with a delay and length between 100 ns and 0.8 s. For the 6602 devices with counter width 32 bits, you can generate pulses with a delay and width of 100 ns and 214 s long.

Assume that you want to generate a pulse train with 100 ns low time and 150 ns high time when the gate is low and with 300 ns low time and 200 ns high time when the gate is high. You need to set `ND_COUNT_1` to  $100\text{ ns}/50\text{ ns} = 2$ , `ND_COUNT_2` to  $150\text{ ns}/50\text{ ns} = 3$ , `ND_COUNT_3` to  $300\text{ ns}/50\text{ ns} = 6$ , and `ND_COUNT_4` to  $200\text{ ns}/50\text{ ns} = 4$ . Figure 2-23 shows a counter used for `ND_FSK` after the following programming sequence:

```
GPCTR_Control(deviceNumber, gpctrNum, ND_RESET)
GPCTR_Set_Application(deviceNumber, gpctrNum, ND_FSK)
GPCTR_Change_Parameter(deviceNumber, gpctrNum, ND_COUNT_1, 2)
GPCTR_Change_Parameter(deviceNumber, gpctrNum, ND_COUNT_2, 3)
GPCTR_Change_Parameter(deviceNumber, gpctrNum, ND_COUNT_3, 6)
GPCTR_Change_Parameter(deviceNumber, gpctrNum, ND_COUNT_4, 4)
Select_Signal(deviceNumber, gpctrNumOut, gpctrNumOut, ND_LOW_TO_HIGH)
GPCTR_Control(deviceNumber, gpctrNum, ND_PROGRAM)
```

In Figure 2-23, the following behavior is present:

- Gate is the signal present at the counter gate input.
- Source is the signal present at the counter source input.
- Output is the signal present at the counter output.



**Figure 2-23.** Frequency Shift Keying

Use the `GPCTR_Control` function with **action** = `ND_RESET` to stop the pulse generation.

Typically, you will find modifying the following parameters through the `GPCTR_Change_Parameter` function useful when the counter **application** is `ND_FSK`. You can change the following:

- `ND_COUNT_1`, `ND_COUNT_2`, `ND_COUNT_3`, and `ND_COUNT_4` to any value between 2 and  $2^{24} - 1$ . The defaults are given for illustrative purposes only.
- `ND_SOURCE` to `ND_INTERNAL_100_KHZ`. With this timebase, you can generate pulses with a delay and length between 20  $\mu$ s and 160 s. The timing resolution will be lower than if you are using the `ND_INTERNAL_20_MHZ` timebase.
- `ND_GATE` to any legal value listed in the `GPCTR_Change_Parameter` function description.

You can use the `GPCTR_Change_Parameter` function after calling `GPCTR_Set_Application` and before calling `GPCTR_Control` with **action** = `ND_PROGRAM` or `ND_PREPARE`.

To provide your timebase, connect your timebase source to one of the PFI pins on the I/O connector and change `ND_SOURCE` and `ND_SOURCE_POLARITY` to the appropriate values.

You also can configure the other general-purpose counter for `ND_FSK`, and set `ND_SOURCE` of this counter to `ND_OTHER_GPCTR_TC` to generate pulses with delays and intervals longer than 160 s.

**application** = `ND_BUFFERED_EVENT_CNT`

In this application, the counter is used for continuous counting of events. By default, the counted events are low-to-high transitions on the line given in Table 2-21. Counts present at specified events of the signal present at the gate are saved in a buffer. By default, those events

are the low-to-high transitions of the signal on the PFI9/GPCTR0\_GATE I/O connector pin for general-purpose counter 0 and the PFI4/GPCTR1\_GATE I/O connector pin for general-purpose counter 1. The counter counts up starting from 0; its contents are placed in the buffer after an edge of appropriate polarity is detected on the gate; the counter keeps counting without interruption. NI-DAQ transfers data from the counter into the buffer until the buffer is filled; the counter is disarmed at that time.

The counter width (24 bits) lets you count up to  $2^{24} - 1$  events for E Series and 445X devices, or up to  $2^{32} - 1$  for the 6602 and 455X devices with counter width 32 bits. Figure 2-24 shows one possible scenario of a counter used for ND\_BUFFERED\_EVENT\_CNT after the following programming sequence:

```
Make buffer be a 100-element array of u32.
GPCTR_Control(deviceNumber, gpctrNum, ND_RESET) ND_RESET)
GPCTR_Set_Application(deviceNumber, gpctrNum, ND_BUFFERED_EVENT_CNT)
GPCTR_Config_Buffer(deviceNumber, gpctrNum, 0, 100, buffer)
GPCTR_Control(deviceNumber, gpctrNum, ND_PROGRAM)
```

In Figure 2-24, the following behavior is present:

- Gate is the signal present at the counter gate input.
- Source is the signal present at the counter source input.
- Buffer is the contents of the buffer; you can retrieve data from the buffer when the counter becomes disarmed.

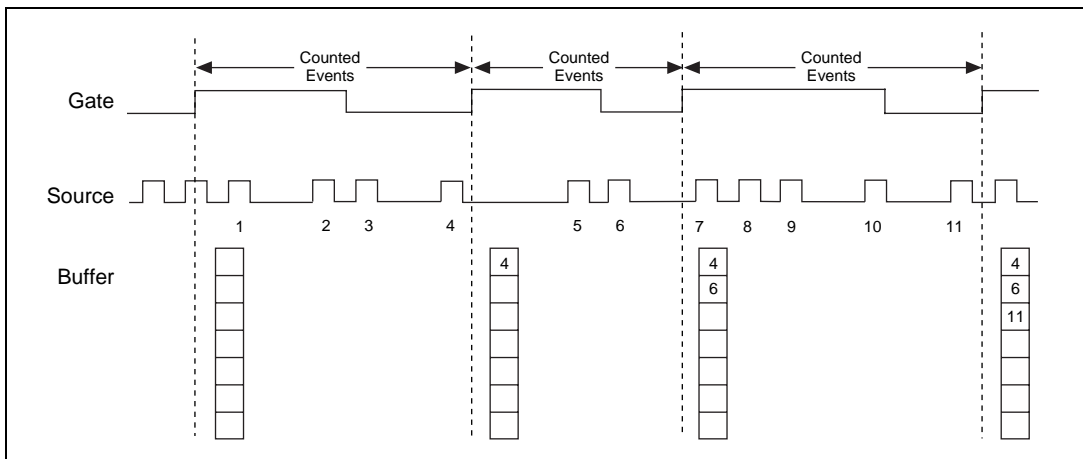


Figure 2-24. Buffered Event Counting

Use the GPCTR\_Watch function with **entityID** = ND\_ARMED to monitor the progress of the counting process. This measurement completes when **entityValue** becomes ND\_NO. You can do this as follows:

```
Create u32 variable counter_armed.
repeat
{
GPCTR_Watch(deviceNumber, gpctrNumber, ND_ARMED, counter_armed)
}
until (counter_armed = ND_NO)
```

When the counter is disarmed, you can safely access data in the buffer.

Typically, you will find modifying the following parameters through the GPCTR\_Change\_Parameter function useful when the counter **application** is ND\_BUFFERED\_EVENT\_CNT. You can change the following:

- ND\_SOURCE to any legal value listed in the GPCTR\_Change\_Parameter function description.
- ND\_SOURCE\_POLARITY to ND\_HIGH\_TO\_LOW.
- ND\_GATE to any legal value listed in the GPCTR\_Change\_Parameter function description.
- ND\_GATE\_POLARITY to ND\_NEGATIVE. Counts will be captured on every high-to-low transition of the signal present at the gate.



#### Note

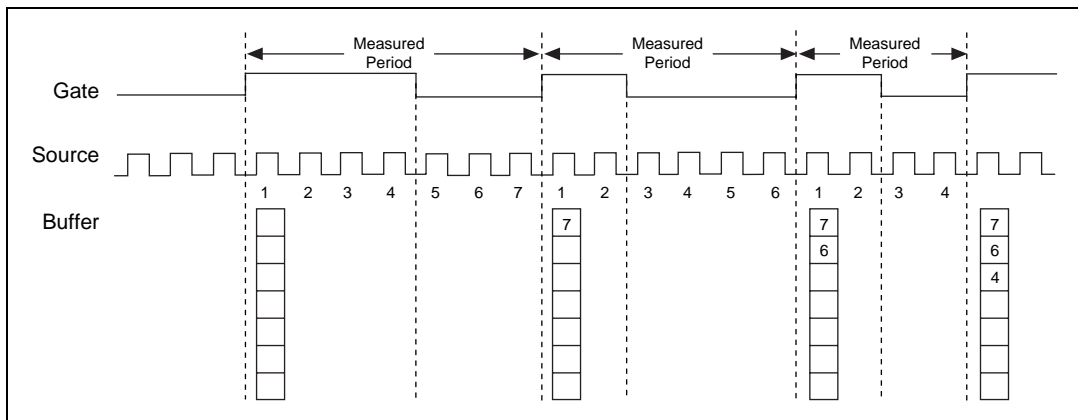
*The counter will start counting as soon as you arm it. However, it will not count if the gate signal stays in low state when ND\_GATE\_POLARITY is ND\_POSITIVE or if it stays in high state when ND\_GATE\_POLARITY is ND\_NEGATIVE while GPCTR\_Control is executed with action = ND\_ARM or action = ND\_PROGRAM. Be aware of this when you interpret the first count in your buffer.*

#### **application** = ND\_BUFFERED\_PERIOD\_MSR

In this application, the counter is used for continuous measurement of the time interval between successive transitions of the same polarity of the gate signal. By default, those are the low-to-high transitions of the signal listed in Table 2-25. The counter counts the 20 MHz internal timebase (ND\_INTERNAL\_20\_MHZ), so the resolution of measurement is 50 ns. The counter counts up starting from 0; its contents are placed in the buffer after an edge of appropriate polarity is detected on the gate; the counter then starts counting up from 0 again. NI-DAQ transfers data from the counter into the buffer until the buffer is filled; the counter is disarmed at that time.

The default 20 MHz timebase, combined with the counter width for E Series and 445X devices (24 bits), lets you measure the width of a pulse between 100 ns and 0.8 s long. For

6602 and 455X devices with counter width 32 bits, you can generate pulses with a delay and length between 100 ns and 214 s long.



**Figure 2-25.** Buffered Period Measurement

Typically, you will find modifying the following parameters through the `GPCTR_Change_Parameter` function useful when the counter **application** is `ND_BUFFERED_PERIOD_MSR`. You can change the following:

- `ND_SOURCE` to `ND_INTERNAL_100_KHZ`. With this timebase, you can measure intervals between 20  $\mu$ s and 160 s long. The resolution will be lower than if you are using `ND_INTERNAL_20_MHZ` timebase.
- `ND_SOURCE_POLARITY` to `ND_HIGH_TO_LOW`
- `ND_GATE` to any legal value listed in the `GPCTR_Change_Parameter` function description
- `ND_GATE_POLARITY` to `ND_NEGATIVE`. Measurements will be performed between successive high-to-low transitions of the signal present at the gate.

To provide your timebase, you can connect your timebase source to one of the PFI pins on the I/O connector and change `ND_SOURCE` and `ND_SOURCE_POLARITY` to the appropriate values.

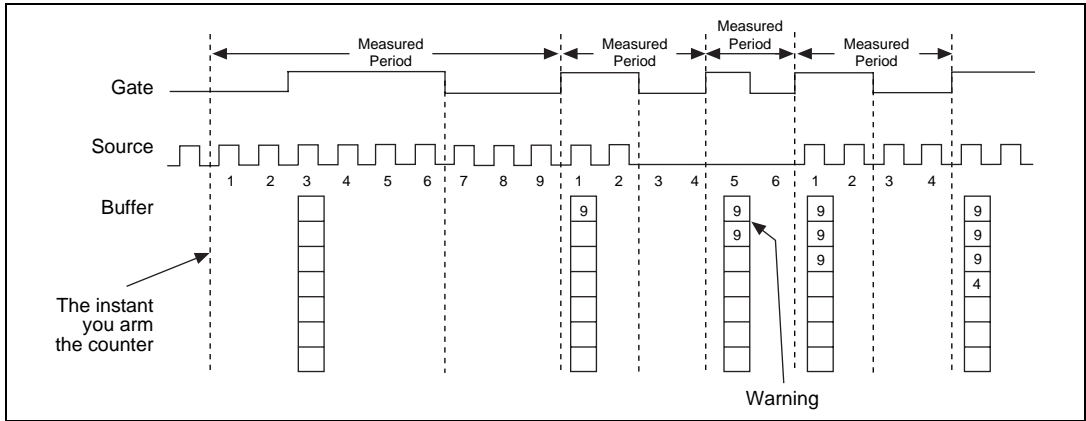
You also can configure the other general-purpose counter for `ND_PULSE_TRAIN_GNR`, and set `ND_SOURCE` of this counter to `ND_OTHER_GPCTR_TC` to measure intervals longer than 160 s.



**Note** *The counter will start counting as soon as you arm it. Be aware of this when you interpret the first count in your buffer.*



**Caution** *If gate edges arrive and no source edges are present between those gate edges, then the previously saved value is saved again as shown in Figure 2-25. Please make sure that this condition does not occur during your measurement.*



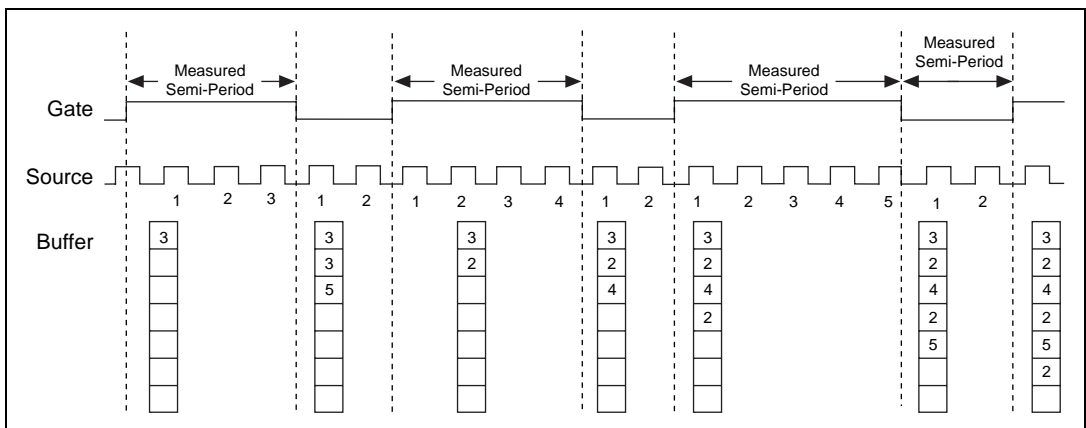
**Figure 2-26.** Buffered Period Measurement when No Source Edges Are Present between Gate Edges

**application** = ND\_BUFFERED\_SEMI\_PERIOD\_MSR

In this application, the counter is used for the continuous measurement of the time interval between successive transitions of the gate signal. By default, those are all transitions of the signal on the line given in Table 2-25. The counter counts the 20 MHz internal timebase (ND\_INTERNAL\_20\_MHZ), so the resolution of measurement is 50 ns. The counter counts up starting from 0; its contents are placed in the buffer after an edge is detected on the gate; the counter then starts counting up from 0 again. NI-DAQ transfers data from the counter into the buffer until the buffer is filled; the counter is disarmed at that time.



**Note** *The counter will start counting as soon as you arm it. Be aware of this when you interpret the first count in your buffer.*

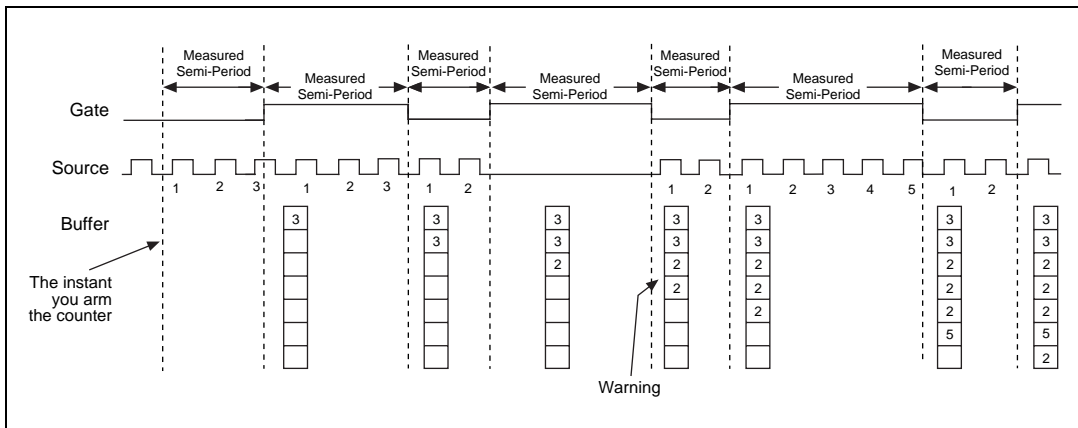


**Figure 2-27.** Buffered Semi-Period Measurement when No Source Edges Are Present between Gate Edges





**Caution** *If gate edges arrive and no source edges are present between those gate edges, then the previously saved value is saved again, as shown by Figure 2-28. Please make sure that this condition does not occur during your measurement.*

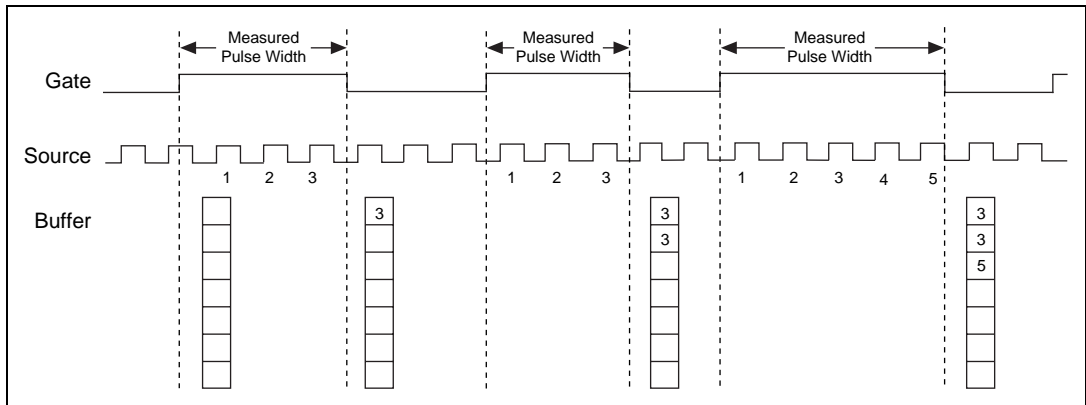


**Figure 2-28.** Buffered Semi-Period Measurement when No Source Edges Are Present between Gate Edges

**application** = ND\_BUFFERED\_PULSE\_WIDTH\_MSR

In this application, the counter is used for continuous measurement of width of pulses of selected polarity present at the counter gate. By default, those pulses are active high pulses present on the signal shown in Table 2-25. The counter counts the 20 MHz internal timebase (ND\_INTERNAL\_20\_MHZ), so the resolution of measurement is 50 ns. The counter counts up starting from 0; its contents are placed in the buffer after a pulse completes; the counter then starts counting up from 0 again when the next pulse appears. NI-DAQ transfers data from the counter into the buffer until the buffer is filled; the counter is disarmed at that time.

The default 20 MHz timebase for E Series and 445X devices, combined with the counter width (24 bits), lets you measure the width of a pulse between 100 ns and 0.8 s long. For the 6602 and 455X devices with counter width 32 bits, you can generate pulses with a delay and length between 100 ns and 214 s long.



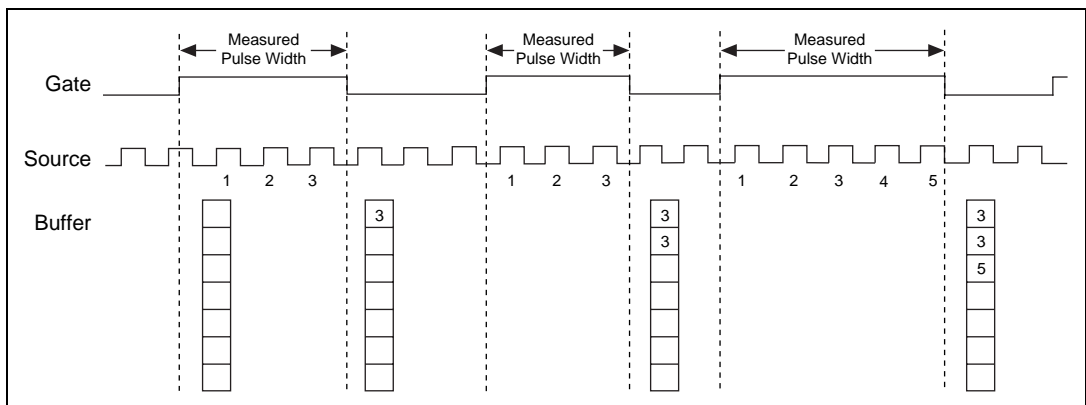
**Figure 2-29.** Buffered Pulse Width Measurement



**Note** *You must make sure that there is at least one source transition during the measured pulse and between consecutive measured pulses in order for this application to work properly.*



**Caution** *If the gate signal is high (when `ND_GATE_POLARITY` is `ND_POSITIVE`) during arriving of the counter, counting starts immediately, and the first count is saved on the first high-to-low transition. The same applies to low gate signal during arming of the counter when `ND_GATE_POLARITY` is set to `ND_POSITIVE`; in this case, the first count gets saved on the first low-to-high transition.*



**Figure 2-30.** Buffered Pulse Width when Gate Is High during Arming

**application** = ND\_BUFFERED\_TWO\_SIGNAL\_EDGE\_SEPARATION\_MSR



**Note** *This application is applicable only to 6602 and 455X devices.*

In this application, the counter is used for continuous measurement of the time interval between transitions of the gate and the second gate signal. Measurement starts when the gate signal is asserted and stops when the second gate signal is asserted. By default, the measurement is performed between low-to-high transitions of the gate and the second gate signals. The default values for gate and second gate signals for the eight counters are shown in Table 2-25 and Table 2-26. The counter counts the 20 MHz internal timebase (ND\_INTERNAL\_20\_MHZ), so the resolution of measurement is 50 ns. The counter counts up starting from 0 when it detects an edge on the gate; its contents are placed in the buffer after it encounters an edge on the second gate; the counter then starts counting up from 0 again when another edge occurs on the gate. For single buffer mode (set using GPCTR\_Change\_Parameter using **paramID** = ND\_BUFFER\_MODE and **paramValue** = ND\_SINGLE). NI-DAQ transfers data from the counter into the buffer until the buffer is filled. Data is continuously placed in the buffer in double-buffer mode (set using GPCTR\_Change\_Parameter using **paramID** = ND\_BUFFER\_MODE and **paramValue** = ND\_DOUBLE).

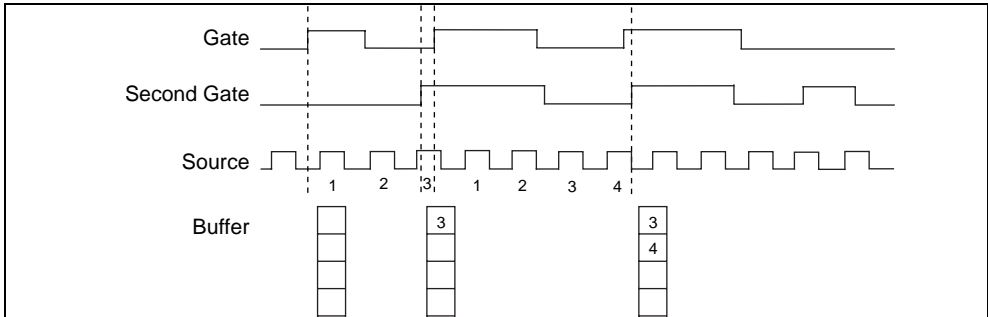
The default 20 MHz timebases, combined with the counter width (32 bits), lets you measure the duration of a pulse between 100 ns and 214 s long.

Figure 2-31 shows one possible use of a counter for ND\_BUFFERED\_TWO\_SIGNAL\_EDGE\_SEPARATION\_MSR after the following programming sequence:

```
GPCTR_Control (deviceNumber, gpctrNum, ND_RESET)
GPCTR_Set_Application (deviceNumber, gpctrNum,
ND_BUFFERED_TWO_SIGNAL_EDGE_SEPARATION_MSR)
GPCTR_Config_Buffer (deviceNumber, gpctrNum, 0, 100, buffer)
GPCTR_Control (deviceNumber, gpctrNum, ND_PROGRAM)
```

In Figure 2-31, the following behavior is present:

- Gate is the signal present at the counter gate input.
- Second Gate is the signal present at the counter second gate input.
- Source is the signal present at the counter source input.
- Buffer is the contents of the buffer; you can retrieve data from the buffer when the counter is disarmed or while it is running.



**Figure 2-31.** Buffered Two-Signal Edge Separation Measurement

Use the `GPCTR_Watch` function with **entityID** = `ND_ARMED` to monitor the progress of the counting process.

This measurement completes when **entityValue** becomes `ND_NO`. You can do this as follows:

```
Create U32 variable counter_armed.
Create U32 variable counter_value.
repeat
{
    GPCTR_Watch (deviceNumber, gpctrNumber, ND_ARMED,
                counter_armed)
}
until (counter_armed = ND_NO)
```

When the counter is disarmed you can safely access data in the buffer. Another approach to accessing the data in the buffer while the counter is running is to use the `GPCTR_Read_Buffer`.

Typically, modifying the following parameters through the `GPCTR_Change_Parameter` function is useful when the counter **application** is `ND_BUFFERED_TWO_SIGNAL_EDGE_SEPARATION_MSR`. You can change the following:

- `ND_SOURCE` to `ND_INTERNAL_100_KHZ`. With this timebase, you can measure intervals between 20  $\mu$ s and 11.37 hours long. The resolution will be lower than if you are using `ND_INTERNAL_20_MHZ`.
- `ND_SOURCE_POLARITY` to `ND_HIGH_TO_LOW`.
- `ND_GATE` to any legal value listed in the `GPCTR_Change_Parameter` function description.
- `ND_GATE_POLARITY` to `ND_NEGATIVE`. Measurement will be performed on the active low pulses.

- ND\_SECOND\_GATE to any legal value listed in the GPCTR\_Change\_Parameter function description.
- ND\_SECOND\_GATE\_POLARITY to ND\_NEGATIVE. Measurement will be performed on the active low pulses.
- ND\_BUFFER\_MODE to ND\_DOUBLE for circular buffer operations.

## GPCTR\_Watch

---

### Format

**status = GPCTR\_Watch (deviceNumber, gpctrNum, entityID, entityValue)**

### Purpose

Monitors state of the general-purpose counter and its operation.

### Parameters

#### Input

Name	Type	Description
<b>deviceNumber</b>	i16	assigned by configuration utility
<b>gpctrNum</b>	u32	number of the counter to use
<b>entityID</b>	u32	identification of the feature to monitor

#### Output

Name	Type	Description
<b>entityValue</b>	u32	the value of the feature specified by <b>entityID</b>

### Parameter Discussion

Legal ranges for the **gpctrNum**, **entityID**, and **entityValue** are in terms of constants defined in a header file. The header file you should use depends on which of the following languages you are using:

- C programmers—`NIDAQCNS.H` (`DATAACQ.H` for LabWindows/CVI)
- BASIC programmers—`NIDAQCNS.INC`. Visual Basic for Windows programmers should refer to the [Programming Language Considerations](#) section in Chapter 1, *Using the NI-DAQ Functions*, for more information.
- Pascal programmers—`NIDAQCNS.PAS`

**gpctrNum** indicates which counter to program. The legal values for this parameter shown in Table 2-20.

**entityID** indicates which feature you are interested in. Legal values are listed in the following paragraphs, along with the corresponding values you can expect for **entityValue**.

**entityValue** will be given either in terms of constants from the header file, or as numbers, as appropriate.

**entityID** = ND\_COUNT

This is the counter contents. **entityValue** can be between 0 and  $2^{24} - 1$  for E Series and 445X and between 0 and  $2^{32} - 1$  for 6602 and 455X devices.

**entityID** = ND\_COUNT\_AVAILABLE

If the application is ND\_TRIG\_PULSE\_WIDTH\_MSR, ND\_SINGLE\_PULSE\_WIDTH\_MSR, or ND\_SINGLE\_PERIOD\_MSR, this **entityID** allows you to see whether your measurement has completed.

Corresponding **entityValue** indicates the following: ND\_YES—the measurement has completed; ND\_NO—the measurement has not completed.

**entityID** = ND\_AVAILABLE\_POINTS

If the application is buffered event counting or time measurement, this **entityID** allows you to see how many points have been transferred to the buffer.

**entityID** = ND\_ARMED

Indicates whether the counter is armed. **entityValue** can be ND\_YES or ND\_NO. You can use this in applications such as ND\_SINGLE\_PULSE\_WIDTH\_MSR for finding out when the pulse width measurement completes.

**entityID** = ND\_TC\_REACHED

Indicates whether the counter has reached terminal count **entityValue** can be ND\_YES or ND\_NO. You can use this in applications such as ND\_SINGLE\_PULSE\_WIDTH\_MSR for detecting overflow (pulse was too long to be measured using the selected timebase).

**entityID** = ND\_DONE

When the application is ND\_SINGLE\_TRIG\_PULSE\_GNR, this indicates that the pulse has completed. **entityValue** can be ND\_YES or ND\_NO. When the application is ND\_RETRIG\_PULSE\_GNR, this indicates that an individual pulse has completed. In this case, the indication that an individual pulse has completed will be returned only once per pulse by the GPCTR\_Watch function.

**entityID** = ND\_OUTPUT\_STATE

You can use this to read the value of the counter output; the range is ND\_LOW and ND\_HIGH.

**entityID** = ND\_READ\_MARK (6602 and 455X devices only)

Indicates the read mark in the buffer when a double-buffer operation is in progress. **entityValue** can be between 0 and  $2^{32} - 1$ .

**entityID** = ND\_WRITE\_MARK (6602 and 455X devices only)

Indicates the location in the buffer (specified in GPCTR\_Config\_Buffer) in which the latest input data has been written. **entityValue** can be between 0 and  $2^{32} - 1$ .

**entityID** = ND\_INTERNAL\_MAX\_TIMEBASE (6602 and 455X devices only)

Indicates the maximum frequency of the timebase available for a counter. The **entityValue** is in Hertz.

**entityID** = ND\_MAX\_PRESCALE (6602 and 455X devices only)

Indicates the maximum value of the prescale factor that can be applied to the source selection of a 6602 or 455X device.



**Note** *C Programmers*—**entityValue** is a *pass-by-reference* parameter.



## ICTR\_Read

---

### Format

**status = ICTR\_Read (deviceNumber, ctr, count)**

### Purpose

Reads the current contents of the selected counter without disturbing the counting process and returns the count.

### Parameters

#### Input

Name	Type	Description
<b>deviceNumber</b>	i16	assigned by configuration utility
<b>ctr</b>	i16	counter number

#### Output

Name	Type	Description
<b>count</b>	u16	current count

### Parameter Discussion

**ctr** is the counter number.

Range: 0 through 2.

**count** returns the current count of the specified counter while the counter is counting down.

**count** can be between zero and 65,535 when **ctr** is configured in binary mode (the default).

**count** can be between zero and 9,999 if the last call to `ICTR_Setup` configured **ctr** in BCD counting mode.



**Note** *C Programmers—count is a pass-by-reference parameter.*

**Note**

***BASIC Programmers—NI-DAQ returns count as a 16-bit unsigned number. In BASIC, integer variables are represented by a 16-bit two's complement system. Thus, values greater than 32,767 are incorrectly treated as negative numbers. You can avoid this problem by using a long number as shown below:***

```
if count%, 0 then
    lcount& = count% + 65,536
else
    lcount& = count%
end if
```

## ICTR\_Reset

---

### Format

**status = ICTR\_Reset (deviceNumber, ctr, state)**

### Purpose

Sets the output of the selected counter to the specified state.

### Parameters

#### Input

Name	Type	Description
<b>deviceNumber</b>	i16	assigned by configuration utility
<b>ctr</b>	i16	counter number
state	i16	logic state to be reset

### Parameter Discussion

**ctr** is the counter number.

Range: 0 through 2.

**state** is the logic state to which the counter is to be reset.

Range: 0 or 1.

If **state** is 0, the common output is forced low by programming the specified counter in mode 0. NI-DAQ does *not* load the count register; thus, the output remains low until NI-DAQ programs the counter in another mode. If **state** is 1, NI-DAQ forces the counter output high by programming the given counter in mode 2. NI-DAQ does not load the count register; thus, the output remains high until NI-DAQ programs the counter in another mode.

## ICTR\_Setup

---

### Format

**status = ICTR\_Setup (deviceNumber, ctr, mode, count, binBcd)**

### Purpose

Configures the given counter to operate in the specified mode.

### Parameters

#### Input

Name	Type	Description
<b>deviceNumber</b>	i16	assigned by configuration utility
<b>ctr</b>	i16	counter number
<b>mode</b>	i16	mode in which the counter is to operate
<b>count</b>	u16	period from one output pulse to the next
<b>binBcd</b>	i16	16-bit binary or 4-decade binary-coded decimal

### Parameter Discussion

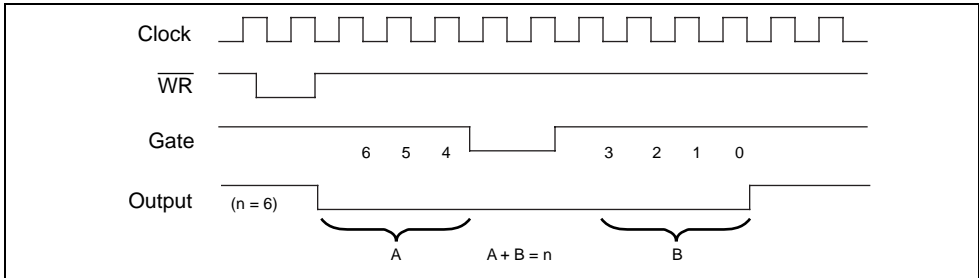
**ctr** is the counter number.

Range: 0 through 2.

**mode** is the mode in which the counter is to operate.

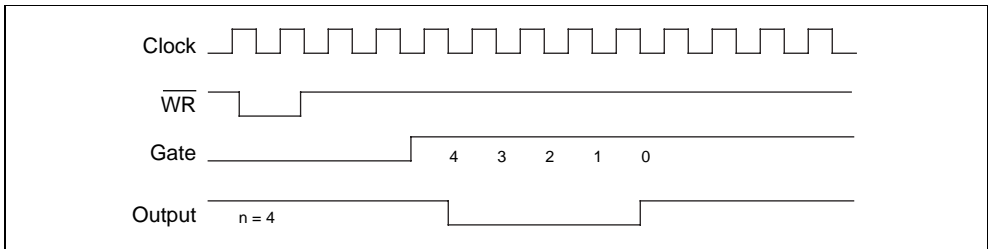
- 0: Toggle output from low to high on terminal count.
- 1: Programmable one-shot.
- 2: Rate generator.
- 3: Square wave rate generator.
- 4: Software-triggered strobe.
- 5: Hardware-triggered strobe.

In mode 0, the output goes low after the mode set operation, and the counter begins to count down while the gate input is high. The output goes high when NI-DAQ reaches the terminal count (that is, the counter has decremented to zero) and stays high until you set the selected counter to a different mode. Figure 2-32 shows the mode 0 timing diagram.



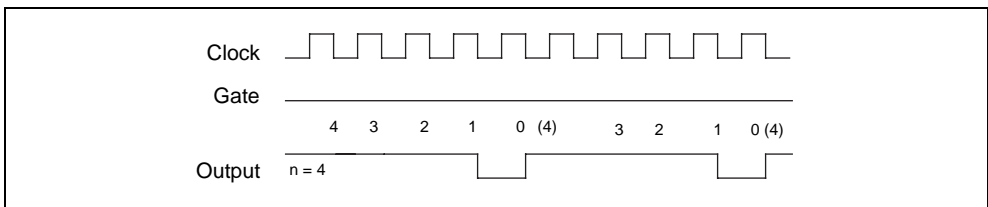
**Figure 2-32.** Mode 0 Timing Diagram

In mode 1, the output goes low on the count following the rising edge of the gate input and goes high on terminal count. The value of the counter before the rising edge of the gate input is undefined, Figure 2-33 shows the mode 1 timing diagram.



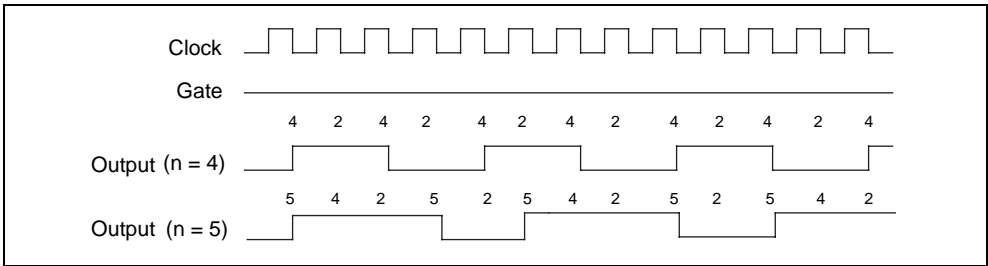
**Figure 2-33.** Mode 1 Timing Diagram

In mode 2, the output goes low for one period of the clock input. **count** indicates the period from one output pulse to the next. Figure 2-34 shows the mode 2 timing diagram.



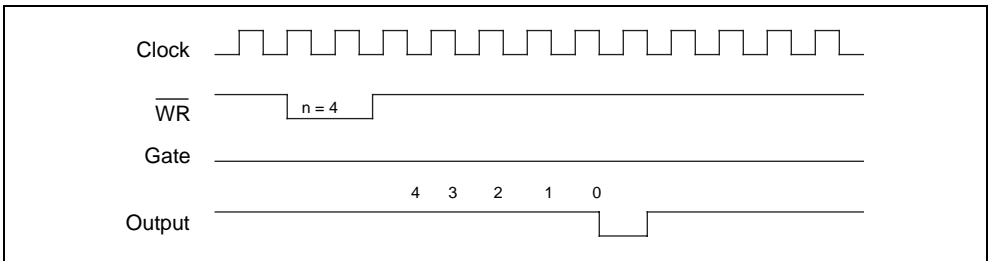
**Figure 2-34.** Mode 2 Timing Diagram

In mode 3, the output stays high for one half of the **count** clock pulses and stays low for the other half. Figure 2-35 shows the mode 3 timing diagram.



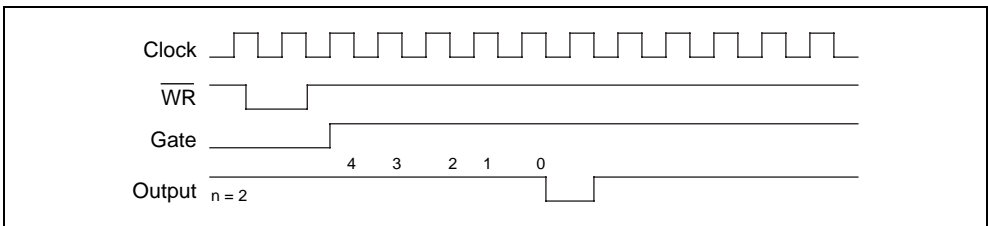
**Figure 2-35.** Mode 3 Timing Diagram

In mode 4, the output is initially high, and the counter begins to count down while the gate input is high. On terminal count, the output goes low for one clock pulse, then goes high again. Figure 2-36 shows the mode 4 timing diagram.



**Figure 2-36.** Mode 4 Timing Diagram

Mode 5 is similar to mode 4 except that the gate input is used as a trigger to reset the counter. The value of the counter before the rising edge of the gate is undefined. Figure 2-37 shows the mode 5 timing diagram.



**Figure 2-37.** Mode 5 Timing Diagram

See the 8253 Programmable Interval Timer data sheet in your DAQCard-500/700 or Lab and 1200 Series user manual for a detailed description of these modes and the associated timing diagrams.

**count** is the period from one output pulse to the next.

Range for modes 0, 1, 4 and 5:

0 through 65,535 in binary counter operation.

0 through 9,999 in BCD counter operation.

Range for modes 2 and 3:

2 through 65,535 and 0 in binary counter operation.

2 through 9,999 and 0 in BCD counter operation.



**Note** *Zero is equivalent to 65,536 in binary counter operation and 10,000 in BCD counter operation.*



**Note** *BASIC Programmers—NI-DAQ passes count as a 16-bit unsigned number. In BASIC, integer variables are represented by a 16-bit two's complement system. Thus, count values greater than 32,767 must be passed as negative numbers. One way to obtain the count value to be passed is to assign the required number between zero and 65,535 to a long variable and then obtain count as shown below:*

```
count% = lcount& - 65,536
```

**binBcd** controls whether the counter operates as a 16-bit binary counter or as a 4-decade binary-coded decimal (BCD) counter.

0: 4-decade BCD counter.

1: 16-bit binary counter.

## Init\_DA\_Brds

---

### Format

**status = Init\_DA\_Brds (deviceNumber, deviceNumberCode)**

### Purpose

Initializes the hardware and software states of a National Instruments DAQ device to its default state, and then returns a numeric device code that corresponds to the type of device initialized. Any operation that the device is performing is halted. This function is called automatically and does not have to be explicitly called by your application. This function is useful for reinitializing the device hardware, for reinitializing the NI-DAQ software, and for determining which device has been assigned to a particular slot number. `Init_DA_Brds` will clear all configured messages for the device just as if you called `Config_DAQ_Event_Message` with a mode of 0.

### Parameters

#### Input

Name	Type	Description
<b>deviceNumber</b>	i16	assigned by configuration utility

#### Output

Name	Type	Description
<b>deviceNumberCode</b>	i16	type of device

### Parameter Discussion

**deviceNumberCode** indicates the type of device initialized.

- 1: Not a National Instruments DAQ device.
- 0: AT-MIO-16L-9.
- 1: AT-MIO-16L-15.
- 2: AT-MIO-16L-25.
- 4: AT-MIO-16H-9.
- 5: AT-MIO-16H-15.
- 6: AT-MIO-16H-25.
- 7: PC-DIO-24.
- 8: AT-DIO-32F.
- 11: AT-MIO-16F-5.
- 12: PC-DIO-96.
- 13: PC-LPM-16.



- 14: PC-TIO-10.
- 15: AT-AO-6.
- 19: AT-MIO-16X.
- 20: AT-MIO-64F-5.
- 21: AT-MIO-16DL-9.
- 22: AT-MIO-16DL-25.
- 23: AT-MIO-16DH-9.
- 24: AT-MIO-16DH-25.
- 25: AT-MIO-16E-2.
- 26: AT-AO-10.
- 27: AT-A2150C.
- 28: Lab-PC+.
- 30: SCXI-1200.
- 31: DAQCard-700.
- 32: NEC-MIO-16E-4.
- 33: DAQPad-1200.
- 35: DAQCard-DIO-24.
- 36: AT-MIO-16E-10.
- 37: AT-MIO-16DE-10.
- 38: AT-MIO-64E-3.
- 39: AT-MIO-16XE-50.
- 40: NEC-AI-16E-4.
- 41: NEC-MIO-16XE-50.
- 42: NEC-AI-16XE-50.
- 43: DAQPad-MIO-16XE-50.
- 44: AT-MIO-16E-1.
- 45: PC-OPDIO-16.
- 46: PC-AO-2DC.
- 47: DAQCard-AO-2DC.
- 48: DAQCard-1200.
- 49: DAQCard-500.
- 50: AT-MIO-16XE-10.
- 51: AT-AI-16XE-10.
- 52: DAQCard-AI-16XE-50.
- 53: DAQCard-AI-16E-4.
- 54: DAQCard-516.
- 55: PC-516.
- 56: PC-LPM-16PnP.
- 57: Lab-PC-1200.
- 58: Lab-PC-1200AI.
- 59: VXI-MIO-64E-1.
- 60: VXI-MIO-64XE-10.
- 61: VXI-AO-48XDC.
- 62: VXI-DIO-128.

65:	PC-DIO-24PnP.
66:	PC-DIO-96PnP.
67:	AT-DIO-32HS.
68:	PXI-6533.
69:	DAQArb AT-5411.
75:	DAQPad-6507/6508.
76:	DAQPad-6020E.
200:	PCI-DIO-96.
201:	PCI-1200.
202:	PCI-MIO-16XE-50.
204:	PCI-MIO-16XE-10.
205:	PCI-MIO-16E-1.
206:	PCI-MIO-16E-4.
207:	PXI-6070E.
208:	PXI-6040E.
209:	PXI-6030E.
210:	PXI-6011E.
211:	PCI-DIO-32HS.
212:	DAQArb PCI-5411.
215:	DAQCard-6533.
220:	PCI-6031E (MIO-64XE-10).
221:	PCI-6032E (AI-16XE-10).
222:	PCI-6033E (AI-64XE-10).
223:	PCI-6071E (MIO-64E-1).
232:	PCI-6602.
233:	PCI-4451.
234:	PCI-4452.
235:	PCI-4551.
236:	PCI-4552.
240:	PXI-6508.
241:	PCI-6110E.
244:	PCI-6111E.



**Note** *C Programmers*—`deviceNumberCode` is a pass-by-reference parameter.



**Note** *(AT-MIO-16X only)* Calibration of the AT-MIO-16X takes up to 2 s. Therefore, `Init_DA_Brds()`, which calls `MIO_Calibrate()`, can take up to 2 s to execute.

## Using This Function

`Init_DA_Brds` initializes the device in the specified slot to the default conditions. These conditions are summarized for each device as follows:

- MIO and AI devices
  - Analog Input defaults:
    - number of channels = 2.
    - Mode = Differential.
    - Range = 20 V (10 V for AT-MIO-16F-5, AT-MIO-64F-5, and 12-bit E Series).
    - Polarity = Bipolar (–10 V to +10 V for MIO-16, AT-MIO-16D, AT-MIO-16X, PCI-6110E, PCI-6111E, and 16-bit E Series devices; and –5 to +5 V for all other devices).
    - External conversion = Disabled.
    - Start trigger = Disabled.
    - Stop trigger = Disabled.
    - Coupling = DC coupling.
    - Gain and offset calibration values are loaded (AT-MIO-16F-5 only).
  - Analog Output defaults (MIO devices only):
    - Range = 20 V.
    - Reference = 10 V.
    - Mode = Bipolar (–10 to +10 V).
    - Level = 0 V.
  - Digital Input and Output defaults:
    - Direction = Input.
    - For ports 2, 3, and 4 of the AT-MIO-16D and AT-MIO-16DE-10, see also the default conditions of ports 0, 1, and 2 of the DIO-24.
  - Counter/Timer defaults for Am9513-based MIO devices:
    - Gating mode = No gating.
    - Output type = Terminal count toggled (that is, TC toggled).
    - Output polarity = Positive.
    - Edge mode = Count rising edges.
    - Count mode = Count once.
    - Output level = Off. After you call `Init_DA_Brds`, the output of each counter is in a high-impedance state. Counter 1 on the MIO-16 and AT-MIO-16D, and counters 1, 2, and 5 on the AT-MIO-16F-5, AT-MIO-64F-5, and AT-MIO-16X are pulled up to +5 V while in the high-impedance state.

- DIO-24/DIO-32F/DIO 6533 (DIO-32HS)/DIO-96
  - Digital Input and Output defaults:
    - Direction = Input.
    - Handshaking = Disabled.
    - Group assignments = No ports assigned to any group.
- PC-TIO-10
  - Analog Digital Input and Output defaults:
    - Mode = Differential.
    - Direction = Input.
  - Counter/Timer defaults:
    - Gating mode = No gating.
    - Output type = Terminal count toggled.
    - Output polarity = Positive.
    - Edge mode = Count rising edges.
    - Count mode = Count once.
    - Output level = Off.
- VXI-DIO-128
  - Digital Input and Output defaults:
    - Direction = Input (ports 0 through 7).
    - Direction = Output (ports 8 through 15).
    - Input ports logic threshold: 1500 mV.
- VXI-AO-48XDC
  - Analog Output defaults:
    - Mode = Bipolar (–10 to 10 V).
  - Digital Input and Output defaults:
    - Direction = Input.
    - Range = 20 V.
    - Reference = 10 V.
- Lab and 1200 Series devices
  - Analog Input defaults:
    - Input mode = Single-ended (eight single-ended input channels).
    - Polarity = Bipolar (–5 to +5 V).
    - External conversion = Disabled.

- Start trigger = Disabled.
- External conversion = Stop trigger = Disabled.
- Analog Output defaults:
  - Mode = Bipolar (–5 to +5 V).
  - Range = 20 Level = 0 V.
- Digital Input and Output defaults:
  - Direction = Input.
  - Handshaking = Disabled.
  - Group assignments = No ports assigned to any group.
- Counter/Timer defaults:
  - Output level = Logical low.
- 516 and LPM devices and DAQCard-500/700
  - Analog Input default:
    - Mode = Single-ended (Differential also possible for 516 devices and DAQCard-700).
    - Reference = Range = 10 V.
    - Polarity = Bipolar (–5 to +5 5 V).
    - Stop trigger = External conversion = Disabled.
    - Mode = Differential.
    - Calibrated.
  - Digital Input and Output defaults:
    - Output port voltage level = 0 V.
  - Counter/Timer defaults:
    - Output level = Logical low.
- AT-AO-6/10
  - Analog Output defaults:
    - Range = 20 V.
    - Reference = 10 V.
    - Mode = Bipolar (–10 to +10 V).
    - Level = 0 V.
    - Group assignments = No channels assigned to any group.
    - Digital input and output defaults direction = Input.
    - Translate and demux = Disabled.

- AO-2DC devices
  - Analog Output defaults:
    - Mode = Unipolar (0 to 10 V).
    - Level = 0 V.
  - Digital Input and Output defaults:
    - Direction = Input.
- DAQArb 5411 devices
  - Defaults
    - Analog filter = On.
    - Digital filter = On.
    - Frequency correction for analog filter = Disabled.
    - Output attenuation = 0 decibels.
    - Output enable = Off.
    - Output impedance = 50  $\Omega$ .
    - PLL reference frequency = 20 MHz.
    - PLL reference source = Internal.
    - RTSI clock source = Disabled.
    - SYNC duty cycle = 50%.
    - Timebase = 40 MHz.
    - Trigger mode = Continuous.
    - Trigger source = Automatic (the software provides the triggers).
    - Update clock source = Internal.
- DSA devices
  - Analog Input defaults
    - Gain = 0 dB.
    - Coupling = AC coupling.
    - Start Trigger = Automatic.
    - Stop Trigger = Disabled.
  - Analog Output defaults
    - Attenuation = 0 dB
    - Output Enable = Off.
  - Digital Input and Output defaults
    - Direction = Input.

Of all these defaults, you can alter only the analog input and analog output settings of the non-E Series MIO and AI devices, Lab-PC+, and PC-LPM-16 devices by setting jumpers on the device. If you have changed the jumpers from the factory settings, you must call either `AI_Configure` and/or `AO_Configure` after `Init_DA_Brds` so that the software copies of these settings reflect the true settings of the device.

If any device resources have been reserved for SCXI use when you make a call to `Init_DA_Brds`, those resources will still be reserved after you make the function call. Refer to Chapter 12, *SCXI Hardware*, in the *DAQ Hardware Overview Guide* for listings of the different device resources that can be reserved for SCXI.

## Lab\_ISCAN\_Check

---

### Format

**status = Lab\_ISCAN\_Check (deviceNumber, daqStopped, retrieved, finalScanOrder)**

### Purpose

Checks whether the current multiple-channel scanned data acquisition begun by the Lab\_ISCAN\_Start function is complete and returns the status, the number of samples acquired to that point, and the scanning order of the channels in the data array (DAQCard-500/700 and 516, Lab and 1200 Series, and LPM devices only).

### Parameters

#### Input

Name	Type	Description
<b>deviceNumber</b>	i16	assigned by configuration utility

#### Output

Name	Type	Description
<b>daqStopped</b>	i16	indicates whether the data acquisition has completed
<b>retrieved</b>	u32	number of samples collected by the acquisition
<b>finalScanOrder</b>	[i16]	the scan channel order

### Parameter Discussion

**daqStopped** returns an indication of whether the data acquisition has completed.

- 1: The data acquisition operation has stopped. Either NI-DAQ has acquired all the samples or an error has occurred.
- 0: The data acquisition operation is not yet complete.

**retrieved** indicates the progress of an acquisition. The meaning of **retrieved** depends on whether you have enabled pretrigger mode (see DAQ\_StopTrigger\_Config).

If pretrigger mode is disabled, **retrieved** returns the number of samples collected by the acquisition at the time of the call to Lab\_ISCAN\_Check. The value of **retrieved** increases until it equals the total number of samples to be acquired, at which time the acquisition terminates.



However, if pretrigger mode is enabled, **retrieved** returns the offset of the position in your buffer where NI-DAQ places the next data point when the function acquires. After the value of **retrieved** reaches **count** - 1 and rolls over to 0, the acquisition begins to overwrite old data with new data. When you apply a signal to the stop trigger input, the acquisition collects an additional number of samples specified by **ptsAfterStoptrig** in the call to `DAQ_StopTrigger_Config` and then terminates. When `Lab_ISCAN_Check` returns a status of 1, **retrieved** contains the offset of the oldest data point in the array (assuming that the acquisition has written to the entire buffer at least once). In pretrigger mode, `Lab_ISCAN_Check` automatically rearranges the array upon completion of the acquisition so that the oldest data point is at the beginning of the array. Thus, **retrieved** always equals 0 upon completion of a pretrigger mode acquisition. Because the stop trigger can occur in the middle of a scan sequence, the acquisition can end in the middle of a scan sequence. So, when the function rearranges the data in the buffer, the first sample might not belong to the first channel in the scan sequence. You can examine the **finalScanOrder** array to find out the way the data is arranged in the buffer.

**finalScanOrder** is an array that indicates the scan channel order of the data in the buffer passed to `Lab_ISCAN_Start`. The size of **finalScanOrder** must be at least equal to the number of channels scanned. This parameter is valid only when NI-DAQ returns **daqStopped** as 1 and is useful only when you enable pretrigger mode (Lab and 1200 Series devices only).

If you do not use pretrigger mode, the values contained in **finalScanOrder** are, in single-ended mode,  $n-1, n-2, \dots, 1, 0$  to 0, in that order, and in differential mode,  $2*(n-1), 2*(n-2), \dots, 2, 0$ , in that order, where  $n$  is the number of channels scanned. For example, if you scanned three channels in single-ended mode, the **finalScanOrder** returns:

```
finalScanOrder[0] = 2.  
finalScanOrder[1] = 1.  
finalScanOrder[2] = 0.
```

So the first sample in the buffer belongs to channel 2, the second sample belongs to channel 1, the third sample belong to channel 0, the fourth sample belongs to channel 2, and so on. This is the scan order expected from the Lab-PC+ and **finalScanOrder** is not useful in this case.

If you use pretrigger mode, the order of the channel numbers in **finalScanOrder** depends on where in the scan sequence the acquisition ended. This can vary because the stop trigger can occur in the middle of a scan sequence, which would cause the acquisition to

end in the middle of a scan sequence so that the oldest data point in the buffer can belong to any channel in the scan sequence. `Lab_ISCAN_Check` rearranges the buffer so that the oldest data point is at index 0 in the buffer. This rearrangement causes the scanning order to change. This new scanning order is returned by **finalScanOrder**. For example, if you scanned three channels, the original scan order is channel 2, channel 1, channel 0, channel 2, channel 1, channel 0, and so on. However, after the stop trigger, if the acquisition ends after taking a

sample from channel 1, the oldest data point belongs to channel 0. So **finalScanOrder** returns:

**finalScanOrder**[0] = 0.

**finalScanOrder**[1] = 2.

**finalScanOrder**[2] = 1.

So the first sample in the buffer belongs to channel 0, the second sample belongs to channel 2, the third sample belongs to channel 1, the fourth sample belongs to channel 0, and so on.



**Note** *C Programmers*—**daqStopped** and **retrieved** are *pass-by-reference* parameters.

## Using This Function

Lab\_ISCAN\_Check checks the current background data acquisition operation to determine whether it has completed and returns the number of samples acquired at the time that you called Lab\_ISCAN\_Check. If the operation is complete, Lab\_ISCAN\_Check sets **daqStopped** = 1. Otherwise, **daqStopped** is set to 0. Before Lab\_ISCAN\_Check returns **daqStopped** = 1, it calls DAQ\_Clear, allowing another Start call to execute immediately.

If Lab\_ISCAN\_Check returns an **overflowError** or an **overRunError**, NI-DAQ has terminated the data acquisition operation because of lost A/D conversions due to a sample rate that is too high (sample interval was too small). An **overflowError** indicates that the A/D FIFO memory overflowed because the data acquisition servicing operation was not able to keep up with sample rate. An **overRunError** indicates that the data acquisition circuitry was not able to keep up with the sample rate. Before returning either of these error codes, Lab\_ISCAN\_Check calls DAQ\_Clear to terminate the operation and reinitialize the data acquisition circuitry.

## Lab\_ISCAN\_Op

---

### Format

**status = Lab\_ISCAN\_Op (deviceNumber, numChans, gain, buffer, count, sampleRate, scanRate, finalScanOrder)**

### Purpose

Performs a synchronous, multiple-channel scanned data acquisition operation.

Lab\_ISCAN\_Op does not return until NI-DAQ has acquired all the data or an acquisition error has occurred (DAQCard-500/700 and 516, Lab and 1200 Series, and LPM devices only).

### Parameters

#### Input

Name	Type	Description
<b>deviceNumber</b>	i16	assigned by configuration utility
<b>numChans</b>	i16	number of channels to be scanned
<b>gain</b>	i16	gain setting
<b>count</b>	u32	number of samples to be acquired
<b>sampleRate</b>	f64	desired sample rate in units of pts/s
<b>scanRate</b>	f64	desired scan rate in units of scans/s

#### Output

Name	Type	Description
<b>buffer</b>	[i16]	contains the acquired data
<b>finalScanOrder</b>	[i16]	the scan channel order of the data

### Parameter Discussion

**numChans** is the number of channels to be scanned in a single scans sequence. The value of this parameter also determines which channels NI-DAQ scans because these devices have a fixed scanning order. The scanned channels range from **numChans** – 1 to channel 0. If you are using SCXI modules with additional multiplexers, you must scan the analog input channels on the DAQ device that corresponds to the SCXI channels you want. You should select the SCXI scan list using `SCXI_SCAN_Setup` before you call this function. Refer to the *NI-DAQ User Manual for PC Compatibles* for more information on SCXI channel assignments.

Range: 1 through 4 for the 516 and Lab and 1200 Series devices in differential mode.  
 1 through 8 for DAQCard-500 (single-ended mode only).  
 1 through 8 for DAQCard-700 in differential mode.  
 1 through 8 for the Lab and 1200 Series devices in single-ended mode.  
 1 through 16 for LPM devices or DAQCard-700 in single-ended mode.

**gain** is the gain setting to be used for the scanning operation. The same gain is applied to all the channels scanned. This gain setting applies only to the DAQ device; if you use SCXI modules with additional gain selection, you must establish any gain you want at the SCXI module either by setting jumpers on the module or by calling `SCXI_Set_Gain`. The following gain settings are valid for the Lab and 1200 Series devices—1, 2, 5, 10, 20, 50, and 100. If you use an invalid gain, NI-DAQ returns an error. NI-DAQ ignores gain for the DAQCard-500/700 and 516 and LPM devices.

**buffer** is an integer array. **buffer** must have a length not less than **count**. When `Lab_ISCAN_Op` returns with an error code of zero, **buffer** contains the acquired data.

**count** is the number of samples to be acquired (that is, the number of A/D conversions to be performed).

Range: 3 through  $2^{32} - 1$  (except Lab and 1200 Series devices, which are limited to 65,535).

**sampleRate** is the sample rate you want in units of pts/s.

Range: Roughly 0.00153 pts/s through 62,500 pts/s (Lab and 1200 Series devices).  
 Roughly 0.00153 pts/s through 50,000 pts/s (DAQCard-500/700 and 516 and LPM devices).



**Note** *If you are using an SCXI-1200 with remote SCXI, the maximum rate will depend on the baud rate setting and count. Refer to the SCXI-1200 User Manual for more details.*

**scanRate** is the scan rate you want in units of scans/s. This is the rate at which NI-DAQ performs scans. NI-DAQ performs a scan each time NI-DAQ samples all channels in the scan sequence. **ScanRate** must be slightly less than **sampleRate/numChans** due to a 5  $\mu$ s delay interval to the driver. `Lab_ISCAN` interval scanning is available on the Lab and 1200 Series devices only.

Range: 0 and roughly 0.00153 scans/s through 62,500 scans/s.



**Note** *If you are using an SCXI-1200 with remote SCXI, the maximum rate will depend on the baud rate setting and count. Refer to the SCXI-1200 User Manual for more details.*

A value of 0 disables interval scanning.

**finalScanOrder** is an array that indicates the scan channel order of the data in the buffer passed to Lab\_ISCAN\_Op. The size of **finalScanOrder** must be at least equal to the number of channels scanned. This parameter is valid only when the error is returned to zero and is useful only when pretrigger mode is enabled (Lab and 1200 Series devices only).

If you do not use pretrigger mode, the values contained in **finalScanOrder** are, in single-ended mode,  $n-1$ ,  $n-2$ , ..., 1, 0, in that order, and in differential mode, 2 ( $n-1$ ), 2 ( $n-2$ ), ..., 1, 0, in that order, where  $n$  is the number of channels scanned. For example, if you scanned three channels in single-ended mode, the **finalScanOrder** returns:

**finalScanOrder**[0] = 2.

**finalScanOrder**[1] = 1.

**finalScanOrder**[2] = 0.

So the first sample in the buffer belongs to channel 2, the second sample belongs to channel 1, the third sample belongs to channel 0, the fourth sample belongs to channel 2, and so on. This is exactly the scan order you would expect from the Lab and 1200 Series devices and **finalScanOrder** is not useful in this case.

If you use pretrigger mode, the order of the channel numbers in **finalScanOrder** depends on where in the scan sequence the acquisition ended. This can vary because the stop trigger can occur in the middle of a scan sequence, which causes the acquisition to end in the middle of a scan sequence so that the oldest data point in the buffer can belong to any channel in the scan sequence. Lab\_ISCAN\_Op rearranges the buffer so that the oldest data point is at index 0 in the buffer. This rearrangement causes the scanning order to change. This new scanning order is returned by **finalScanOrder**. For example, if you scanned three channels, the original scan order is channel 2, channel 1, channel 0, channel 2, and so on. However, after the stop trigger, if the acquisition ends after taking a sample from channel 1, the oldest data point belongs to channel 0.

So **finalScanOrder** returns:

**finalScanOrder**[0] = 0.

**finalScanOrder**[1] = 2.

**finalScanOrder**[2] = 1.

Therefore the first sample in the buffer belongs to channel 0, the second sample belongs to channel 2, the third sample belongs to channel 1, the fourth sample belongs to channel 0, and so on.

## Using This Function

Lab\_ISCAN\_Op initiates a synchronous process of acquiring A/D conversion samples and storing them in a buffer. Lab\_ISCAN\_Op does not return control to your application until NI-DAQ acquires all the samples you want (or until an acquisition error occurs). When you use posttrigger mode, the process stores **count** A/D conversions in the buffer and ignores any subsequent conversions.

**Note**

***If you have selected external start triggering of the data acquisition operation, a low-to-high edge at the EXTTRIG of the Lab and 1200 Series device I/O connector input initiates the operation. Be aware that if you do not apply the start trigger, Lab\_ISCAN\_Op does not return control to your application. Otherwise, Lab\_ISCAN\_Op issues a software trigger to initiate the data acquisition operation.***

If you have enabled pretrigger mode, the sample counter does not begin counting acquisitions until you apply a signal at the stop trigger input. Until you apply this signal, the acquisition remains in a cyclical mode, continually overwriting old data in the buffer with new data. Again, if the stop trigger is not applied, Lab\_ISCAN\_Op does not return control to your application.

In any case, you can use Timeout\_Config to establish a maximum length of time for Lab\_ISCAN\_Op to execute.

## Lab\_ISCAN\_Start

---

### Format

**status = Lab\_ISCAN\_Start (deviceNumber, numChans, gain, buffer, count, sampTimebase, sampInterval, scanInterval)**

### Purpose

Initiates a multiple-channel scanned data acquisition operation and stores its input in an array (DAQCard-500/700 and 516, Lab and 1200 Series, and LPM devices only).

### Parameters

#### Input

Name	Type	Description
<b>deviceNumber</b>	i16	assigned by configuration utility
<b>numChans</b>	i16	number of channels to be scanned
<b>gain</b>	i16	gain setting
<b>count</b>	u32	total number of samples to be acquired
<b>sampTimebase</b>	i16	timebase, or resolution, used for the sample-interval counter
<b>sampInterval</b>	u16	length of the sample interval
<b>scanInterval</b>	u16	length of the scan interval

#### Output

Name	Type	Description
<b>buffer</b>	[i16]	results of the scanned data acquisition

### Parameter Discussion

**numChans** is the number of channels to be scanned in a single scan sequence. The value of this parameter also determines which channels NI-DAQ scans because these supported devices have a fixed scanning order. The scanned channels range from **numChans** – 1 to channel 0. If you are using SCXI modules with additional multiplexers, you must scan the appropriate analog input channels on the DAQ device that corresponds to the SCXI channels you want. You should select the SCXI scan list using `SCXI_SCAN_Setup` before you call this function. Refer to Chapter 12, *SCXI Hardware*, in the *DAQ Hardware Overview Guide* and

the *NI-DAQ User Manual for PC Compatibles* for more information on SCXI channel assignments.

Range: 1 through 4 for the 516 and Lab and 1200 Series devices in differential mode.  
 1 through 8 for the DAQCard-500 (single-ended mode only).  
 1 through 8 for the DAQCard-700 in differential mode.  
 1 through 8 for the 516 and Lab and 1200 Series devices in single-ended mode.  
 1 through 16 for the DAQCard-700 and LPM devices in single-ended mode.

**gain** is the gain setting to be used for the scanning operation. NI-DAQ applies the same gain to all the channels scanned. This gain setting applies only to the DAQ device; if you are using SCXI modules with additional gain selection, you must establish any gain you want at the SCXI module either by setting jumpers on the module or by calling `SCXI_Set_Gain`. The following gain settings are valid for the Lab and 1200 Series devices: 1, 2, 5, 10, 20, 50, 100. If you use an invalid gain setting, NI-DAQ returns an error. NI-DAQ ignores **gain** for the DAQCard-500/700 and 516 and LPM devices.

**buffer** is an integer array. **buffer** must have a length equal to or greater than **count**.

**count** is the total number of samples to be acquired (that is, the number of A/D conversions to be performed). For double-buffered acquisitions, **count** must be even and should be equal to the buffer size.

Range: 3 through  $2^{32} - 1$  (except the Lab and 1200 Series devices, which are limited to 65,535 unless enabled for double-buffered mode).

**sampTimebase** is the timebase, or resolution, to be used for the sample-interval counter. The sample-interval counter controls the time that elapses between acquisition of samples within a scan sequence.

**sampTimebase** has the following possible values:

- 1: 1 MHz clock used as timebase (1  $\mu$ s resolution).
- 2: 100 kHz clock used as timebase (10  $\mu$ s resolution).
- 3: 10 kHz clock used as timebase (100  $\mu$ s resolution).
- 4: 1 kHz clock used as timebase (1 ms resolution).
- 5: 100 Hz clock used as timebase (10 ms resolution).

If sample-interval timing is to be externally controlled, NI-DAQ ignores **sampTimebase** and the parameter can be any value.

**sampInterval** indicates the length of the sample interval (that is, the amount of time to elapse between each A/D conversion within a scan sequence).

Range: 2 through 65,535.

The sample interval is a function of the timebase resolution. NI-DAQ determines the actual sample interval in seconds by the following formula:

$$\mathbf{sampInterval} * (\text{sample timebase resolution})$$



where the sample timebase resolution is equal to one of the values of **sampTimebase** as specified above. For example, if **sampInterval** = 25 and **sampTimebase** = 2, the actual sample interval is  $25 * 10 \mu\text{s} = 250 \mu\text{s}$ . The total sample interval (the time to complete one scan sequence) in seconds is the actual sample interval \* number of channels scanned. If the sample interval is to be externally controlled by conversion pulses applied to the EXTCONV\* input, NI-DAQ ignores the **sampInterval** and the parameter can be any value.

**scanInterval** indicates the length of the scan interval. This is the amount of time to elapse between scans. The timebase for this parameter is actually the **sampTimebase** parameter. The function performs a scan each time NI-DAQ samples all channels in the scan sequence. Therefore, **scanInterval** must be greater than or equal to **sampInterval** \* **numChans** + 5  $\mu\text{s}$ . Range: 0 and 2 through 65,535.

NI-DAQ determines the actual scan interval in seconds by the following formula:

$$\text{scanInterval} * (\text{sample timebase resolution})$$

A value of 0 disables interval scanning. Lab\_ISCAN interval scanning is not available on the DAQCard-500/700 and 516 and LPM devices.

## Using This Function

If you did not specify external sample-interval timing by the DAQ\_Config call, NI-DAQ sets the sample-interval counter to the specified **sampInterval** and **sampTimebase**, and sets the sample counter up to count the number of samples acquired and to stop the data acquisition process when the number of samples acquired equals **count**. If you have specified external sample-interval timing, the data acquisition circuitry relies on pulses received on the EXTCONV\* input to initiate individual A/D conversions.

Lab\_ISCAN\_Start initializes a background data acquisition process to handle storing of A/D conversion samples into the buffer as NI-DAQ acquires them. When you use posttrigger mode (with pretrigger mode disabled), the process stores up to **count** A/D conversion samples into the buffer and ignores any subsequent conversions. The order of the scan is from channel  $n-1$  to channel 0, where  $n$  is the number of channels being scanned. For example, if **numChans** is 3 (that is, you are scanning three channels), NI-DAQ stores the data in the buffer in the following order:

First sample from channel 2, first sample from channel 1, first sample from channel 0, second sample from channel 2, and so on.

You cannot make the second call to Lab\_ISCAN\_Start without terminating this background data acquisition process. If a call to Lab\_ISCAN\_Check returns **daqStopped** = 1, the samples are available and NI-DAQ terminates the process. In addition, a call to DAQ\_Clear terminates the background data acquisition process. Notice that if a call to Lab\_ISCAN\_Check returns an error code of **overflowError** or **overRunError**, or **daqStopped** = 1, the process is automatically terminated and there is no need to call DAQ\_Clear.

For the Lab and 1200 Series devices, if you enable pretrigger mode, Lab\_ISCAN\_Start initiates a cyclical acquisition that continually fills the buffer with data, wrapping around to the start of the buffer once NI-DAQ has written to the entire buffer. When you apply the signal at the stop trigger input, Lab\_ISCAN\_Start acquires an additional number of samples specified by the **ptsAfterStoptrig** parameter in DAQ\_StopTrigger\_Config and then terminates.

Because the trigger can occur at any point in the scan sequence, the scanning operation can end in the middle of a scan sequence. See the description for Lab\_ISCAN\_Check to determine how NI-DAQ rearranges the buffer after the acquisition ends. When you enable pretrigger mode, the length of the buffer, which is greater than or equal to **count**, should be an integral multiple of **numChans**.

If you have selected external start triggering of the data acquisition operation, a low-to-high edge at the EXTTRIG of the Lab and 1200 Series device I/O connector input initiates the data acquisition operation after the Lab\_ISCAN\_Start call is complete. Otherwise, Lab\_ISCAN\_Start issues a software trigger to initiate the data acquisition operation before returning.

**Note**

*If your application calls Lab\_ISCAN\_Start, always make sure that you call DAQ\_Clear before your application terminates and returns control to the operating system. Unless you make this call (either directly, or indirectly through Lab\_ISCAN\_Check or DAQ\_DB\_Transfer), unpredictable behavior might result.*

## Lab\_ISCAN\_to\_Disk

---

### Format

**status = Lab\_ISCAN\_to\_Disk (deviceNumber, numChans, gain, filename, count, sampleRate, scanRate, concat)**

### Purpose

Performs a synchronous, multiple-channel scanned data acquisition operation and simultaneously saves the acquired data in a disk file. Lab\_ISCAN\_to\_Disk does not return until NI-DAQ has acquired and saved all the data or an acquisition error has occurred (DAQCard-500/700 and 516, Lab and 1200 Series, and LPM devices only).

### Parameters

#### Input

Name	Type	Description
<b>deviceNumber</b>	i16	assigned by configuration utility
<b>numChans</b>	i16	number of channels to be scanned
<b>gain</b>	i16	gain setting
<b>filename</b>	STR	name of the data file to be created
<b>count</b>	u32	number of samples to be acquired
<b>sampleRate</b>	f64	desired sample rate in units of pts/s
<b>scanRate</b>	f64	desired scan rate in units of pts/s
<b>concat</b>	i16	enables concatenation of data to an existing file

### Parameter Discussion

**numChans** is the number of channels to be scanned in a single scan sequence. The value of this parameter also determines which channels NI-DAQ scans because these supported devices have a fixed scanning order. The scanned channels range from **numChans** – 1 to channel 0. If you are using SCXI modules with additional multiplexers, you must scan the appropriate analog input channels on the DAQ device that corresponds to the SCXI channels you want. You should select the SCXI scan list using `SCXI_SCAN_Setup` before you call this function. Refer to Chapter 12, *SCXI Hardware*, in the *DAQ Hardware Overview Guide* and the *NI-DAQ User Manual for PC Compatibles* for more information on SCXI channel assignments.

Range: 1 through 4 for the 516 and Lab and 1200 Series devices in differential mode.  
1 through 8 for the DAQCard-500 (single-ended mode only).

1 through 8 for the DAQCard-700 in differential mode.

1 through 8 for the 516 and Lab and 1200 Series devices in single-ended mode.

1 through 16 for the DAQCard-700 and LPM devices in single-ended mode.

**gain** is the gain setting to be used for the scanning operation. NI-DAQ applies the same gain to all the channels scanned. This gain setting applies only to the DAQ device; if you use SCXI modules with additional gain selection, you must establish any gain you want at the SCXI module either by setting jumpers on the module or by calling `SCXI_Set_Gain`. The following gain settings are valid for the Lab and 1200 Series devices: 1, 2, 5, 10, 20, 50, 100. If you use an invalid gain setting, NI-DAQ returns an error. NI-DAQ ignores **gain** for the DAQCard-500/700 and LPM devices.

**count** is the number of samples to be acquired (that is, the number of A/D conversions to be performed). The length of your data file should be exactly twice the value of **count**. If you have previously enabled pretrigger mode (by a call to `DAQ_StopTrigger_Config`) NI-DAQ ignores the **count** parameter.

Range: 3 through  $2^{32} - 1$ .

**sampleRate** is the sample rate you want in units of pts/s.

Range: Roughly 0.00153 pts/s through 62,500 pts/s (Lab and 1200 Series devices).

Roughly 0.00153 pts/s through 50,000 pts/s (DAQCard-500/700 and 516 and LPM devices).



**Note** *If you are using an SCXI-1200 with remote SCXI, the maximum rate will depend on the baud rate setting and count. Refer to the SCXI-1200 User Manual for more details.*

**scanRate** is the scan rate you want in units of pts/s. This is the rate at which NI-DAQ performs scans. The function performs a scan each time NI-DAQ samples all channels in the scan sequence. Therefore, **scanRate** must be equal to or greater than **sampleRate** \* **numChans**. Lab\_ISCAN interval scanning is available on the Lab and 1200 Series devices only.

Range: 0 and roughly 0.00153 pts/s through 62,500 pts/s.



**Note** *If you are using an SCXI-1200 with remote SCXI, the maximum rate will depend on the baud setting. Refer to the SCXI-1200 User Manual for more details.*

A value of 0 disables interval scanning.

**concat** enables concatenation of data to an existing file. Regardless of the value of **concat**, if the file does not exist, NI-DAQ creates the file.

0: Overwrite file if it exists.

1: Concatenate new data to an existing file.

## Using This Function

Lab\_ISCAN\_to\_Disk initiates a synchronous process of acquiring A/D conversion samples and storing them in a disk file. Lab\_ISCAN\_to\_Disk does not return control to your application until NI-DAQ acquires and saves all the samples you want (or until an acquisition error occurs). For the Lab and 1200 Series devices, when you use posttrigger mode, the process stores **count** A/D conversions in the file and ignores any subsequent conversions.

**Note**

*If you have selected external start triggering of the data acquisition operation, a low-to-high edge at the EXTTRIG of the Lab and 1200 Series device I/O connector input initiates the data acquisition operation. Be aware that if you do not apply the start trigger, Lab\_ISCAN\_to\_Disk does not return control to your application. Otherwise, Lab\_ISCAN\_to\_Disk issues a software trigger to initiate the data acquisition operation.*

If you have enabled pretrigger mode, the sample counter does not begin counting acquisitions until you apply a signal at the stop trigger input. Until you apply this signal, the acquisition continues to write data into the disk file. NI-DAQ ignores the value of the **count** parameter when you enable pretrigger mode. If you do not apply the stop trigger, Lab\_ISCAN\_to\_Disk returns control to your application because you will eventually run out of disk space.

In any case, you can use Timeout\_Config to establish a maximum length of time for Lab\_ISCAN\_to\_Disk to execute.

# Line\_Change\_Attribute

---

## Format

**status = Line\_Change\_Attribute (deviceNumber, lineNum, attribID, attribValue)**

## Purpose

Sets various options on an I/O connector and internal lines (6602 devices only).

## Parameters

### Input

Name	Type	Description
<b>deviceNumber</b>	i16	assigned by configuration utility
<b>lineNum</b>	u32	name of the line you want to set properties of
<b>attribID</b>	u32	identification of the attribute you want to change
<b>attribValue</b>	u32	value of the attribute specified by <b>attribID</b>

## Parameter Discussion

Legal ranges for the **lineNum**, **attribID** and **attribValue** parameters are in terms of constants defined in a header file. The header file you should use depends on the language you are using:

- C programmers—NIDAQCNS.H (DATAACQ.H for LabWindows/CVI)
- BASIC programmers—NIDAQCNS.INC (Visual Basic for Windows programmers should refer to the [Programming Language Considerations](#) section in Chapter 1, [Using the NI-DAQ Functions](#), for more information.)
- Pascal programmers—NIDAQCNS.PAS

**lineNum** indicates which line you want to change the attributes of. Legal values for this parameter are ND\_PFI\_0 through ND\_PFI\_39, ND\_RTISI\_0 through ND\_RTISI\_6, and ND\_RTISI\_CLOCK.

**attribID** indicates which feature you are interested in changing. Legal values are listed in the following paragraphs, along with the corresponding values you can expect for **attribValue**.

**attribID** = ND\_LINE\_FILTER (valid only for **lineNum** = ND\_PFI\_0 through ND\_PFI\_39)

attribValue	Description
ND_SYNCHRONIZATION_ONLY	Synchronizes the signal using the internal clock
ND_100KHZ	Filters the signal using a 100 kHz filter
ND_500KHZ	Filters the signal using a a 500 kHz filter
ND_1MHZ	Filters the signal using a 1 MHz filter
ND_5MHZ	Filters the signal using a 5 MHz filter
ND_NONE (default)	Uses no filtering or synchronization. The signal in this case passes through “as is.” This is the default setting.

**attribID** = ND\_LINE\_FILTER (valid only for **lineNum** = ND\_RTSL\_0 through ND\_RTSL\_6 and ND\_RTSL\_CLOCK)

attribValue	sourceSpec
ND_SYNCHRONIZATION_ONLY	Synchronizes the internal line with the internal clock
ND_NONE (default)	Uses no synchronization. The signal passes through “as is.” This is the default setting.

## Using This Function

When **attribID** = ND\_LINE\_FILTER and **attribValue** = ND\_SYNCHRONIZATION\_ONLY, *Line\_Change\_Attribute* helps the 6602 device synchronize itself with external clock pulses.

The RTSL lines can accept an external clock as one of their inputs. The external clock will probably not be in synchronization with the internal clock on the 6602 device. If the two clocks are not in synchronization, it is possible for the 6602 device to miss or miscount a signal. Calling *Line\_Change\_Attribute* with **attribID** = ND\_LINE\_FILTER and **attribValue** = ND\_SYNCHRONIZATION\_ONLY establishes synchronization by delaying the external clock referenced pulse until the 6602 can count the pulse. The 6602 can count the external clocked pulse during the next internal clock pulse. Refer to your 6602 device manual for more details.

### Example

```
status = Line_Change_Attribute (1, ND_PFI_36, ND_LINE_FILTER,
ND_SYNCHRONIZATION_ONLY);
```

This example synchronizes any pulses coming in on internal line 3 with the internal clock of the TIO chip.

## LPM16\_Calibrate

---

### Format

`status = LPM16_Calibrate (deviceNumber)`

### Purpose

Calibrates the LPM devices converter. The calibration calculates the correct offset voltage for the voltage comparator, adjusts positive linearity and full-scale errors to less than  $\pm 0.5$  LSB each, and adjusts zero error to less than  $\pm 1$  LSB.

### Parameters

#### Input

Name	Type	Description
<code>deviceNumber</code>	I16	assigned by configuration utility

### Using This Function

When the function is called, the ADC1241 ADC goes into a self-calibration cycle. The function does not return until the self-calibration is completed.



## MIO\_Calibrate

---

### Format

**status = MIO\_Calibrate (deviceNumber, calOP, saveNewCal, EEPROMloc, calRefChan, DAC0chan, DAC1chan, calRefVolts, refLoc)**

### Purpose



**Note** *If you have an E Series device, use Calibrate\_E\_Series.*

You can use this function to calibrate your AT-MIO-16F-5, AT-MIO-64F-5, and AT-MIO-16X devices. You need to calibrate your device under the following conditions:

- If it is operating in an environment with a temperature that differs by more than 10° C from the temperature at which the device was calibrated. Your device is calibrated at the factory at room temperature (25° C).
- Once every year.

You can perform a new calibration or use an existing set of calibration constants by copying the constants from their storage location in the onboard EEPROM. You also can store calibration constants. NI-DAQ automatically loads the calibration constants stored in the EEPROM load area the first time you call a function pertaining to the AT-MIO-16F-5, AT-MIO-64F-5, or AT-MIO-16X devices that requires calibration constants to be loaded (when you call an AI, AO, DAQ, SCAN, or WFM function).

The load area for the AT-MIO-16F-5 is user area 5. The load area for the AT-MIO-64F-5 and AT-MIO-16X is user area 8.



**Caution** *Read the calibration chapter in your device user manual before using MIO\_Calibrate.*

### Parameters

#### Input

Name	Type	Description
<b>deviceNumber</b>	i16	assigned by configuration utility
<b>calOP</b>	i16	operation to be performed
<b>saveNewCal</b>	i16	save new calibration constants
<b>EEPROMloc</b>	i16	storage location

Name	Type	Description
<b>calRefChan</b>	i16	AI channel that the calibration voltage is connected to
<b>DAC0chan</b>	i16	AI channel that DAC0 is connected to
<b>DAC1chan</b>	i16	AI channel that DAC1 is connected to
<b>calRefVolts</b>	f64	DC calibration voltage
<b>refLoc</b>	i16	source of the internal voltage reference constants

## Parameter Discussion

**calOP** determines the operation to be performed.

- 1: Load calibration constants from **EEPROMloc**.
- 2: Calibrate the ADC using internal reference voltage calibration constants in **refLoc**.
- 3: Calibrate the DACs using internal voltage calibration constants in **refLoc**; **DAC0chan** and **DAC1chan** are the analog input channels to which DAC0 and DAC1 are connected, respectively.
- 4: Calibrate the internal reference voltage. You must connect a DC voltage of **calRefVolts** to the analog input channel **calRefChan**. The calibration constants are always stored in **refLoc**.
- 5: Copy ADC calibration constants from **EEPROMloc** to EEPROM load area.
- 6: Copy DAC calibration constants from **EEPROMloc** to EEPROM load area.



**Note** (*AT-MIO-16F-5 users only*) When **calOp** is 3, you must connect each DAC to the negative side of the respective input channel. Otherwise, the calibration will not converge.

**saveNewCal** is only valid when **calOP** is 2 or 3.

- 0: Do not save new calibration constants in **EEPROMloc**.
- 1: Save new calibration constants in **EEPROMloc**.

**EEPROMloc** selects the storage location in the onboard EEPROM. You can use different sets of calibration constants to compensate for configuration or environmental changes.

For the AT-MIO-16F-5:

- 1: User calibration area 1.
- 2: User calibration area 2.
- 3: User calibration area 3.
- 4: User calibration area 4.
- 5: User calibration area 5 (initial load area).
- 6: Factory calibration area (you cannot write into this area).

For the AT-MIO-64F-5 and AT-MIO-16X:

- 1: User calibration area 1.
- 2: User calibration area 2.
- 3: User calibration area 3.
- 4: User calibration area 4.
- 5: User calibration area 5.
- 6: User calibration area 6.
- 7: User calibration area 7.
- 8: User calibration area 8 (initial load area).
- 9: Factory calibration area for unipolar (you cannot write to this area).
- 10: Factory calibration area for bipolar (you cannot write to this area).

**calRefChan** is the analog input channel that the calibration voltage is connected to when **calOP** is 4.

Range: 0 through 7.

**DAC0chan** is the analog input channel that DAC0 is connected to when **calOP** is 3. This parameter is not applicable to the AT-MIO-64F-5 because its DAC0 is internally wrapped back.

Range: 0 through 7.

**DAC1chan** is the analog input channel that DAC1 is connected to when **calOP** is 3. This parameter is not applicable to the AT-MIO-64F-5 because its DAC0 is internally wrapped back.

Range: 0 through 7.

**calRefVolts** is the value of the DC calibration voltage connected to **calRefChan** when **calOP** is 4.

Range: +6 to +10 V.

**refLoc** is the source of the internal voltage reference constants when **calOp** is 2 or 3. When **calOP** is 4, NI-DAQ stores the internal voltage reference constants in **refLoc**.

- 1: User reference area 1.
- 2: User reference area 2.
- 3: User reference area 3 (AT-MIO-16X and AT-MIO-64F-5 only).
- 4: User reference area 4 (AT-MIO-16X and AT-MIO-64F-5 only).
- 6: Factory reference area (you cannot write to this area).

## Using This Function



### Note

*Calibration of your MIO or AI device takes some time. Do not be alarmed if the MIO\_Calibrate function takes several seconds to execute.*

Unless you have previously stored new internal voltage reference constants in **refLoc** (the user reference area) 1 or 2 by calling `MIO_Calibrate` with **calOp** set to 4, you must use **refLoc** 6 (the factory reference area) when performing an ADC or a DAC (**calOp** set to 2 or 3, respectively) calibration.

A calibration performed in bipolar mode is not valid for unipolar and vice versa. `MIO_Calibrate` performs a bipolar or unipolar calibration, or loads the bipolar or unipolar constants, depending on the value of the polarity parameter in the last call to `AI_Configure`. Because you can configure the AT-MIO-16X and AT-MIO-64F-5 polarities on a per-channel basis, `MIO_Calibrate` uses channel 0 to determine the polarity of the ADC calibration. If you take analog input measurements with the wrong set of calibration constants loaded, you might get erroneous data.

When you use an AT-MIO-16F-5 with **calOp** = 3 (calibrate DACs), you must connect the outputs of the DAC in reverse to the A/D inputs (positive to negative and vice versa). If you do not make the connections properly, the calibration will fail to converge.

If you have altered the device input polarity by the `AI_Configure` call, NI-DAQ will automatically reload the correct calibration constants. Refer to the description of `AI_Configure` function for details. See the calibration chapter of your device user manual for more information regarding calibrating the device.



**Note** *You should always calibrate the ADC and the DACs after calibrating the internal reference voltage.*

## MIO\_Config

---

### Format

**status = MIO\_Config (deviceNumber, dither, useAMUX)**

### Purpose

Turns dithering (the addition of Gaussian noise to the analog input signal) on and off, for an E Series device except the AT-MIO-16F-5, AT-MIO-64F-5, PCI-6110E, PCI-6111E, and Lab and 1200 Series devices (except the Lab-PC+). This function also lets you specify whether to use AMUX-64T channels or onboard channels for devices with 64 channels.

### Parameters

#### Input

Name	Type	Description
<b>deviceNumber</b>	i16	assigned by configuration utility
<b>dither</b>	i16	whether to add approximately 0.5 LSB rms of white Gaussian noise to the input signal
<b>useAMUX</b>	i16	whether to use AMUX-64T input channels or onboard channels for 64 channel devices

### Parameter Discussion

**dither** indicates whether to add approximately 0.5 LSB rms of white Gaussian noise to the input signal. This is useful for applications that involve averaging to increase the effective resolution of a device. For high-speed applications that do not involve averaging, dithering is not recommended and should be disabled.

- 0: Disable dithering.
- 1: Enable dithering.

This parameter is ignored for the 16-bit E Series devices. Dithering is always enabled on these devices.

**useAMUX** is valid for the devices with 64 channels only.

- 1: To use AMUX-64T channels.
- 0: To use onboard channels.

## Using This Function

To use the AMUX-64T with devices with 64 channels, you must call this function to specify whether to use the AMUX-64T input channels or the onboard channels for these devices. For example, if you have one AMUX-64T device connected to the MIO connector of a 64 channel device, channel numbers 16 through 63 are duplicated. To use AMUX-64T channel 20, you must call `MIO_Config` with **useAMUX** set to 1. Later, if you decide to use onboard channel 20, you must call `MIO_Config` with **useAMUX** set to 0.

## RTSI\_Clear

---

### Format

**status = RTSI\_Clear (deviceNumber)**

### Purpose

Disconnects all RTSI bus trigger lines from signals on the specified device.

### Parameter

#### Input

Name	Type	Description
<b>deviceNumber</b>	i16	assigned by configuration utility

### Using This Function

`RTSI_Clear` clears all RTSI bus trigger line connections from the specified device, including a system clock signal connected through a call to `RTSI_Clock` (you can connect or disconnect other device system clocks only by changing jumpers on the devices). After you execute `RTSI_Clear`, the device is neither driving signals onto any trigger line nor receiving signals from any trigger line. You can use this call to reset the device RTSI bus interface.

## RTSI\_Clock

---

### Format

**status = RTSI\_Clock (deviceNumber, connect, dir)**

### Purpose

Connects or disconnects the system clock from the RTSI bus if the device can be programmed to do so. You can connect or disconnect the other device system clock signals to and from the RTSI bus using jumper settings.

### Parameters

#### Input

Name	Type	Description
<b>deviceNumber</b>	i16	assigned by configuration utility
<b>connect</b>	i16	connect or disconnect the system clock
<b>dir</b>	i16	direction of the connection

### Parameter Discussion

**connect** indicates whether to connect or disconnect the system clock from the RTSI bus.

- 0: Disconnect.
- 1: Connect.

**dir** indicates the direction of the connection. If **connect** is 0, **dir** is meaningless.

- 0: Receive clock signal from the RTSI bus trigger line.
- 1: Transmit clock signal to the RTSI bus trigger line.

### Using This Function

RTSI\_Clock can connect the onboard system clock of an AT-MIO-16X, AT-MIO-64F-5, AT-AO-6/10, or a DIO 6533 (DIO-32HS) to the RTSI bus. Calling RTSI\_Clock with **connect** equal to 1 and **dir** equal to 1 configures the specified **deviceNumber** to transmit its system clock signal onto the RTSI bus. You do not need to specify a RTSI bus trigger line because NI-DAQ uses a dedicated line. Calling RTSI\_Clock with **connect** equal to 1 and **dir** equal to 0 configures the specified **deviceNumber** to use the signal on the RTSI bus dedicated clock pin as this device system clock. In this way, the two devices are controlled by a single system clock.

Calling RTSI\_Clock with **connect** equal to 0 disconnects the clock signal from the RTSI bus. RTSI\_Clear also disconnects the clock signal from the RTSI bus.



RTSI\_Clock always returns an error if **deviceNumber** is not an AT-MIO-16X, AT-MIO-64F-5, AT-AO-6/10, or a DIO 6533 (DIO-32HS). To connect the system clock signal of any other device to the RTSI bus, you must change a jumper setting on the device. See the appropriate user manual for instructions.



**Note**      *If you are using an E Series device, see the `Select_Signal` function.*

## RTSI\_Conn

---

### Format

**status = RTSI\_Conn (deviceNumber, sigCode, trigLine, dir)**

### Purpose

Connects a device to the specified RTSI bus trigger line.

### Parameters

#### Input

Name	Type	Description
<b>deviceNumber</b>	i16	assigned by configuration utility
<b>sigCode</b>	i16	signal code number to be connected
<b>trigLine</b>	i16	RTSI bus trigger line
<b>dir</b>	i16	direction of the connection

### Parameter Discussion

**sigCode** is the signal code number of the device signal to be connected to the trigger line. Signal code numbers for each device type are in the *RTSI Bus Trigger Functions* section of Chapter 3, *Software Overview*, of the *NI-DAQ User Manual for PC Compatibles*.

**trigLine** is the RTSI bus trigger line that is to be connected to the signal.

Range: 0 through 6.

**dir** is the direction of the connection.

- 0: Receive signal (input, receiver) from the RTSI bus trigger line.
- 1: Transmit signal (output, source) to the RTSI bus trigger line.

### Using This Function

RTSI\_Conn programs the RTSI interface on the specified **deviceNumber** such that NI-DAQ connects the signal identified by **sigCode** to the trigger line specified by **trigLine**. For example, if the specified **deviceNumber** is a non-E Series MIO or AI device, the device **sigCode** is 7, the RTSI **trigLine** is 3, and the **dir** is 1, NI-DAQ drives the output produced by counter 1 (OUT1) on the specified **deviceNumber** onto trigger line 3 of the RTSI bus. You need to make another call to RTSI\_Conn to program another MIO or AI device (or the same device) to receive the OUT1 signal (**dir** = 0) in order to make use of it.

The second call could access another non-E Series MIO or AI device and use parameters **sigCode** = 0, **trigLine** = 3, and **dir** = 0. This call configures the second non-E Series MIO or AI device RTSI interface to receive a signal from trigger line 3 and drive it onto the non-E Series MIO or AI device EXTCONV\* signal. The total effect of these two calls is that the non-E Series MIO or AI device EXTCONV\* signal on the second device is controlled by the OUT1 signal on the first MIO or AI device, thus controlling A/D conversions on the second non-E Series MIO or AI device by a counter on the first.



**Note** *If you are using an E Series device, see the `Select_Signal` function.*

## Rules for RTSI Bus Connections

Observe the following rules when routing signals over the RTSI bus trigger lines:

- You can connect any signal to any trigger line.
- RTSI connections should have only one source signal but can have multiple receiver signals. Connecting two or more source signals causes bus contention over the trigger line.
- You can connect two or more signals on the same device together using a RTSI bus trigger line as long as you follow the above rules.

You can disconnect RTSI connections by using either `RTSI_DisConn` or `RTSI_Clear`.

## RTSI\_DisConn

---

### Format

**status** = RTSI\_DisConn (**deviceNumber**, **sigCode**, **trigLine**)

### Purpose

Disconnects a device signal from the specified RTSI bus trigger line.

### Parameters

#### Input

Name	Type	Description
<b>deviceNumber</b>	i16	assigned by configuration utility
<b>sigCode</b>	i16	signal code number
<b>trigLine</b>	i16	RTSI bus trigger line

### Parameter Discussion

**sigCode** is the signal code number of the device signal to be disconnected from the RTSI bus trigger line. Signal code numbers for each device type are in the *RTSI Bus Trigger Functions* section of Chapter 3, *Software Overview*, of the *NI-DAQ User Manual for PC Compatibles*.

**trigLine** specifies the RTSI bus trigger line that is to be disconnected from the signal.  
Range: 0 through 6.

### Using This Function

RTSI\_DisConn programs the RTSI bus interface on the specified **deviceNumber** such that NI-DAQ disconnects the signal identified by **sigCode** and the trigger line specified by **trigLine**.



**Note** *It takes the same number of RTSI\_DisConn calls to disconnect a connection as it took RTSI\_Conn calls to make the connection in the first place. (See RTSI\_Conn for further explanation.)*

## SC\_2040\_Config

---

### Format

**status** = SC\_2040\_Config (**deviceNumber**, **channel**, **sc2040gain**)

### Purpose

Informs NI-DAQ that an SC-2040 Track-and-Hold accessory is attached to the device specified by **deviceNumber** and communicates to NI-DAQ gain settings for one or all channels.

### Parameters

#### Input

Name	Type	Description
<b>deviceNumber</b>	i16	assigned by configuration utility
<b>channel</b>	i16	number of SC-2040 channel you want to configure; use -1 to indicate all SC-2040 channels
<b>sc2040gain</b>	i16	specifies gain you have set using jumpers on the SC-2040

### Parameter Discussion

**channel** allows you to specify an individual channel on the SC-2040 or all SC-2040 channels.  
Range: -1 for all channels and 0 through 7 for individual channels.

**sc2040gain** allows you to indicate the gain you have selected with your SC-2040 jumpers.  
Range: 1, 10, 100, 200, 300, 500, 600, 700, 800.

### Using This Function

You must use this function before any analog input function that uses the SC-2040.

This function reserves the PFI 7 line PFI 7 line on your E Series device for use by NI-DAQ and the SC-2040. This line is configured for output, and the output is the a signal that indicates when a scan is in progress.



**Caution** *Do not try to drive the PFI 7 line after calling this function. If you do, you might damage your SC-2040, your E Series device, and your equipment.*

**Example 1**

You have selected set the jumper for a gain of 100 for all your SC-2040 channels. You should call `SC_2040_Config` as follows:

```
SC_2040_Config(deviceNumber, -1, 100)
```

**Example 2**

You have selected gain set the jumper for a gain of 100 for channels 0, 3, 4, 5, and 6 on your SC-2040, gain 200 for channels 1 and 2, and gain 500 for channel 7. You should call function `SC_2040_Config` several times as follows:

```
SC_2040_Config(deviceNumber, -1, 100)
```

```
SC_2040_Config(deviceNumber, 1, 200)
```

```
SC_2040_Config(deviceNumber, 2, 200)
```

```
SC_2040_Config(deviceNumber, 7, 500)
```

## SCAN\_Demux

---

### Format

**status** = SCAN\_Demux (**buffer**, **count**, **numChans**, **numMuxBrds**)

### Purpose

Rearranges, or demultiplexes, data acquired by a SCAN operation into row-major order (that is, each row of the array holding the data corresponds to a scanned channel) for easier access by C applications. SCAN\_Demux does not need to be called by BASIC applications to rearrange two-dimensional arrays because these arrays are accessed in column-major order.

### Parameters

#### Input

Name	Type	Description
<b>count</b>	u32	number of samples
<b>numChans</b>	i16	number of channels that were scanned
<b>numMuxBrds</b>	i16	number of AMUX-64T devices used

#### Input/Output

Name	Type	Description
<b>buffer</b>	[i16]	conversion samples returned

### Parameter Discussion

**buffer** is an integer array of A/D conversion samples returned by a SCAN operation.

**count** is the integer length of **buffer** (that is, the number of samples contained in **buffer**).

**numChans** is the number of channels that NI-DAQ scanned when the data was created. If you used SCXI to acquire the data, **numChans** should be the total number of channels sampled during one scan. Otherwise, this parameter is the same as the value of **numChans** selected in SCAN\_Setup, Lab\_ISCAN\_Start, SCAN\_Op, or Lab\_ISCAN\_Op.

Range: 1 through 16.

1 through 512 for the E Series devices, AT-MIO-16F-5, AT-MIO-64F-5, and AT-MIO-16X.

1 through the physical number of AI channels for PCI-6110E and PCI-6111E (4 or 2).

**numMuxBrds** is the number of AMUX-64T devices used during the multiple-channel acquisition. NI-DAQ ignores this parameter for the DAQCard-500/700 and 516, Lab and 1200 Series, and LPM devices and DSA devices.

Range: 0, 1, 2, or 4.

## Using This Function

If your **buffer** was initially declared as a two-dimensional array after `SCAN_Demux` rearranges your data, you can access any point acquired from any channel by specifying the channel in the first dimension and the data point in the second dimension. For example, suppose NI-DAQ scanned channels 3 and 5 and **buffer** is zero based. Then **buffer**[0][9] contains the 10th data point (numbering starts at zero) scanned from channel 3 (the first of the two channels), and **buffer**[1][14] contains the 15th data point acquired from channel 5.

If the number of channels scanned varies each time you run your program, you probably should be using a one-dimensional array to hold the data. You can index this array in the following manner after `SCAN_Demux` performs its rearrangement to access any point acquired from any channel (again, suppose that channels 3 and 5 were scanned).

**count** is the total number of data points acquired.

`total_chans` is the total number of channels scanned (different from **numChans** if **numMuxBrds** is greater than zero).

`points_per_chan` is then the number of data points acquired from each channel (that is, **count**/`total_chans`).

**buffer**[0 \* `points_per_chan` + 9] contains the 10th data point scanned from channel 3.

**buffer**[1 \* `points_per_chan` + 14] contains the 15th data point acquired at channel 5.



## SCAN\_Op

---

### Format

**status = SCAN\_Op (deviceNumber, numChans, chans, gains, buffer, count, sampleRate, scanRate)**

### Purpose

Performs a synchronous, multiple-channel scanned data acquisition operation. SCAN\_Op does not return until NI-DAQ has acquired all the data or an acquisition error has occurred (MIO, AI, and DSA devices only).

### Parameters

#### Input

Name	Type	Description
<b>deviceNumber</b>	i16	assigned by configuration utility
<b>numChans</b>	i16	number of channels
<b>chans</b>	[i16]	list of channels
<b>gains</b>	[i16]	list of gain settings
<b>count</b>	u32	number of samples
<b>sampleRate</b>	f64	desired sample rate in pts/s
<b>scanRate</b>	f64	desired scan rate in scans/s

#### Output

Name	Type	Description
<b>buffer</b>	[i16]	contains the acquired data

### Parameter Discussion

**numChans** is the number of channels listed in the scan sequence.

Range: 1 through 16.

1 through 512 for the E Series devices, AT-MIO-16F-5, AT-MIO-64F-5, and AT-MIO-16X.

1 through  $n$  for PCI-6110E, PCI-6111E, and DSA devices where  $n$  is the number of physical channels onboard.

**chans** is an integer array of a length not less than **numChans** that contains the channel scan sequence to be used. **chans** can contain any onboard analog input channel number (Range: 0 through 7 differential, 0 through 15 single-ended) number in any order. For onboard analog input channel ranges, see Table B-1 in Appendix B, *Analog Input Channel, Gain Settings, and Voltage Calculation*. For example, if **numChans** = 4 and if **chans**[1] = 7, the second channel to be scanned is analog input channel number 7, and NI-DAQ scans four analog input channels.



**Note** *The channels contained in the chans array refer to the onboard channel numbers.*

If you use one or more external multiplexer devices (AMUX-64Ts), with any MIO or AI device except the MIO-64, the total number of channels scanned equals (four-to-one multiplexer) \* (number of onboard channels scanned) \* (number of external multiplexer devices), or the total number of channels scanned equals (4) \* (**numChans**) \* (num\_mux\_brds). For example, if you use one AMUX-64T and scan eight onboard channels, the total number of channels scanned equals (4) \* (8) \* (1) = 32.

If you use one or more external multiplexer devices (AMUX-64Ts) with the MIO-64, the total number of channels scanned equals (4) \* (**numChans1**) \* (num\_mux\_brds) + **numChans2**, where:

- **numChans1** is the number of onboard channels (of an MIO or AI connector) scanned.  
Range: 0 through 7 differential, 0 through 15 single-ended.
- num\_mux\_brds is the number of external multiplexer devices.
- **numChans2** is the number of onboard channels (of an analog connector) scanned.  
Range: 0 through 23 differential, 0 through 48 single-ended.

If you are using SCXI, you must scan the appropriate analog input channels on the DAQ device that correspond to the SCXI channels you want. You should select the SCXI scan list using `SCXI_SCAN_Setup` before you call this function. Refer to the *NI-DAQ User Manual for PC Compatibles* for more information on SCXI channel assignments.

**gains** is an integer array of a length not less than **numChans** that contains the gain setting to be used for each channel in the scan sequence selected in **chans**. NI-DAQ applies the gain value contained in **gains**[*n*] to the channel number contained in **chans**[*n*] when NI-DAQ scans that channel. This gain setting applies only to the DAQ device; if you use SCXI, you must establish any gain you want at the SCXI module either by setting jumpers on the module or by calling `SCXI_Set_Gain`. Refer to Appendix B, *Analog Input Channel, Gain Settings, and*

**Voltage Calculation**, for valid gain settings. If you use an invalid gain, NI-DAQ returns an error.

**count** is the number of samples to be acquired (that is, the number of A/D conversions to be performed).

Range: 3 through  $2^{32} - 1$  (except the E Series).  
2 through  $2^{24} * (\text{total number of channels scanned})$  or  $2^{32} - 1$ , whichever is less (E Series and DSA devices). For PCI-611X devices, **count** must be EVEN.

**sampleRate** is the sample rate you want in units of pts/s. This is the rate at which NI-DAQ samples channels within a scan sequence.

Range: Roughly 0.00153 pts/s through 500,000 pts/s. The maximum rate varies according to the type of device you have.

**scanRate** is the scan rate you want in units of scans per second (scans/s). This is the rate at which NI-DAQ performs scans. NI-DAQ performs a scan each time the function samples all the channels listed in the scan sequence.

Range: 0 and roughly 0.00153 scans/s up to 5,000,000 scans/s. A value of 0 means that there is no delay between scans and that the effective **scanRate** is **sampleRate/numChans**.

When **scanRate** is not 0, **scanRate** must allow a minimum delay between the last channel of the scan and the first channel of the next scan. This delay must be at least 11  $\mu\text{s}$  on the AT-MIO-16X and 6  $\mu\text{s}$  on the AT-MIO-16F-5 and AT-MIO-64F-5. For E Series devices, this delay corresponds exactly to the speed of the board: for example, 1  $\mu\text{s}$  for an E-1 board, 2  $\mu\text{s}$  for an E-2 board, and so on.



**Note** *Simultaneous sampling devices do not use the sampleRate parameter. Because these devices use simultaneous sampling of all channels the scanRate parameter controls the acquisition rate; therefore, scanRate of 0 is not allowed.*

**buffer** is an integer array that must have a length not less than **count**. When SCAN\_Op returns with an error code equal to zero, **buffer** contains the acquired data.

4 represents a four-to-one multiplexer.

## Using This Function

SCAN\_Op initiates a synchronous process of acquiring A/D conversion samples and storing them in a buffer. SCAN\_Op does not return control to your application until NI-DAQ acquires all the samples you want (or until an acquisition error occurs). When you use posttrigger mode (with pretrigger mode disabled), the process stores **count** A/D conversions in the buffer and ignores any subsequent conversions.

**Note**

*If you have selected external start triggering of the data acquisition operation, a high-to-low edge at the STARTTRIG\* pin on the I/O connector of the MIO-16 and AT-MIO-16D, or the EXTTRIG\* pin on the AT-MIO-16F-5, AT-MIO-64F-5, and AT-MIO-16X initiates the data acquisition operation. If you are using an E Series device, you need to apply a trigger that you select through the Select\_Signal or DAQ\_Config functions to initiate data acquisition. Be aware that if you do not apply the start trigger, SCAN\_Op does not return control to your application. Otherwise, SCAN\_Op issues a software trigger to initiate the data acquisition operation.*

If you have enabled pretrigger mode, the sample counter does not begin counting acquisitions until you apply a signal at the stop trigger input. Until you apply this signal, the acquisition remains in a cyclical mode, continually overwriting old data in the buffer with new data. Again, if you do not apply the stop trigger, SCAN\_Op does not return control to your application.

In any case, you can use Timeout\_Config to establish a maximum length of time for SCAN\_Op to execute.

## SCAN\_Sequence\_Demux

---

### Format

**status = SCAN\_Sequence\_Demux (numChans, chanVector, bufferSize, buffer, samplesPerSequence, scanSequenceVector, samplesPerChannelVector)**

### Purpose

Rearranges the data produced by a multi-rate acquisition so that all the data from each channel is stored in adjacent elements of your buffer.

### Parameters

#### Input

Name	Type	Description
<b>numChans</b>	i16	the number of channels
<b>chanVector</b>	[i16]	the channel list
<b>bufferSize</b>	u32	the number of samples the buffer holds
<b>samplesPerSequence</b>	i16	the number of samples in a scan sequence
<b>scanSequenceVector</b>	[i16]	contains the scan sequence

#### Input/Output

Name	Type	Description
<b>buffer</b>	[i16]	the acquired samples

#### Output

Name	Type	Description
<b>samplesPerChannelVector</b>	[u32]	the number of samples for each channel

### Parameter Discussion

**numChans** is the number of entries in the **chanVector** and **samplesPerChannelVector** arrays.

**chanVector** contains the channels sampled in the acquisition that produced the data contained in **buffer**. It might be identical to the channel vector you used in the call to `SCAN_Sequence_Setup`, or it might contain the channels in a different order. `SCAN_Sequence_Demux` will reorder the data in **buffer** such that the data for **chanVector**[0] occurs first, the data for **chanVector**[1] occurs second, and so on.

**bufferSize** is the number of samples in the **buffer**.

**buffer** is the array containing the data produced by the multi-rate acquisition. When `SCAN_Sequence_Demux` returns, the data in **buffer** will be rearranged.

**samplesPerSequence** is the number of samples in a scan sequence (obtained from a previous call to `SCAN_Sequence_Setup`) and the size of the **scanSequenceVector** array.

**scanSequenceVector** contains the scan sequence created by NI-DAQ as a result of a previous call to `SCAN_Sequence_Setup`. You obtain a copy of **scanSequenceVector** by calling `SCAN_Sequence_Retrieve`.

**samplesPerChannelVector** contains the number of samples for each channel. The channel listed in entry *i* of **chanVector** will have a number of samples equal to the value of **samplesPerChannelVector**[*i*].

## Using This Function

`SCAN_Sequence_Demux` rearranges multirate data so that retrieving the data of a channel is more straightforward. The following example illustrates how to use this function:

The input parameters are as follows:

**numChans** = 3

**chanVector** = {2, 5, 7}

**bufferSize** = 14

**buffer** = {2, 5, 7, 2, 2, 5, 2, 2, 5, 7, 2, 2, 5, 2} where a 2 represents a sample from channel 2, and so on.

**samplesPerSequence** = 7

**scanSequenceVector** = {2, 5, 7, 2, 2, 5, 2}

The output parameters are as follows:

**buffer** = {2, 2, 2, 2, 2, 2, 2, 5, 5, 5, 5, 7, 7} where a 2 represents a sample from channel 2, and so on.

**samplesPerChannelVector** = {8, 4, 2}

The data from a channel can be located in the buffer by calculating the index of the first sample and the index of the last sample. The data from a channel listed in **chanVect**[0] (channel 2) begins at index 0 and ends at index **samplesPerChannelVector** [0] - 1 (index 7). The first sample for the channel listed in **chanVector**[1] (channel5) begins at **samplesPerChannelVector** [0] (index 8) and ends at (**samplesPerChannelVector** [0] +

**samplesPerChannelVector [1] - 1** (index 11). The first sample for the channel listed in **chanVector[2]** (channel 7) begins at (**samplesPerChannelVector [0] + samplesPerChannelVector [1]**) (index 12) and ends at (**samplesPerChannelVector [0] + samplesPerChannelVector [1] + samplesPerChannelVector [2] - 1**) (index 13).

## SCAN\_Sequence\_Retrieve

---

### Format

**status** = SCAN\_Sequence\_Retrieve (**device**, **samplesPerSequence**, **scanSequenceVector**)

### Purpose

Returns the scan sequence created by NI-DAQ as a result of a previous call to SCAN\_Sequence\_Setup.

### Parameters

#### Input

Name	Type	Description
<b>device</b>	i16	assigned by configuration utility
<b>samplesPerSequence</b>	i16	the number of samples in a scan sequence

#### Output

Name	Type	Description
<b>scanSequenceVector</b>	[i16]	contains the scan sequence

### Parameter Discussion

**samplesPerSequence** is the number of samples in a scan sequence (obtained from a previous call to SCAN\_Sequence\_Setup) and the size of the **scanSequenceVector** output parameter.

**scanSequenceVector** contains the scan sequence created by NI-DAQ as a result of a previous call to SCAN\_Sequence\_Setup. The scan sequence will not contain the ghost channel place holders.

### Using This Function

SCAN\_Sequence\_Retrieve is used to obtain the actual scan sequence to program the device. You will need this information to call SCAN\_Sequence\_Demux to rearrange your data or to extract particular channels data from your acquisition buffer without rearranging it. If you use DAQ\_Monitor to extract the data of a channel, you do not need the actual scan sequence.



## SCAN\_Sequence\_Setup

---

### Format

**status = SCAN\_Sequence\_Setup (device, numChans, chanVector, gainVector, scanRateDivisorVector, scansPerSequence, samplesPerSequence)**

### Purpose

Initializes the device for a multirate scanned data acquisition operation. Initialization includes selecting the channels to be scanned, assigning gains to these channels and assigning different sampling rates to each channel by dividing down the base scan rate.

### Parameters

#### Input

Name	Type	Description
<b>device</b>	i16	assigned by configuration utility
<b>numChans</b>	i16	number of channels
<b>chanVector</b>	[i16]	channel scan sequence
<b>gainVector</b>	[i16]	gain setting to be used for each channel in <b>chanVector</b>
<b>scanRateDivisorVector</b>	[i16]	rate divisor for each channel

#### Output

Name	Type	Description
<b>scansPerSequence</b>	i16	the number of scans in a scan sequence
<b>samplesPerSequence</b>	i16	the number of samples in a scan sequence

### Parameter Discussion

**numChans** is the number of entries in the three input vectors. All three input vectors must have the same number of entries.

**chanVector** contains the onboard channels that will be scanned. A channel cannot be listed more the once. Refer to Appendix B, [Analog Input Channel, Gain Settings, and Voltage Calculation](#), for valid channel settings.

**gainVector** contains the gain settings to be used for each channel in **chanVector**. The channel listed in entry *i* of **chanVector** will have the gain listed in entry *i* of **gainVector**.

**scanRateDivisorVector** contains the scan rate divisors to be used for each channel. The sample rate for a channel equals the base scan rate (that is, the scan rate specified when `SCAN_Start` is called) divided by the scan rate divisor for that channel. The channel listed in entry *i* of **chanVector** will have the scan rate divisor listed in entry *i* of **scanRateDivisorVector**.

**scansPerSequence** is an output parameter that contains the total number of scans in the scan sequence created by NI-DAQ from your **chanVector** and **scanRateDivisorVector** including any scans that consist entirely of *ghost channels*, or place holders.

**samplesPerSequence** is an output parameter that contains the total number of samples in the scan sequence excluding any *ghost channel* place holders. The total size of a scan sequence including ghost channel place holders is limited by the size of the memory on your device used to hold this information. Currently, this limit is 512 entries. Because **samplesPerSequence** excludes ghost channel place holders, an error might result even if **samplesPerSequence** is less than 512.

## Using This Function

You must observe the following restrictions:

- Interval scanning must be used.
- A channel can be listed only once in the channel vector.
- SCXI cannot be used.
- The AMUX-64T device cannot be used.
- Your acquisition cannot be pretriggered.
- The size of your buffer (the value of the count parameter to `SCAN_Start`) must be a multiple of **samplesPerSequence**.

The following example shows how to use `SCAN_Sequence_Setup`:

```
numChans = 3
chanVector = {2, 5, 7}
gainVector = {1, 1, 1}
scanRateDivisorVector = {1, 2, 4}
```

The scan rate divisor for channel 2 is 1 so it will be sampled at the base scan rate. The scan rate divisor for channel 5 is 2 so it will be sampled at a rate equal to the base scan rate divided by 2. Likewise, the scan rate divisor for channel 7 is 4 so it will be sampled at a rate equal to the base scan rate divided by 4.

The scan sequence created by NI-DAQ looks like this:

scan number: 1 2 3 4  
 channels sampled: 2, 5, 7, 2, 2, 5, 2  
**scansPerSequence** = 4  
**samplesPerSequence** = 7

If your base scan rate is 1,000 scans/s, channel 2 is sampled at 1,000 S/s, channel 5 is sampled at 500 S/s, and channel 7 is sampled at 250 S/s.

**ScansPerSequence** and **samplesPerSequence** are used to calculate the size of your acquisition buffer. Your buffer size must be an integer multiple of **samplesPerSequence**. Use **ScansPerSequence** to size your buffer to hold some unit of time's worth of data. For example, to figure out the size of a buffer in units of samples and to hold  $N$  seconds of data, use the following formula:

$$bufferSize = N * (scanRate / scansPerSequence) * samplesPerSequence$$

The *bufferSize* returned by the above formula will have to be rounded up so that it is a multiple of the **samplesPerSequence** if **scansPerSequence** does not divide evenly into *scanRate*.

In this example, your buffer size must be a multiple of 7. The number of samples your buffer must hold to contain 5 s of data at a base scan rate of 1,000 scans/s is:

$$5 * (1,000 / 4) * 7 = 8,750 \text{ S.}$$

# SCAN\_Setup

---

## Format

**status = SCAN\_Setup (deviceNumber, numChans, chanVector, gainVector)**

## Purpose

Initializes circuitry for a scanned data acquisition operation. Initialization includes storing a table of the channel sequence and gain setting for each channel to be digitized (MIO and AI devices only).

## Parameters

### Input

Name	Type	Description
<b>deviceNumber</b>	i16	assigned by configuration utility
<b>numChans</b>	i16	number of channels
<b>chanVector</b>	[i16]	channel scan sequence
<b>gainVector</b>	[i16]	gain setting to be used for each channel in <b>chanVector</b>

## Parameter Discussion

**numChans** is the number of channels in the **chanVector**.

Range: 1 through 16.

1 through 512 for the E Series devices, AT-MIO-16F-5, AT-MIO-64F-5, and AT-MIO-16X.

1 through  $n$  for PCI-6110E, PCI-6111E, and DSA devices, where  $n$  is the number of physical channels onboard.

**chanVector** is an integer array of length **numChans** that contains the onboard channel scan sequence to be used. **chanVector** can contain any analog input channel number in any order. For the channel number range, refer to Table B-1 in Appendix B, [Analog Input Channel, Gain Settings, and Voltage Calculation](#). For example, if **numChans** = 4 and if **chanVector**[1] = 7, the second channel to be scanned is analog input channel 7, and four analog input channels are scanned.



**Note** *The channels listed in the scan sequence refer to the onboard channel numbers.*

If you use one or more external multiplexer devices (AMUX-64Ts), with any MIO or AI device except the MIO-64, the total number of channels scanned equals (four-to-one multiplexer) \* (number of onboard channels scanned) \* (number of external multiplexer

devices), or the total number of channels scanned equals  $(4) * (\mathbf{numChans}) * (\mathbf{num\_mux\_brds})$ . For example, if you use one AMUX-64T and scan eight onboard channels, the total number of channels scanned equals  $(4) * (8) * (1) = 32$ .

If you use one or more external multiplexer devices (AMUX-64Ts) with the MIO-64, the total number of channels scanned equals  $(4) * (\mathbf{numChans1}) * (\mathbf{num\_mux\_brds}) + \mathbf{numChans2}$ , where:

- 4 represents four-to-one multiplexer.
- **numChans1** is the number of onboard channels (of an MIO or AI connector, the first connector) scanned.

Range: 0 through 7 differential, 0 through 15 single-ended.

- **num\_mux\_brds** is the number of external multiplexer devices.
- **numChans2** is the number of onboard channels (of an analog connector, the second connector) scanned.

Range: 0 through 23 differential, 0 through 48 single-ended.

If you are using SCXI, you must scan the analog input channels on the DAQ device that corresponds to the SCXI channels you want. You should select the SCXI scan list using `SCXI_SCAN_Setup` before you call this function. Refer to the *NI-DAQ User Manual for PC Compatibles* for more information on SCXI channel assignments.

**gainVector** is an integer array of length **numChans** that contains the gain setting to be used for each channel specified in **chanVector**. This gain setting applies only to the DAQ device; if you use SCXI, you must establish any gain you want at the SCXI module either by setting jumpers on the module or by calling `SCXI_Set_Gain`. Refer to Appendix B, *Analog Input Channel, Gain Settings, and Voltage Calculation*, for valid gain settings.

For example, if **gainVector**[5] = 10, when NI-DAQ scans the sixth channel, the function sets the gain circuitry to a gain of 10. Notice also that **gainVector**[*i*] corresponds to **chanVector**[*i*]. If **gainVector**[2] = 100 and **chanVector**[2] = 3, the third channel NI-DAQ scans is analog input channel 3, and the function sets its gain to 100.

## Using This Function

`SCAN_Setup` stores **numChans**, **chanVector**, and **gainVector** in the Mux-Gain Memory table on the device. The function uses this memory table during scanning operations (`SCAN_Start`) to automatically sequence through an arbitrary set of analog input channels and to allow gains to automatically change during scanning.

You need to call `SCAN_Setup` to set up a scan sequence for scanned operations; afterwards, you only need to call the function when you want a scan sequence. If you call `DAQ_Start` or `AI_Read`, NI-DAQ modifies the Mux-Gain Memory table on the device; therefore, you should use `SCAN_Setup` again after NI-DAQ modifies these calls to reinitialize the scan sequence.

## SCAN\_Start

---

### Format

**status** = SCAN\_Start (**deviceNumber**, **buffer**, **count**, **sampTimebase**, **sampInterval**, **scanTimebase**, **scanInterval**)

### Purpose

Initiates a multiple-channel scanned data acquisition operation, with or without interval scanning, and stores its input in an array (MIO, AI, and DSA devices only).

### Parameters

#### Input

Name	Type	Description
<b>deviceNumber</b>	i16	assigned by configuration utility
<b>buffer</b>	i16	assigned by configuration utility
<b>count</b>	u32	number of samples
<b>sampTimebase</b>	i16	resolution used for the sample-interval counter
<b>sampInterval</b>	u16	length of the sample interval
<b>scanTimebase</b>	i16	resolution for the scan-interval counter
<b>scanInterval</b>	u16	length of the scan interval

#### Output

Name	Type	Description
<b>buffer</b>	i16	assigned by configuration utility

### Parameter Discussion

**buffer** is an integer array. **buffer** must have a length equal to or greater than **count**. For DSA devices, **buffer** should be an array of i32. These devices return the data in a 32-bit format in which the data bits are in the most significant bits.

**count** is the number of samples to be acquired (that is, the number of A/D conversions to be performed). For double-buffered acquisitions, **count** specifies the size of the buffer, and **count** must be an even number.

Range: 3 through  $2^{32} - 1$  (except the E Series).

2 through  $2^{24} * (\text{total number of channels scanned})$  or  $2^{32} - 1$ , whichever is less for E Series and DSA devices. For PCI-611X devices, **count** must be EVEN.

**count** must be an integer multiple of the total number of channels scanned. **count** refers to the *total* number of A/D conversions to be performed; therefore, the number of samples acquired from each channel is equal to **count** divided by the total number of channels scanned. This number is also the total number of scans. For the E Series devices, the total number of scans must be at least 2. If you do not use external multiplexer (AMUX-64T) devices, the total number of channels scanned is equal to the value of **numChans** (see *Scan\_Setup*).

If you use one or more external multiplexer devices with any MIO or AI device except the MIO-64, the total number of channels scanned equals (four-to-one multiplexer) \* (number of onboard channels scanned) \* (scanned) \* (number of external multiplexer devices), or the total number of channels scanned equals  $(4) * (\text{numChans}) * (\text{num\_mux\_brds})$ . For example, if you use one AMUX-64T and scan eight onboard channels, the total number of channels scanned equals  $(4) * (8) * (1) = 32$ .

If you use one or more external multiplexer devices (AMUX-64Ts) with the MIO-64, the total number of channels scanned equals  $(4) * (\text{numChans1}) * (\text{num\_mux\_brds}) + \text{numChans2}$ , where:

- 4 represents a four-to-one multiplexer.
- **numChans1** is the number of onboard channels (of an MIO or AI connector, the first connector) scanned.

Range: 0 through 7 differential, 0 through 15 single-ended.

- **num\_mux\_brds** is the number of external multiplexer devices.
- **numChans2** is the number of onboard channels (of an analog connector, the second connector) scanned.

Range: 0 through 23 differential, 0 through 48 single-ended.

If you use SCXI, the total number of channels scanned is the total number of channels specified in the *SCXI\_SCAN\_Setup* call.

**sampTimebase** selects the clock frequency that indicates the timebase, or resolution, to be used for the sample-interval counter. The sample-interval counter controls the time that elapses between acquisition of samples within a scan sequence.

**sampTimebase** has the following possible values:

- 3: 20 MHz clock used as a timebase (50 ns resolution) (E Series only).
- 1: 5 MHz clock used as timebase (200 ns resolution) (AT-MIO-16F-5, AT-MIO-64F-5, and AT-MIO-16X only).

- 0: External clock used as timebase (Connect your own timebase frequency to the internal scan-interval counter via the SOURCE5 input for the MIO devices or, by default, the PFI8 input for the E Series devices).
- 1: 1 MHz clock used as timebase (1  $\mu$ s resolution) (non-E Series only).
- 2: 100 kHz clock used as timebase (10  $\mu$ s resolution).
- 3: 10 kHz clock used as timebase (100  $\mu$ s resolution) (non-E Series only).
- 4: 1 kHz clock used as timebase (1 ms resolution) (non-E Series only).
- 5: 100 Hz clock used as timebase (10 ms resolution) (non-E Series only).

On E Series devices, if you use this function with **sampleTimebase** set to 0 must call the `Select_Signal` function with **signal** set to `ND_IN_CHANNEL_CLOCK_TIMEBASE` and **source** set to a value other than `ND_INTERNAL_20_MHZ` and `ND_INTERNAL_100_KHZ` before calling `SCAN_Start` with **sampleTimebase** set to 0; otherwise, `SCAN_Start` will select low-to-high transitions on the PFI8 I/O connector pin as your external sample timebase.

If sample-interval timing is to be externally controlled (**extConv** = 1 or 3, see `DAQ_Config`), NI-DAQ ignores the **sampTimebase** parameter, which can be any value.

On DSA devices, **sampTimebase** is ignored. Use `DAQ_Set_Clock` to set the can rate.

**sampInterval** indicates the length of the sample interval (that is, the amount of time to elapse between each A/D conversion within a scan sequence).

Range: 2 through 65,535.

The sample interval is a function of the timebase resolution. The actual sample interval in seconds is determined by the following formula:

$$\mathbf{sampInterval} * (\text{sample timebase resolution})$$

where the sample timebase resolution is equal to one of the values of **sampTimebase** as specified above. For example, if **sampInterval** = 25 and **sampTimebase** = 2, the actual sample interval is  $25 * 10 \mu\text{s} = 250 \mu\text{s}$ . The time to complete one scan sequence in seconds is (the actual sample interval) \* (number of channels scanned). If the sample interval is to be externally controlled, the **sampInterval** parameter is ignored and can be any value.

On DSA devices, **sampInterval** is ignored. Use `DAQ_Set_Clock` to set the scan rate.

**scanTimebase** selects the clock frequency that indicates the timebase, or resolution, to be used for the scan-interval counter. The scan-interval counter controls the time that elapses between scan sequences. **scanTimebase** has the following possible values:

- 3: 20 MHz clock used as a timebase (50 ns resolution) (E Series only).
- 1: 5 MHz clock used as timebase (200 ns resolution) (AT-MIO-16F-5, AT-MIO-64F-5, and AT-MIO-16X only).
- 0: External clock used as timebase (Connect your own timebase frequency to the internal scan-interval counter via the SOURCE5 input for the MIO devices or, by default, the PFI8 input for the E Series devices).



- 1: 1 MHz clock used as timebase (1  $\mu$ s resolution) (non-E Series only).
- 2: 100 kHz clock used as timebase (10  $\mu$ s resolution).
- 3: 10 kHz clock used as timebase (100  $\mu$ s resolution) (non-E Series only).
- 4: 1 kHz clock used as timebase (1 ms resolution) (non-E Series only).
- 5: 100 Hz clock used as timebase (10 ms resolution) (non-E Series only).

On E Series devices, if you use this function with **scanTimebase** set to 0, you must call the function `Select_Signal` with **signal** set to `ND_IN_SCAN_CLOCK_TIMEBASE` and **source** set to a value other than `ND_INTERNAL_20_MHZ` and `ND_INTERNAL_100_KHZ` before calling `SCAN_Start` with **scanTimebase** set to 0; otherwise, `SCAN_Start` will select low-to-high transitions on the PFI8 I/O connector pin as your external scan timebase.

On DSA devices, **scanTimebase** is ignored. Use `DAQ_Set_Clock` to set the scan rate.

**scanInterval** indicates the length of the scan interval (that is, the amount of time that elapses between the initiation of each scan sequence). NI-DAQ scans all channels in the scan sequence at the beginning of each scan interval.

Range: 0 or 2 through 65,535.

On DSA devices, **scanInterval** is ignored. Use `DAQ_Set_Clock` to set the scan rate.

If **scanInterval** equals zero, the time that elapses between A/D conversions and the time that elapses between scan sequences are both equal to the sample interval. That is, as soon as the scan sequence has completed, NI-DAQ restarts one sample interval later. Another advantage of setting **scanInterval** to 0 is that this frees the scan-interval counter (counter 2) for other operations such as waveform generation or general-purpose counting (non-E Series devices only).

The scan interval is a function of the scan timebase resolution. The actual scan interval in seconds is determined by the following formula:

$$\text{scanInterval} * (\text{scan timebase resolution})$$

where the scan timebase resolution is equal to one of the values of **scanTimebase** as indicated above. For example, if **scanInterval** = 100 and **scanTimebase** = 2, the scan interval is  $100 * 10 \mu\text{s} = 1 \text{ ms}$ . This number must be greater than or equal to the sum of the total sample interval + 2  $\mu\text{s}$  for most devices. The scan interval for the AT-MIO-16X must be at least 11  $\mu\text{s}$  longer than the total sample interval. The scan interval for the AT-MIO-16F-5 and AT-MIO-64F-5 must be externally controlled, at least 6  $\mu\text{s}$  longer than the total sample interval. If the scan interval is to be controlled by pulses applied to the OUT2 signal, NI-DAQ ignores this parameter (**extConv** = 2 or 3, see `DAQ_Config`).



**Note**

*The E Series and the MIO-F-5/16X devices support external control of the sample interval even when you use interval scanning. For the MIO-16/16D, if the sample interval is to be controlled externally by pulses applied to the EXTCONV\* input,*

*you cannot control the scan interval externally. In this case, NI-DAQ scans the channels repeatedly as fast as you apply the external conversion pulses.*


**Note**

*Simultaneous sampling devices ignore parameters for **sampTimebase** and **sampInterval**. These devices sample all channels simultaneously. The acquisition rate is controlled by **scanTimebase** and **scanInterval**; therefore, a **scanInterval** value of 0 is not allowed.*

## Using This Function

SCAN\_Start initializes the Mux-Gain Memory table to point to the start of the scan sequence as specified by SCAN\_Setup. If you did not specify external sample-interval timing by the DAQ\_Config call, NI-DAQ sets the sample-interval counter to the specified **sampInterval** and **sampTimebase**, sets the scan-interval counter to the specified **scanInterval** and **scanTimebase**, and sets up the sample counter to count the number of samples acquired and to stop the data acquisition process when the number of samples acquired equals **count**. If you have specified external sample-interval timing, the data acquisition circuitry relies on pulses received on the EXTCONV\* input to initiate individual A/D conversions. In this case, NI-DAQ scans the channels repeatedly as fast as you apply the external conversion pulses.

SCAN\_Start initializes a background data acquisition process to handle storing of A/D conversion samples into the buffer as NI-DAQ acquires them. When you use posttrigger mode (with pretrigger mode disabled), the process stores up to **count** A/D conversion samples into the buffer and ignores any subsequent conversions. NI-DAQ stores the acquired samples into the buffer with the channel scan sequence data interleaved; that is, the first sample is the conversion from the first channel, the second sample is the conversion from the second channel, and so on.

You cannot make the second call to SCAN\_Start without terminating this background data acquisition process. If a call to DAQ\_Check returns **daqStopped** = 1, the samples are available and NI-DAQ terminates the process. In addition, a call to DAQ\_Clear terminates the background data acquisition process. Notice that if a call to DAQ\_Check returns an error code of **overflowError** or **overRunError**, or **daqStopped** = 1, the process is automatically terminated and there is no need to call DAQ\_Clear.

If you enable pretrigger mode, SCAN\_Start initiates a cyclical acquisition that continually fills the buffer with data, wrapping around to the start of the buffer once NI-DAQ has written to the entire buffer. When you apply the signal at the stop trigger input, SCAN\_Start acquires an additional number of samples specified by the **ptsAfterStoptrig** parameter in DAQ\_StopTrigger\_Config and then terminates. Be aware that a scan sequence always completes. Therefore, NI-DAQ always obtains the most recent data point from the final channel in the scan sequence. When you enable pretrigger mode, the length of the buffer, which is greater than or equal to **count**, should be an integral multiple of **numChans**. If you observed this rule, a sample from the first channel in the scan sequence always resides at **index** = 0 in the buffer.

If you have selected external start triggering of the data acquisition operation, a high-to-low edge at the STARTTRIG\* I/O connector input on the MIO-16/16D, or the EXTTRIG\* connector on the MIO-F-5/16X initiates the data acquisition operation after the SCAN\_Start call is complete. Otherwise, SCAN\_Start issues a software trigger to initiate the data acquisition operation before returning.



**Note** *If your application calls DAQ\_Start or SCAN\_Start, always ensure that you call DAQ\_Clear before your application terminates and returns control to the operating system. Unless you make this call (either directly, or indirectly through DAQ\_Check or DAQ\_DB\_Transfer), unpredictable behavior can result.*

You must use the SCAN\_Setup and SCAN\_Start functions as a pair. Making a single call to SCAN\_Setup with multiple calls to SCAN\_Start will fail and return error **noSetupError**.

If you have an SC-2040 connected to your DAQ device, NI-DAQ will ignore the **sampTimebase** and **sampInterval** parameters. NI-DAQ automatically supplies these parameters to optimally match your hardware.

If you select **sampTimebase** = 0 and **scanTimebase** = 0, you must use the same source for both. This requirement is enforced on most MIO devices through hardware because you connect both timebases to the SOURCE5 I/O connector pin. On E Series devices, if you use the Select\_Signal function to specify the source of an external sample and external scan timebase, you must specify the same source for both timebases.

## SCAN\_to\_Disk

---

### Format

**status = SCAN\_to\_Disk (deviceNumber, numChans, chans, gains, filename, count, sampleRate, scanRate, concat)**

### Purpose

Performs a synchronous, multiple-channel scanned data acquisition operation and simultaneously saves the acquired data in a disk file. `SCAN_to_Disk` does not return until all the data has been acquired and saved or an acquisition error has occurred (MIO and AI devices only).

### Parameters

#### Input

Name	Type	Description
<b>deviceNumber</b>	i16	assigned by configuration utility
<b>numChans</b>	i16	number of channels
<b>chans</b>	[i16]	list of channels
<b>gains</b>	[i16]	list of gain settings
<b>filename</b>	STR	name of the data file
<b>count</b>	u32	number of samples
<b>sampleRate</b>	f64	desired sample rate in pts/s
<b>scanRate</b>	f64	desired scan rate in scans/s
<b>concat</b>	i16	enables concatenation of existing file

### Parameter Discussion

**numChans** is the number of channels listed in **chansArray**.

Range: 1 through 16.

1 through 512 for the E Series devices, AT-MIO-16F-5, AT-MIO-64F-5, and AT-MIO-16X.

1 through *n* for PCI-6110E, PCI-6111E, and DSA devices, where *n* is the number of physical channels onboard.

**chans** is an integer array of a length not less than **numChans** that contains the onboard channel scan sequence to be used. **chans** can contain any analog input channel number in any order. For channel number ranges, refer to Table B-1 in Appendix B, *Analog Input Channel, Gain Settings, and Voltage Calculation*. For example, if **numChans** = 4 and if **chans**[1] = 7, the second channel to be scanned is analog input channel 7, and NI-DAQ scans four analog input channels.



**Note** *The channels contained in the chans array refer to the onboard channel numbers.*

If you use one or more external multiplexer devices (AMUX-64Ts), with any MIO or AI device except the MIO-64, the total number of channels scanned equals (four-to-one multiplexer) \* (number of onboard channels scanned) \* (number of external multiplexer devices), or the total number of channels scanned equals  $(4) * (\mathbf{numChans}) * (\mathit{num\_mux\_brds})$ . For example, if you use one AMUX-64T and scan eight onboard channels, the total number of channels scanned equals  $(4) * (8) * (1) = 32$ .

If you use one or more external multiplexer devices (AMUX-64Ts) with the MIO-64, the total number of channels scanned equals  $(4) * (\mathbf{numChans1}) * (\mathit{num\_mux\_brds}) + \mathbf{numChans2}$ , where:

- 4 represents a four-to-one multiplexer.
- **numChans1** is the number of onboard channels (of an MIO or AI connector) scanned.  
Range: 0 through 7 differential, 0 through 15 single-ended.
- *num\_mux\_brds* is the number of external multiplexer devices.
- **numChans2** is the number of onboard channels (of an analog connector) scanned.  
Range: 0 through 23 differential, 0 through 48 single-ended.

If you use SCXI, you must scan the analog input channels on the DAQ device that corresponds to the SCXI channels you want. You should select the SCXI scan list using *SCXI\_SCAN\_Setup* before you call this function. Refer to the *NI-DAQ User Manual for PC Compatibles* for more information on SCXI channel assignments.

**gains** is an integer array of a length not less than **numChans** that contains the gain setting to be used for each channel in the scan sequence selected in **chans**. NI-DAQ applies the gain value contained in **gains**[*n*] to the channel number contained in **chans**[*n*] when the function scans that channel. This gain setting applies only to the DAQ device; if you use SCXI, you must establish any gain you want at the SCXI module either by setting jumpers on the module or by calling *SCXI\_Set\_Gain*. Refer to Appendix B, *Analog Input Channel, Gain Settings, and Voltage Calculation*, for valid gain settings. If you use an invalid gain, NI-DAQ returns an error.

**count** is the number of samples to be acquired (that is, the number of A/D conversions to be performed). The length of your data file should be exactly twice the value of **count**. If you have previously enabled pretrigger mode (by a call to `DAQ_StopTrigger_Config`), NI-DAQ ignores the **count** parameter.

Range: 3 through  $2^{32} - 1$  (except the E Series).  
2 through  $2^{24}$  (E Series). For PCI-611X devices, count must be EVEN.

**sampleRate** is the sample rate you want in units of pts/s. This is the rate at which channels are sampled within a scan sequence.

Range: Roughly 0.00153 pts/s through 500,000 pts/s.

**scanRate** is the scan rate you want in units of scans/s. This is the rate at which NI-DAQ performs scans. NI-DAQ performs a scan each time the function samples all the channels listed in the scan sequence.

Range: 0 and roughly 0.00153 scans/s through 500,000 scans/s. A value of zero means that there is no delay between scans and that the effective **scanRate** is **sampleRate/numChans**.

**concat** enables concatenation of data to an existing file. Regardless of the value of **concat**, if the file does not exist, NI-DAQ creates the file.

- 0: Overwrite file if it exists.
- 1: Concatenate new data to an existing file.

## Using This Function

`SCAN_to_Disk` initiates a synchronous process of acquiring A/D conversion samples and storing them in a disk file. The maximum rate varies according to the type of device you have and the speed and degree of fragmentation of your disk storage device. `SCAN_to_Disk` does not return control to your application until NI-DAQ acquires and saves all the samples you want (or until an acquisition error occurs). When you use posttrigger mode (with pretrigger mode disabled), the process stores **count** A/D conversions in the file and ignores any subsequent conversions.



### Note

*If you have selected external start triggering of the data acquisition operation, a high-to-low edge at the STARTTRIG\* I/O connector of the MIO-16 and AT-MIO-16D, or the EXTTRIG\* connector of the AT-MIO-16F-5, AT-MIO-64F-5, and AT-MIO-16X initiates the data acquisition operation. If you are using all E Series devices, see the `Select_Signal` function for information about the external timing signals. Be aware that if you do not apply the start trigger, `SCAN_to_Disk` does not return control to your application. Otherwise, `SCAN_to_Disk` issues a software trigger to initiate the data acquisition operation.*

If you have enabled pretrigger mode, the sample counter does not begin counting acquisitions until you apply a signal at the stop trigger input. Until you apply this signal, the acquisition continues to write data into the disk file. NI-DAQ ignores the value of the **count** parameter

when you enable pretrigger mode. If you do not apply the stop trigger, SCAN\_to\_Disk eventually returns control to your application because you eventually run out of disk space.

In any case, you can use Timeout\_Config to establish a maximum length of time for SCAN\_to\_Disk to execute.



**Note**

*Simultaneous sampling devices do not use the sampleRate parameter. Because these devices use simultaneous sampling of all channels the scanRate parameter controls the acquisition rate; therefore, a scanRate of 0 is not allowed.*

## SCXI\_AO\_Write

---

### Format

**status = SCXI\_AO\_Write (SCXIchassisID, moduleSlot, channel, opCode, rangeCode, voltCurrentData, binaryData, binaryWritten)**

### Purpose

Sets the DAC channel on the SCXI-1124 module to the specified voltage or current output value. You can also use this function to write a binary value directly to the DAC channel, or to translate a voltage or current value to the corresponding binary value.

### Parameters

#### Input

Name	Type	Description
<b>SCXIchassisID</b>	i16	chassis ID number
<b>moduleSlot</b>	i16	module slot number
<b>channel</b>	i16	the DAC channel of the module to write to
<b>opCode</b>	i16	type of data
<b>rangeCode</b>	i16	the voltage/current range to be used
<b>voltCurrentData</b>	f64	voltage or current to be produced at the channel
<b>binaryData</b>	i16	binary value to be written to the DAC

#### Output

Name	Type	Description
<b>binaryWritten</b>	i16	actual binary value written to the DAC

### Parameter Discussion

**channel** is the number of the analog output channels on the module.

Range: 0 to 5.

**opCode** specifies the type of data to write to the DAC channel. You can also use **opCode** to tell `SCXI_AO_Write` to translate a voltage or current value and return the corresponding binary pattern in **binaryWritten** without writing anything to the module.

- 0: Write a voltage or current to **channel**.
- 1: Write a binary value directly to **channel**.



- 2: Translate a voltage or current value to binary, return in **binaryWritten**.

**rangeCode** is the voltage or current range to be used for the analog output channel.

- 0: 0 to 1 V.
- 1: 0 to 5 V.
- 2: 0 to 10 V.
- 3: -1 to 1 V.
- 4: -5 to 5 V.
- 5: -10 to 10 V.
- 6: 0 to 20 mA.

**voltCurrentData** is the voltage or current you want to produce at the DAC channel output. If **opCode** = 1, NI-DAQ ignores this parameter. If **opCode** = 2, this is the voltage or current value you want to translate to binary. If the value is out of range for the given **rangeCode**, `SCXI_AO_Write` returns an error.

**binaryData** is the binary value you want to write directly to the DAC. If **opCode** is not 1, NI-DAQ ignores this parameter.

Range: 0 to 4,095

**binaryWritten** returns the actual binary value that NI-DAQ wrote to the DAC.

`SCXI_AO_Write` uses a formula given later in this section using calibration constants that are stored on the module EEPROM to calculate the appropriate binary value that will produce the given voltage or current. If **opCode** = 1, **binaryWritten** is equal to **binaryData**. If **opCode** = 2, `SCXI_AO_Write` calculates the binary value but does not write anything to the module.

## Using This Function

`SCXI_AO_Write` uses the following equation to translate voltage or current values to binary:

$$B_w = B_l + (V_w - V_l) * (B_h - B_l) / (V_h - V_l)$$

where

$B_l$  = binary value that produces the low value of the range

$B_h$  = binary value that produces the high value of the range

$V_h$  = high value of the range

$V_l$  = low value of the range

$V_w$  = desired voltage or current

$B_w$  = the binary value which will generate  $V_w$

NI-DAQ loads a table of calibration constants from the SCXI-1124 EEPROM load area. The calibration table contains values for  $B_l$  and  $B_h$  for each channel and range.

The SCXI-1124 is shipped with a set of factory calibration constants in the factory-set EEPROM area and a copy of the factory constants in the EEPROM load area. You can recalibrate your module and store your own calibration constants in the EEPROM load area using the `SCXI_Cal_Constants` function. Refer to the `SCXI_Cal_Constants` function description for calibration procedures and information about the module EEPROM.

If you want to write a binary value directly to the output channel, use `opCode = 1`. `SCXI_AO_Write` will not use the calibration constants or the conversion formula; it will simply write your **binaryData** value to the DAC.

## SCXI\_Cal\_Constants

---

### Format

**status = SCXI\_Cal\_Constants (SCXIchassisID, moduleSlot, channel, opCode, calibrationArea, rangeCode, SCXIgain, DAQboard, DAQchan, DAQgain, TBgain, scaled1, binary1, scaled2, binary2, calConst1, calConst2)**

### Purpose

Calculates calibration constants for the given channel and range or gain using measured input value/binary pairs. You can use this with any SCXI analog input or analog output module. The constants can be stored and retrieved from NI-DAQ memory or the module EEPROM (if your module has an EEPROM). The driver uses the calibration constants to more accurately scale analog input data when you use the `SCXI_Scale` function and output data when you use `SCXI_AO_Write`.

### Parameters

#### Input

Name	Type	Description
<b>SCXIchassisID</b>	i16	SCXI chassis ID number
<b>moduleSlot</b>	i16	SCXI module slot number
<b>channel</b>	i16	analog input or output channel number
<b>opCode</b>	i16	operation to perform with the calibration constants
<b>calibrationArea</b>	i16	where to store or retrieve constants
<b>rangeCode</b>	i16	the voltage/current range for the analog output channel
<b>SCXIgain</b>	f64	gain setting for the SCXI analog input channel
<b>DAQboard</b>	i16	device number of DAQ device used to acquire <b>binary1</b> and <b>binary2</b>
<b>DAQchan</b>	i16	DAQ device channel number used when acquiring <b>binary1</b> and <b>binary2</b>
<b>DAQgain</b>	i16	DAQ device gain code used when acquiring <b>binary1</b> and <b>binary2</b>

Name	Type	Description
<b>TBgain</b>	f64	SCXI terminal block gain, if any
<b>scaled1</b>	f64	voltage/current/frequency corresponding to <b>binary1</b>
<b>binary1</b>	f64	binary value corresponding to <b>scaled1</b>
<b>scaled2</b>	f64	voltage/current/frequency corresponding to <b>binary2</b>
<b>binary2</b>	f64	binary value corresponding to <b>scaled2</b>

## Output

Name	Type	Description
<b>calConst1</b>	f64	return calibration constant
<b>calConst2</b>	f64	return calibration constant

## Parameter Discussion

**channel** is the number of the channel on the module.

Range: 0 to  $n-1$ , where  $n$  is the number of channels available on the module.

- 1: All channels on the module. For instance, the SCXI-1100 and SCXI-1122 modules have one amplifier for all channels, so calibration constants for those modules apply to all the module channels.
- 2: The voltage (**calConst2**) and current excitation channels (**calConst1**) on the module. This is valid for the SCXI-1122 only, and only when **opCode** = 0.

**opCode** specifies the type of calibration operation to be performed.

- 0: Retrieve calibration constants for the given channel and range or gain from **calibrationArea** and return them in **calConst1** and **calConst2**.
- 1: Perform a one-point offset calibration calculation using (**scaled1**, **binary1**) for the given channel and gain and write calibration constants to **calibrationArea** (SCXI analog input modules only).
- 2: Perform a two-point calibration calculation using (**scaled1**, **binary1**) and (**scaled2**, **binary2**) for the given channel and range or gain and write calibration constants to **calibrationArea**.
- 3: Write the calibration constants passed in **calConst1** and **calConst2** to **calibrationArea** for the given channel and range or gain.
- 4: Copy the entire calibration table in **calibrationArea** to the module EEPROM default load area so that it will be loaded automatically into NI-DAQ memory during subsequent application runs (SCXI-1122, SCXI-1124, SCXI-1126, and SCXI-1141 only).

- 5: Copy the entire calibration table in **calibrationArea** to driver memory so NI-DAQ can use the table in subsequent scaling operations in the current NI-DAQ session (SCXI-1122, SCXI-1124, SCXI-1126, and SCXI-1141 only).

**calibrationArea** is the location NI-DAQ uses for the calibration constants. Read the following *Using This Function* section for an explanation of the calibration table stored in NI-DAQ memory and the SCXI-1122, SCXI-1124, SCXI-1126, and SCXI-1141 EEPROM organization.

- 0: NI-DAQ memory. NI-DAQ maintains a calibration table in memory for use in scaling operations for the module.
- 1: Default EEPROM load area. NI-DAQ also updates the calibration table in memory when you write to the default load area (SCXI-1122, SCXI-1124, SCXI-1126, and SCXI-1141 only)
- 2: Factory-set EEPROM area. You cannot write to this area, but you can read or copy from it (SCXI-1122, SCXI-1124, SCXI-1126, and SCXI-1141 only).
- 3: User EEPROM area (SCXI-1122, SCXI-1124, SCXI-1126, and SCXI-1141 only).

**rangeCode** is the voltage or current range of the analog output channel. NI-DAQ only uses this parameter for SCXI analog output modules.

- 0: 0 to 1 V.
- 1: 0 to 5 V.
- 2: 0 to 10 V.
- 3: -1 to 1 V.
- 4: -5 to 5 V.
- 5: -10 to 10 V.
- 6: 0 to 20 mA.

**SCXIgain** is the SCXI module or channel gain/range setting. NI-DAQ only uses this parameter for analog input modules. Valid **SCXIgain** values depend on the module type:

SCXI-1100: 1, 2, 5, 10, 20, 50, 100, 200, 500, 1,000, 2,000.

SCXI-1120: 1, 2, 5, 10, 20, 50, 100, 200, 250, 500, 1,000, 2,000.

SCXI-1120D: 0.5, 1, 2.5, 5, 10, 25, 50, 100, 250, 500, 1,000.

SCXI-1121: 1, 2, 5, 10, 20, 50, 100, 200, 250, 500, 1,000, 2,000.

SCXI-1122: 0.01, 0.02, 0.05, 0.1, 0.2, 0.5, 1, 2, 5, 10, 20, 50, 100, 200, 500, 1,000, 2,000.

SCXI-1126: 250, 500, 1,000, 2,000, 4,000, 8,000, 16,000, 32,000, 64,000, 128,000.

SCXI-1140: 1, 10, 100, 200, 500.

SCXI-1141: 1, 2, 5, 10, 20, 50, 100.

**DAQboard** is the DAQ device you are using with this SCXI module. This applies only when **opCode** = 0, 1, 2, or 3 and **moduleSlot** is an analog input module. Otherwise, set to 0.

**DAQchan** is the analog input channel of **DAQboard** that you are using with this SCXI module. If you have only one chassis connected to **DAQboard** and **moduleSlot** is in multiplexed mode, **DAQchan** should be 0. **calConst1** will be scaled by the current input

range and polarity settings for this channel. This applies only when **opCode** = 0, 1, 2, or 3 and **moduleSlot** is an analog input module. Otherwise, set to 0.

**DAQgain** is the gain setting for **DAQchan**. It is used to scale **calConst1** (binary offset). This applies only when **opCode** = 0, 1, 2, or 3 and **moduleSlot** is an analog input module. Otherwise, set to 0.

**TBgain** is the terminal block gain applied to the SCXI channel, if any. Currently, the SCXI-1327 terminal block is the only terminal block that applies gain to your SCXI channels. The SCXI-1327 has switches that you use to select either a gain of 1.0 or a gain of 0.01. You can use this terminal block with an SCXI-1120, SCXI-1120D, or SCXI-1121 module. For terminal blocks that do not apply gain to your SCXI channels, set **TBgain** = 1.0.

**scaled1, binary1** is the measured input value/binary pair you have taken for the given channel and range or gain. If the module is analog output, **scaled1** is the voltage or current you measured at the output channel after writing the binary value **binary1** to the output channel.

If the module is analog input, **binary1** is the binary value you read from the input channel with a known voltage of **scaled1** applied at the input. The **binary1** parameter is floating point, so you can take multiple binary readings from **scaled1** and average them to be more accurate and reduce the effects of noise.

**scaled2, binary2** is a second measured input value/binary pair you have taken for the given channel and range or gain. If the module is analog output, **scaled2** is the voltage or current you measured when NI-DAQ wrote the binary value **binary2** to the output channel. If the module is analog input, **binary2** is the binary reading from the input channel with a known voltage of **scaled2** applied at the input.

**calConst1** is the first calibration constant. For analog output modules, **calConst1** is the binary value that will generate the voltage/current/frequency. For analog input modules, **calConst1** is the binary zero offset; that is, the binary reading that would result from an input value of zero. The offset is stored as a voltage and must be scaled to a binary value. It is scaled based on **DAQgain** and the current configuration of **DAQchan** (polarity and input range). If **opCode** = 1 or 2, **calConst1** is a return value calculated from the input value/binary pairs. If **opCode** = 0, **calConst1** is a return constant retrieved from the **calibrationArea**. If **opCode** = 0 and **channel** = -2, **calConst1** is the actual voltage excitation value returned in units of volts. If **opCode** = 3, you should pass your first calibration constant in **calConst1** for NI-DAQ to store in **calibrationArea**.

**calConst2** is the second calibration constant. For analog output modules, **calConst2** is the binary value that generates the voltage/current/frequency. For analog input modules, **calConst2** is the gain adjust factor; that is, the ratio of the real gain to the ideal gain setting. If **opCode** = 1 or 2, **calConst2** is a return value calculated from the input value/binary pairs. If **opCode** = 0, **calConst2** is a return constant retrieved from the **calibrationArea**. If **opCode** = 0 and **channel** = -2, **calConst2** is the actual current excitation value returned in units of

milliamperes. If **opCode** = 3, you should pass your second calibration constant in **calConst2** for NI-DAQ to store in **calibrationArea**.



**Note** *C Programmers*—**calConst1** and **calConst2** are pass-by-reference parameters.

## Using This Function

### Analog Input Calibration

When you call `SCXI_Scale` to scale binary analog input data, NI-DAQ uses the binary offset and gain adjust calibration constants loaded for the given module, channel, and gain setting to scale the data to voltage or frequency. Refer to the `SCXI_Scale` function description for the equations used.

By default, NI-DAQ loads calibration constants for the SCXI-1122, SCXI-1126, and SCXI-1141 from the module EEPROM (see the *EEPROM Organization* section later in this function for more information). The SCXI-1141 has only gain adjust constants in the EEPROM and does not have binary zero offset in the EEPROM. All other analog input modules have no calibration constants by default; NI-DAQ assumes no binary offset and ideal gain settings for those modules *unless* you use the following procedure to store calibration constants for your module.

You can determine calibration constants based specifically on your application setup, which includes your type of DAQ device, your DAQ device settings, and your cable assembly, all combined with your SCXI module and its configuration settings.



**Note** *NI-DAQ stores constants in a table for each SCXI module gain setting. If your module has independent gains on each channel, NI-DAQ stores constants for each channel at each gain setting. When you use the following procedure, you are also calibrating for your DAQ device settings, so you must use the same DAQ device settings whenever you use the new calibration constants. The SCXI-1122, SCXI-1126, and SCXI-1141 factory-set EEPROM constants apply only to the SCXI-1122, SCXI-1126, and SCXI-1141 amplifiers, respectively, so you can use those with any DAQ device setup.*

To perform a two-point analog input calibration, perform the following steps:

1. If you are using an AT-MIO-16F-5, AT-MIO-64F-5, or AT-MIO-16X device, you should calibrate your ADC first using the `MIO_Calibrate` function.
2. Make sure the SCXI gain is set to the gain you will be using in your application. If you are using an SCXI-1100, SCXI-1122, SCXI-1126, or SCXI-1141, you can use the `SCXI_Set_Gain` function, because those modules have software-programmable gain. For other analog input modules, you need to set gain jumpers or DIP switches appropriately.
3. Use `SCXI_Single_Chan_Setup` to program the module for a single-channel operation (as opposed to a channel scanning operation).

4. Ground your SCXI input channel. If you are using an SCXI-1100, SCXI-1122, or SCXI-1141, you can use the `SCXI_Calibrate_Setup` function to internally ground the module amplifier inputs. For other analog input modules, you need to wire the positive and negative channel inputs together at the terminal block.
5. Take several readings using the DAQ functions and average them for greater accuracy. You should use the DAQ device gain/range settings you will be using in your application. If you are using an AT-MIO-16F-5, AT-MIO-64F-5, or AT-MIO-16X, you can enable dither using the `MIO_Config` function to make your averaging more accurate. You should average over an integral number of 60 Hz or 50 Hz power line cycles to eliminate line noise.

You now have your first input value/binary pair: **scaled1** = 0.0, and **binary1** is your binary reading or binary average.

6. Now apply a known, stable, non-zero input value to your input channel at the terminal block. Preferably, your input value should be close to the upper limit of your input range for the given gain setting.
7. Take another binary reading or average. If your binary reading is the maximum binary reading for your DAQ device, you should try a smaller input value. This is your second input value/binary pair: **scaled2** and **binary2**.
8. Call `SCXI_Cal_Constants` with your two input value/binary pairs and **opCode** = 2. Make sure you pass the correct **SCXIgain** you used and pass the gain code you used in `AI_Read` or `DAQ_Op` in the **DAQgain** parameter.

If you are using an SCXI-1122, SCXI-1126, or SCXI-1141, you can save the constants in the module EEPROM (**calibrationArea** = 1 or 3). Refer to the [EEPROM Organization](#) section later in this function for information about constants in the EEPROM. It is best to use **calibrationArea** = 3 (user EEPROM area) as you are calibrating, and then call `SCXI_Cal_Constants` again at the end of your calibration sequence with **opCode** = 4 to copy your EEPROM area to the default EEPROM load area. That way there will be two copies of your new constants, and you can revert to the factory constants using **opCode** = 4 without wiping out your new constants entirely.

For other analog input modules, you must specify **calibrationArea** = 0 (NI-DAQ memory). Unfortunately, calibration constants stored in NI-DAQ memory will be lost at the end of the current NI-DAQ session. You might want to create a file and save the constants returned in **calConst1** and **calConst2** so that you can load them again in subsequent application runs using `SCXI_Cal_Constants` with **opCode** = 3.

Any subsequent calls to `SCXI_Scale` for the given module, channel, and gain setting will use the new calibration constants when scaling. You can repeat steps 2 through 8 for any other channel or gain settings you want to calibrate.

You can use a different input value for the first measurement instead of grounding the input channel. For instance, if you know you will be using a specific input value range, you might



use the endpoints of your expected input range as **scaled1** and **scaled2**. Then you would be specifically calibrating your expected input voltage range.

If you are using an SCXI-1100, SCXI-1122, SCXI-1126, or SCXI-1141, you can perform a one-point calibration to determine the binary offset; you can do this easily without external hookups using the `SCXI_Calibrate_Setup` function to internally ground the amplifier. Use the procedure above, skipping steps 6 and 7, and using `opCode = 1` for the `SCXI_Cal_Constants` function.

If you are storing calibration constants in the SCXI-1122, SCXI-1126, or SCXI-1141 EEPROM, your binary offset and gain adjust factors must not exceed the ranges given in the respective module user manuals. The constant format in the EEPROM does not allow for larger constants. If your constants exceed these specifications, the function returns **badExtRefError**. If this error occurs, you should make sure your **SCXIgain**, **DAQgain**, and **TBgain** values are the actual settings you used to measure the volt/binary pairs, and you might want to recalibrate your DAQ device, if applicable.

## Analog Output Calibration

When you call `SCXI_AO_Write` to output a voltage or current to your SCXI-1124 module, NI-DAQ uses the calibration constants loaded for the given module, channel, and output range to scale the voltage or current value to the appropriate binary value to write to the output channel. By default, NI-DAQ will load calibration constants into memory for the SCXI-1124 from the module EEPROM load area (see the [EEPROM Organization](#) section for more information).

You can recalibrate your SCXI-1124 module to create your own calibration constants using the following procedure:

1. Use the `SCXI_AO_Write` function with `opCode = 1`. If you are calibrating a voltage output range, pass the parameter `binaryData = 0`. If you are calibrating the 0 to 20 mA current output range (`rangeCode = 6`), pass the parameter `binaryData = 255`.
2. Measure the output voltage or current at the output channel with a voltmeter. This is your first volt/binary pair: `binary1 = 0` or `255` and `volt1` is the voltage or current you measured at the output.
3. Use the `SCXI_AO_Write` function with `opCode = 1` to write the `binaryData = 4,095` to the output DAC.
4. Measure the output voltage or current at the output channel. This is your second volt/binary pair: `binary2 = 4,095` and `volt2` is the voltage or current you measured at the output.
5. Call `SCXI_Cal_Constants` with your voltage/binary pairs and `opCode = 2`. You can save the constants on the module EEPROM (`calibrationArea = 1` or `3`). Refer to the following [EEPROM Organization](#) section for information about constants in the EEPROM. It is best to use `calibrationArea = 3` (user EEPROM area) as you are

calibrating, and then call `SCXI_Cal_Constants` again at the end of your calibration sequence with `opCode = 4` to copy the user EEPROM area to the default load area. That way there will be two copies of your new constants and you can revert to the factory constants using `opCode = 4` without wiping out your new constants entirely.

Repeat the procedure above for each channel and range you want to calibrate. Subsequent calls to `SCXI_AO_Write` will use your new constants to scale voltage or current to the correct binary value.

### EEPROM Organization

The SCXI-1122, SCXI-1124, SCXI-1126, and SCXI-1141 modules have an onboard EEPROM to handle storage of calibration constants. The EEPROM is divided into the following three areas:

- The **factory area** is shipped with a set of factory calibration constants; you cannot write into the factory area, but you can read from it.
- The **default load area** is where NI-DAQ automatically looks to load calibration constants the first time you access the module during an NI-DAQ session using an NI-DAQ function call, such as `SCXI_Reset`, `SCXI_Single_Chan_Setup`, or `SCXI_AO_Write`. When the module is shipped, the default load area contains a copy of the factory calibration constants. When you write to the default load area using `SCXI_Cal_Constants`, NI-DAQ also updates the constants in NI-DAQ memory.
- The **user area** is an area for you to store your own calibration constants that you calculate by following the instructions above and using the `SCXI_Cal_Constants` function. You can also put a copy of your own constants in the default load area if you want NI-DAQ to automatically load your constants for subsequent NI-DAQ sessions.

## SCXI\_Calibrate\_Setup

---

### Format

**status = SCXI\_Calibrate\_Setup (SCXIchassisID, moduleSlot, calOp)**

### Purpose

Used to ground the amplifier inputs of an SCXI-1100, SCXI-1122, or SCXI-1141 so that you can determine the amplifier offset. You can also use this function to switch a shunt resistor across your bridge circuit to test the circuit. Shunt calibration is supported for the SCXI-1122 or SCXI-1121 modules with the SCXI-1321 terminal block.

### Parameters

#### Input

Name	Type	Description
<b>SCXIchassisID</b>	i16	logical ID assigned to the SCXI chassis
<b>moduleSlot</b>	i16	chassis slot number
<b>calOp</b>	i16	calibration mode

### Parameter Discussion

**calOp** indicates the calibration mode you want.

- 0: Disable calibration.
- 1: Connect the positive and negative inputs of the SCXI-1100, SCXI-1122, or SCXI-1141 amplifier together and to analog reference.
- 2: Switch the shunt resistors across the bridge circuit on the SCXI-1121 (Revision C or later) or SCXI-1122.

### Using This Function

The zero offset of the SCXI-1100, SCXI-1122, or SCXI-1141 amplifiers varies with the module gain. When you know the offset at a specific gain setting, you can add that offset to any readings acquired at that gain. In general, the procedure for determining the offset at a particular gain is as follows:

1. **SCXI\_Single\_Chan\_Setup**—Enable the module output, route the module output on the SCXIbus if necessary, and resolve any SCXIbus contention if necessary. For the SCXI-1100 and SCXI-1122, the module channel you specify is irrelevant.
2. **SCXI\_Set\_Gain**—Set the module gain to the setting that you will use in your application.
3. **SCXI\_Calibrate\_Setup**—Ground the amplifier inputs.

4. Acquire data using the DAQ functions; you should acquire and average many samples. If you have enabled the filter on the module, wait for the amplifier to settle after calling `SCXI_Calibrate_Setup` before you acquire data. Refer to your SCXI-1100, SCXI-1122, or SCXI-1141 user manuals for settling times caused by filter settings.
5. `SCXI_Calibrate_Setup`—Disable calibration.
6. Continue with your application. Whenever you acquire samples from the module at the gain that you chose in step 2, subtract the binary offset that you read in step 4 from each sample before scaling the data, or call `SCXI_Cal_Constants` to store the offset in NI-DAQ memory or the EEPROM. Then, subsequent calls to `SCXI_Scale` for the given gain will automatically subtract the offset for you. Refer to the `SCXI_Cal_Constants` function for more information.

Refer to your SCXI-1321 or SCXI-1122 user manuals for information about how the module applies the shunt resistor when **calOp** = 2.

The SCXI-1141 has a separate amplifier for each channel, so you will have to repeat the above procedure for each channel you wish to calibrate.

## SCXI\_Change\_Chan

---

### Format

**status = SCXI\_Change\_Chan (SCXIchassisID, moduleSlot, moduleChan)**

### Purpose

Selects a new channel of a multiplexed module that you have previously set up for a single-channel analog input operation using the `SCXI_Single_Chan_Setup` function.

### Parameters

#### Input

Name	Type	Description
<b>SCXIchassisID</b>	i16	logical ID assigned to the SCXI chassis
<b>moduleSlot</b>	i16	chassis slot number of the module
<b>moduleChan</b>	i16	channel number

### Parameter Discussion

**moduleChan** is the channel number of the new input channel on the module that is to be read.

Range: 0 to  $n-1$ , where  $n$  is the number of input channels on the module.

- 1: Set up to read the temperature sensor on the terminal block connected to the module if the temperature sensor is in the MTEMP configuration.

### Using This Function

It is important to realize that this function affects only the channel selection on the module. It does not affect the module output enable or any analog signal routing on the SCXIbus; the `SCXI_Single_Chan_Setup` function is required to do that. `SCXI_Change_Chan` can be very useful in applications like those shown in Chapter 3, *Software Overview*, of the *NI-DAQ User Manual for PC Compatibles*, especially when you are trying to read several channels on a module in a loop at relatively high speeds. However, you will need to call `SCXI_Single_Chan_Setup` again to select a channel on a different module.

## SCXI\_Configure\_Filter

---

### Format

**status = SCXI\_Configure\_Filter (chassisID, moduleSlot, channel, filterMode, freq, cutoffDivDown, outClkDivDown, actualFreq)**

### Purpose

Configures the filter on any SCXI module that supports programmable filter settings. Currently, only the SCXI-1122, SCXI-1126, and SCXI-1141 have programmable filter settings; the other analog input modules have hardware-selectable filters.

### Parameters

#### Input

Name	Type	Description
<b>chassisID</b>	i16	chassis ID number
<b>moduleSlot</b>	i16	chassis slot number of the module
<b>channel</b>	i16	module channel
<b>filterMode</b>	i16	filter configuration mode
<b>freq</b>	f64	filter cutoff frequency
<b>cutoffDivDown</b>	u16	external signal divisor for cutoff frequency
<b>outClkDivDown</b>	u16	clock signal divisor to send to OUTCLK

#### Output

Name	Type	Description
<b>actualFreq</b>	f64	actual filter cutoff frequency

### Parameter Discussion

**channel** is the module channel for which you want to change the filter configuration. If **channel = -1**, `SCXI_Configure_Filter` changes the filter configuration for all channels on the module.

**filterMode** indicates the filter configuration mode for the given **channel**.

- 0: Bypass the filter.
- 1: Set filter cutoff frequency to **freq**.

- 2: Configure the filter to use an external signal. The module divides the external signal by **cutoffDivDown** to determine the filter cutoff frequency. The module also divides the external signal by **outClkDivDown** and sends it to the module front connector OUTCLK pin. You can use this filter mode to configure a tracking filter. You can use this mode only with the SCXI-1141.
- 3: Enable the filter (the reverse of **filterMode** 0).

**freq** is the cutoff frequency you want to select from the frequencies available on the module if **filterMode** = 1.

The SCXI-1122 has two possible cutoff frequencies:

4.0:            -10 dB at 4 Hz  
4,000.0:       -3 dB at 4 kHz

The SCXI-1126 has four possible cutoff frequencies (1 Hz, 40 Hz, 320 Hz, and 1 kHz), which attenuate at -80 dB.

The SCXI-1141 has a range of cutoff frequencies from 10 Hz to 25 kHz.

`SCXI_Configure_Filter` produces the frequency you want as closely as possible by dividing an internal 10 MHz signal on the SCXI-1141. The function returns the exact cutoff frequency produced in the output parameter **actualFreq**.

If **filterMode** = 2, set **freq** to the *approximate* frequency of the external signal you are using. Chapter 2 of the *SCXI-1141 User Manual* explains the impact of different signal frequencies on the filters.

If **filterMode** = 0 or 3, NI-DAQ ignores **freq**.

**cutoffDivDown** is an integer by which the module divides the external signal to determine the filter cutoff frequency when **filterMode** = 2. NI-DAQ ignores this parameter if **filterMode** is not 2.

Range:    2 to 65,535

**outClkDivDown** is an integer by which the module divides either the internal 10 MHz signal (if **filterMode** = 1) or the external signal (if **filterMode** = 2) to send back to the module front connector OUTCLK pin. This parameter is only used for the SCXI-1141.

Range:    2 to 65,535

**actualFreq** returns the actual cutoff frequency that the module uses.

## Using this Function

The SCXI-1122 has one filter setting applied to all channels on the module; therefore, you must set **channel** = -1. The SCXI-1122 only works with **filterMode** = 1; you cannot configure the SCXI-1122 to bypass the filter or to use an external signal to set the cutoff frequency. The default frequency setting for the SCXI-1122 is 4 Hz.

The SCXI-1126 has eight filter settings, one for each channel. These settings only work with **filterMode** = 1. The default frequency setting for the SCXI-1126 is 1 Hz.

The SCXI-1141 also has one filter setting applied to all channels, so you must use **channel** = -1 when you select a cutoff frequency for that module. After you select the cutoff frequency for the entire module, you can configure one or more of the channels to enable the filter by calling `SCXI_Configure_Filter` again for each channel and setting **filterMode** = 3. By default, all the channel filters on the SCXI-1141 are bypassed.



## SCXI\_Get\_Chassis\_Info

---

### Format

**status = SCXI\_Get\_Chassis\_Info (SCXIchassisID, chassisType, chassisAddress, commMode, commPath, numSlots)**

### Purpose

Returns chassis configuration information.

### Parameters

#### Input

Name	Type	Description
<b>SCXIchassisID</b>	i16	logical ID assigned to the SCXI chassis

#### Output

Name	Type	Description
<b>chassisType</b>	i16	type of SCXI chassis
<b>chassisAddress</b>	i16	hardware jumpered address of an SCXI-1001 chassis
<b>commMode</b>	i16	communication mode
<b>commPath</b>	i16	communication path
<b>numSlots</b>	i16	number of plug-in module slots

### Parameter Discussion

**chassisType** indicates what type of SCXI chassis is configured for the given **SCXIchassisID**.

- 0: SCXI-1000 4-slot chassis.
- 1: SCXI-1001 12-slot chassis.
- 2: SCXI-2000 4-slot remote chassis.
- 3: VXI-SC-1000 carrier module.
- 4: PXI-1010 chassis.

**chassisAddress** is the hardware-jumpered address of an SCXI chassis.

Range: 0 to 31 (SCXI-1000, SCXI-1001, VXI-SC-1000, and PXI-1010).  
 0 to 255 (SCXI-2000 or SCXI chassis with SCXI-2400 module).

**commMode** is the Communication mode that will be used when the driver communicates with the SCXI chassis and modules.

- 0: Communication mode is disabled. In effect, the chassis is disabled.
- 1: Serial communication is enabled through a digital port of a DAQ device that is cabled to a module in the chassis.
- 2: Serial communication is enabled over the PC parallel port that is cabled to the SCXI-1200 module.
- 3: Serial communication is enabled over the PC serial port that is cabled to one or more SCXI-2000 chassis or SCXI-2400 modules.
- 4: Serial communication is enabled over the VXI backplane.
- 5: Serial communication is enabled through a digital port of a DAQ device internally connected to the SCXibus of a PXI-1010 chassis.

**commPath** is the communication path that will be used when the driver communicates with the SCXI chassis and modules. If **commMode** = 1, 2, 4, or 5, **commPath** should be the device number of the DAQ device that is the designated communicator for the chassis. If **commMode** = 3, **commPath** is the serial port for this chassis. When **commMode** = 0, **commPath** is meaningless.

**numSlots** is the number of plug-in module slots in the SCXI chassis.

- 4: For the SCXI-1000, SCXI-2000, and PXI-1010 chassis.
- 12: For the SCXI-1001 chassis.
- 24: For the VXI-SC-1000 carrier module.



**Note**

*C Programmers—chassisType, chassisAddress, commMode, commPath, and numSlots are pass-by-reference parameters.*

## SCXI\_Get\_Module\_Info

---

### Format

**status = SCXI\_Get\_Module\_Info (SCXIchassisID, moduleSlot, modulePresent, operatingMode, DAQdeviceNumber)**

### Purpose

Returns configuration information for the given chassis slot number.

### Parameters

#### Input

Name	Type	Description
<b>SCXIchassisID</b>	i16	logical ID assigned to the SCXI chassis
<b>moduleSlot</b>	i16	chassis slot number

#### Output

Name	Type	Description
<b>modulePresent</b>	i32	type of module present in given slot
<b>operatingMode</b>	i16	multiplexed or parallel mode
<b>DAQdeviceNumber</b>	i16	device number of the DAQ device that is cabled to the module

### Parameter Discussion

**modulePresent** indicates what type of module is present in the given slot.

- 1: Empty slot; there is no module present in the given slot.
- 1: SCXI-1126.
- 2: SCXI-1121.
- 4: SCXI-1120.
- 6: SCXI-1100.
- 8: SCXI-1140.
- 10: SCXI-1122.
- 12: SCXI-1160.
- 14: SCXI-1161.
- 16: SCXI-1162.
- 18: SCXI-1163.
- 20: SCXI-1124.

24: SCXI-1162HV.  
 28: SCXI-1163R.  
 30: SCXI-1102.  
 32: SCXI-1141.  
 38: SCXI-1200.  
 40: SCXI-2400.  
 42: VXI-SC-1102  
 44: VXI-SC-1150  
 68: SCXI-1120D.

Any other value returned in the **modulePresent** parameter indicates that an unfamiliar module is present in the given slot.

**operatingMode** indicates whether the module present in the given slot is being operated in Multiplexed or Parallel mode. Refer to Chapter 13, *SCXI Hardware*, in the *DAQ Hardware Overview Guide* for an explanation of each operating mode. If the slot is empty, **operatingMode** is meaningless.

- 0: Multiplexed operating mode.
- 1: Parallel operating mode.

**DAQdeviceNumber** is the device number of the DAQ device in the PC that is cabled directly to the module present in the given slot. If the slot is empty, **DAQdeviceNumber** is meaningless.

- 0: No DAQ device is cabled to the module.
- $n$ , where  $n$  is the device number of the DAQ device cabled to the module.

If the **moduleSlot** contains an SCXI-1200, **DAQdeviceNumber** is the logical device number of the SCXI-1200. If the **moduleSlot** contains an SCXI-2400, **DAQdeviceNumber** is 0.



**Note** *C Programmers*—**modulePresent**, **operatingMode**, and **DAQdeviceNumber** are *pass-by-reference parameters*.

## SCXI\_Get\_State

---

### Format

**status = SCXI\_Get\_State (SCXIChassisID, moduleSlot, port, channel, data)**

### Purpose

Gets the state of a single channel or an entire port on a digital or relay SCXI module.

### Parameters

#### Input

Name	Type	Description
<b>SCXIChassisID</b>	i16	chassis ID number
<b>moduleSlot</b>	i16	module slot number
<b>port</b>	i16	port of the module to write to (all current modules support only Port 0)
<b>channel</b>	i16	channel of the specified port to read from

#### Output

Name	Type	Description
<b>data</b>	u32	Contains data read from a single channel or a digital pattern for an entire port

### Parameter Discussion

**port** is the port number of the module to be read from. Currently, all of the SCXI modules support only Port 0.

**channel** is the channel number on the specified port.

*n*: Read from a single channel.

SCXI-1160:  $0 \leq n < 16$ .

SCXI-1161:  $0 \leq n < 8$ .

SCXI-1162:  $0 \leq n < 32$ .

SCXI-1162HV:  $0 \leq n < 32$ .

SCXI-1163:  $0 \leq n < 32$ .

SCXI-1163R:  $0 \leq n < 32$ .

-1: Read the state pattern from an entire port.

When **channel** = -1, **data** contains the pattern of an entire port. Bit 0 corresponds to the state of channel 0 in the port, and the states of the other channels are represented in ascending order in **data** so that bit *n* corresponds to channel *n*. If the port is less than 32 bits wide, the unused bits in **data** are set to zero.

When **channel** = *n*, the least significant bit (LSB) (bit 0) of **data** contains the state of channel *n* on the specified port.

For relay modules, a 0 bit indicates that the relay is closed or in the normally closed position, and a 1 indicates that the module is open or in the normally open position. For SCXI digital modules, a 0 bit indicates that the line is low, and a 1 bit indicates that the line is high.



**Note** For a discussion of the NC and NO positions, see your SCXI module user manual.



**Note** C Programmers—**data** is a pass-by-reference parameter.

## Using This Function

The SCXI-1160 is a latching module; in other words, the module powers up with its relays in the position they were left at power down. Thus, at the beginning of an NI-DAQ application, there is no way to know the states of the relays. The driver will retain the state of a relay as soon as a hardware write takes place.

The SCXI-1161 is a nonlatching module and powers up with its relays in the NC position. After you call `SCXI_Load_Config` or `SCXI_Set_Config`, an actual hardware write to the relays must take place before the driver can obtain the state information of the relays, just like the SCXI-1160. You can call `SCXI_Reset` to do this.

The SCXI-1163 and 1163R are optocoupler output modules with 32 digital output channels and 32 solid state relay channels, respectively. NI-DAQ can read the states of the module only if the module is jumper configured and operating in Parallel mode. When operating in Serial or Multiplexed mode, the driver retains the states of the digital output lines in memory. Consequently, a hardware write must take place before the driver can obtain the states of the module.

You should call `SCXI_Reset` after a call to `SCXI_Set_Config` or `SCXI_Load_Config` for the SCXI-1160, SCXI-1161, SCXI-1163, and SCXI-1163R modules.

Remember that only on the SCXI-1162, SCXI-1163, SCXI-1162HV, and SCXI-1163R in Parallel mode does NI-DAQ read the states from hardware. On both the SCXI-1160 and SCXI-1161, the driver keeps a software copy of the relay states in memory.

## SCXI\_Get\_Status

---

### Format

**status** = SCXI\_Get\_Status (SCXIChassisID, moduleSlot, wait, data)

### Purpose

Reads the data in the Status Register on the specified module. This function supports the SCXI-1160, VXI-SC-1102, SCXI-1102, SCXI-1122, SCXI-1124, and SCXI-1126 modules.

### Parameters

#### Input

Name	Type	Description
SCXIChassisID	i16	chassis ID number
moduleSlot	i16	module slot number
wait	i16	determines if the function should poll the Status Register, until timeout, for the SCXI module to become ready

#### Output

Name	Type	Description
data	u32	contains the contents of the Status Register

### Parameter Discussion

**wait** determines if the function should poll the Status Register on the module until either the module is ready or timeout is reached. If the module is not ready by timeout, NI-DAQ returns a timeout error.

- 1: The function will poll the Status Register on the module, until ready or timeout.
- 0: The function will read and return the Status Register on the module.

**data** contains the contents of the Status Register.

- 0: Indicates that the module is busy. Do not perform any further operations on the modules until the status bit goes high again. This value means the SCXI-1122 or SCXI-1160 relays are still switching or the SCXI-1124 DACs are still settling.
- 1: Indicates that the module is ready. The SCXI-1122 or SCXI-1160 relays are finished switching or the SCXI-1124 DACs have settled.



#### Note

**C Programmers**—**data** is a *pass-by-reference* parameter.

## Using This Function

If **wait** = 1, the function will wait a maximum of 100 ms (or 3 seconds for the SCXI-1126) for the module status to be ready. If, while polling the Status Register, a timeout occurs, the output parameter **data** returns the current value of the Status Register.

The SCXI-1160, SCXI-1102, VXI-SC-1102, SCXI-1122, SCXI-1126, and SCXI-1124 Status Registers contain only one bit, so only the least significant bit of the data parameter is meaningful.



## SCXI\_Load\_Config

---

### Format

**status = SCXI\_Load\_Config (SCXIchassisID)**

### Purpose

Loads the SCXI chassis configuration information that you established in the configuration utility. Sets the software states of the chassis and the modules present to their default states. This function makes no changes to the hardware state of the SCXI chassis or modules.

### Parameters

#### Input

Name	Type	Description
<b>SCXIchassisID</b>	i16	logical ID assigned to the SCXI chassis

### Using This Function

It is important to realize that this function makes no changes to the hardware. To reset the hardware to its default state, you should use the `SCXI_Reset` function. Refer to the `SCXI_Reset` function description for a listing of the default states of the chassis and modules.

It is possible to change the configuration programmatically that you established in the configuration utility using the `SCXI_Set_Config` function.

## SCXI\_ModuleID\_Read

---

### Format

**status = SCXI\_ModuleID\_Read (SCXIchassisID, moduleSlot, ModuleID)**

### Purpose

Reads the Module ID register of the SCXI module in the given slot.

### Parameters

#### Input

Name	Type	Description
SCXIchassisID	i16	logical ID assigned to the SCXI chassis
moduleSlot	i16	SCXI module slot number

#### Output

Name	Type	Description
moduleID	i32	module ID read from the given slot

### Parameter Discussion

**moduleID** is the value read from the Module ID register on the module. The module ID has the same numeric values as the **modulePresent** parameter of the `SCXI_Get_Module_Info` function.

-1 or 0: The communication path most likely is broken (for example, the chassis is powered off, a cable is not connected, the wrong cable adapter has been installed, or wrong jumper settings made), or there is no module present in that slot.

- 1: SCXI-1126.
- 2: SCXI-1121.
- 4: SCXI-1120.
- 6: SCXI-1100.
- 8: SCXI-1140.
- 10: SCXI-1122.
- 12: SCXI-1160.
- 14: SCXI-1161.
- 16: SCXI-1162.
- 18: SCXI-1163.
- 20: SCXI-1124.
- 24: SCXI-1162HV.
- 28: SCXI-1163R.

30: SCXI-1102.  
32: SCXI-1141.  
38: SCXI-1200.  
40: SCXI-2400.  
42: VXI-SC-1102.  
44: VXI-SC-1150.  
68: SCXI-1120D.

## Using This Function

The principal difference between this function and `SCXI_Get_Module_Info` is that this function does a hardware read of the module. In contrast, `SCXI_Get_Module_Info` returns the module type stored by the NI-DAQ Configuration Utility.

You can use `SCXI_ModuleID_Read` to verify that your SCXI system is configured and communicating properly. For example, a call to this function at the beginning of your program ensures that the SCXI chassis is powered on, the SCXI cable is properly connected, and the module in `moduleSlot` matches the module type configured by the NI-DAQ Configuration Utility. `SCXI_ModuleID_Read` returns a positive status code of **SCXIModuleTypeConflictError** if the module ID read does not match the configured module type.



### Note

*Saving your SCXI configuration in the NI-DAQ Configuration Utility also reads the module ID from the SCXI module being saved and reports an error if the module ID read and the module type being configured do not match. The Test button on the SCXI Devices tab reads the module IDs of all configured modules and verifies that all the module IDs read from the chassis match the configured module types.*

## SCXI\_MuxCtr\_Setup

---

### Format

**status = SCXI\_MuxCtr\_Setup (deviceNumber, enable, scanDiv, ctrValue)**

### Purpose

Enables or disables a DAQ device counter to be used as a multiplexer counter during SCXI channel scanning to synchronize the DAQ device scan list with the module scan list that NI-DAQ has downloaded to Slot 0 of the SCXI chassis.

### Parameters

#### Input

Name	Type	Description
<b>deviceNumber</b>	i16	assigned by configuration utility
<b>enable</b>	i16	whether to enable counter 1 to be a mux counter
<b>scanDiv</b>	i16	whether the mux counter will divide the scan clock
<b>ctrValue</b>	u16	value to be programmed into the mux counter

### Parameter Discussion

**enable** indicates whether to enable a device counter to be a mux counter for subsequent SCXI channel scanning operations.

- 0: Disable the mux counter; the device counter is freed.
- 1: Enable the device counter to be a mux counter.

**scanDiv** indicates whether the mux counter will divide the scan clock during the acquisition.

- 0: The mux counter does not divide the scan clock; it simply pulses after every  $n$  mux-gain entry on the DAQ device, where  $n$  is the **ctrValue**. The mux counter pulses are currently not used by the SCXI chassis or modules, so this mode is not useful.
- 1: The mux counter divides the scan clock so that  $n$  conversions are performed for every mux-gain entry on the DAQ device, where  $n$  is the **ctrValue**.

**ctrValue** is the value NI-DAQ will program into the mux counter. If **enable** = 1 and **scanDiv** = 1, **ctrValue** is the number of conversions NI-DAQ will perform on each mux-gain entry on the DAQ device. If **enable** = 0, NI-DAQ ignores this parameter.

## Using This Function

You can use this function to synchronize the scan list that NI-DAQ has loaded into the mux-gain memory of the DAQ device and the SCXI module scan list that NI-DAQ has loaded into Slot 0 of the SCXI chassis. The total number of samples to be taken in one pass through each scan list should be the same. Am9513-based MIO devices use counter 1 as the mux counter. The Lab and 1200 Series and E Series devices have a dedicated mux counter.

For example, for the following scan lists, a **ctrValue** of 8 causes NI-DAQ to take eight samples for each MIO or AI scan list entry. The first two entries in the module scan list will occur during the first entry of the MIO or AI scan list, at an MIO or AI gain of 5. The third module scan list entry will occur during the second entry of the MIO or AI scan list, at an MIO or AI gain of 10. Thus, NI-DAQ uses the **ctrValue** here to distribute different MIO or AI gains across the module scan list, as well as to make the scan list lengths equal at 16 samples each.

**Table 2-33.** SCXI Module Scan List

Module	Number of Samples
2	4
3	4
4	8

**Table 2-34.** MIO or AI Scan List

Module	Number of Samples	Channel	Gain
2	4	0	5
3	4	0	10
4	8	—	—

Another example would use the same module scan list in the preceding table, but use as MIO or AI scan list with only one entry for channel 0. In this case, a **ctrValue** of 16 would be appropriate.

## SCXI\_Reset

---

### Format

`status = SCXI_Reset (SCXIchassisID, moduleSlot)`

### Purpose

Resets the specified module to its default state. You can also use `SCXI_Reset` to reset the Slot 0 scanning circuitry or to reset the entire chassis.

### Parameters

#### Input

Name	Type	Description
<b>SCXIchassisID</b>	i16	logical ID assigned to the SCXI chassis
<b>moduleSlot</b>	i16	chassis slot number of the module

### Parameter Discussion

**moduleSlot** is the chassis slot number of the module that is to be reset.

Range: 1 to  $n$ , where  $n$  is the number of slots in the chassis.

- 0: Reset Slot 0 of the chassis by resetting the module scan list and scanning circuitry. If this is a remote SCXI chassis, Slot 0 is rebooted and it will take a few seconds for this call to return because it waits for the chassis to finish booting and attempts to reestablish communication with the chassis.
- 1: Reset all modules present in the chassis and reset Slot 0.

### Using This Function

The default states of the SCXI modules are as follows:

- SCXI-1100 and SCXI-1122:
  - Module gain = 1.
  - Module filter = 4 Hz (SCXI-1122 only).
  - Channel 0 is selected.
  - Multiplexed channel scanning is disabled.
  - Module output is enabled if the module is cabled to a DAQ device.
  - Calibration is disabled.

- SCXI-1120, SCXI-1120D, SCXI-1121, and SCXI-1140:
  - If the module is operating in Multiplexed mode:
    - Channel 0 is selected.
    - Multiplexed channel scanning is disabled.
    - Module output is enabled if the module is cabled to a DAQ device.
    - Hold count is 1.
  - If the module is operating in Parallel mode:
    - All channels are enabled.
    - Track/hold signal is disabled.
- SCXI-1124:
  - Sets the voltage range for each channel to 0 to 10 V. Writes a binary 0 to each DAC.
- SCXI-1126:
  - Module range = 250 Hz
  - Module filter = 1 Hz
- SCXI-1141:
  - If the module is in Multiplexed mode:
    - Channel 0 is selected.
    - Amplifier gains = 1.
    - Filters are bypassed.
    - MUXed scanning is disabled.
    - Module output is enabled if module is cabled to a DAQ device.
    - Autozeroing is disabled.
  - If the module is in Parallel mode:
    - All channels are enabled.
    - Amplifier gains = 1.
    - Filters are bypassed.
    - Autozeroing is disabled.
- SCXI-1160:
  - Sets the current state information of relays in memory to unknown. No hardware write takes place.
- SCXI-1161:
  - Initializes all of the relays on the module to the Normally Closed position. It also updates the software copy of the status maintained by the driver.

- SCXI-1163:  
Initializes all of the digital output lines on the module to a logical high state.
- SCXI-1163R:  
Initializes all of the solid state relays to their open states.
- SCXI-1200:  
Sets channel 0 to read from the front panel 50-pin connector and not the SCXIbus.  
Use `Init_DA_Brds` to completely initialize the hardware and software state of the SCXI-1200.
- SCXI-2400:  
Reboots the module. It will take a few seconds for this call to return because it waits for the module to finish booting and attempts to reestablish communication with the module.



## SCXI\_Scale

---

### Format

**status = SCXI\_Scale (SCXIchassisID, moduleSlot, channel, SCXIgain, TBgain, DAQboard, DAQchannel, DAQgain, numPoints, binArray, scaledArray)**

### Purpose

Scales an array of binary data acquired from an SCXI channel to voltage or frequency. `SCXI_Scale` uses stored software calibration constants if applicable for the given module when it scales the data. The SCXI-1122, SCXI-1126, and SCXI-1141 have default software calibration constants loaded from the module EEPROM; all other analog input modules have no software calibration constants unless you follow the analog input calibration procedure outlined in the `SCXI_Cal_Constants` function description.

### Parameters

#### Input

Name	Type	Description
<b>SCXIchassisID</b>	i16	SCXI chassis ID number
<b>moduleSlot</b>	i16	SCXI module slot number
<b>channel</b>	i16	SCXI channel from which the data was acquired
<b>SCXIgain</b>	f64	SCXI gain or range setting for the channel
<b>TBgain</b>	f64	gain applied at SCXI terminal block, if any
<b>DAQboard</b>	i16	device number of the DAQ device that acquired the data
<b>DAQchannel</b>	i16	onboard DAQ channel used in the acquisition
<b>DAQgain</b>	i16	DAQ device gain used in the acquisition
<b>numPoints</b>	u32	number of data points to scale
<b>binArray</b>	[i16]	binary data returned from acquisition

#### Output

Name	Type	Description
<b>scaledArray</b>	[f64]	array of scaled data

## Parameter Discussion

**channel** is the number of the channel on the SCXI module.

Range: 0 to  $n-1$ , where  $n$  is the number of channels available on the module.

-1: Scale data acquired from the temperature sensor on the terminal block connected to the module if the temperature sensor is in the MTEMP configuration.

**SCXIgain** is the SCXI module or channel gain or range setting. Valid **SCXIgain** values depend on the module type:

SCXI-1100: 1, 2, 5, 10, 20, 50, 100, 200, 500, 1,000, 2,000.

SCXI-1120: 1, 2, 5, 10, 20, 50, 100, 200, 250, 500, 1,000, 2,000.

SCXI-1120D: 0.5, 1, 2.5, 5, 10, 25, 50, 100, 250, 500, 1000.

SCXI-1121: 1, 2, 5, 10, 20, 50, 100, 200, 250, 500, 1,000, 2,000.

SCXI-1122: 0.01, 0.02, 0.05, 0.1, 0.2, 0.5, 1, 2, 5, 10, 20, 50, 100, 200, 500, 1,000, 2,000.

SCXI-1126: 250, 500, 1,000, 2,000, 4,000, 8,000, 16,000, 32,000, 64,000, 128,000.

SCXI-1140: 1, 10, 100, 200, 500.

SCXI-1141: 1, 2, 5, 10, 20, 50, 100.

**TBgain** is the gain applied at the SCXI terminal block. Currently, only the SCXI-1327 terminal block can apply gain to your SCXI module channels; it has DIP switches to choose a gain of 1.0 or 0.01 for each input channel. You can use the SCXI-1327 with the SCXI-1120, SCXI-1120D, and SCXI-1121 modules. For terminal blocks that do not apply gain to your SCXI channels, set **TBgain** = 1.0.

**DAQboard** is the device number of the DAQ device you used to acquire the binary data. This should be the same device number that you passed to the DAQ or SCAN function call, and the same **DAQboard** number you passed to SCXI\_Single\_Chan\_Setup or SCXI\_SCAN\_Setup.

**DAQchannel** is the DAQ device channel number you used to acquire the binary data. This should be the same channel number that you passed to the DAQ or SCAN function call. For most cases, you will be multiplexing all of your SCXI channels into DAQ device channel 0.

**DAQgain** is the DAQ device gain you used to acquire the binary data. This should be the same gain code that you passed to the DAQ or SCAN function call. For most cases, you will use a DAQ device gain of 1, and you will set any gain you need at the SCXI module.

**numPoints** is the number of data points you want to scale for the given channel. The **binArray** and **voltArray** parameters must be arrays of a length greater than or equal to **numPoints**. If you acquired data from more than one SCXI channel, you must be careful to pass the number of points for this channel only, not the total number of points you acquired from *all* channels.

**binArray** is the array of binary data for the given channel. **binArray** should contain **numPoints** data samples from the SCXI channel. If you acquired data from more than one SCXI channel, you need to demultiplex the binary data that was returned from the SCAN call before you call SCXI\_Scale. You can use the SCAN\_Demux call to do this. After demuxing the binary data, you should call SCXI\_Scale once for *each* SCXI channel, passing in the appropriate demuxed binary data for each channel.

**scaledArray** is the output array for the scaled voltage or frequency data. **scaledArray** should be at least **numPoints** elements long.

## Using This Function

SCXI\_Scale uses the following equation to scale the binary data to voltage:

$$\text{scaledArray}[i] = \frac{(\text{binArray}[i] - \text{binaryOffset})(\text{voltageResolution})}{(\text{SCXIgain})(\text{TBgain})(\text{DAQgain})(\text{gainAdjust})}$$

The SCXI-1126 scales the binary array to frequency, using the following equation:

$$\text{scaledArray}[i] = \frac{[(\text{SCXI gain})(\text{binArray}) - \text{binaryOffset}](\text{voltageResolution})}{\{(5 \text{ volts})(\text{DAQgain})(\text{gainAdjust})\}}$$

The **voltage resolution** depends on your DAQ device and its range and polarity settings. For example, the AT-MIO-16 in bipolar mode with an input range of -10 to 10 V has a voltage resolution of 4.88 mV per LSB.

NI-DAQ automatically loads *binaryOffset* and *gainAdjust* for the SCXI-1122 and SCXI-1126 for all of its gain settings from the module EEPROM. The SCXI-1122 and SCXI-1126 module is shipped with factory calibration constants for *binaryOffset* and *gainAdjust* loaded in the EEPROM. You can calculate your own calibration constants and store them in the EEPROM and in NI-DAQ memory for SCXI\_Scale to use. Refer to the procedure outlined in the SCXI\_Cal\_Constants function description. The same is true for the SCXI-1141, except *binaryOffset* is not on the SCXI-1141 EEPROM and defaults to 0.0. However, you can calculate your own *binaryOffset* using the procedure outlined in the SCXI\_Cal\_Constants function description.

For other analog input modules, *binaryOffset* defaults to 0.0 and *gainAdjust* defaults to 1.0. However, you can calculate your own calibration constants and store them in NI-DAQ memory for NI-DAQ to use in the SCXI\_Scale function by following the procedure outlined in the SCXI\_Cal\_Constants function description.

## SCXI\_SCAN\_Setup

---

### Format

**status = SCXI\_SCAN\_Setup (SCXIchassisID, numModules, moduleList, numChans, startChans, DAQdeviceNumber, modeFlag)**

### Purpose

Sets up the SCXI chassis for a multiplexed scanning data acquisition to be performed by the given DAQ device. You can scan modules in any order; however, you must scan channels on each module in consecutive order. The function downloads a module scan list to Slot 0 in the SCXI chassis that will determine the sequence of modules to be scanned and how many channels on each module NI-DAQ will scan. NI-DAQ programs each module with its given start channel and resolves any contention on the SCXIbus.

### Parameters

#### Input

Name	Type	Description
<b>SCXIchassisID</b>	i16	logical ID assigned to the SCXI chassis
<b>numModules</b>	i16	number of modules to be scanned
<b>moduleList</b>	[i16]	list of module slot numbers
<b>numChans</b>	[i16]	how many channels to scan on each module
<b>startChans</b>	[i16]	contains the start channels for each module
<b>DAQdeviceNumber</b>	i16	the DAQ device that will be performing the channel scanning
<b>modeFlag</b>	i16	scanning mode to be used

### Parameter Discussion

**numModules** is the number of modules to be scanned, and the length of the **moduleList**, **numChans**, and **startChans** arrays.

Range: 1 to 256.

**moduleList** is an array of length **numModules** containing the list of module slot numbers corresponding to the modules to be scanned.

Range: **moduleList**[i] = 1 to *n*, where *n* is the number of slots in the chassis.

Any value in the **moduleList** array that is greater than the number of slots available in the chassis (such as a value of 15 or 16) can act as a dummy entry in the module scan list. Dummy entries are very useful in multichassis scanning operations to indicate in the module scan list when the MIO or AI is scanning channels on another chassis.

**numChans** is an array of length **numModules** that indicates how many channels to scan on each module represented in the **moduleList** array. If the number of channels specified for a module exceeds the number of input channels available on the module, the channel scanning will wrap around after the last input channel and continue with the first input channel. If a module is represented more than once in the **moduleList** array, there can be different **numChans** values for each entry. For the SCXI-1200, this parameter depends entirely on its corresponding **startChans** value.

Range: **numChans**[i] = 1 to 128.

**startChans** is an array of length **numModules** that contains the start channels for each module represented in the **moduleList** array. If a module is represented more than once in the **moduleList** array, the corresponding elements in the **startChans** array should contain the same value; *there can only be one start channel for each module*.

**startChans**[i] = 0 to n-1, where n is the number of input channels available on the corresponding module, selects the indicated channel as the lowest scanned channel. NI-DAQ will scan a total of **numChans** successive channels starting with this channel, on the module represented by **moduleList**[i].

(SCXI-1102 and VXI-SC-1102 only)—**startChans**[i] =  $c + \text{ND\_CJ\_TEMP}$ , where  $c$  is a channel number as described above, selects scanning of the temperature sensor on the terminal block, followed by successive channels beginning with  $c$ . NI-DAQ will scan the temperature sensor and then a total of **numChans**-1 successive channels starting with channel  $c$ , for a total of **numChans** readings on the module represented by **moduleList**[i].

**startChans**[i] = -1 selects only the temperature sensor on the terminal block; no channels are scanned.

Keep in mind that if you use -1 to select the temperature sensor, all readings from that module will be readings of the temperature sensor only; channel scanning is not possible.

**DAQdeviceNumber** is the device number of the DAQ device that will perform the channel scanning operation. If you are using the SCXI-1200 to perform the data acquisition, you should specify the module logical device number.

**modeFlag** indicates the scanning mode to be used. Only one scanning mode is currently supported, so you should always set this parameter to zero.

## SCXI\_Set\_Config

---

### Format

**status = SCXI\_Set\_Config (SCXIchassisID, chassisType, chassisAddress, commMode, commPath, numSlots, modulesPresent, operatingModes, connectionMap)**

### Purpose

Changes the software configuration of the SCXI chassis that you established in the configuration utility. Sets the software states of the chassis and the modules specified to their default states. This function makes no changes to the hardware state of the SCXI chassis or modules.



**Note** *You cannot use this function to configure a chassis that contains an SCXI-1200.*

### Parameters

#### Input

Name	Type	Description
<b>SCXIchassisID</b>	i16	logical ID assigned to the SCXI chassis
<b>chassisType</b>	i16	type of SCXI chassis
<b>chassisAddress</b>	i16	hardware-jumpered address
<b>commMode</b>	i16	communication mode used
<b>commPath</b>	i16	communication path used
<b>numSlots</b>	i16	number of plug-in module slots
<b>modulesPresent</b>	[i32]	type of module present in each slot
<b>operatingModes</b>	[i16]	the operating mode of each module
<b>connectionMap</b>	[i16]	describes the connections between the SCXI chassis and the DAQ devices

### Parameter Discussion

**chassisType** indicates what type of SCXI chassis is configured for the given **SCXIchassisID**.

- 0: SCXI-1000 4-slot chassis.
- 1: SCXI-1001 12-slot chassis.
- 2: SCXI-2000 (remote SCXI)

- 3: VXI-SC-1000 carrier module.
- 4: PXI-1010 chassis.

**chassisAddress** is the hardware jumpered address of an SCXI chassis.

Range: 0 to 31.

**commMode** is the communication mode that will be used when the driver communicates with the SCXI chassis and modules.

- 0: Communication mode is disabled. In effect, this disables the chassis.
- 1: Enables serial communication through a digital port of a DAQ device that is cabled to a module in the chassis.
- 2: Enables serial communication through the parallel port cabled to an SCXI-1200 in the chassis.
- 4: Enables serial communication over the VXI backplane.
- 5: Enables serial communication through a digital port of a DAQ device internally connected to the SCXIbus of a PXI-1010 chassis.

**commPath** is the communication path that will be used when the driver communicates with the SCXI chassis and modules. When **commMode** = 1, 2, 4, or 5, set the path to the device number of the DAQ device that is the designated communicator for the chassis. If only one DAQ device is connected to the chassis, set **commPath** to the device number of that device. If more than one DAQ device is connected to modules in the chassis, you must designate one device as the communicator device, and you should set its device number to **commPath**. If **commMode** is 1 or 2, refer to the **connectionMap** array description; you should set **commPath** to one of the device numbers specified in that array. When **commMode** = 0, NI-DAQ ignores **commPath**.

**numSlots** is the number of plug-in module slots in the SCXI chassis.

- 4: For the SCXI-1000 and PXI-1010 chassis.
- 12: For the SCXI-1001 chassis.

**modulesPresent** is an array of length **numSlots** that indicates what type of module is present in each slot. The first element of the array corresponds to slot 1 of the chassis, and so on.

- 1: Empty slot; there is no module present in the corresponding slot.
- 1: SCXI-1126.
- 2: SCXI-1121.
- 4: SCXI-1120.
- 6: SCXI-1100.
- 8: SCXI-1140.
- 10: SCXI-1122.
- 12: SCXI-1160.
- 14: SCXI-1161.
- 16: SCXI-1162.
- 18: SCXI-1163.
- 20: SCXI-1124.

- 24: SCXI-1162HV.
- 28: SCXI-1163R.
- 30: SCXI-1102.
- 32: SCXI-1141.
- 42: VXI-SC-1102.
- 44: VXI-SC-1150.
- 68: SCXI-1120D.

Any other value for an element of the **modulesPresent** array indicates that a module that is unfamiliar to NI-DAQ (such as a custom-built module) is present in the corresponding slot.

**operatingModes** is an array of length **numSlots** that indicates the operating mode of each module in the **modulesPresent** array—multiplexed or parallel. Refer to Chapter 13, *SCXI Hardware*, of the *DAQ Hardware Overview Guide* for an explanation of each operating mode. If any of the slots are empty (indicated by a value of -1 in the corresponding element of the **modulesPresent** array), NI-DAQ ignores the corresponding element in the **operatingModes** array.

- 0: Multiplexed operating mode.
- 1: Parallel operating mode.
- 2: Parallel operating mode using the secondary connector of the DAQ device.

**connectionMap** is an array of length **numSlots** that describes the connections between the SCXI chassis and the DAQ devices in the PC. For each module present in the chassis, you must specify the device number of the DAQ device that is cabled to the module, if there is one. For the SCXI-1200 module, you should specify the logical device number of the module. If any of the slots are empty (indicated by a value of -1 in the corresponding element of the **modulesPresent** array), NI-DAQ ignores the corresponding element of the **connectionMap** array. The **commPath** parameter value must be one of the DAQ device numbers specified in this array.

- 0: No DAQ device is cabled to the module.
- $n$ : where  $n$  is the device number of the DAQ device cabled to the module.

## Using This Function

The configuration information that was saved to disk by the configuration utility will remain unchanged; this function changes only the configuration in the current application. Any subsequent calls to `SCXI_Load_Config` will reload the configuration from the configuration utility.

Remember, the hardware state of the chassis is not affected by this function; you should use the `SCXI_Reset` function to reset the hardware states. Refer to the `SCXI_Reset` function description for a listing of the default states of the chassis and modules.



## SCXI\_Set\_Gain

---

### Format

**status = SCXI\_Set\_Gain (SCXIchassisID, moduleSlot, channel, gain)**

### Purpose

Sets the specified channel to the given gain or range setting on any SCXI module that supports programmable gain settings. Currently, the SCXI-1100, SCXI-1102, VXI-SC-1102, SCXI-1122, SCXI-1126, and SCXI-1141 have programmable gains; the other analog input modules have hardware-selectable gains.

### Parameters

#### Input

Name	Type	Description
<b>SCXIchassisID</b>	i16	chassis ID number
<b>moduleSlot</b>	i16	module slot number
<b>channel</b>	i16	module channel
<b>gain</b>	f64	gain or range setting

### Parameter Discussion

**channel** is the module channel you want to change the gain or range setting for. If **channel** = -1, SCXI\_Set\_Gain changes the gain or range for all channels on the module. The SCXI-1100 and SCXI-1122 have one gain amplifier, so all channels have the same gain setting; therefore, you must set **channel** = -1 for those modules.

**gain** is the gain or range setting you want to use. Notice that **gain** is a double-precision floating point parameter. Valid gain settings depend on the module type:

SCXI-1100: 1, 2, 5, 10, 20, 50, 100, 200, 500, 1,000, 2,000.

SCXI-1102/VXI-SC-1102: 1, 100.

SCXI-1122: 0.01, 0.02, 0.05, 0.1, 0.2, 0.5, 1, 2, 5, 10, 20, 50, 100, 200, 500, 1,000, 2,000.

SCXI-1126: 250, 500, 1,000, 2,000, 4,000, 8,000, 16,000, 32,000, 64,000, 128,000.

SCXI-1141: 1, 2, 5, 10, 20, 50, 100.

## SCXI\_Set\_Input\_Mode

---

### Format

**status = SCXI\_Set\_Input\_Mode (SCXIchassisID, moduleSlot, inputMode)**

### Purpose

Configures the SCXI-1122 channels for two-wire mode or four-wire mode.

### Parameters

#### Input

Name	Type	Description
<b>SCXIchassisID</b>	i16	chassis ID number
<b>moduleSlot</b>	i16	module slot number
<b>inputMode</b>	i16	channel input mode configuration

### Parameter Discussion

**inputMode** is the channel configuration you want to use.

- 0: two-wire mode (module default).
- 1: four-wire mode.

### Using This Function

When the SCXI-1122 is in two-wire mode (module default setting), the module is configured for 16 differential input channels.

When the SCXI-1122 is in four-wire mode, channels 0 through 7 are configured to be differential input channels, and channels 8 through 15 are configured to be current excitation channels. The SCXI-1122 has a current excitation source that will switch to drive the corresponding excitation channel 8 through 15 whenever you select an input channel 0 through 7. Channel 8 will produce the excitation when you select input channel 0, channel 9 will produce the excitation when you select input channel 1, and so on. You can use four-wire mode for single point data acquisition, or for multiple channel scanning acquisitions. During a multiple channel scan, the excitation channels will switch simultaneously with the input channels.

You can hook up an RTD or thermistor to your input channel that uses the corresponding excitation channel to drive the transducer.

You can call the `SCXI_Set_Input_Mode` function to enable four-wire mode at any time before you start the acquisition; you can call `SCXI_Set_Input_Mode` again after the acquisition to return the module to normal two-wire mode.

## SCXI\_Set\_State

---

### Format

**status = SCXI\_Set\_State (SCXIChassisID, module, port, channel, data)**

### Purpose

Sets the state of a single channel or an entire port on a digital output or relay module.

### Parameters

#### Input

Name	Type	Description
<b>SCXIChassisID</b>	i16	chassis ID number
<b>module</b>	i16	module slot number
<b>port</b>	i16	port of the module to write to (all current modules support only port 0)
<b>channel</b>	i16	the channel on the specified port to change
<b>data</b>	u32	contains new state information for a single channel or a digital pattern for an entire port

### Parameter Discussion

**port** is the port number of the module to be written to. Currently, all of the SCXI modules support only port 0.

**channel** is the channel number on the specified port. Because all of the modules support only Port 0, **channel** maps to the actual channel on the module. If **channel** = -1, the function writes the pattern in **data** to the entire port.

- n*: Write to a single channel.
  - SCXI-1160:  $0 \leq n < 16$ .
  - SCXI-1161:  $0 \leq n < 8$ .
  - SCXI-1163:  $0 \leq n < 32$ .
  - SCXI-1163R:  $0 \leq n < 32$ .
- 1: Write to an entire port.

When **channel** = -1, **data** contains the pattern of an entire port. Bit 0 corresponds to the state of channel 0 in the port, and the states of the other channels are represented in ascending order in **data** so that bit *n* corresponds to channel *n*. If the port is less than 32 bits wide, the unused bits in **data** are ignored.

When **channel** = n, the LSB (bit 0) of **data** contains the state of channel n on the specified port.

For relay modules, a 0 bit indicates that the relay is closed or in the normally closed position, and a 1 indicates that the module is open or in the normally open position. For SCXI digital modules, a 0 bit indicates that the line is low, and a 1 bit indicates that the line is high.



**Note** *For a discussion of the NC and NO positions, see your SCXI module user manual.*

## Using This Function

Because the relays on the SCXI-1160 module have a finite lifetime, the driver will maintain a software copy of the relay states as you write to them; this allows the driver to excite the relays only when you specify a new relay state. If you call this function to specify the current relay state again, NI-DAQ will not excite the relay again. When the SCXI-1160 powers up, the relays remain in the same position as they were at power down. However, when you start an application, the driver does not know the states of the relays; it will excite all of the relays the first time you write to them and then remember the states for the remainder of the application. When you call the `SCXI_Reset` function, the driver will mark all relay states as unknown.

The SCXI-1161 powers up with its relays in the NC position. The SCXI-1163 powers up with its output lines high when you operate the module in multiplexed mode. The SCXI-1163R powers up with relays open. If you operate the SCXI-1163 or 1163R in parallel mode, the states of the output lines or relays are determined by the states of the corresponding lines on the DAQ device.

## SCXI\_Set\_Threshold

---

### Format

**status = SCXI\_Set\_Threshold (SCXIChassisID, moduleSlot, channel, level, hysteresis)**

### Purpose

Sets the high and low threshold values for the SCXI-1126 frequency-to-voltage module.

### Parameters

#### Input

Name	Type	Description
<b>SCXIChassisID</b>	i16	SCXI chassis ID number
<b>moduleSlot</b>	i16	SCXI module slot number
<b>channel</b>	i16	analog input channel
<b>level</b>	f64	specifies the average of the desired high and low threshold values
<b>hysteresis</b>	f64	the difference between the high and low threshold values

### Parameter Discussion

**channel** is the number of the channel on the module.

Range: 0 to  $n-1$ , where  $n$  is the number of channels available on the module.  
 -1 for all channels on the modules.

**level** is the middle of the window between the high and low threshold values. For example, to set a low threshold of 1.0 V and a high threshold of 3.0 V, you would specify a **level** of  $(1.0 + 3.0)/2 = 2.0$  V. **level** should be between -0.5 and 4.48 V.

**hysteresis** is the size of the window between high and low threshold values. The low threshold value plus hysteresis equals the high threshold value. For example, for a low threshold value of 1.0 V and a high threshold value of 3.0 V, you would specify a **hysteresis** of  $3.0 - 1.0 = 2.0$  V. **hysteresis** should be between 0 and 4.98 V.

### Using This Function

Currently, only the SCXI-1126 supports this function. The SCXI-1126 uses the high and low threshold values to transform a periodic input signal into a square wave with the same frequency. When the input signal rises above the high threshold value, the square wave triggers high. When the input signal falls below the low threshold value, the square wave

triggers low. The SCXI-1126 module uses the square wave to produce a corresponding voltage that is proportional to the frequency of the original input signal.

The threshold values determines which part of the input signal to count, and which part to ignore. For example, a large **hysteresis** setting will keep signal noise from adding to the frequency of a signal. A small **hysteresis** and a properly chosen value for **level** will enable the SCXI-1126 to count almost every part of the input signal.

## SCXI\_Single\_Chan\_Setup

---

### Format

**status = SCXI\_Single\_Chan\_Setup (SCXIchassisID, moduleSlot, moduleChan, DAQdeviceNumber)**

### Purpose

Sets up a multiplexed module for a single channel analog input operation to be performed by the given DAQ device. Sets the module channel, enables the module output, and routes the module output on the SCXIbus if necessary. Resolves any contention on the SCXIbus by disabling the output of any module that was previously driving the SCXIbus. You also can use this function to set up to read the temperature sensor on a terminal block connected to the front connector of the module.

### Parameters

#### Input

Name	Type	Description
<b>SCXIchassisID</b>	i16	logical ID assigned to the SCXI chassis
<b>moduleSlot</b>	i16	chassis slot number
<b>moduleChan</b>	i16	channel number of the input channel on the module
<b>DAQdeviceNumber</b>	i16	device number of the DAQ device used to read the input channel

### Parameter Discussion

**moduleChan** is the channel number of the input channel on the module that is to be read.

Range: 0 to  $n-1$ , where  $n$  is the number of input channels on the module.

- 1: Set up to read the temperature sensor on the terminal block connected to the module if the temperature sensor is in the MTEMP configuration.

**DAQdeviceNumber** is the device number of the DAQ device that will perform the analog input. If you will use the SCXI-1200 to perform the analog input, you should specify the module logical device number.

## SCXI\_Track\_Hold\_Control

---

### Format

**status** = SCXI\_Track\_Hold\_Control (SCXIchassisID, moduleSlot, state, DAQdeviceNumber)

### Purpose

Controls the track/hold state of an SCXI-1140 module that you have set up for a single-channel operation.



**Note** *This function is not supported for the E Series devices.*

### Parameters

#### Input

Name	Type	Description
<b>SCXIchassisID</b>	i16	logical ID assigned to the SCXI chassis
<b>moduleSlot</b>	i16	chassis slot number
<b>state</b>	i16	track or hold mode
<b>DAQdeviceNumber</b>	i16	device number of the DAQ device used to read the input channel

### Parameter Discussion

**moduleSlot** is the chassis slot number of the SCXI-1140 module you want.

Range: 1 to  $n$ , where  $n$  is the number of slots in the chassis.

**state** indicates whether to put the module into track or hold mode.

- 0: Put the module into track mode.
- 1: Put the module into hold mode.

**DAQdeviceNumber** is the device number of the DAQ device that will perform the channel scanning operation. If you are using the SCXI-1200 to perform the data acquisition, you should specify the module logical device number.

### Using This Function

Refer to the *SCXI Application Hints* discussion in Chapter 3, *Software Overview*, of the *NI-DAQ User Manual for PC Compatibles* for information about how to use the SCXI-1140 for single-channel and channel-scanning operations. This function is only needed for single-channel applications; the scan interval timer controls the track/hold state of the module during a channel-scanning operation. The *NI-DAQ User Manual for PC Compatibles* contains flowcharts for single-channel operations using the SCXI-1140 and this function.



## SCXI\_Track\_Hold\_Setup

---

### Format

**status = SCXI\_Track\_Hold\_Setup (SCXIchassisID, moduleSlot, inputMode, source, send, holdCount, DAQdeviceNumber)**

### Purpose

Establishes the track/hold behavior of an SCXI-1140 module and sets up the module for either a single-channel operation or an interval-scanning operation.

### Parameters

#### Input

Name	Type	Description
<b>SCXIchassisID</b>	i16	logical ID assigned to the SCXI chassis
<b>moduleSlot</b>	i16	chassis slot number
<b>inputMode</b>	i16	type of analog input operation
<b>source</b>	i16	indicates which signal will control the track/hold state
<b>send</b>	i16	where else to send the signal specified by <b>source</b>
<b>holdCount</b>	i16	number of times the module is enabled during an interval scan before going back into track mode
<b>DAQdeviceNumber</b>	i16	device number of the DAQ device used

### Parameter Discussion

**inputMode** indicates what type of analog input operation.

- 0: None; frees any resources that were previously reserved for the module (such as a DAQ device counter or an SCXIbus trigger line).
- 1: Single-channel operation.
- 2: Interval channel-scanning operation (only supported if the **DAQdeviceNumber** specified is an MIO or AI device, Lab-PC-1200, Lab-PC-1200AI, Lab-PC+, SCXI-1200, or DAQCard-1200).

**source** indicates what signal controls the track/hold state of the module. If the **inputMode** is 0, NI-DAQ ignores this parameter.

- 0: A counter of the DAQ device that is cabled to the module will be the source (NI-DAQ will reserve and use Am9513-based device counter 2, an E Series dedicated DAQ-STC counter, Lab and 1200 Series devices counter B1, DAQCard-700 or LPM device counter 2 for this purpose). This source is only valid if the module is cabled to a DAQ device.
- 1: An external signal connected to the HOLDTRIG pin on the front connector of the module will control the track/hold state of the module. There is a hardware connection between the HOLDTRIG pin and the counter output of the DAQ device, so if **source** = 1 the appropriate counter (listed above) is driven by the external signal and will be reserved. Keep in mind that if **inputMode** = 2, this external signal will drive the scan interval timer. If you are using a Lab and 1200 Series devices, DAQCard-700, or LPM device, you must change the jumper setting on the SCXI-1341 or SCXI-1342 adapter device to prevent the external signal from damaging the timer chip on the DAQ device.
- 2: NI-DAQ will use a signal routed on an SCXIbus trigger line to control the track/hold state of the module. If you are using an SCXI-1200 or the internal connection to the SCXI backplane on the PXI-1010, you must use this option to route the trigger signal from the backplane.

**send** indicates where else to send the signal specified by source for synchronization purposes. NI-DAQ also ignores this parameter if the **inputMode** is 0.

- 0: Nowhere.
- 1: Make the **source** signal drive the DAQ device counter output and the HOLDTRIG pin on the module front connector (if the **source** is not already one of those signals). If you are using a DAQCard-700, DAQCard-1200, Lab-PC-1200, Lab-PC-1200AI, Lab-PC+, PCI-1200, or LPM device, you must change the jumper setting on the SCXI-1341 or SCXI-1342 adapter device to prevent the external signal from damaging the timer chip on the DAQ device.
- 2: Make the **source** signal drive an SCXIbus trigger line so that other SCXI-1140 modules can use it (if the **source** is not from the SCXIbus). Only one SCXI-1140 module can drive that trigger line; an error will occur if you attempt to configure more than one SCXI-1140 to drive it.

**holdCount** is the number of times the module is enabled by NI-DAQ during an interval scan before going back into track mode. Each time Slot 0 encounters an entry for the module in the module scan list, NI-DAQ enables the module, which remains enabled until the sample count in that module scan list entry expires. If there is only one entry for the module in the module scan list, **holdCount** should be 1 (this will almost always be the case).

Range: 1 to 255.

**DAQdeviceNumber** is the device number of the DAQ device in the PC that will be used to acquire the data. If the **DAQdeviceNumber** specified is a Lab and 1200 Series devices, DAQCard-700, or LPM device, **inputMode 2** is not supported. If you are using the SCXI-1200 to acquire the data, use the logical device number you assigned to the SCXI-1200 in the configuration utility.

## Using This Function

For single channel operations (**inputMode** = 1) the module is level-sensitive to the **source** signal; that is, when the **source** signal is low the module is in track mode, and when the **source** signal is high the module is in hold mode. If **source** = 0, you can use calls to `SCXI_Track_Hold_Control` function to put the module into track or hold mode by toggling the output of the appropriate counter on the DAQ device. If the SCXI-1140 you want to read is not cabled to the DAQ device, you will have to configure the SCXI-1140 module that *is* cabled to the DAQ device to send the counter output on the SCXIbus to the module you want. Then the `SCXI_Track_Hold_Control` call can put the module you want into track or hold mode. The `SCXI_Track_Hold_Setup` parameters for each module would be:

- For the SCXI-1140 that is cabled to the DAQ device as follows:

**inputMode** = 1

**source** = 0

**send** = 2

- For the SCXI-1140 module to be read:

**inputMode** = 1

**source** = 2

**send** = 0

Using an external **source** (**source** = 1) for single channel operations is not normally useful because NI-DAQ has no way of determining when the module has gone into hold mode and it is appropriate to read the channels.

(MIO, Lab-PC-1200, Lab-PC-1200AI, Lab-PC+, PCI-1200, SCXI-1200, and DAQCard-1200 only) For interval channel scanning operations (**inputMode** = 2) NI-DAQ configures the module to go into hold mode on the rising edge of the **source** signal. If **source** = 0, that will happen when counter 2 on the Am9513-based MIO devices, a dedicated DAQ-STC counter on E Series devices, or counter B1 on the Lab-PC-1200, Lab-PC-1200AI, Lab-PC+, PCI-1200, SCXI-1200, or DAQCard-1200 pulses at the beginning of each scan interval; if **source** = 1, that will happen on the rising edge of the external signal connected to HOLDTRIG on the module front connector. In the latter case, you should configure the DAQ device for external scan interval timing (using the `DAQ_Config` function) so that the external signal will trigger each scan. To scan more than one SCXI-1140, you can send the **source** signal from the module that is receiving it (either from the counter or from HOLDTRIG) to the other modules over the SCXIbus. Notice that the module that is cabled to the device can

receive the **source** signal from the SCXIbus and drive the scan interval timer of the DAQ device, if you want; or the module can use the DAQ device counter output and send the signal on the SCXIbus, *even if that module is not in the module scan list*.

For example, you want to scan two SCXI-1140 modules; one of which is cabled to the DAQ device that is to perform the acquisition. An external signal connected to the HOLDTRIG pin of the module that is *not* cabled to the DAQ device is to control the track/hold state of both modules and the scan interval during the acquisition. The `SCXI_Track_Hold_Setup` parameters would be as follows:

- For the SCXI-1140 that is cabled to the DAQ device:

**inputMode** = 2

**source** = 2

**send** = 1

- For the other SCXI-1140 module to be scanned:

**inputMode** = 2

**source** = 1

**send** = 2

Remember to call the `DAQ_Config` function to enable external scan interval timing whenever the **source** signal of a module will be driving the scan interval counter, as in the previous example.

The module will go back into track mode after  $n$  module scan list entries for that module have occurred, where  $n$  is the **holdCount**. Usually, each module is represented in the module scan list only once, so a **holdCount** of one is appropriate. However, if an SCXI-1140 module is represented more than once in the module scan list and you want the module to remain in hold mode until after the last scan list entry for that module, you will need to set the module **holdCount** to equal the number of times the module is represented in the module scan list.

## Select\_Signal

---

### Format

**status = Select\_Signal (deviceNumber, signal, source, sourceSpec)**

### Purpose

Chooses the source and polarity of a signal that the device uses (E Series and DAQArb 5411 devices only).

### Parameters

#### Input

Name	Type	Description
<b>deviceNumber</b>	i16	assigned by configuration utility
<b>signal</b>	u32	signal to select the source and polarity
<b>source</b>	u32	the source of the signal
<b>sourceSpec</b>	u32	further signal specification (the polarity of the signal)

### Parameter Discussion for the E Series, DAQArb 5411, and DSA Devices

Legal ranges for the **signal**, **source**, and **sourceSpec** parameters are given in terms of constants that are defined in a header file. The header file you should use depends on which of the following languages you are using:

- C programmers—`NIDAQCNS.H` (`DATAACQ.H` for LabWindows/CVI)
- BASIC programmers—`NIDAQCNS.INC` (Visual Basic for Windows programmers should refer to the *Programming Language Considerations* section in Chapter 1, *Using the NI-DAQ Functions*, for more information.)
- Pascal programmers—`NIDAQCNS.PAS`

You can use the onboard DAQ-STC to select among many sources for various signals.

**signal** specifies the signal whose source you want to select. Table 2-35 shows the possible values for **signal**.



**Note** *Only the following signals are supported for the DAQArb 5411 devices:*

- `ND_OUT_START_TRIGGER`
- `ND_OUT_UPDATE`

- ND\_RTSI\_CLOCK
- ND\_RTSI\_0 through ND\_RTSI\_6
- ND\_PLL\_REF\_SOURCE



**Note** *The ND\_OUT\_START\_TRIGGER, ND\_OUT\_UPDATE, and ND\_UPDATE\_CLOCK\_TIMEBASE values do not apply to the AI E Series devices.*



**Note** *The following signals are not supported for the DSA devices:*

- ND\_OUT\_UPDATE
- ND\_PLL\_REF\_SOURCE
- ND\_IN\_SCAN\_CLOCK\_TIMEBASE
- ND\_IN\_CHANNEL\_CLOCK\_TIMEBASE
- ND\_IN\_CONVERT
- ND\_IN\_SCAN\_START
- ND\_IN\_EXTERNAL\_GATE
- ND\_OUT\_EXTERNAL\_GATE
- ND\_OUT\_UPDATE\_CLOCK\_TIMEBASE
- ND\_PFI\_2 (PCI-445X only)
- ND\_PFI\_5 (PCI-445X only)

**Table 2-35.** Possible Values for **signal**

<b>Group</b>	<b>signal</b>	<b>Description</b>
Timing and Control Signals Used Internally by the Onboard DAQ-STC	ND_IN_START_TRIGGER	Start trigger for the DAQ and SCAN functions
	ND_IN_STOP_TRIGGER	Stop trigger for the DAQ and SCAN functions
	ND_IN_SCAN_CLOCK_TIMEBASE	Scan clock timebase for the SCAN functions
	ND_IN_CHANNEL_CLOCK_TIMEBASE	Channel clock timebase for the DAQ and SCAN functions
	ND_IN_CONVERT	Convert signal for the AI, DAQ and SCAN functions
	ND_IN_SCAN_START	Start scan signal for the SCAN functions
	ND_IN_EXTERNAL_GATE	External gate signal for the DAQ and SCAN functions
	ND_OUT_START_TRIGGER	Start trigger for the WFM functions
	ND_OUT_UPDATE	Update signal for the AO and WFM functions
	ND_OUT_UPDATE_CLOCK_TIMEBASE	Update clock timebase for the WFM functions
	ND_PLL_REF_SOURCE	Phase-locked loop (PLL) reference clock source for WFM functions
	ND_OUT_EXTERNAL_GATE	External gate signal for the WFM functions
I/O Connector Pins	ND_PFI_0 through PFI_9	Signal present at the I/O connector pin PFI0 through PFI9.
	ND_GPCTR0_OUTPUT	Signal present at the I/O connector pin GPCTR0_OUTPUT
	ND_GPCTR1_OUTPUT	Signal present at the I/O connector pin GPCTR1_OUTPUT
	ND_FREQ_OUT	Signal present at the FREQ_OUT output pin on the I/O connector

**Table 2-35.** Possible Values for **signal** (Continued)

Group	signal	Description
RTSI Bus Signals	ND_RTSI_0 through ND_RTSI_6	Signal present at the RTSI bus trigger line 0 through 7
	ND_RTSI_CLOCK	Enable the device to drive the RTSI clock line or prevent it from doing it
	ND_BOARD_CLOCK	Enable the device to receive the clock signal from the RTSI clock line or stop it from doing so

Legal values for **source** and **sourceSpec** depend on the **signal** and are shown in the following tables.

**signal** = ND\_IN\_START\_TRIGGER

source	sourceSpec
ND_PFI_0 through ND_PFI_9	ND_LOW_TO_HIGH and ND_HIGH_TO_LOW
ND_RTSI_0 through ND_RTSI_6	ND_LOW_TO_HIGH and ND_HIGH_TO_LOW
ND_GPCTR0_OUTPUT	ND_LOW_TO_HIGH and ND_HIGH_TO_LOW
ND_AUTOMATIC	ND_DONT_CARE
ND_ATC_OUT	ND_DONT_CARE

Use ND\_IN\_START\_TRIGGER to initiate a data acquisition sequence. You can use an external signal or output of general-purpose counter 0 as a source for this signal, or you can specify that NI-DAQ generates it (corresponds to **source** = ND\_AUTOMATIC).

If you do not call this function with **signal** = ND\_IN\_START\_TRIGGER, NI-DAQ uses the default values, **source** = ND\_AUTOMATIC and **sourceSpec** = ND\_LOW\_TO\_HIGH.

If you call DAQ\_Config with **startTrig** = 1, NI-DAQ calls Select\_Signal function with **signal** = ND\_IN\_START\_TRIGGER, **source** = ND\_PFI\_0, and **sourceSpec** = ND\_HIGH\_TO\_LOW.

If you call DAQ\_Config with **startTrig** = 0, NI-DAQ calls Select\_Signal function with **signal** = ND\_IN\_START\_TRIGGER, **source** = ND\_AUTOMATIC, and **sourceSpec** = ND\_DONT\_CARE.



**signal** = ND\_IN\_STOP\_TRIGGER

source	sourceSpec
ND_PFI_0 through ND_PFI_9	ND_LOW_TO_HIGH and ND_HIGH_TO_LOW
ND_RTSI_0 through ND_RTSI_6	ND_LOW_TO_HIGH and ND_HIGH_TO_LOW

Use ND\_IN\_STOP\_TRIGGER for data acquisition in the pretriggered mode. The selected transition on the **signal** line indicates to the device that it should acquire a specified number of scans after the trigger and stop.

If you do not call this function with **signal** = ND\_IN\_STOP\_TRIGGER, NI-DAQ uses the default values, **source** = ND\_PFI\_1 and **sourceSpec** = ND\_HIGH\_TO\_LOW. By default, ND\_IN\_STOP\_TRIGGER is not used because the pretriggered mode is disabled.

If you call DAQ\_StopTrigger\_Config with **startTrig** = 1, NI-DAQ calls Select\_Signal function with **signal** = ND\_IN\_STOP\_TRIGGER, **source** = ND\_PFI\_1, and **sourceSpec** = ND\_HIGH\_TO\_LOW. Therefore, to use different selection for ND\_IN\_STOP\_TRIGGER, you need to call the Select\_Signal function after DAQ\_StopTrigger\_Config.

**signal** = ND\_IN\_EXTERNAL\_GATE

source	sourceSpec
ND_PFI_0 through ND_PFI_9	ND_PAUSE_ON_HIGH and ND_PAUSE_ON_LOW
ND_RTSI_0 through ND_RTSI_6	ND_PAUSE_ON_HIGH and ND_PAUSE_ON_LOW
ND_NONE	ND_DONT_CARE

Use ND\_IN\_EXTERNAL\_GATE for gating the data acquisition. For example, if you call this function with **signal** = ND\_IN\_EXTERNAL\_GATE, **source** = ND\_PFI\_9, and **sourceSpec** = PAUSE\_ON\_HIGH, the data acquisition will be paused whenever the PFI 9 is at the high level. The pausing is performed on a per scan basis, so no scans are split by the external gate.

If you do not call this function with **signal** = ND\_IN\_EXTERNAL\_GATE, NI-DAQ uses the default values, **source** = ND\_NONE and **sourceSpec** = ND\_DONT\_CARE; therefore, by default, the data acquisition is not gated.

**signal** = ND\_IN\_SCAN\_START

source	sourceSpec
ND_PFI_0 through ND_PFI_9	ND_LOW_TO_HIGH and ND_HIGH_TO_LOW
ND_RTSI_0 through ND_RTSI_6	ND_LOW_TO_HIGH and ND_HIGH_TO_LOW

source	sourceSpec
ND_GPCTR0_OUTPUT	ND_LOW_TO_HIGH and ND_HIGH_TO_LOW
ND_INTERNAL_TIMER	ND_LOW_TO_HIGH

Use this signal for scan timing. You can use a DAQ-STC timer for timing the scans, or you can use an external signal. You can also use the output of the general-purpose counter 0 for scan timing. This can be useful for applications such as Equivalent Time Sampling (ETS).

If you do not call this function with **signal** = ND\_IN\_SCAN\_START, NI-DAQ uses the default values, **source** = ND\_INTERNAL\_TIMER and **sourceSpec** = ND\_LOW\_TO\_HIGH.

If you call DAQ\_Config with **extConv** = 2 or 3, NI-DAQ calls Select\_Signal function with **signal** = ND\_IN\_SCAN\_START, **source** = ND\_PFI\_7, and **sourceSpec** = ND\_HIGH\_TO\_LOW.

If you call DAQ\_Config with **extConv** = 0 or 1, NI-DAQ calls Select\_Signal function with **signal** = ND\_IN\_SCAN\_START, **source** = ND\_INTERNAL\_TIMER, and **sourceSpec** = ND\_LOW\_TO\_HIGH.

**signal** = ND\_IN\_CONVERT

source	sourceSpec
ND_PFI_0 through ND_PFI_9	ND_LOW_TO_HIGH and ND_HIGH_TO_LOW
ND_RTSM_0 through ND_RTSM_6	ND_LOW_TO_HIGH and ND_HIGH_TO_LOW
ND_GPCTR0_OUTPUT	ND_LOW_TO_HIGH and ND_HIGH_TO_LOW
ND_INTERNAL_TIMER	ND_LOW_TO_HIGH

Use ND\_IN\_CONVERT for sample (channel interval) timing. This signal controls the onboard ADC. You can use a DAQ-STC timer for timing the samples, or you can use an external signal. You can also use output of the general-purpose counter 0 for sample timing.

If you call the AI\_Check function or DAQ\_Config with **extConv** = 1 or 3, NI-DAQ calls Select\_Signal function with **signal** = ND\_IN\_CONVERT, **source** = ND\_PFI\_2, and **sourceSpec** = ND\_HIGH\_TO\_LOW.

If you call DAQ\_Config with **extConv** = 0 or 2, NI-DAQ calls Select\_Signal function with **signal** = ND\_IN\_CONVERT, **source** = ND\_INTERNAL\_TIMER, and **sourceSpec** = ND\_LOW\_TO\_HIGH.

**signal** = ND\_IN\_SCAN\_CLOCK\_TIMEBASE

source	sourceSpec
ND_PFI_0 through ND_PFI_9	ND_LOW_TO_HIGH and ND_HIGH_TO_LOW
ND_RTSI_0 through ND_RTSI_6	ND_LOW_TO_HIGH and ND_HIGH_TO_LOW
ND_INTERNAL_20_MHZ	ND_LOW_TO_HIGH
ND_INTERNAL_100_KHZ	ND_LOW_TO_HIGH

Use ND\_IN\_SCAN\_CLOCK\_TIMEBASE as an input into the DAQ-STC scan timer. The scan timer generates timing by counting the signal at its input, and producing an IN\_START\_SCAN signal after the specified number of occurrences of the ND\_IN\_SCAN\_CLOCK\_TIMEBASE signal transitions.

If you do not call this function with **signal** = ND\_IN\_SCAN\_CLOCK\_TIMEBASE, NI-DAQ uses the default values, **source** = ND\_INTERNAL\_20\_MHZ and **sourceSpec** = ND\_LOW\_TO\_HIGH.

**signal** = ND\_IN\_CHANNEL\_CLOCK\_TIMEBASE

source	sourceSpec
ND_PFI_0 through ND_PFI_9	ND_LOW_TO_HIGH and ND_HIGH_TO_LOW
ND_RTSI_0 through ND_RTSI_6	ND_LOW_TO_HIGH and ND_HIGH_TO_LOW
ND_INTERNAL_20_MHZ	ND_LOW_TO_HIGH
ND_INTERNAL_100_KHZ	ND_LOW_TO_HIGH

Use ND\_IN\_CHANNEL\_CLOCK\_TIMEBASE as an input into the DAQ-STC sample (channel interval) timer. The sample timer generates timing by counting the signal at its input, and producing an ND\_IN\_CONVERT signal after the specified number of occurrences of the ND\_IN\_CHANNEL\_CLOCK\_TIMEBASE signal transitions.

If you do not call this function with **signal** = ND\_IN\_SCAN\_CLOCK\_TIMEBASE, NI-DAQ uses the default values, **source** = ND\_INTERNAL\_20\_MHZ and **sourceSpec** = ND\_LOW\_TO\_HIGH.

**signal** = ND\_OUT\_START\_TRIGGER

source	sourceSpec
ND_PFI_0 through ND_PFI_9	ND_LOW_TO_HIGH and ND_HIGH_TO_LOW
ND_RTSI_0 through ND_RTSI_6	ND_LOW_TO_HIGH and ND_HIGH_TO_LOW
ND_IN_START_TRIGGER	ND_LOW_TO_HIGH

source	sourceSpec
ND_AUTOMATIC	ND_LOW_TO_HIGH
ND_IO_CONNECTOR	ND_LOW_TO_HIGH

Use ND\_OUT\_START\_TRIGGER to initiate a waveform generation sequence. You can use an external signal or the signal used as the ND\_IN\_START\_TRIGGER, or NI-DAQ can generate it. Setting source to ND\_IN\_START\_TRIGGER is useful for synchronizing waveform generation with data acquisition.

By setting source to ND\_IO\_CONNECTOR, you can trigger using a signal on the I/O connector pin. For finding out which pin on the I/O connector is the external trigger input, refer to your *DAQArb 5411 User Manual*.

If you do not call this function with **signal** = ND\_OUT\_START\_TRIGGER, NI-DAQ uses the default values, **source** = ND\_AUTOMATIC and **sourceSpec** = ND\_LOW\_TO\_HIGH.

**signal** = ND\_OUT\_UPDATE

source	sourceSpec
ND_PFI_0 through ND_PFI_9	ND_LOW_TO_HIGH and ND_HIGH_TO_LOW
ND_RTSM_0 through ND_RTSM_6	ND_LOW_TO_HIGH and ND_HIGH_TO_LOW
ND_GPCTR1_OUTPUT	ND_LOW_TO_HIGH and ND_HIGH_TO_LOW
ND_INTERNAL_TIMER	ND_LOW_TO_HIGH



**Note** *DAQARB 5411 devices do not have DAQ-STC on board.*

Use this signal for update timing. You can use a DAQ-STC timer for timing the updates, or you can use an external signal. You also can use output of the general-purpose counter 1 for update timing.

If you do not call this function with **signal** = ND\_OUT\_UPDATE, NI-DAQ uses the default values, **source** = ND\_INTERNAL\_TIMER and **sourceSpec** = ND\_LOW\_TO\_HIGH.

**signal** = ND\_OUT\_EXTERNAL\_GATE

source	sourceSpec
ND_PFI_0 through ND_PFI_9	ND_PAUSE_ON_HIGH and ND_PAUSE_ON_LOW
ND_RTSM_0 through ND_RTSM_6	ND_PAUSE_ON_HIGH and ND_PAUSE_ON_LOW
ND_NONE	ND_DONT_CARE

Use this signal for gating the waveform generation. For example, if you call this function with **signal** = ND\_OUT\_EXTERNAL\_GATE, **source** = ND\_PFI\_9, and **sourceSpec** = ND\_PAUSE\_ON\_HIGH, the waveform generation will be paused whenever the PFI 9 is at the high level.

If you do not call this function with **signal** = ND\_OUT\_EXTERNAL\_GATE, NI-DAQ uses the default values, **source** = ND\_NONE and **sourceSpec** = ND\_DONT\_CARE; therefore, by default, the waveform generation is not gated.

**signal** = ND\_OUT\_UPDATE\_CLOCK\_TIMEBASE

source	sourceSpec
ND_PFI_0 through ND_PFI_9	ND_LOW_TO_HIGH and ND_HIGH_TO_LOW
ND_RTSI_0 through ND_RTSI_6	ND_LOW_TO_HIGH and ND_HIGH_TO_LOW
ND_INTERNAL_20_MHZ	ND_LOW_TO_HIGH
ND_INTERNAL_100_KHZ	ND_LOW_TO_HIGH

Use this signal as an input into the DAQ-STC update timer. The update timer generates timing by counting the signal at its input and producing an ND\_OUT\_UPDATE signal after the specified number of occurrences of the ND\_OUT\_UPDATE\_CLOCK\_TIMEBASE signal transitions.

If you do not call this function with **signal** = ND\_OUT\_UPDATE\_CLOCK\_TIMEBASE, NI-DAQ uses the default values, **source** = ND\_INTERNAL\_20\_MHZ and **sourceSpec** = ND\_LOW\_TO\_HIGH.

**signal** = ND\_PFI\_0 through ND\_PFI\_9

The following table summarizes all the signals and source for the I/O connector pins PFI0 through PFI9.

signal	source	sourceSpec
ND_PFI_0 through ND_PFI_9	ND_NONE	ND_DONT_CARE
ND_PFI_0	ND_IN_START_TRIGGER	ND_LOW_TO_HIGH
ND_PFI_1	ND_IN_STOP_TRIGGER	ND_LOW_TO_HIGH
ND_PFI_2	ND_IN_CONVERT (Refer to the Special Considerations when source = ND_CONVERT section for more information.	ND_HIGH_TO_LOW
ND_PFI_3	ND_GPCTR1_SOURCE	ND_LOW_TO_HIGH

signal	source	sourceSpec
ND_PFI_4	ND_GPCTR1_GATE	ND_POSITIVE
ND_PFI_5	ND_OUT_UPDATE	ND_HIGH_TO_LOW
ND_PFI_6	ND_OUT_START_TRIGGER	ND_LOW_TO_HIGH
ND_PFI_7	ND_IN_SCAN_START	ND_LOW_TO_HIGH
ND_PFI_7	ND_IN_SCAN_IN_PROG	ND_LOW_TO_HIGH
ND_PFI_8	ND_GPCTR0_SOURCE	ND_LOW_TO_HIGH
ND_PFI_9	ND_GPCTR0_GATE	ND_POSITIVE

Use ND\_NONE to disable output on the pin.

**signal** = ND\_GPCTR0\_OUTPUT

source	sourceSpec
ND_NONE	ND_DONT_CARE
ND_GPCTR0_OUTPUT	ND_LOW_TO_HIGH
ND_RTISI_0 through ND_RTISI_6	ND_LOW_TO_HIGH

Use ND\_NONE to disable output on the pin. When you disable output on this pin, you can use the pin as an input pin, and you can attach an external signal to it. This is useful because it enables you to communicate a signal from the I/O connector to the RTSI bus.

When you enable this pin for output, you can program it to output the signal present at any one of the RTSI bus trigger lines or the general-purpose counter 0 output. The RTSI selections are useful because they enable you to communicate a signal from the RTSI bus to the I/O connector.

**signal** = ND\_GPCTR1\_OUTPUT

source	sourceSpec
ND_NONE	ND_DONT_CARE
ND_GPCTR1_OUTPUT	ND_LOW_TO_HIGH
ND_RESERVED	ND_DONT_CARE

Use ND\_NONE to disable the output on the pin; in other words, do place the pin in high impedance state.

NI-DAQ can use ND\_RESERVED when you use this device with some of the SCXI modules. In this case, you can use general-purpose counter 1, but the output will not be available on the

I/O connector because the pin is used for device-to-SCXI communication. Currently, there are no SCXI modules that require this.

**signal** = ND\_FREQ\_OUT

source	sourceSpec
ND_NONE	ND_DONT_CARE
ND_INTERNAL_10_MHZ	1 through 16
ND_INTERNAL_100_KHZ	1 through 16

Use ND\_NONE to disable the output on the pin; in other words, to place the pin in high impedance state.

The signal present on the FREQ\_OUT pin of the I/O connector is the divided-down version of one of the two internal timebases. Use **sourceSpec** to specify the divide-down factor.

**signal** = ND\_RTISI\_0 through ND\_RTISI\_6

source	sourceSpec
ND_NONE	ND_DONT_CARE
ND_IN_START_TRIGGER	ND_LOW_TO_HIGH
ND_IN_STOP_TRIGGER	ND_LOW_TO_HIGH
ND_IN_CONVERT	ND_HIGH_TO_LOW
ND_OUT_UPDATE	ND_HIGH_TO_LOW
ND_OUT_START_TRIGGER	ND_LOW_TO_HIGH
ND_GPCTR0_SOURCE	ND_LOW_TO_HIGH
ND_GPCTR0_GATE	ND_POSITIVE
ND_GPCTR0_OUTPUT	ND_DONT_CARE
ND_IN_SCAN_START	ND_LOW_TO_HIGH



**Note** *This information applies to E Series devices only.*

When **source** = ND\_IN\_SCAN\_START, the actual signal source on the specified RTSI line will be ND\_IN\_SCAN\_START or ND\_IN\_SCAN\_IN\_PROG. The default signal source is ND\_IN\_SCAN\_START, with **source** = ND\_IN\_SCAN\_START. The following actions will change the signal source:

- Call the select\_signal function with **signal** = ND\_PFI\_7 and **source** = ND\_IN\_SCAN\_START or ND\_SCAN\_IN\_PROG.

**Note**

**Disabling the output on the PFI7 line (by calling `Select_Signal` with `signal = ND_PFI_7` and `source = ND_NONE`) and then calling `Select_Signal` with `signal = ND_RTISI_i` and `source = ND_IN_SCAN_START` will result in `ND_IN_SCAN_START` being driven on the specified RTSI line regardless of what source was used to drive the PFI7 line in any previous `Select_Signal` call.**

- Configuring some external devices, such as the SC-2040, will cause the `ND_IN_SCAN_IN_PROG` signal to be output on the PFI7 line. This will cause an ensuing call to `Select_Signal` with `signal = ND_RTISI_i` and `source = ND_IN_SCAN_START` to drive `ND_IN_SCAN_IN_PROG` onto the specified RTSI line.

You can use the `GPCTR0_OUTPUT` pin on the I/O connector in two ways—as an output pin or an input pin. When you configure the pin as an output pin, you can program the pin to output a signal from a RTSI line or the general-purpose counter 0 output (see `signal = ND_GPCTR0_OUTPUT` in this function for details). When you configure the pin as an input pin, you can attach an external signal to the pin. When `signal` is one of the RTSI lines, and `source = ND_GPCTR0_OUTPUT`, the signal on the RTSI line will be the signal present at the `GPCTR0_OUTPUT` pin on the I/O connector, which is not always the output of the general-purpose counter 0.

The following table applies to DAQArb 5411 devices only.

source	sourceSpec
ND_MARKER	ND_DONT_CARE
ND_SYNC_OUT	ND_DONT_CARE
ND_OUT_START_TRIGGER	ND_DONT_CARE
ND_NONE	ND_DONT_CARE

Use `ND_NONE` to diable the output on the RTSI line.

The `MARKER` output and the `SYNC` output, which are generated during the waveform generation, can be routed to any of the RTSI trigger lines. For more details on the `MARKERS` and `SYNC` output, refer to your *DAQArb 5411 User Manual*. You also can route the start trigger signal to any of the RTSI trigger lines. This action might be useful to trigger multiple devices with the same signal at one time.

`signal = ND_RTISI_CLOCK`

source	sourceSpec
ND_NONE	ND_DONT_CARE
ND_BOARD_CLOCK	ND_DONT_CARE



Use **source** = ND\_NONE to stop the device from driving the RTSI clock line.

When **source** = ND\_BOARD\_CLOCK, this device drives the signal on the RTSI clock line.

For DAQArb 5411 devices, the board clock is a 20 MHz clock.

**signal** = ND\_BOARD\_CLOCK

source	sourceSpec
ND_BOARD_CLOCK	ND_DONT_CARE
ND_RTSI_CLOCK	ND_DONT_CARE

Use **source** = ND\_BOARD\_CLOCK to stop the device from receiving the clock signal from the RTSI clock line.

Use **source** = ND\_RTSI\_CLOCK to program the device to receive the clock signal from the RTSI clock line.

**signal** = ND\_PLL\_REF\_SOURCE

source	sourceSpec
ND_RTSI_CLOCK	ND_DONT_CARE
ND_IO_CONNECTOR	ND_DONT_CARE
ND_NONE (default)	ND_DONT_CARE

Use ND\_NONE for internal calibrated reference.

By using ND\_IO\_CONNECTOR, you can select an external reference clock to be the source for the phase-locked loop (PLL), or you can use ND\_RTSI\_CLOCK when running at 20 MHz to be the reference clock source for the PLL. By default, NI-DAQ selects the internal reference.

### Special Considerations when **source** = ND\_CONVERT

When you enable the convert signal to go out on PFI\_2 or any of the RTSI lines, there will be a pulse prior to the start of data acquisition. This is the side effect of programming the device for data acquisition, and the receiver of the signal should keep this in mind. For example, to synchronize two devices using the convert signal, you should also make them share the start trigger signal. so that the spurious convert pulse generated by the controlling device is ignored by the controlling device.

## Parameter Discussion for the 6602 Devices

Legal ranges for the **signal**, **source**, and **sourceSpec** parameters are given in terms of constants that are defined in a header file.

- BASIC programmers—NIDAQCNS.INC (Visual Basic for Windows programmers should refer to the *Programming Language Considerations* section in Chapter 1, *Using the NI-DAQ Functions*, for more information.
- Pascal programmers—NIDAQCNS.PAS



**Note** Use the **signal** parameter to specify the signal whose source you want to select. The following table shows the possible values for **signal**.

**Table 2-36.** Legal Parameters for the 6602 Devices

Group	Signal	Description
All of the RTSI lines	ND_RTSI_0 through ND_RTSI_6 and ND_RTSI_CLOCK	Selects a counter for output on a RTSI line
The triggering input for the counter	ND_START_TRIGGER	Selects a source for the counter's hardware arming or triggering source

Legal values for **source** and **sourceSpec** depend on the **signal** and are shown in the following tables:

**signal** = ND\_RTSI\_0 through ND\_RTSI\_6 and ND\_RTSI\_CLOCK

source	sourceSpec
ND_NONE (default)	ND_DONT_CARE
ND_LOW	ND_DONT_CARE
ND_HIGH	ND_DONT_CARE
ND_GPCTR0_OUTPUT through ND_GPCTR7_OUTPUT	ND_DONT_CARE

**signal** = ND\_START\_TRIGGER

source	sourceSpec
ND_LOW	ND_LOW_TO_HIGH
ND_HIGH	ND_LOW_TO_HIGH

source	sourceSpec
ND_PFI_0 through ND_PFI_39	ND_LOW_TO_HIGH or ND_HIGH_TO_LOW
ND_RTISI_0 through ND_RTISI_6 and ND_RTISI_CLOCK	ND_LOW_TO_HIGH or ND_HIGH_TO_LOW

### Example

```
status = Select_Signal (1, ND_START_TRIGGER, ND_RTISI_5, ND_LOW_TO_HIGH);
```

This example would route RTISI lines to be the start trigger for the counters on the TIO board. When RTISI lines have a rising edge, all counters configured for hardware triggering will begin counting. The software start must be issued to the counter before the hardware trigger will work.

### Using This Function

If you have selected a signal that is not an I/O connector pin, pin or a RTISI bus line, `Select_Signal` saves the parameters in the configuration tables for future operations. Functions that which initiate data acquisition (`DAQ_Start`, `SCAN_Start`, `DAQ_Op`, and `SCAN_Op`) and waveform generation operations (`WFM_Group_Control` and `WFM_Op`) use the configuration tables to set the device circuitry to the correct timing modes.

You do not need to call this function if you are satisfied with the default settings for the signals.

If you have selected a signal that is an I/O connector, connector or a RTISI bus signal, `Select_Signal` performs signal routing and enables or disables output on a pin.pin or a RTISI line.

**Example:** Sending a signal from your E Series device to the RTISI bus

To send a signal from your E Series device to the RTISI bus, set **signal** to the appropriate RTISI bus line and **source** to indicate the signal from your device. If you want to send the analog input start trigger on to RTISI line 3, use the following call:

```
Select_Signal(deviceNum, ND_RTISI_3, ND_IN_START_TRIGGER, ND_LOW_TO_HIGH)
```

**Example:** Receiving a signal from the RTISI bus on your E Series device

To receive a signal from the RTISI bus and use it as a signal on your E Series device, set **signal** to indicate the appropriate E Series device signal and **source** to the appropriate RTISI line. If you want to use low-to-high transitions of the signal present on the RTISI line 4 as your scan clock, use the following call:

```
Select_Signal(deviceNum, ND_IN_SCAN_START, ND_RTISI_4, ND_LOW_TO_HIGH)
```

## Signal Name Equivalencies

For a variety of reasons, some timing signals are given different names in the hardware documentation and the software and its documentation. The following table lists the equivalencies between the two sets of signal names.

**Table 2-37.** E Series Signal Name Equivalencies

Signals	Hardware Name	Software Name
AI-Related	TRIG1	ND_IN_START_TRIGGER
	TRIG2	ND_IN_STOP_TRIGGER
	STARTSCAN	ND_IN_SCAN_START
	SISOURCE	ND_IN_SCAN_CLOCK_TIMEBASE
	CONVERT*	ND_IN_CONVERT
	AIGATE	ND_IN_EXTERNAL_GATE
	SI2SOURCE	ND_IN_CHANNEL_CLOCK_TIMEBASE
AO-Related	WFTRIG	ND_OUT_START_TRIGGER
	UPDATE*	ND_OUT_UPDATE
	AOGATE	ND_OUT_EXTERNAL_GATE
	UISOURCE	ND_OUT_UPDATE_CLOCK_TIMEBASE
	AO2GATE	N/A
	UI2SOURCE	N/A

The VXI-MIO-64E-1 and VXI-MIO-64XE-10 devices use the VXIbus trigger lines to implement the RTSI bus synchronization between two or more such devices. The following table shows the mapping between the RTSI bus line (identifier) and the corresponding VXIbus trigger line.

**Table 2-38.** RTSI Bus Line and VXIbus Trigger Mapping

RTSI bus line identifier	VXIbus trigger line
ND_RTSI_0	VXIbus TTL Trigger 0 (TTLTRG0)
ND_RTSI_1	VXIbus TTL Trigger 1 (TTLTRG1)
ND_RTSI_2	VXIbus TTL Trigger 2 (TTLTRG2)
ND_RTSI_3	VXIbus TTL Trigger 3 (TTLTRG3)

**Table 2-38.** RTSI Bus Line and VXIbus Trigger Mapping (Continued)

<b>RTSI bus line identifier</b>	<b>VXIbus trigger line</b>
ND_RTISI_4	VXIbus TTL Trigger 4 (TTLTRG4)
ND_RTISI_5	VXIbus ECL Trigger 0 (ECLTRG0)
ND_RTISI_6	VXIbus ECL Trigger 1 (ECLTRG1)
ND_RTISI_CLOCK	VXIbus ECL Trigger 0 (ECLTRG0)

**Note**

*Unpredictable behavior might result if other VXIbus devices simultaneously use the same VXIbus trigger line that the VXI-MIO devices are using to synchronize their operations.*

## Set\_DAQ\_Device\_Info

---

### Format

**status** = Set\_DAQ\_Device\_Info (**deviceNumber**, **infoType**, **infoValue**)

### Purpose

This function can be used to change the data transfer mode (interrupts and DMA) for certain classes of data acquisition operations, some settings for an SC-2040 track-and-hold accessory and an SC-2043-SG strain-gauge accessory, as well as the source for the CLK1 signal on the DAQCard-700. Refer to the *Using This Function* section to determine which settings can be changed for your device.

### Parameters

#### Input

Name	Type	Description
<b>deviceNumber</b>	i16	assigned by configuration utility
<b>infoType</b>	u32	parameter you want to modify
<b>infoValue</b>	u32	new value you want to assign to the parameter specified by <b>infoType</b>

### Parameter Discussion

Legal ranges for the **infoType** and **infoValue** are given in terms of constants that are defined in a header file. The header file you should use depends on which of the following languages you are using:

- C programmers—NIDAQCNS.H (DATAACQ.H for LabWindows/CVI)
- BASIC programmers—NIDAQCNS.INC (Visual Basic for Windows programmers should refer to the *Programming Language Considerations* section in Chapter 1, *Using the NI-DAQ Functions*, for more information.)
- Pascal programmers—NIDAQCNS.PAS

**infoType** indicates which parameter you want to change. Use **infoValue** to specify the corresponding new value.

Values that **infoType** accepts depend on the device you are using. The legal range for **infoValue** depends on the device you are using and **infoType**.

**infoType** can be one of the following:

<b>infoType</b>	<b>Description</b>
ND_ACK_REQ_EXCHANGE_GR1 ND_ACK_REQ_EXCHANGE_GR2	Used to exchange the ACK and REQ pins on the DIO 6533 (DIO-32HS) connector
ND_AI_FIFO_INTERRUPTS	Used to select method of AI interrupt generation
ND_CLOCK_REVERSE_MODE_GR1 ND_CLOCK_REVERSE_MODE_GR2	Used to reverse the PCLK clock direction on the DIO 6533 (DIO-32HS) in burst handshaking mode
ND_COUNTER_1_SOURCE	Used to select a source for counter 1 on the DAQCard-700
ND_DATA_XFER_MODE_AI	Method NI-DAQ uses for data transfers when performing the DAQ, MDAQ, and SCAN operations
ND_DATA_XFER_MODE_AO_GR1 ND_DATA_XFER_MODE_AO_GR2	Method NI-DAQ uses for data transfers when performing the WFM operations which require buffers from the PC memory
ND_DATA_XFER_MODE_GPCTR0	Method NI-DAQ uses for data transfers when buffered GPCTR operations with the general-purpose counter 0
ND_DATA_XFER_MODE_GPCTR1	Method NI-DAQ uses for data transfers when buffered GPCTR operations with the general-purpose counter 1
ND_DATA_XFER_MODE_GPCTR2	Method NI-DAQ uses for data transfers when buffered GPCTR operations with the general-purpose counter.
ND_DATA_XFER_MODE_GPCTR3	Method NI-DAQ uses for data transfers when buffered GPCTR operations with the general-purpose counter 3
ND_DATA_XFER_MODE_GPCTR4	Method NI-DAQ uses for data transfers when buffered GPCTR operations with the general-purpose counter 4
ND_DATA_XFER_MODE_GPCTR5	Method NI-DAQ uses for data transfers when buffered GPCTR operations with the general-purpose counter 5
ND_DATA_XFER_MODE_GPCTR6	Method NI-DAQ uses for data transfers when buffered GPCTR operations with the general-purpose counter 6

<b>infoType</b>	<b>Description</b>
ND_DATA_XFER_MODE_GPCTR7	Method NI-DAQ uses for data transfers for buffered GPCTR operations with the general-purpose counter 7
ND_DATA_XFER_MODE_DIO_GRP1 ND_DATA_XFER_MODE_DIO_GRP2 ND_DATA_XFER_MODE_DIO_GRP3 ND_DATA_XFER_MODE_DIO_GRP4 ND_DATA_XFER_MODE_DIO_GRP5 ND_DATA_XFER_MODE_DIO_GRP6 ND_DATA_XFER_MODE_DIO_GRP7 ND_DATA_XFER_MODE_DIO_GRP8	Method NI-DAQ uses for data transfers for the digital input and output operations with group <i>N</i> (1 to 8)
ND_SC_2040_MODE	Used to enable or disable the track-and-hold circuitry on the SC-2040
ND_SC_2043_MODE	Used to enable or disable the SC-2043-SG accessory
ND_SUSPEND_POWER_STATE	State of USB device power when your operating system enters power-saving/suspend mode

**infoValue** can be one of the following:

<b>infoValue</b>	<b>Description</b>
ND_AUTOMATIC	Lets NI-DAQ decide the type of FIFO interrupt based on the acquisition rate. This is the default.
ND_INTERRUPTS	NI-DAQ uses interrupts for data transfer
ND_INTERNAL_TIMER	Counter 1 uses the internal timer as the source for its CLK1 source
ND_INTERRUPT_EVERY_SAMPLE	Generates interrupts on every sample regardless of the acquisition rate
ND_INTERRUPT_HALF_FIFO	Generates interrupts only when the FIFO is half full, regardless of the acquisition rate
ND_IO_CONNECTOR	Counter 1 uses the CLK1 signal from the I/O connector as the source for its CLK1 signal
ND_NONE	Cancels the effects of having accidentally called the SC_2040_Config function
ND_NO_STRAIN_GAUGE	Disables the SC-2043-SG accessory



infoValue	Description
ND_NO_TRACK_AND_HOLD	Disables use of the track-and-hold circuitry on the SC-2040 <sup>1</sup>
ND_OFF	Disables the ACK and REQ exchange or the reversal of the clock direction of the DIO 6533 (DIO-32HS)
ND_ON	Exchanges the ACK and REQ pins or reverses the clock direction on the DIO 6533 (DIO-32HS)
ND_STRAIN_GAUGE	Enables the SC-2043-SG accessory for strain-gauge measurements (no excitation on channel 0)
ND_STRAIN_GAUGE_EX0	Enables the SC-2043-SG accessory with excitation on channel 0
ND_TRACK_AND_HOLD	Re-enables the track-and-hold circuitry on an SC-2040 if you have previously disabled it. <sup>2</sup>
ND_UP_TO_1_DMA_CHANNEL	NI-DAQ must use <i>only</i> one DMA channel; if the DMA channel is not available, NI-DAQ reports an error and it will not perform the operation
ND_UP_TO_2_DMA_CHANNELS	NI-DAQ uses two DMA channels, if possible; otherwise, it uses one DMA channel, if one is available; if no DMA channels are available, NI-DAQ reports an error and it will not perform the operation
ND_FOREGROUND	NI-DAQ performs data transfers through the CPU
<sup>1</sup> You should use this setting to use the SC-2040 only as a preamplifier, without using track and hold. <sup>2</sup> With ND_NO_TRACK_AND_HOLD.	

When NI-DAQ uses DMA channels for data transfers, it must have an interrupt level available for the device performing the transfers. In this case, NI-DAQ uses interrupts for DMA controller reprogramming and exception handling.

## Using This Function

You can use this function to select the data transfer method for a given operation on a particular device. If you do not use this function, NI-DAQ decides on the data transfer method that typically takes maximum advantage of available resources.

All possible data transfer methods for the devices supported by NI-DAQ are listed below. If your device is not listed, none of the data transfer modes are applicable. The table also shows default values for data transfer modes and other settings. An asterisk indicates default value.

Device Type	infoType	infoValue
AT-AO-6/10	ND_DATA_XFER_MODE_AO_GR1	ND_INTERRUPTS ND_UP_TO_1_DMA_CHANNEL*
	ND_DATA_XFER_MODE_AO_GR2	ND_INTERRUPTS*
AT-DIO-32F	ND_DATA_XFER_MODE_DIO_GR1	ND_UP_TO_1_DMA_CHANNEL ND_UP_TO_2_DMA_CHANNELS*
	ND_DATA_XFER_MODE_DIO_GR2	ND_UP_TO_1_DMA_CHANNEL*
AT-DIO-32HS	ND_DATA_XFER_MODE_DIO_GR1	ND_INTERRUPTS ND_UP_TO_1_DMA_CHANNEL ND_UP_TO_2_DMA_CHANNELS*
	ND_DATA_XFER_MODE_DIO_GR2	ND_INTERRUPTS ND_UP_TO_1_DMA_CHANNEL ND_UP_TO_2_DMA_CHANNELS*
PCI-DIO-32HS PXI-6533	ND_DATA_XFER_MODE_DIO_GR1	ND_INTERRUPTS ND_UP_TO_1_DMA_CHANNEL*
	ND_DATA_XFER_MODE_DIO_GR2	ND_INTERRUPTS ND_UP_TO_1_DMA_CHANNEL*
	ND_ACK_REQ_EXCHANGE_GR1	ND_ON ND_OFF*
	ND_ACK_REQ_EXCHANGE_GR2	ND_ON ND_OFF*
	ND_CLOCK_REVERSE_MODE_GR1	ND_ON ND_OFF*
	ND_CLOCK_REVERSE_MODE_GR2	ND_ON ND_OFF*

Device Type	infoType	infoValue
DAQCard-6533	ND_DATA_XFER_MODE_DIO_GR1	ND_INTERRUPTS*
	ND_DATA_XFER_MODE_DIO_GR2	ND_INTERRUPTS*
	ND_ACK_REQ_EXCHANGE_GR1	ND_ON ND_OFF*
	ND_ACK_REQ_EXCHANGE_GR2	ND_ON ND_OFF*
	ND_CLOCK_REVERSE_MODE_GR1	ND_ON ND_OFF*
	ND_CLOCK_REVERSE_MODE_GR2	ND_ON ND_OFF*
AT-MIO-16 AT-MIO-16D	ND_DATA_XFER_MODE_AI	ND_INTERRUPTS ND_UP_TO_1_DMA_CHANNEL ND_UP_TO_2_DMA_CHANNELS*
	ND_DATA_XFER_MODE_AO	ND_INTERRUPTS*
AT-MIO-16E-1	ND_DATA_XFER_MODE_AI	ND_INTERRUPTS ND_UP_TO_1_DMA_CHANNEL ND_UP_TO_2_DMA_CHANNELS*
	ND_DATA_XFER_MODE_AO_GR1	ND_INTERRUPTS ND_UP_TO_1_DMA_CHANNEL*
	ND_DATA_XFER_MODE_GPCTR0	ND_INTERRUPTS ND_UP_TO_1_DMA_CHANNEL ND_UP_TO_2_DMA_CHANNELS*
	ND_DATA_XFER_MODE_GPCTR1	ND_INTERRUPTS ND_UP_TO_1_DMA_CHANNEL ND_UP_TO_2_DMA_CHANNELS*

Device Type	infoType	infoValue
AT-MIO-16E-2 NEC-MIO-16E-4 AT-MIO-64E-3	ND_DATA_XFER_MODE_AI	ND_INTERRUPTS ND_UP_TO_1_DMA_CHANNEL*
	ND_DATA_XFER_MODE_AO_GR1	ND_INTERRUPTS ND_UP_TO_1_DMA_CHANNEL*
	ND_DATA_XFER_MODE_GPCTR0	ND_INTERRUPTS ND_UP_TO_1_DMA_CHANNEL ND_UP_TO_2_DMA_CHANNELS*
	ND_DATA_XFER_MODE_GPCTR1	ND_INTERRUPTS ND_UP_TO_1_DMA_CHANNEL ND_UP_TO_2_DMA_CHANNELS*
AT-5411	ND_DATA_XFER_MODE_AO_GR1	ND_FOREGROUND* ND_AUTOMATIC
PCI-5411	ND_DATA_XFER_MODE_AO_GR1	ND_UP_TO_A_DMA_CHANNEL* ND_AUTOMATIC ND_FOREGROUND
PCI/PXI E Series devices	ND_DATA_XFER_MODE_AI	ND_INTERRUPTS ND_UP_TO_1_DMA_CHANNEL*
	ND_DATA_XFER_MODE_AO_GR1	ND_INTERRUPTS ND_UP_TO_1_DMA_CHANNEL*
	ND_DATA_XFER_MODE_GPCTR0	ND_INTERRUPTS ND_UP_TO_1_DMA_CHANNEL*
	ND_DATA_XFER_MODE_GPCTR1	ND_INTERRUPTS ND_UP_TO_1_DMA_CHANNEL*
	ND_AI_FIFO_INTERRUPTS	ND_AUTOMATIC* ND_INTERRUPT_EVERY_SAMPLE ND_INTERRUPT_HALF_FIFO

Device Type	infoType	infoValue
AT-AI-16XE-10 NEC-AI-16E-4 NEC-AI-16XE-50	ND_DATA_XFER_MODE_AI	ND_INTERRUPTS ND_UP_TO_1_DMA_CHANNEL*
	ND_DATA_XFER_MODE_GPCTR0	ND_INTERRUPTS ND_UP_TO_1_DMA_CHANNEL ND_UP_TO_2_DMA_CHANNELS*
	ND_DATA_XFER_MODE_GPCTR1	ND_INTERRUPTS ND_UP_TO_1_DMA_CHANNEL ND_UP_TO_2_DMA_CHANNELS*
AT-MIO-16F-5 AT-MIO-16X AT-MIO-64F-5	ND_DATA_XFER_MODE_AI	ND_INTERRUPTS ND_UP_TO_1_DMA_CHANNEL* ND_UP_TO_2_DMA_CHANNELS
	ND_DATA_XFER_MODE_AO_GR1	ND_INTERRUPTS ND_UP_TO_1_DMA_CHANNEL ND_UP_TO_2_DMA_CHANNELS
AT-MIO-16E-10 AT-MIO-16DE-10 AT-MIO-16XE-10 AT-MIO-16XE-50 NEC-MIO-16XE-50	ND_DATA_XFER_MODE_AI	ND_INTERRUPTS ND_UP_TO_1_DMA_CHANNEL
	ND_DATA_XFER_MODE_AO_GR1	ND_INTERRUPTS ND_UP_TO_1_DMA_CHANNEL ND_UP_TO_2_DMA_CHANNELS*
	ND_DATA_XFER_MODE_GPCTR0	ND_INTERRUPTS ND_UP_TO_1_DMA_CHANNEL ND_UP_TO_2_DMA_CHANNELS*
	ND_DATA_XFER_MODE_GPCTR1	ND_INTERRUPTS ND_UP_TO_1_DMA_CHANNEL ND_UP_TO_2_DMA_CHANNELS*
DAQCard-AI-16E-4 DAQCard-AI-16XE-50	ND_DATA_XFER_MODE_AI	ND_INTERRUPTS*
	ND_DATA_XFER_MODE_GPCTR0	ND_INTERRUPTS*
	ND_DATA_XFER_MODE_GPCTR1	ND_INTERRUPTS*

Device Type	infoType	infoValue
DAQPad-MIO-16XE-50	ND_DATA_XFER_MODE_AI	ND_INTERRUPTS*
	ND_DATA_XFER_MODE_AO_GR1	ND_INTERRUPTS*
	ND_DATA_XFER_MODE_GPCTRO	ND_INTERRUPTS*
	ND_DATA_XFER_MODE_GPCTR1	ND_INTERRUPTS*
	ND_AI_FIFO_INTERRUPTS	ND_INTERRUPT_EVERY_SAMPLE ND_INTERRUPT_HALF_FIFO ND_AUTOMATIC*
516 devices DAQCard-500/700	ND_DATA_XFER_MODE_AI	ND_INTERRUPTS*
DAQCard-700	ND_AI_FIFO_INTERRUPTS	ND_INTERRUPT_EVERY_SAMPLE ND_INTERRUPT_HALF_FIFO ND_AUTOMATIC*
LPM devices	ND_DATA_XFER_MODE_AI	ND_INTERRUPTS*
Lab-PC+ Lab-PC-1200 PCI-1200 (Rev. D and later)	ND_DATA_XFER_MODE_AI	ND_INTERRUPTS ND_UP_TO_1_DMA_CHANNEL*
	ND_DATA_XFER_MODE_AO_GR1	ND_INTERRUPTS*
	ND_AI_FIFO_INTERRUPTS	ND_INTERRUPT_EVERY_SAMPLE ND_INTERRUPT_HALF_FIFO ND_AUTOMATIC*
DAQCard-1200 DAQPad-1200 PCI-1200 (Rev. C and earlier) SCXI-1200 DAQPad-6020E	ND_DATA_XFER_MODE_AI	ND_INTERRUPTS*
	ND_DATA_XFER_MODE_AO_GR1	ND_INTERRUPTS*
	ND_AI_FIFO_INTERRUPTS	ND_AUTOMATIC* ND_INTERRUPT_EVERY_SAMPLE ND_INTERRUPT_HALF_FIFO

Device Type	infoType	infoValue
Lab-PC-1200AI	ND_DATA_XFER_MODE_AI	ND_INTERRUPTS ND_UP_TO_1_DMA_CHANNEL*
	ND_AI_FIFO_INTERRUPTS	ND_INTERRUPT_EVERY_SAMPLE  ND_INTERRUPT_HALF_FIFO ND_AUTOMATIC*
USB devices	ND_SUSPEND_POWER_STATE	ND_OFF ND_ON*
VXI-MIO-64E-1 VXI-MIO-64XE-10	ND_DATA_XFER_MODE_AI	ND_INTERRUPTS ND_UP_TO_1_DMA_CHANNEL*
	ND_DATA_XFER_MODE_AO_GR1	ND_INTERRUPTS ND_UP_TO_1_DMA_CHANNEL*
	ND_DATA_XFER_MODE_GPCTR0	ND_INTERRUPTS ND_UP_TO_1_DMA_CHANNEL*
	ND_DATA_XFER_MODE_GPCTR1	ND_INTERRUPTS ND_UP_TO_1_DMA_CHANNEL*
PCI-6602, PXI-6602	ND_DATA_XFER_MODE_GPCTR0 ND_DATA_XFER_MODE_GPCTR1 ND_DATA_XFER_MODE_GPCTR2 ND_DATA_XFER_MODE_GPCTR3 ND_DATA_XFER_MODE_GPCTR4 ND_DATA_XFER_MODE_GPCTR5 ND_DATA_XFER_MODE_GPCTR6 ND_DATA_XFER_MODE_GPCTR7	ND_INTERRUPTS ND_UP_TO_1_DMA_CHANNEL

NI-DAQ uses interrupts and DMA channels for data transfers. The DMA data transfers are typically faster, so you might want to take advantage of them. Remember that the data transfer modes `ND_UP_TO_1_DMA_CHANNEL` and `ND_UP_TO_2_DMA_CHANNELS` do not reserve the DMA channel or channels for a particular operation; they just authorize NI-DAQ to use them, if they are available.

(AT-MIO-16, AT-MIO-16D, AT-MIO-16F-5, AT-MIO-16X, AT-MIO-64F-5 only) If you are performing high-speed analog input, you can increase your performance by setting `ND_DATA_XFER_MODE_AI` to `ND_UP_TO_2_DMA_CHANNELS`. Using two DMA channels, these devices are able to chain across buffer boundaries caused by page breaks on AT-compatible computers or by buffer fragmentation caused by mapping virtual into physical memory. Notice that EISA computers provide their own DMA chaining mechanism and a single DMA channel is all that is necessary on these machines.

(AT-MIO-16F-5, AT-MIO-16X, AT-MIO-64F-5 only) If you want to use separate DMA channels for each of the analog output channels, you have to set `ND_DATA_XFER_MODE_AO` to `ND_UP_TO_2_DMA_CHANNELS` and `ND_DATA_XFER_MODE_AI` to `ND_INTERRUPTS`.

(AT-DIO-32F and AT-DIO-32HS) If you are performing high-speed digital input or output for group 1, setting `ND_DATA_XFER_MODE_DIO_GR1` to `ND_UP_TO_2_DMA_CHANNELS` makes both DMA channels available and can increase your performance. Use `ND_DATA_XFER_MODE_DIO_GR2` to achieve the same results for the AT-DIO-32HS.



## Timeout\_Config

---

### Format

**status = Timeout\_Config (deviceNumber, timeout)**

### Purpose

Establishes a timeout limit that is used by the synchronous functions to ensure that these functions eventually return control to your application. Examples of synchronous functions are DAQ\_Op, DAQ\_DB\_Transfer and WFM\_from\_Disk.

### Parameters

#### Input

Name	Type	Description
<b>deviceNumber</b>	i16	assigned by configuration utility
<b>timeout</b>	i32	number of timer ticks

### Parameter Discussion

**timeout** is the number of timer ticks. The duration of a tick is 55 ms (0.055 s), and there are approximately 18 ticks/s.

-1: Wait indefinitely (timeout disabled).

0 to  $2^{31}$ : Wait **timeout** \* 0.055 s before returning.

### Using This Function

The synchronous functions do not return control to your application until they have accomplished their task. If you have indicated a large amount of data and/or a slow acquisition or generation rate, you might want to terminate the function prematurely, short of restarting your computer. By calling `Timeout_Config` before calling the synchronous function, you can set an upper bound on the amount of time the synchronous function takes before returning. If the synchronous function returns the error code **timeOutError**, you know that the number of ticks indicated in the **timeout** parameter have elapsed and the synchronous function has returned because of the timeout.

The following is a list of the synchronous functions:

```

DIG_DB_Transfer
DAQ_DB_Transfer
Lab_ISCAN_Op
WFM_DB_Transfer
DAQ_Op

```

Lab\_ISCAN\_to\_Disk  
WFM\_from\_Disk  
DAQ\_to\_Disk  
SCAN\_Op  
WFM\_Op  
SCAN\_to\_Disk

## WFM\_Chan\_Control

---

### Format

**status = WFM\_Chan\_Control (deviceNumber, chan, operation)**

### Purpose

Temporarily halts or restarts waveform generation for a single analog output channel.

### Parameters

#### Input

Name	Type	Description
<b>deviceNumber</b>	i16	assigned by configuration utility
<b>chan</b>	i16	analog output channel
<b>operation</b>	i16	pause or resume

### Parameter Discussion

**chan** is the analog output channel to be paused or restarted.

Range: 0 or 1 for most devices.  
0 through 5 for AT-AO-6.  
0 through 9 for AT-AO-10.

**operation** selects the operation to be performed on the output channel.

**operation** = 2 (PAUSE): Temporarily halts waveform generation for the output channel. The last voltage available on the analog output channel is maintained indefinitely.

**operation** = 4 (RESUME): Restarts waveform generation for the output channel previously halted by **operation** = PAUSE.

### Using This Function



**Note** *This function does not support E Series devices.*

When you have halted a waveform generation has been halted by executing PAUSE, the RESUME operation restarts the waveform exactly at the point in your buffer where it left off.

AT-AO-6/10, AT-MIO-16X, and AT-MIO-64F-5 only—You can use the PAUSE and RESUME operations on group 1 output channels only if at least one of the following conditions is true:

- Group 1 consists of a single output channel.
- Group 1 is using interrupts instead of DMA.

AT-AO-6/10, AT-MIO-16X, and AT-MIO-64F-5 only—You will see a FIFO lag effect when you pause or resume group 1 channels. When you execute PAUSE for a group 1 channel, the effective pause does not occur until the FIFO has finished writing all of the data remaining in the FIFO for the specified channel. The same is true for the RESUME operation on a group 1 channel. NI-DAQ cannot place data for the specified channel into the FIFO until the FIFO has emptied. Refer to the *FIFO Lag Effect on the MIO E Series, AT-AO-6/10, AT-MIO-16X, AT-MIO-64F-5, PCI-4451, and PCI-4551* section of Chapter 3, *Software Overview*, of the *NI-DAQ User Manual for PC Compatibles* for a more detailed discussion.

## WFM\_Check

---

### Format

**status = WFM\_Check (deviceNumber, chan, wfmStopped, itersDone, pointsDone)**

### Purpose

Returns status information concerning a waveform generation operation.

### Parameters

#### Input

Name	Type	Description
<b>deviceNumber</b>	i16	assigned by configuration utility
<b>chan</b>	i16	number of the analog output channel

#### Output

Name	Type	Description
<b>wfmStopped</b>	i16	whether the waveform is still in progress
<b>itersDone</b>	u32	number of buffer iterations completed
<b>pointsDone</b>	u32	number of points written for the current buffer iteration

### Parameter Discussion

**chan** is the number of the analog output channel performing the waveform generation operation.

Range: 0 or 1 for most devices.  
 0 through 5 for AT-AO-6.  
 0 through 9 for AT-AO-10.

**wfmStopped** is a flag whose value indicates whether the waveform generation operation is still in progress. If the number of iterations indicated in the last `WFM_Load` call is 0, the status is always 0.

0: Ongoing operation.  
 1: Complete operation.

**itersDone** returns the number of buffer iterations that have been completed.

**pointsDone** returns the number of points written to the analog output channels specified in **chan** for the current buffer iteration. For devices that have analog output FIFOs, **pointsDone** returns the number of points written to the FIFO if **chan** belongs to group 1. Refer to the following *Using This Function* section for more information.

Range: 0 to **count** – 1, where **count** is the parameter used in the last WFM\_Load call.



**Note** *C Programmers*—**wfmStopped**, **itersDone**, and **pointsDone** are pass-by-reference parameters.

## Using This Function

WFM\_Check returns status information concerning the progress of a waveform generation operation. It is useful in determining when an operation has completed and when you can initiate a new operation.

A FIFO lag effect is seen for group 1 channels on devices with analog output FIFOs. **pointsDone** and **itersDone** indicate the number of buffer points currently written to the FIFO. There is a time lag from the point when the data is written to the FIFO to when the data is output to the DACs. This time lag is dependent upon the update rate. For example, if you had a buffer of 50 points that you wanted to send to analog output channel 0, the first call to WFM\_Check would have **itersDone** = 20. The FIFO would be filled up with 20 cycles of your 50-point buffer. Refer to the *FIFO Lag Effect on the MIO E Series, AT-AO-6/10, AT-MIO-16X, AT-MIO-64F-5, PCI-4451 and PCI-4551* section of Chapter 3, *Software Overview*, of the *NI-DAQ User Manual for PC Compatibles* for a more detailed discussion. **wfmStopped** is also affected by the FIFO lag, since **wfmStopped** indicates when the last point has actually been output.

On the PCI/PXI/CPCI E Series devices, you can effectively turn off the FIFO to eliminate the FIFO lag effect. Refer to the `AO_Change_Parameter` function.



**Note** *AT-MIO-16X, E Series devices, AT-MIO-64F-5, AT-AO-6/10, and 4451 devices only*—If you use FIFO mode waveform generation, **pointsDone** is always 0. If the generation is continuous (including pulsed waveform generation), the parameters **wfmStopped** and **itersDone** are always 0; otherwise **wfmStopped** and **itersDone** indicate the status of waveform generation operation.

## WFM\_ClockRate

---

### Format

**status = WFM\_ClockRate (deviceNumber, group, whichclock, timebase, interval, mode)**

### Purpose

Sets an update rate and a delay rate for a group of analog output channels.

### Parameters

#### Input

Name	Type	Description
<b>deviceNumber</b>	i16	assigned by configuration utility
<b>group</b>	i16	group of analog output channels
<b>whichclock</b>	i16	the update or delay clock
<b>timebase</b>	i16	resolution
<b>interval</b>	u32	timebase divisor
<b>mode</b>	i16	enables the delay clock

### Parameter Discussion

**group** is the group of analog output channels (see WFM\_Group\_Setup).

Range: 1 for most devices.  
1 or 2 for the AT-AO-6/10.

**whichclock** indicates the type of clock:

- 0: The update clock (default).
- 1: The delay clock.
- 2: The delay clock prescalar 1 (E Series devices only).
- 3: The delay clock prescalar 2 (E Series devices only).

Notice that you can program the delay clock only on the AT-MIO-16X, AT-MIO-64F-5, and E Series devices.

**timebase** is the timebase, or resolution, NI-DAQ uses in determining **interval**. **timebase** has the following possible values:

- 4: 40 MHz clock used as a timebase (25ns) (DAQArb 5411 only).
- 3: 20 MHz clock used as a timebase (50 ns) (E Series only).
- 1: 5 MHz clock used as timebase (200 ns resolution) (AT-MIO-16F-5, AT-MIO-64F-5, and AT-MIO-16X only)

- 0: If **whichclock** is equal to 0, the external clock is connected to OUT2 on the MIO-16 and AT-MIO-16D; to EXTDACUPDATE\* on the AT-MIO-16F-5, AT-MIO-64F-5, and AT-MIO-16X; to EXTUPDATE on the AT-AO-6/10 and Lab and 1200 Series analog output devices, or to a pin chosen through the `Select_Signal` function on an E Series device (default is PFI5).  
If **whichclock** is equal to 1, the external clock is connected to OUT2 on -the AT-MIO-16X and AT-MIO-64F-5.
- 1: 1 MHz clock used as timebase (1  $\mu$ s resolution) (Am9513-based devices only).
  - 2: 100 kHz clock used as timebase (10  $\mu$ s resolution).
  - 3: 10 kHz clock used as timebase (100  $\mu$ s resolution) (Am9513-based devices only).
  - 4: 1 kHz clock used as timebase (1 ms resolution) (Am9513-based devices only).
  - 5: 100 Hz clock used as timebase (10 ms resolution) (Am9513-based devices only).
  - 6: SOURCE1 used as timebase (Am9513-based MIO devices only).
  - 7: SOURCE2 used as timebase (Am9513-based MIO devices only).
  - 8: SOURCE3 used as timebase (Am9513-based MIO devices only).
  - 9: SOURCE4 used as timebase (Am9513-based MIO devices only).
  - 10: SOURCE5 used as timebase (Am9513-based MIO devices only).
  - 11: External timebase (E Series devices only).  
Connect your external timebase to PFI5, by default, or use the `Select_Signal` function to specify a different source.

On the MIO-16/16D, **timebase** = 0 sets counter 2 to the high-impedance state, allowing its output level to be externally driven by a signal connected to the OUT2 pin on the I/O connector. On the Lab and 1200 Series analog output devices, **timebase** = 0 allows the signal applied to the EXTUPDATE pin on the I/O connector to control the DAC update. On the AT-AO-6/10, **timebase** = 0 allows the signal applied to the EXTDACUPDATE from the I/O connector or RTSI bus to control the DAC update. On the AT-MIO-16F-5, AT-MIO-64F-5, and AT-MIO-16X, **timebase** = 0 allows the signal applied to the EXTDACUPDATE pin on the I/O connector to control the DAC update. Whenever an active low pulse is detected on one of these pins, the DACs in the group are updated. When **timebase** = 0, the value of **interval** is irrelevant. **timebase** = 1 through 5 selects one of the five available internal clock signals to be used in determining the update interval.

**interval** indicates the number of timebase units. If **whichclock** is 0, **interval** indicates the number of **timebase** units of time that elapse between voltage updates at the analog output channels in the group. If **whichclock** is 1, **interval** indicates the number of timebase units of time that elapse after reaching the last point in DAC FIFO before the next cycle begins. If **whichclock** is 2, **interval** indicates delay interval prescaler 1. If **whichclock** is 3, **interval** indicates delay interval prescaler 2.

Range: 2 through 65,535 for the MIO devices and DAQArb 5411 devices, except for E Series devices.  
2 through 16,777,216 for E Series devices.



The only internal timebases available on the E Series devices are 20 MHz and 100 kHz. If you use a **timebase** other than -3 or 2 for these devices, NI-DAQ performs the appropriate translation, if possible.



**Note** *If you are using an SCXI-1200 with remote SCXI, the maximum rate depends on the baud rate setting and updateRate. Refer to the SCXI-1200 User Manual for more details.*

**mode** depends on the **whichclock** parameter.

Range: 0, 1, or 2 for E Series devices.  
0 or 1 for the AT-MIO-16X and AT-MIO-64F-5.  
0 for all other devices.

**whichclock** = 0:

When **whichclock** is 0 (update clock), mode should be 0 for all other devices except for E Series devices. For these devices, **mode** is used to indicate the time of change of update rate, when a waveform is already in progress. If no waveform is in progress, **mode** is ignored. Set argument **mode** to 0 to indicate that you wish to change the update rate immediately. For E Series devices you cannot change the update rate when using FIFO pulsed waveform generation and waveform is already in progress.

**whichclock** = 1:

When **whichclock** is 1 (delay clock), mode indicates whether delay clock should be enabled or disabled. When **mode** is 1, NI-DAQ enables the delay clock. If you want to use FIFO pulse-waveform generation, you must set **mode** to 1. Notice that, if you enable delay clock, you must load finite iterations. If you load infinite iterations, NI-DAQ returns error code **fifoModeError**.

**whichclock** = 2:

**mode** is ignored in this case.

**whichclock** = 3:

Mode is ignored in this case.

If any of these conditions is not met, NI-DAQ returns **updateRateChangeError**.

## Using This Function

You can calculate the actual update rate in seconds from the timebase resolution selected by **timebase** and **interval**, as shown by the following example.

Suppose that **timebase** equals 2. On an MIO device, this value selects the 100 kHz internal clock signal, which provides counter 2 with a rising edge to count every 10  $\mu$ s, thus selecting the 10  $\mu$ s resolution. On Lab and 1200 Series analog output devices, if the total update interval given by (timebase resolution) \* **interval** is greater than 65,535  $\mu$ s, it programs counter B0

(if it is not busy in a data acquisition or a counting operation) to produce a clock of 100 kHz, which is used by the counter producing the update interval.

Also suppose that **interval** equals 25. This value indicates that counter 2 must count 25 rising edges of its input clock signal before issuing a request to produce a new voltage at the analog output channels.

The actual update rate in seconds is then  $25 * 10 \mu\text{s} = 250 \mu\text{s}$ . Thus, a new voltage is produced at the output channels every 250  $\mu\text{s}$ .

The frequency of a waveform is related to the update rate and the number of points in the buffer (indicated in an earlier call to `WFM_Load`) as follows, where the buffer contains one cycle of the waveform:

$$\text{frequency} = \text{update rate} / \text{points in the buffer}$$

You can make repeated calls to `WFM_ClockRate` to change the update rate of a waveform in progress. You cannot change the internal timebase already being used by the device, only the interval, and the following conditions must be met:

- **whichclock** is 0.
- You are not using FIFO pulsed waveform generation.
- The timebase has the value it had when you called this function before starting the waveform generation.
- At least one update was performed using the previously selected update interval to change the interval immediately; that is, when **mode** = 0.

If any of these conditions is not met, NI-DAQ returns **updateRateChangeError**.

To perform FIFO pulse waveform generation on an E Series device, you must use the same timebase for update and delay clock. You must specify the delay time as the product of four numbers:

$$\text{delay time} = \text{timebase period} * \text{delay interval} * \text{delay interval prescalar 1} * \text{delay interval prescalar 2}.$$

In this formula,

- Timebase period is a single period corresponding to the selected timebase (for example, 50 ns when the 20 MHz clock is used)
- Delay interval corresponds to the interval argument in this function when **whichclock** = 1.
- Delay interval prescalar 1 corresponds to the interval argument you use in this function when **whichclock** = 2. If you do not call this function with **whichclock** = 2, this interval is 1.

- Delay interval prescalar 2 corresponds to the interval argument you use in this function when **whichclock** = 3. If you do not call this function with **whichclock** = 3, this interval is 2.

When **whichclock** = 2, NI-DAQ ignores **timebase** and **mode** arguments. Legal range for delay interval prescalar 1 is 1 through  $2^{24}$ .

When **whichclock** = 3, NI-DAQ ignores **timebase** and **mode** arguments. Legal range for delay interval prescalar 2 is 2 through  $2^{24}$ .

Example:

Let us compute the delay time after the following sequence of function calls:

```
WFM_ClockRate(deviceNumber, group, 0, -3, 1000, 0)
```

```
WFM_ClockRate(deviceNumber, group, 1, -3, 4000, 1)
```

```
WFM_ClockRate(deviceNumber, group, 2, -3, 7000, 1)
```

In this case, timebase period is 50 ns, delay interval is 4,000, delay interval prescalar 1 is 7,000, delay interval prescalar 2 is 2, so the delay time is  $50 \text{ ns} \cdot 4000 \cdot 7000 \cdot 2 = 2,800,000,000 \text{ ns} = 2.8 \text{ s}$ .

Notice that the maximum possible delay time with the 20 MHz internal timebase is  $50 \text{ ns} \cdot 2^{24} \cdot 2^{24} \cdot 2^{24} = 7.5 \text{ million years}$ .

## WFM\_DB\_Config

---

### Format

**status = WFM\_DB\_Config (deviceNumber, numChans, chanVect, dbMode, oldDataStop partialTransferStop)**

### Purpose

Enables and disables the double-buffered mode of waveform generation.

### Parameters

#### Input

Name	Type	Description
<b>deviceNumber</b>	i16	assigned by configuration utility
<b>numChans</b>	i16	number of analog output channels
<b>chanVect</b>	[i16]	channel numbers
<b>dbMode</b>	i16	enables or disables the double-buffered mode
<b>oldDataStop</b>	i16	allow or disallow regeneration of data
<b>partialTransferStop</b>	i16	whether to stop when a partial half buffer is transferred

### Parameter Discussion

**numChans** indicates the number of analog output channels specified in the array **chanVect**.

Range: 1 or 2 for most devices.  
 1 through 6 for AT-AO-6.  
 1 through 10 for AT-AO-10.

**chanVect** is the user array of channel numbers.

Channel number range:  
 0 or 1 for most devices.  
 0 through 5 for AT-AO-6.  
 0 through 9 for AT-AO-10.

**dbMode** is a flag whose value either enables or disables the double-buffered mode of waveform generation.

0: Double-buffered mode disabled.  
 1: Double-buffered mode enabled.

**oldDataStop** is a flag whose value enables or disables the mechanism whereby NI-DAQ stops the waveform generation when NI-DAQ it is about to generate old data (data that has already been generated) a second time. Setting **oldDataStop** to 1 ensures seamless double-buffered waveform generation.

- 0: Allow regeneration of data.
- 1: Disallow regeneration of data.

**partialTransferStop** is a flag indicating whether to stop waveform generation when NI-DAQ transfers a partial half buffer to the analog output buffer using a `WFM_DB_Transfer` call. NI-DAQ stops the waveform when NI-DAQ has output the partial half buffer.

- 0: Allow partial half buffer transfers.
- 1: Stop waveform generation after partial half buffer transfers.

## Using This Function

Use `WFM_DB_Config` to turn double-buffered waveform generation on and off. With the double-buffered mode enabled, you can use `WFM_DB_Transfer` to transfer new data into the waveform buffer (selected by `WFM_Load`) as NI-DAQ generates the waveform. Because of the extra bookkeeping involved, unless you are going to use `WFM_DB_Transfer`, you should leave double buffering disabled. Refer to Chapter 5, *NI-DAQ Double Buffering*, of the *NI-DAQ User Manual for PC Compatibles* for a detailed discussion of double buffering.

If you are using DMA, enabling **partialTransferStop** (or **oldDataStop**) causes an artificial split in the waveform buffer, which requires DMA reprogramming at the end of each half buffer. Therefore, you should only enable these options if necessary.

(AT-AO-6/10 only) For double-buffered waveform generation with group 1 channels using DMA: If **oldDataStop** is enabled, partial half buffer transfers (using `WFM_DB_Transfer` calls) are only allowed if **partialTransferStop** is enabled.

For double-buffered waveform generation with group 1: The total number of points for all the group 1 channels (specified in `WFM_Load`) should be at least twice the size of the FIFO. Refer to the *AT-AO-6/10 User Manual* for information on the AT-AO-6/10 FIFO size.

(AT-MIO-16F-5 only) When using the double-buffered waveform generation and **oldDataStop** mode is enabled, the driver can alter bit 15 of the data points in the waveform buffer.

## WFM\_DB\_HalfReady

---

### Format

**status = WFM\_DB\_HalfReady (deviceNumber, numChans, chanVect, halfReady)**

### Purpose

Checks if the next half buffer for one or more channels is available for new data during a double-buffered waveform generation operation. You can use `WFM_DB_HalfReady` to avoid the waiting period that can occur with the double-buffered transfer functions.

### Parameters

#### Input

Name	Type	Description
<b>deviceNumber</b>	i16	assigned by configuration utility
<b>numChans</b>	i16	number of analog output channels
<b>chanVect</b>	[i16]	channel numbers

#### Output

Name	Type	Description
<b>halfReady</b>	i16	whether the next half buffer is available for new data

### Parameter Discussion

**numChans** indicates the number of analog output channels specified in the array **chanVect**.

**chanVect** is the user array of channel numbers indicating which analog output channels are to be checked to see if the next half buffer for that channel is available.

Channel number range:

- 0 or 1 for most devices.
- 0 through 5 for AT-AO-6.
- 0 through 9 for AT-AO-10.

**halfReady** indicates whether the next half buffer for all of the channels specified in **chanVect** is available for new data. When **halfReady** equals 1, you can use `WFM_DB_Transfer` to write new data to the next half buffer(s) immediately. When **halfReady** equals 0, the next half buffer for one or more channels is not ready for new data.



**Note** *C Programmers—halfReady is a pass-by-reference parameter.*

## Using This Function

Double-buffered waveform generation functions cyclically output data from the waveform buffer (specified in `WFM_Load`). The waveform buffer is divided into two equal halves so that NI-DAQ can write data from one half of the buffer to the output channels while filling the other half of the buffer with new data. This mechanism makes it necessary to write to both halves of the waveform buffer alternately so that NI-DAQ does not output the old data. Use `WFM_DB_Transfer` to transfer new data to a waveform buffer half. Both of these functions, when called, wait until NI-DAQ can complete the data transfer before returning. During slower paced waveform generation operations, this waiting period can be significant. You can use `WFM_DB_HalfReady` to call the transfer functions only when NI-DAQ can make the transfer immediately.

Refer to the *Double-Buffered Waveform Generation Applications* section, in Chapter 5 of the *NI-DAQ User Manual for PC Compatibles*, for an explanation of double buffering.

## WFM\_DB\_Transfer

---

### Format

**status = WFM\_DB\_Transfer (deviceNumber, numChans, chanVect, buffer, count)**

### Purpose

Transfers new data into one or more waveform buffers (selected in `WFM_Load`) as waveform generation is in progress. `WFM_DB_Transfer` waits until NI-DAQ can transfer the data from the buffer to the waveform buffers.

### Parameters

#### Input

Name	Type	Description
<b>deviceNumber</b>	i16	assigned by configuration utility
<b>numChans</b>	i16	number of analog output channels
<b>chanVect</b>	[i16]	channel numbers
<b>count</b>	u32	number of new data points

#### Output

Name	Type	Description
<b>buffer</b>	[i16]	new data that is to be transferred

### Parameter Discussion

**numChans** indicates the number of analog output channels specified in the array **chanVect**.

Range: 1 or 2 for most devices.  
 1 through 6 for AT-AO-6.  
 1 through 10 for AT-AO-10.

**chanVect** is the array of channel numbers indicating which analog output channels are to receive new data from the buffer.

Channel number range:  
 0 or 1 for most devices.  
 0 through 5 for AT-AO-6.  
 0 through 9 for AT-AO-10.



**buffer** is the array of new data that is to be transferred into the waveform buffer(s).

WFM\_DB\_Transfer can transfer new data to more than one waveform buffer, except on PCI E Series devices. For example, if two channels use separate waveform buffers (you called WFM\_Load once for each channel), you can use a single call to WFM\_DB\_Transfer to transfer data to both waveform buffers. If **numChans** is greater than 1, the data in the **buffer** must be interleaved and data for each channel must follow the order given in **chanVect**.

**count** holds the number of new data points contained in **buffer**. When you make repeated calls to WFM\_DB\_Transfer during a waveform generation, it is most efficient if the amount of data transferred for each channel is equal to one-half the number of data points for the channel in the channel's waveform buffer. For example, suppose channel 0 is using a waveform buffer of size 100 and channel 1 are each is using a waveform buffer of size 100. WFM\_DB\_Transfer should transfer 50 to channel 0 and 50 to channel 1, giving **count** a value of 100. If NI-DAQ makes transfers to more than one waveform buffer, it is most efficient if all the waveform buffers contain the same number of samples for each channel.

(AT-AO-6/10 only) For group 1 channels using DMA, if you enable **oldDataStop**, transfers of less than half the number of samples in the circular waveform buffer are only allowed if you enable **partialTransferStop**.

## Using This Function

Use WFM\_DB\_Transfer to transfer new data into one or more waveform buffers as waveform generation is in progress. The double-buffered mode, with **oldDataStop** set to 1, ensures that NI-DAQ generates each data point for a specified output channel exactly once. If **partialTransferStop** is enabled, a transfer of less than half of the waveform buffer size of a channel stops the waveform generation when NI-DAQ has output the partial half buffer.

(AT-MIO-16F-5 only) If the waveform buffer that you used in calling WFM\_Load was aligned by calling Align\_DMA\_Buffer, WFM\_DB\_Transfer automatically indexes to the correct starting index in the waveform buffer, if necessary. You need not align the buffer used in the WFM\_DB\_Transfer call.

## WFM\_from\_Disk

---

### Format

**status = WFM\_from\_Disk (deviceNumber, numChans, chanVect, fileName, startPt, endPt, iterations, rate)**

### Purpose

Assigns a disk file to one or more analog output channels, selects the rate and the number of times the data in the file is to be generated, and starts the generation. `WFM_from_Disk` always waits for completion before returning, unless you call `Timeout_Config`.

### Parameters

#### Input

Name	Type	Description
<b>deviceNumber</b>	i16	assigned by configuration utility
<b>numChans</b>	i16	number of analog output channels
<b>chanVect</b>	[i16]	channel numbers
<b>fileName</b>	STR	name of the data file containing the waveform data
<b>startPt</b>	u32	place in a file where waveform generation is to begin
<b>endPt</b>	u32	place in a file where waveform generation is to end
<b>iterations</b>	u32	number of times generated
<b>rate</b>	f64	desired rate in points per second

### Parameter Discussion

**numChans** indicates the number of analog output channels specified in the array **chanVect**.

**chanVect** is the array of channel numbers indicating which analog output channels are to receive output data from the file.

Channel number range:

- 0 or 1 for most devices.
- 0 through 5 for AT-AO-6.
- 0 through 9 for AT-AO-10.

**fileName** is the name of the data file containing the waveform data. For MIO devices (except AT-MIO-16X, PCI-MIO-16XE-10, and VXI-MIO-64XE-10), AT-AO-6/10, and Lab and 1200 Series analog output devices, the file must contain integer data ranging from 0 to 4,095 for unipolar mode and from -2,048 to 2,047 for bipolar mode. For an AT-MIO-16X or a PCI-MIO-16XE-10, the file must contain integer data ranging from 0 to 65,535 for unipolar mode, and from -32,768 to +32,767 for bipolar mode.

For DSA devices, the file must contain integer data ranging from -131,072 to +131,071. Each data point is 32 bits wide but only the most significant 18 bits are used. The lower 14 bits are ignored and should be zero. You can move each data point into the upper 18 bits with a left shift operation or by multiplying it by 16,384.

**startPt** is the place in a file where waveform generation is to begin.

Range: 1 through the number of samples in the file.

**endPt** is the place in a file where waveform generation is to end. A value of 0 for **endPt** has a special meaning. When **endPt** equals 0, waveform generation proceeds to the end of the file and wrap around to **startPt** if **iterations** is greater than 1.

Range: 1 through the number of samples in the file.

**iterations** is the number of times the data in the file is generated.

Range: 1 through  $2^{32} - 1$ .

**rate** is the rate of waveform generation you want in points per second (pts/s). A value of 0.0 for **rate** means that external update pulses (applied to OUT2 for the MIO-16 and AT-MIO-16D, to EXTDACUPDATE for the AT-MIO-16F-5, AT-MIO-64F-5, and AT-MIO-16X, and to EXTUPDATE for the AT-AO-6/10 and Lab and 1200 Series analog output devices) determines the waveform generation rate. If you are using an E Series device, see the `Select_Signal` function for information about the external timing signals.

Range: 0.0 for external update or approximately 0.0015 to 500,000 pts/s. Your maximum rate depends on your device type and your computer system.

If the number of points that represent one cycle of the waveform equals **count**, the frequency of the generated waveform is related to the **rate** by this the following formula:

$$\text{frequency} = (\text{rate}/\text{count}) \text{ cycles/s}$$

## Using This Function

`WFM_from_Disk` initiates a waveform generation operation. NI-DAQ writes the portion of data in the file determined by **startPt** and **endPt** to the specified analog output channels at a rate as close to the rate you want as the hardware permits (see `WFM_Rate` for further explanation). If **numChans** is greater than one, NI-DAQ writes the data values from file to the DAC in ascending order. `WFM_from_Disk` always waits until the requested number of file iterations is complete before returning.

If you have changed the analog output configuration from the defaults by changing the jumpers on the device, you must call `AO_Configure` to set the software copies of the settings prior to calling `WFM_from_Disk`.

NI-DAQ ignores the group settings made by calling `WFM_Group_Setup` when you call `WFM_from_Disk`. `WFM_from_Disk` and the settings are not changed after you execute `WFM_from_Disk`.



**Note** *For the MIO-16 and AT-MIO-16D, counter 2 must be available in order to use waveform generation. If an interval scan is in progress (see `SCAN_Start`) or a CTR function is using counter 2, waveform generation cannot proceed.*

For the AT-MIO-16F-5, AT-MIO-64F-5, and AT-MIO-16X, you can use counters 1, 2, and 5, as well as a dedicated external update signal, to generate either interrupts or DMA requests. If you use counter 1 or 2, a RTSI line must also be available. NI-DAQ uses the first available counter among counters 5, 2, and 1, in that order.

For Lab and 1200 Series analog output devices, if the rate is smaller than 15.26 pts/s and counter B0 is busy in a data acquisition or counting operation, waveform generation cannot proceed.

On Am9513-based devices, to externally trigger a waveform generation operation, you can do so by first changing the gating mode of the counter NI-DAQ uses.

`WFM_from_Disk` uses either the default gating mode (none) or the gating mode you specify through the `CTR_Config` function. You need to connect your trigger signal to the gate pin on the I/O connector. Refer to the `CTR_Config` function description for details.

On a variety of E Series devices, you can externally trigger a waveform generation in a variety of ways. Refer to the `Select_Signal` function for more details.

## WFM\_Group\_Control

---

### Format

**status = WFM\_Group\_Control (deviceNumber, group, operation)**

### Purpose

Controls waveform generation for a group of analog output channels.

### Parameters

#### Input

Name	Type	Description
<b>deviceNumber</b>	i16	assigned by configuration utility
<b>group</b>	i16	group of analog output channels
<b>operation</b>	i16	operation to be performed

### Parameter Discussion

**group** is the group of analog output channels (see `WFM_Group_Setup`).

Range: 1 for most devices.  
1 or 2 for the AT-AO-6/10.

**operation** selects the operation NI-DAQ is to perform for the group of output channels.

**operation = 0 (CLEAR):** Terminates a waveform operation for the group of analog output channels. The last voltage produced at the DAC is maintained indefinitely. After you execute CLEAR for an analog output group, you must call `WFM_Load` before you can restart waveform generation using **operation = START**.  
(AT-MIO-16F-5 only) If you aligned the data buffer used in the waveform generation by calling `Align_DMA_Buffer`, CLEAR unaligns the buffer. That is, the data samples start at index 0 of the buffer. If you want to use the same buffer again for waveform generation, you must call `Align_DMA_Buffer` again before calling `WFM_Load`.

**operation = 1 (START):** Initiates waveform generation at the analog output channels in group. Your application must call **operation = CLEAR** before terminating, if START is executed. If you do not execute CLEAR, unpredictable behavior might result.



**Note** *If you invoke this function to clear continuous waveform generation that was stopped previously because of an underflow error, `WFM_Group_Control` does not report the occurrence of the underflow error. If you want to check for this type of error, invoke function `WFM_Check` prior to invoking `WFM_Group_Control` to clear waveform generation.*



**Note** *For the MIO-16/16D, counter 2 must be available in order to use waveform generation. If an interval scan is in progress (see `SCAN_Start`) or a `CTR` function is using counter 2, waveform generation cannot proceed.*

*For Lab and 1200 Series analog output devices, if the rate is smaller than 15.26 pts/s and counter B0 is busy in a data acquisition operation, waveform generation cannot proceed.*

*For the AT-MIO-16F-5, AT-MIO-64F-5, and AT-MIO-16X, one of the counters 1, 2, or 5 must be available. NI-DAQ uses the first available counter among counters 5, 2, and 1, in that order. If counter 5 is in use, and NI-DAQ is forced to use counters 2 or 1, a RTSI line must also be available.*

*On Am9513-based MIO devices, to trigger a waveform generation operation externally, you can do so by first changing the gating mode of the counter NI-DAQ uses.*

*On Am9513-based MIO devices, `WFM_OP` uses either the default gating mode (none) or the gating mode you specify through the `CTR_Config` function. You need to connect your trigger signal to the gate pin on the I/O connector.*

**operation** = 2 (PAUSE): Temporarily halts waveform generation for the group of channels. NI-DAQ maintains the last voltage written to the DAC indefinitely.



**Note** *This value of **operation** = 2 is not supported for the AT bus E Series devices (except the AT-MIO-16XE-10), the 4451 devices, the 4551 devices, or the DAQArb 5411 devices.*

**operation** = 4 (RESUME): Restarts waveform generation for the group of channels that previously halted by **operation** = PAUSE.



**Note** *This value of **operation** = 4 is not supported for the AT bus E Series devices (except the AT-MIO-16XE-10), the 4451 devices, the 4551 devices, or the DAQArb 5411 devices.*

When you have halted a waveform generation by executing PAUSE, RESUME restarts the waveform exactly at the point in your buffer where it left off. If  $n$  iterations of the buffer remained to be completed when you executed **operation** = PAUSE, those  $n$  iterations are

generated after NI-DAQ executes RESUME. RESUME restarts waveform generation if NI-DAQ has completed the number of iterations specified in `WFM_Load`.

**operation = 5 (STEP):** This operation initiates a waveform generation at the analog output channels in the group when the trigger mode has been set up to STEPPED or BURST using `AO_Change_Parameter` call. To advance to the next stage defined in the sequence list, call `WFM_Group_Control` again with **operation = STEP**. In this way, you can step through all of the stages defined in the sequence list.



**Note** *This value of operation = STEP is supported for the DAQArb 5411 devices only.*

## WFM\_Group\_Setup

---

### Format

**status = WFM\_Group\_Setup (deviceNumber, numChans, chanVect, group)**

### Purpose

Assigns one or more analog output channels to a waveform generation group. A call to `WFM_Group_Setup` is only required for the AT-AO-6/10. By default, both analog output channels for the MIO devices and the Lab-PC+ are in group 1.

### Parameters

#### Input

Name	Type	Description
<b>deviceNumber</b>	i16	assigned by configuration utility
<b>numChans</b>	i16	number of analog output channels
<b>chanVect</b>	[i16]	channel numbers
<b>group</b>	i16	group number

### Parameter Discussion

**numChans** indicates the number of analog output channels specified in the array **chanVect**. A 0 clears the channel assignments for group.

Range: 0 through 2 for most devices.  
 0 through 6 for AT-AO-6.  
 0 through 10 for AT-AO-10.  
 1 for DAQArb 5411 devices.

**chanVect** is your array of channel numbers indicating which analog output channels are in a group.

Channel number range:  
 0 or 1 for most devices.  
 0 through 5 for AT-AO-6.  
 0 through 9 for AT-AO-10.  
 0 for DAQArb 5411 devices.

**group** is the group number.

Range: 1 for most devices.  
 1 or 2 for AT-AO-6/10.



## Using This Function

For the AT-AO-6/10, you can assign analog output channels to one of two waveform generation groups. Each group has a separate update clock source. You can assign different update rates to each group by calling `WFM_ClockRate`.

Also you cannot split channel pairs between groups (channel pairs are 0 and 1, 2 and 3, 4 and 5, and so on) for the AT-AO-6/10. For example, you can assign channel 4 alone to group 1, but you cannot then assign channel 5 to group 2.

When you use the AT-AO-6, restrictions on group 1 assignments are as follows:

- 0 to  $n$ , where  $n \leq 5$  and the channel list is consecutive, or any one channel.
- Uses interrupts/DMA with FIFO.
- Interrupt when the FIFO is half full; thus, group 1 will be faster than group 2, even when interrupts are used for both.
- If more than one channel is in the channel list, then channel 0 must be the first channel in that list.

The restrictions for AT-AO-6 group 2 assignments are as follows:

- Channels 0 or 1 cannot be in group 2.
- Uses interrupts only.

Restrictions on AT-AO-10 group assignments are as follows:

- All rules of assignment for the AT-AO-6 apply to the AT-AO-10.
- 0 to  $n$ , where  $n \leq 9$  and the channel list is consecutive, or any one channel.
- If exactly one channel is assigned to group 1, it cannot be channel 8 or 9.

## WFM\_Load

---

### Format

**status = WFM\_Load (deviceNumber, numChans, chanVect, buffer, count, iterations, mode)**

### Purpose

Assigns a waveform buffer to one or more analog output channels and indicates the number of waveform cycles to generate.

### Parameters

#### Input

Name	Type	Description
<b>deviceNumber</b>	i16	assigned by configuration utility
<b>numChans</b>	i16	number of analog output channels
<b>chanVect</b>	[i16]	channel numbers
<b>buffer</b>	[i16]	values that are converted to voltages by DACs
<b>count</b>	u32	number of points in the buffer
<b>iterations</b>	u32	number of times the waveform generation steps through <b>buffer</b>
<b>mode</b>	i16	enables or disables FIFO mode

### Parameter Discussion

**numChans** indicates the number of analog output channels specified in the array **chanVect**.

Range:

- 1 or 2 for most devices.
- 1 through 6 for AT-AO-6.
- 1 through 10 for AT-AO-10.
- 1 for DAQArb 5411 devices.

**chanVect** is the array of channel numbers indicating to which analog output channels the buffer to be assigned.

Channel number range:

- 0 or 1 for most devices.
- 0 through 5 for AT-AO-6.
- 0 through 9 for AT-AO-10.
- 0 for DAQArb 5411 devices.

**buffer** is an array of integer values that are converted to voltages by DACs. If your device has 12-bit DACs, the data ranges from 0 to 4,095 in unipolar mode and from -2,048 to 2,047 in bipolar mode. If your device has 16-bit DACs, the data ranges from 0 to 65,535 in unipolar mode and from -32,768 to +32,767 in bipolar mode.



**Note** *For all devices except the DAQArb devices, data points for the output channels need to be interleaved when you set up the buffer parameter.*

The DSA devices have 18-bit DACs and operate only in bipolar mode. Data ranges from -131,072 to +131,071. For DSA devices each buffer element is 32 bits wide. Each data point goes in the upper 18 bits of its buffer element. You should set the lower 14 bits to zero. You can move each data point into the upper 18 bits with a left shift operation or by multiplying it by 16,384.



**Note** *The following information applies to DAQArb 5411 devices only:*

Refer to the **mode** parameter description to learn more about different modes and staging.

**Table 2-39.** Data Ranges for the Buffer Parameter for DAQArb 5411 Devices

Mode	Data Range	Buffer
0	not supported	Not supported
1, 2, 3	-32,768 to +32,767	Contains data values that are converted to voltages by the DAC
4	-32,768 to +32,767	Contains stages for generating multiple waveforms

**count** is the number of points in your buffer. When you use interleaved waveform generation, **count** should be a multiple of **numChans** and not less than  $2 * \text{numChans}$ . When you use double-buffered interleaved waveform generation, **count** should not be less than  $4 * \text{numChans}$ .

Range: 1 through  $2^{32} - 1$  (most devices).  
2 through  $2^{24}$  (E Series and 4451 devices).

On the PCI-61XX devices, the buffer must contain an even number of samples because of the 32-bit FIFO.



**Note** *The following information applies to DAQArb 5411 devices only:*

**Table 2-40.** Mode Values for the Count Parameter for DAQArb 5411 Devices

Mode	Count
0	not supported
1	Minimum count is 256 samples. Must be a multiple of 8 samples. Maximum count = size of the memory; that is, if memory size = 2 MB, maximum number of samples = 2,000,000.
2	Must be equal to 16,384 samples. If you load less samples, you will see the contents of unfilled sections of memory also appearing in the waveform generation in this mode.
3	Minimum count = 256 samples. Must be a multiple of 8 samples. Maximum number of samples depends on the number of times you have called <code>WFM_Load</code> consecutively in this mode. The total of all counts loaded should be less than or equal to the size of the memory. If memory size = 2 MB, it should be less than or equal to 2,000,000.
4	The count depends on the number of stages being loaded. Because this mode is valid only after you have called <code>WFM_Load</code> with <b>mode 2</b> or <b>mode 3</b> , the maximum number of stages depend on the <b>mode</b> that was called earlier.  Maximum count occurs when: <b>mode 2</b> was called earlier = 340 stages <b>mode 3</b> was called earlier = 290 stages

**iterations** is the number of times the waveform generation steps through **buffer**. A value of 0 means that waveform generation proceeds indefinitely.

Range: 0 through  $2^{32} - 1$ .

Enabling FIFO mode waveform generation places some restrictions on the allowable values for the **iterations** parameter. Refer to the **mode** parameter description below.

Enabling pulsed FIFO mode waveform generation by turning on the delay clock via `WFM_ClockRate` places two additional restrictions on the allowed values of **iterations** and also changes its meaning. Setting **iterations** to 0 is not allowed. Setting **iterations** to 1 is not allowed if you are using an AT-MIO-16X or AT-MIO-64F-5. Also, instead of determining the number of times the waveform generation steps through **buffer** before stopping, pulsed FIFO mode causes the **iterations** setting to determine the number of times the data in the FIFO is generated before pausing for the specified delay. Once the delay has elapsed, the data in the FIFO is generated again. In other words, when you use pulsed FIFO mode, the value of **iterations** determines the number of cycles through the FIFO that occurs between delays,

and the pattern of waveform followed by delay followed by waveform and so on, which goes on indefinitely (for devices other than DAQArb 5411 devices).



**Note** *The following information applies to DAQArb 5411 devices only.*

**Table 2-41.** Mode Values for the Iterations Parameter for DAQArb 5411 Devices

Mode	Iterations
0	not supported
1	0 for continuous cyclic waveform generation. 1 through 65,535 for programmed cyclic waveform generation.
3	<p><b>iterations</b> takes on a meaning of buffer ID. To load multiple buffers into the memory for arbitrary waveform generation, you can call <code>WFM_Load</code> a multiple number of times with <b>mode</b> set to 2. For the first buffer loaded, set the <b>iterations</b> parameter to 0. You must continue to increment the iterations parameter by 1 every time you call <code>WFM_Load</code> with <b>mode</b> = 2. The value of iterations parameter becomes the number I/D for that buffer being loaded. To generate those buffers, call <code>WFM_Load</code> with <b>mode</b> = 4. You can refer to those buffers by their buffer/ID.</p> <p><b>Note:</b> If you call <code>WFM_Load</code> in this mode with the iterations parameter not set to one more than it was for the previous <code>WFM_Load</code>, you receive an error condition. You do not have to load all the previous buffers in such an error condition. You can load the new buffer with the corrected value for iterations parameter. Loading a buffer with the iterations parameter set to 0 clears all the previous buffers.</p>
2	Ignored. Set it to 0.
4	Ignored. Set it to 0.

**mode** allows you to indicate whether to use FIFO mode waveform generation, if your device has a FIFO.

Range: 0 or 1 for most devices.  
 0 for all other devices.  
 1, 2, 3, or 4 for the DAQArb 5411 devices.



**Note** *To determine the size of the analog output FIFO on your board, refer to your hardware manual.*

When **mode** is 0, NI-DAQ does not use FIFO mode waveform generation. When **mode** is 1 and all of the following conditions are satisfied, NI-DAQ uses FIFO mode waveform generation:

- The waveform buffer is small enough to reside in the DAC FIFO. If you load more than one channel, the total number of points must be less than or equal to the FIFO size.
- You have not enabled double-buffered waveform generation mode.
- For the AT-AO-6/10, iterations must be 0. For the AT-MIO-16X and AT-MIO-64F-5, iterations can be:
  - 0 for continuous cyclic waveform generation.
  - 1 through 65,535 inclusive for programmed cyclic waveform generation.
  - 2 through 65,535 inclusive for pulsed waveform generation.
- All the channels listed in **chanVect** must belong to group 1.
- If more than one channel of group 1 is loaded, the number of points per channel and iterations are the same for each channel. Also, all the channels of group 1 must have the same **mode**.

NI-DAQ returns error **fifoModeError** if any of the previously described conditions is not satisfied and **mode** is 1. If you call the `WFM_Load` function several times to load different channels, the `WFM_Group_Control` function checks for conditions 1 and 5.



**Note** *On PCI/PXI/PCIE Series devices, you cannot load multiple buffers for a single group.*

When **mode** is 1 and you have enabled the delay clock (see the `WFM_ClockRate` function), the waveform generation proceeds until it is stopped by software. In this case, **iterations** indicates how many times the waveform is generated between delays.



**Note** *The following information applies to DAQArb 5411 devices only.*



**Note** *Before you go on to modes 2, 3, and 4, you need to understand some terms introduced in the following paragraphs.*

A *sequence list* is used in staging-based waveform generation for linking, looping, and generating multiple waveforms stored on the on-board memory. The sequence list has a list of entries. Each entry is called a *stage*. Each stage specifies which waveform to generate and other associated settings for that waveform (for example, the number of loops).

For staging-based waveform generation, you first must load all the data buffers (using **mode** = 2 or **mode** = 3) and then you can load the sequence list (using **mode** = 4).

Use **mode** = 2 for loading waveforms that are repetitive in nature and in which very high frequency resolution is required. This **mode** is referred to as DDS (Direct Digital Synthesis) mode. For more details on the DDS mode, refer to Chapter 16, *DAQArb 5411 Devices*, in the

*DAQ Hardware Overview Guide*. You must use the entire 16,384 points of buffer to define one cycle of your waveform. For example, to generate different frequencies of a sinusoidal waveform, you must load only one cycle of a sine wave to fit the entire 16,384 points of the buffer. To generate different frequencies of the loaded waveform, you must then call `WFM_Load` again with **mode** = 4. Notice that only one buffer is allowed for a mode of 2.

Use **mode** = 3 for loading waveforms which are arbitrary in nature and for which very deep memory is required. Very complex waveforms also can be generated using the linking and looping capabilities of the device in this mode. This mode is referred to as arbitrary waveform generation (ARB) mode. For more details on the ARB mode, refer to Chapter 16, *DAQArb 5411 Devices*, in the *DAQ Hardware Overview Guide*. The minimum size of the buffer is 256 samples, and the total number of samples must be a multiple of 8 samples. You can call `WFM_Load` a multiple number of times, consecutively, to load different buffers. When you do this, you must assign each buffer an ID using the **iterations** parameter. The first buffer should have an ID of 0 and the successive buffers always should have the buffer ID of one more than the previously loaded buffer. To generate a sequence of these buffers in the order you want, call `WFM_Load` again with **mode** = 4. Notice that a multiple number of buffers are allowed for mode of 3.

Use **mode** = 4 for loading a sequence list of buffers (for ARB mode) or frequencies (DDS mode) to be generated. Each stage in the sequence list is an array of 16-bit values. The total number of these 16-bit values for a stage depends on the previous mode `WFM_Load` mode being 2 or 3. The structure of this array for one stage in the DDS and ARB mode is as follows.

## DDS Mode

**Table 2-42.** Array Structures for DDS Mode

Frequency	Array Element
DDS Frequency Word [63:48]	← Array element 0 (range 0 to 65,535)
DDS Frequency Word [47:32]	← Array element 1 (range 0 to 65,535)
DDS Frequency Word [31:16]	← Array element 2 (range 0 to 65,535)
DDS Frequency Word [15:0]	← Array element 3 (range 0 to 65,535)
Duration in 5 MHz Intervals [31:16]	← Array element 4 (range 0 to 65,535)
Duration in 5 MHz Intervals [15:0]	← Array element 5 (range 0 to 65,535)

For each stage, DDS Frequency Word specifies the frequency to be generated of the waveform loaded into the DDS lookup memory. DDS Frequency Word is 64 bits long and is divided into four 16-bit unsigned words as shown in the array.

Assume the following conditions:

Update rate of the waveform is =  $U$  Hz,

Accumulator size is =  $n$  bits,

Desired frequency is =  $f$  Hz

Then, the DDS Frequency word [63:0] is =  $(f * 2^n)/U$ .



**Note** For the DAQArb 5411, accumulator size  $n$  is 32 bits.

Example: If one cycle of sine wave already is loaded into the lookup memory by calling WFM\_Load with **mode** = 2 and  $U = 40$  MHz, use the following formulas for the frequency you want:

1MHz: DDS Frequency Word [63:0] =  $(1,000,000 * 2^{32})/40,000,000 = 107,374,182$ .

1.234567 MHz: DDS Frequency Word [63:0] =  $(1,234,567 * 2^{32})/40,000,000 = 132,560,622$ .

1kHz: DDS Frequency Word [63:0] =  $(1,000 * 2^{32})/40,000,000 = 107,374$ .

25Hz: DDS Frequency Word [63:0] =  $(25 * 2^{32})/40,000,000 = 2,684$ .

1.256 kHz: DDS Frequency Word [63:0] =  $(1,256 * 2^{32})/40,000,000 = 13,486$ .



**Note** For the DAQArb 5411, the maximum sinewave frequency that you can generate is 16 MHz. The corresponding maximum valid DDS Frequency Word is 1,717,986,918.

You also can specify the duration you want the frequency to be generated for each stage. This duration is specified in number of 5 MHz interval (200 ns) counts. The duration in 5 MHz interval [31:0] is divided into two 16-bit unsigned words as shown in the previous array. For DAQArb 5411 devices, the range for the duration in 5 MHz interval [31:0] is through 16,777,215. Also, you can refer to the triggering modes in your *DAQArb 5411 User Manual* for more details on the various operation modes available.

## ARB Mode

**Table 2-43.** Array Structures for ARB Mode

Buffer ID	Array Element
Buffer ID[31:16]	← Array element 0 (range 0 to 65,535)
Buffer ID [15:0]	← Array element 1 (range 0 to 65,535)
Sample Count [31:16]	← Array element 2 (range 0 to 65,535)
Sample Count[15:0]	← Array element 3 (range 0 to 65,535)



**Table 2-43.** Array Structures for ARB Mode (Continued)

Iterations [31:16]	← Array element 4 (range 0 to 65,535)
Iterations [15:0]	← Array element 5 (range 0 to 65,535)
Marker Offset [31:16]	← Array element 6 (range 0 to 65,535)
Marker Offset [15:0]	← Array element 7 (range 0 to 65,535)

For each stage, Buffer ID [31:0] specifies the buffer number to be generated. This buffer ID should correspond to one of the buffers that was loaded into the memory earlier by calling `WFM_Load` with **mode** = 3. If this is not the case, NI-DAQ then returns an error.

Sample Count [31:0] specifies the number of samples from the start of the buffer given by Buffer ID. If this is set to 0, NI-DAQ uses the original size for that buffer specified during `WFM_Load` call with **mode** = 3. You can concatenate two consecutive buffers for generation by specifying the Buffer ID of the first buffer and the Sample Count to be equal to the first and following buffers. This feature allows flexibility to generate different waveforms from the buffers already loaded into the memory.

Iterations [31:0] is used to specify the number of times you want to loop over the waveform specified by the Buffer ID and Sample Count before jumping to the next stage. The valid range of Iterations [31:0] is 1 to 65,536 for DAQArb 5411.

Marker Offset is equivalent to a trigger output signal. You can place a marker in every stage; however, only one marker is allowed per stage. The marker is specified by giving a Marker Offset [31:0] value (in number of samples) from the start of the waveform specified by the stage. If the offset is out of range of the number of samples in that stage, the marker will not appear at the output.



**Note** *For information about staging-based waveform generation, refer to your NI-DAQ User Manual for PC Compatibles.*

## Using This Function

`WFM_Load` assigns your buffer to a selected analog output channel or channels. The values in this buffer are translated to voltages by the D/A circuitry and produced at the output channel when you have called `WFM_Group_Control` (**operation** = `START`) for a channel group. To change the shape of a waveform in progress, use `WFM_DB_Config` to enable double-buffered mode and `WFM_DB_Transfer` to transfer data into the waveform buffer. When loading buffers for double-buffered mode, all of the channel buffers should be the same size.

`WFM_Load` assigns your buffer to a selected analog output channel or channels. The values in this buffer are translated to voltages by the digital-to-analog (D/A) circuitry and produced at the output channel when you have called `WFM_Group_Control` (**operation** = `START`) for a channel group. If you have changed the analog output configuration from the defaults by

changing the jumpers on the device, you must call `AO_Configure` to set the software copies of the settings prior to calling `WFM_Group_Control` (**operation** = `START`). You can make repeated calls to `WFM_Load` to change the shape of a waveform in progress, except on E Series devices and SCXI DAQ modules used with remote SCXI; if you make repeated calls using these devices, this function will return a **transferInProgressError**. You also must use the parameter values for **numChans** and **chanVect** used in the call to `WFM_Load` prior to starting the waveform when making calls to `WFM_Load` while a waveform is in progress.

(AT-MIO-16F-5 only) If your buffer has been aligned by a previous call to `Align_DMA_Buffer`, `WFM_Load` automatically indexes into the buffer to the new starting point of the data. If you call `WFM_Load` with a new buffer while a waveform generation is in progress, NI-DAQ unaligns the previous buffer when the function returns.

The DSA devices use 32-bit data buffers. If you are using C or Delphi, you will need to type cast your `i32` array to `i16` when you call `WFM_Load`. If you are using Visual Basic, you should use the `nidaqr32.bas` file (instead of `nidaq32.bas`) to relax type checking on **buffer**. The DSA devices use the upper 18 bits of each buffer element. The lower 14 bits are ignored and you should set them to zero.

## WFM\_Op

---

### Format

**status = WFM\_Op (deviceNumber, numChans, chanVect, buffer, count, iterations, rate)**

### Purpose

Assigns a waveform buffer to one or more analog output channels, selects the rate and the number of times the data in the buffer is to be generated, and starts the generation. If the number of buffer generations is finite, WFM\_Op waits for completion before returning, unless you call Timeout\_Config.

### Parameters

#### Input

Name	Type	Description
<b>deviceNumber</b>	i16	assigned by configuration utility
<b>numChans</b>	i16	number of analog output channels
<b>chanVect</b>	[i16]	channel numbers
<b>buffer</b>	[i16]	values that are converted to voltages by DACs
<b>count</b>	u32	number of points in the buffer
<b>iterations</b>	u32	number of times the waveform generation steps through <b>buffer</b>
<b>rate</b>	f64	desired rate in pts/s

### Parameter Discussion

**numChans** indicates the number of analog output channels specified in the array **chanVect**.

**chanVect** is the array of channel numbers indicating which analog output channels are to receive output data from the buffer.

Channel number range:

- 0 or 1 for most devices.
- 0 through 5 for AT-AO-6.
- 0 through 9 for AT-AO-10.

**buffer** is an array of integer values that DACs convert to voltages. If your device has 12-bit DACs, these data will range from 0 to 4,095 in unipolar mode and from -2,048 to 2,047 in bipolar mode. If your device has 16-bit DACs, data will range from 0 to 65,535 in unipolar mode and from -32,768 to +32,767 in bipolar mode.

The DSA devices have 18-bit DACs and operate in bipolar mode only. Data will range from -131,072 to +131,071. For DSA devices each buffer element is 32 bits wide. Each data point goes in the upper 18 bits of its buffer element. You should set the lower bits to zero.

**count** is the number of points in your buffer. When NI-DAQ is using interleaved waveform generation, **count** should be a multiple of **numChans** and not less than  $2 * \text{numChans}$ .

Range: 1 through  $2^{32} - 1$  (except E Series devices).  
2 through  $2^{24}$  (E Series devices).

On PCI-61XX devices, the buffer must contain an even number of samples because of the 32-bit FIFO.

**iterations** is the number of times the waveform generation steps through **buffer**. A value of 0 means that waveform generation proceeds indefinitely.

Range: 0 through  $2^{32} - 1$ .

**rate** is the rate of waveform generation you want in points per second (pts/s). A value of 0.0 for **rate** means that external update pulses (applied to OUT2 for the MIO-16 and AT-MIO-16D, to EXTDACUPDATE for the AT-MIO-16F-5, AT-MIO-64F-5, and AT-MIO-16X, to EXTUPDATE for the AT-AO-6/10 and Lab and 1200 Series analog output devices, and to PFI Pin 5 on E Series devices) will determine the waveform generation rate.

Range: 0.0 for external update or approximately 0.0015 to 500,000 pts/s.

Your maximum **rate** depends on your device type and your computer system. If the number of points that represents represent one cycle of the waveform equals **count**, the frequency of the generated waveform is related to the rate by this the following formula:

$$\text{frequency} = (\text{rate}/\text{count}) \text{ cycles/s}$$

## Using This Function

WFM\_Op initiates a waveform generation operation. NI-DAQ writes the data in the buffer to the specified analog output channels at a rate as close to the rate you want as the specified rate hardware permits (see WFM\_Rate for a further explanation). With the exception of indefinite waveform generation, WFM\_Op waits until NI-DAQ completes the waveform generation is complete before returning (that is, it is synchronous).

(AT-MIO-16F-5 only) If you have aligned the buffer with a previous call to Align\_DMA\_Buffer, WFM\_Op automatically indexes into the buffer at the new starting point if necessary. If the call to WFM\_Op is synchronous, when the function returns, the buffer is unaligned. That is, the data samples will start at index 0 of the buffer. If the waveform generation is indefinite, the buffer remains aligned until you call WFM\_Group\_Control (operation = CLEAR).

If you have changed the analog output configuration from the defaults by changing the jumpers on the device, you must call `AO_Configure` to set the software copies of the settings prior to calling `WFM_Op`.

NI-DAQ ignores the group settings made by calling `WFM_Group_Setup` when you call `WFM_Op` and the settings are not changed after NI-DAQ executes you execute `WFM_Op`.



**Note** *For the MIO-16/16D, counter 2 must be available in order to use waveform generation. If an interval scan is in progress (see `SCAN_Start`) or a CTR function is using counter 2, waveform generation cannot proceed.*

For the AT-MIO-16F-5, AT-MIO-64F-5, and AT-MIO-16X, you can use counter 1, 2, and 5, as well as a dedicated external update signal, to generate either interrupt or DMA requests. If you use counter 1 or 2, a RTSI line must also be available. NI-DAQ uses the first available counter among counters 5, 2, and 1, in that order.

For Lab and 1200 Series analog output devices, if the rate is smaller than 15.26 and counter B0 is busy in a data acquisition or counting operation, waveform generation cannot proceed.

On Am9513-based MIO devices, to externally trigger a waveform generation operation, you can do so by first changing the gating mode of the counter NI-DAQ will use.

`WFM_OP` will use either the default gating mode (none) or the gating mode you specify through the `CTR_Config` function. You will need to connect your trigger signal to the gate pin on the I/O connector. Refer to the `CTR_Config` function description for details.

On E Series devices, you can externally trigger a waveform generation operation in a variety of ways. Refer to the `Select_Signal` function for more details.

The DSA devices use 32-bit data buffers. If you are using C or Delphi, you will need to typecast your `i32` array to `i16` when you call `WFM_Op`. If you are using Visual Basic, you should use the `nidaqr32.bas` file (instead of `nidaq32.bas`) to relax type checking on **buffer**. The DSA devices use the upper 18 bits of each buffer element. The lower 14 bits are ignored and you should set them to zero. You can move each data point into the upper 18 bits with a left shift operation by multiplying it by 16,384.

## WFM\_Rate

---

### Format

**status = WFM\_Rate (rate, units, timebase, updateInterval)**

### Purpose

Converts a waveform generation update rate into the timebase and update-interval values needed to produce the rate you want.

### Parameters

#### Input

Name	Type	Description
<b>rate</b>	f64	update rate you want
<b>units</b>	i16	units used

#### Output

Name	Type	Description
<b>timebase</b>	i16	resolution of clock signal
<b>updateInterval</b>	u32	number of timebase units

### Parameter Discussion

**rate** is the waveform generation update rate you want. **rate** is expressed in either pts/s or seconds per point (s/pt), depending on the value of the **units** parameter.

Range: Roughly 0.00153 pts/s through 500,000 pts/s or 655 s/pt through 0.000002 s/pt.

**units** indicates the units used to express **rate**.

0: pts/s.

1: s/pt.

**timebase** is a code representing the resolution of the onboard clock signal that the device uses to produce the update rate you want. You can input the value returned in **timebase** directly to **WFM\_ClockRate**. **timebase** has the following possible values:

-3: 20 MHz clock used as a timebase (50 ms) (E Series only).

-1: 5 MHz clock used as timebase (200 ns resolution) (AT-MIO-16F-5, AT-MIO-64F-5, and AT-MIO-16X only).

1: 1 MHz clock used as timebase (1  $\mu$ s resolution) (Am9513-based MIO devices only).

- 2: 100 kHz clock used as timebase (10  $\mu$ s resolution).
- 3: 10 kHz clock used as timebase (100  $\mu$ s resolution) (Am9513-based MIO devices only).
- 4: 1 kHz clock used as timebase (1 ms resolution) (Am9513-based MIO devices only).
- 5: 100 Hz clock used as timebase (10 ms resolution) (Am9513-based MIO devices only).

**updateInterval** is the number of timebase units that elapse between consecutive writes (updates) to the D/A converters. The combination of the timebase resolution value and the **updateInterval** produces the waveform generation rate you want. You can input the value returned in **updateInterval** directly to `WFM_ClockRate`.

Range: 2 through 65,535.



**Note** *If you are using an SCXI-1200 with remote SCXI, the maximum rate will depend on the baud rate setting and **updateRate**. Refer to the SCXI-1200 User Manual for more details.*



**Note** *C Programmers—**timebase** and **updateInterval** are pass-by-reference parameters.*

## Using This Function

`WFM_Rate` produces timebase and update-interval values to closely match the update rate you want. To calculate the actual rate produced by these values, first determine the clock resolution that corresponds to the value **timebase** returns. Then use the appropriate formula below, depending on the value specified for **units**:

**units** = 0 (pts/s).

actual rate =  $1/(\text{clock resolution} * \text{updateInterval})$ .

**units** = 1 (s/pt).

actual rate =  $\text{clock resolution} * \text{updateInterval}$ .

## WFM\_Scale

---

### Format

**status = WFM\_Scale (deviceNumber, chan, count, gain, voltArray, binArray)**

### Purpose

Translates an array of floating-point values that represent voltages into an array of binary values that produce those voltages when NI-DAQ writes the binary array to one of the board DACs. This function uses the current analog output configuration settings to perform the conversions.

### Parameters

#### Input

Name	Type	Description
<b>deviceNumber</b>	i16	assigned by configuration utility
<b>chan</b>	i16	analog output channel
<b>count</b>	u32	number of points in <b>buffer</b>
<b>gain</b>	f64	multiplier applied as the translation is performed
<b>voltArray</b>	[f64]	input double-precision values

#### Output

Name	Type	Description
<b>binArray</b>	[i16]	binary values converted from the voltages

### Parameter Discussion

**chan** indicates to which analog output channel the binary array is to be assigned.

Range: 0 or 1 for most devices.  
 0 through 5 for AT-AO-6.  
 0 through 9 for AT-AO-10.

**count** is the number of points in your buffer.

Range: 1 through  $2^{32} - 1$ .

**gain** is a multiplier applied to the array as NI-DAQ performs the translation. If the result of multiplying each element in the array by the value of gain produces a voltage that is out of



range, NI-DAQ sets the voltage to the maximum or minimum value and returns an error. NI-DAQ still completes the translation, however.

Range: Any real number that produces a voltage within the analog output range.

**voltArray** is the input array of double-precision values that represents the voltages NI-DAQ is to produce at one of the outputs.

Range: Any real number that produces a voltage within the analog output range.

**binArray** is the array of binary values converted from the voltages contained in **voltArray**. The values in **binArray** produce the original voltages when NI-DAQ writes them to a DAC on your device. Refer to Appendix B, *Analog Input Channel, Gain Settings, and Voltage Calculation*, for the calculation of binary value.

## Using This Function

WFM\_Scale calculates each binary value using the following formulas:

- Unipolar configuration:
  - 12-bit DACs: **binVal** = **voltage** \* (gain \* (4,096/outputRange)).
  - 16-bit DACs: **binVal** = **voltage** \* (gain \* (65,536/outputRange)).
- Bipolar configuration:
  - 12-bit DACs: **binVal** = **voltage** \* (gain \* (2,048/outputRange)).
  - 16-bit DACs: **binVal** = **voltage** \* (gain \* (32,768/outputRange)).
  - 18-bit DACs: **binVal** = **voltage** \* (gain \* (131,072/outputRange)).

The DSA devices use 32-bit data buffers. If you are using C or Delphi, you will need to typecast your i32 array to i16 when you call WFM\_Scale. If you are using Visual Basic, you should use the nidaqr32.bas file (instead of nidaq32.bas) to relax type checking on **binArray**. Each 18-bit **binVal** is shifted into the upper 18 bits of the array element.

## WFM\_Set\_Clock

---

### Format

WFM\_Set\_Clock (deviceNumber, group, whichClock, desiredRate, units, actualRate)

### Purpose

Sets the update rate for a group of channels (DSA devices only).

### Parameters

#### Input

Name	Type	Description
<b>deviceNumber</b>	i16	assigned by configuration utility
<b>group</b>	i16	group of analog output channels
<b>whichClock</b>	u32	<b>only update clock supported</b>
<b>desiredRate</b>	f64	desired update rate in units
<b>units</b>	u32	ticks/second or seconds/tick

#### Output

Name	Type	Description
<b>actualRate</b>	f64	actual update rate in units

### Parameter Discussion

**group** is the group of analog output channels (see WFM\_Group\_Setup).

Range: 1.

**whichClock** indicates the type of clock. Only one clock is currently supported so set this parameter to zero.

**desiredRate** is the rate at which you want data points to be sent to the DACs.

**units** determines how **desiredRate** and **actualRate** are interpreted:

0: points per second

1: seconds per point

**actualRate** is the rate at which data points are sent to the DACs. The capabilities of your device will determine how closely **actualRate** matches **desiredRate**. The DSA devices use the same base clock for both DAQ/SCAN and WFM operations so the rates available for WFM will be restricted if a DAQ/SCAN operation is already in progress.



**Note** *C Programmers*—**actualRate** is a pass-by-reference parameter.

## Using This Function

The frequency of a waveform is related to the update rate and the number of points in the buffer (indicated in an earlier call to WFM\_Load). Assuming that your buffer contains exactly one period of your waveform:

$$\text{frequency} = \text{update rate}/\text{points in the buffer}$$

You can make repeated calls to WFM\_Set\_Clock to change the update rate of a waveform in progress.

# Status Codes

This appendix lists the status codes returned by NI-DAQ, including the name and description.

Each NI-DAQ function returns a status code that indicates whether the function was performed successfully. When an NI-DAQ function returns a code that is a negative number, it means that the function did not execute. When a positive status code is returned, it means that the function did execute, but with a potentially serious side effect. A summary of the status codes is listed in Table A-1.


**Note**

*All status codes and descriptions are also listed in the NI-DAQ online help.*

**Table A-1.** Status Code Summary

Status Code	Status Name	Description
-10001	<b>syntaxError</b>	An error was detected in the input string; the arrangement or ordering of the characters in the string is not consistent with the expected ordering.
-10002	<b>semanticsError</b>	An error was detected in the input string; the syntax of the string is correct, but certain values specified in the string are inconsistent with other values specified in the string.
-10003	<b>invalidValueError</b>	The value of a numeric parameter is invalid.
-10004	<b>valueConflictError</b>	The value of a numeric parameter is inconsistent with another one, and therefore the combination is invalid.
-10005	<b>badDeviceError</b>	The device is invalid.
-10006	<b>badLineError</b>	The line is invalid.

**Table A-1.** Status Code Summary (Continued)

<b>Status Code</b>	<b>Status Name</b>	<b>Description</b>
-10007	<b>badChanError</b>	A channel is out of range for the board type or input configuration; or the combination of channels is not allowed; or the scan order must be reversed (0 last).
-10008	<b>badGroupError</b>	The group is invalid.
-10009	<b>badCounterError</b>	The counter is invalid.
-10010	<b>badCountError</b>	The count is too small or too large for the specified counter; or the given I/O transfer count is not appropriate for the current buffer or channel configuration.
-10011	<b>badIntervalError</b>	The analog input scan rate is too fast for the number of channels and the channel clock rate; or the given clock rate is not supported by the associated counter channel or I/O channel.
-10012	<b>badRangeError</b>	The analog input or analog output voltage range is invalid for the specified channel.
-10013	<b>badErrorCodeError</b>	The driver returned an unrecognized or unlisted error code.
-10014	<b>groupTooLargeError</b>	The group size is too large for the board.
-10015	<b>badTimeLimitError</b>	The time limit is invalid.
-10016	<b>badReadCountError</b>	The read count is invalid.
-10017	<b>badReadModeError</b>	The read mode is invalid.
-10018	<b>badReadOffsetError</b>	The offset is unreachable.
-10019	<b>badClkFrequencyError</b>	The frequency is invalid.
-10020	<b>badTimebaseError</b>	The timebase is invalid.
-10021	<b>badLimitsError</b>	The limits are beyond the range of the board.

**Table A-1.** Status Code Summary (Continued)

<b>Status Code</b>	<b>Status Name</b>	<b>Description</b>
-10022	<b>badWriteCountError</b>	Your data array contains an incomplete update, or you are trying to write past the end of the internal buffer, or your output operation is continuous and the length of your array is not a multiple of one half of the internal buffer size.
-10023	<b>badWriteModeError</b>	The write mode is out of range or is disallowed.
-10024	<b>badWriteOffsetError</b>	Adding the write offset to the write mark places the write mark outside the internal buffer.
-10025	<b>limitsOutOfRangeError</b>	The requested input limits exceed the board's capability or configuration. Alternative limits were selected.
-10026	<b>badBufferSpecificationError</b>	The requested number of buffers or the buffer size is not allowed; for example, Lab-PC buffer limit is 64K samples, or the board does not support multiple buffers.
-10027	<b>badDAQEventError</b>	For DAQEvents 0 and 1 general value A must be greater than 0 and less than the internal buffer size. If DMA is used for DAQEvent 1 general value A must divide the internal buffer size evenly, with no remainder. If the TIO-10 is used for DAQEvent 4 general value A must be 1 or 2.
-10028	<b>badFilterCutoffError</b>	The cutoff frequency specified is not valid for this device.
-10029	<b>obsoleteFunctionError</b>	The function you are calling is no longer supported in this version of the driver.
-10030	<b>badBaudRateError</b>	The specified baud rate for communicating with the serial port is not valid on this platform.

**Table A-1.** Status Code Summary (Continued)

<b>Status Code</b>	<b>Status Name</b>	<b>Description</b>
-10031	<b>badChassisIDError</b>	The specified SCXI chassis does not correspond to a configured SCXI chassis.
-10032	<b>badModuleSlotError</b>	The SCXI module slot that was specified is invalid or corresponds to an empty slot.
-10033	<b>invalidWinHandleError</b>	The window handle passed to the function is invalid.
-10034	<b>noSuchMessageError</b>	No configured message matches the one you tried to delete.
-10035	<b>irrelevantAttributeError</b>	The specified attribute is not relevant.
-10036	<b>badYearError</b>	The specified year is invalid.
-10037	<b>badMonthError</b>	The specified month is invalid.
-10038	<b>badDayError</b>	The specified day is invalid.
-10039	<b>stringTooLongError</b>	The specified input string is too long. For instance, DAQScope 5102 devices can only store a string up to 32 bytes in length on the calibration EEPROM. In that case, please shorten the string.
-10080	<b>badGainError</b>	The gain is invalid.
-10081	<b>badPretrigCountError</b>	The pretrigger sample count is invalid.
-10082	<b>badPosttrigCountError</b>	The posttrigger sample count is invalid.
-10083	<b>badTrigModeError</b>	The trigger mode is invalid.
-10084	<b>badTrigCountError</b>	The trigger count is invalid.
-10085	<b>badTrigRangeError</b>	The trigger range or trigger hysteresis window is invalid.
-10086	<b>badExtRefError</b>	The external reference is invalid.
-10087	<b>badTrigTypeError</b>	The trigger type is invalid.
-10088	<b>badTrigLevelError</b>	The trigger level is invalid.

Table A-1. Status Code Summary (Continued)

Status Code	Status Name	Description
-10089	<b>badTotalCountError</b>	The total count is inconsistent with the buffer size and pretrigger scan count or with the board type.
-10090	<b>badRPGError</b>	The individual range, polarity, and gain settings are valid but the combination is not allowed.
-10091	<b>badIterationsError</b>	You have attempted to use an invalid setting for the iterations parameter. The iterations value must be 0 or greater. Your device might be limited to only two values, 0 and 1.
-10092	<b>lowScanIntervalError</b>	Some devices require a time gap between the last sample in a scan and the start of the next scan. The scan interval you have specified does not provide a large enough gap for the board. See the <code>SCAN_Start</code> function in the language interface API for an explanation.
-10093	<b>fifoModeError</b>	FIFO mode waveform generation cannot be used because at least one condition is not satisfied.
-10094	<b>badCalDACconstError</b>	The calDAC constant passed to the function is invalid.
-10095	<b>badCalStimulusError</b>	The calibration stimulus passed to the function is invalid.
-10100	<b>badPortWidthError</b>	The requested digital port width is not a multiple of the hardware port width or is not attainable by the DAQ hardware.
-10120	<b>gpctrBadApplicationError</b>	Invalid <b>application</b> used.
-10121	<b>gpctrBadCtrNumberError</b>	Invalid <b>counterNumber</b> used.
-10122	<b>gpctrBadParamValueError</b>	Invalid <b>paramValue</b> used.
-10123	<b>gpctrBadParamIDError</b>	Invalid <b>paramID</b> used.



**Table A-1.** Status Code Summary (Continued)

<b>Status Code</b>	<b>Status Name</b>	<b>Description</b>
-10124	<b>gpctrBadEntityIDError</b>	Invalid <b>entityID</b> used.
-10125	<b>gpctrBadActionError</b>	Invalid <b>action</b> used.
-10200	<b>EEPROMreadError</b>	Unable to read data from EEPROM.
-10201	<b>EEPROMwriteError</b>	Unable to write data to EEPROM.
-10202	<b>EEPROMWriteProtection Error</b>	You cannot write into this location or area of your EEPROM because it is write-protected. You may be trying to store calibration constants into a write-protected area; if this the case, you should select user area of the EEPROM instead.
-10240	<b>noDriverError</b>	The driver interface could not locate or open the driver.
-10241	<b>oldDriverError</b>	One of the driver files or the configuration utility is out of date.
-10242	<b>functionNotFound</b>	The specified function is not located in the driver.
-10243	<b>configFileError</b>	The driver could not locate or open the configuration file, or the format of the configuration file is not compatible with the currently installed driver.
-10244	<b>deviceInitError</b>	The driver encountered a hardware-initialization error while attempting to configure the specified device.
-10245	<b>osInitError</b>	The driver encountered an operating-system error while attempting to perform an operation, or the operating system does not support an operation performed by the driver.
-10246	<b>communicationsError</b>	The driver is unable to communicate with the specified external device.

**Table A-1.** Status Code Summary (Continued)

<b>Status Code</b>	<b>Status Name</b>	<b>Description</b>
-10247	<b>cmosConfigError</b>	The CMOS configuration-memory for the device is empty or invalid, or the configuration specified does not agree with the current configuration of the device, or the EISA system configuration is invalid.
-10248	<b>dupAddressError</b>	The base addresses for two or more devices are the same; consequently, the driver is unable to access the specified device.
-10249	<b>intConfigError</b>	The interrupt configuration is incorrect given the capabilities of the computer or device.
-10250	<b>dupIntError</b>	The interrupt levels for two or more devices are the same.
-10251	<b>dmaConfigError</b>	The DMA configuration is incorrect given the capabilities of the computer/DMA controller or device.
-10252	<b>dupDMAError</b>	The DMA channels for two or more devices are the same.
-10253	<b>jumperlessBoardError</b>	Unable to find one or more jumperless boards you have configured using the NI-DAQ Configuration Utility.
-10254	<b>DAQCardConfError</b>	Cannot configure the DAQCard because 1) the correct version of the card and socket services software is not installed; 2) the card in the PCMCIA socket is not a DAQCard; 3) the base address and/or interrupt level requested are not available according to the card and socket services resource manager. Try different settings or use AutoAssign in the NI-DAQ configuration utility.
-10255	<b>remoteChassisDriverInitError</b>	There was an error in initializing the driver for remote SCXI.

**Table A-1.** Status Code Summary (Continued)

<b>Status Code</b>	<b>Status Name</b>	<b>Description</b>
-10256	<b>comPortOpenError</b>	There was an error in opening the specified COM port.
-10257	<b>baseAddressError</b>	Bad base address specified in the configuration utility.
-10258	<b>dmaChannel1Error</b>	Bad DMA channel 1 specified in the configuration utility or by the operating system.
-10259	<b>dmaChannel2Error</b>	Bad DMA channel 2 specified in the configuration utility or by the operating system.
-10260	<b>dmaChannel3Error</b>	Bad DMA channel 3 specified in the configuration utility or by the operating system.
-10261	<b>userModeToKernelModeCallError</b>	The user mode code failed when calling the kernel mode.
-10340	<b>noConnectError</b>	No RTSI signal/line is connected, or the specified signal and the specified line are not connected.
-10341	<b>badConnectError</b>	The RTSI signal/line cannot be connected as specified.
-10342	<b>multConnectError</b>	The specified RTSI signal is already being driven by a RTSI line, or the specified RTSI line is already being driven by a RTSI signal.
-10343	<b>SCXIConfigError</b>	The specified SCXI configuration parameters are invalid, or the function cannot be executed with the current SCXI configuration.
-10344	<b>chassisSynchedError</b>	The remote SCXI unit is not synchronized with the host. Reset the chassis again to resynchronize it with the host.

**Table A-1.** Status Code Summary (Continued)

<b>Status Code</b>	<b>Status Name</b>	<b>Description</b>
-10345	<b>chassisMemAllocError</b>	The required amount of memory cannot be allocated on the remote SCXI unit for the specified operation.
-10346	<b>badPacketError</b>	The packet received by the remote SCXI unit is invalid. Check your serial port cable connections.
-10347	<b>chassisCommunicationError</b>	There was an error in sending a packet to the remote chassis. Check your serial port cable connections.
-10348	<b>waitingForReprogError</b>	The remote SCXI unit is in reprogramming mode and is waiting for reprogramming commands from the host (NI-DAQ Configuration Utility).
-10349	<b>SCXIModuleTypeConflictError</b>	The module ID read from the SCXI module conflicts with the configured module type.
-10360	<b>DSPInitError</b>	The DSP driver was unable to load the kernel for its operating system.
-10370	<b>badScanListError</b>	The scan list is invalid; for example, you are mixing AMUX-64T channels and onboard channels, scanning SCXI channels out of order, or have specified a different starting channel for the same SCXI module. Also, the driver attempts to achieve complicated gain distributions over SCXI channels on the same module by manipulating the scan list and returns this error if it fails.
-10400	<b>userOwnedRsrcError</b>	The specified resource is owned by the user and cannot be accessed or modified by the driver.
-10401	<b>unknownDeviceError</b>	The specified device is not a National Instruments product, or the driver does not support the device (for example, the driver was released before the device was supported).

**Table A-1.** Status Code Summary (Continued)

<b>Status Code</b>	<b>Status Name</b>	<b>Description</b>
-10402	<b>deviceNotFoundError</b>	No device is located in the specified slot or at the specified address.
-10403	<b>deviceSupportError</b>	The specified device does not support the requested action (the driver recognizes the device, but the action is inappropriate for the device).
-10404	<b>noLineAvailError</b>	No line is available.
-10405	<b>noChanAvailError</b>	No channel is available.
-10406	<b>noGroupAvailError</b>	No group is available.
-10407	<b>lineBusyError</b>	The specified line is in use.
-10408	<b>chanBusyError</b>	The specified channel is in use.
-10409	<b>groupBusyError</b>	The specified group is in use.
-10410	<b>relatedLCGBusyError</b>	A related line, channel, or group is in use; if the driver configures the specified line, channel, or group, the configuration, data, or handshaking lines for the related line, channel, or group will be disturbed.
-10411	<b>counterBusyError</b>	The specified counter is in use.
-10412	<b>noGroupAssignError</b>	No group is assigned, or the specified line or channel cannot be assigned to a group.
-10413	<b>groupAssignError</b>	A group is already assigned, or the specified line or channel is already assigned to a group.
-10414	<b>reservedPinError</b>	The selected signal requires a pin that is reserved and configured only by NI-DAQ. You cannot configure this pin yourself.
-10415	<b>externalMuxSupportError</b>	This function does not support this device when an external multiplexer (such as an AMUX-64T or SCXI) is connected to it.

**Table A-1.** Status Code Summary (Continued)

<b>Status Code</b>	<b>Status Name</b>	<b>Description</b>
-10440	<b>sysOwnedRsrcError</b>	The specified resource is owned by the driver and cannot be accessed or modified by the user.
-10441	<b>memConfigError</b>	No memory is configured to support the current data-transfer mode, or the configured memory does not support the current data-transfer mode. (If block transfers are in use, the memory must be capable of performing block transfers.)
-10442	<b>memDisabledError</b>	The specified memory is disabled or is unavailable given the current addressing mode.
-10443	<b>memAlignmentError</b>	The transfer buffer is not aligned properly for the current data-transfer mode. For example., the buffer is at an odd address, is not aligned to a 32-bit boundary, is not aligned to a 512-bit boundary, and so on. Alternatively, the driver is unable to align the buffer because the buffer is too small.
-10444	<b>memFullError</b>	No more system memory is available on the heap, or no more memory is available on the device, or insufficient disk space is available.
-10445	<b>memLockError</b>	The transfer buffer cannot be locked into physical memory. On PC AT machines, portions of the DMA data acquisition buffer may be in an invalid DMA region, for example, above 16 MB.
-10446	<b>memPageError</b>	The transfer buffer contains a page break; system resources might require reprogramming when the page break is encountered.
-10447	<b>memPageLockError</b>	The operating environment is unable to grant a page lock.

**Table A-1.** Status Code Summary (Continued)

<b>Status Code</b>	<b>Status Name</b>	<b>Description</b>
-10448	<b>stackMemError</b>	The driver is unable to continue parsing a string input due to stack limitations.
-10449	<b>cacheMemError</b>	A cache-related error occurred, or caching is not supported in the current mode.
-10450	<b>physicalMemError</b>	A hardware error occurred in physical memory, or no memory is located at the specified address.
-10451	<b>virtualMemError</b>	The driver is unable to make the transfer buffer contiguous in virtual memory and therefore cannot lock it into physical memory; thus, the buffer cannot be used for DMA transfers.
-10452	<b>noIntAvailError</b>	No interrupt level is available for use.
-10453	<b>intInUseError</b>	The specified interrupt level is already in use by another device.
-10454	<b>noDMACError</b>	No DMA controller is available in the system.
-10455	<b>noDMAAvailError</b>	No DMA channel is available for use.
-10456	<b>DMAInUseError</b>	The specified DMA channel is already in use by another device.
-10457	<b>badDMAGroupError</b>	DMA cannot be configured for the specified group because it is too small, too large, or misaligned. Consult the device user manual to determine group ramifications with respect to DMA.
-10458	<b>diskFullError</b>	A disk overflow occurred while attempting to write to a file.
-10459	<b>DLLInterfaceError</b>	The DLL could not be called because of an interface error.

**Table A-1.** Status Code Summary (Continued)

<b>Status Code</b>	<b>Status Name</b>	<b>Description</b>
-10460	<b>interfaceInteractionError</b>	You have mixed VIs from the DAQ library and the _DAQ compatibility library (LabVIEW 2.2 style VIs). You may switch between the two libraries only by running the DAQ VI Device Reset before calling _DAQ compatibility VIs or by running the compatibility VI Board Reset before calling DAQ VIs.
-10461	<b>resourceReservedError</b>	The specified resource is unavailable because it has already been reserved by another entity.
-10462	<b>resourceNotReservedError</b>	The specified resource has not been reserved, so the action is not allowed.
-10480	<b>muxMemFullError</b>	The scan list is too large to fit into the mux-gain memory of the board.
-10481	<b>bufferNotInterleavedError</b>	You must provide a single buffer of interleaved data, and the channels must be in ascending order. You cannot use DMA to transfer data from two buffers; however, you may be able to use interrupts.
-10540	<b>SCXIModuleNotSupportedError</b>	At least one of the SCXI modules specified is not supported for the operation.
-10541	<b>TRIG1ResourceConflict</b>	CTRB1 will drive COUTB1. However, CTRB1 also will drive TRIG1. This conflict might cause unpredictable results when the chassis is scanned.
-10560	<b>invalidDSPHandleError</b>	The DSP handle input is not valid.
-10561	<b>DSPDataPathBusyError</b>	Either DAQ or WFM can use a PC memory buffer, but not both at the same time.



**Table A-1.** Status Code Summary (Continued)

<b>Status Code</b>	<b>Status Name</b>	<b>Description</b>
-10600	<b>noSetupError</b>	No setup operation has been performed for the specified resources. Or, some resources require a specific ordering of calls for proper setup.
-10601	<b>multSetupError</b>	The specified resources have already been configured by a setup operation.
-10602	<b>noWriteError</b>	No output data has been written into the transfer buffer.
-10603	<b>groupWriteError</b>	The output data associated with a group must be for a single channel or must be for consecutive channels.
-10604	<b>activeWriteError</b>	Once data generation has started, only the transfer buffers originally written to may be updated. If DMA is active and a single transfer buffer contains interleaved channel-data, new data must be provided for all output channels currently using the DMA channel.
-10605	<b>endWriteError</b>	No data was written to the transfer buffer because the final data block has already been loaded.
-10606	<b>notArmedError</b>	The specified resource is not armed.
-10607	<b>armedError</b>	The specified resource is already armed.
-10608	<b>noTransferInProgError</b>	No transfer is in progress for the specified resource.
-10609	<b>transferInProgError</b>	A transfer is already in progress for the specified resource, or the operation is not allowed because the device is in the process of performing transfers, possibly with different resources.
-10610	<b>transferPauseError</b>	A single output channel in a group may not be paused if the output data for the group is interleaved.

**Table A-1.** Status Code Summary (Continued)

<b>Status Code</b>	<b>Status Name</b>	<b>Description</b>
-10611	<b>badDirOnSomeLinesError</b>	Some of the lines in the specified channel are not configured for the transfer direction specified. For a write transfer, some lines are configured for input. For a read transfer, some lines are configured for output.
-10612	<b>badLineDirError</b>	The specified line does not support the specified transfer direction.
-10613	<b>badChanDirError</b>	The specified channel does not support the specified transfer direction.
-10614	<b>badGroupDirError</b>	The specified group does not support the specified transfer direction.
-10615	<b>masterClkError</b>	The clock configuration for the clock master is invalid.
-10616	<b>slaveClkError</b>	The clock configuration for the clock slave is invalid.
-10617	<b>noClkSrcError</b>	No source signal has been assigned to the clock resource.
-10618	<b>badClkSrcError</b>	The specified source signal cannot be assigned to the clock resource.
-10619	<b>multClkSrcError</b>	A source signal has already been assigned to the clock resource.
-10620	<b>noTrigError</b>	No trigger signal has been assigned to the trigger resource.
-10621	<b>badTrigError</b>	The specified trigger signal cannot be assigned to the trigger resource.
-10622	<b>preTrigError</b>	The pretrigger mode is not supported or is not available in the current configuration, or no pretrigger source has been assigned.
-10623	<b>postTrigError</b>	No posttrigger source has been assigned.

**Table A-1.** Status Code Summary (Continued)

<b>Status Code</b>	<b>Status Name</b>	<b>Description</b>
-10624	<b>delayTrigError</b>	The delayed trigger mode is not supported or is not available in the current configuration, or no delay source has been assigned.
-10625	<b>masterTrigError</b>	The trigger configuration for the trigger master is invalid.
-10626	<b>slaveTrigError</b>	The trigger configuration for the trigger slave is invalid.
-10627	<b>noTrigDrvError</b>	No signal has been assigned to the trigger resource.
-10628	<b>multTrigDrvError</b>	A signal has already been assigned to the trigger resource.
-10629	<b>invalidOpModeError</b>	The specified operating mode is invalid, or the resources have not been configured for the specified operating mode.
-10630	<b>invalidReadError</b>	The parameters specified to read data were invalid in the context of the acquisition. For example, an attempt was made to read 0 bytes from the transfer buffer, or an attempt was made to read past the end of the transfer buffer.
-10631	<b>noInfiniteModeError</b>	Continuous input or output transfers are not allowed in the current operating mode.
-10632	<b>someInputsIgnoredError</b>	Certain inputs were ignored because they are not relevant in the current operating mode.
-10633	<b>invalidRegenModeError</b>	The specified analog output regeneration mode is not allowed for this board.

**Table A-1.** Status Code Summary (Continued)

<b>Status Code</b>	<b>Status Name</b>	<b>Description</b>
-10634	<b>noContTransferInProgressError</b>	No continuous (double-buffered) transfer is in progress for the specified resource.
-10635	<b>invalidSCXIOpModeError</b>	Either the SCXI operating mode specified in a configuration call is invalid, or a module is in the wrong operating mode to execute the function call.
-10636	<b>noContWithSynchError</b>	You cannot start a continuous (double-buffered) operation with a synchronous function call.
-10637	<b>bufferAlreadyConfigError</b>	Attempted to configure a buffer after the buffer had already been configured. You can configure a buffer only once.
-10680	<b>badChanGainError</b>	All channels of this board must have the same gain.
-10681	<b>badChanRangeError</b>	All channels of this board must have the same range.
-10682	<b>badChanPolarityError</b>	All channels of this board must be the same polarity.
-10683	<b>badChanCouplingError</b>	All channels of this board must have the same coupling.
-10684	<b>badChanInputModeError</b>	All channels of this board must have the same input mode.
-10685	<b>clkExceedsBrdsMaxConvRateError</b>	The clock rate exceeds the board's recommended maximum rate.
-10686	<b>scanListInvalidError</b>	A configuration change has invalidated the scan list.
-10687	<b>bufferInvalidError</b>	A configuration change has invalidated the acquisition buffer, or an acquisition buffer has not been configured.

**Table A-1.** Status Code Summary (Continued)

<b>Status Code</b>	<b>Status Name</b>	<b>Description</b>
-10688	<b>noTrigEnabledError</b>	The number of total scans and pretrigger scans implies that a triggered start is intended, but triggering is not enabled.
-10689	<b>digitalTrigBError</b>	Digital trigger B is illegal for the number of total scans and pretrigger scans specified.
-10690	<b>digitalTrigAandBError</b>	This board does not allow digital triggers A and B to be enabled at the same time.
-10691	<b>extConvRestrictionError</b>	This board does not allow an external sample clock with an external scan clock, start trigger, or stop trigger.
-10692	<b>chanClockDisabledError</b>	The acquisition cannot be started because the channel clock is disabled.
-10693	<b>extScanClockError</b>	You cannot use an external scan clock when doing a single scan of a single channel.
-10694	<b>unsafeSamplingFreqError</b>	The sample frequency exceeds the safe maximum rate for the hardware, gains, and filters used.
-10695	<b>DMAnotAllowedError</b>	You have set up an operation that requires the use of interrupts. DMA is not allowed. For example, some DAQ events, such as messaging and LabVIEW occurrences, require interrupts.
-10696	<b>multiRateModeError</b>	Multi-rate scanning cannot be used with the AMUX-64, SCXI, or pretriggered acquisitions.
-10697	<b>rateNotSupportedError</b>	Unable to convert your timebase/interval pair to match the actual hardware capabilities of this board.

**Table A-1.** Status Code Summary (Continued)

<b>Status Code</b>	<b>Status Name</b>	<b>Description</b>
-10698	<b>timebaseConflictError</b>	You cannot use this combination of scan and sample clock timebases for this board.
-10699	<b>polarityConflictError</b>	You cannot use this combination of scan and sample clock source polarities for this operation and board.
-10700	<b>signalConflictError</b>	You cannot use this combination of scan and convert clock signal sources for this operation and board.
-10701	<b>noLaterUpdateError</b>	The call had no effect because the specified channel had not been set for later internal update.
-10702	<b>prePostTriggerError</b>	Pretriggering and posttriggering cannot be used simultaneously on the Lab and 1200 series devices.
-10710	<b>noHandshakeModeError</b>	The specified port has not been configured for handshaking.
-10720	<b>noEventCtrError</b>	The specified counter is not configured for event-counting operation.
-10740	<b>SCXITrackHoldError</b>	A signal has already been assigned to the SCXI track-and-hold trigger line, or a control call was inappropriate because the specified module is not configured for one-channel operation.
-10780	<b>sc2040InputModeError</b>	When you have an SC-2040 attached to your device, all analog input channels must be configured for differential input mode.
-10781	<b>outputTypeMustBeVoltageError</b>	The polarity of the output channel cannot be bipolar when outputting currents.
-10782	<b>sc2040HoldModeError</b>	The specified operation cannot be performed with the SC-2040 configured in hold mode.

**Table A-1.** Status Code Summary (Continued)

<b>Status Code</b>	<b>Status Name</b>	<b>Description</b>
-10783	<b>calConstPolarityConflictError</b>	Calibration constants in the load area have a different polarity from the current configuration. Therefore, if you receive this error, you should load constants from factory. If you receive status +10783, be aware that NI-DAQ has automatically loaded constants from the factory.
-10800	<b>timeOutError</b>	The operation could not complete within the time limit.
-10801	<b>calibrationError</b>	An error occurred during the calibration process.
-10802	<b>dataNotAvailError</b>	The requested amount of data has not yet been acquired.
-10803	<b>transferStoppedError</b>	The transfer has been stopped to prevent regeneration of output data.
-10804	<b>earlyStopError</b>	The transfer stopped prior to reaching the end of the transfer buffer.
-10805	<b>overRunError</b>	The clock rate is faster than the hardware can support. An attempt to input or output a new data point was made before the hardware could finish processing the previous data point. This condition also can occur when glitches are present on an external clock signal.
-10806	<b>noTrigFoundError</b>	No trigger value was found in the input transfer buffer.
-10807	<b>earlyTrigError</b>	The trigger occurred before sufficient pretrigger data was acquired.
-10808	<b>LPTCommunicationError</b>	An error occurred in the parallel port communication with the DAQ device.

**Table A-1.** Status Code Summary (Continued)

<b>Status Code</b>	<b>Status Name</b>	<b>Description</b>
-10809	<b>gateSignalError</b>	Attempted to start a pulse width measurement with the pulse in the phase to be measured (for example, high phase for high-level gating).
-10840	<b>internalDriverError</b>	An unexpected error occurred inside the driver when performing this given operation.
-10841	<b>firmwareError</b>	The firmware does not support the specified operation, or the firmware operation could not complete due to a data-integrity problem.
-10842	<b>hardwareError</b>	The hardware is not responding to the specified operation, or the response from the hardware is not consistent with the functionality of the hardware.
-10843	<b>underFlowError</b>	Because of system limitations, the driver could not write data to the device fast enough to keep up with the device throughput.
-10844	<b>underWriteError</b>	New data was not written to the output transfer buffer before the driver attempted to transfer the data to the device.
-10845	<b>overFlowError</b>	Because of system limitations, the driver could not read data from the device fast enough to keep up with the device throughput; the onboard device memory reported an overflow error.
-10846	<b>overWriteError</b>	The driver wrote new data into the input transfer buffer before the previously acquired data was read.
-10847	<b>dmaChainingError</b>	New buffer information was not available at the time of the DMA chaining interrupt; DMA transfers will terminate at the end of the currently active transfer buffer.



**Table A-1.** Status Code Summary (Continued)

<b>Status Code</b>	<b>Status Name</b>	<b>Description</b>
-10848	<b>noDMACountAvailError</b>	The driver could not obtain a valid reading from the transfer-count register in the DMA controller.
-10849	<b>OpenFileError</b>	The configuration file could not be opened.
-10850	<b>closeFileError</b>	Unable to close a file.
-10851	<b>fileSeekError</b>	Unable to seek within a file.
-10852	<b>readFileError</b>	Unable to read from a file.
-10853	<b>writeFileError</b>	Unable to write to a file.
-10854	<b>miscFileError</b>	An error occurred accessing a file.
-10855	<b>osUnsupportedError</b>	NI-DAQ does not support the current operation on this particular version of the operating system.
-10856	<b>osError</b>	An unexpected error occurred from the operating system while performing the given operation.
-10857	<b>internalKernelError</b>	An unexpected error occurred inside the kernel while performing this operation.
-10880	<b>updateRateChangeError</b>	A change to the update rate is not possible at this time because 1) when waveform generation is in progress, you cannot change the interval timebase or 2) when you make several changes in a row, you must give each change enough time to take effect before requesting further changes.
-10881	<b>partialTransferCompleteError</b>	You cannot do another transfer after a successful partial transfer.
-10882	<b>daqPollDataLossError</b>	The data collected on the remote SCXI unit was overwritten before it could be transferred to the buffer in the host. Try using a slower data acquisition rate if possible.

**Table A-1.** Status Code Summary (Continued)

<b>Status Code</b>	<b>Status Name</b>	<b>Description</b>
-10883	<b>wfmPollDataLossError</b>	New data could not be transferred to the waveform buffer of the remote SCXI unit to keep up with the waveform update rate. Try using a slower waveform update rate if possible.
-10884	<b>pretriggerReorderError</b>	Could not rearrange data after a pretrigger acquisition completed.
-10920	<b>gpctrDataLossError</b>	One or more data points may have been lost during buffered GPCTR operations due to speed limitations of your system.
-10940	<b>chassisResponseTimeoutError</b>	No response was received from the remote SCXI unit within the specified time limit.
-10941	<b>reprogrammingFailedError</b>	Reprogramming the remote SCXI unit was unsuccessful. Please try again.
-10942	<b>invalidResetSignatureError</b>	An invalid reset signature was sent from the host to the remote SCXI unit.
-10943	<b>chassisLockupError</b>	The interrupt service routine on the remote SCXI unit is taking longer than necessary. You do not need to reset your remote SCXI unit; however, please clear and restart your data acquisition.

# Analog Input Channel, Gain Settings, and Voltage Calculation

## Appendix B

This appendix lists the valid channel and gain settings for DAQ boards, describes how NI-DAQ calculates voltage, and describes the measurement of offset and gain adjustment.

## DAQ Device Analog Input Channel Settings

Table B-1 lists the valid analog input (ADC) channel settings. If you have one or more AMUX-64T boards and an MIO board, see Chapter 10, *AMUX-64T External Multiplexer Device*, in the *DAQ Hardware Overview Guide* for more information.

**Table B-1.** Valid Analog Input Channel Settings

Device	Settings	
	Single-ended Configuration	Differential Configuration
MIO and AI devices (except as noted below)	0–15	0–7
AT-MIO-64F-5	0–63	0–7 and 16–39
AT-MIO-64E-3	0–63	0–7, 16–23, 32–39, 48–55
Lab and 1200 Series devices	0–7	0, 2, 4, 6
LPM devices	0–15	N/A
DAQCard-700	0–15	0–7
516 devices, DAQCard-500	0–7	0–3 (516 devices only)
VXI-MIO-64E-1 and VXI-MIO-64XE-10	0–63 and ND_VXI_SC	0–7, 16–23, 32–39, 48–55

**Table B-1.** Valid Analog Input Channel Settings (Continued)

Device	Settings	
	Single-ended Configuration	Differential Configuration
DAQPad-MIO-16XE-50	0–15 and ND_CJ_TEMP <sup>†</sup>	0–7 and ND_CJ_TEMP <sup>†</sup>
PCI-6110E PCI-6111E	N/A N/A	0–3 0–1
PXI MIO and AI devices	ND_PXI_SC	N/A
PCI-4451 PCI-4551	N/A	0–1
PCI-4452 PCI-4552	N/A	0–3
<sup>†</sup> ND_CJ_TEMP, ND_PXI_SC, and ND_VXI_SC are constants that are defined in the following header files: <ul style="list-style-type: none"> <li>• C programmers—NIDAQCNS.H (DATAACQ.H for LabWindows/CVI)</li> <li>• BASIC programmers—NIDAQCNS.INC (Visual Basic for Windows programmers should refer to the <i>Programming Language Considerations</i> section in Chapter 1, <i>Using the NI-DAQ Functions</i>, for more information.)</li> <li>• Pascal programmers—NIDAQCNS.PAS</li> </ul>		

## Valid Internal Analog Input Channels

Table B-2 lists the valid internal channels for analog input devices.

**Table B-2.** Valid Internal Analog Input Channels

Device	Internal Channels
AT-MIO-16XE-10 AT-MIO-16XE-50 NEC-MIO-16XE-50 DAQPad-MIO-16XE-50	ND_INT_AI_GND ND_INT_REF_5V ND_INT_AO_GND_VS_AI_GND ND_INT_AO_CH_0 ND_INT_CH_0_VS_REF_5V ND_INT_AO_CH_1 ND_INT_AO_CH_1_VS_REF_5V
DAQCard-AI-16E-4 NEC-AI-16E-4	ND_INT_AI_GND ND_INT_REF_5V ND_INT_CM_REF_5V ND_INT_AO_GND_VS_AI_GND

**Table B-2.** Valid Internal Analog Input Channels (Continued)

Device	Internal Channels
PCI-MIO-16XE-10 PCI-MIO-16XE-50 PXI-6030E PXI-6011E PCI-6031E CPCI-6030E CPCI-6011E VXI-MIO-64XE-10	ND_INT_AI_GND ND_INT_REF_5V ND_INT_AO_GND_VS_AI_GND ND_INT_AO_CH_0 ND_INT_AO_CH_0_VS_REF_5V ND_INT_AO_CH_1 ND_INT_AO_CH_1_VS_REF_5V ND_INT_AO_CH_1_VS_AO_CH_0 ND_INT_DEV_TEMP
PCI-MIO-16E-1 PCI-MIO-16E-4 PXI-6070E PXI-6040E CPCI-6070E CPCI-6040E VXI-MIO-64E-1	ND_INT_AI_GND ND_INT_REF_5V ND_INT_CM_REF_5V ND_INT_AO_GND_VS_AI_GND ND_INT_AO_CH_0 ND_INT_AO_CH_0_VS_REF_5V ND_INT_AO_CH_1 ND_INT_AO_CH_1_VS_AO_CH_0 ND_INT_DEV_TEMP
AT-AI-16XE-10 PCI-6032E PCI-6033E DAQCard-AI-16XE-50 NEC-AI-16XE-50	ND_INT_AI_GND ND_INT_REF_5V ND_INT_AO_GND_VS_AI_GND
AT-MIO-16E-1 AT-MIO-16E-2 AT-MIO-64E-3 AT-MIO-16DE-10 AT-MIO-16E-10 DAQPad-6020E NEC-MIO-16E-4	ND_INT_AI_GND ND_INT_REF_5V ND_INT_CM_REF_5V ND_INT_AO_GND_VS_AI_GND ND_INT_AO_CH_0 ND_INT_AO_CH_0_VS_REF_5V ND_INT_AO_CH_1 ND_INT_AO_CH_1_VS_REF_5V

**Table B-3.** Internal Channel Purposes for Analog Input Devices

Internal Channel	Purpose
ND_INT_AI_GND	Analog Input Channels Offset
ND_INT_AO_GND_VS_AI_GND	Ground Differential
ND_INT_AO_CH_0	Analog Output Channel 0 Offset/Linearity
ND_INT_AO_CH_1	Analog Output Channel 1 Offset/Linearity
ND_INT_CM_REF_5V	Analog Input Channels Offset
ND_INT_REF_5V	Analog Input Channels Gain
ND_INT_AO_CH_0_VS_REF_5V	Analog Output Channel 0 Gain
ND_INT_AO_CH_1_VS_REF_5V	Analog Output Channel 1 Gain
ND_INT_AO_CH_1_VS_AO_CH_0	Analog Output Channel 1 vs Analog Output Channel 0
ND_INT_DEV_TEMP	Device Temperature

Internal Channel constants are defined in the following header files:

- C programmers—NIDAQCNS.H (DATAACQ.H for LabWindows/CVI)
- BASIC programmers—NIDAQCNS.INC (Visual Basic for Windows programmers should refer to the [Programming Language Considerations](#) section in Chapter 1, *Using the NI-DAQ Functions*, for more information.)
- Pascal programmers—NIDAQCNS.PAS

**Note**

**When the channel is ND\_INT\_DEV\_TEMP, you can compute the temperature from the retrieved voltage by applying the following formulas:**

**For VXI MIOs:**

$$T(^{\circ}\text{C}) = ((\text{Voltage} \times 100) - 32) \times 5/9$$

**For all other supported E series devices:**

$$T(^{\circ}\text{C}) = (\text{Voltage} \times 100) - 50$$

## DAQ Device Gain Settings

Table B-4 lists the valid gain settings for DAQ devices.

**Table B-4.** Valid Gain Settings

Device	Valid Gain Settings
AT-MIO-16L, AT-MIO-16DL	1, 10, 100, 500
AT-MIO-16H, AT-MIO-16DH	1, 2, 4, 8
AT-MIO-16F-5, AT-MIO-64F-5, and most E Series devices	-1 (for a gain of 0.5), 1, 2, 5, 10, 20, 50, 100
All 16XE-50 devices	1, 2, 10, 100
AT-MIO-16X, PCI-MIO-16XE-10, PCI-6031E (MIO-64XE-10), PCI-6032E (AI-16XE-10), PCI-6033E (AI-64XE-10), PXI-6030E, and Lab and 1200 Series devices	1, 2, 5, 10, 20, 50, 100
DAQCard-500/700, 516 and LPM devices	gain is ignored because gain is always 1
PCI-6110E, PCI-6111E	-2 (for gain of 0.2) 1, 2, 5, 10, 20, 50 -1 (for gain of 0.5)
PCI-4451, PCI-4452, PCI-4551, PCI-4552	-20, -10, 0, 10, 20, 30, 40, 50, 60 (these gains are in units dB)

## Voltage Calculation

AI\_VScale and DAQ\_VScale calculate voltage from **reading** as follows:

$$\text{voltage} = \left( \frac{\text{reading} - \text{offset}}{\text{maxReading}} \right) \times \left( \frac{\text{maxVolt}}{\text{gain} \times \text{gainAdjust}} \right)$$

where:

- **maxReading** is the maximum binary reading for the given board, channel, range, and polarity.
- **maxVolt** is the maximum voltage the board can measure at a gain of 1 in the given range and polarity.

Table B-5 lists the values of **maxReading** and **maxVolt** for different boards.

**Table B-5.** The Values of maxReading and maxVolt

Device	Unipolar Mode		Bipolar Mode	
	maxReading	maxVolt	maxReading	maxVolt
MIO-16, AT-MIO-16D	4,096	*	2,048	*
AT-MIO-16F-5, AT-MIO-64F-5, and most E Series devices	4,096	10 V	2,048	5 V
16-bit E Series devices and AT-MIO-16X	65,536	10 V	32,768	10 V
Lab-PC+, Lab-PC-1200, Lab-PC-1200AI, DAQPad-1200, DAQCard-1200, PCI-1200	4,096	10 V	2,048	5 V
DAQCard-700, LPM devices	4,096	*	2,048	*
516 devices	N/A	N/A	32,768	5 V
DAQCard-500	N/A	N/A	2,048	5 V
PCI-6110E and PCI-6111E	N/A	N/A	2,048	10 V
DSA devices	N/A	N/A	2,147,418,112	10 V
* The value of <b>maxVolt</b> depends on <b>inputRange</b> , as discussed in <code>AI_Configure</code> .				

For the PC-LPM-16 and DAQCard-1200, gain is ignored, and the following formula is used:

$$\text{voltage} = \left( \frac{\text{reading} - \text{offset}}{\text{maxReading}} \right) \times (\text{maxVolt})$$



# Offset and Gain Adjustment

## Measurement of Offset

To determine the **offset** parameter used in the `AI_VScale` and `DAQ_VScale` functions, follow this procedure:

1. Ground analog input channel  $i$ , where  $i$  can be any valid input channel.
2. Call the `AI_Read` function with **gain** set to the gain that will be used in your real acquisition ( $g$ ). The reading given by the `AI_Read` function is the value of **offset**. The offset is only valid for the gain setting at which it was measured. Remember that the data type of **offset** in the `AI_VScale` and `DAQ_VScale` functions is floating point, so if you use `AI_Read` to get the offset, you will have to typecast it before passing it to the scale function.



### Note

*Another way to read the offset is to perform multiple readings using a `DAQ` function call and average them to be more accurate and reduce the effects of noise.*

## Measurement of Gain Adjustment

To determine the **gainAdjust** parameter used in the `AI_VScale` and `DAQ_VScale` functions, follow this procedure:

1. Connect the known voltage  $V_{in}$  to channel  $i$ .
2. Call the `AI_Read` function with gain equal to  $g$ . Use the reading returned by `AI_Read` with the offset value determined above to calculate the real gain.



### Note

*You can use the `DAQ` functions to take many readings and average them instead of using the `AI_Read` function.*

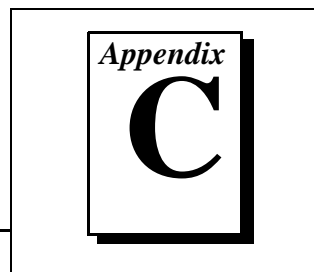
The real gain is computed as follows:

$$G_R = \left( \frac{\text{reading} - \text{offset}}{\text{maxReading}} \right) \times \left( \frac{\text{maxVolt}}{V_{in}} \right)$$

The gain adjustment is computed as follows:

$$\text{gainAdjust} = \left[ 1 - \frac{(g - G_R)}{g} \right]$$

# NI-DAQ Function Support



This appendix contains tables that show which DAQ hardware each NI-DAQ function call supports.

The NI-DAQ functions are listed in alphabetical order. A check mark indicates the hardware that the function supports. If you attempt to call an NI-DAQ function using a device that the function does not support, NI-DAQ returns a **deviceSupportError**.

Table C-1 lists the NI-DAQ functions for MIO and AI devices. Table C-2 lists the NI-DAQ functions for the Lab/516/DAQCard-500/700 devices. Table C-3 lists the NI-DAQ functions for the DSA devices. Table C-4 lists the NI-DAQ functions for the Analog Output device family. Table C-5 lists the NI-DAQ functions for the Digital I/O device family. Table C-6 lists the NI-DAQ functions for the PC-TIO-10 device. Table C-7 lists the SCXI functions used with SCXI modules and compatible DAQ boards.

**Table C-1.** MIO and AI Device Functions

Function	Device			
	Non-E Series AI-MIO	AI E Series	PCI-6110E and PCI-6111E	MIO E Series
AI_Change_Parameter			✓	
AI_Check	✓	✓	✓	✓
AI_Clear	✓	✓	✓	✓
AI_Configure	✓	✓	✓	✓
AI_Mux_Config	✓	✓	✓	✓
AI_Read	✓	✓	✓	✓
AI_Read_Scan		✓	✓	✓
AI_Setup	✓	✓	✓	✓

**Table C-1.** MIO and AI Device Functions (Continued)

Function	Device			
	Non-E Series AT-MIO	AI E Series	PCI-6110E and PCI-6111E	MIO E Series
AI_VRead	✓	✓	✓	✓
AI_VRead_Scan		✓	✓	✓
AI_VScale	✓	✓	✓	✓
Align_DMA_Buffer				
AO_Change_Parameter			✓	✓
AO_Configure	✓		✓	✓
AO_Update	✓		✓	✓
AO_VScale	✓		✓	✓
AO_VWrite	✓		✓	✓
AO_Write	✓		✓	✓
Calibrate_E_Series		✓	✓	✓
Config_Alarm_Deadband	✓	✓	✓	✓
Config_ATrig_Event_Message	✓	✓	✓	✓
Config_DAQ_Event_Message	✓	✓	✓	✓
Configure_HW_Analog_Trigger		†	†	†
CTR_Config	✓			
CTR_EvCount	✓			
CTR_EvRead	✓			
CTR_FOUT_Config	✓			
CTR_Period	✓			
CTR_Pulse	✓			
CTR_Rate	✓			
CTR_Reset	✓			
CTR_Restart	✓			
CTR_Simul_Op	✓			
CTR_Square	✓			

**Table C-1.** MIO and AI Device Functions (Continued)

Function	Device			
	Non-E Series AI-MIO	AI E Series	PCI-6110E and PCI-6111E	MIO E Series
CTR_State	✓			
CTR_Stop	✓			
DAQ_Check	✓	✓	✓	✓
DAQ_Clear	✓	✓	✓	✓
DAQ_Config	✓	✓	✓	✓
DAQ_DB_Config	✓	✓	✓	✓
DAQ_DB_HalfReady	✓	✓	✓	✓
DAQ_DB_Transfer	✓	✓	✓	✓
DAQ_Monitor	✓	✓	✓	✓
DAQ_Op	✓	✓	✓	✓
DAQ_Rate	✓	✓	✓	✓
DAQ_Start	✓	✓	✓	✓
DAQ_StopTrigger_Config	✓	✓	✓	✓
DAQ_to_Disk	✓	✓	✓	✓
DAQ_VScale	✓	✓	✓	✓
DIG_Block_Check				*
DIG_Block_Clear				*
DIG_Block_In				*
DIG_Block_Out				*
DIG_In_Line	✓	✓	✓	✓
DIG_In_Port	✓	✓	✓	✓
DIG_Line_Config		✓	✓	✓
DIG_Out_Line	✓	✓	✓	✓
DIG_Out_Port	✓	✓	✓	✓
DIG_Prt_Config	✓	✓	✓	✓
DIG_Prt_Status				*

**Table C-1.** MIO and AI Device Functions (Continued)

Function	Device			
	Non-E Series AT-MIO	AI E Series	PCI-6110E and PCI-6111E	MIO E Series
DIG_SCAN_Setup				*
Get_DAQ_Device_Info	✓	✓	✓	✓
Get_NI_DAQ_Version	✓	✓	✓	✓
GPCTR_Change_Parameter		✓	✓	✓
GPCTR_Config_Buffer		✓	✓	✓
GPCTR_Control		✓	✓	✓
GPCTR_Set_Application		✓	✓	✓
GPCTR_Watch		✓	✓	✓
Init_DA_Brds	✓	✓	✓	✓
MIO_Calibrate				
MIO_Config		✓		✓
RTSI_Clear	✓			
RTSI_Clock				
RTSI_Conn	✓			
RTSI_DisConn	✓			
SC_2040_Config		✓		✓
SCAN_Demux	✓	✓		✓
SCAN_Op	✓	✓	✓	✓
SCAN_Sequence_Demux	✓	✓		✓
SCAN_Sequence_Retrieve	✓	✓		✓
SCAN_Sequence_Setup	✓	✓		✓
SCAN_Setup	✓	✓	✓	✓
SCAN_Start	✓	✓	✓	✓
SCAN_to_Disk	✓	✓	✓	✓
Select_Signal		✓	✓	✓
Set_DAQ_Device_Info	✓	✓	✓	✓

**Table C-1.** MIO and AI Device Functions (Continued)

Function	Device			
	Non-E Series AT-MIO	AI E Series	PCI-6110E and PCI-6111E	MIO E Series
Timeout_Config	✓	✓	✓	✓
WFM_Chan_Control	✓			
WFM_Check	✓		✓	✓
WFM_ClockRate	✓		✓	✓
WFM_DB_Config	✓		✓	✓
WFM_DB_HalfReady	✓		✓	✓
WFM_DB_Transfer	✓		✓	✓
WFM_from_Disk	✓		✓	✓
WFM_Group_Control	✓		✓	✓
WFM_Group_Setup	✓		✓	✓
WFM_Load	✓		✓	✓
WFM_Op	✓		✓	✓
WFM_Rate	✓		✓	✓
WFM_Scale	✓		✓	✓
† All E Series devices except for XE-50 devices				
* AT-MIO-16DE-10 only				

**Table C-2.** Lab/516/DAQCard-500/700 Functions

Function	Device			
	516 and LPM Devices	DAQCard-500/700	Lab-PC+	1200 Series
AI_Check	✓	✓	✓	✓
AI_Clear	✓	✓	✓	✓
AI_Configure	✓	✓	✓	✓
AI_Read	✓	✓	✓	✓
AI_Setup	✓	✓	✓	✓
AI_VRead	✓	✓	✓	✓
AI_VScale	✓	✓	✓	✓
AO_Configure			✓	††
AO_Update			✓	††
AO_VScale			✓	††
AO_VWrite			✓	††
AO_Write			✓	††
Calibrate_1200				✓
Config_Alarm_Deadband	✓	✓	✓	✓
Config_ATrig_Event_Message	✓	✓	✓	✓
Config_DAQ_Event_Message	✓	✓	✓	✓
DAQ_Check	✓	✓	✓	✓
DAQ_Clear	✓	✓	✓	✓
DAQ_Config	✓	✓	✓	✓
DAQ_DB_Config	✓	✓	✓	✓
DAQ_DB_HalfReady	✓	✓	✓	✓
DAQ_DB_Transfer	✓	✓	✓	✓
DAQ_Monitor	✓	✓	✓	✓
DAQ_Op	✓	✓	✓	✓
DAQ_Rate	✓	✓	✓	✓
DAQ_Start	✓	✓	✓	✓
DAQ_StopTrigger_Config			✓	✓

**Table C-2.** Lab/516/DAQCard-500/700 Functions (Continued)

Function	Device			
	516 and LPM Devices	DAQCard-500/700	Lab-PC+	1200 Series
DAQ_to_Disk	✓	✓	✓	✓
DAQ_VScale	✓	✓	✓	✓
DIG_Block_Check			✓	✓
DIG_Block_Clear			✓	✓
DIG_Block_In			✓	✓
DIG_Block_Out			✓	✓
DIG_In_Line	✓	✓	✓	✓
DIG_In_Port	✓	✓	✓	✓
DIG_Out_Line	✓	✓	✓	✓
DIG_Out_Port	✓	✓	✓	✓
DIG_Prt_Config	✓	✓	✓	✓
DIG_Prt_Status			✓	✓
DIG_SCAN_Setup			✓	✓
Get_DAQ_Device_Info	✓	✓	✓	✓
Get_NI_DAQ_Version	✓	✓	✓	✓
ICTR_Read	✓	✓	✓	✓
ICTR_Reset	✓	✓	✓	✓
ICTR_Setup	✓	✓	✓	✓
Init_DA_Brds	✓	✓	✓	✓
Lab_ISCAN_Check	✓	✓	✓	✓
Lab_ISCAN_Op	✓	✓	✓	✓
Lab_ISCAN_Start	✓	✓	✓	✓
Lab_ISCAN_to_Disk	✓	✓	✓	✓
LPM16_Calibrate	**			
MIO_Config				✓
SCAN_Demux	✓	✓	✓	✓
Set_DAQ_Device_Info	✓	✓	✓	✓



**Table C-2.** Lab/516/DAQCard-500/700 Functions (Continued)

Function	Device			
	516 and LPM Devices	DAQCard-500/700	Lab-PC+	1200 Series
Timeout_Config	✓	✓	✓	✓
WFM_Chan_Control			✓	††
WFM_Check			✓	††
WFM_ClockRate			✓	††
WFM_DB_Config			✓	††
WFM_DB_HalfReady			✓	††
WFM_DB_Transfer			✓	††
WFM_from_Disk			✓	††
WFM_Group_Control			✓	††
WFM_Group_Setup			✓	††
WFM_Load			✓	††
WFM_Op			✓	††
WFM_Rate			✓	††
WFM_Scale			✓	††
** LPM devices only				
†† Except for 1200AI				

**Table C-3.** DSA Device Functions

Function	Device			
	PCI-4451	PCI-4551	PCI-4452	PCI-4552
AI_Change_Parameter	✓	✓	✓	✓
AO_Change_Parameter	✓	✓		
AO_Configure	✓	✓		
Config_HW_Analog_Trigger	✓	✓	✓	✓
DAQ_Check	✓	✓	✓	✓
DAQ_Clear	✓	✓	✓	✓
DAQ_Config	✓	✓	✓	✓
DAQ_DB_Config	✓	✓	✓	✓
DAQ_DB_HalfReady	✓	✓	✓	✓
DAQ_DB_Transfer	✓	✓	✓	✓
DAQ_Monitor	✓	✓	✓	✓
DAQ_Op	✓	✓	✓	✓
DAQ_Set_Clock	✓	✓	✓	✓
DAQ_Start	✓	✓	✓	✓
DAQ_StopTrigger_Config	✓	✓	✓	✓
DAQ_to_Disk	✓	✓	✓	✓
DAQ_VScale	✓	✓	✓	✓
DIG_In_Line	✓	✓	✓	✓
DIG_In_Port	✓	✓	✓	✓
DIG_Line_Config	✓	✓	✓	✓
DIG_Out_Line	✓	✓	✓	✓
DIG_Out_Port	✓	✓	✓	✓
DIG_Prt_Config	✓	✓	✓	✓
Get_DAQ_Device_Info	✓	✓	✓	✓
GPCTR_Change_Parameter	✓	✓	✓	✓
GPCTR_Config_Buffer	✓	✓	✓	✓
GPCTR_Control	✓	✓	✓	✓
GPCTR_Read_Buffer	✓	✓	✓	✓
GPCTR_Set_Application	✓	✓	✓	✓

**Table C-3.** DSA Device Functions (Continued)

Function	Device			
	PCI-4451	PCI-4551	PCI-4452	PCI-4552
GPCTR_Watch	✓	✓	✓	✓
Init_DA_Brds	✓	✓	✓	✓
SCAN_Demux	✓	✓	✓	✓
SCAN_Op	✓	✓	✓	✓
SCAN_Setup	✓	✓	✓	✓
SCAN_Start	✓	✓	✓	✓
SCAN_to_Disk	✓	✓	✓	✓
Select_Signal	✓	✓	✓	✓
Set_DAQ_Device_Info	✓	✓	✓	✓
Timeout_Config	✓	✓	✓	✓
WFM_Check	✓	✓		
WFM_DB_Config	✓	✓		
WFM_DB_HalfReady	✓	✓		
WFM_DB_Transfer	✓	✓		
WFM_from_Disk	✓	✓		
WFM_Group_Control	✓	✓		
WFM_Group_Setup	✓	✓		
WFM_Load	✓	✓		
WFM_Op	✓	✓		
WFM_Scale	✓	✓		
WFM_Set_Clock	✓	✓		

**Table C-4.** Analog Output Family Functions

Function	Device			
	DAQArb 5411 Devices	AO-2DC Series	AT-AO-6/10	VXI-AO-48XDC
AO_Calibrate			✓	
AO_Change_Parameter	✓	✓		✓
AO_Configure	✓	✓	✓	✓
AO_Update			✓	✓
AO_VScale			✓	✓
AO_VWrite		✓	✓	✓
AO_Write			✓	✓
Config_DAQ_Event_Message			✓	
DIG_In_Line		✓	✓	✓
DIG_In_Port		✓	✓	✓
DIG_Line_Config				✓
DIG_Out_Line		✓	✓	✓
DIG_Out_Port		✓	✓	✓
DIG_Prt_Config		✓	✓	✓
Get_DAQ_Device_Info	✓	✓	✓	✓
Get_NI_DAQ_Version	✓	✓	✓	✓
Init_DA_Brds	✓	✓	✓	
RTSI_Clear			✓	
RTSI_Clock			✓	
RTSI_Conn			✓	
RTSI_DisConn			✓	
Select_Signal	✓			
Set_DAQ_Device_Info				✓
Timeout_Config			✓	
WFM_Chan_Control			✓	
WFM_Check			✓	
WFM_ClockRate	✓		✓	

**Table C-4.** Analog Output Family Functions (Continued)

Function	Device			
	DAQArb 5411 Devices	AO-2DC Series	AT-AO-6/10	VXI-AO-48XDC
WFM_DB_Config			✓	
WFM_DB_HalfReady			✓	
WFM_DB_Transfer			✓	
WFM_from_Disk			✓	
WFM_Group_Control	✓		✓	
WFM_Group_Setup	✓		✓	
WFM_Load	✓		✓	
WFM_Op			✓	
WFM_Rate			✓	
WFM_Scale			✓	

**Table C-5.** Digital I/O Family Functions

Function	Device				
	AT-DIO-32F	DAQDIO 6533 (DIO-32HS)	DIO-24 and DIO-96	PC-OPDIO-16	VXI-DIO-128
Align_DMA_Buffer	✓				
Config_DAQ_Event_Message	✓	✓	✓		
DIG_Block_Check	✓	✓	✓		
DIG_Block_Clear	✓	✓	✓		
DIG_Block_In	✓	✓	✓		
DIG_Block_Out	✓	✓	✓		

**Table C-5.** Digital I/O Family Functions (Continued)

Function	Device				
	AT-DIO-32F	DAQDIO 6533 (DIO-32HS)	DIO-24 and DIO-96	PC-OPDIO-16	VXI-DIO-128
DIG_Block_PG_Config	✓	✓			
DIG_DB_Config	✓	✓			
DIG_DB_HalfReady	✓	✓			
DIG_DB_Tansfer	✓	✓			
DIG_GRP_Config	✓	✓			
DIG_GRP_Mode	✓	✓			
DIG_GRP_Status	✓	✓			
DIG_In_Grp	✓	✓			
DIG_In_Line	✓	✓	✓	✓	✓
DIG_In_Port	✓	✓	✓	✓	✓
DIG_Line_Config		✓			✓
DIG_Out_Grp	✓	✓			
DIG_Out_Line	✓	✓	✓	✓	✓
DIG_Out_Port	✓	✓	✓	✓	✓
DIG_Prt_Config	✓	✓	✓	✓	✓
DIG_Prt_Status			✓		
DIG_SCAN_Setup			✓		
DIG_Trigger_Config		✓			
Get_DAQ_Device_Info	✓	✓	✓	✓	✓
Get_NI_DAQ_Version	✓	✓	✓	✓	✓
Init_DA_Brds	✓	✓	✓	✓	
RTSI_Clear	✓	✓			
RTSI_Clock		✓			
RTSI_Conn	✓	✓			

**Table C-5.** Digital I/O Family Functions (Continued)

Function	Device				
	AT-DIO-32F	DAQDIO 6533 (DIO-32HS)	DIO-24 and DIO-96	PC-OPDIO-16	VXI-DIO-128
RTSI_DisConn	✓	✓			
Set_DAQ_Device_Info	✓	✓			✓
Timeout_Config	✓	✓			

**Table C-6.** Timing Device Functions

Function	Device	
	PC-TIO-10	6602 devices
Config_DAQ_Event_Message	✓	
CTR_Config	✓	
CTR_EvCount	✓	
CTR_EvRead	✓	
CTR_FOUT_Config	✓	
CTR_Period	✓	
CTR_Pulse	✓	
CTR_Rate	✓	
CTR_Reset	✓	
CTR_Restart	✓	
CTR_Simul_Op	✓	
CTR_Square	✓	
CTR_State	✓	
CTR_Stop	✓	
DIG_In_Line	✓	
DIG_In_Port	✓	

**Table C-6.** Timing Device Functions (Continued)

Function	Device	
	PC-TIO-10	6602 devices
DIG_Line_Config	✓	
DIG_Out_Line	✓	
DIG_Out_Port	✓	
DIG_Prt_Config	✓	
Get_DAQ_Device_Info	✓	
Get_NI_DAQ_Version	✓	
GPCTR_Change_Parameter		✓
GPCTR_Config_Buffer		✓
GPCTR_Control		✓
GPCTR_Read_Buffer		✓
GPCTR_Set_Application		✓
GPCTR_Watch		✓
Init_DA_Brds	✓	
Line_Change_Attribute		✓
Select_Signal		✓
Set_DAQ_Device_Info		✓



**Table C-7.** SCXI Functions

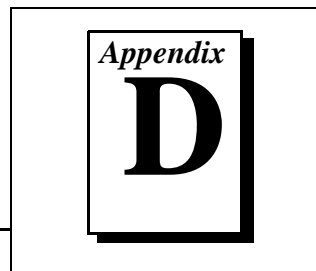
Function	Module													Device							
	SCXI-1100	1102 Series	SCXI-1120, SCXI-1120D	SCXI-1121	SCXI-1122	SCXI-1124	SCXI-1140	SCXI-1141	SCXI-1160	SCXI-1161	SCXI-1162/1162HV	SCXI-1163/1163R	VXI-SC-1150	SCXI-1200	AO-2DC	DAQCard-700	DIO Devices	Lab and 1200 Devices (except DAQPad-1200 and SCXI-1200)	MIO and AI Devices	LPM Devices	
SCXI_AO_Write						✓															
SCXI_Cal_Constants	✓	✓	✓	✓	✓	✓	✓	✓													
SCXI_Calibrate_Setup	✓	✓		✓	✓			✓													
SCXI_Change_Chan	✓	✓	✓	✓	✓		✓	✓													
SCXI_Configure_Filter					✓			✓													
SCXI_Get_Chassis_Info	✓	✓	✓	✓	✓	✓	✓	✓	✓	✓	✓	✓	✓								
SCXI_Get_Module_Info	✓	✓	✓	✓	✓	✓	✓	✓	✓	✓	✓	✓	✓	✓							
SCXI_Get_State									✓	✓	✓	✓									
SCXI_Get_Status		✓				✓			✓												
SCXI_Load_Config	✓	✓	✓	✓	✓	✓	✓	✓	✓	✓	✓	✓	✓	✓	✓	✓	✓	✓	✓	✓	✓
SCXI_ModuleID_Read	✓	✓	✓	✓	✓	✓	✓	✓	✓	✓	✓	✓	✓	✓	✓						
SCXI_MuxCtr_Setup														✓				✓	✓		
SCXI_Reset	✓	✓	✓	✓	✓	✓	✓	✓	✓	✓	✓	✓	✓	✓							
SCXI_Scale	✓	✓	✓	✓	✓		✓	✓						✓		✓		✓	✓	✓	✓
SCXI_SCAN_Setup	✓	✓	✓	✓	✓		✓	✓						✓				✓	✓		
SCXI_Set_Config	✓	✓	✓	✓	✓	✓	✓	✓	✓	✓	✓	✓	✓			✓	✓	✓	✓	✓	✓
SCXI_Set_Gain	✓				✓			✓													
SCXI_Set_Input_Mode					✓																
SCXI_Set_State									✓	✓		✓									

**Table C-7.** SCXI Functions (Continued)

Function	Module												Device							
	SCXI-1100	1102 Series	SCXI-1120, SCXI-1120D	SCXI-1121	SCXI-1122	SCXI-1124	SCXI-1140	SCXI-1141	SCXI-1160	SCXI-1161	SCXI-1162/1162HV	SCXI-1163/1163R	VXI-SC-1150	SCXI-1200	AO-2DC	DAQCard-700	DIO Devices	Lab and 1200 Devices (except DAQPad-1200 and SCXI-1200)	MIO and AI Devices	LPM Devices
SCXI_Single_Chan_Setup	✓	✓	✓	✓	✓		✓	✓						✓		✓		✓	✓	✓
SCXI_Track_Hold_Control							✓							✓		✓		✓	✓	✓
SCXI_Track_Hold_Setup							✓							✓		✓		✓	✓	✓

# Customer Communication

---



For your convenience, this appendix contains forms to help you gather the information necessary to help us solve your technical problems and a form you can use to comment on the product documentation. When you contact us, we need the information on the Technical Support Form and the configuration form, if your manual contains one, about your system configuration to answer your questions as quickly as possible.

National Instruments has technical assistance through electronic, fax, and telephone systems to quickly provide the information you need. Our electronic services include a bulletin board service, an FTP site, a fax-on-demand system, and e-mail support. If you have a hardware or software problem, first try the electronic support systems. If the information available on these systems does not answer your questions, we offer fax and telephone support through our technical support centers, which are staffed by applications engineers.

## Electronic Services

### Bulletin Board Support

National Instruments has BBS and FTP sites dedicated for 24-hour support with a collection of files and documents to answer most common customer questions. From these sites, you can also download the latest instrument drivers, updates, and example programs. For recorded instructions on how to use the bulletin board and FTP services and for BBS automated information, call 512 795 6990. You can access these services at:

United States: 512 794 5422

Up to 14,400 baud, 8 data bits, 1 stop bit, no parity

United Kingdom: 01635 551422

Up to 9,600 baud, 8 data bits, 1 stop bit, no parity

France: 01 48 65 15 59

Up to 9,600 baud, 8 data bits, 1 stop bit, no parity

### FTP Support

To access our FTP site, log on to our Internet host, `ftp.natinst.com`, as anonymous and use your Internet address, such as `joesmith@anywhere.com`, as your password. The support files and documents are located in the `/support` directories.

## Fax-on-Demand Support

Fax-on-Demand is a 24-hour information retrieval system containing a library of documents on a wide range of technical information. You can access Fax-on-Demand from a touch-tone telephone at 512 418 1111.

## E-Mail Support (Currently USA Only)

You can submit technical support questions to the applications engineering team through e-mail at the Internet address listed below. Remember to include your name, address, and phone number so we can contact you with solutions and suggestions.

support@natinst.com

## Telephone and Fax Support

National Instruments has branch offices all over the world. Use the list below to find the technical support number for your country. If there is no National Instruments office in your country, contact the source from which you purchased your software to obtain support.

<b>Country</b>	<b>Telephone</b>	<b>Fax</b>
Australia	03 9879 5166	03 9879 6277
Austria	0662 45 79 90 0	0662 45 79 90 19
Belgium	02 757 00 20	02 757 03 11
Brazil	011 288 3336	011 288 8528
Canada (Ontario)	905 785 0085	905 785 0086
Canada (Quebec)	514 694 8521	514 694 4399
Denmark	45 76 26 00	45 76 26 02
Finland	09 725 725 11	09 725 725 55
France	01 48 14 24 24	01 48 14 24 14
Germany	089 741 31 30	089 714 60 35
Hong Kong	2645 3186	2686 8505
Israel	03 6120092	03 6120095
Italy	02 413091	02 41309215
Japan	03 5472 2970	03 5472 2977
Korea	02 596 7456	02 596 7455
Mexico	5 520 2635	5 520 3282
Netherlands	0348 433466	0348 430673
Norway	32 84 84 00	32 84 86 00
Singapore	2265886	2265887
Spain	91 640 0085	91 640 0533
Sweden	08 730 49 70	08 730 43 70
Switzerland	056 200 51 51	056 200 51 55
Taiwan	02 377 1200	02 737 4644
United Kingdom	01635 523545	01635 523154
United States	512 795 8248	512 794 5678

# Technical Support Form

Photocopy this form and update it each time you make changes to your software or hardware, and use the completed copy of this form as a reference for your current configuration. Completing this form accurately before contacting National Instruments for technical support helps our applications engineers answer your questions more efficiently.

If you are using any National Instruments hardware or software products related to this problem, include the configuration forms from their user manuals. Include additional pages if necessary.

Name \_\_\_\_\_

Company \_\_\_\_\_

Address \_\_\_\_\_

\_\_\_\_\_

Fax ( \_\_\_\_ ) \_\_\_\_\_ Phone ( \_\_\_\_ ) \_\_\_\_\_

Computer brand \_\_\_\_\_ Model \_\_\_\_\_ Processor \_\_\_\_\_

Operating system (include version number) \_\_\_\_\_

Clock speed \_\_\_\_\_ MHz RAM \_\_\_\_\_ MB Display adapter \_\_\_\_\_

Mouse \_\_\_yes \_\_\_no Other adapters installed \_\_\_\_\_

Hard disk capacity \_\_\_\_\_ MB Brand \_\_\_\_\_

Instruments used \_\_\_\_\_

\_\_\_\_\_

National Instruments hardware product model \_\_\_\_\_ Revision \_\_\_\_\_

Configuration \_\_\_\_\_

National Instruments software product \_\_\_\_\_ Version \_\_\_\_\_

Configuration \_\_\_\_\_

The problem is: \_\_\_\_\_

\_\_\_\_\_

\_\_\_\_\_

\_\_\_\_\_

\_\_\_\_\_

List any error messages: \_\_\_\_\_

\_\_\_\_\_

\_\_\_\_\_

The following steps reproduce the problem: \_\_\_\_\_

\_\_\_\_\_

\_\_\_\_\_

\_\_\_\_\_

\_\_\_\_\_

# NI-DAQ for PC Compatibles Hardware and Software Configuration Form

Record the settings and revisions of your hardware and software on the line to the right of each item. Complete a new copy of this form each time you revise your software or hardware configuration, and use this form as a reference for your current configuration. Completing this form accurately before contacting National Instruments for technical support helps our applications engineers answer your questions more efficiently.

## National Instruments Products

DAQ hardware \_\_\_\_\_

Interrupt level of hardware \_\_\_\_\_

DMA channels of hardware \_\_\_\_\_

Base I/O address of hardware \_\_\_\_\_

Programming choice \_\_\_\_\_

National Instruments software \_\_\_\_\_

Other boards in system \_\_\_\_\_

Base I/O address of other boards \_\_\_\_\_

DMA channels of other boards \_\_\_\_\_

Interrupt level of other boards \_\_\_\_\_

## Other Products

Computer make and model \_\_\_\_\_

Microprocessor \_\_\_\_\_

Clock frequency or speed \_\_\_\_\_

Type of video board installed \_\_\_\_\_

Operating system version \_\_\_\_\_

Operating system mode \_\_\_\_\_

Programming language \_\_\_\_\_

Programming language version \_\_\_\_\_

Other boards in system \_\_\_\_\_

Base I/O address of other boards \_\_\_\_\_

DMA channels of other boards \_\_\_\_\_

Interrupt level of other boards \_\_\_\_\_

# Documentation Comment Form

National Instruments encourages you to comment on the documentation supplied with our products. This information helps us provide quality products to meet your needs.

**Title:** *NI-DAQ™ Function Reference Manual for PC Compatibles*

**Edition Date:** April 1998

**Part Number:** 321645C-01

Please comment on the completeness, clarity, and organization of the manual.

---

---

---

---

---

---

---

---

If you find errors in the manual, please record the page numbers and describe the errors.

---

---

---

---

---

---

---

---

Thank you for your help.

Name \_\_\_\_\_

Title \_\_\_\_\_

Company \_\_\_\_\_

Address \_\_\_\_\_

E-Mail Address \_\_\_\_\_

Phone ( \_\_\_\_ ) \_\_\_\_\_ Fax ( \_\_\_\_ ) \_\_\_\_\_

**Mail to:** Technical Publications  
National Instruments Corporation  
6504 Bridge Point Parkway  
Austin, Texas 78730-5039

**Fax to:** Technical Publications  
National Instruments Corporation  
512 794 5678

<b>Prefix</b>	<b>Meanings</b>	<b>Value</b>
p-	pico	$10^{-12}$
n-	nano-	$10^{-9}$
$\mu$ -	micro-	$10^{-6}$
m-	milli-	$10^{-3}$
k-	kilo-	$10^3$
M-	mega-	$10^6$
G-	giga-	$10^9$
t-	tera-	$10^{12}$

## **Numbers/Symbols**

°	degree
≤	less than or equal to
-	minus
%	percent
+	plus
±	plus or minus
Ω	ohm

## **A**

AC	alternating current
ACK	acknowledge



A/D	analog-to-digital
ADC	A/D converter
ADC resolution	the resolution of the ADC, which is measured in bits. An ADC with 16 bits has a higher resolution, and thus a higher degree of accuracy, than a 12-bit ADC.
address	character code that identifies a specific location (or series of locations) in memory
AI	Analog Input
alias	a false lower frequency component that appears in sampled data acquired at too low a sampling rate
AMUX	AMUX-64T
API	application programming interface
asynchronous	(1) hardware—a property of an event that occurs at an arbitrary time, without synchronization to a reference clock (2) software—a property of a function that begins an operation and returns prior to the completion or termination of the operation
attenuate	to decrease the amplitude of a signal
<b>B</b>	
b	bit—one binary digit, either 0 or 1
B	byte—eight related bits of data, an eight-bit binary number. Also used to denote the amount of memory required to store one byte of data.
base address	a memory address that serves as the starting address for programmable registers. All other addresses are located by adding to the base address.
BCD	binary-coded decimal
binary	a number system with a base of 2
bipolar	a signal range that includes both positive and negative values (for example, -5 V to +5 V)

buffer	temporary storage for acquired or generated data (software)
burst-mode	a high-speed data transfer in which the address of the data is sent followed by back-to-back data words while a physical signal is asserted
bus	the group of conductors that interconnect individual circuitry in a computer. Typically, a bus is the expansion vehicle to which I/O or other devices are connected. Examples of PC buses are the ISA and PCI bus.

## C

C	Celsius
CalDAC	calibration DAC
cascading	process of extending the counting range of a counter chip by connecting to the next higher counter
channel	pin or wire lead to which you apply or from which you read the analog or digital signal. Analog signals can be single-ended or differential. For digital signals, you group channels to form ports. Ports usually consist of either four or eight digital channels.
channel clock	the clock controlling the time interval between individual channel sampling within a scan. Boards with simultaneous sampling do not have this clock.
CI	computing index
clock	hardware component that controls timing for reading from or writing to groups
counter/timer	a circuit that counts external pulses or clock pulses (timing)
CPU	central processing unit

## D

D/A	digital-to-analog
DAC	D/A converter

DAQ	data acquisition—(1) collecting and measuring electrical signals from sensors, transducers, and test probes or fixtures and inputting them to a computer for processing; (2) collecting and measuring the same kinds of electrical signals with A/D and/or DIO boards plugged into a computer, and possibly generating control signals with D/A and/or DIO boards in the same computer
dB	decibel—the unit for expressing a logarithmic measure of the ratio of two signal levels: $\text{dB}=20\log_{10} V_1/V_2$ , for signals in volts
DC	direct current
default setting	a default parameter value recorded in the driver. In many cases, the default input of a control is a certain value (often 0) that means <i>use the current default setting</i> . For example, the default input for a parameter may be <i>do not change current setting</i> , and the default setting may be <i>no AMUX-64T boards</i> . If you do change the value of such a parameter, the new value becomes the new setting. You can set default settings for some parameters in the configuration utility or manually using switches located on the device.
device	a plug-in data acquisition board, card, or pad that can contain multiple channels and conversion devices. Plug-in boards, PCMCIA cards, and devices such as the DAQPad-1200, which connects to your computer parallel port, are all examples of DAQ devices. SCXI modules are distinct from devices, with the exception of the SCXI-1200, which is a hybrid.
DIG	digital
digital port	<i>See</i> port.
DIN	Deutsche Industrie Norme
DIO	digital I/O
DIP	dual inline package
dithering	the addition of Gaussian noise to an analog input signal
DLL	dynamic-dynamic link library
DMA	direct memory access
DNL	differential nonlinearity—a measure in LSB of the worst-case deviation of code widths from their ideal value of 1 LSB

drivers software that controls a specific hardware device such as a DAQ board or a GPIB interface board

DSP digital signal processing

## E

EEPROM electronically erasable programmable read-only memory

EISA Extended Industry Standard Architecture

ETS Equivalent Time Sampling

## F

fetch-and-deposit a data transfer in which the data bytes are transferred from the source to the controller, and then from the controller to the target

FIFO first-in first-out memory buffer—the first data stored is the first data sent to the acceptor. FIFOs are often used on DAQ devices to temporarily store incoming or outgoing data until that data can be retrieved or output. For example, an analog input FIFO stores the results of A/D conversions until the data can be retrieved into system memory, a process that requires the servicing of interrupts and often the programming of the DMA controller. This process can take several milliseconds in some cases. During this time, data accumulates in the FIFO for future retrieval. With a larger FIFO, longer latencies can be tolerated. In the case of analog output, a FIFO permits faster update rates, because the waveform data can be stored on the FIFO ahead of time. This again reduces the effect of latencies associated with getting the data from system memory to the DAQ device.

filtering a type of signal conditioning that allows you to filter unwanted signals from the signal you are trying to measure

ft feet

## H

h hour

handle	pointer to a pointer to a block of memory; handles reference arrays and strings. An array of strings is a handle to a block of memory containing handles to strings.
handshaked digital I/O	a type of digital acquisition/generation where a device or module accepts or transfers data after a digital pulse has been received. Also called latched digital I/O.
hardware	the physical components of a computer system, such as the circuit boards, plug-in boards, chassis, enclosures, peripherals, and cables
hardware triggering	a form of triggering where you set the start time of an acquisition and gather data at a known position in time relative to a trigger signal
hex	hexadecimal
Hz	hertz
<b>I</b>	
ID	identification
IDE	integrated development environment
IEEE	Institute of Electrical and Electronics Engineers
instrument driver	a set of high-level software functions that controls a specific GPIB, VXI, or RS-232 programmable instrument or a specific plug-in DAQ board. Instrument drivers are available in several forms, ranging from a function callable language to a virtual instrument (VI) in LabVIEW.
interrupt	a computer signal indicating that the CPU should suspend its current task to service a designated activity
interrupt level	the relative priority at which a device can interrupt
I/O	input/output—the transfer of data to/from a computer system involving communications channels, operator interface devices, and/or data acquisition and control interfaces
IRQ	interrupt request
ISA	Industry Standard Architecture

**K**

k	kilo—the standard metric prefix for 1,000, or $10^3$ , used with units of measure such as volts, hertz, and meters
K	kilo—the prefix for 1,024, or $2^{10}$ , used with B in quantifying data or computer memory
kbytes/s	a unit for data transfer that means 1,000 or $10^3$ bytes/s
Kword	1,024 words of memory

**L**

LabVIEW	laboratory virtual instrument engineering workbench
latched digital I/O	a type of digital acquisition/generation where a device or module accepts or transfers data after a digital pulse has been received. Also called handshaked digital I/O.
LED	light-emitting diode
library	a file containing compiled object modules, each comprised of one or more functions, that can be linked to other object modules that make use of these functions. NIDAQMSC.LIB is a library that contains NI-DAQ functions. The NI-DAQ function set is broken down into object modules so that only the object modules that are relevant to your application are linked in, while those object modules that are not relevant are not linked.
LSB	least significant bit

**M**

m	meters
M	(1) Mega, the standard metric prefix for 1 million or $10^6$ , when used with units of measure such as volts and hertz; (2) mega, the prefix for 1,048,576, or $2^{20}$ , when used with B to quantify data or computer memory
MB	megabytes of memory
MBLT	eight-byte block transfers in which both the Address bus and the Data bus are used to transfer data

Mbytes/s	a unit for data transfer that means 1 million or $10^6$ bytes/s
MC	Micro Channel
memory buffer	<i>See</i> buffer.
min	minutes
MIO	multifunction I/O
MITE	MXI Interfaces to Everything—a custom ASIC designed by National Instruments that implements the PCI bus interface. The MITE supports bus mastering for high speed data transfers over the PCI bus.
MS	million samples
MSB	most significant bit
multiplexed mode	an SCXI operating mode in which analog input channels are multiplexed into one module output so that your cabled DAQ device has access to the module's multiplexed output as well as the outputs on all other multiplexed modules in the chassis through the SCXI bus. Also called serial mode.
mux	multiplexer—a switching device with multiple inputs that sequentially connects each of its inputs to its output, typically at high speeds, in order to measure several signals with a single analog input channel
<b>N</b>	
NC	Normally Closed
NI-DAQ	National Instruments driver software for DAQ hardware
NIST	National Institute of Standards and Technology
NO	Normally Open
nonlatched digital I/O	a type of digital acquisition/generation where LabVIEW updates the digital lines or port states immediately or returns the digital value of an input line. Also called immediate digital I/O or non-handshaking.

nonreferenced signal sources      signal sources with voltage signals that are not connected to an absolute reference or system ground. Also called floating signal sources. Some common example of nonreferenced signal sources are batteries, transformers, or thermocouples.

NRSE      nonreferenced single-ended mode—all measurements are made with respect to a common (NRSE) measurement system reference, but the voltage at this reference can vary with respect to the measurement system ground

## O

onboard channels      channels provided by the plug-in data acquisition board

onboard RAM      optional RAM usually installed into SIMM slots

operating system      base-level software that controls a computer, runs programs, interacts with users, and communicates with installed hardware or peripheral devices

optical coupler, optocoupler      a device designed to transfer electrical signals by utilizing light waves to provide coupling with electrical isolation between input and output. Sometimes called optoisolator or photocoupler.

OUT      Output

## P

parallel mode      a type of SCXI operating mode in which the module sends each of its input channels directly to a separate analog input channel of the device to the module

pattern generation      a type of handshaked (latched) digital I/O in which internal counters generate the handshaked signal, which in turn initiates a digital transfer. Because counters output digital pulses at a constant rate, this means you can generate and retrieve patterns at a constant rate because the handshaked signal is produced at a constant rate.

PC      personal computer

PC Card      a credit-card-sized expansion card that fits in a PCMCIA slot often referred to as a PCMCIA card

PCI      peripheral component interconnect



PCMCIA	an expansion bus architecture that has found widespread acceptance as a de facto standard in notebook-size computers. It originated as a specification for add-on memory cards written by the Personal Computer Memory Card International Association.
PFI	programmable function input
Plug and Play devices	devices that do not require dip switches or jumpers to configure resources on the devices—also called switchless devices
Plug and Play ISA	a specification prepared by Microsoft, Intel, and other PC-related companies that result in PCs with plug-in boards that can be fully configured in software, without jumpers or switches on the boards
port	(1) a communications connection on a computer or a remote controller (2) a digital port, consisting of four or eight lines of digital input and/or output
posttriggering	the technique used on a DAQ board to acquire a programmed number of samples after trigger conditions are met
pts	points
<b>R</b>	
RAM	random-access memory
real time	a property of an event or system in which data is processed as it is acquired instead of being accumulated and processed at a later time
REQ	request
rms	root mean square
ROM	read-only memory
RSE	referenced single-ended mode—all measurements are made with respect to a common reference measurement system or a ground. Also called a grounded measurement system.
RTSI bus	real-time system integration bus—the National Instruments timing bus that connects DAQ boards directly, by means of connectors on top of the boards, for precise synchronization of functions

**S**

s	seconds
S	samples
sample counter	the clock that counts the output of the channel clock, in other words, the number of samples taken. On boards with simultaneous sampling, this counter counts the output of the scan clock and hence the number of scans.
scan	one or more analog or digital input samples. Typically, the number of input samples in a scan is equal to the number of channels in the input group. For example, one pulse from the scan clock produces one scan which acquires one new sample from every analog input channel in the group.
scan clock	the clock controlling the time interval between scans. On boards with interval scanning support (for example, the AT-MIO-16F-5), this clock gates the channel clock on and off. On boards with simultaneous sampling (for example, the EISA-A2000), this clock clocks the track-and-hold circuitry.
scan rate	the number of scans per second. For example, a scan rate of 10 Hz means sampling each channel 10 times per second.
SCXI	Signal Conditioning eXtensions for Instrumentation
SDK	Software Development Kit
SE	single-ended—a term used to describe an analog input that is measured with respect to a common ground
self-calibrating	a property of a DAQ board that has an extremely stable onboard reference and calibrates its own A/D and D/A circuits without manual adjustments by the user
shared memory	<i>See</i> dual-access memory
signal conditioning	the manipulation of signals to prepare them for digitizing
software trigger	a programmed event that triggers an event such as data acquisition
software triggering	a method of triggering in which you simulate an analog trigger using software. Also called conditional retrieval.

SS	simultaneous sampling—a property of a system in which each input or output channel is digitized or updated at the same instant
S/s	samples per second
STC	system timing controller
switchless device	devices that do not require dip switches or jumpers to configure resources on the devices—also called Plug and Play devices
synchronous	(1) hardware—a property of an event that is synchronized to a reference clock (2) software—a property of a function that begins an operation and returns only when the operation is complete
<b>T</b>	
TC	terminal count
T/H	track-and-hold—a circuit that tracks an analog voltage and holds the value on command
transfer rate	the rate, measured in bytes/s, at which data is moved from source to destination after software initialization and set up operations; the maximum rate at which the hardware can operate
trigger	any event that causes or starts some form of data capture
TTL	transistor-transistor logic
<b>U</b>	
UI	update interval
unipolar	a signal range that is always positive (for example, 0 to +10 V)
update	the output equivalent of a scan. One or more analog or digital output samples. Typically, the number of output samples in an update is equal to the number of channels in the output group. For example, one pulse from the update clock produces one update which sends one new sample to every analog output channel in the group.
update rate	the number of output updates per second

## **V**

V volts

## **W**

waveform multiple voltage readings taken at a specific sampling rate

WF waveform

wire data path between nodes

word the standard number of bits that a processor or memory manipulates at one time. Microprocessors typically use 8-bit, 16-bit, or 32-bit words.

## **X**

XMS extended memory specification

## Numbers

8253 counter (ICTR) functions. *See* counter/timer functions.

## A

AI and MIO device function support (table), C-1 to C-5

AI\_Change\_Parameter function, 2-1 to 2-2

AI\_Check function, 2-3 to 2-4

AI\_Clear function, 2-5

AI\_Configure function, 2-6 to 2-9

AI\_MUX\_Config function, 2-10 to 2-11

AI\_Read function, 2-12 to 2-13

AI\_Read\_Scan function, 2-14

AI\_Setup function, 2-15 to 2-16

AI\_VRead function, 2-17 to 2-18

AI\_VRead\_Scan function, 2-19

AI\_VScale function, 2-20 to 2-21

Align\_DMA\_Buffer function, 2-22 to 2-24

Am9513 counter (CTR) functions. *See* counter/timer functions.

AMUX-64T boards, configuring, 2-10 to 2-11

analog filter

enabling/disabling, 2-31

frequency correction, 2-33 to 2-34

analog input calibration, SCXI modules, 2-326 to 2-328

analog input channel settings

DAQ devices (table), B-1 to B-2

internal channel purposes for analog input devices (table), B-4

valid internal analog input channels (table), B-2 to B-3

analog input functions

AI\_Change\_Parameter, 2-1 to 2-2

AI\_Check, 2-3 to 2-4

AI\_Clear, 2-5

AI\_Configure, 2-6 to 2-9

AI\_MUX\_Config, 2-10 to 2-11

AI\_Read, 2-12 to 2-13

AI\_Setup, 2-15 to 2-16

AI\_VRead, 2-17 to 2-18

AI\_VScale, 2-20 to 2-21

Configure\_HW\_Analog\_Trigger, 2-83 to 2-89

DAQ\_Check function, 2-115 to 2-116

DAQ\_Clear, 2-117

DAQ\_Config, 2-118 to 2-120

DAQ\_DB\_Config, 2-121

DAQ\_DB\_HalfReady, 2-122 to 2-123

DAQ\_DB\_Transfer, 2-124 to 2-125

DAQ\_Monitor, 2-126 to 2-128

DAQ\_Rate, 2-132 to 2-133

DAQ\_Set\_Clock, 2-134 to 2-135

DAQ\_Start, 2-136 to 2-139

DAQ\_StopTrigger\_Config, 2-140 to 2-141

DAQ\_VScale, 2-145 to 2-146

definition, 1-13

Lab\_ISCAN\_Check, 2-263 to 2-265

Lab\_ISCAN\_Start, 2-270 to 2-273

LabWindows function panel tree, 1-7 to 1-8

NI-DAQ function support (table)

DSA devices, C-9 to C-10

Lab/516/DAQCard-500/700 devices, C-6 to C-7

MIO and AI devices, C-1 to C-5

SCAN\_Demux, 2-294 to 2-295

- SCAN\_Sequence\_Demux, 2-300 to 2-302
  - SCAN\_Sequence\_Retrieve, 2-303
  - SCAN\_Sequence\_Setup, 2-304 to 2-306
  - SCAN\_Setup, 2-307 to 2-308
  - SCAN\_Start, 2-309 to 2-314
  - Select\_Signal, 2-372 to 2-388
  - analog output calibration, SCXI modules, 2-328 to 2-329
  - analog output functions. *See also* waveform generation functions.
    - AO\_Change\_Parameter, 2-27 to 2-37
    - AO\_Configure, 2-38 to 2-41
    - AO\_Update, 2-42
    - AO\_VScale, 2-43 to 2-44
    - AO\_VWrite, 2-45 to 2-46
    - AO\_Write, 2-47 to 2-48
    - definition, 1-13
    - LabWindows function panel tree, 1-8 to 1-9
    - NI-DAQ function support (table)
      - DAQArb, AO-2DC, AT-AO-6/10, and VXI-AO-48XDC devices, C-11 to C-12
      - Lab/516/DAQCard-500/700 functions, C-6, C-8
      - MIO and AI devices, C-2, C-5
  - analog trigger event (figure), 2-70
  - AO\_Calibrate function, 2-25 to 2-26
  - AO\_Change\_Parameter function, 2-27 to 2-37
    - analog filter, 2-31
    - buffer interrupts, 2-36
    - DAQArb 5411 device parameters, 2-31 to 2-36
    - description, 2-27 to 2-28
    - digital filter, 2-31
    - FIFO transfer condition, 2-29 to 2-30
    - FIFO transfer count, 2-30 to 2-31
    - frequency correction for analog filter, 2-33 to 2-34
    - ground DAC reference, 2-31
    - memory transfer width, 2-37
    - output attenuation, 2-33
    - output enable, 2-32
    - output impedance, 2-32
    - PLL reference frequency, 2-35
    - reglitching, 2-28
    - SYNC duty cycle, 2-35 to 2-36
    - trigger mode, 2-34 to 2-35
    - using the function, 2-26 to 2-37
    - voltage or current output, 2-28 to 2-29
  - AO\_Configure function, 2-38 to 2-41
  - AO\_Update function, 2-42
  - AO\_VScale function, 2-43 to 2-44
  - AO\_VWrite function, 2-45 to 2-46
  - AO\_Write function, 2-47 to 2-48
  - arrays, 1-3
- ## B
- block transfer digital I/O functions. *See* digital I/O functions.
  - board numbers. *See* device numbers.
  - boards, terminology for (table), xvii-xviii
  - board-specific functions
    - AI\_MUX\_Config, 2-10 to 2-11
    - AO\_Calibrate, 2-25 to 2-26
    - Calibrate\_1200, 2-49 to 2-54
    - LPM16\_Calibrate, 2-279
    - MIO\_Calibrate, 2-280 to 2-283
    - MIO\_Config, 2-284 to 2-285
    - SC\_2040\_Config, 2-292 to 2-293
  - Borland Delphi, 1-4
  - buffer interrupts, enabling/disabling, 2-36
  - buffered counting and time measurement
    - event counting application, 2-235 to 2-237
    - period measurement application, 2-237 to 2-239
    - pulse width measurement application, 2-240 to 2-241

- semi-period measurement application, 2-239 to 2-240
- signals on separate gates application, 2-242 to 2-244
- bulletin board support, D-1
- burst trigger mode, for DAQArb 5411 devices, 2-34

## C

- Calibrate\_1200 function, 2-49 to 2-54
- Calibrate\_DSA function, 2-55 to 2-57
  - description, 2-55 to 2-56
  - performing external calibration of board, 2-56
  - performing self-calibration of board, 2-56
  - restoring factory calibration, 2-57
- Calibrate\_E\_Series function, 2-58 to 2-62
  - calibration constant loading by NI-DAQ, 2-62
  - calibration constants, 2-59
  - changing default load area, 2-60
  - description, 2-58 to 2-60
  - performing external calibration of board, 2-61
  - performing self-calibration of board, 2-60 to 2-61
- calibration functions
  - AO\_Calibrate, 2-25 to 2-26
  - Calibrate\_1200, 2-49 to 2-54
  - Calibrate\_DSA, 2-55 to 2-57
  - Calibrate\_E\_Series function, 2-58 to 2-62
  - definition, 1-13
  - LabWindows function panel tree, 1-6
  - LPM16\_Calibrate, 2-279
  - MIO\_Calibrate, 2-280 to 2-283
  - SCXI\_Cal\_Constants, 2-322 to 2-329
  - SCXI\_Calibrate\_Setup, 2-330 to 2-331
- callback function, enabling. *See* event message functions.

- channel settings. *See* analog input channel settings.
- Config\_Alarm\_Deadband function
  - description, 2-63 to 2-65
  - high alarm deadband (figure), 2-65
  - low alarm deadband (figure), 2-66
- Config\_ATrig\_Event\_Message function, 2-67 to 2-70
- Config\_DAQ\_Event\_Message function, 2-71 to 2-82
  - callback functions, 2-82
  - DAQ event messages (table), 2-74 to 2-77
  - description, 2-71 to 2-73
  - example, 2-81 to 2-82
  - usable parameters for DAQ event codes (table), 2-79
  - using the function, 2-80 to 2-82
  - valid counters and external timing signals for DAQEvent=9 (table), 2-78
- configuration functions
  - AI\_Configure, 2-6 to 2-9
  - AI\_MUX\_Config, 2-10 to 2-11
  - AO\_Configure, 2-38 to 2-41
  - Config\_Alarm\_Deadband, 2-63 to 2-66
  - Config\_ATrig\_Event\_Message, 2-67 to 2-70
  - Configure\_HW\_Analog\_Trigger, 2-83 to 2-89
  - CTR\_Config, 2-90 to 2-91
  - CTR\_FOUT\_Config, 2-96 to 2-97
  - DAQ\_Config, 2-118 to 2-120
  - DAQ\_DB\_Config, 2-121
  - DAQ\_StopTrigger\_Config, 2-140 to 2-141
  - definition, 1-13
  - DIG\_Block\_PG\_Config, 2-154 to 2-157
  - DIG\_DB\_Config, 2-158 to 2-159
  - DIG\_Grp\_Config, 2-164 to 2-165
  - DIG\_Line\_Config, 2-177
  - DIG\_Prt\_Config, 2-183 to 2-185
  - DIG\_SCAN\_Setup, 2-188 to 2-191

- DIG\_Trigger\_Config, 2-192 to 2-194
- GPCTR\_Config\_Buffer, 2-209 to 2-210
- ICTR\_Setup, 2-251 to 2-254
- LabWindows function panel tree, 1-6
- MIO\_Config, 2-284 to 2-285
- SC\_2040\_Config function, 2-292 to 2-293
- SCXI\_Configure\_Filter, 2-333 to 2-335
- SCXI\_Get\_Chassis\_Info, 2-336 to 2-337
- SCXI\_Get\_Module\_Info, 2-338 to 2-339
- SCXI\_Load\_Config, 2-344
- SCXI\_MuxCtr\_Setup, 2-347 to 2-348
- SCXI\_SCAN\_Setup, 2-355 to 2-356
- SCXI\_Set\_Config, 2-357 to 2-359
- SCXI\_Single\_Chan\_Setup, 2-366
- SCXI\_Track\_Hold\_Setup, 2-368 to 2-371
- Timeout\_Config, 2-400 to 2-401
- WFM\_DB\_Config, 2-411 to 2-412
- WFM\_Group\_Setup, 2-423 to 2-424
- Configure\_HW\_Analog\_Trigger function, 2-83 to 2-89
  - description, 2-83 to 2-87
  - ND\_ABOVE\_HIGH\_LEVEL (figure), 2-85
  - ND\_BELOW\_LOW\_LEVEL (figure), 2-85
  - ND\_HIGH\_HYSTERESIS (figure), 2-86
  - ND\_INSIDE\_REGION (figure), 2-85
  - ND\_LOW\_HYSTERESIS (figure), 2-86
    - using the function, 2-87 to 2-89
- continuous trigger mode, for DAQArb 5411 devices, 2-34
- counter/timer functions
  - 8253 counters (ICTR)
    - ICTR\_Read, 2-248 to 2-249
    - ICTR\_Reset, 2-250
    - ICTR\_Setup, 2-251 to 2-254
    - LabWindows function panel tree, 1-11 to 1-12
  - Am9513 counters (CTR)
    - CTR\_Config function, 2-90 to 2-91
    - CTR\_EvCount function, 2-92 to 2-93
    - CTR\_EvRead function, 2-94 to 2-95
    - CTR\_FOUT\_Config, 2-96 to 2-97
    - CTR\_Period function, 2-98 to 2-99
    - CTR\_Pulse function, 2-100 to 2-103
    - CTR\_Rate, 2-104 to 2-105
    - CTR\_Reset, 2-106
    - CTR\_Restart, 2-107
    - CTR\_Simul\_Op, 2-108 to 2-109
    - CTR\_Square, 2-110 to 2-112
    - CTR\_State, 2-113
    - CTR\_Stop function, 2-114
    - LabWindows function panel tree, 1-11 to 1-12
  - DAQ-STC counters (GPCTR)
    - GPCTR\_Change\_Parameter, 2-198 to 2-208
    - GPCTR\_Config\_Buffer, 2-209 to 2-210
    - GPCTR\_Control, 2-211 to 2-212
    - GPCTR\_Read\_Buffer, 2-213 to 2-214
    - GPCTR\_Set\_Application, 2-215 to 2-244
    - GPCTR\_Watch, 2-245 to 2-247
    - LabWindows function panel tree, 1-11
      - definition, 1-14
      - LabWindows function panel tree, 1-11 to 1-12
    - NI-DAQ function support (table)
      - DSA devices, C-9 to C-10
      - Lab/516/DAQCard-500/700 devices, C-7
      - MIO and AI devices, C-2 to C-3, C-4
      - PC-TIO-10 and 6602 devices, C-14 to C-15



counting and time measurement applications.

*See also* buffered counting and time measurement.

event counting application,

2-217 to 2-218

signals on two separate gates,

2-225 to 2-227

single period measurement,

2-218 to 2-220

single pulse width measurement,

2-220 to 2-223

triggered pulse width measurement,

2-223 to 2-225

customer communication, *xx*, D-1 to D-2

## D

DAQArb 5411 device settings. *See*

AO\_Change\_Parameter function.

DAQ\_Check function, 2-115 to 2-116

DAQ\_Clear function, 2-117

DAQ\_Config function, 2-118 to 2-120

DAQ\_DB\_Config function, 2-121

DAQ\_DB\_HalfReady function,

2-122 to 2-123

DAQ\_DB\_Transfer function, 2-124 to 2-125

DAQ\_Monitor function, 2-126 to 2-128

DAQ\_Op function, 2-129 to 2-131

DAQ\_Rate function, 2-132 to 2-133

DAQ\_Set\_Clock function, 2-134 to 2-135

DAQ\_Start function, 2-136 to 2-139

DAQ-STC counter functions. *See* counter/timer functions.

DAQ\_StopTrigger\_Config function,

2-140 to 2-141

DAQ\_to\_Disk function, 2-142 to 2-144

DAQ\_VScale function, 2-145 to 2-146

data acquisition functions

Configure\_HW\_Analog\_Trigger,

2-83 to 2-89

DAQ\_Check, 2-115 to 2-116

DAQ\_Clear, 2-117

DAQ\_Config, 2-118 to 2-120

DAQ\_DB\_Config, 2-121

DAQ\_DB\_HalfReady, 2-122 to 2-123

DAQ\_DB\_Transfer, 2-124 to 2-125

DAQ\_Monitor, 2-126 to 2-128

DAQ\_Op, 2-129 to 2-131

DAQ\_Rate, 2-132 to 2-133

DAQ\_Set\_Clock, 2-134 to 2-135

DAQ\_Start, 2-136 to 2-139

DAQ\_StopTrigger\_Config,

2-140 to 2-141

DAQ\_to\_Disk, 2-142 to 2-144

DAQ\_VScale, 2-145 to 2-146

Lab\_ISCAN\_Check, 2-263 to 2-265

Lab\_ISCAN\_Op, 2-266 to 2-269

Lab\_ISCAN\_Start, 2-270 to 2-273

Lab\_ISCAN\_to\_Disk, 2-274 to 2-276

Line\_Change Attribute, 2-277 to 2-278

NI-DAQ function support (table)

DSA devices, C-9

Lab/516/DAQCard-500/700 devices,  
C-6 to C-7

MIO and AI devices, C-3

SCAN\_Demux, 2-294 to 2-295

SCAN\_Op, 2-296 to 2-299

SCAN\_Sequence\_Retrieve, 2-303

SCAN\_Sequence\_Setup, 2-304 to 2-306

SCAN\_Setup, 2-307 to 2-308

SCAN\_Start, 2-309 to 2-314

SCAN\_to\_Disk, 2-315 to 2-318

Select\_Signal, 2-372 to 2-388

data types. *See* variable data types.

demultiplexing functions

SCAN\_Demux, 2-294 to 2-295

SCAN\_Sequence\_Demux,

2-300 to 2-302

device numbers, 1-1 to 1-2, 2-255 to 2-257

digital filter, 2-31

digital I/O functions

block transfer, group mode

DIG\_Block\_Check, 2-147

- DIG\_Block\_Clear, 2-148
  - DIG\_Block\_In, 2-149 to 2-151
  - DIG\_Block\_Out, 2-152 to 2-153
  - DIG\_Block\_PG\_Config, 2-154 to 2-157
  - DIG\_DB\_Config, 2-158 to 2-159
  - DIG\_DB\_HalfReady, 2-160 to 2-161
  - DIG\_DB\_Transfer, 2-162 to 2-163
  - DIG\_SCAN\_Setup, 2-188 to 2-191
  - definition, 1-13
  - DIG\_In\_Line, 2-173 to 2-174
  - DIG\_In\_Port, 2-175 to 2-176
  - DIG\_Line\_Config, 2-177
  - DIG\_Out\_Line, 2-179 to 2-180
  - DIG\_Out\_Port, 2-181 to 2-182
  - DIG\_Prt\_Config, 2-183 to 2-185
  - DIG\_Prt\_Status, 2-186 to 2-187
  - DIG\_Trigger\_Config, 2-192 to 2-194
  - group mode
    - DIG\_Grp\_Config, 2-164 to 2-165
    - DIG\_Grp\_Mode, 2-166 to 2-168
    - DIG\_Grp\_Status, 2-169 to 2-170
    - DIG\_In\_Grp, 2-171 to 2-172
    - DIG\_Out\_Grp, 2-178
    - DIG\_SCAN\_Setup, 2-188 to 2-191
  - LabWindows function panel tree, 1-9
  - NI-DAQ function support (table)
    - AT-DIO-32F, DAQDIO 6533, DIO-24, DIO-96, PC-OPDIO-16, and VXI-DIO-128 devices, C-12 to C-14
    - DSA devices, C-9
    - Lab/516/DAQCard-500/700 devices, C-7
    - MIO and AI devices, C-3 to C-4
  - DIG\_SCAN\_Setup function, 2-188 to 2-191
    - bidirectional port configuration (table), 2-189
    - digital scanning input group handshaking connections (figure), 2-190
    - digital scanning output group
      - handshaking connections (figure), 2-191
  - DIG\_Trigger\_Config function, 2-192 to 2-194
  - dithering, 2-284
  - DMA buffer. *See* Align\_DMA\_Buffer function.
  - documentation
    - about the National Instruments documentation set, *xix*
    - conventions used in manual, *xiv-xvii*
    - how to use manual set, *xiii*
    - organization of manual, *xiii-xiv*
    - related documentation, *xx*
  - double-buffered digital I/O functions
    - DIG\_DB\_Config, 2-158 to 2-159
    - DIG\_DB\_HalfReady, 2-160 to 2-161
    - DIG\_DB\_Transfer, 2-162 to 2-163
  - DSA device function support (table), C-9 to C-10
- ## E
- E series devices, signal name equivalencies (table), 2-387
  - EEPROM organization, 2-329. *See also* calibration functions.
  - e-mail support, D-2
  - event counting
    - buffered event counting application, 2-235 to 2-237
    - GPCTR\_Set\_Application function, 2-217 to 2-218
    - simple event counting (figure), 2-217
  - event message functions
    - Config\_Alarm\_Deadband, 2-63 to 2-66
    - Config\_ATrig\_Event\_Message, 2-67 to 2-70
    - Config\_DAQ\_Event\_Message, 2-71 to 2-82

definition, 1-14  
 LabWindows function panel tree, 1-12

## F

fax and telephone support, D-2  
 Fax-on-Demand support, D-2  
 FIFO transfer condition, 2-29 to 2-30  
 FIFO transfer count, 2-30 to 2-31  
 frequency shift keying, 2-234 to 2-235  
 FTP support, D-1

## G

gain adjustment. *See* offset and gain adjustment.  
 gain settings, DAQ devices (table), B-5  
 Get\_DAQ\_Device\_Info function, 2-195 to 2-196  
 Get\_NI\_DAQ\_Version function, 2-197  
 glitches, 2-28  
 GPCTR\_Change\_Parameter function, 2-198 to 2-208  
   default source selection for  
     ND\_SIMPLE\_EVENT\_CNT or  
     ND\_BUFFERED\_EVENT\_CNT  
     (table), 2-200  
   gpctrNum parameter, legal values for  
     (table), 2-199  
 ND\_AUTOINCREMENT\_COUNT, 2-206  
 ND\_BUFFER\_MODE, 2-207  
 ND\_COUNT\_1, ND\_COUNT\_2,  
   ND\_COUNT\_3, ND\_COUNT\_4,  
   2-206  
 ND\_GATE, 2-203 to 2-204  
   default gate selection (table), 2-204  
   legal values for (table), 2-203  
 ND\_GATE\_POLARITY, 2-204  
 ND\_INITIAL\_COUNT, 2-205 to 2-206  
 ND\_INPUT\_CONDITIONING,  
   2-201 to 2-203

ND\_OTHER\_GPCTR\_TC, definition of  
   other counter for (table), 2-200  
 ND\_OUTPUT\_MODE, 2-208  
 ND\_OUTPUT\_POLARITY, 2-208  
 ND\_PRESCALE\_VALUE, 2-201  
 ND\_RELOAD\_ON\_GATE, 2-204  
 ND\_SECOND\_GATE, 2-205  
 ND\_SECOND\_GATE\_POLARITY,  
   2-205  
 ND\_SOURCE, legal values for (table),  
   2-199  
 ND\_SOURCE\_POLARITY, 2-201  
 ND\_START\_TRIGGER, 2-201  
 ND\_UP\_DOWN, 2-206 to 2-207  
   hardware control, 2-207  
   software control, 2-207  
 ND\_Z\_INDEX\_PULSE, 2-204  
 GPCTR\_Config\_Buffer function,  
   2-209 to 2-210  
 GPCTR\_Control function, 2-211 to 2-212  
 GPCTR\_Read\_Buffer function,  
   2-213 to 2-214  
 GPCTR\_Set\_Application function,  
   2-215 to 2-244  
   description, 2-215  
 ND\_BUFFERED\_EVENT\_CNT  
   application, 2-235 to 2-237  
 ND\_BUFFERED\_PERIOD\_MSR  
   application, 2-237 to 2-239  
 ND\_BUFFERED\_PULSE\_WIDTH\_MS  
   R application, 2-240 to 2-241  
 ND\_BUFFERED\_SEMI\_PERIOD\_MSR  
   application, 2-239 to 2-240  
 ND\_BUFFERED\_TWO\_SIGNAL\_EDG  
   E\_SEPARATION\_MSR application,  
   2-242 to 2-245  
 ND\_FSK application, 2-234 to 2-235  
 ND\_PULSE\_TRAIN\_GNR application,  
   2-232 to 2-234  
 ND\_RETRIG\_PULSE\_GNR application,  
   2-231 to 2-232

ND\_SIMPLE\_EVENT\_CNT application,  
     2-217 to 2-218  
 ND\_SINGLE\_PERIOD\_MSR  
     application, 2-218 to 2-220  
 ND\_SINGLE\_PULSE\_GNR application,  
     2-227 to 2-229  
 ND\_SINGLE\_PULSE\_WIDTH\_MSR  
     application, 2-220 to 2-223  
 ND\_SINGLE\_TRIG\_PULSE\_GNR  
     application, 2-229 to 2-231  
 ND\_TRIG\_PULSE\_WIDTH\_MSR  
     application, 2-223 to 2-225  
 ND\_TWO\_SIGNAL\_EDGE\_SEPARATI  
     ON\_MSR application, 2-225 to 2-227  
 GPCTR\_Watch function, 2-245 to 2-247  
 grounding of DAC reference, 2-31  
 group digital I/O functions  
     DIG\_Block\_Check, 2-147  
     DIG\_Block\_Clear, 2-148  
     DIG\_Block\_In, 2-149 to 2-151  
     DIG\_Block\_Out, 2-152 to 2-153  
     DIG\_Block\_PG\_Config, 2-154 to 2-157  
     DIG\_DB\_Config, 2-158 to 2-159  
     DIG\_DB\_HalfReady, 2-160 to 2-161  
     DIG\_DB\_Transfer, 2-162 to 2-163  
     DIG\_Grp\_Config, 2-164 to 2-165  
     DIG\_Grp\_Mode, 2-166 to 2-168  
     DIG\_Grp\_Status, 2-169 to 2-170  
     DIG\_In\_Grp, 2-171 to 2-172  
     DIG\_Out\_Grp, 2-178  
     DIG\_SCAN\_Setup, 2-188 to 2-191

## H

handshaking functions  
     DIG\_Grp\_Mode, 2-166 to 2-168  
     DIG\_Grp\_Status, 2-169 to 2-170  
     DIG\_Prt\_Status, 2-186 to 2-187  
     DIG\_SCAN\_Setup, 2-188 to 2-191  
 high alarm deadband (figure), 2-65

## I

ICTR\_Read function, 2-248 to 2-249  
 ICTR\_Reset function, 2-250  
 ICTR\_Setup function, 2-251 to 2-254  
 Init\_DA\_Brds function, 2-255 to 2-262  
     default conditions for specific boards,  
         2-258 to 2-261  
     description, 2-255  
     device numbers, 2-255 to 2-257  
 initialization/utility functions  
     Align\_DMA\_Buffer, 2-22 to 2-24  
     Configure\_HW\_Analog\_Trigger,  
         2-83 to 2-89  
     definition, 1-13  
     Get\_DAQ\_Device\_Info, 2-195 to 2-196  
     Get\_NI\_DAQ\_Version, 2-197  
     Init\_DA\_Brds, 2-255 to 2-262  
     Line\_Change Attribute, 2-277 to 2-278  
     SCAN\_Sequence\_Setup, 2-304 to 2-306  
     Set\_DAQ\_Device\_Info, 2-389 to 2-399  
     Timeout\_Config, 2-400 to 2-401  
 interval counter/timer functions. *See* counter/  
 timer functions.

## L

Lab/516/DAQCard-500/700 function support  
     (table), C-6 to C-8  
 Lab\_ISCAN\_Check function, 2-263 to 2-265  
 Lab\_ISCAN\_Op function, 2-266 to 2-269  
 Lab\_ISCAN\_Start function, 2-270 to 2-273  
 Lab\_ISCAN\_to\_Disk function,  
     2-274 to 2-276  
 LabWindows function tree for data  
     acquisition, 1-6 to 1-12  
     8253 counter (ICTR) functions, 1-12  
     Am9513 counter (CTR) functions,  
         1-11 to 1-12  
     analog input functions, 1-7 to 1-8  
     analog output functions, 1-8 to 1-9  
     block transfer digital I/O functions, 1-10

- configuration and calibration functions, 1-6
- counter/timer functions, 1-11 to 1-12
- DAQ-STC counters (GPCTR), 1-11
- digital input/output functions, 1-9
- event messaging functions, 1-12
- group mode digital I/O functions, 1-10
- initialization/utilities functions, 1-6
- low-level analog input functions, 1-7 to 1-8
- low-level waveform generation functions, 1-9
- multiple-point analog input functions, 1-7
- RTSI bus functions, 1-12
- SCXI functions, 1-10 to 1-11
- single-point analog input functions, 1-7
- single-point analog output functions, 1-8
- waveform generation functions, 1-9
- Line\_Change Attribute function, 2-277 to 2-278
- low alarm deadband (figure), 2-66
- LPM16\_Calibrate function, 2-279

## M

- manual. *See* documentation.
- memory transfer width, 2-37
- Microsoft Visual Basic for Windows, 1-4 to 1-5
- MIO and AI device function support (table), C-1 to C-5
- MIO\_Calibrate function, 2-280 to 2-283
- MIO\_Config function, 2-284 to 2-285
  - dithering, 2-284
- Mode 0 through Mode 5 timing diagrams, 2-252 to 2-253
- multiple-point analog input functions
  - AI\_Read\_Scan function, 2-14
  - AI\_VRead\_Scan function, 2-19
  - Configure\_HW\_Analog\_Trigger, 2-83 to 2-89

- DAQ\_Check function, 2-115 to 2-116
- DAQ\_Clear, 2-117
- DAQ\_Config, 2-118 to 2-120
- DAQ\_DB\_Config, 2-121
- DAQ\_DB\_HalfReady, 2-122 to 2-123
- DAQ\_DB\_Transfer, 2-124 to 2-125
- DAQ\_Monitor, 2-126 to 2-128
- DAQ\_Op, 2-129 to 2-131
- DAQ\_Rate, 2-132 to 2-133
- DAQ\_Set\_Clock, 2-134 to 2-135
- DAQ\_Start, 2-136 to 2-139
- DAQ\_StopTrigger\_Config, 2-140 to 2-141
- DAQ\_to\_Disk, 2-142 to 2-144
- DAQ\_VScale, 2-145 to 2-146
- definition, 1-13
- Lab\_ISCAN\_Check, 2-263 to 2-265
- Lab\_ISCAN\_Op, 2-266 to 2-269
- Lab\_ISCAN\_Start, 2-270 to 2-273
- Lab\_ISCAN\_to\_Disk, 2-274 to 2-276
- LabWindows function panel tree, 1-7
- SCAN\_Demux, 2-294 to 2-295
- SCAN\_Op, 2-296 to 2-299
- SCAN\_Sequence\_Demux, 2-300 to 2-302
- SCAN\_Sequence\_Retrieve, 2-303
- SCAN\_Sequence\_Setup, 2-304 to 2-306
- SCAN\_Setup, 2-307 to 2-308
- SCAN\_Start, 2-309 to 2-314
- SCAN\_to\_Disk, 2-315 to 2-318
- Select\_Signal, 2-372 to 2-388
- multiplexing operations
  - AI\_MUX\_Config function, 2-10 to 2-11
  - SCXI\_MuxCtr\_Setup function, 2-347 to 2-348
  - SCXI\_Single\_Chan\_Setup function, 2-366

**N**

NI-DAQ constants include file, Microsoft Visual Basic for Windows, 1-5

**O**

offset and gain adjustment  
     gain adjustment measurement, B-7  
     offset measurement, B-7  
 output attenuation, 2-33  
 output enable setting, 2-32  
 output impedance, 2-32  
 overflow detection, 2-95

**P**

page boundaries, 2-23 to 2-24  
 PCI-MITE DMA transfers  
     enabling/disabling interrupts, 2-36  
     memory transfer width, 2-37  
 period measurement applications  
     buffered period measurement, 2-237 to 2-239  
     buffered semi-period measurement, 2-239 to 2-240  
     single period measurement, 2-218 to 2-220  
 phase locking of internal timebases, 2-35  
 PLL reference frequency, 2-35  
 Port 0 digital I/O lines reserved (table), 2-11  
 programming language considerations, 1-4 to 1-5  
 pulse generation applications  
     frequency shift keying, 2-234 to 2-235  
     retriggerable, 2-231 to 2-232  
     single pulse, 2-227 to 2-229  
     triggered, 2-229 to 2-231  
 pulse generation timing considerations, 2-102 to 2-103  
     pulse generation timing (figure), 2-102

    pulse timing for pulseWidth=0 (figure), 2-103

    pulse train generation application, 2-232 to 2-234  
 pulse width measurement applications  
     buffered pulse width, 2-240 to 2-241  
     signals on two separate gates, 2-225 to 2-227  
     single pulse width, 2-220 to 2-223  
     single triggered pulse width measurement, 2-223 to 2-225

**R**

reglitching, 2-28  
 retriggerable pulse generation application, 2-231 to 2-232  
 RTSI bus functions  
     definition, 1-14  
     LabWindows function panel tree, 1-12  
     NI-DAQ function support (table)  
         AT-AO-6/10, C-11  
         AT-DIO-32F and DAQDIO 6533, C-13 to C-14  
         MIO and AI devices, C-4  
     RTSI\_Clear, 2-286  
     RTSI\_Clock, 2-287 to 2-288  
     RTSI\_Conn, 2-289 to 2-290  
     rules for RTSI bus connections, 2-290  
     RTSI\_DisConn, 2-291  
 RTSI bus line and VXIbus trigger mapping (table), 2-387 to 2-388

**S**

SC\_2040\_Config function, 2-292 to 2-293  
 SCAN\_Demux function, 2-294 to 2-295  
 SCAN\_Op function, 2-296 to 2-299  
 SCAN\_Sequence\_Demux function, 2-300 to 2-302  
 SCAN\_Sequence\_Retrieve function, 2-303

- SCAN\_Sequence\_Setup function, 2-304 to 2-306
- SCAN\_Setup function, 2-307 to 2-308
- SCAN\_Start function, 2-309 to 2-314
- SCAN\_to\_Disk function, 2-315 to 2-318
- SCXI chassis IDs, 1-2
- SCXI functions
  - definition, 1-13
  - LabWindows function panel tree, 1-10 to 1-11
  - NI-DAQ function support (table), C-16 to C-17
- SCXI\_AO\_Write function, 2-319 to 2-321
- SCXI\_Cal\_Constants function, 2-322 to 2-329
  - analog input calibration, 2-326 to 2-328
  - analog output calibration, 2-328 to 2-329
  - EEPROM organization, 2-329
  - parameter discussion, 2-322 to 2-326
- SCXI\_Calibrate\_Setup function, 2-330 to 2-331
- SCXI\_Change\_Chan function, 2-332
- SCXI\_Configure\_Filter function, 2-333 to 2-335
- SCXI\_Get\_Chassis\_Info function, 2-336 to 2-337
- SCXI\_Get\_Module\_Info function, 2-338 to 2-339
- SCXI\_Get\_State function, 2-340 to 2-341
- SCXI\_Get\_Status function, 2-342 to 2-343
- SCXI\_Load\_Config function, 2-344
- SCXI\_ModuleID\_Read function, 2-345 to 2-346
- SCXI\_MuxCtr\_Setup function, 2-347 to 2-348
- SCXI\_Reset function, 2-349 to 2-351
- SCXI\_Scale function, 2-352 to 2-354
- SCXI\_SCAN\_Setup function, 2-355 to 2-356
- SCXI\_Set\_Config function, 2-357 to 2-359
- SCXI\_Set\_Filter function. *See* SCXI\_Configure\_Filter function.
- SCXI\_Set\_Gain function, 2-360
- SCXI\_Set\_Input\_Mode function, 2-361
- SCXI\_Set\_State function, 2-362 to 2-363
- SCXI\_Set\_Threshold function, 2-364 to 2-365
- SCXI\_Single\_Chan\_Setup function, 2-366
- SCXI\_Track\_Hold\_Control function, 2-367
- SCXI\_Track\_Hold\_Setup function, 2-368 to 2-371
- Select\_Signal function, 2-372 to 2-388
  - 6602 device parameters, 2-385 to 2-386
  - E Series, DAQArb 5411, and DSA parameters, 2-372 to 2-384
  - E series signal name equivalencies (table), 2-387
- ND\_BOARD\_CLOCK signal
  - definition (table), 2-375
  - purpose and use, 2-384
- ND\_FREQ\_OUT signal
  - definition (table), 2-374
  - purpose and use, 2-382
- ND\_GPCTR0\_OUTPUT signal
  - definition (table), 2-374
  - purpose and use, 2-381
- ND\_GPCTR1\_OUTPUT signal
  - definition (table), 2-374
  - purpose and use, 2-381 to 2-382
- ND\_IN\_CHANNEL\_CLOCK\_TIMEBASE SE signal
  - definition (table), 2-374
  - purpose and use, 2-378
- ND\_IN\_CONVERT signal
  - definition (table), 2-374
  - purpose and use, 2-377
- ND\_IN\_EXTERNAL\_GATE signal
  - definition (table), 2-374
  - purpose and use, 2-376
- ND\_IN\_SCAN\_CLOCK\_TIMEBASE signal
  - definition (table), 2-374
  - purpose and use, 2-378

- ND\_IN\_SCAN\_START signal
  - definition (table), 2-374
  - purpose and use, 2-376 to 2-377
- ND\_IN\_START\_TRIGGER signal
  - definition (table), 2-374
  - purpose and use, 2-375
- ND\_IN\_STOP\_TRIGGER signal
  - definition (table), 2-374
  - purpose and use, 2-376
- ND\_OUT\_EXTERNAL\_GATE signal
  - definition (table), 2-374
  - purpose and use, 2-379 to 2-380
- ND\_OUT\_START\_TRIGGER signal
  - definition (table), 2-374
  - purpose and use, 2-378 to 2-379
- ND\_OUT\_UPDATE signal
  - definition (table), 2-374
  - purpose and use, 2-379
- ND\_OUT\_UPDATE\_CLOCK\_TIMEBASE signal
  - definition (table), 2-374
  - purpose and use, 2-380
- ND\_PFI\_0 through ND\_PFI\_9 signals
  - definition (table), 2-374
  - purpose and use, 2-380 to 2-381
- ND\_PLL\_REF\_SOURCE signal
  - definition (table), 2-374
  - purpose and use, 2-384
- ND\_RTSI\_0 through ND\_RTSI\_6 signals
  - definition (table), 2-375
  - purpose and use, 2-382 to 2-383
- ND\_RTSI\_CLOCK signal
  - definition (table), 2-375
  - purpose and use, 2-383 to 2-384
- RTSI bus line and VXIbus trigger mapping (table), 2-387 to 2-388
- special considerations when source = ND\_CONVERT, 2-384
- using the function, 2-386
- Set\_DAQ\_Device\_Info function, 2-389 to 2-399
  - data transfer modes, for supported devices (table), 2-393 to 2-398
  - infoValue parameters (table), 2-391 to 2-392
  - intoType parameters (table), 2-390 to 2-391
  - using the function, 2-392 to 2-399
- signal name equivalencies, E series (table), 2-387
- single period measurement application, 2-218 to 2-220
- single pulse generation application, 2-227 to 2-229
- single pulse width measurement application, 2-220 to 2-223
- single trigger mode, for DAQArb 5411 devices, 2-34
- single triggered pulse generation application, 2-229 to 2-231
- single triggered pulse width measurement application, 2-223 to 2-225
- single-point analog input functions
  - AI\_Change\_Parameter, 2-1 to 2-2
  - AI\_Check, 2-3 to 2-4
  - AI\_Clear, 2-5
  - AI\_Configure, 2-6 to 2-9
  - AI\_Read, 2-12 to 2-13
  - AI\_Setup, 2-15 to 2-16
  - AI\_VRead, 2-17 to 2-18
  - AI\_VScale, 2-20 to 2-21
  - definition, 1-13
  - LabWindows function panel tree, 1-7
- single-point analog output functions
  - AO\_Calibrate, 2-25 to 2-26
  - AO\_Change\_Parameter, 2-27 to 2-37
  - AO\_Configure, 2-38 to 2-41
  - AO\_Update, 2-42
  - AO\_VScale, 2-43 to 2-44
  - AO\_VWrite, 2-45 to 2-46
  - AO\_Write, 2-47 to 2-48
  - LabWindows function panel tree, 1-8



square wave generation timing considerations,  
2-112

status codes, 1-1 to 1-2  
format, 1-1  
status values (table), 1-1  
summary of codes, A-1 to A-23

stepped trigger mode, for DAQArb 5411  
devices, 2-34

SYNC duty cycle, 2-35 to 2-36

## T

technical support, D-1 to D-2

telephone and fax support, D-2

Timeout\_Config function, 2-400 to 2-401

timing diagrams, Mode 0 through Mode 5,  
2-252 to 2-253

timing signal name equivalencies, E series  
(table), 2-387

trigger functions  
Config\_ATrig\_Event\_Message,  
2-67 to 2-70  
Configure\_HW\_Analog\_Trigger,  
2-83 to 2-89  
DAQ\_StopTrigger\_Config,  
2-140 to 2-141

trigger generation  
ND\_ABOVE\_HIGH\_LEVEL signal  
(figure), 2-85  
ND\_BELOW\_LOW\_LEVEL signal  
(figure), 2-85  
ND\_HIGH\_HYSTERESIS signal  
(figure), 2-86  
ND\_INSIDE\_REGION signal (figure),  
2-85  
ND\_LOW\_HYSTERESIS signal  
(figure), 2-86

trigger modes, for DAQArb 5411 devices,  
2-34 to 2-35

triggered pulse generation application,  
2-229 to 2-231

triggered pulse width measurement  
applications, 2-223 to 2-225

## V

variable data types, 1-2 to 1-4  
arrays, 1-3  
multiple types, 1-3 to 1-4  
primary type names (table), 1-3 to 1-4

Visual Basic for Windows, 1-4 to 1-5

voltage calculation, B-5 to B-6

voltage or current output parameters,  
2-28 to 2-29

VXIbus trigger mapping (table),  
2-387 to 2-388

## W

waveform generation functions  
definition, 1-13  
LabWindows function panel tree, 1-9  
NI-DAQ function support (table)  
DAQArb, AO-2DC, AT-AO-6/10,  
and VXI-AO-48XDC devices,  
C-11 to C-12  
DSA devices, C-10  
Lab/516/DAQCard-500/700 devices,  
C-8  
MIO and AI devices, C-5

WFM\_Chan\_Control function, 2-402 to 2-403

WFM\_Check function, 2-404 to 2-405

WFM\_ClockRate function, 2-406 to 2-410

WFM\_DB\_Config function, 2-411 to 2-412

WFM\_DB\_HalfReady function,  
2-413 to 2-414

WFM\_DB\_Transfer function, 2-415 to 2-416

WFM\_from\_Disk, 2-417 to 2-419

WFM\_Group\_Control function,  
2-420 to 2-422

WFM\_Group\_Setup function, 2-423 to 2-424

WFM\_Load function, 2-425 to 2-433

ARB mode, 2-431 to 2-432  
data ranges for buffer parameter, DAQArb  
5411 devices (table), 2-426  
DDS mode, 2-430 to 2-431  
mode values for DAQArb 5411 devices  
count parameter (table), 2-427  
iterations parameter (table), 2-428  
using the function, 2-432 to 2-433  
WFM\_Op, 2-434 to 2-436  
WFM\_Rate function, 2-437 to 2-438  
WFM\_Scale function, 2-439 to 2-440  
WFM\_Set\_Clock function, 2-441 to 2-442

## Free Manuals Download Website

<http://myh66.com>

<http://usermanuals.us>

<http://www.somanuals.com>

<http://www.4manuals.cc>

<http://www.manual-lib.com>

<http://www.404manual.com>

<http://www.luxmanual.com>

<http://aubethermostatmanual.com>

Golf course search by state

<http://golfingnear.com>

Email search by domain

<http://emailbydomain.com>

Auto manuals search

<http://auto.somanuals.com>

TV manuals search

<http://tv.somanuals.com>