

Getting Started!

Follow these steps to become familiar with your server documentation and to complete your installation successfully.

NEC Express5800/120Rj-2

NEC

12-2007, Rev.00

Safety Precautions

Follow the instructions for your safety to use the NEC Express5800 server.

WARNING LABELS

The warning labels are attached to components with possible danger or their vicinity in your server to inform the user that a hazardous situation may arise when operating the server. (Do not intentionally remove or damage any of the labels.) If you find any labels totally/partially removed or illegible due to damage, contact your service representative.

SAFETY NOTES

Read the following instructions carefully to ensure proper and safe use of the server (Refer to Chapter 1 of your User's Guide for detail).



Warning

Failure to heed this sign could result in serious injury or death.

- Do not use the server for services where critical high availability may directly affect human lives.
- Do not use the server if any smoke, odor, or noise is present.
- Keep needles or metal objects away from the server.
- Do not use the server in any unapproved place.
- Always install the server on a rack conforming to the relevant standard.
- Do not hold the power plug with a wet hand.
- Do not connect the ground wire to a gas pipe.
- Disconnect the power cord(s) before installing or removing the server.
- Do not disassemble, repair, or alter the server.
- Do not remove the lithium battery.
- Disconnect all the power plug before accessing inside the server, or connecting the peripherals.



Caution

Failure to heed this sign could result in personal injury or damage to properties.

- Keep water or foreign matter away from the server.
- Plug into a proper power source.
- Do not connect the power cord to an outlet that has an illegal number of connections.
- Insert the power plug into the outlet as far as it goes.
- Use the authorized power cord only.
- Do not use the attached power cord for any other devices or usage.
- Never attempt to lift the server only by yourself.
- Do not install the server in any place other than specified.
- Do not install the server on a rack with leaving covers removed.
- Do not pinch your finger with rails or other components.
- Do not apply any load on the server pulled out from the rack.
- Do not connect any interface cable when the power cord of the server is plugged into a power source.
- Do not use any unauthorized interface cable.
- Avoid installation in extreme temperature conditions.
- Make sure of complete board installation.
- Do not touch any electrical components inside the server during the hot-swap replacement.
- Do not pull out or remove the server from the rack unnecessarily.
- Do not touch the fan blades when moving.
- Avoid contact with the server during thunderstorms.
- Keep animals away from the server.
- Do not place any object on top of the server.
- Do not remove the cooling fans.

Checking the Accessory Box

The accessory box contains:

- Server
- Front bezel
- Security key
- Branch cable (PS/2)
- Power cord
- Power relay cable
- IDE cable
- Screws of internal backup device (4 pcs.)
- NEC EXPRESSBUILDER DVD containing the setup utility and system documentation
- DianaScope Additional Server License(1) (License of DianaScope)
- Getting Started! (Chinese version)
- Getting Started! (English version : this guide)

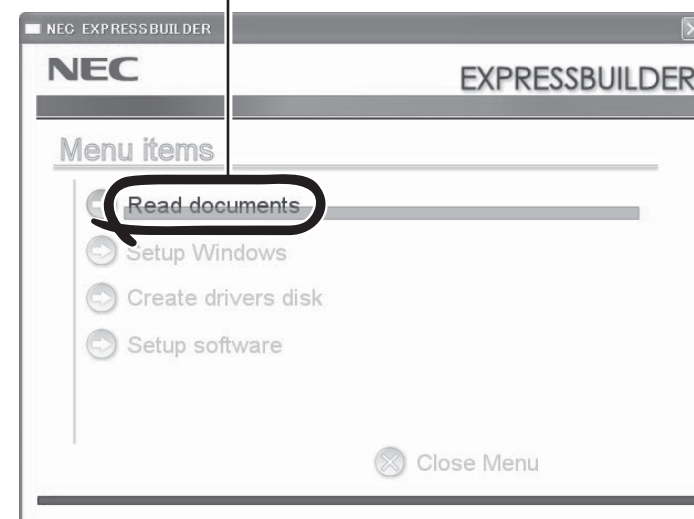
Save the packing material and carton box in case you ever need to repack and move the server to another location.

Your System Documentation

To read and print the User's Guide, insert NEC EXPRESSBUILDER DVD into the CD-R/DVD-ROM drive on a system running Microsoft® Windows® (Windows 95 or later, Windows NT 4.0 or later).

Use Adobe® Reader to read and print the documents. If you do not have it, install it from Adobe's internet site.

Click here to view or print User's Guide and other documents.



Installing the Server

Follow the Chapter 3 in your User's Guide to install your server.

WARNING:

Anchor the Rack Cabinet. The rack cabinet must be anchored to an unmovable support or a front stabilizer to prevent it from falling over when one or more units are extended in front of it on slide assemblies. The anchors must be able to withstand a force of up to 113 kg (250 lbs.). You must also consider the weight of any other device installed in the rack.

Avoid Injury.

- It is required that two people are present when lifting and assembling the server into a rack cabinet.
- When installing the rack door, make sure that hinge pins at top and bottom of the door are completely inserted into the rack. Failure to follow this instruction may cause the door to fall to be broken and/or to result in personal injury.

Restricted Access Location

The server is intended for installation in a restricted access location, mounted above a non-combustible material.

Before you begin the rack installation review the following guidelines.

Do Not:

- Locate a rack in a narrow space that would inhibit devices from being pulled out from the rack completely.
- Locate the rack on a floor that cannot bear the total weight of the rack and devices mounted in the rack.
- Locate the rack in a place where stabilizers cannot be installed or where the rack can be installed only after proper earthquake-resistant is constructed.
- Locate the rack on an uneven or slanting floor
- Locate the rack in an area that has drastic temperature change (near a heater, air conditioner, or refrigerator).
- Locate the rack where intense vibration may be generated.

Installing Hard Disk Drives

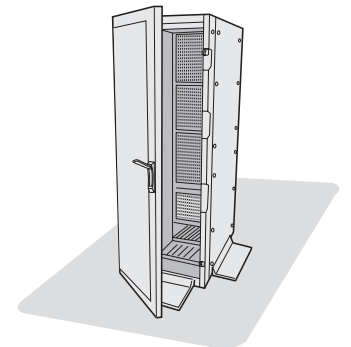
Your server does not contain any hard disk drives. Follow these steps to install the hard disk drive.

If you have additional adapter boards and devices for your server, install them before putting the server in the location you have selected. Follow procedures in Chapter 9 of your User's Guide, plus installation inserts and vendor documents that come with the option.

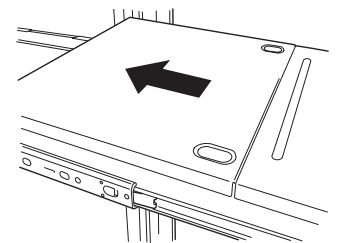
- **To order a disk, contact your sales representative or dealer.**

- Locate the rack where corrosive gas is generated, (ex. the area, where the vapor of sulphur is generated) chemicals are nearby, or chemicals may be sprayed accidentally.
- Place the rack on a carpet not subject to the anti-static process.
- Locate the rack where some objects may fall on the rack.
- Locate the rack near a device that is generating intense magnetic fields (such as a TV, radio, broadcast/communication antenna, power transmission wire, and electromagnetic crane.) If unavoidable, contact your service representative to request proper shielding.)
- Locate the rack where the power cord of the server must be connected to an AC outlet that shares other devices with large power consumption.
- Locate the rack next to equipment that generates power noise (e.g., contact spark at power-on/power-off of commercial power supply through a relay). If you must install the server close to such equipment, request your service representative for separate power cabling or noise filter installation.

1. Install the rack cabinet.



2. Install the server.



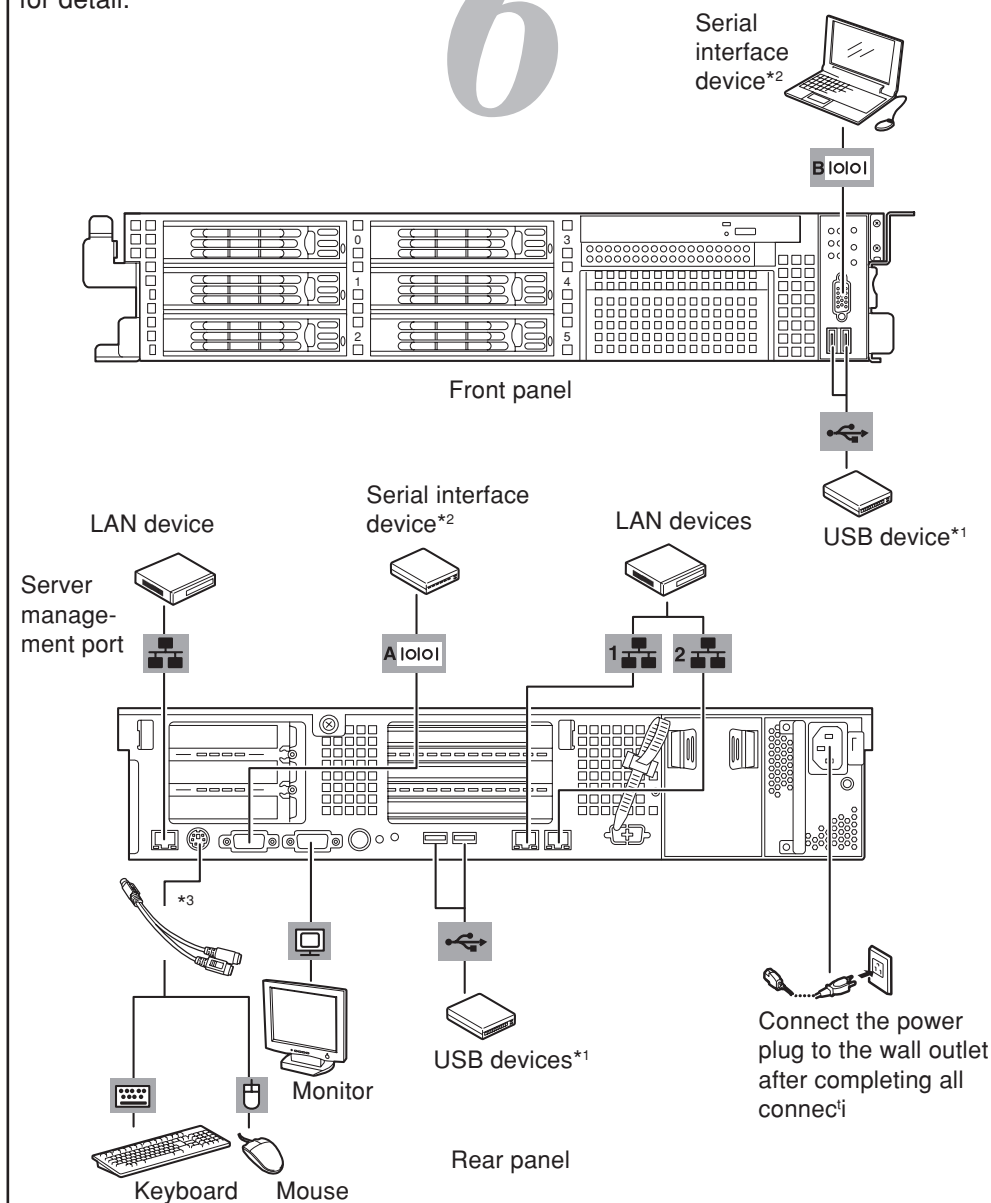
- **Electrostatic discharge (ESD) can damage disk drives, boards, and other parts. This system can withstand normal levels of environmental ESD while you are installing hard disk drives. However, we recommend that you do all procedures in this instruction only at an ESD workstation or provide some ESD protection by wearing an antistatic wrist strap attached to chassis ground – any unpainted metal surface – on your system when handling parts.**

See the back side to continue the setting up.



Connecting the Peripherals

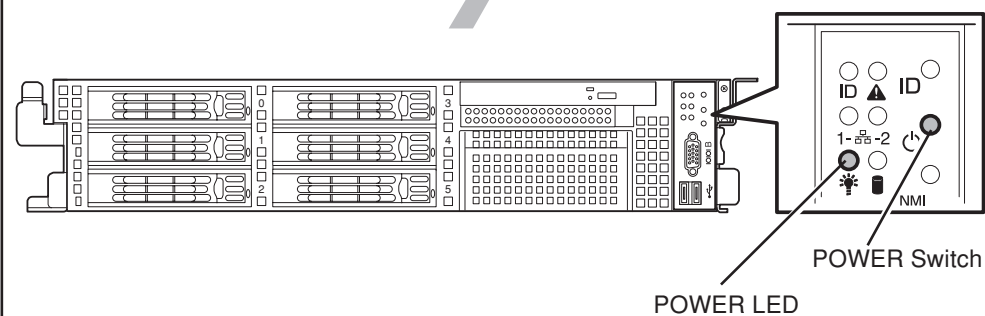
Connect the peripherals with the server. Refer to Chapter 3 of your User's Guide for detail.



- *1 Any USB keyboard and mouse are not supported.
- *2 For console of a management PC only.
- *3 Use the provided branch cable.
- *4 Connect the power cord(s) to a circuit breaker of 15 A or less.

Turning on the Server

Press the POWER switch on the front of the server to power-up the server. If your server does not include Network Operating System (NOS) software, use the DOS diskettes to boot-up the prompts indicating your system is operational.



Configuring the Server

Configure the server with the BIOS Setup Utility and RAID Configuration Utilities. Refer to Chapter 4 of your User's Guide for detail.

BIOS Setup Utility

The BIOS Setup Utility is used to change system configuration parameters. The utility is resident in the system FLASH memory and does not require a diskette or an operating system present to run. You access the BIOS Setup utility when you turn on or reboot your system. To run the BIOS Setup Utility, perform the following procedure:

1. Power-on or reboot the system. "Press <F2> to enter SETUP" displays.

NOTE: It might be displayed with another message. The message depends on the configuration of your server.

Press <F2> to enter SETUP, <F12> to Network

2. Press F2. The BIOS Setup Utility starts and the Main Menu is displayed.

RAID Configuration Utility

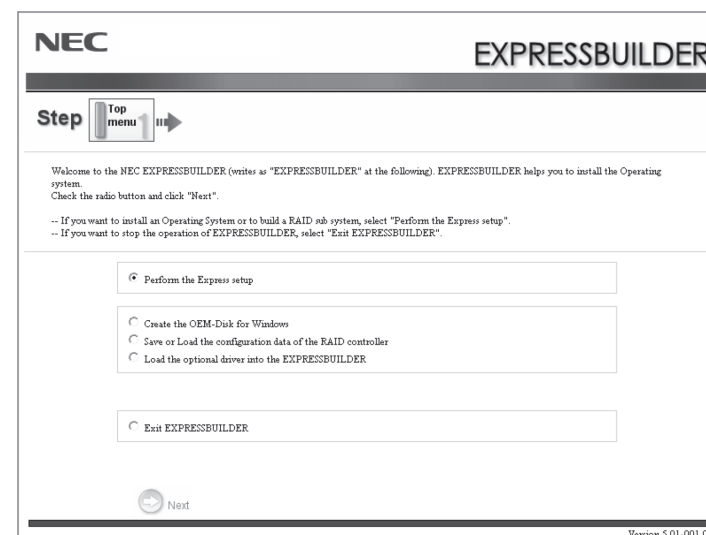
Your mother board includes the RAID (Redundant Array of Inexpensive Devices) controller (RoMB). Changing the RAID level on servers that include a preloaded Network operating System (NOS) will require reloading the NOS. Refer to Chapter 4 of your User's Guide for running the configuration utility.

Additional Adapter Board BIOS Utilities

If you have additional adapter boards, install them and configure the adapter boards. Follow the procedures in Chapter 9 of your User's Guide and vendor documents that come with the option.

Running the NEC EXPRESSBUILDER DVD

- Run the NEC EXPRESSBUILDER DVD to:
 - Run the maintenance utilities.
 - Install the Network Operating System (NOS) with "Express Setup".
 - Create driver diskettes, BIOS update diskettes and so on.
- To run the NEC EXPRESSBUILDER DVD, insert the DVD-ROM into the DVD-ROM device, reboot the system and follow the screen prompts. Refer to Installing the Operating System with Express Setup in your User's Guide for detail.

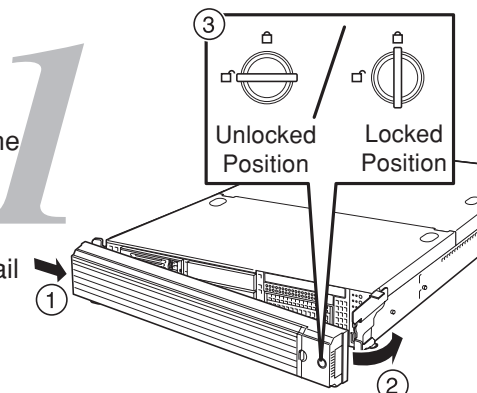


Installing Application Software

- Insert the NEC EXPRESSBUILDER DVD into the CD/DVD-ROM drive on a system running Microsoft Windows (Windows 95 or later, Windows NT 4.0 or later). The Master Control Menu appears automatically.
- Use this menu to:
- Read the documents.
 - Install the management software.
- Refer to Chapter 6 of your User's Guide for detail.

Installing Front Bezel

To help prevent unauthorized system entry or use, the system includes full lockable front bezel. The bezel provides access to the front panel switches, the front panel USB and serial port, the hot-swap drive bays, and the hot-swap power supplies. Refer to Chapter 2 of User's Guide for detail instruction



Your server installation is now complete.

FCC STATEMENT:

This equipment has been tested and found to comply with the limits for a Class A digital device, pursuant to Part 15 of the FCC Rules. These limits are designed to provide reasonable protection against harmful interference when the equipment is operated in a commercial environment. This equipment generates, uses, and can radiate radio frequency energy and, if not installed and used in accordance with the instruction manual, may cause harmful interference to radio communications. Operation of this equipment in a residential area is likely to cause harmful interference in which case the user will be required to correct the interference at his own expense.

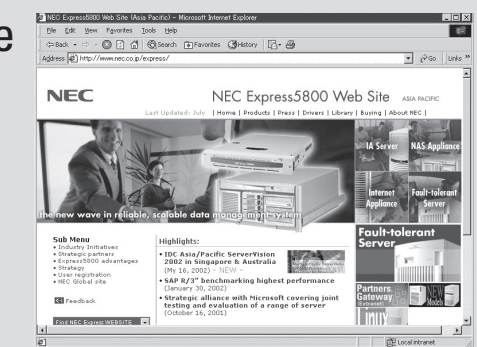
CE STATEMENT:

Warning: This is a Class A product. In domestic environment this product may cause radio interference in which case the user may be required to take adequate measures (EN55022).

BSMI STATEMENT:

警告使用者：
這是甲類的資訊產品，在居住的環境中使用時，可能會造成射頻干擾，在這種情況下，使用者會被要求採取某些適當的對策。

NEC Express5800 Web Site
<http://www.nec.co.jp/express/>



Trademarks

EXPRESSBUILDER is trademarks of NEC Corporation. Microsoft and Windows are registered trademarks of Microsoft Corporation in the United States and other countries.

Adobe, Adobe logo, and Adobe Reader are trademarks of Adobe Systems Incorporated.

All other product, brand, or company names used in this publication are the trademarks or registered trademarks of their respective holders.

To allow for design and specification improvements, the information in this document is subject to change at any time, without notice. Reproduction of this document or portions thereof without prior written approval of NEC is prohibited.

Recycled paper is used.

Copyright © 2007 NEC Corporation

Free Manuals Download Website

<http://myh66.com>

<http://usermanuals.us>

<http://www.somanuals.com>

<http://www.4manuals.cc>

<http://www.manual-lib.com>

<http://www.404manual.com>

<http://www.luxmanual.com>

<http://aubethermostatmanual.com>

Golf course search by state

<http://golfingnear.com>

Email search by domain

<http://emailbydomain.com>

Auto manuals search

<http://auto.somanuals.com>

TV manuals search

<http://tv.somanuals.com>