

Contents

1 Model Name

SP-P42C1

2 Applicable Monitor

P42XC10

3 Regulations

UL60065 7th:2003 , CAN/CSA-C22.2 No.60065:03

IEC60065:2001, EN60065:2002

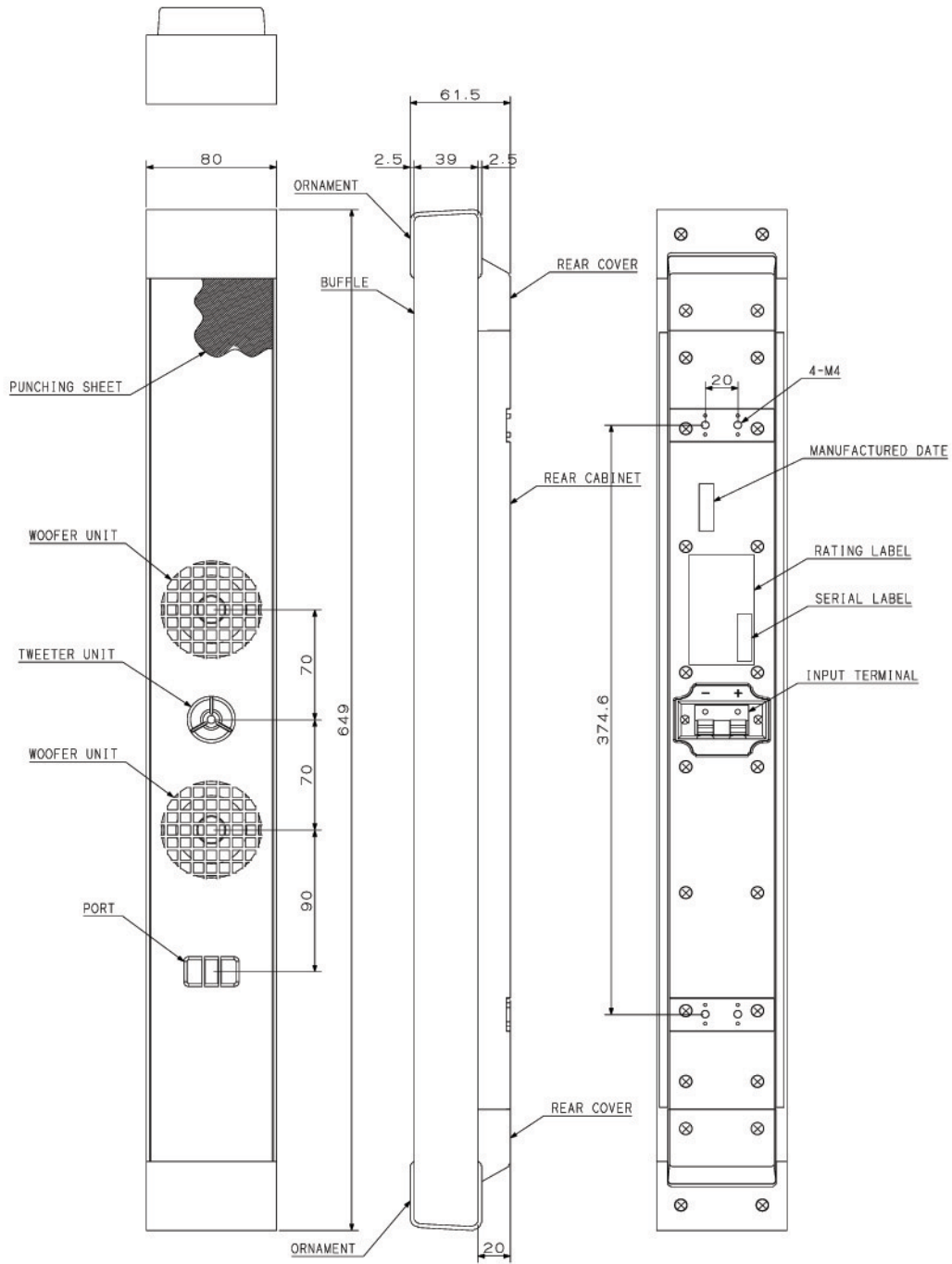
4 Speaker Spec

| | | |
|------|------------------------------|---|
| 4-1 | System | Bass Reflex |
| 4-2 | Impedance | |
| | Rated Impedance | 8 ohms |
| | Minimum Impedance | 6.9 ohms (at 20 to 20000 Hz) |
| 4-3 | Rated Input | 15W |
| 4-4 | Maximum Input | 40W |
| 4-5 | Sound Pressure Level | 82dB (1m, 1W) |
| 4-6 | Rated Frequency Range | 85Hz to 35000Hz |
| 4-7 | Crossover Frequency | 6000Hz |
| 4-8 | Dimensions (W x H x D, each) | 80mm x 649mm x 59mm / 3.27" x 25.55" x 2.32" (except Holder) |
| 4-9 | Net Weight (each) | 1.8 kg / 3.97 lbs |
| 4-10 | Material and Color | |
| | Baffle | PC+ABS, Matte Real Black paint (SB050) (PANETONE Hexachrome Black C) |
| | Rear Cabinet | PC+ABS, Matte Real Black paint (SB050) (PANETONE Hexachrome Black C) |
| | Rear Cover | PC+ABS, Matte Real Black paint (SB050) (PANETONE Hexachrome Black C) |
| | Punching Net | PBT sheet, Matte Real Black paint (SB050) (PANETONE Hexachrome Black C) |
| | Holder | Steel, Black paint |
| | Ornament | ABS, Silver painting |
| 4-11 | Packing | |
| | Dimensions (W x H x D) | 260mm x 720mm x 203mm / 10.24" x 28.35" x 7.99" |
| | Gross Weight | 5.3 kg / 11.68 lbs |
| | Maximum Stacking | 10 Layers |

5 Environmental Condition

| | |
|-----------|---|
| Operation | 0°C to 40°C / 32F to 104F, 20%RH to 80%RH |
| Storage | -10°C to 50°C / 14F to 122F, 10%RH to 90%RH |

11 Outline Drawing (unit: mm)



Free Manuals Download Website

<http://myh66.com>

<http://usermanuals.us>

<http://www.somanuals.com>

<http://www.4manuals.cc>

<http://www.manual-lib.com>

<http://www.404manual.com>

<http://www.luxmanual.com>

<http://aubethermostatmanual.com>

Golf course search by state

<http://golfingnear.com>

Email search by domain

<http://emailbydomain.com>

Auto manuals search

<http://auto.somanuals.com>

TV manuals search

<http://tv.somanuals.com>