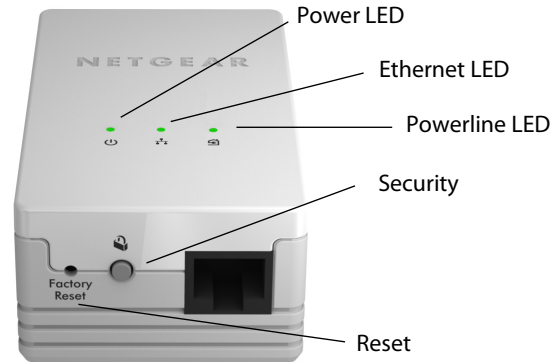





## LED and Button Descriptions



Item	Description
Power LED 	<ul style="list-style-type: none"> <li>• <b>Solid green.</b> The electrical power is on.</li> <li>• <b>Solid amber.</b> The adapter is in power saving mode.</li> <li>• <b>Blinking green.</b> The adapter is in the process of setting up security.</li> <li>• <b>Off.</b> There is no electrical power.</li> </ul>
Ethernet LED 	<ul style="list-style-type: none"> <li>• <b>Solid.</b> The Ethernet port is linked.</li> <li>• <b>Off.</b> There is no Ethernet connection.</li> </ul>

Item	Description			
Powerline LED 	<ul style="list-style-type: none"> <li>• <b>Solid.</b> The adapter is connected to a Powerline network.</li> <li>• <b>Off.</b> The adapter has not found any other compatible Powerline devices using the same encryption key.</li> </ul> <p>The <b>Pick A Plug</b> feature lets you pick the electrical outlet with the strongest link rate, indicated by the color displayed by the LED:</p> <table border="1"> <tr> <td><b>Green:</b> Link rate &gt; 80 Mbps (Best)</td> <td><b>Amber:</b> Link rate &gt; 50 and &lt; 80 Mbps (Better)</td> <td><b>Red:</b> Link rate &lt; 50 Mbps (Good)</td> </tr> </table>	<b>Green:</b> Link rate > 80 Mbps (Best)	<b>Amber:</b> Link rate > 50 and < 80 Mbps (Better)	<b>Red:</b> Link rate < 50 Mbps (Good)
<b>Green:</b> Link rate > 80 Mbps (Best)	<b>Amber:</b> Link rate > 50 and < 80 Mbps (Better)	<b>Red:</b> Link rate < 50 Mbps (Good)		
Factory Reset	Press the <b>Reset</b> button for 1 second, then release it to return the Powerline adapter to its factory default settings.			
Security Button	<p>After you plug in your new AV adapter, press the <b>Security</b> button for 2 seconds, then press the security button on one of the other AV adapters in your existing network for 2 seconds. Both buttons must be pressed within 2 minutes.</p> <p><b>Note:</b> The <b>Security</b> button does not work in power saving mode (see "Power LED is blinking once every 3 seconds" in the "Troubleshooting Tips" table below).</p>			

**Warning:** Do not press the **Security** button on the Powerline adapter until installation is complete and the adapters are communicating with each other (indicated by the blinking Powerline LED). Pressing this button too soon can temporarily disable Powerline communication. If this should occur, use the **Factory Reset** button to return the Powerline adapter to its factory default settings.

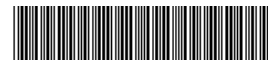
## Troubleshooting Tips

Power LED is off	Make sure that power is supplied to the electrical outlet, and that the Powerline devices are not plugged into an extension cord, power strip, or surge protector.
Power LED is amber	Power saving mode occurs when the Ethernet LED is off. This can occur when: <ul style="list-style-type: none"> <li>• The Ethernet cable is unplugged.</li> <li>• The device connected through the Ethernet cable is turned off.</li> <li>• The adapter is idle for 10 minutes.</li> </ul> It returns to normal mode within 2 seconds once the Ethernet link is up.
Powerline LED is off	<ul style="list-style-type: none"> <li>• If you have set network security, make sure that all Power line devices are using the same encryption key; see the online <i>User Manual</i> for details.</li> <li>• Press the <b>Reset</b> button on each device for 1 second to return the Powerline adapter to its factory default settings.</li> </ul>
Powerline LED is amber or red	Move the Powerline device to a closer location.
Ethernet LED is off	<ul style="list-style-type: none"> <li>• Make sure that the Ethernet cables are working and securely plugged into the devices.</li> <li>• Press the <b>Reset</b> button on each device for 1 second to return the Powerline adapter to its factory default settings.</li> </ul>



This symbol was placed in accordance with the European Union Directive 2002/96 on the Waste Electrical and Electronic Equipment (the WEEE Directive). If disposed of within the European Union, this product should be treated and recycled in accordance with the laws of your jurisdiction implementing the WEEE Directive.

NETGEAR, the NETGEAR logo, and Connect with Innovation are trademarks and/or registered trademarks of NETGEAR, Inc. in the United States and/or other countries. Information is subject to change without notice. Other brand and product names are trademarks or registered trademarks of their respective holders. ©2011 by NETGEAR, Inc. All rights reserved.



201-13939-02



June 2011

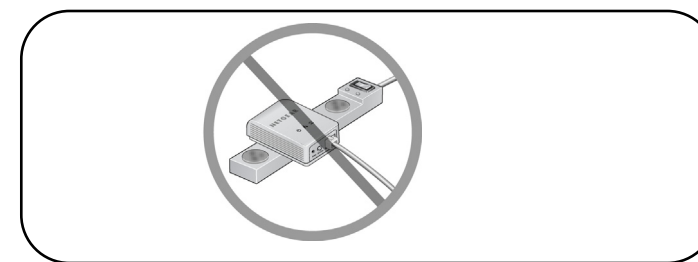
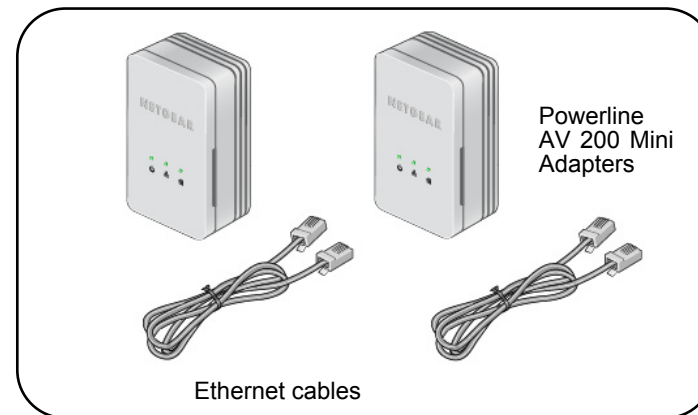
# NETGEAR®

Installation Guide

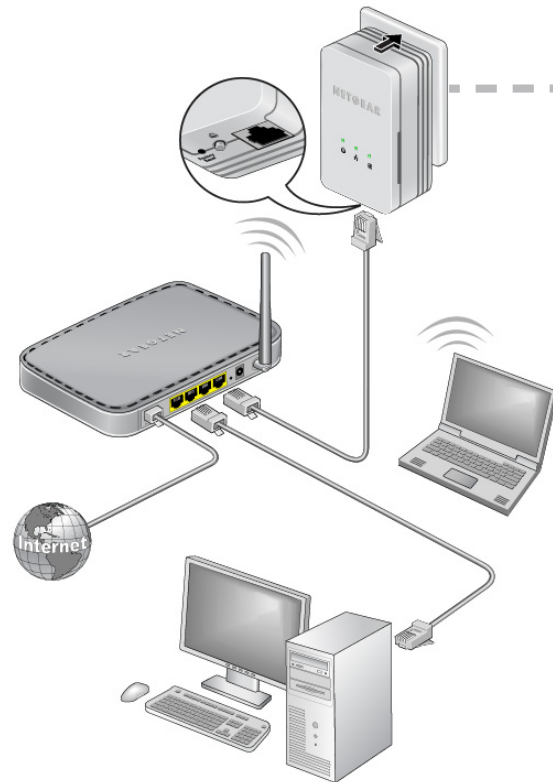
Connect with Innovation™

## Powerline AV 200 Mini Set XAVB1301

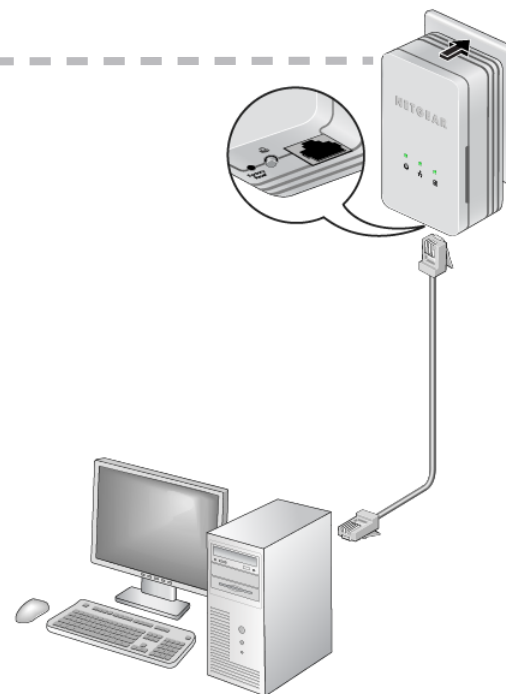
### Package Contents



## Room 1



## Room 2



Compatible Powerline and HomePlug AV certified devices include the NETGEAR XAV101, XAV1004, XAV2001, XAV2501, and XAVN2001. For a complete list of AV certified devices, go to [http://www.homeplug.org/certified\\_products](http://www.homeplug.org/certified_products)

## Safety Information

- AC input: 100-240V~, 60m A (Max).
- Operating temperature: 0C~35C.
- The socket-outlet shall be installed near the equipment and shall be easily accessible.

## Technical Support

Thank you for selecting NETGEAR products. After installing your device, locate the serial number on the label of your product and use it to register your product at <http://www.NETGEAR.com/register>. Registration is required before you can use our telephone support service. Registration via our website is strongly recommended.

To access the XAV1301 Powerline utility, go to [http://support.netgear.com/app/answers/detail/a\\_id/17427](http://support.netgear.com/app/answers/detail/a_id/17427)

To register your product, get the latest product updates, or get support online, visit us at <http://support.netgear.com>.

Phone (US & Canada only): 1-888-NETGEAR

Phone (Other Countries):

See [http://support.netgear.com/app/answers/detail/a\\_id/984](http://support.netgear.com/app/answers/detail/a_id/984).

GPL may be included with this product; go to <ftp://downloads.netgear.com/files/GPLnotice.pdf> to view the GPL license agreement.

For complete DoC, please visit the NETGEAR EU Declarations of Conformity website at: [http://support.netgear.com/app/answers/detail/a\\_id/11621](http://support.netgear.com/app/answers/detail/a_id/11621).

## Free Manuals Download Website

<http://myh66.com>

<http://usermanuals.us>

<http://www.somanuals.com>

<http://www.4manuals.cc>

<http://www.manual-lib.com>

<http://www.404manual.com>

<http://www.luxmanual.com>

<http://aubethermostatmanual.com>

Golf course search by state

<http://golfingnear.com>

Email search by domain

<http://emailbydomain.com>

Auto manuals search

<http://auto.somanuals.com>

TV manuals search

<http://tv.somanuals.com>