

# Start Here

Follow these instructions to set up your router.

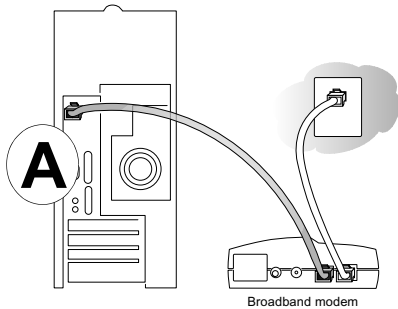
## Verify That Basic Requirements Are Met

Assure that the following requirements are met:

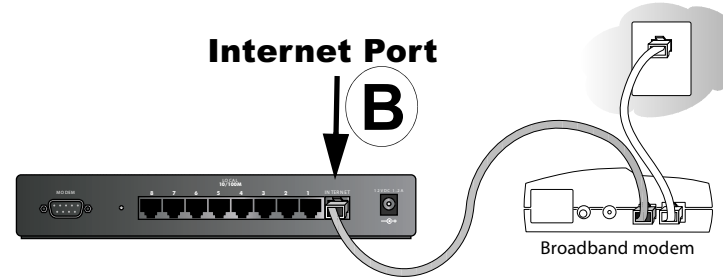
- You have your broadband Internet service settings handy.
- The computer is configured to obtain an IP address automatically via DHCP. For instructions on how to do this, please see the *Reference Manual on the Model FVS328 Resource CD*.

### 1. CONNECT THE FIREWALL

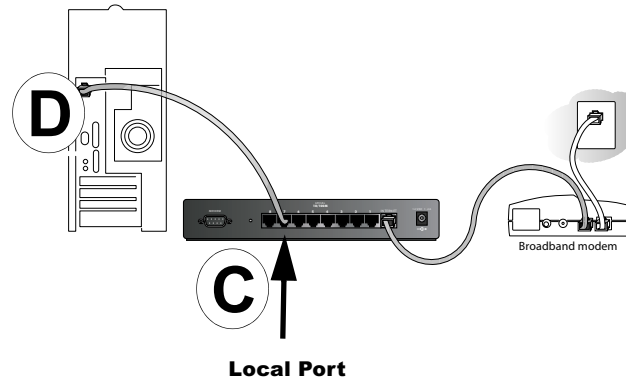
- Turn off your computer and cable or DSL modem.
- Disconnect the Ethernet cable (A) which connects from your computer to the broadband modem.



- Securely insert the Ethernet cable from your broadband modem into the Internet port (B) on the FVS328.



- Securely insert one end of the Ethernet cable that came with your firewall into a LAN port on the router such as LAN port 7 (C), and the other end into the Ethernet port of your computer (D).



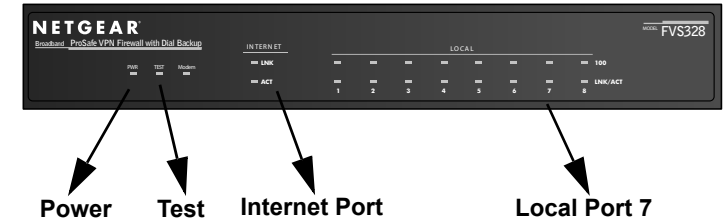
### 2. RESTART YOUR NETWORK IN THE CORRECT SEQUENCE

**Warning:** Failure to restart your network in the correct sequence could prevent you from connecting to the Internet.

- First, turn on the broadband modem and wait 2 minutes.
- Now, turn on your firewall.
- Last, turn on your computer.

**Note:** If software usually logs you in to the Internet, *do not* run that software or cancel it if it starts automatically.

Download from [Www.Somanuals.com](http://www.Somanuals.com). All Manuals Search And Download.



- Check the status lights and verify the following:

- *Power:* The power light goes on when you turn the firewall on.
- *Test:* The test light turns on, then goes off after less than a minute.
- *Local:* A Local light on the router is lit. If no Local lights are lit, check that the Ethernet cable connecting the powered on computer to the router is securely attached at both ends.
- *Internet:* The Internet light on the firewall is lit. If the Internet light is not lit, make sure the Ethernet cable is securely attached to the firewall Internet port and the powered on modem.

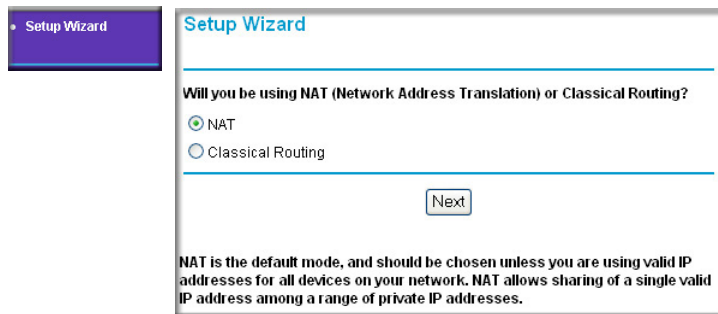
### 3. LOG IN TO THE FIREWALL

- From your PC, launch your Internet browser.
- Connect to the firewall by typing **http://192.168.0.1** in the address field of Internet Explorer or Netscape® Navigator.



- Enter **admin** for the router user name and **password** for the router password, both in lower case letters.
- After logging in to the router, you will see the Internet connection Setup Wizard on the settings main page.

## 4. RUN THE SETUP WIZARD TO CONNECT TO THE INTERNET



- You are now connected to the router. If you do not see the menu above, click the Setup Wizard link on the upper left of the main menu.
- Choose NAT or Classical Routing. Typically, NAT is used. NAT automatically assigns private IP addresses (192.168.0.x) to LAN connected devices. Classical routing lets you directly manage the IP addresses the FVS328 uses.
- Click **Next** to proceed. Input your ISP settings, as needed.
- At the end of the Setup Wizard, click the **Test** button to verify your Internet connection and register your product. If you have trouble connecting to the Internet, use the Troubleshooting Tips below to correct basic problems, or refer to the *Reference Manual* on the CD.

You are now connected to the Internet!

## Troubleshooting Tips

Here are some tips for correcting simple problems that prevent with you from connecting to the Internet or connecting to the firewall.



201-10082-01 December 2003

**Be sure to restart your network in the correct sequence.**

Follow this sequence. Turn off the modem, firewall, and computer. Turn on the modem first and wait two minutes. Next turn on the firewall, and finally the computer.

**Make sure the Ethernet cables are securely plugged in.**

- For each powered on computer connected to the firewall with a securely plugged in Ethernet cable, the corresponding firewall Local port status light will be lit. The label on the bottom of the firewall identifies the number of each Local port.
- The Internet port status light on the firewall will be lit if the Ethernet cable from the firewall to the modem is plugged in securely and the modem and firewall are turned on.

**Make sure the network settings of the computer are correct.**

LAN connected computers *must* be configured to obtain an IP address automatically via DHCP, unless you have turned NAT off and are managing the IP addresses directly. For instructions on these configuration settings, please see the *Reference Manual* on the *Model FVS328 Resource CD*.

## Technical Support

Thank you for selecting NETGEAR products.

### Register Your Product

To register, point your browser to this location:  
<http://www.NETGEAR.com/register>

Go to <http://www.NETGEAR.com/support> to browse for additional information.

©2003 by NETGEAR, Inc. All rights reserved.

NETGEAR is a registered trademark of NETGEAR, Inc. in the United States and/or other countries.

Other brand and product names are trademarks or registered trademarks of their respective holders. Information is subject to change without notice.

## Free Manuals Download Website

<http://myh66.com>

<http://usermanuals.us>

<http://www.somanuals.com>

<http://www.4manuals.cc>

<http://www.manual-lib.com>

<http://www.404manual.com>

<http://www.luxmanual.com>

<http://aubethermostatmanual.com>

Golf course search by state

<http://golfingnear.com>

Email search by domain

<http://emailbydomain.com>

Auto manuals search

<http://auto.somanuals.com>

TV manuals search

<http://tv.somanuals.com>