

## Start Here

Please refer to the online Reference Manual for instructions on advanced configuration options. A link to the *NETGEAR WG602v4 54 Mbps Wireless Access Point Reference Manual* is on the *Resource CD*.

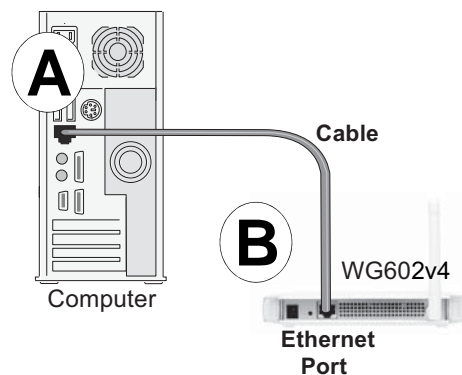
**Estimated Completion Time: 30 minutes.**

**Tip:** Before mounting the WG602v4 in a high location, first set up and test the WG602v4 to verify wireless network connectivity.




## First, Set Up the WG602v4

### 1. CONNECT THE WIRELESS ACCESS POINT TO YOUR COMPUTER AND MODEM

- Unpack the box and verify the contents.
- Prepare a PC with an Ethernet adapter. If this PC is already part of your network, record its TCP/IP configuration settings. Configure the PC with a static IP address of 192.168.0.210 and 255.255.255.0 as the Subnet Mask.
- Connect an Ethernet cable from the WG602v4 to the PC (point A).
- Securely insert the other end of the cable into the WG602v4 Ethernet port (point B).
- Connect the Power Adapter from the WG602v4 to an AC power outlet.



**Note:** Only connect your wireless access point using the power supply provided with the WG602v4.

- Turn on your computer and verify the LED behavior on the front of the wireless access point.
  -  **Power.** The power light should be lit. If the power light is not lit, check the connections and to see if the power outlet is controlled by a wall switch that is turned off.
  -  **Ethernet.** The Ethernet (LAN) light on the WG602v4 should be lit (amber for a 10 Mbps connection and green for a 100 Mbps connection). If not, make sure the Ethernet cable is securely attached at both ends.
  -  **WLAN.** The wireless light should be lit.

### 2. CONFIGURE LAN AND WIRELESS ACCESS

- Configure the WG602v4 Ethernet port for LAN access. Connect to the WG602v4 by opening your browser and entering `http://192.168.0.227` in the address field.



A login window will display.

- When prompted, enter **admin** for the user name and **password** for the password, both in lower case letters. The NETGEAR WG602v4 54 Mbps Wireless Access Point user interface will display.
- Under Setup on the main menu, select IP Settings and configure the IP Settings for your network.
- Select Wireless Settings under Setup on the main menu and configure the wireless access settings. See the online help or the online Reference Manual for full instructions.



**Note:** If you change the default subnet of the LAN IP address, you will be disconnected from the WG602v4 Access Point user interface. To reconnect, reconfigure your computer with a static IP address within the new LAN IP subnet.

**Tip:** Before you deploy your wireless access point, reserve an IP address (based on the WG602v4's MAC address) on the DHCP server. That way, you can configure the wireless access point with a static IP address which you can always use to log in to make future configuration changes.

### 3. TEST WIRELESS CONNECTIVITY

Using a PC with a wireless adapter configured according to the wireless settings you just set in the WG602v4 to establish a wireless connection to the WG602v4.

## Deploy the WG602v4

Now that you have finished the setup steps, you are ready to deploy the WG602v4 in your network. If needed, you can now reconfigure the PC you used in step 1 back to its original TCP/IP settings.

- Disconnect the WG602v4 and position it where you will deploy it. The best location is elevated, such as wall mounted or on the top of a cubicle, at the center of your wireless coverage area, and within line of sight of all the mobile devices.
- Position the antenna. Vertical positioning provides best side-to-side coverage. Horizontal positioning provides best top-to-bottom coverage.
- Connect an Ethernet cable from your WG602v4 Access Point to a LAN port on your router, switch, or hub.
- Connect the power adapter to the wireless access point and plug the power adapter in to a power outlet. The PWR, LAN, and WLAN lights should light up.

## Now, Verify Wireless Connectivity

Using a computer with an 802.11g or 802.11b wireless adapter, verify connectivity by using a browser such as Netscape® or Internet Explorer to connect to the Internet, or check for file and printer access on your network.

**Note:** If you cannot connect, see to Troubleshooting Tips in this guide or the online Reference Manual. (A link to the Reference Manual is on the *Resource CD*.)

## Troubleshooting Tips

Here are some tips for correcting simple problems you may have.

### **No lights are lit on the access point.**

The access point has no power.

- Make sure the power cord is connected to the access point and plugged in to a working power outlet or power strip.
- Make sure you are using the correct NETGEAR power adapter supplied with your access point.



### **The Ethernet light is not lit.**

There is a hardware connection problem.

- Make sure the cable connectors are securely plugged in at the access point and the network device (hub, switch, or router).
- Make sure the connected device is turned on.



### **The WLAN light is not lit.**

The access point's antenna is not working.

- If the Wireless LAN activity light stays off, disconnect the adapter from its power source and then plug it in again.
- Make sure the antenna is tightly connected to the WG602v4.
- Contact NETGEAR if the WLAN light remains off.

### **I cannot configure the access point from a browser.**

Check these items:

- The WG602v4 is properly installed, LAN connections are OK, and it is powered on. Check that the LAN port and Ethernet port LEDs are green, and verify that the Ethernet cable is securely connected.
- If you are using the NetBIOS name of the WG602v4 to connect, ensure that your PC and the WG602v4 are on the same network segment or that there is a WINS server on your network.
- If your PC uses a Fixed (Static) IP address, ensure that it is using an IP Address in the range of the WG602v4. The WG602v4 default IP Address is 192.168.0.227 and the default Subnet Mask is 255.255.255.0.

- If the network where you are connecting the wireless access point is using DHCP and spans several segments, reserve an IP address for the wireless access point before you deploy it in your network (see the online Reference Manual for more details).

### **I cannot access the Internet or the LAN with a wireless capable computer.**

There is a configuration problem. Check these items:

- You may not have restarted the computer with the wireless adapter to have TCP/IP changes take effect. Restart the computer.
- The computer with the wireless adapter may not have the correct TCP/IP settings to communicate with the network. Restart the computer and check that TCP/IP is set up properly for that network. The usual setting for Windows on the Network Properties is set to "Obtain an IP address automatically."
- The access point's default values may not work with your network. Check the access point default configuration against the configuration of other devices in your network.
- For full instructions on changing the access point's default values, see the online Reference Manual (a link to the manual is on the *Resource CD*).

## **Technical Support**

---

Thank you for selecting NETGEAR products.

To register your product, go to: <http://www.NETGEAR.com/register>

Go to <http://www.NETGEAR.com/support> for support information.



This symbol was placed in accordance with the European Union Directive 2002/96 on the Waste Electrical and Electronic Equipment (the WEEE Directive). If disposed of within the European Union, this product should be treated and recycled in accordance with the laws of your jurisdiction implementing the WEEE Directive.

©2007 by NETGEAR, Inc. All rights reserved.  
NETGEAR and the NETGEAR logo are registered trademarks of NETGEAR, Inc. in the United States and/or other countries. Other brand and product names are trademarks or registered trademarks of their respective holders.  
Information is subject to change without notice.



201-11118-01

June 2007

Download from [Www.Somanuals.com](http://www.Somanuals.com). All Manuals Search And Download.

## Free Manuals Download Website

<http://myh66.com>

<http://usermanuals.us>

<http://www.somanuals.com>

<http://www.4manuals.cc>

<http://www.manual-lib.com>

<http://www.404manual.com>

<http://www.luxmanual.com>

<http://aubethermostatmanual.com>

Golf course search by state

<http://golfingnear.com>

Email search by domain

<http://emailbydomain.com>

Auto manuals search

<http://auto.somanuals.com>

TV manuals search

<http://tv.somanuals.com>