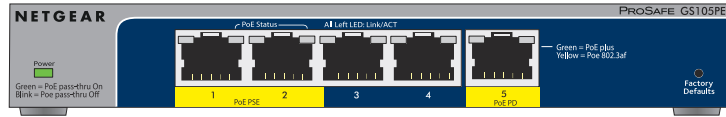
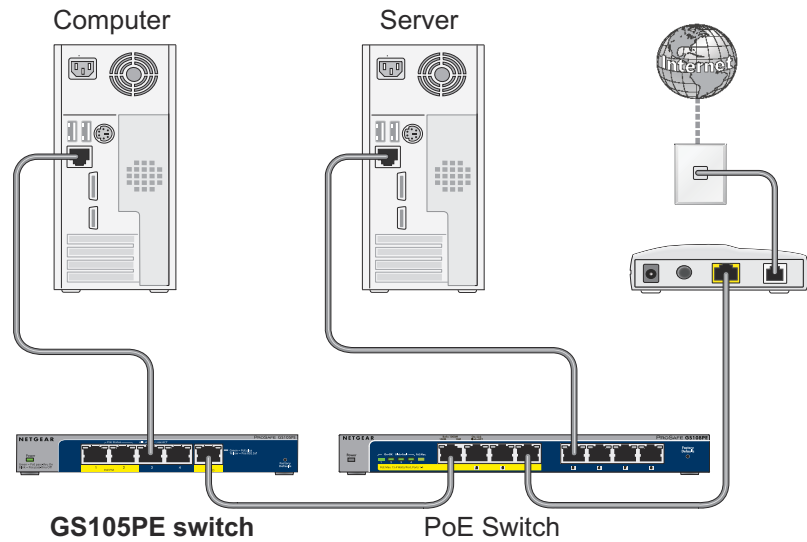


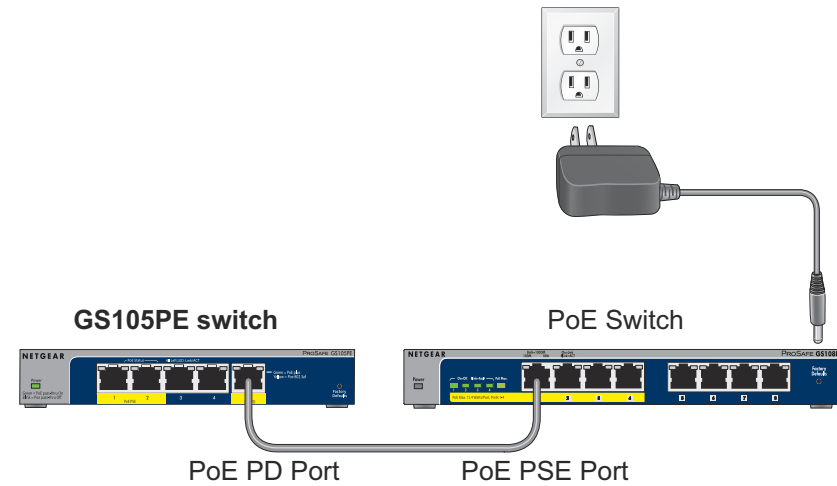
### ProSAFE Plus 5-Port Gigabit PoE Pass Through Switch GS105PE



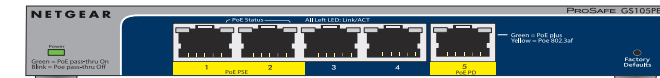
#### Step 1. Connect equipment.



#### Step 2. Connect power.



#### Step 3. Check status.



##### Power LED

- PoE pass through enabled
- PoE pass through disabled
- Off

##### Port LEDs Left

- 1000 Mbps link
- 10/100 Mbps link
- 1000 Mbps activity (blinking)
- 10/100 Mbps activity (blinking)
- No link (off)

##### PoE PD (Port 5) LED Right

- Receiving power from PSE per 802.3at specification
- Receiving power from PSE
- Off

##### PoE PSE (Ports 1 and 2) LEDs Right

- Supplying power
- PoE Fault
- No PoE Power PD not detected

## Set Up the Switch Configuration Utility

Plus switches are plug and play. You can install a configuration utility to select additional options to manage and customize the switch for your network. This utility is on the resource CD that was shipped with the switch.

**Note:** The configuration utility is installed on your computer and is supported only on Windows computers.

### To install the configuration utility:

1. Insert the resource CD into a computer that is connected to the switch.
2. Click **Install ProSAFE Plus Utility** and follow the prompts to install the program.

The switch configuration utility is installed in the program directory of your computer and a **ProSAFE Plus Utility** icon is placed on your desktop.

### To configure the switch:

1. Double-click the **ProSAFE Plus Utility** icon.  
The configuration home screen displays a list of plus switches that it discovers on the local network.
2. Select the switch that you want to configure.  
You are asked to enter the password for the switch.
3. Enter the switch's password in the password field.  
The switch's default password is password.
4. Use the utility to configure the switch.

For a description of plus features, see the *ProSAFE Plus Switch Utility User Guide*. You can access the user guide through links on the Help tab of the utility or on the resource CD.

## PoE Pass Through

This switch supports PoE pass through. When the power LED is blinking green, it means PoE pass-through is disabled because the input voltage to port 5 is less than 45 VDC. When a PoE switch is connected to the PD port, power is passed through the switch to the PSE ports. PSE port 1 is always given priority. Power not consumed by the switch or a device connected to port 1 is supplied to port 2. The following table describes the behaviour of the PSE ports.

Port 5 Connected Device Type	Scenario	Port 1 PD Class Type Support	Port 2 PD Class Type Support
IEEE802.3af PoE Switch or Injector	Device connected to port 1	Class 1 or 2	NA
IEEE802.3af PoE Switch or Injector	Device connected to port 2	NA	Class 1 or 2
IEEE802.3at PoE Switch or Injector	Device connected to port 1	Class 0 or 3	NA
IEEE802.3at PoE Switch or Injector	Device connected to port 2	NA	Class 0 or 3
IEEE802.3at PoE Switch or Injector	Device connected to port 1 and port 2	Class 1 or 2	Class 1 or 2

## Specifications

Specification	Description
Network interface	RJ-45 connector for 10BASE-T, 100BASE-TX, or 1000BASE-T
Network cable	Category 5e (Cat 5e) or better Ethernet cable
Ports	5
Power	37-57 VDC, 600mA max@42.5V

Specification	Description (Continued)
Power consumption	21.95W maximum
Weight	0.47 Kg (1.04 lbs)
Dimensions (W x D x H)	158 mm x 100 mm x 27 mm (6.22 in. x 3.93 in. x 1.06 in.)
Operating temperature	0–50° C (32–122° F)
Operating humidity	10%–90% relative humidity, noncondensing
Electromagnetic compliance	CE Class B, FCC part 15 Class B, VCCI Class B, C-Tick Class B, CAN ICES-3 (B)/NMB-3(B)
Safety agency approvals	CE mark

## Support

Thank you for selecting NETGEAR products.

After installing your device, locate the serial number on the label of your product and use it to register your product at <https://my.netgear.com>.

You must register your product before you can use NETGEAR telephone support. NETGEAR recommends registering your product through the NETGEAR website. For product updates and web support, visit <http://support.netgear.com>.

NETGEAR recommends that you use only the official NETGEAR support resources.

For the current EU Declaration of Conformity, visit [http://support.netgear.com/app/answers/detail/a\\_id/11621/](http://support.netgear.com/app/answers/detail/a_id/11621/).



201-17620-03

NETGEAR, Inc.  
350 East Plumeria Drive  
San Jose, CA 95134 USA

November 2013

NETGEAR, the NETGEAR logo, and Connect with Innovation are trademarks and/or registered trademarks of NETGEAR, Inc. and/or its subsidiaries in the United States and/or other countries. Information is subject to change without notice. © NETGEAR, Inc. All rights reserved.

Download from [www.somanuals.com](http://www.somanuals.com). All Manuals Search And Download.

## Free Manuals Download Website

<http://myh66.com>

<http://usermanuals.us>

<http://www.somanuals.com>

<http://www.4manuals.cc>

<http://www.manual-lib.com>

<http://www.404manual.com>

<http://www.luxmanual.com>

<http://aubethermostatmanual.com>

Golf course search by state

<http://golfingnear.com>

Email search by domain

<http://emailbydomain.com>

Auto manuals search

<http://auto.somanuals.com>

TV manuals search

<http://tv.somanuals.com>