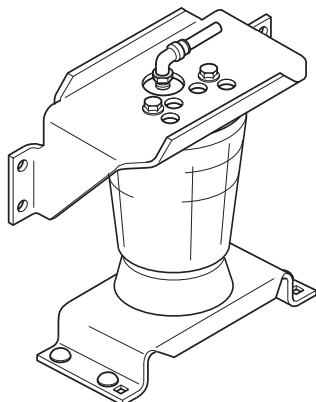


DO NOT INSTALL THIS KIT ON VEHICLES WITH COMPOSITE LEAF SPRINGS. THIS KIT IS COMPATIBLE WITH STEEL LEAF SPRINGS ONLY.



INSTALLATION INSTRUCTIONS

Congratulations - your new Air Helper Springs are quality products capable of improving the handling and comfort of your vehicle. As with all products, proper installation is the key to obtaining all of the benefits your kit is capable of delivering. Please take a few minutes to read through the instructions to identify the components and learn where and how they are used. It is a good idea to start by comparing the parts in your kit with the parts list below.

The heart of the air helper spring kit is, of course, the air springs. Remember that the air helper springs must flex and expand during operation, so be sure that there is enough clearance to do so without rubbing against any other part of the vehicle.

Be sure to take all applicable safety precautions during the installation of the kit. The instructions listed in this brochure and the illustrations all show the left, or driver's side of the vehicle. To install the right side assembly simply follow the same procedures.

PARTS LIST

AIR SPRING	9001	2	3/8"-16 X 1 1/2" HEX BOLT	8
UPPER BRACKET	5376	2	5/16" FLAT WASHER	4
LOWER BRACKET	5092	2	PUSH-TO-CONNECT	
BRACKET STRAP/SHIM 1/2"	5086	4	INFLATION VALVE	2
BRACKET STRAP/SHIM 1"	5093	4	INFLATION VALVE CAP	2
AIR LINE TUBING		1	PUSH-TO-CONNECT	
3/8"-16 FLANGE LOCK NUT		16	ELBOW FITTING	2
3/8"-16 X 3/4" FLANGE HEX BOLT		6	THERMAL SLEEVE	2
3/8"-16 x 4-1/2" CARRIAGE BOLT		8	NYLON TIE	6
3/8" SPECIAL WASHER		6	CAUTION TAG	2
3/8" FLAT WASHER		2		

WARNING:

Do not inflate this assembly when it is unrestricted. The assembly must be restricted by the suspension or other adequate structure. Do not inflate beyond 100 psi. Improper use or over inflation may cause property damage or severe personal injury.

Installation of this kit requires a minimum of 6-1/2" of clearance between the tire side wall and the frame.

Your kit includes separate inflation valves and air lines for each air helper spring. This will allow you to level your vehicle from side to side as well as from front to back. If you would rather have a single valve inflation system, your dealer can supply the required "T" fitting.

IMPORTANT!

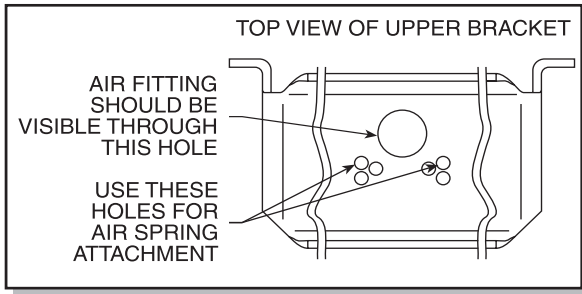
For your safety and to prevent possible damage to your vehicle, do not exceed the maximum load recommended by the vehicle manufacturer (GVWR). Although your Air Helper Springs are rated at a maximum inflation pressure of 100 psi, this pressure may allow you to carry too great a load on some vehicles. It is best to have your vehicle weighed once it is completely loaded and compare that weight to the maximum allowed. Check your vehicle owner's manual for maximum loads listed for your vehicle.

When inflating your Air Helper Springs, add air pressure in small quantities, checking pressure frequently during inflation. The air spring requires much less air volume than a tire and, therefore, inflates much quicker.

TOOLS REQUIRED

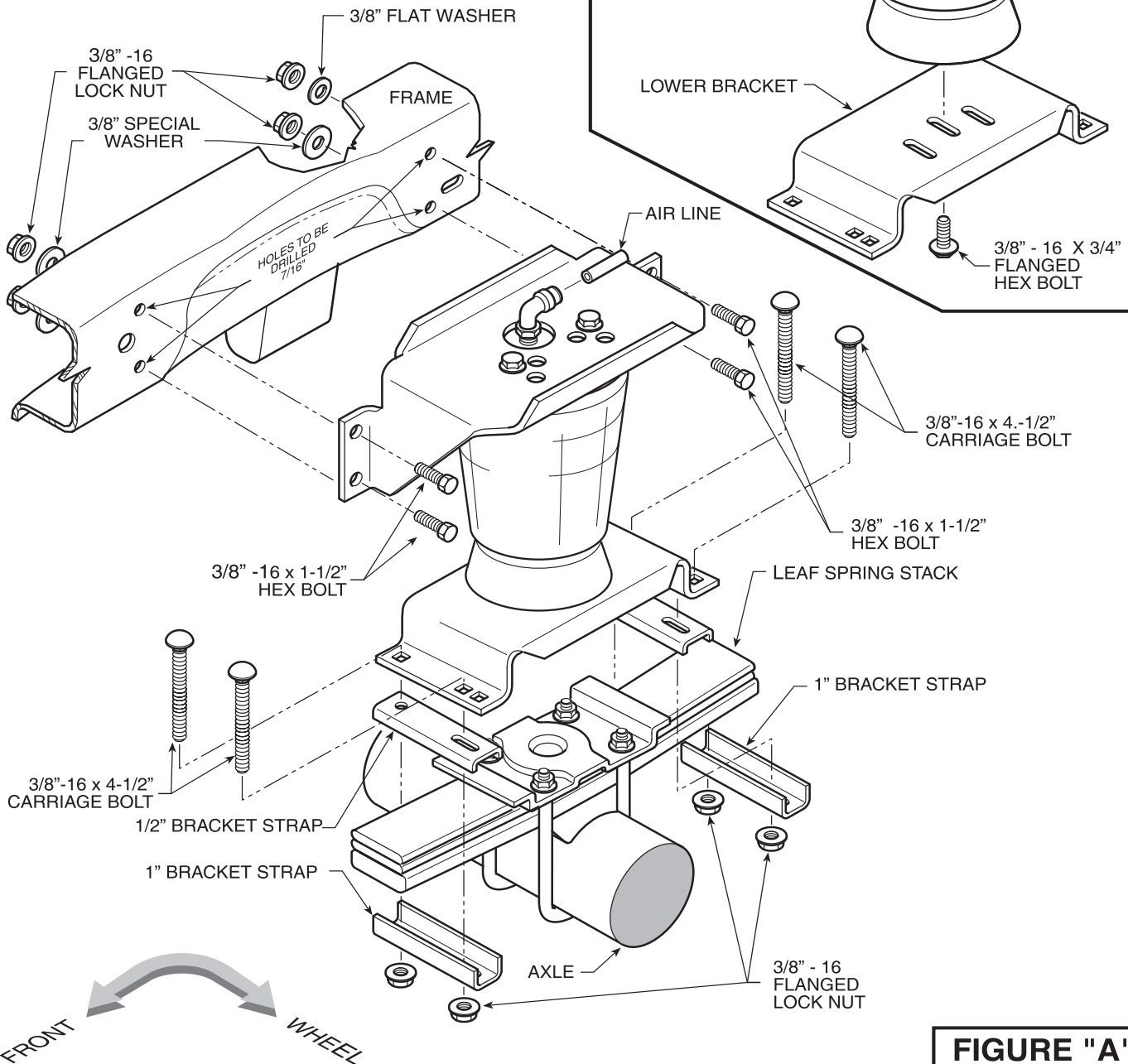
- (2) 9/16" END WRENCHES
- (2) 1/2" END WRENCHES
- UTILITY KNIFE
- 5/16" DRILL BIT
- 3/8" DRILL BIT
- ELECTRIC DRILL

UPPER BRACKET HOLE SELECTION



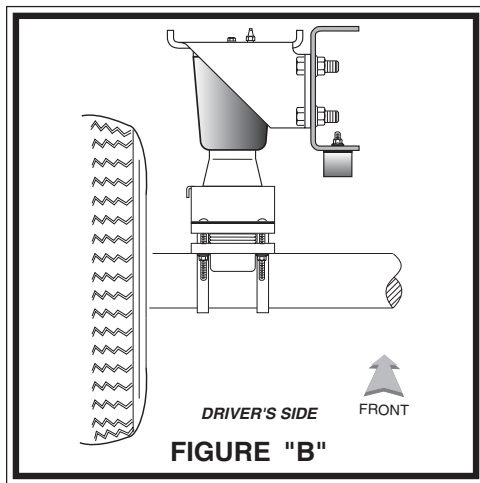
NOTE: Both illustrations are of the left, or drivers side, of the vehicle. Reverse any orientations when assembling and installing the right, or passenger, side of the vehicle.

KIT TO FRAME ASSEMBLY



KIT ASSEMBLY

FIGURE "A"

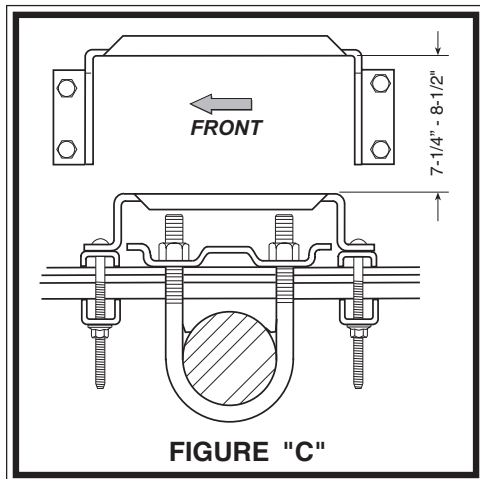


STEP 1 - PREPARE THE VEHICLE

Remove the positive battery cable. With the vehicle on a solid, level surface chock the front wheels. Raise the vehicle by the axle and remove the rear wheels. After the removal of the wheels lower the vehicle so the axle rests on jack stands rated for your vehicles weight. *This installation assumes that there is no load in the bed of the truck.*

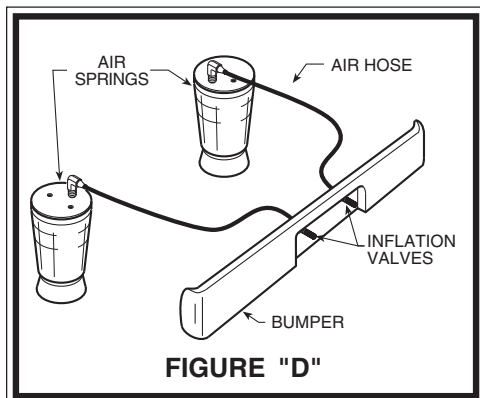
STEP 2 - PRE-ASSEMBLE THE KIT

Select one air helper spring and an upper bracket from your kit. Before attaching the air spring to the upper bracket, thread the air fitting into the spring *see Figure "A"*. Tighten the air fitting so as to make contact with the nylon ring and then tighten 1/4 turn to snug the fitting. No thread sealant is needed. Align the threaded mounting holes of the air spring with the mounting holes of the upper bracket and attach the upper bracket using the 3/8" -16 x 3/4" flanged hex bolts. Select one lower bracket and place the bracket so the lip of the lower bracket will be next to the tire *see Figure "A"*. Fasten using a 3/8" -16 x 3/4" flange lock bolt through the center slot into the threaded hole in the air spring (*finger tight*). *Note that this bolt will be tightened in Step 4.*

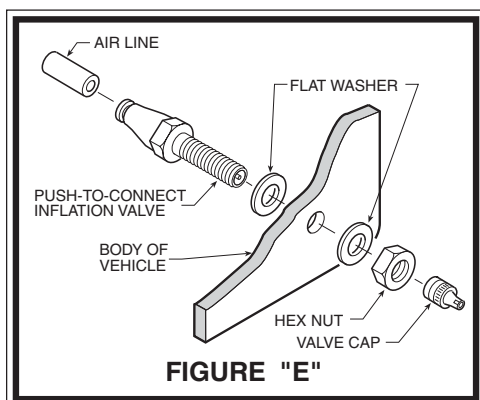


STEP 3 - PRE-FIT AND MARK / DRILL HOLES

Position the air spring assembly on the leaf spring stack. The lower bracket should straddle the leaf spring retainer and the upper bracket mounting flanges should be flush against the frame. Depending on the application, the lower bracket may have to be raised (i.e. interference with "U"-bolts, leaf spring retainer, brake drum, etc...). This kit comes with two sets of bracket straps/shims. These are included to provide adequate clearance for the air spring and lower bracket, as well as, any other component on the vehicle. One set is 1/2" tall while the other set is about 1" tall. To raise the air spring assembly to its maximum height, install the 1/2" shim between the lower bracket and the leaf spring stack. The remaining 1" strap/shim will be used to clamp the assembly to the leaf spring stack *see Figure "C"*. The bracket straps/shims may be interchanged to provide maximum clearance and proper air spring height. Furthermore, the shims can be mixed (i.e. use the 1/2" on one side and the 1" or none on the other) to adjust for leaf spring slant. Keep the upper and lower brackets as parallel as possible.



Once the height of the lower bracket has been established, adjust the position of the upper bracket so that the mounting flanges are flush with the side of the frame rail. It may be necessary to slide the entire assembly fore or aft along the leaf spring in order to provide proper mounting. Before marking and drilling the holes for the upper bracket, make sure the mounted height of the air spring is between 7-1/4" - 8-1/2" *see Figure "C"*, and the upper and lower brackets are as parallel and high as possible. Mark the four holes to be drilled with a center punch using the upper bracket as a template, then remove the air spring assembly. *Before drilling the holes make sure all electrical, brake and fuel lines are cleared from the path of the drill.* Damage to lines can be avoided by inserting a piece of wood between the frame rail and any lines in the path of the drill. Drill the four holes in the frame rail using a 3/8" drill bit *see Figure "A"*.



STEP 4 - INSTALL THE ASSEMBLY TO THE VEHICLE

After drilling the holes in the frame rail place the assembled air spring and brackets back on the leaf stack making sure the lower bracket is placed over the retainer (*see Figure "A" & "B"*). Install the 3/8"-16 x 1-1/2" hex bolts through the upper bracket holes and the holes that were drilled in the frame rail. Next, fasten the upper bracket to the frame rail using the 3/8"-16 flange lock nuts and flat washers *see Figure "A"*. On each side of the vehicle, substitute a standard washer in place of the special washer in the upper rear location *see Figure "A"*. Next, attach the lower bracket to the leaf spring assembly. Use the bracket strap/shim that is not being used as a spacer and fasten the air spring assembly to the leaf stack using the 3/8"-16 x 4-1/2" carriage bolts and 3/8"-16 flanged lock nuts *see Figure "A"*. *Tighten the air spring to the lower bracket making sure the air spring is as vertical as possible.*

Free Manuals Download Website

<http://myh66.com>

<http://usermanuals.us>

<http://www.somanuals.com>

<http://www.4manuals.cc>

<http://www.manual-lib.com>

<http://www.404manual.com>

<http://www.luxmanual.com>

<http://aubethermostatmanual.com>

Golf course search by state

<http://golfingnear.com>

Email search by domain

<http://emailbydomain.com>

Auto manuals search

<http://auto.somanuals.com>

TV manuals search

<http://tv.somanuals.com>