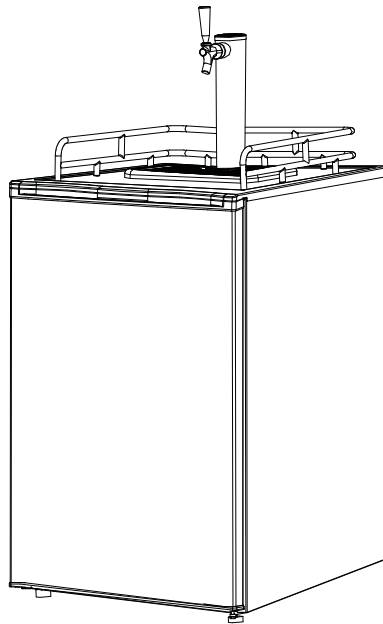




Please read and save these instructions.

---

# AK-200 SERIES KEGERATOR OWNER'S MANUAL



# CONTENTS

---

<b>SAFETY PRECAUTIONS</b> .....	2
Important Safety Precautions of CO <sub>2</sub> (Carbon Dioxide) Gas .....	4
Proper Location .....	5
Use of Extension Cords .....	5
<b>ASSEMBLY INSTRUCTIONS</b> .....	5
Installing the Casters .....	6
Installing the Beer Tap .....	6
Installing the Guardrail .....	7
Installing the CO <sub>2</sub> Regulator and the CO <sub>2</sub> Cylinder .....	7
Tapping the Beer Keg – Installing Keg Tap .....	8
<b>OPERATING YOUR KEGERATOR</b> .....	9
Cleaning & Maintenance .....	10
Storage & care .....	10
<b>SPECIAL SAFETY INFORMATION</b> .....	11
Special Safety Information .....	11
<b>QUICK ASSEMBLY INSTRUCTIONS</b> .....	13
Quick Assembly Instructions .....	13
<b>LIMITED MANUFACTURER'S WARRANTY</b> .....	16
Limited Manufacturer's Warranty .....	16

**NOTE:**

The rating data indicated on the energy label is based on the testing condition of installing the un-extended air exhaust duct without adaptor A & B (The duct and the adaptor A & B are listed in the accessories chart of the Instruction Manual).

## **SAFETY PRECAUTIONS**

**Read all of the instructions before using this appliance. When using this appliance, always exercise basic safety precautions, including the following:**

1. Use this appliance only for its intended purpose as described in this operation manual.
2. This appliance must be properly installed in accordance with the installation instructions before it is used. See the installation section for more details.
3. This appliance must be connected to a proper electrical outlet with the correct electrical supply.
4. Proper grounding must be ensured to reduce the risk of shock and fire. Do not cut or remove the grounding pin! If you do not have a three-prong electric receptacle outlet in the wall, have a certified electrician install the proper outlet. The wall receptacle must be properly grounded.
5. Never unplug your appliance by pulling on the power cord. Always grasp the plug firmly and pull straight out from the outlet.
6. Immediately replace worn power cords, loose plugs and power outlets. If the supply cord is damaged, it must be replaced by the manufacturer or its service agent or a similarly qualified person in order to avoid a hazard.
7. To reduce the risk of electric shock or fire, do not use extension cords or adapters to connect the unit to an electrical power source.
8. Unplug your appliance before cleaning or making any repairs.
9. We suggest that a certified technician perform the service if for any reason this product requires service.
10. If your old appliance is being discarded, we recommend that you remove the door and leave the shelves in place. This will reduce the possibility of danger to children.
11. This appliance should not be recessed or built into an enclosed cabinet. It is designed for freestanding installation only.
12. Do not operate your appliance in the presence of explosive fumes.
13. Do not tamper with the controls.
14. Do not operate this appliance when parts are missing or broken.
15. Do not use this appliance for commercial use.
16. This appliance is designed for indoor use only and should not be used outdoors.
17. To reduce the risk of injury, do not allow children to play in or on the appliance. Close supervision is necessary when the appliance is used near children.
18. The appliance door must be closed during operation. Do not leave the door open when children are near the dispenser.
19. Do not run cord over carpeting or other heat insulators. Do not cover the cord. Keep cord away from traffic areas, and do not submerge in water. DO NOT attempt to operate this unit with a damaged cord or plug.
20. DO NOT roll the kegerator with loaded beer kegs on carpet floor.

## **SAFETY PRECAUTIONS**

---

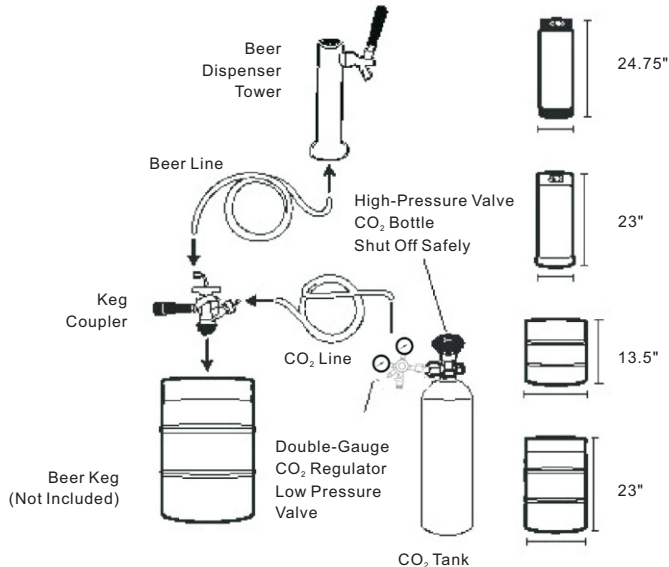
21. This appliance is not intended for use by young children or infirm persons without supervision.
22. This appliance is NOT A TOY!
23. Young children should be supervised to ensure that they do not play with this appliance.
24. When transporting the refrigerator, keep the unit in the upright position. Do not tilt the appliance beyond 45° or place the unit in an upside down position.



# SAFETY PRECAUTIONS

## Important Safety Precautions of CO<sub>2</sub> (Carbon Dioxide) Gas

1. CO<sub>2</sub> gas can be dangerous! CO<sub>2</sub> cylinders contain high-pressure compressed gas, which can be hazardous if not handled properly. Make sure you read and understand all the procedures for the CO<sub>2</sub> cylinders before installation.
2. Always connect the CO<sub>2</sub> cylinder to a regulator! Failure to do so may cause an explosion resulting in possible death or injury when the cylinder valve is opened.
3. Never connect the CO<sub>2</sub> cylinder directly to the product container.
4. Always follow the correct procedures when changing cylinders.
5. Never drop or throw a CO<sub>2</sub> cylinder.
6. Always keep CO<sub>2</sub> cylinders away from heat. Store extra cylinders at a cool place (preferably lower than 70° F). Securely fasten with a chain in an upright position when storing.
7. Always ventilate and leave the area immediately if CO<sub>2</sub> leakage has occurred!
8. There are two safety devices in the pressure system in the form of a valve. One safety feature is on the CO<sub>2</sub> bottle. The second is on the regulator.
9. Never attempt to refill CO<sub>2</sub> cylinders yourself. CO<sub>2</sub> tanks can be refilled at locations such as welding supply shops, party stores, fire supply shops, or where kegs are purchased.



# ASSEMBLY INSTRUCTIONS

---

SAVE THESE INSTRUCTIONS  
For Future Use

## DANGER!

**Risk of child entrapment! Before throwing away your old appliance:**

- Take off the doors.
- Leave the shelves or other accessories in place so that children may not easily become trapped inside.

(Note: If the refrigerator has been placed in a horizontal or tilted position for any period of time, please wait at least 24 hours before plugging the unit in.)

### Proper Location

- To ensure that your kegerator works to the maximum efficiency it was designed for, keep it in a location where there is proper air circulation and electrical outlets.
- Choose a location where the kegerator will be away from heat and will not be exposed to direct sunlight.
- This kegerator is designed for indoor use only -- it should not be used outdoors.
- This kegerator is a freestanding design and should not be placed in a built-in or recessed area.
- Kegerator unit dimensions:  
21.3" W x 33.20" H (with casters) x 26.60" D
- The following dimensions are recommended for clearances around the kegerator:

Sides .....5" (12 cm)  
Back .....5" (12 cm)

### Use of Extension Cords

- Always avoid using an extension cord because of potential safety hazards in certain conditions. If it is necessary to use an extension cord, use only a 3-wire extension cord that has a 3-blade grounding plug. And use the cord with No. 14 AWG minimum size and rated not less than 1875watts.

### Assembly Instructions

- Read assembly instructions carefully to ensure that you understand all installation instructions before installing the kegerator. If after completing the process

# ASSEMBLY INSTRUCTIONS

you are still unsure whether the kegerator has been properly installed, we recommend that you contact a qualified installer.

- Note: Allow the kegerator to stand in an upright position for at least 8 hours before plugging in the unit. This is very important! Once the unit is laid on its side, the refrigerant in the refrigeration system is shifted. The refrigerant in the refrigeration system needs to stabilize before the unit is turned on.

## Installing the Casters

Follow the steps below to install the casters.

1. Empty the inside of the cabinet completely and lay the kegerator down on its side. We recommend that you place a piece of cardboard or cloth underneath the cabinet to prevent dents or scratches.
2. Insert the casters into the holes on the bottom corners of the cabinet. Tighten each caster by turning the head of the bolts clockwise with a wrench. (Not provided in the kit.)
3. Once all four casters have been tightened, stand the cabinet in its upright position.

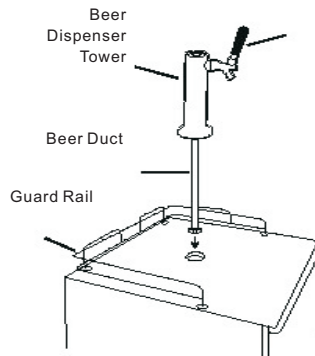
Note: Two of the casters include locking mechanisms to ensure the unit does not slide on hard floors. These two locking casters should be fastened at the front end of the unit, with the unlocked casters fastened on the rear end.



## Installing the Beer Tap

Follow the steps below to install the beer tap.

There are notches on the bottom of the draft arm assembly that line up with grooves inside the opening on the top of the kegerator. Align the draft arm with the opening on the top of the unit, then place inside and twist until secure. No screws are necessary, simply lock it into place. Use the thin black gasket for assembly. (See Illustrations C & D on pages 11 & 12)



## ASSEMBLY INSTRUCTIONS

Also, See Illustrations E & F on pages 12 & 13, showing the hose connections to CO<sub>2</sub> regulator and the regulator to the beer tap.

### Installing the Guardrail

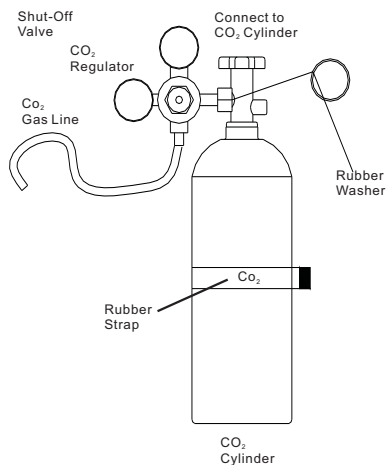
Follow the steps below to install the guardrail.

1. Place the guardrail on top of the cabinet.
2. Align all support feet of the guardrail with the holes on the top of the unit.

### Installing the CO<sub>2</sub> Regulator and the CO<sub>2</sub> Cylinder

Follow these steps to safely install the CO<sub>2</sub> regulator and CO<sub>2</sub> cylinder. You must read and understand the following procedures for the CO<sub>2</sub> cylinders before installation.

NOTE: Your CO<sub>2</sub> cylinder has DOT (USA Department of Transportation) approval; however the cylinder has been shipped empty to avoid any possible accidents during transportation. When you purchase the first keg of beer, you must also have your CO<sub>2</sub> cylinder filled at your local supplier. (See page 4, item 9 for suggested locations within your community.)



1. Install the CO<sub>2</sub> gas line tube to the regulator by attaching one end of the tube to the hose barb connection on the CO<sub>2</sub> regulator. (See Illustration B, on page 6)
2. Insert the special washer (provided with the kit) into the regulator to cylinder attachment nut. (See Illustration A, on page 6)
3. Attach the CO<sub>2</sub> regulator to the CO<sub>2</sub> cylinder by screwing the regulator nut onto the cylinder valve and tightening with an adjustable wrench.
4. Wrap the rubber strap that is attached to the interior of kegerator unit around the CO<sub>2</sub> bottle to secure the bottle in place (as shown above).
5. Position the cylinder so that you would be able to read the numbers on the gauges and have easy access to shut-off valves.



## **ASSEMBLY INSTRUCTIONS**

---

### **DANGER!**

CO<sub>2</sub> can be dangerous! CO<sub>2</sub> cylinders contain high-pressured gas, which can be hazardous if handled improperly. They must be handled with care.

### **Tapping the Beer Keg – Installing Keg Tap (Single-Valve Type Barrel)**

**Follow these steps below to tap the beer keg.**

1. Make sure the black pull handle of the tap is in the closed (up) position before installing it on the keg (Fig. 1 below). Insert the keg coupler into the locking neck of the beer keg and turn clockwise  $\frac{1}{4}$  to lock it into position (Fig. 2 below). This means that it is secured to the keg.
2. When connecting the beer line, it is very important that the black rubber washer be installed inside the wing nut before connecting the beer line to the tap (see Illustration A below). Remove the black rubber protective cap located on top of tap and screw the wing nut with the rubber washer. Tighten it firmly by hand. (Fig.2 below)
3. Attach the CO<sub>2</sub> line end of the tube to the hose connection on the tap. Next, secure the tube by using the remaining self-locking plastic snap-on clamp to ensure that there are no leaks. Secure the clamp tightly with pliers (Fig. 3 below).
4. Make sure the beer tower faucet is in the closed (handle pointing straight back) position before connecting the tap to the keg. To secure the tank connection, pull the tapping handle out and push down until it locks into position. Listen for the “click” of the pull handle when it shifts into the final downward position (Fig. 4-below). This will open the beer and CO<sub>2</sub> gas valves. The keg is now tapped.
5. Carefully tilt the keg and rest the edge on the keg floor support on the bottom of the interior cabinet. Slide the beer keg slowly, ensuring that it is properly located (Fig. 5 below) and carefully close the door.
6. Your kegerator comes with a 2.5 lb. CO<sub>2</sub> bottle, which should be able to dispense four 15 gallon kegs of beer.

# OPERATING YOUR KEGERATOR

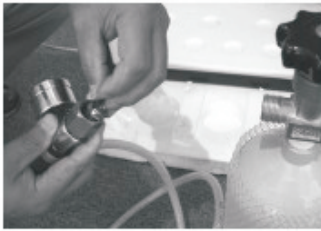
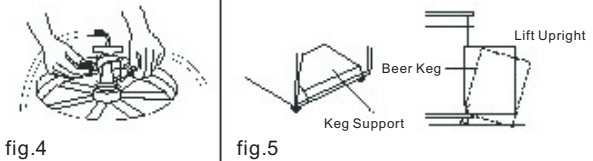
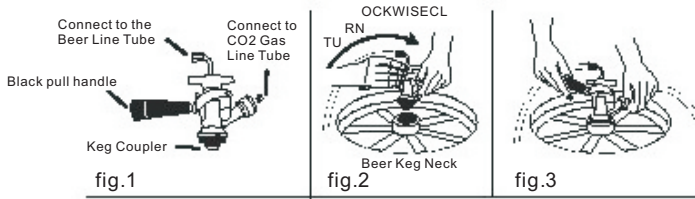


Illustration A  
Black Rubber Washer Installed in Wing Nut



Illustration B  
Then Attach to CO2 Bottle Connector

## Operating Your Kegerator Dispensing Beer

Follow the steps below to dispense beer.

1. Make sure that the kegerator is plugged in properly to a 120V, 60Hz, 15Amps grounded AC power outlet.
2. Place the drip tray under the beer faucet to avoid messes from excess beer.
3. Open the beer faucet by pulling the tap towards you to dispense the beer.  
Note: If for any reason the beer does not come out of the tap, please refer to the "Tapping the Beer Keg - Installing Keg Tap" section.
4. Increase the pressure if the beer runs too slowly.
5. Hold the glass steady at a 45° angle. When it is 2/3 full, straighten the glass. Proper foam should be a tight creamy head and the collar on an average glass should be 3/4" to 1" high, ideally.

## **OPERATING YOUR KEGERATOR**

---

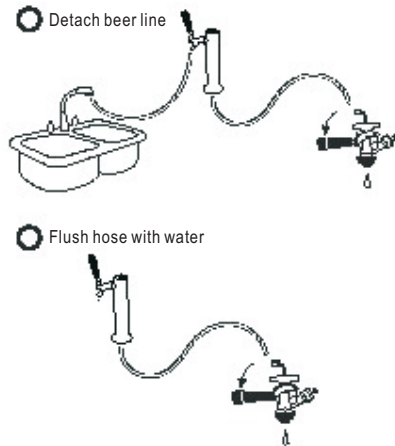
Note: It is normal to see condensation form on the faucet. It is caused by the difference of temperature between the cold beer and the inside of the faucet when beer is flowing through the line.

### **Cleaning & Maintenance**

#### **Flushing the tubes**

Follow the steps below to clean the keg tap and hoses. (See Illustration on the right.)

1. Turn off CO<sub>2</sub> completely before attempting to clean.
2. Remove the hose from the coupler and carefully twist the dispenser faucet off on the top of the kegerator.
3. Ensure that the dispenser handle is in the down position before flushing the hose. If this is not set correctly, water cannot flow through. Hold the open end of the hose under running water for 3-5 minutes, while the beer dispenser faucet drains into the sink. This will clear any excess beer that is trapped inside, helping to prevent any bacteria or mold that could accumulate inside.
4. In order to clean and remove any excess beer that may leak into the unit space inside the door, remove the black rubber insulation and wipe with a wet towel as needed.



### **Storage & Care**

Follow the guidelines below to care for your kegerator when not in use.

- Please adjust the temperature control dial to MID or LOW in colder environments because this unit does not self-defrost and ice may build up inside the unit. The temperature control dial is located inside the cabinet of the kegerator.
- Always rinse the beer line if you do not intend to use your kegerator for a period of time. First, turn off the CO<sub>2</sub> and dispense beer until it stops. This will release pressure in the keg so that the coupler can safely be detached.
- To avoid permanent damage to the unit, never use sharp objects inside the kegerator.

## **SPECIAL SAFETY INFORMATION**

---

### **Important Safety Message for Draft Beer Dispensing:**

Your kegerator system has two safety devices already provided in the CO<sub>2</sub> pressure line. The coupler for this kegerator is compatible with the ¼ Pony Keg sized barrel and the ½ Barrel full size (US Kegs). While the kegerator can hold both the 5 gallon Cornelius Keg and the 5 gallon D System Keg, should you decide to run either one of these 5 gallon kegs, you may need to obtain an alternate keg connector.

Safety devices should be installed in the following places:

- A. On or directly downstream from the CO<sub>2</sub> regulator.
- B. On the tapping device
- C. In-line in the pressure system

Note: Locations A and B noted above are preferable. If possible, they should be built into the CO<sub>2</sub> regulator and tapping device so that they cannot be removed or bypassed

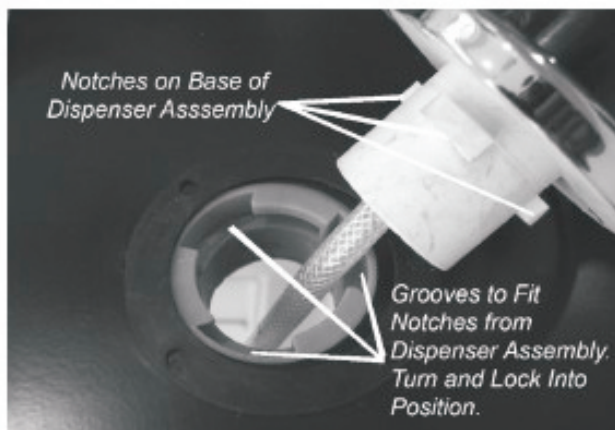


Illustration C

## **SPECIAL SAFETY INFORMATION**

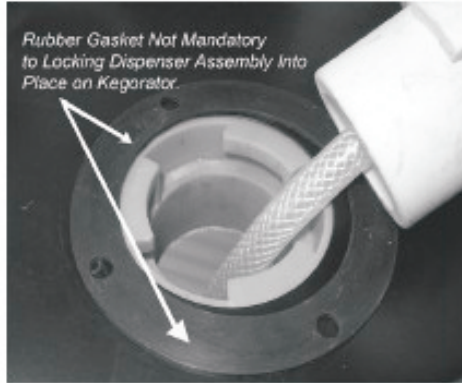


Illustration D



Illustration E

## **QUICK ASSEMBLY INSTRUCTIONS**

---



Illustration F

## **QUICK ASSEMBLY INSTRUCTIONS**

### **Installing Casters**

1. Remove all items from inside cabinet.
2. Lay kegerator on its side.
3. Install four casters, making sure the two locking casters are up front
4. Stand kegerator up on casters and allow Freon to settle for at least 8 hours before plugging in.

*\*All O-rings and rubber washers are preinstalled by the factory, but should be double checked. The bag of O-rings and rubber washers included are replacement pieces.*

### **Installing Tower (Illustrations on page 6)**

1. Remove cap from top of refrigerator.
2. Drop beer line connected to beer tower (6) through the opening in the

## **QUICK ASSEMBLY INSTRUCTIONS**

---

refrigerator.

3. Sit tower down onto opening and turn counter clockwise to lock.

### **Install Guardrail**

1. Place guardrail (10) over rubber inserts on refrigerator cabinet and push down to secure.

### **Connecting regulator and coupler (Illustrations on page 9)**

1. Make sure regulator valve and CO<sub>2</sub> tank valve are off by turning clockwise.
2. Connect regulator (7) to CO<sub>2</sub> tank (9). Use open wrench included to tighten.
3. Connect air hose (20) end with green nut to regulator (7).
4. Insert black CO<sub>2</sub> rubber washer (4) in opening at back end of coupler (1) before connecting air hose (20). Connect other end of air hose (20) to opening at back end of coupler (1).
5. Insert back flow stopper (2), round end first, into top opening of coupler (1). Insert rubber washer (3) into wing nut at end of beer line. Screw wing nut onto top opening of coupler.

### **Installing Coupler**

1. Make sure black handle on coupler (1) is in the UP position.
2. Insert coupler (1) into keg and turn clockwise to lock.
3. Pull and hold black handle on coupler (1) up and bring lever down to lock into place.

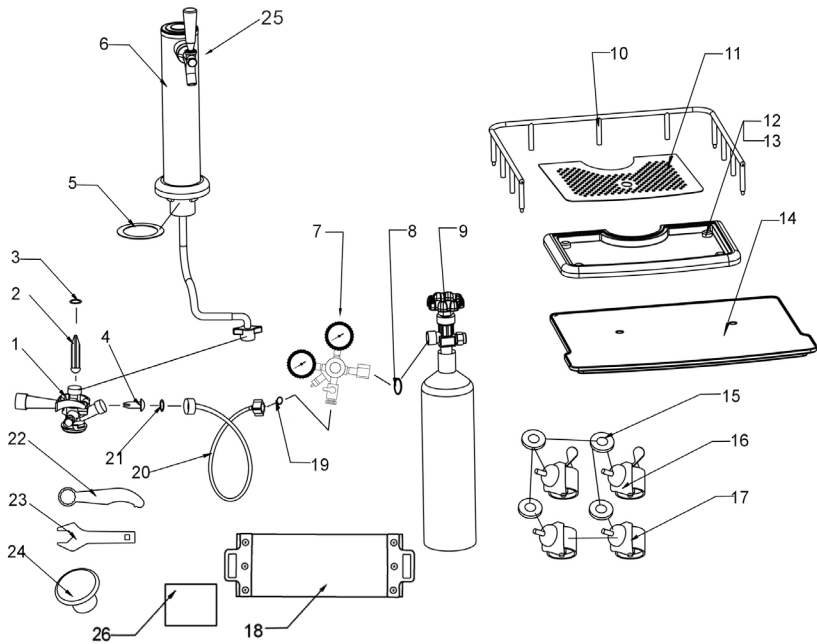
### **Regulating Keg**

1. Turn CO<sub>2</sub> tank valve counter clockwise to open.
2. Turn blue regulator valve  $\frac{1}{4}$  -  $\frac{1}{2}$  turn clockwise.
3. Within one minute, beer should begin to flow through the beer line.

*\* If beer is flowing too slowly, turn blue regulator valve counterclockwise until you receive the desired flow.*

*\*\* If too much foam dispenses, turn off all valves, pull pin on the side of the coupler (1) to release the pressure. Wait 30 minutes and repeat steps 1-3 under 'regulating keg.'*

# QUICK ASSEMBLY INSTRUCTIONS



Accessories	Qty	Accessories	Qty
1. Keg Coupler	1	14. Keg Base Board	1
2. Back Flow Stopper	1	15. Metal Washer	4
3. Rubber Washer	1	16. Caster Brake	2
4. CO2 Rubber Directional Washer	1	17. Casters	2
5. Beer Tower Washer	1	18. CO2 Tank Band	1
6. Beer Tower Tap/Beer Hose Assembly	1	19. Air hose Wing Nut Washer	1
7. CO2 Regulator	1	20. Air Hose	1
8. High Pressure Washer	1	21. Air Hose Connector Washer	1
9. CO2 Tank Valve	1	22. Beer Tap Wrench	1
10. Guard Rail	1	23. Regulator Wrench	1
11. Drip Pan Top	1	24. Beer Tower Hole Cover	1
12. Drip Pan	1	25. Beer Tapper	1
13. Rubber Foot	4	26. Extra Washers	



# **LIMITED MANUFACTURER'S WARRANTY**

---

## **LIMITED MANUFACTURER'S WARRANTY**

This appliance is covered by a limited manufacturer's warranty. For one year from the original date of purchase, the manufacturer will repair or replace any parts of this appliance that prove to be defective in materials and workmanship, provided the appliance has been used under normal operating conditions as intended by the manufacturer.

### **Warranty Terms:**

During the first year, any components of this appliance found to be defective due to materials or workmanship will be repaired or replaced, at the manufacturer's discretion, at no charge to the original purchaser. The purchaser will be responsible for any removal or transportation costs.

### **Warranty Exclusions:**

The warranty will not apply if damage is caused by any of the following:

1. Power failure
2. Damage in transit or when moving the appliance
3. Improper power supply such as low voltage, defective household wiring or inadequate fuses
4. Accident, alteration, misuse or abuse of the appliance such as using non-approved accessories, inadequate air circulation in the room or abnormal operating conditions (extreme temperatures)
5. Use in commercial or industrial applications
6. Fire, water damage, theft, war, riot, hostility or acts of God such as hurricanes, floods, etc.
7. Use of force or damage caused by external influences
8. Partially or completely dismantled appliances

### **Obtaining Service:**

When making a warranty claim, please have the original bill of purchase with purchase date available. Once confirmed that your appliance is eligible for warranty service, all repairs will be performed by a NewAir™ authorized repair facility. The purchaser will be responsible for any removal or transportation costs. Replacement parts and/or units will be new, re-manufactured or refurbished and is subject to the manufacturer's discretion.

For technical support and warranty service, please email [support@newairusa.com](mailto:support@newairusa.com).

## Free Manuals Download Website

<http://myh66.com>

<http://usermanuals.us>

<http://www.somanuals.com>

<http://www.4manuals.cc>

<http://www.manual-lib.com>

<http://www.404manual.com>

<http://www.luxmanual.com>

<http://aubethermostatmanual.com>

Golf course search by state

<http://golfingnear.com>

Email search by domain

<http://emailbydomain.com>

Auto manuals search

<http://auto.somanuals.com>

TV manuals search

<http://tv.somanuals.com>