



nextar

CAR STEREO WITH CD PLAYER

NCD60C

DEAR CUSTOMER:

Thank you for purchasing this car audio product.

Selecting fine audio equipment such as the unit you have just purchased is only the start of your musical enjoyment. Now it is time to consider how you can maximize the fun and excitement your equipment offers.

We hope you get the most out of your equipment by playing it at a safe level that lets the sound come through loud and clear without annoying blare or distortion, and, more importantly, without affecting your sensitive hearing.

Sound levels can be misleading. Over time your hearing "comfort level" adapts to higher volumes of sound. So, what sounds "normal" can actually be loud and harmful to your hearing.

Guard against this by setting your equipment at a safe level BEFORE your hearing adapts.

- To establish a safe level:

Start your volume control at the lowest setting, then slowly increase the sound until you can hear it comfortably and clearly, and without distortion.

- Once you have established a comfortable sound level:

Set the dial and leave it there.

Taking a minute to do this now will help to prevent hearing damage or loss in the future. After all, we want you listening for a lifetime.

• ABOUT THIS MANUAL

This product features a number of sophisticated functions ensuring superior reception and operation. All are designed for the easiest possible use, but many are not self-explanatory. This operation manual is intended to help you benefit fully from their potential and to maximize your listening enjoyment.

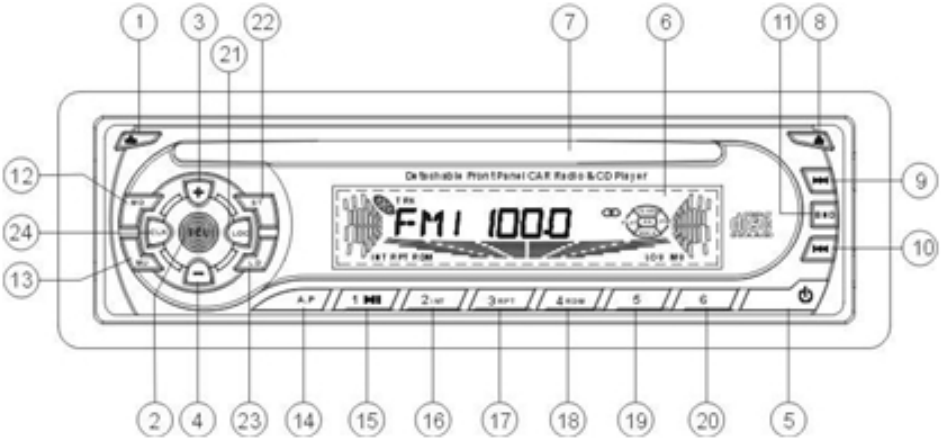
- We recommend that you familiarize yourself with the functions and their operation by reading through this manual before you begin using this product. The Basic Operation for each sound source is outlined at the beginning of its explanation, covering simple operation for that source, such as playing music.

Note:

In addition to normal audio CDs, this unit can play CD-R and CD-R/W disc that contain audio tracks. However, depending on the conditions of the recording equipment, the recording program, or the CD-R or CD-R/W disc itself, some CD-R or CD-R/W discs may not play.

When making music CDs with CD-R or CD-R/W discs, too high a recording speed may result in poor signal quality. It is therefore recommended to select a speed of 24x or lower for CD-R recording and 4x or lower for CD-R/W recording.

LOCATION AND FUNCTION OF CONTROLS



1. RELEASE BUTTON

Press this button to eject the front control panel from the main body.

2, 3 & 4. SEL BUTTON (Select) AND VOLUME (MENU) UP (+) / DN (-) BUTTONS

a) Press the SEL button briefly to select each of the following modes:

VOLUME -> BASS -> TREBLE -> BALANCE -> FADER ->

When the desired audio mode is selected, press the + or - button to adjust the value of that audio effect.

In each mode you have about 3 seconds to make your changes before the display returns to the tuner (radio) or CDP mode.

The different audio modes display the following numeric ranges:

- VOL: (MIN) 0, 01,49, 63 (MAX) .

- BASS/TREB: -7, -6,0,+6, +7

- BAL: 10L, 9L,0,9R, 10R

- FAD: 10F, 9F,0,9R, 10R

Note: If you preselect a preset EQ (Preset Equalizer Curves), you cannot change the BASS and TREBLE values.

b) Press the SEL button and hold it for more than 2 seconds to access the menu mode. Now press the SEL button briefly to select from the following options:

EQ (OFF / FLAT / CLASS / ROCK / POP) -> BEEP ON / OFF -> SEEK 1 / 2 -> 12 H / 24 H -> VOL LAST / ADJ .

DSP SETTINGS:

In EQ mode you can select from the equalizer settings DSP OFF, FLAT, CLASS, ROCK and POP by pressing the + and - buttons.

BEEP ON / OFF :

Turn the confirmation beep on or off by pressing the + or - button .

BEEP ON: The confirmation beep can be heard whenever a button is pressed.

BEEP OFF: The confirmation beep is switched off.

SEEK 1 / 2: (only available during radio operation)

In this mode you can select SEEK 1 / SEEK 2 by pressing the + or – button.

SEEK 1: Hold down the >> | or | << buttons and the radio will tune to the next station that is detected .

SEEK 2: As long as the >> | or | << buttons are pressed down, the search function will continue in the frequency band .

CLOCK FORMAT (24 H / 12 H):

In this mode you can select 24 HOUR or 12 HOUR clock format by pressing the + or – button.

VOL LAST / VOL ADJ:

In this mode you can select VOL LAST or VOL ADJ mode by pressing the + or – button.

VOL LAST: The radio turns on at the same volume as when it was last switched off.

VOL ADJ: By pressing the + or – buttons you can pre-select a constant switch-on volume in the VOL ADJ mode .

5. POWER ON / OFF

Turn the unit on by pressing any button except the RELEASE button on the faceplate. Press the POWER button to turn the power off .

6. LCD (Liquid Crystal Display)

7. CD SLOT

8. EJECT BUTTON

Press this button to eject the CD.

9 & 10. TUNE, SEEK, TRACK SKIP UP / DOWN BUTTONS

a) During RADIO mode:

Press the >> | or | << button briefly to tune to a frequency manually.

Press the >> | or | << button and hold for more than one second to start the automatic search for a radio station with a strong signal level.

(See also the SEEK 1 / SEEK 2 functions.)

b) During CD mode :

Press the >> | button briefly to play the next track. Press the | << button briefly to play the current track from the beginning.

Press the | << button twice to play the previous track .

Press and hold the >> | or | << button to skip forward or backward.

11. BAND BUTTON

Press the BND button briefly to select the radio broadcasting band you would like to hear. The AM / FM band is toggled cyclically through the tuning bands: FM 1 -> FM 2 -> FM 3 -> AM 1 -> AM 2 ->

12. MODE BUTTON

Press the MODE button to change between radio and CD (if a disc is loaded) mode.

13. MUTE BUTTON

This button turns the MUTED state on / off .

Press the MU button to mute the loudspeaker temporarily, and press again to resume listening. The muted state will be also released when the MODE, LOUD, SEL, + or – button on the front panel is pressed .

14. A.P BUTTON (Auto-storage / Preset station memory scan)

a) Automatic store preset station memory:

During radio mode, press the A.P button and hold for longer than one second to activate automatic station storage. The radio searches within the current frequency band, and the six strongest signal stations are allocated to the corresponding storage locations in each band. The stations that have now been stored will be played for approximately five seconds each, then the station storage location is set. Once the radio has finished the searching and storage, the preset channel number and frequency will appear on the display.

b) Automatic scan preset station memory:

After the A.P button has been pressed briefly, the radio will scan all pre-set stations in the current frequency band. In the FM band, FM 1, FM 2 and FM 3 are checked one at a time.

15–20. PRESET STATION MEMORY AND TOP, INT, RPT, RDM BUTTONS

a) During radio mode:

Pressing one of the six buttons briefly directly selects a preset radio station.

If any of the six buttons are pressed for more than 2 seconds, the station currently being listened to is memorized into the selected preset button.

b) During CD mode :

Press the TOP button briefly to interrupt the playback of the CD.

- Press again to resume normal playback of the CD.

- Press the TOP button and hold for approximately 2 seconds to play the first track of the current disc.

- Press the INT button to play the first 10 seconds of each track.

- Press again to stop the scan while the currently selected track will be played.

- Press the RPT button to play the current track repeatedly.

- Press again to cancel this function.

- Press the RDM button to play all tracks on the disc in random order.

- Press again to cancel this function.

21. LOCAL / DX BUTTON

Radio station search mode is divided by this LO / DX switch, which can be used to control an attenuator in the tuner during searching. The detecting level of seek, scan and auto-memory will be reduced based on the attenuated level of the tuner. In radio mode, press the LOC button to change to local or distance reception. Note: This button is only for FM reception. In AM mode, LOC is void .

22. ST / MO BUTTON

In radio mode, press ST briefly to select stereo or mono sound mode.

23. LOUDNESS BUTTON

Briefly press this button to turn LOUD mode on, which enhances the bass when the volume level is low. Press again to cancel the loudness effect.

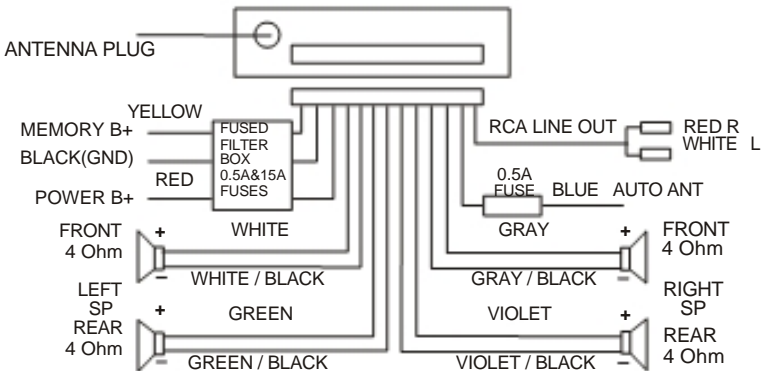
24. CLOCK BUTTON

Press the CLK button briefly to display time on the display.

Press the CLK button and hold until the HOUR flashes on the display, then press the + or – button to adjust the hour.

Press and hold the CLK button again until the MINUTE flashes on the display, then press the + or – button to adjust the minutes.

WIRING DIAGRAM



Note :

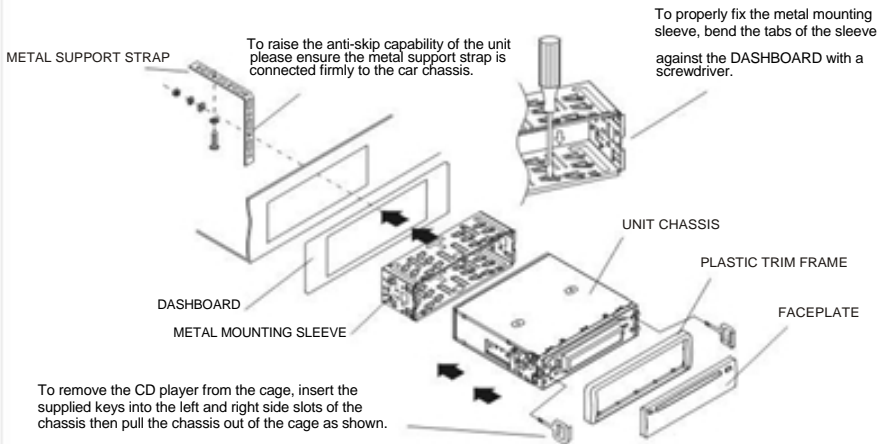
1. Make sure that you use speakers with 4 ohm load impedance .
2. Do not allow the auto antenna wire and ground to touch each other.

INSTALLATION METHOD

This is an anti-theft installation method.

The main unit wears a METAL MOUNTING SLEEVE.

Please connect the wiring, e.g., the Power Supply, the Speakers and the Antenna, according to the requirements of this Instruction Manual, then install the metal mounting sleeve into the car as per the diagram illustrated below.

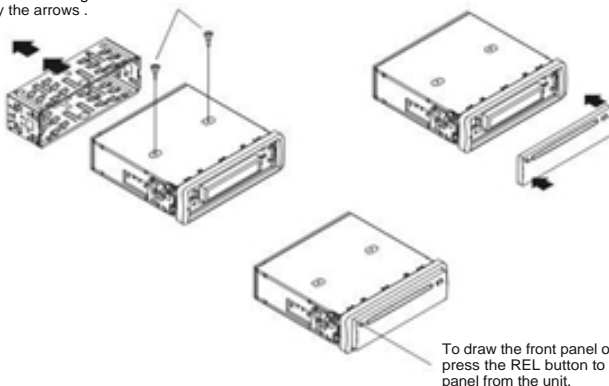


NOTE

Before installing and operating the Unit, remove the metal mounting sleeve illustrated by the arrows .

Remove the two screws that protect the CD player during transportation before operating the player.

To attach the removable faceplate, insert the right side of the faceplate into the right side of the CD player chassis first. Then push the left side of the faceplate into the chassis until you hear it click.



DISC PRECAUTIONS:

Cleaning the CD:

Before playing a CD, wipe it with a clean, dust-free cleaning cloth. Wipe the disc in the direction of the arrow.



Always insert the CD with the label side facing upwards. If the CD is inserted with the printed side facing downwards, the device may be damaged.



Note: If there is already a CD in the CD slot, do not try to insert a second CD, for this may damage the device.

Always hold CDs by the edge. In order to keep the CD clean, do not touch the surface. Remove the CD as follows:



Do not attach any stickers or adhesive tape to the CD.

Do not expose the CD to direct sunlight or sources of heat such as heating pipes. Do not leave CDs in the car if it parked in direct sunlight, as this will lead to a considerable rise in the temperature inside the car.

Note: Do not use solvents such as petrol or thinning agents to clean CDs. Commercially available cleaning substances or antistatic spray will damage the device.

TROUBLE SHOOTING

Before using this checklist, please make all the connections first. If you still have questions after going through the checklist, please consult your local customer service representative.

Common Symptoms	Cause	Solution
There is no power.	The car ignition is switched off.	If the power supply is properly connected to the car accessory, switch the ignition key to "ON" or "ACC".
	The fuse has blown.	Replace with another fuse according to the wiring diagram.
The CDs cannot be loaded.	Presence of CD inside the player.	Remove the disc in the player, then put in a new one.
The CDs are loaded only halfway into the CD tray.	The transport screws have not been removed.	Remove the transport screws before use.
The device does not work correctly. (EJECT, LOAD, PLAY)	The disc has been inserted upside down.	Insert the compact disc with the label facing upward.
	The surface of the CD is extremely dirty or damaged.	Clean the CD or try another CD. If this works correctly, the first CD is probably damaged.
	Temperature inside the car is too high.	Cool off until the ambient temperature returns to normal.
There is no sound.	The volume control is set too low.	Turn up the volume to an audible level.
	The device has not been correctly connected.	Check the power and earth connection according to the wiring diagram.
The operation keys do not work.	1. The built-in microcomputer is not operating properly due to noise. 2. The front panel is not properly in place.	1. Switch the device off and on again. Or, press the RESET button to resume the program. 2. Reinstall the front panel. Adjust the installation angle to less than 30 degrees.
The CD player skips.	The installation angle is more than 30 degrees.	Wait until the road becomes smoother before playing the CD.
	The surface of the road is uneven.	Clean the CD or try another CD. If this works correctly, the first CD is probably damaged.
	The surface of the CD is extremely dirty or damaged.	
No radio reception.	The antenna cable is not connected.	Insert the antenna cable firmly into the antenna socket of the device.
In automatic search Mode, the radio does not stop at a transmitting station.	The transmission signals are too weak.	Tune in to a radio station manually.

SPECIFICATIONS

GENERAL

Supply Voltage	DC 12V. Negative Ground
Current Consumption	Max.15A
Power Output	40W X 4 (Measured at DC 14.4V)
Unit Dimensions	178[W] X 165[D] X 50[H] mm.

FM SECTION

Frequency range	87.5MHz – 107.9MHz
Effective sensitivity	3uV.
I.F Frequency	10.7MHz.

AM SECTION

Frequency range	530KHz – 1710KHz
Effective sensitivity	40dB.
I.F Frequency	450KHz

RCA LINE OUT

Output	CD Max. 1200mV
--------	----------------

CD PLAYER

System	Compact Disc Audio System
Suitable CDs	CD, CD-R, CD-RW Disc
Signal format	Sampling frequency 44.1KHz
Frequency characteristics	No. of quantization bits 1bit
	20Hz – 100Hz < 5dB
	10KHz – 20KHz < 5dB.
S/N Ratio to CD	50dB [1KHz]
Number of channels	2 STEREO channels.

Free Manuals Download Website

<http://myh66.com>

<http://usermanuals.us>

<http://www.somanuals.com>

<http://www.4manuals.cc>

<http://www.manual-lib.com>

<http://www.404manual.com>

<http://www.luxmanual.com>

<http://aubethermostatmanual.com>

Golf course search by state

<http://golfingnear.com>

Email search by domain

<http://emailbydomain.com>

Auto manuals search

<http://auto.somanuals.com>

TV manuals search

<http://tv.somanuals.com>