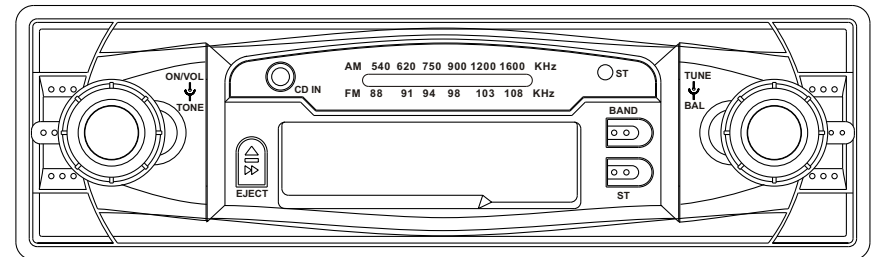
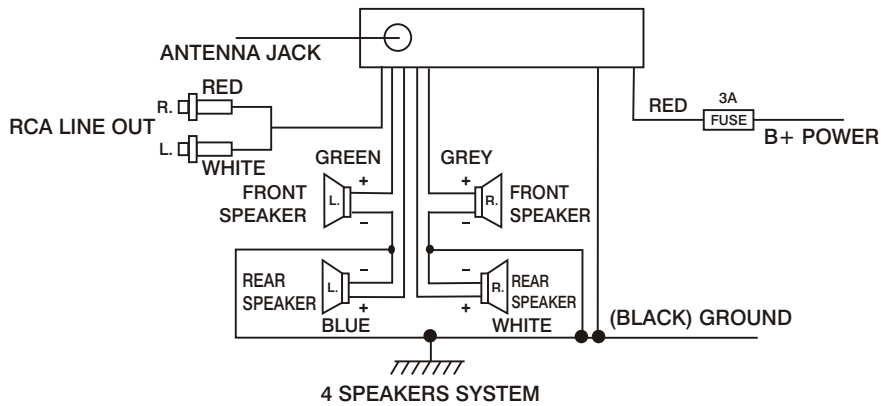


WIRING DIAGRAM



NOTE:

Speakers with a load impedance less than 4 ohms could damage this device.
 If you have 2 speaker system, make sure use a speaker with 4 ohm load impedance;
 If you have 4 speaker system, make sure use a speaker with 8 ohm load impedance to reduce the distortion during high volume level.

SPECIFICATION

GENERAL

Power Supply Requirements.....DC 12Volts. Negative Ground
 Dimensions (SET).....178(W) X 111(D) X 45.5(H) mm

FM SECTION

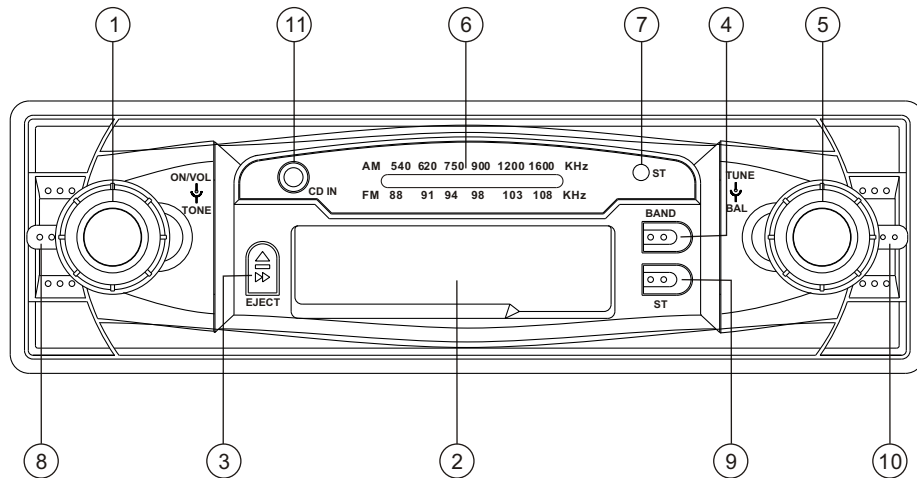
Frequency Range.....88MHz - 108MHz

AM SECTION

Frequency Range.....530KHz - 1700KHz



LOCATION AND FUNCTION OF CONTROLS



1. POWER ON/OFF AND VOLUME CONTROL

Rotate the VOL knob clockwise to turn the power ON; go on rotate to increase the volume level. Rotate the VOL knob counter-clockwise to decrease the volume level; go on rotate to turn the power off.

2. CASSETTE TAPE DOOR

In RADIO mode, insert a cassette into this slot, the tape playback starts automatically.

3. EJECT KEY

In TAPE mode, push this key halfway to fast forwards, and push it fully in to stop tape playback and release cassette tape. The car radio cassette player will automatically go into radio mode.

4. BAND SELECTOR BUTTON

Press the BAND button toggles AM / FM reception.

5. TUNING CONTROL

Rotate this control at radio mode to select your desired radio broadcasting station within AM/FM.

6. ANALOGUE FREQUENCY DISPLAY

7. LED INDICATOR

8. TONE BUTTON

Rotate the outer handle button to adjust the tone effect.

9. ST/ MO BUTTON

This operation is effective on FM reception only. In RADIO mode, press this button to change between mono or stereo sound effect. The ST LED indicator will light up indicating the status of stereo mode while there is a strong signal from an FM station that is broadcasting in stereo. Mono improves the reception of the distant stereo FM stations.

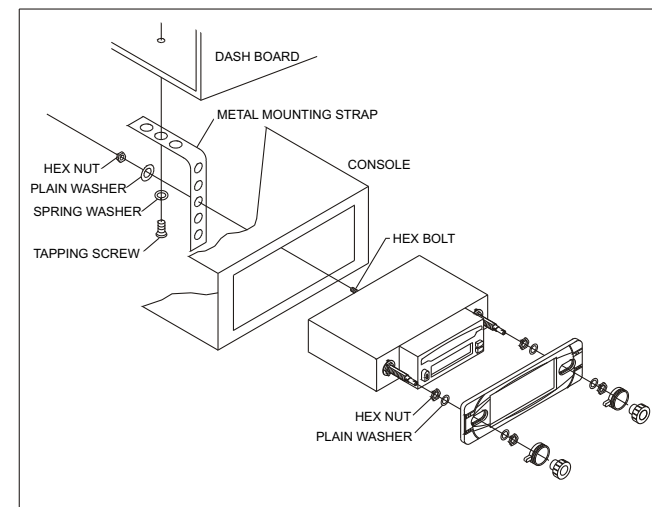
10. BALANCE CONTROL

Rotate the outer handle to adjust the audio output balance of left and right speaker.

11. CD INPUT JACK

The car radio cassette player can be connected to a portable CD player through this jack.

INSTALLATION



Free Manuals Download Website

<http://myh66.com>

<http://usermanuals.us>

<http://www.somanuals.com>

<http://www.4manuals.cc>

<http://www.manual-lib.com>

<http://www.404manual.com>

<http://www.luxmanual.com>

<http://aubethermostatmanual.com>

Golf course search by state

<http://golfingnear.com>

Email search by domain

<http://emailbydomain.com>

Auto manuals search

<http://auto.somanuals.com>

TV manuals search

<http://tv.somanuals.com>