

ITEM# MD1007P

7" TFT Color Display Flip Down Monitor with DVD Player



INSTRUCTION MANUAL

nextar[™]



TABLE OF CONTENTS

Important Caution and Safety Notices	2
Driver Safety	2
Notable Features	3
Description and Functions	4
LCD Panel	4
DVD Player	5
Remote Control	6
System Setup and Connections	9
Language Setup	9
Picture Setup	11
Lockup Setup	11
Other options	12
System Connections	14
Programming Operations	15
Troubleshooting Guide	16
Accessories	18
Main Specifications	18
National Code of DVD	19
Language Code of DVD	20

Welcome and thank you for purchasing the Nextar mobile DVD system. We hope this product provides satisfaction to all your entertainment needs. Here are some of the features you will be able to enjoy in your vehicle; DVD/Video CD/ Audio CD/MP3/JPEG/CD-R/CD-R/W/WMA. Please read this instruction manual carefully and save it for future reference.

ITEM# MD1007P

IMPORTANT CAUTIONS AND SAFETY NOTES

- Notice: This player has a laser system installed. Please use caution during usage.
- Please take note and use all caution terms of this manual.
- To prevent fire or shock hazards, do not expose this unit to any damp or moisture environments.
- Do not remove the cover of this player as you will be exposed to high voltage wiring. In the event of repairs please contact your local authorized repair services who are familiar with DVD systems.
- Please avoid direct eye contact with the laser of the unit as it may cause harm to your eyes.
- In order to avoid a shock hazard do not touch the player if your hands are wet.
- If dew sets in this unit it will cause damage to the player. Before installation please make sure the unit is placed in a well ventilated are
- If your car was parked under direct sunlight please allow the player to cool down before operation.
- Please install this unit in a position where passengers are not affected by sudden stops.

Driver Safety

- Please follow all instruction and traffic regulations while driving your vehicle. Never make any adjustments while driving. We strongly recommend you pull over to a safe location to make any adjustments.
- Driver should refrain from watching or operating this player while operating the vehicle.
- Driver should refrain from using any type of headphones while operating the vehicle.
- Install this player in a position where the driver is completely unaffected from any distractions.

ITEM# MD1007P

NOTABLE FEATURES

Nextar's Car DVD system comes with a 7" inch TFT LCD (16:9/4:3) color monitor. The DVD player can play your pre packaged DVD's, and these formats as well; Super VCD/Video CD/ Audio CD/MP3/JPEG/CD-R/CD-R/W/WMA. Please use 12V for the best performance results. The screen is a high horizontal definition up to 500 lines, using MPEG2 coding. It has the ability to zoom out of the picture by 1 or 2 times to enjoy a more detailed picture. The DVD content can display English, Chinese, and Japanese. The language for dialogue can be displayed in more than 32 languages. This player usually takes the place of your dome light, which is why reading lamps are on your player.

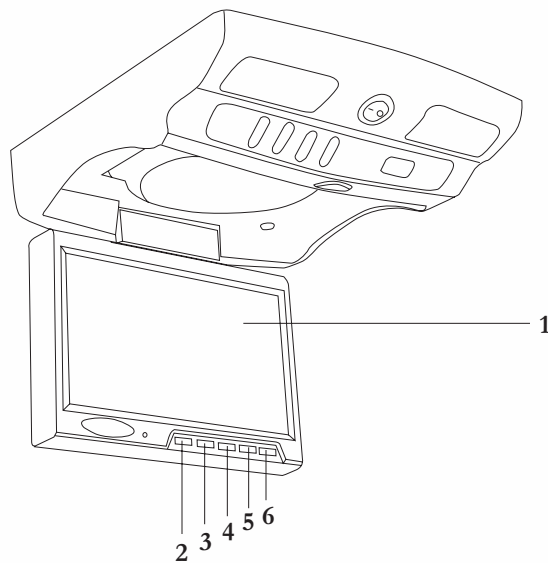
The player comes equipped with Dolby Digital system developed by Dolby Laboratories. DTS Digital surround sound developed by Digital Theater Systems, Inc. Simulative audio output enables the player to connect to any other amplifier equipment. Video input and output, enables the player to input video signal or output video signal to other display equipment.

Special functions enable you to use this player easily. You are able to fast forward, fast backward, slow play, repeat play, and program play while disc is being viewed. This will help you find or rewind the media being played or viewed. A great feature this player has the Memory play. It can memorize the point which the media stopped and upon start up it will continue from your last viewing point.

ITEM# MD1007P

DESCRIPTION AND FUNCTIONS

In this section we will identify the buttons and some of the functions that are associated with the screen and player. Please look over this section to get familiar with your entire unit.



LCD Panel

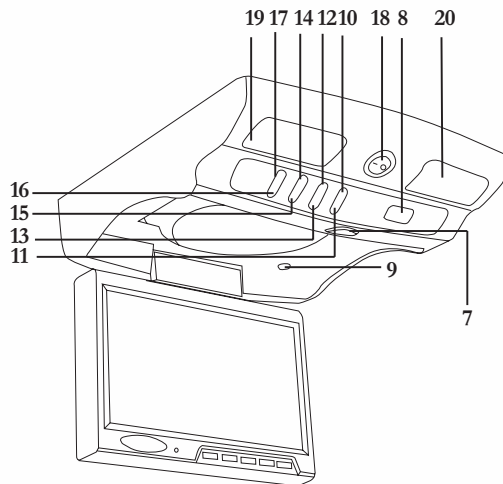
1. TFT LCD 7" Panel
2. Power – Powers up the screen only.
3. 16:9 / 4:3 – Changes the view ration on the screen.
4. Left
5. Right
6. Menu – Use for panel settings. Press this button once and the LCD panel will show Brightness, Color, Contrast, AV1/AV2, and 16:9/4:3. Use the LEFT and RIGHT buttons to make your selection.

ITEM# MD1007P



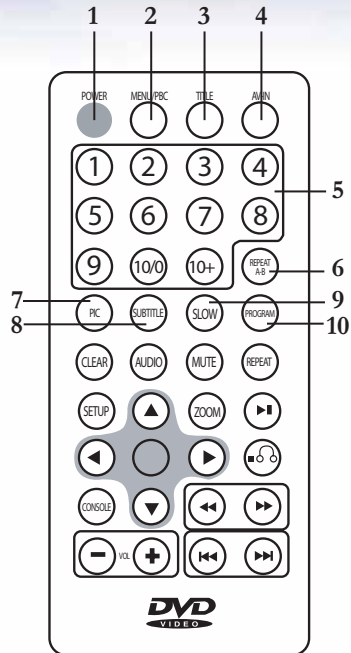
DVD Player

- 7. Panel Open – Push this to unlock the DVD player. Once the screen releases push back to desired adjustment.
- 8. DVD Power – Powers up the player only.
- 9. Open – Press this to open the door to the player and load a disc.
Makes sure the disc is clean before loading. Do not touch the lens of the player



- 10. Play/ Pause – Plays the disc or holds it until you want to continue.
- 11. Stop – Stops disc while playing
- 12. Audio Switch
- 13. Menu - Use for player settings.
- 14. Backward
- 15. Forward
- 16. Next Program
- 17. Last Program
- 18. Head Lamp Switch
- 19. Head Lamps
- 20. Remote Control Infrared Receiver

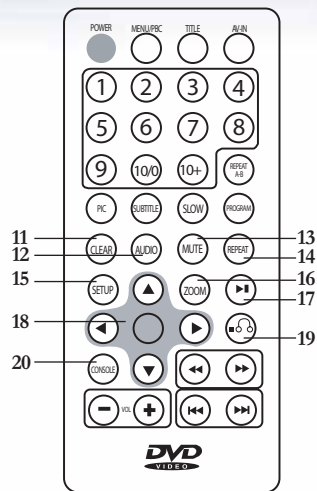
ITEM# MD1007P



Remote Control

1. Power ON/OFF – Press this to power the DVD.
2. Menu/ PBC (Play Back Control) – When playing a disc and the system is setup to repeat it will carry out the set PBC. If the PBC is turned off use the menu operation buttons to select your setting.
3. Title – Press this button to enter into DVD, VCD, OSD menu, use the Menu Operation arrows to select your settings.
4. AV-IN – Press this button to switch between Video/Audio Internal and External.
5. Number pad – The number pad can be used in the OSD menu. This function can be used when PBC function is off.
6. Repeat A-B – When playing a disc, press this button once to set point A, continue through the program and press this button again to set point B. The player will replay between your settings.
7. PIC – Press this button to show the Brightness Menu, in press up or down arrows to switch between Color, Brightness, and Contrast adjustments. Press right or left arrows to increase or decrease the Color, Brightness, and Contrast.
8. Subtitle – Press Subtitle button to switch this function on or off. This function is only available on the discs that have multi-language options and you're able to select more than 32 kind.
9. Slow – Press this button to slow down the speed of playing. Normal, 1/8, 1/16, 1/32.
10. Program – The detail is subject to the program.

ITEM# MD1007P



11. Clear – Press this button to cancel or clear an action.

12. Audio Switch – Press this button to transform between Left, Right, and Stereo sound.

13. Mute – Press this button to disable sound.

14. Repeat – Press this button to repeat the program, disc title, or a whole chapter.

15. Set up – Setup for DVD system includes language, audio, video, lock, and other functions.

16. Zoom – Mode for zooming out of the picture. Press the arrow buttons to make adjustments.

17. Play/Pause – Play will allow player to view the disc and pause will hold until released.

18. Menu Operation Arrows – Up, Down, Left, Right, and Enter. Give direction and confirmation.

19. Stop – Press once to pre-stop, press again to stop playing, press three times to enter into display memory.

20. Console –

A. Use this button when working out the title, chapter, angle, time, language, caption; sound track will be displayed on the screen. Set up will be available according to the functions mentioned. (Use Menu Operation Arrows to setup.)

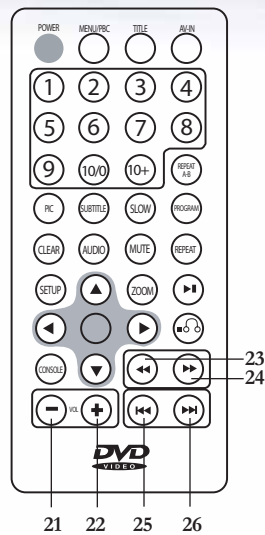
B. Display. Press this button to show the display time of the current disc. Press up or down arrows to shift the cursor. __: __: __ (Hour/ Minute/ Seconds) will display when the cursor is on the time title.

C. Angle. Press this button to select different angle positions.

D. Picture. Press left and right arrows to switch.

E. Search. Press this button to skip to appointed times on the disc playing. Press up and down arrows to enter into submenu. When the cursor is on "Time Searching" title, input the time as per __: __: __ (Hour/ Minute/ Seconds)

ITEM# MD1007P



- 21. VOL (-) – Decreases the volume.
- 22. VOL (+) – Increases the volume
- 23. Backward – Press it to go back in 2, 4, 16, or 100 times of normal speed.
- 24. Fast Forward – Press this button to go forward in 2, 4, 16, 100 times of normal speed.
- 25. Last Program – Press this button to play back one chapter.
- 26. Next Program – Press this button to play next chapter.

ITEM# MD1007P

SYSTEM SETUP AND CONNECTIONS

In this section we will go over the connections and set up of the DVD unit.

Language Setup

The system of this DVD player is composed of Language, Picture, Audio, Lockup, and other functions. Press the key Setup to enter into the system interface. The first item is Language setting. To select the next item use the left or right arrow buttons.

1. *Menu Language* – when the cursor is in the language menu, access the submenu by pressing the down key. Now you can select the language in the submenus one by one using the up or down key. Pressing the right key will decide the submenu. After entering the submenu the items are displayed on the screen. The menu can be switched into English, Chinese, and Japanese if it's available on the disc. Once you have made your decision press enter to confirm.
2. *Disc Audio* – Enter the audio submenu of the disc and the following choices will be displayed.
 - A. Original – disc will play in default mode.
 - B. English, Spanish, German, Italian, Portugal, Greek, French, Chinese – When any of these items are selected audio will playback in this language if available on the disc. Audio will play back in original format if not available on the disc.
 - C. Other Languages – When the cursor is at this item, you may key in 4 digits to enter an audio system of another country. The numbers keyed in will display from right to left. If a fifth number is keyed in the first four numbers will be deleted and the fifth one will be left on the screen. If there is no audio options available on the DVD playback will go to default.



3. *Disc Text* – These are the following options available for the disc text.
- A. Original – disc will display text in default mode.
 - B. English, Spanish, German, Italian, Portugal, Greek, French, Chinese – When any of these items are selected text will display in this language if available on the disc. Text will display in original format if not available on the disc.
 - C. Other Languages – When the cursor is at this item, you may key in 4 digits to enter a text system of another country. The numbers keyed in will display from right to left. If a fifth number is keyed in the first four numbers will be deleted and the fifth one will be left on the screen. If there is no text options available on the DVD will be displayed at default.



Picture Setup

Select Picture in the main menu and press the down key to enter into the submenu. There are two options in this submenu TV Landscape (16:9) and TV output (NTSC).

Lockup Setup

Select Picture in the main menu and press the down key to enter into the submenu.

1. *Grading* – Press setup to enter the main menu press key right arrow to go to lock up menu. Press down arrow and the cursor will move to the submenu, press the right arrow again. A bar for new password will appear, key in a four digit number and press enter, a password confirmation will display, type in the new password and press enter to confirm it. If they are not matched the password confirmation will remain open on the screen. If matched a lower grade option appears press up or down arrows to select grades, press enter to confirm. Use the left arrow key to exit.
2. *Password* – Use down arrow to select password, press right arrow key to call out the password bar, input the original password and press confirm. Then you get a new password bar, input your new password and press enter, enter the password a second tie to confirm. Press left arrow to exit.
3. *National Code* – Press right arrow key to select National Code menu. If password has been set up, input the password and open the national code page. (Please refer to appendix.)



Other Options

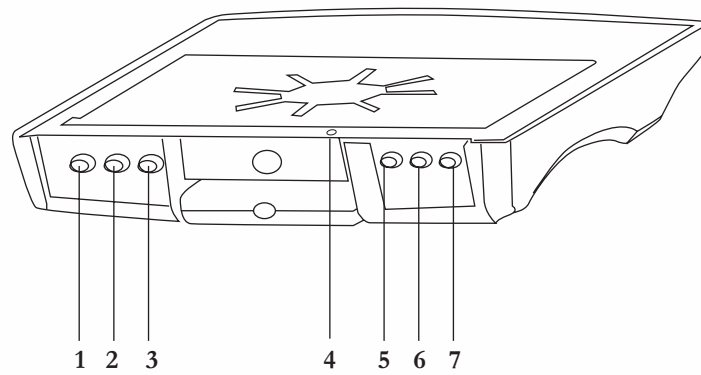
Enter the main menu to select other settings.

- A. Move BC cursor to the main menu, press the PBC setup. Move the cursor to open /close and enter. When it is open the Menu/PBC button on the remote control has the function of PBC fly backward. When the disc menu displays, you may select the chapter of songs or DVD markers. When it is closed, remote control PBC has no fly backward function, but is able to select chapters for playback.
- B. Auto Playback –move the cursor to the to submenu open, press enter to finish the setup. When this is open the player will playback when the operation is complete. When auto playback is closed the player will stop operation and not playback unless you press play.
- C. B.LE - Select the B.LE submenu by pressing the arrow keys, B.LE is the extension. Setting the B.LE to open will make the image dark grey. Setting it to close will make the image standard grey.
- D. Reset – will resume back to the factory settings.
- E. Screensaver – Move the cursor to screen saver and press right arrow key and select open or close. Then press enter to finish the setting. When the screensaver is set to open the screen saver will run if the player has no disk and is idle for three minutes. If set to close the screen saver will not run at all.
- F. Memory Playback – Select memory playback by using the arrows in the main menu and then press right arrow to move the cursor to the open position. Press the arrow up or down to move the cursor to the close position. Press enter to confirm and enter again to close the memory playback.

ITEM# MD1007P



External Video and Audio connection

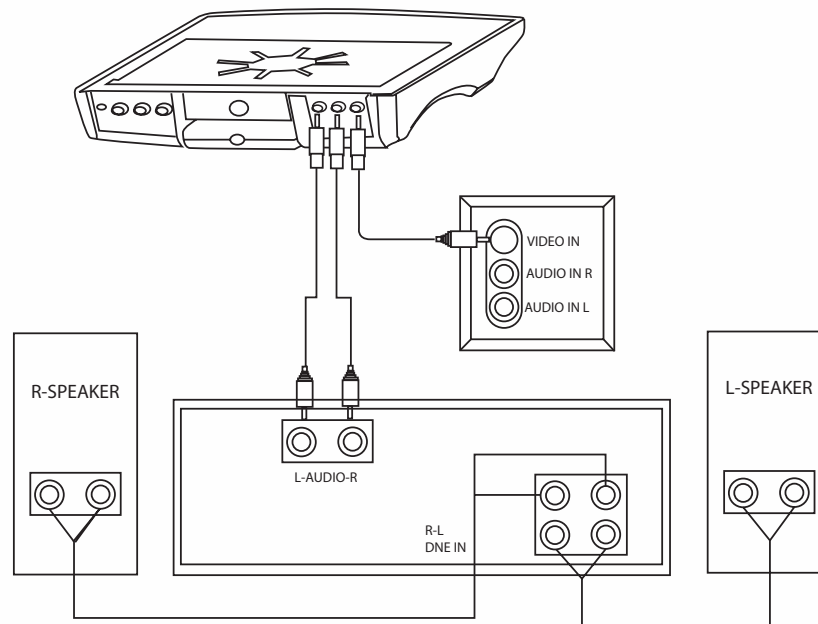


1. Left audio input
2. Right audio input
3. External video input
4. DC 12V input
5. Left audio output
6. Right audio output
7. Video output

ITEM# MD1007P



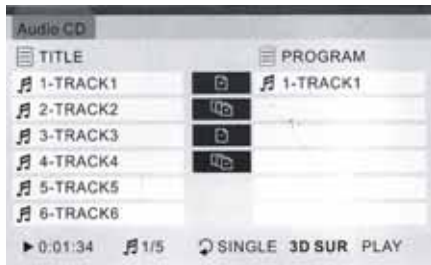
DVD Video/Audio external connections and display.



Note: The red and white connections are right and left audio feeds. Connect R-Audio-L. The yellow connection is for the video feed. Video-In.

ITEM# MD1007P

PROGRAMMING OPERATIONS



VCD/MP3/WMA/Audio CD.

Press setup to enter into the main menu. Press Program to get to the program menu move the cursor and select chapters by using the up and down arrows. Press right arrow to ADD, once completed press enter and the selected chapters will be

added to the programming list. When there are chapters selected in the programming list you may delete one at a time or delete all. When completed press enter or play to playback your programmed chapters.

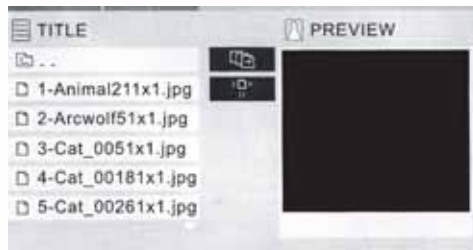


Photo Show (Applicable to JPEG's) – You can enjoy high quality images that are placed on a disc. Insert a photo disk and set the DVD player to Auto Playback.

When the cursor is at the JPG file icon you will be able to preview the thumbnail on the right side. You may select pictures you want to view by moving the cursor with the up and down arrow keys. Press play/enter to begin the picture show. If a chapter list is available press enter to switch the playing path.

When the cursor is at presentation edition zone, "Presentation Projection" displays in the right corner of the screen. You have the ability to change the projecting speeds and functionality menu. SPEECL button. When the cursor is at the SPEECL button you can change the projecting speed by pressing the right and left arrows. They are classified by four levels Stand by, Slow, Medium, and Fast.

ITEM# MD1007P

TROUBLESHOOTING GUIDE

1. Power Supply

- If there is no power, please check the power cord connections.
- Check DVD player signal cables if the connection is sound or not.
- Replace the video cable if they are damaged.
- Make sure connection at the video input port on DVD Player is good.
- Make sure the power supply is in normal.
- Make sure the selection of video input mode of TV SET is correct.

2. No Sound

- Check connection the DVD Player, TV Set or amplifier to see if it is connected.
- When connecting the DVD Player to amplifier, make sure the amplifier is open and setting is proper.
- If the audio cables are damaged, replace it with new ones.
- If DVD Player is set as standby or slow playback, press PLAY to resume normal Playback Mode.
- When DVD Player is fast forwarding or rewinding back, press PLAY to resume normal Playback Mode.
- If DVD Player is at state of System Setup, programming playback Menu, press system setup button and programming playback button to start programmed playback. Or you press PLAY to resume normal Playback Mode.
- Check if DVD Player is at mode of "MUTE", press "MUTE" to resume sound.
- Check if DVD Player is at mode of digital output "Closed"
- While DVD Player is playing back SVCD that has no sound track2 and SOUND 5.1 mode is selected, but there is no sound is playing, please activate the console menu, and select SOUND 5.1 and play back the SVCD.

3. No Stereo When Playing Back Video CD or CD.

- Make sure all connections are proper
- Make sure the sound track is set as "stereo playback".

ITEM# MD1007P

4. Operation Remote Controller Unavailable
 - Clean or move the obstacle between remote controller and the player.
 - Close up to player to operate the remote controller.
 - Aim the remote controller at the sensor of remote controller
 - Re-install with new battery.
5. No Disk
 - When “No Disk” display on screen, please put in the disk firstly.
 - Make sure put the right side on the tray.
 - Clean the disk.
 - If Player is moist, the right way is to take out the disk and meanwhile connecting with power for 30 minutes till the player do not have any humidity.
 - Select program-operation, random play, repeat play, and select the corresponding method to eliminate (Reference to the operation instruction foregoing).
 - Title menu or DVD menu will appear on the screen automatically when playing DVD. Menu picture appears on the screen when play the video CD with PBC function.
6. Stop Display Automatically
 - Some of disk recorded the pause signal; the player will stop to play in the point or segment.
7. Note
 - The player should be cleaned after unplug, and weep cover. PBC board or controller with soft cloth with neutral detergent, other methods is prohibited.
8. Cautions
 - Dew will coagulate on the glass in the unit under the following conditions
 - *transfer the unit from warm place to cold place suddenly, or use the unit in a moist place.
 - Use the unit in the room where the air-conditioner is turn on just now, or the unit face to the cool air of the air-conditioner.
 - In hot summer, transfer the unit from the room with air condition to a moist and high-temperature. Player is unavailable if it has the dew, please take out the disk and connect the power, keep it there for 2 hours to vaporize the dew.

ITEM# MD1007P

ACCESSORIES

- DVD Unit
- Remote Controller
- Instruction Manual
- Screw
- Fixed Board

MAIN SPECIFICATIONS

POWER CONSUME PTION	<30W
AUDIO FREQUENCY	20HZ ~ 20KHZ ± 3DB
SIGNAL – NOISE RATIO	>60DB
SYSTEM	AUTO/PAL/NTSC
POWER	DC12V/2A 12V CAR ADAPTOR
COMPATIBLE	DVD/VCD/CD/CDR/MP3/WMA/JPG
SPEAKER	8_/1W
VIDEO OUTPUT	1VP-P±20% RESISTANCE 75_
MEASUREMENT	255 (W) X65(H) X200(D)MM
WEIGHT	1300G
DEFAULT CODE	3351

Special Remarks:

Region code of this unit is presented at compatible code – “0”. Press MEN/PBC on the remote controller and space followed by “1” & “9”, the system information and region code of this unit will be shown.

ITEM# MD1007P

NATIONAL CODE OF DVD

COUNTRY	CODE	COUNTRY	CODE
Afghanistan	AF	Romania	RO
Argentina	AR	Russian Federation	RU
Australia	AU	France	FR
Austria	AT	Germany	DE
Begium	BE	Great Britain	GB
Bhutan	BT	Greece	GR
Bolivia	BO	Greenland	GL
Brazil	BR	Hong Kong	HK
Combodia	KH	Hungary	HU
Canada	CA	India	IN
Chile	CL	Indonesia	ID
China	CN	Israel	IL
Colombia	CO	Italy	IT
Congo	CG	Jamaica	JM
Costa Rica	CR	Japan	JP
Croatia	HR	Kenya	KE
Czech Republic	CZ	Kuwait	KW
Denmark	DK	Libya	LY
Ecuador	EC	Luxembourg	LU
Egypt	EG	Saudi Arabia	SA
El Salvador	SV	Senegal	SN
Malaysia	MY	Singapore	SG
Maldives	MV	Slovak Republic	SK
Mexico	MX	Slovenia	SI
Monaco	MC	South Africa	ZA
Mongolia	MN	South Korea	KR
Morocco	MA	Spain	ES
Nepal	NP	Sri Lanka	LK
Netherlands	NL	Sweden	SE
Netherlands Antilles	AN	Switzerland	CH
New Zealand	NZ	Taiwan	TW
Nigeria	NG	Thailand	TH
Norway	NO	Turkey	TR
Oman	OM	Uganda	UG
Pakistan	PK	Ukraine	UA
Panama	AF	United States	US
Paraguay	AR	Uruguay	UY
Philippines	AU	Uzbekistan	UZ
Poland	AT	Vietnam	VN
Portugal	BE	Zimbabwe	ZW

ITEM# MD1007P

LANGUAGE CODE OF DVD

COUNTRY	CODE	COUNTRY	CODE
Abkhazian	6566	Sindhi	838
Afar	6565	Singhalese	8373
Afrikaans	6570	Dutch	7876
Albanian	8381	English	6978
Ameharic	6577	Esperanto	6979
Arabic	6582	Estonian	6984
Armenian	7289	Faroese	7079
Assamese	6583	Fiji	7074
Aymara	6588	Finnish	7073
Azerbaijani	6590	French	7082
Bashkir	6665	Frisian	7089
Basque	6985	Galician	7176
Bengali; Bangla	6678	Georgian	7565
Bhutani	6890	German	6869
Bihari	6672	Greek	6976
Breton	6682	Greenlandic	7576
Bulgarian	6671	Guarani	7178
Burmese	7789	Gujarati	7185
Byelorussian	6669	Hausa	7265
Cambodian	7577	Hebrew	7387
Catalan	6765	Hindi	7273
Chinese	9072	Hungarian	7285
Corsican	6779	Icelandic	7383
Croatian	7282	Indonesian	7378
Czech	6783	Interlingua	7365
Danish	6865	Irish	7165
Pashto, Pushto	8083	Italian	7384
Persian	7065	Japanese	7465
Polish	8076	Slovak	8375
Portuguese	8084	Slovenian	8376
Quechua	8185	Somali	8379
Rhaeto-Romance	8277	Spanish	6983
Rumanian	8279	Sudanese	8385
Russian	8285	Swahili	8387
Samoan	8377	Swedish	8686
Sanskrit	8365	Tagalog	8476
Scots Gaelic	7168	Tajik	8471
Serbian	8382	Tamil	8465
Serbo-Croatian	8372	Tatar	8484
Shona	8378	Telugu	8469

ITEM# MD1007P

COUNTRY	CODE	COUNTRY	CODE
Thai	8472	Marathi	7782
Tibetan	6679	Moldavian	7779
Tigrinya	8473	Mongolian	7778
Tonga	8479	Nauru	7865
Javanese	7487	Nepali	7869
Kannada	7578	Norwegian	7879
Kashmiri	7583	Oriya	7982
Kazakh	7575	Panjabi	8065
Kirghiz	7589	Turkish	8482
Korean	7579	Turkmen	8475
Kurdish	7585	Twi	8487
Laothian	7679	Ukrainian	8575
Latin	7665	Urdu	8582
Latvian, Lettish	7686	Uzbek	8590
Lingala	7678	Vietnamese	8673
Lithuanian	7684	Volapk	8679
Macedonian	7775	Welsh	6789
Malagasy	7771	Wolof	8779
Malay	7783	Xhosa	8872
Malayalam	7776	Yiddish	7473
Maltese	7784	Yoruba	8979
Maori	7773	Zulu	9085

Free Manuals Download Website

<http://myh66.com>

<http://usermanuals.us>

<http://www.somanuals.com>

<http://www.4manuals.cc>

<http://www.manual-lib.com>

<http://www.404manual.com>

<http://www.luxmanual.com>

<http://aubethermostatmanual.com>

Golf course search by state

<http://golfingnear.com>

Email search by domain

<http://emailbydomain.com>

Auto manuals search

<http://auto.somanuals.com>

TV manuals search

<http://tv.somanuals.com>