

# STAGE FRONT

HOME THEATER SOLUTIONS™

INSTALLATION GUIDE



**Pro1770LCR ■ Pro2770LCR ■ Pro1870LCR ■ Pro2870LCR**

PROFESSIONAL QUALITY, COMPACT,  
LEFT/CENTER/RIGHT CHANNEL LOUDSPEAKER

ENGINEERED BY



Download from [www.Somanuals.com](http://www.Somanuals.com). All Manuals Search And Download.

## CONGRATULATIONS!

Thank you for choosing a superior **StageFront Home Theater Solutions™ Cabinet LCR** loudspeaker from Niles. With proper installation and operation, you should enjoy years of trouble-free use.

Niles manufactures the industry's most complete line of custom installation components and accessories for audio/video systems. To see the complete Niles product assortment, visit us on the Internet at: [www.nilesaudio.com](http://www.nilesaudio.com)

## TABLE OF CONTENTS

Introduction	1
Features and Benefits	2
Installation Considerations	3
Loudspeaker Placement	4
Finishing the Installation	7
Operation	10
Specifications	11
Limited Warranty	12
Warranty Registration Card	13

## INTRODUCTION

The StageFront Home Theater Solutions Loudspeakers are expressly designed for superior sonic quality in home theater applications. Each model employs advanced technology components that extract the subtle nuances in recorded music or the thunderous action sound in a movie. Models ending in "LCR" are intended primarily for front channel left/center/right placement or wherever a monopole design is required. Models that end in "FX" are designed for special effect placement. StageFront models are the perfect choice wherever quality of sound is the most important consideration.



Pro1770LCR

Stock Number  
FG01335



Pro1870LCR

Stock Number  
FG01135



Pro2770LCR

Stock Number  
FG01336



Pro2870LCR

Stock Number  
FG01136

## FEATURES AND BENEFITS

### **INTERLACED CARBON-FIBER WOOFERS WITH BUTYL RUBBER SURROUNDS**

Provide increased sound pressure levels and dynamic theater quality sound at sustained high-power output

### **FLUID-COOLED TETERON™ DOME MIDRANGE\***

*\*Pro1770LCR & Pro2770LCR models only*

Produces smooth detailed dialog

### **FLUID-COOLED CARBON CONE MIDRANGE\***

*\*Pro1870LCR & Pro2870LCR models only*

Delivers sustained high output levels and smooth detailed dialog

### **FLUID-COOLED TETERON™ DOME TWEETERS**

Deliver ultra-wide dispersion and silky-smooth response

### **ADJUSTABLE, CAST ALUMINUM, FULLY-ENCLOSED, DISPERSION-CONTROLLING MIDRANGE/TWEETER POD**

Enables precise imaging regardless of placement and accommodates vertical or horizontal installations

### **BOUNDARY GAIN COMPENSATION CONTROL\***

*\*Pro1870LCR & Pro2870LCR models only*

Allows precise room matching

### **VARIABLE MIDRANGE AND TREBLE CONTROLS**

Enables fine-tuning after installation (+/- 3dB)

### **CROSS-BRACED CABINETS**

Provides the ultimate in rigidity and sound clarity

### **BI-AMP AND BI-WIRE CAPABILITIES**

Optimizes tonal balance and enhances dynamic range

### **POLISHED BLACK CABINET WITH SCULPTED CHARCOAL ALUMINUM GRILLE**

Provides an elegant yet unobtrusive appearance

### **DOLBY DIGITAL® READY**

The StageFront Home Theater Solutions loudspeakers are expressly designed for superior sonic quality in home theater applications. All models exceed the specifications set forth by Dolby Laboratories for the accurate reproduction of Dolby Digital-Encoded Sources

# INSTALLATION CONSIDERATIONS

## RECOMMENDED AMPLIFIER POWER

For satisfactory performance, we recommend using a surround amplifier with a power rating of 20-150 watts for the Pro1770LCR and Pro2770LCR. We recommend an amplifier power rating of 20-200 watts for the Pro1870LCR and Pro2870LCR. Most loudspeakers are not damaged by large amplifiers, but rather by small amplifiers. If your system is playing at high levels, a small amplifier will run out of power very quickly and can create damaging “clipping” distortions. A more powerful amplifier will play at the same volume without distorting. See **OPERATION** on page **9** for more information about amplifier clipping distortion.

## LOUDSPEAKER WIRE

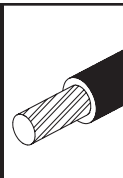
Use 2-conductor loudspeaker wire when connecting loudspeakers to your receiver or amplifier. For most applications, we recommend using 16-gauge wire. For wiring runs longer than 80 feet, we recommend 14-gauge wire. Every StageFront Pro loudspeaker features gold-plated, five-way binding posts that will accommodate up to 12-gauge wire directly. Larger sizes can be accommodated via pin connectors.

**NOTE: THESE FIVE-WAY BINDING POSTS CAN BE CONNECTED IN SEVERAL DIFFERENT WAYS (E.G., BANANA PLUGS, SPADE TERMINALS, AND DIRECT WIRING).**

When running wire inside walls or ceilings, use special jacketed cable (CL-2 or CL-3) to protect the wire and to meet local electrical and fire codes. In some areas, conduit is also required. For a trouble-free installation, low-voltage wire such as loudspeaker wire must be run in accordance with the National Electrical Code and any applicable provisions of the local building code. If you are unsure of the correct installation techniques, wire jacket, or type of conduit to use, consult a professional audio/video installer, building contractor, or the local building and inspection department.

### TECH TIP

Wire size is expressed by its AWG (American Wire Gauge) number – the lower the number, the larger the wire. For example, 12 AWG is physically larger than 14 AWG.



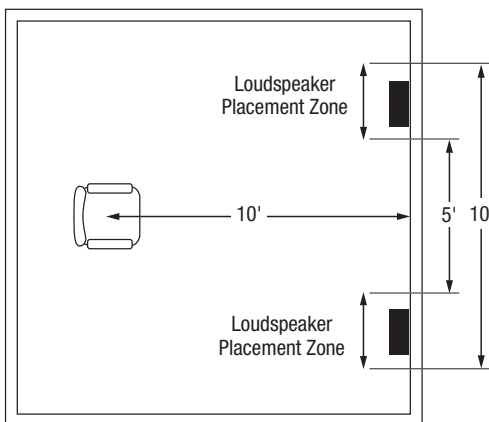
# LOUDSPEAKER PLACEMENT

NOTE: STAGEFRONT LCR LOUDSPEAKERS ARE DESIGNED FOR USE IN FRONT LEFT, CENTER OR RIGHT-CHANNEL APPLICATIONS. FOR EFFECT CHANNEL APPLICATIONS, WE RECOMMEND USING A STAGEFRONT FX LOUDSPEAKER.

## PLACING THE STAGEFRONT LCR AS THE FRONT LEFT AND RIGHT LOUDSPEAKERS

In a home theater, the intelligibility of dialog and action reproduced by the front speakers is paramount! The position of each loudspeaker plays a very important role in how clear the sound is and how a stereo image is created. Here are some guidelines to make the process of placement quick and easy:

- *Make sure the sound will not be blocked or reflected off furniture or other objects. The listener should have a direct line of sight with the front of the loudspeaker. To determine the best position, measure the "listening" distance between the ideal listening position (e.g., favorite chair or couch) and the wall in which you plan to install the loudspeakers.*
- *For stereo music applications, try to place the loudspeakers so that they are equally distant from the listening spot and at least one half of the listening distance apart to maintain a large pleasant stereo "image."*
- *In home theater applications where there is a center channel, you may choose to space the left and right main loudspeakers farther apart for a "bigger than life" sound with Dolby® encoded movies and TV shows. However, for combined music and movie usage, we recommend using the placement zone for stereo music. Ideally, if the listening position is 10 feet back from the wall, place the loudspeakers between 5 and 10 feet apart, as shown in **Figure 1**.*



**Figure 1.** Recommended loudspeaker placement for front left and right channels.

As for placement height, place front left and right loudspeakers on either side of the picture source so that their tweeters are not more than 24 inches above or below the center-channel loudspeaker's tweeter (see **Figure 2** on page **6**).

**NOTE: DO NOT PLACE ANY STAGEFRONT LCR OR FX LOUDSPEAKER TOO CLOSE TO A DIRECT-VIEW TV MONITOR, AS IT MAY CAUSE PICTURE DISCOLORATION. IN GENERAL, TRY TO KEEP IT AT LEAST 24 INCHES AWAY FROM THE TV. WITH LARGER CRT SCREEN SIZES, TEST THE PLACEMENT DISTANCE FOR PICTURE DEGRADATION BEFORE INSTALLATION.**

## **THE BOUNDARY EFFECT**

Placing a loudspeaker in a cabinet, as is likely for these models, or a corner can powerfully affect the way a listener perceives bass response. Known as the boundary effect, placing loudspeakers close to a wall/ceiling boundary, in a cavity in a cabinet or near a corner wall boundary will emphasize certain bass frequencies, while canceling others. This effect can make the loudspeaker sound excessively boomy and inaccurate to some listeners, while to others it just seems like more bass sound.

As a good rule-of-thumb, if you like listening to your current pair of loudspeakers with the bass turned up, you'll enjoy corner placement. However, if you listen with the tone controls at neutral, try keeping the loudspeakers at least 2 or 3 feet from the boundaries of the room. If this is not possible, the Pro1870LCR and Pro2870LCR models feature a Boundary Compensation control to help correct any issues that this type of placement can cause.

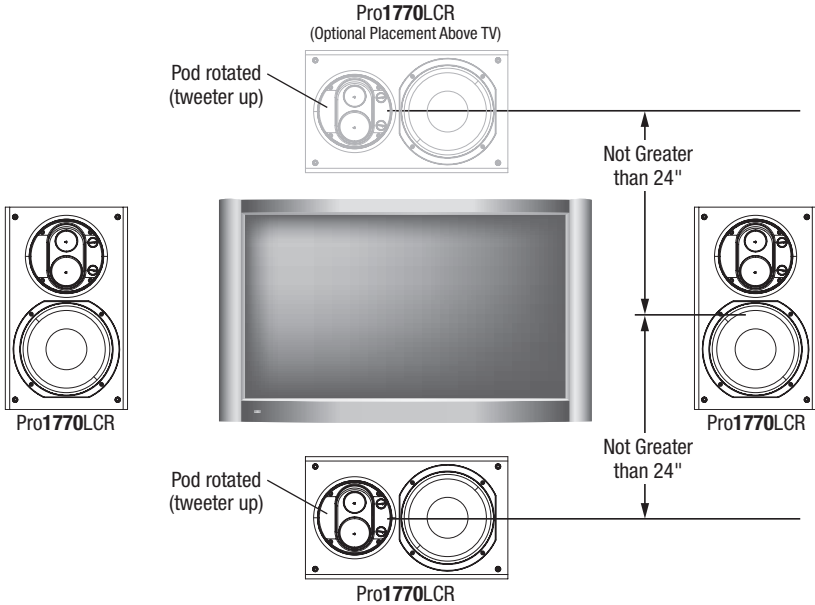
## **PLACING THE STAGEFRONT LCR AS THE CENTER-CHANNEL LOUDSPEAKER**

The center-channel loudspeaker is the workhorse in a home theater system. It handles all of the critical dialog and is vitally important in creating the illusion of sounds emanating directly from the picture. Here are some tips for obtaining optimum center-channel performance:

- *In a typical installation, place the loudspeaker horizontally, directly above or below the television or projection screen. Try to ensure that the loudspeaker is not placed too high relative to the left and right loudspeaker, as shown in **Figure 2**.*
- *The Pro LCR models feature a Midrange/Tweeter pod that can be rotated to accommodate horizontal installations. If you mount one of these models horizontally, please remove the screws that hold this pod in place, rotate the pod ninety degrees so that the tweeter is above the midrange and reinstall the screws to reattach the pod to the loudspeaker as shown in **Figure 3**.*

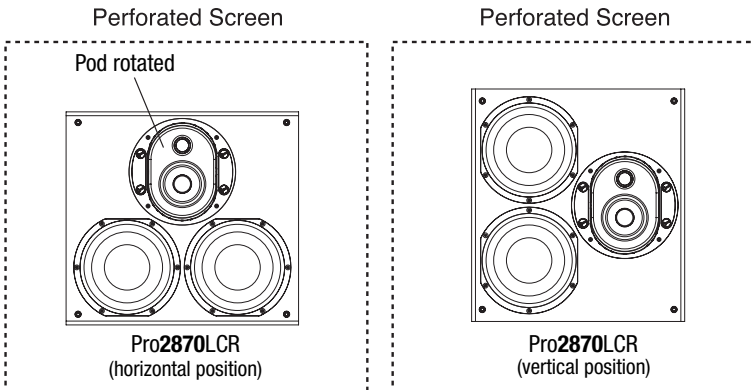
(CONTINUED ON NEXT PAGE)

## LOUDSPEAKER PLACEMENT (CONTINUED)



**Figure 2.** Placing the Stagefront LCR as the center channel loudspeaker above or below a TV.

- For installations where a perforated projection screen will be used, place the loudspeaker, either horizontally or vertically, behind the screen at ear level, as shown in **Figure 3**.



**Figure 3.** Recommended loudspeaker center-channel placement behind a perforated projection screen.



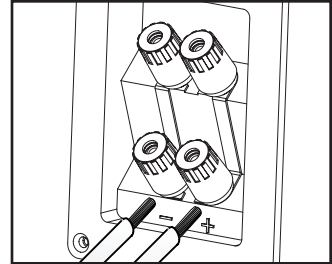
## FINISHING THE INSTALLATION

### CONNECTING THE LOUDSPEAKER

1. The terminals on your loudspeaker support Bi-amp or Bi-wire connections as well as standard connections. Please choose your preferred method as described below in **Figure 5** on page 8.
2. At each loudspeaker, route the wire to the input connectors, then separate the loudspeaker wire so that at least 2 inches of each conductor are free. Strip away 1/4 inch of insulation from each loudspeaker wire. Using correct polarity, connect the appropriate conductor to each five-way binding post.

NOTE: OBSERVE CORRECT POLARITY: POSITIVE (+) GOES TO THE RED POST AND NEGATIVE (-) GOES TO THE BLACK POST. IF YOU ARE UNSURE OF WIRE POLARITY, SEE THE SECTION, CHECKING LOUDSPEAKER PHASE BELOW.

3. Connect the other end of the loudspeaker wires to the home theater receiver (or amplifier) in the same way.
4. Turn on the home theater receiver and calibrate all loudspeakers in the system according to the receiver manufacturer's instructions.



**Figure 4.** Connecting loudspeaker wires to the terminals.

### BI-WIRE AND BI-AMP CHOICES

#### Bi-Wiring

In a Bi-Wired configuration, separate cables are connected from the amplifier or receiver output terminals to the speaker input terminals for the tweeter/midrange section and the woofers. Be sure to **remove the straps** linking the two sets of input terminals on the speaker. Your amplifier and your loudspeakers may be damaged if you do not **remove the straps**. This type of configuration results in lower resistance between the amplifier and speaker than a standard connection with the same gauge cable. Some listeners may prefer Bi-Wiring to a standard connection with lower gauge cable.

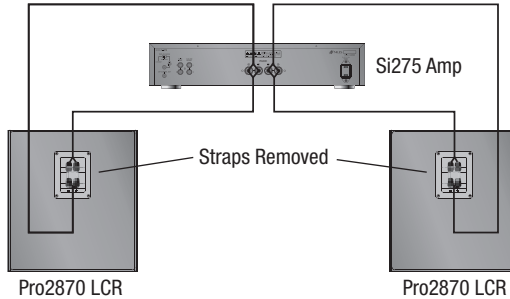
#### Bi-Amping

In a Bi-Amplified system, the tweeter and midrange section are driven by a separate amplifier than the woofer. Both amplifiers are connected to the same preamplifier output. Use the same model amplifier for the tweeter and woofer inputs and be sure to **remove the straps** linking the two sets of input terminals on the speaker. Your amplifiers and your loudspeakers may be damaged if you do not **remove the straps**.

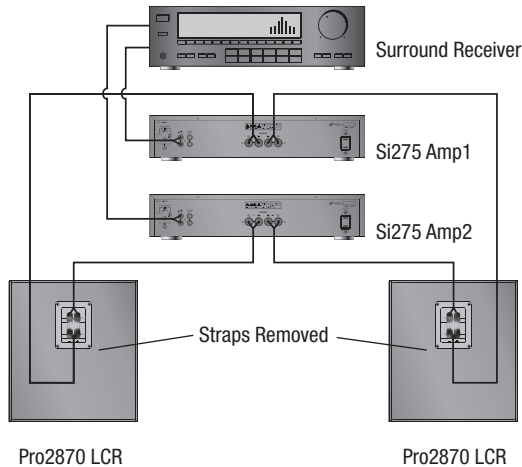
(CONTINUED ON NEXT PAGE)

## FINISHING THE INSTALLATION (CONTINUED)

**Figure 5.** Bi-Wire connection



**Figure 6.** Bi-Amp connection



### CHECKING LOUDSPEAKER PHASE

Speaker wire has two conductors. On both your loudspeaker and amplifier, one conductor is attached to the negative (-) terminals, while the other is attached to the positive (+) terminals. Usually, the wire is marked for your convenience, but the marking can be done in the following different ways:

- *Stripe on one wire*
- *Ribbed area you can feel on one conductor*
- *Different colors of metal wire on each conductor*
- *Fabric strand or string wound into one of the conductors*

Of course, there are some wires that appear completely identical. So be careful, or you might make a connection mistake. If you do, one loudspeaker will be playing “out-of-phase” with the other loudspeaker. A pair of out-of-phase loudspeakers

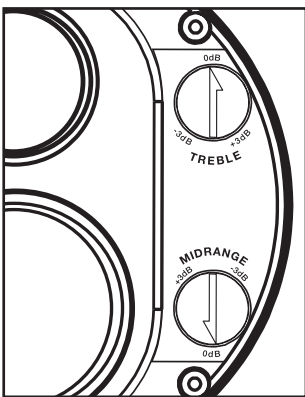
works against each other, and the sound of the two playing together will be lacking in bass and sound “phasey.” If you suspect the sound is not right, and you cannot see any markings on the wire, try this simple test:

1. *Stand halfway between the loudspeakers.*
2. *Play some music with the amplifier or radio set to Mono.*
3. *Listen to the richness of the bass and the loudness of the sound.*
4. *Turn off the amplifier and reverse the connections on one amplifier channel only.*
5. *Repeat the listening test with the same volume control setting. When the sound has a richer bass and is slightly louder, the loudspeakers are working together or “in-phase.”*

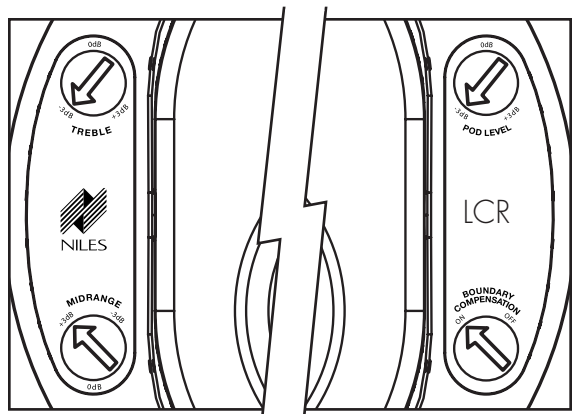
## ACOUSTIC FINE TUNING

Each StageFront Pro LCR loudspeaker features a variable Treble and Bass Controls. The 1870LCR and 2870LCR models also feature Boundary Gain Compensation and Pod Level controls located on the front for acoustic fine-tuning after placement, as shown in **Figure 7**. Adjust these controls as follows:

- *Ensure that the Treble and Midrange controls are set to Flat (0 dB).*
- *If a Stagefront Pro LCR is placed in a room with highly reflective surfaces like glass or tile or the reproduced sound is too bright, set the Treble control to  $-3$  dB to lower the high frequency response.*
- *Listen to dialog being reproduced on the Stagefront Pro LCR. If you want it more pronounced, set the Midrange control to up to  $+3$ dB to enhance the mid-frequency response.*



**Figure 7.** Treble and Midrange controls for the Pro1770LCR and Pro2770LCR



**Figure 8.** Treble, Midrange, Pod Level and Boundary Compensation controls for Pro1870LCR and Pro2870LCR.

(CONTINUED ON NEXT PAGE)

## FINISHING THE INSTALLATION (CONTINUED)

The StageFront Pro1870LCR and Pro2870LCR models feature Boundary Compensation and Pod Level controls in addition to those for Treble and Midrange levels. These controls are also on the front for acoustic fine-tuning after placement, as shown in **Figure 8**. Adjust these controls as follows:

- *If a Pro LCR is placed in a cabinet or position where the loudspeaker is closer than 2 to 3 feet from a room boundary, such as a wall, and the sound is 'boomy', please switch the Boundary Compensation switch on. You may need to also adjust the Midrange level when using this switch.*
- *The Pod Level control allows you to adjust the level of the Tweeter and Midrange in relation to the woofer(s) of the loudspeaker. If you are getting 'boomy' response after adjusting the Midrange level and the Boundary Compensation switch, you may need to increase the level of the Pod in relation to the woofer(s). If you are getting thin or 'tinny' response after adjusting the Tweeter level and the Boundary Compensation switch, you may need to decrease the pod level in relation to the woofer(s).*
- *Please remember to also check the settings of your receiver or processor if you cannot achieve satisfactory sound once you have tried adjusting the controls of the loudspeaker.*

### INSTALLING THE GRILLE

If desired, at each loudspeaker, carefully fit the grille to its cabinet. Starting with one corner, gently press the grille frame around the loudspeaker's edge, pushing it in at each of the four recessed holes. When properly installed, the edges of the grille will be nearly flush in appearance with the cabinet.

## OPERATION

### LISTENING AT HIGHER VOLUMES

Achieving a reasonable volume of sound in a large room requires more amplifier power than it does in a small room. It is possible to turn the volume up so high that the amplifier runs out of power. This creates "clipping" distortion, which will make treble sound very harsh and unmusical. When you hear harsh-sounding treble from any good loudspeaker, turn the volume down immediately! Those harsh sounds are masking much more powerful ultra-high-frequency sound spikes, which will quickly damage any fine loudspeaker. You are much less likely to damage a loudspeaker driven by a large amplifier because it will be very loud before any clipping distortion is produced.

### CLEANING

Clean the StageFront Home Theater Solutions loudspeaker with a dampened soft cloth or paper towel.

# SPECIFICATIONS

## Pro1770LCR

### Recommended Amplifier Power

20-150 watts per channel

### Nominal Impedance

6 ohm nominal; 3.2 ohm minimum

### Frequency Response

70Hz to 20kHz, +/- 3 dB

### Sensitivity

88 dB with 2.83 V pink noise input measured at 1 meter on axis

### Dimensions

8-7/8" W x 14-5/8" H x 12-5/8" D with grille  
Depth is 12-3/8" without grille

### Wiring Requirements

We recommend using 16-gauge loudspeaker wire for runs up to 80 feet and 14-gauge speaker wire for runs up to 200 feet. The connectors will accommodate 12 to 22 gauge wire.

## Pro2770LCR

### Recommended Amplifier Power

20-150 watts per channel

### Nominal Impedance

6 ohm nominal; 3.2 ohm minimum

### Frequency Response

60Hz to 20kHz, +/- 3 dB

### Sensitivity

89 dB with 2.83 V pink noise input measured at 1 meter on axis

### Dimensions

14-5/8" W x 14-5/8" H x 12-5/8" D with grille  
Depth is 12-3/8" without grille

### Wiring Requirements

We recommend using 16-gauge loudspeaker wire for runs up to 80 feet and 14-gauge speaker wire for runs up to 200 feet. The connectors will accommodate 12 to 22 gauge wire.

## Pro1870LCR

### Recommended Amplifier Power

20-200 watts per channel

### Nominal Impedance

6 ohm nominal; 3.2 ohm minimum

### Frequency Response

60Hz to 20kHz, +/- 3 dB

### Sensitivity

90 dB with 2.83 V pink noise input measured at 1 meter on axis

### Dimensions

11" W x 17-1/2" H x 15-3/8" D with grille  
Depth is 15-1/4" without grille

### Wiring Requirements

We recommend using 16-gauge loudspeaker wire for runs up to 80 feet and 14-gauge speaker wire for runs up to 200 feet. The connectors will accommodate 12 to 22 gauge wire.

## Pro2870LCR

### Recommended Amplifier Power

20-200 watts per channel

### Nominal Impedance

6 ohm nominal; 3.2 ohm minimum

### Frequency Response

55Hz to 20kHz, +/- 3 dB

### Sensitivity

91 dB with 2.83 V pink noise input measured at 1 meter on axis

### Dimensions

17-1/2" W x 19-1/8" H x 15-3/8" D with grille  
Depth is 15-1/4" without grille

### Wiring Requirements

We recommend using 16-gauge loudspeaker wire for runs up to 80 feet and 14-gauge speaker wire for runs up to 200 feet. The connectors will accommodate 12 to 22 gauge wire.

## LIMITED WARRANTY

NILES AUDIO CORPORATION ("NILES") WARRANTS ITS PASSIVE LOUDSPEAKER PRODUCTS (THOSE NOT REQUIRING AC OR BATTERY POWER) TO THE ORIGINAL PURCHASER TO BE FREE OF MANUFACTURING DEFECTS IN MATERIAL AND WORKMANSHIP FOR A PERIOD OF FIVE YEARS FROM DATE OF PURCHASE.

THIS WARRANTY IS SUBJECT TO THE FOLLOWING ADDITIONAL CONDITIONS AND LIMITATIONS. THE WARRANTY IS VOID AND INAPPLICABLE IF NILES DEEMS THAT THE PRODUCT HAS BEEN USED OR HANDLED OTHER THAN IN ACCORDANCE WITH THE INSTRUCTIONS PROVIDED BY THE MANUFACTURER, INCLUDING BUT NOT LIMITED TO DAMAGE CAUSED BY ACCIDENT, MISHANDLING, IMPROPER INSTALLATION, ABUSE, NEGLIGENCE, OR NORMAL WEAR AND TEAR, OR ANY DEFECT CAUSED BY REPAIR TO THE PRODUCT BY ANYONE OTHER THAN NILES OR AN AUTHORIZED NILES DEALER.

TO OBTAIN WARRANTY SERVICE, TAKE THE UNIT TO THE NEAREST AUTHORIZED NILES DEALER, WHO WILL TEST THE PRODUCT AND IF NECESSARY, FORWARD IT TO NILES FOR SERVICE. IF THERE ARE NO AUTHORIZED NILES DEALERS IN YOUR AREA, YOU MUST WRITE TO NILES AND INCLUDE YOUR NAME, MODEL AND SERIAL NUMBER OF YOUR UNIT, ALONG WITH A BRIEF DESCRIPTION OF THE PROBLEM. A FACTORY RETURN AUTHORIZATION NUMBER WILL BE SENT TO YOU. DO NOT RETURN ANY UNIT WITHOUT FIRST RECEIVING WRITTEN AUTHORIZATION AND SHIPPING INSTRUCTIONS FROM NILES.

IF THE ABOVE CONDITIONS ARE MET, THE PURCHASER'S SOLE REMEDY SHALL BE TO RETURN THE PRODUCT TO NILES, IN WHICH CASE NILES WILL REPAIR OR REPLACE, AT ITS SOLE OPTION, THE DEFECTIVE PRODUCT WITHOUT CHARGE FOR PARTS OR LABOR. NILES WILL RETURN A UNIT REPAIRED OR REPLACED UNDER WARRANTY BY SHIPPING SAME BY ITS USUAL SHIPPING METHOD FROM THE FACTORY (ONLY) AT ITS EXPENSE WITHIN THE UNITED STATES OF AMERICA. THERE ARE NO OTHER WARRANTIES, INCLUDING WITHOUT LIMITATION, EITHER EXPRESS OR IMPLIED WARRANTIES OF MERCHANTABILITY OR FITNESS FOR A PARTICULAR PURPOSE, WITH RESPECT TO THE PRODUCT.

REPAIR OR REPLACEMENT AS PROVIDED UNDER THIS WARRANTY IS THE EXCLUSIVE REMEDY OF THE CONSUMER/PURCHASER. NILES SHALL NOT BE RESPONSIBLE FOR ANY INCIDENTAL OR CONSEQUENTIAL DAMAGES EXCEPT TO THE EXTENT PROVIDED (OR PROHIBITED) BY APPLICABLE LAW.

SOME STATES DO NOT ALLOW THE EXCLUSION OR LIMITATION OF INCIDENTAL OR CONSEQUENTIAL DAMAGES, SO THE ABOVE LIMITATION MAY NOT APPLY TO YOU. THIS WARRANTY GIVES YOU SPECIFIC LEGAL RIGHTS, AND YOU MAY ALSO HAVE OTHER RIGHTS WHICH VARY FROM STATE TO STATE.

FOR THE NAME OF YOUR NEAREST AUTHORIZED NILES DEALER CONTACT:  
NILES AUDIO CORPORATION, P.O. BOX 160818, MIAMI, FLORIDA 33116-0818.

*Please fill in your product information and retain for your records.*

Model \_\_\_\_\_ Serial No. \_\_\_\_\_ Purchase Date \_\_\_\_\_

# WARRANTY REGISTRATION CARD

Model Purchased \_\_\_\_\_

Serial Number \_\_\_\_\_

Date Purchased (month/day/year) \_\_\_\_\_

Dealer Name and Location \_\_\_\_\_

Dr.    Miss    Mr.    Mrs.    Ms.

Name \_\_\_\_\_

Address \_\_\_\_\_

City \_\_\_\_\_ State \_\_\_\_\_ Zip \_\_\_\_\_

Telephone (    ) \_\_\_\_\_ email \_\_\_\_\_

Please take a moment to fill out our warranty registration card. The information helps us to get to know you better and develop the products you want

**Age:**

- Under 25
- 25-34
- 35-44
- 45-54
- 55 & over

**Income:**

- Under \$44,999
- \$45,000-\$59,999
- \$60,000-\$74,999
- \$75,000-\$99,999
- \$99,999-\$150,000
- \$150,000-\$99,999
- \$99,999-\$200,000
- Over \$200,000

**Occupation:**

- Arts/Entertainment
- Business Owner
- Engineer
- Finance/Accounting
- General Office
- Management
- Professional
- Sales/Marketing
- Student
- Tradesperson

**Musical tastes:**

(Please check all that apply)

- Alternative
- Classical
- Country
- Jazz
- New Age
- Popular
- R&B
- Rock
- Other \_\_\_\_\_

**How did you hear about Niles?**

- Architect/Developer
- Custom Installer
- Direct Mail
- Friend/Family
- In-Store Display
- Interior Designer
- Magazine Ad
- Mail-Order Catalog
- Newspaper Ad
- Product Brochure
- Product Review
- Retail Salesperson
- Internets
- Other

**What magazines do you read?**

1. \_\_\_\_\_
2. \_\_\_\_\_
3. \_\_\_\_\_

**Who will install the product?**

- Custom Installer
- Electrician
- Friend
- Myself

**Which factor(s) influenced the purchase of your Niles product? (Please check all that apply)**

- Ease of Use
- Price/Value
- Product Features
- Quality/Durability
- Reputation
- Style/Appearance
- Warranty

**Do you . . . ?**

Own a House. If yes, how many square feet?

- Own a Town House/Condominium/Co-op
- Rent an Apartment
- Rent a House

Are you interested in receiving literature on other Niles products?  
 Yes    No

Are there products/capabilities that you would like to see introduced?  
 \_\_\_\_\_  
 \_\_\_\_\_  
 \_\_\_\_\_

DETACH HERE AND RETURN TO: NILES AUDIO CORPORATION WARRANTY REGISTRATION DEPT. P.O. BOX 160818 MIAMI, FLORIDA 33116-0818

E N G I N E E R E D B Y



**NILES**®

**NILES AUDIO CORPORATION**

12331 SW 130 Street, Miami, FL 33186 **1-800-BUY-HIFI** – [www.nilesaudio.com](http://www.nilesaudio.com)

©2006 Niles Audio Corporation. All Rights Reserved. Niles and the Niles logo are registered trademarks of Niles Audio Corporation. Stagefront Home Theater Solutions is a trademark of Niles Audio Corporation.

All other trademarks are the property of their respective owners. DS00508A





## Free Manuals Download Website

<http://myh66.com>

<http://usermanuals.us>

<http://www.somanuals.com>

<http://www.4manuals.cc>

<http://www.manual-lib.com>

<http://www.404manual.com>

<http://www.luxmanual.com>

<http://aubethermostatmanual.com>

Golf course search by state

<http://golfingnear.com>

Email search by domain

<http://emailbydomain.com>

Auto manuals search

<http://auto.somanuals.com>

TV manuals search

<http://tv.somanuals.com>