

GS

GARDEN SPEAKERS

GSS10 INSTALLATION GUIDE



 **NILES®**

BLENDING HIGH FIDELITY AND ARCHITECTURE®

INTRODUCTION

Thank you for purchasing the GSS10 In-ground subwoofer from Niles. With proper installation and operation, you'll enjoy years of trouble-free use.

PARTS LIST

- 1 GSS10 Subwoofer
- 1 GSS10 Bass Port Tube
- 8 Hex Screws
- 1 Hex Wrench

TOOLS REQUIRED FOR INSTALLATION

- Spade, Shovel, or Trench Tool
- Wire Strippers
- Bubble Level
- Direct Burial Rated Speaker Cable
 - 16AWG for wire runs of up to 100 ft
 - 14AWG for wire runs up to 150 ft
 - 12 AWG for wire runs up to 200 ft

OPTIONAL FEATURES

A 70v transformer kit is available for the GSS10. It is the GSS70V, Niles Part Number FG01675

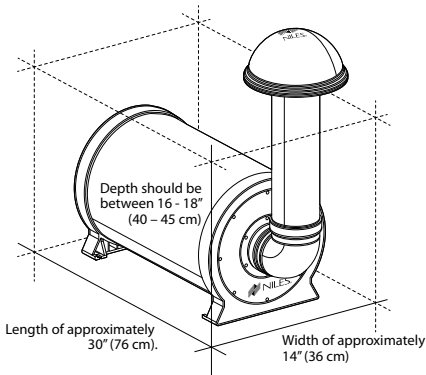
GSS 10 ASSEMBLY



Remove both the subwoofer and the bass port tube from their packaging. Using the hex wrench provided, securely attach the port tube to the subwoofer. When properly oriented, the port tube should be "Up" when the subwoofer is resting on its base.

Make sure that each of the hex screws is securely tightened to prevent the possibility of any vibration or rattling from the subwoofer when installed. Once assembled, the subwoofer is ready for installation.

CHOOSING A LOCATION



The location of the subwoofer should be based on three considerations: sound coverage, ease of installation, and the ease of running cable to the installation location. The large 10" woofer cone will provide impressive bass performance for a large area when properly placed.

The subwoofer requires a hole with a width of approximately 14" (36 cm) and a length of approximately 30" (76 cm). The depth should be between 16 - 18" (40 - 45 cm). Additionally, burial rated speaker

cable must be run from your subwoofer amplifier to the proposed subwoofer location. Make certain that there are no obstructions in the planned location or along the proposed wiring location before proceeding. Many states and municipalities have specific notification requirements before digging. Make sure to check with your local building authorities as required prior to digging.

Keep in mind when choosing a location that low frequency sounds will permeate the entire area which means that the subwoofer does not need to be "aimed" or pointed in any particular direction.

The subwoofer is made of heavy duty uPVC, designed for many years of rugged outdoor use and will withstand occasional hits from common handheld landscape tools, but can be damaged by lawn mowers or other motorized equipment. Placing the subwoofer where it is not likely to be struck by such equipment will help ensure years of listening enjoyment. This can be easily done by careful placement of landscaping features around the bass port tube.

Also, please be aware that you can control the bass output by your placement location. This is called the boundary effect. You will get more bass response by mounting the GSS10 near a wall or other flat surface. You can increase the bass output even more by mounting the GSS10 in a corner location. This kind of placement gives the speaker two boundaries, further reinforcing the bass sounds. Of course, mounting the subwoofer further away from any other boundaries will minimize this effect. Landscaping walls or other structures could be utilized for this purpose. A further consideration is that the closer the subwoofer is placed to the home, the more chance of unwanted vibration entering the home when the subwoofer is played at large volumes.

Choose the location carefully prior to digging any holes or running any wires.

Once the location has been chosen and the hole has been prepared, place the


subwoofer into the hole and verify that it is horizontal using the bubble level. It is now time to connect the loudspeaker wires to the subwoofer. Before connecting any loudspeaker wire, make certain that the subwoofer amplifier is turned OFF.

Connect the loudspeaker wires to the subwoofer, making certain to match polarity so that the positive lead from the amplifier matches to the positive lead from the subwoofer and do the same with the negative leads. When connecting the wires, be sure to use silicone filled wire nuts, or an appropriate water tight connector or junction box.

Connect the wires to your subwoofer amplifier and turn it on to test the connection. If the loudspeaker sounds fine, you can now fill in the hole around the GSS10. Keep in mind that the subwoofer will sound slightly different when fully installed in the ground than it will in an open air environment. Verify the satisfactory performance of each loudspeaker before covering any exposed trenches or conduit used for your wiring.

Before proceeding, turn off the amplifier for safety.

Carefully pack and compress the dirt around the subwoofer making certain not to damage either the subwoofer or its wiring. The subwoofer should have firm support on all sides to prevent any settling in the future.

Should you ever need to service your GSS10 subwoofer, you can use the Niles Logo located on the top cover to determine where the unit is located underground. The side of the vent cover with the Niles Logo () is the side where the subwoofer unit is located.

PAINTING

The tube and its dome cover can be painted to match any environment. When painting the GSS10 port tube, be sure not to paint the underside of the dome. There are special filter screens that should not be painted over on the underside of the dome. The top and sides can easily be painted with a high quality spray paint.

RECOMMENDED AMPLIFIER

The GSS10 is a passive subwoofer designed to be used with a subwoofer amplifier. We recommend the Niles SWA-500M, Part Number FG01361. The SWA-500M is a high-current design that can power up to 2 GSS10 subwoofers.

SPECIFICATIONS

Woofer:	10" Mineral-Filled Polypropylene
Recommended Amplifier Power:	50-500 watts
Frequency Response:	25 Hz to 110 Hz
Product Weight:	25 lbs (11.4 kg)
Recommended Burial Depth:	16-18" (40-45 cm)
Max SPL:	110dB
Impedance:	8 ohm nominal, 6 ohm minimum
Temperature Extremes:	-50F to 185F (-45° to 85° Celsius)

NOTES

BY PHONE (IN USA)

1-800-BUY-HIFI (289-4434)

BY PHONE (OUTSIDE USA)

1-760-710-0992

CUSTOMER SERVICE HOURS

8:00 AM to 5:30 PM PT

TECHNICAL SUPPORT HOURS

6:00 AM to 4:00 PM PT

ON THE WEB

www.nilesaudio.com

EMAIL TECHNICAL SUPPORT

techsupport@nilesaudio.com

EMAIL FOR PRODUCT SUGGESTIONS

productsuggestions@nilesaudio.com



BLENDING HIGH FIDELITY AND ARCHITECTURE®

1969 Kellogg Avenue, Carlsbad, CA 92008
1-760-710-0992

1-800-BUY-HIFI - www.nilesaudio.com

©2011 The AVC Group, LLC. All rights reserved. Niles and the Niles logos are registered trademarks of The AVC Group, LLC. All other trademarks are the property of their respective owners. We reserve the right to change specifications, descriptions and prices without notice. The technical and other information contained herein is not intended to set forth all technical and other specifications. Designed and engineered in the USA. 9901211 Rev A

Free Manuals Download Website

<http://myh66.com>

<http://usermanuals.us>

<http://www.somanuals.com>

<http://www.4manuals.cc>

<http://www.manual-lib.com>

<http://www.404manual.com>

<http://www.luxmanual.com>

<http://aubethermostatmanual.com>

Golf course search by state

<http://golfingnear.com>

Email search by domain

<http://emailbydomain.com>

Auto manuals search

<http://auto.somanuals.com>

TV manuals search

<http://tv.somanuals.com>