



# VDA-6 Video Distribution Amplifier

## Hookup & Operating Instructions

12331 SW 130 Street  
Miami, Florida 33186

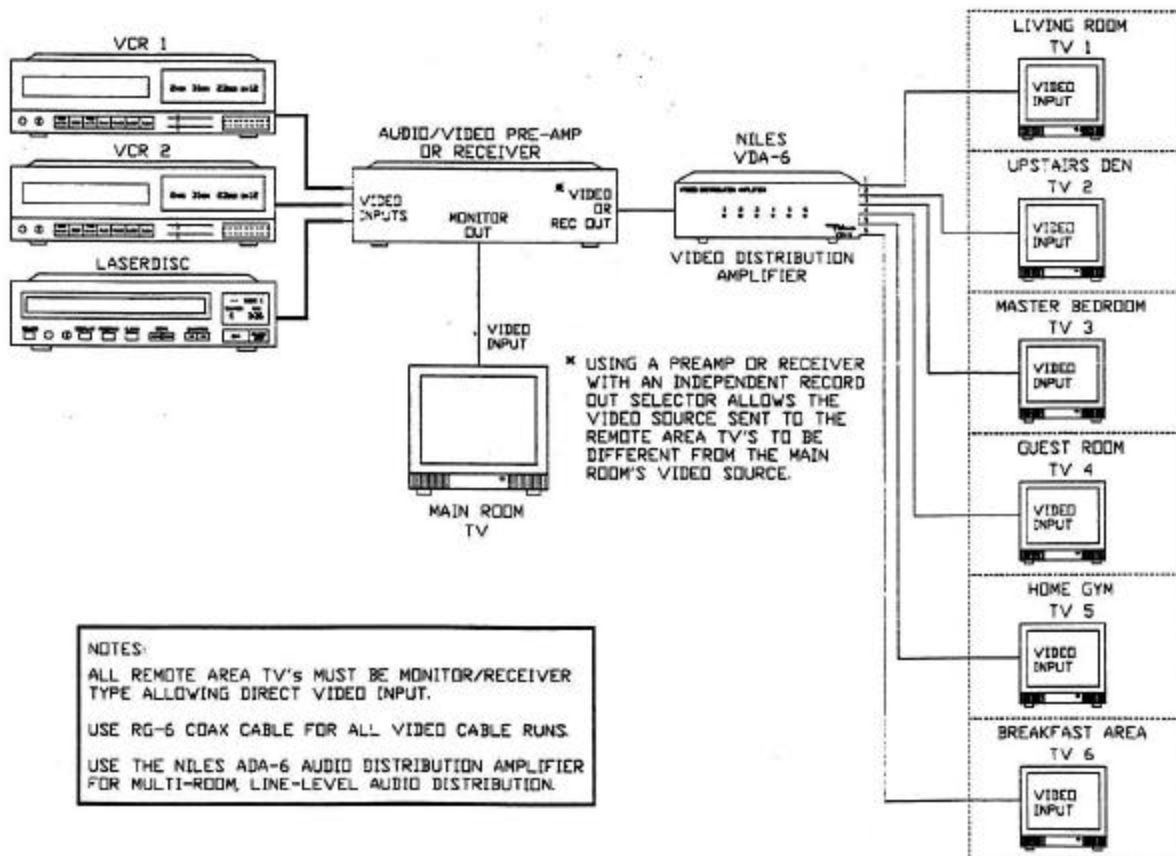
PO Box 160818  
Miami, Florida 33116-0818

Tel 305/238-4373  
Fax 305/238-0185

The VDA-6 is a 6 output video distribution amplifier. The unit is designed to be used whenever you need to distribute a single video source to multiple destinations. Buffer circuits assure that the source signal will reach all destinations with no degradation or undesirable interactions. All circuits are fully DC coupled which results in the cleanest possible picture. In essence, the VDA-6 is an amplified video signal splitter or electronic "Y" adapter.

### HOOKUP

1. Using the regular or high-definition 75 ohm coaxial cables, connect the output of the video source you wish to distribute to the Input Connector on the rear of the VDA-6. Typical sources might be laser disc players, VCR video section or any other video level outputs.
2. Connect the buffered outputs (1 through 6) to the destination components of your system. Typical destination components might be VCRs, TV monitors, special effects processors or any other video level input.



**NOTES:**  
 ALL REMOTE AREA TV'S MUST BE MONITOR/RECEIVER TYPE ALLOWING DIRECT VIDEO INPUT.  
 USE RG-6 COAX CABLE FOR ALL VIDEO CABLE RUNS.  
 USE THE NILES ADA-6 AUDIO DISTRIBUTION AMPLIFIER FOR MULTI-ROOM, LINE-LEVEL AUDIO DISTRIBUTION.

3. The front panel level adjustment trimmers are set at the factory to unity gain. In most applications this setting will be correct. Under certain circumstances, it may be necessary to increase or decrease the gain setting. The VDA-6 outputs are adjustable from 0 to 140% of input level.

### CASCADING MULTIPLE VDA-6 UNITS

On the rear of the VDA-6 are a pair of jacks labeled *Cascade Output*. These are provided in case you need to multiply your source by more than 6 outputs. You may cascade up to ten VDA-6 units by connecting the cascade output jacks to the input jacks on the second unit. If a third unit is required, connect the cascade output jacks of the second unit to the input jacks of the third unit. The sequence repeats up to ten units.

**\*\*\*\*\*VERY IMPORTANT\*\*\*\*\***

**LOW/HIGH SWITCH SETTING:** If only one VDA-6 is being used, this switch must be set to *Low*. If more than one VDA-6 is being used, the last box in the chain must be set to the *Low* position and all others must be set to the *High* position.

### SPECIFICATIONS

Video Bandwidth	DC to 6 MHz
Max. Input Signal Level	2 volts peak to peak
Differential Gain	.2 dB typical
Differential Phase	.2 degrees
Input Impedance	Selectable : 75 ohm or bridging
Output Impedance	75 ohms +/- 1%
Connectors	RCA type phone jacks
Output Level	0 to 140% of input (reference 1 volt peak to peak)
Power Requirements	wall mount transformer supplied with unit 16V AC 800mA
Dimensions	2 17/32" high x 8 1/8" wide x 3 11/16" deep

## Free Manuals Download Website

<http://myh66.com>

<http://usermanuals.us>

<http://www.somanuals.com>

<http://www.4manuals.cc>

<http://www.manual-lib.com>

<http://www.404manual.com>

<http://www.luxmanual.com>

<http://aubethermostatmanual.com>

Golf course search by state

<http://golfingnear.com>

Email search by domain

<http://emailbydomain.com>

Auto manuals search

<http://auto.somanuals.com>

TV manuals search

<http://tv.somanuals.com>