

## Operation

1. Make sure the amplifier or receiver is OFF and set the volume to minimum.
2. Set the SCW-1D volume to maximum (fully clockwise).
3. If you are using a Niles speaker selector system, locate the ON/OFF button which corresponds to the speaker pair you wish to play. Set it to the ON position.
4. Turn on the amplifier or receiver and select a source, such as tuner or CD player.
5. Slowly turn up the amplifier or receiver volume and set it to a comfortable (not maximum) listening level. Be careful not to overdrive or "clip" your amplifier. If the sound becomes muddy or distorted, you have reached the limit of your amplifier's volume capability and should quickly reduce the volume to avoid damaging your speakers.
6. Adjust the volume of the speakers to the desired listening level by using the SCW-1D. If all the speaker pairs in your system are equipped with Niles volume controls, you can leave the amplifier or receiver volume set at one position and use the Niles controls exclusively.
7. You can turn off the speakers by turning the knob on the SCW-1D completely counter-clockwise, or by pressing the ON/OFF button on your speaker selector.

## Limited Warranty

Niles Audio Corporation ("NILES") warrants its passive products (those not requiring AC or battery power) to the original purchaser to be free of manufacturing defects in material and workmanship for a period of ten years from date of purchase.

This Warranty is subject to the following additional conditions and limitations. The Warranty is void and inapplicable if NILES deems that the product has been used or handled other than in accordance with the instructions provided by the manufacturer, including but not limited to damage caused by accident, mishandling, improper installation, abuse, negligence, or normal wear and tear, or any defect caused by repair to the product by anyone other than NILES or an authorized NILES dealer.

To obtain warranty service, take the unit to the nearest authorized NILES dealer, who will test the product and if necessary, forward it to NILES for service. If there are no authorized NILES dealers in your area, you must write to NILES and include your name, model and serial number of your unit, along with a brief description of the problem. A factory Return Authorization Number will be sent to you. DO NOT RETURN ANY UNIT WITHOUT FIRST RECEIVING WRITTEN AUTHORIZATION AND SHIPPING INSTRUCTIONS FROM NILES.

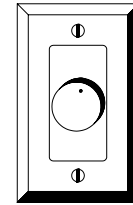
If the above conditions are met, the purchaser's sole remedy shall be to return the product to NILES, in which case NILES will repair or replace, at its sole option, the defective product without charge for parts or labor. NILES will return a unit repaired or replaced under warranty by shipping same by its usual shipping method from the factory (only) at its expense within the United States of America. THERE ARE NO OTHER WARRANTIES, INCLUDING WITHOUT LIMITATION, EITHER EXPRESS OR IMPLIED WARRANTIES OF MERCHANTABILITY OR FITNESS FOR A PARTICULAR PURPOSE, WITH RESPECT TO THE PRODUCT.

REPAIR OR REPLACEMENT AS PROVIDED UNDER THIS WARRANTY IS THE EXCLUSIVE REMEDY OF THE CONSUMER/PURCHASER. NILES SHALL NOT BE RESPONSIBLE FOR ANY INCIDENTAL OR CONSEQUENTIAL DAMAGES EXCEPT TO THE EXTENT PROVIDED (OR PROHIBITED) BY APPLICABLE LAW.

Some states do not allow the exclusion or limitation of incidental or consequential damages, so the above limitation may not apply to you. This warranty gives you specific legal rights, and you may also have other rights which vary from state to state.

**For the name of your nearest authorized NILES dealer contact:**

**NILES AUDIO CORPORATION  
P.O. BOX 160818, Miami, Florida 33116.**



# SCW-1D

## STEREO WALL-MOUNT VOLUME CONTROL

## Introduction

The SCW-1D is a wall-mount, Decora® style speaker volume control. It connects between the speaker-level output of an amplifier, speaker selector, etc. and a pair of speakers. A perfect application for the SCW-1D is adjusting the volume of remotely located speakers.

The SCW-1D adjusts the volume of speakers connected to it by attenuating the amplifier signal. Niles volume controls use autoformers instead of L-pads for the volume controlling element. The autoformers assure minimal internal power dissipation with virtually no power wasted as heat.

## Features and Benefits

- A 10-position control for a broad range of adjustment
- Transformers made of the highest quality grain-oriented silicon steel to provide 20-20,000 Hz ( $\pm 2$  dB) frequency response and superb power handling (60 watts)
- Dual set-screw knob to prevent accidental removal
- 100% electrical and acoustical testing for frequency response, distortion, and power handling
- 10 year parts and labor warranty
- Available in four designer colors

## Specifications

Audio Power Handling  
100 Watts/channel peak music power  
60 Watts/channel continuous power

Mounting  
In-wall, fits into most 18 cubic inch single-gang electrical boxes at least 2-3/4" deep, Decora-style faceplate

Wiring Requirements  
Individual runs of 2-conductor speaker wire, 14-22 gauge

Unit Dimensions  
1-5/8" wide x 2-7/8" high

Face Plate Dimensions  
Decora faceplate;  
2-3/4" wide x 4-1/2" high

Depth Behind Plate  
2-1/4"



Niles Audio Corporation

## Installation Considerations

The SCW-1D is a Decora-style module designed to use "Decora-style" faceplates and mounting hardware. Decora faceplates (up to 6-gang) with color-matched plate screws are available from your Niles dealer.

### SCW-1D Mounting Locations

Convenient mounting locations for the SCW-1D are:

- Near entryways or exits
- Near a desk
- At your bedside
- Close to a telephone
- Near other wall controls

### P-Ring and Electrical Boxes

The mounting depth of the SCW-1D is 2-3/8". When installed, the unit extends 1-7/8" behind the sheetrock wall (assuming 1/2" sheetrock). For installation, you must choose between a standard light switch plaster ring (p-ring) or a standard 18 cubic inch (or larger) electrical box. Suitable p-rings and electrical boxes are available from your Niles dealer or a local electrical supply company. Using the p-ring is best because it gives you unobstructed access to the full depth of the wall. In some instances, the use of a p-ring may be inappropriate, such as in a retro-fit (existing construction) installation, or when building codes require that wall devices be enclosed in

electrical boxes. Contact your local building code and inspection department if unsure.

### Type of Speaker Wire

For most applications, we recommend you use 16 or 18 gauge, stranded copper speaker wire for the SCW-1D and connections. For wiring runs longer than 80 feet, 14 gauge wire is recommended. Using speaker wire larger than 14 gauge for SCW-1D and connections is not recommended — the wire may not fit into the connectors. Never use solid-core, aluminum or "Romex" type wire with the SCW-1D. When running speaker wires inside walls, most states and municipalities in the U.S. specify that you must use a special type of speaker wire. Usually, the requirement is that the wire has a specific "CL" fire rating, such as "CL-2" or "CL-3". Consult your Niles dealer, building contractor, or local building and inspection department if unsure about which type of wire is best for your application.

**DO NOT INSTALL THE SCW-1D INTO ELECTRICAL BOXES WITH 110 VOLT DEVICES.**

Some states or municipalities allow devices such as the SCW-1D to be installed into the same electrical box as 110 volt devices, provided a "low-voltage partition" is used between the

devices. We do not recommend this. Speaker wires can act as an "antenna" for electrical noise. Locating speaker wires too close to a light switch or dimmer may cause a "popping" or "buzzing" sound to be heard through the speakers. If you must locate an SCW-1D near electrical devices, install it in a separate metal electrical box, ground the box to the electrical system ground, and route the speaker wires several feet away from the electrical wiring.

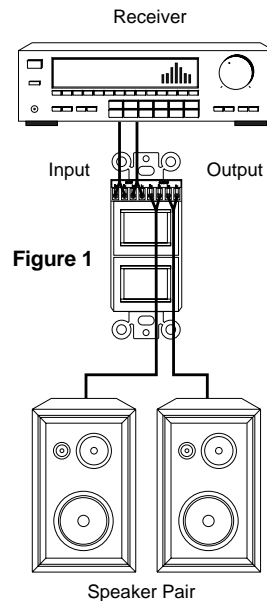


Figure 1

## Installation

If you are installing the SCW-1D into an existing wall, take time to consider any possible obstructions which may be hidden inside the wall, such as wood and metal studs; electrical, telephone wire or other types of wiring; plumbing; conduit; old wall safes; etc.

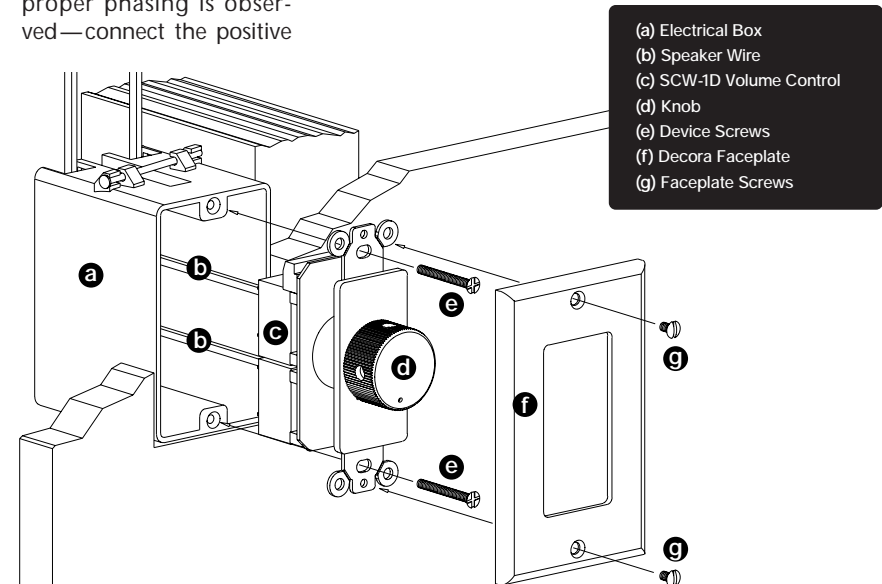
1. Install the electrical box or p-ring in the usual manner.
2. Run all the necessary wiring to the SCW-1D. Label the wires for future reference.
3. Make the connections to the SCW-1D. Strip 1/4" of insulation from the end of each wire. Tightly twist the end of each wire until there are no frayed ends. Insert each wire into the appropriate hole on the connector blocks; secure the wiring to the connectors by tightening the small connector screws. Be certain that proper phasing is observed—connect the positive

terminals on the SCW-1D to the positive terminals on the amplifier and speakers; the negative terminals on the SCW-1D to the negative terminals on the amplifier and speakers. See Figure 1.

4. Secure the SCW-1D to the electrical box or p-ring. Insert the 1-1/4" long device screws into the oblong-shaped screw holes on the top and bottom of the SCW-1D. Note that the oblong shape of the screw holes allow you to position the SCW-1D so that it is vertical. Position the SCW-1D so that the screws are aligned with the threaded holes in the electrical box or p-ring. Tighten the screws using a phillips screwdriver. DO NOT OVER-TIGHTEN. In some instances, you may need to loosen these screws several turns to allow the Decora cover plate.

5. Use the shorter plate screws to fasten the Decora faceplate to the SCW-1D. DO NOT OVER-TIGHTEN THE PLATE SCREWS OR YOU MAY DAMAGE THE FACEPLATE. Line up all the screws in the same direction for a finished look. NOTE: Certain "old work" or "retro-fit" boxes, such as the Carlon B225R, have a plastic "lip" which interferes with the Decora faceplate screws. This lip prevents you from being able to tighten the screws completely. To make the clearance necessary for these screws, you must remove the parts of the lip causing interference. There are two ways to accomplish this:

1. Drill through the lip of the box at the screw points.
2. Cut notches into the lip with a pair of diagonal cutters.



- (a) Electrical Box
- (b) Speaker Wire
- (c) SCW-1D Volume Control Knob
- (d) Knob
- (e) Device Screws
- (f) Decora Faceplate
- (g) Faceplate Screws

## Free Manuals Download Website

<http://myh66.com>

<http://usermanuals.us>

<http://www.somanuals.com>

<http://www.4manuals.cc>

<http://www.manual-lib.com>

<http://www.404manual.com>

<http://www.luxmanual.com>

<http://aubethermostatmanual.com>

Golf course search by state

<http://golfingnear.com>

Email search by domain

<http://emailbydomain.com>

Auto manuals search

<http://auto.somanuals.com>

TV manuals search

<http://tv.somanuals.com>