

BK 800

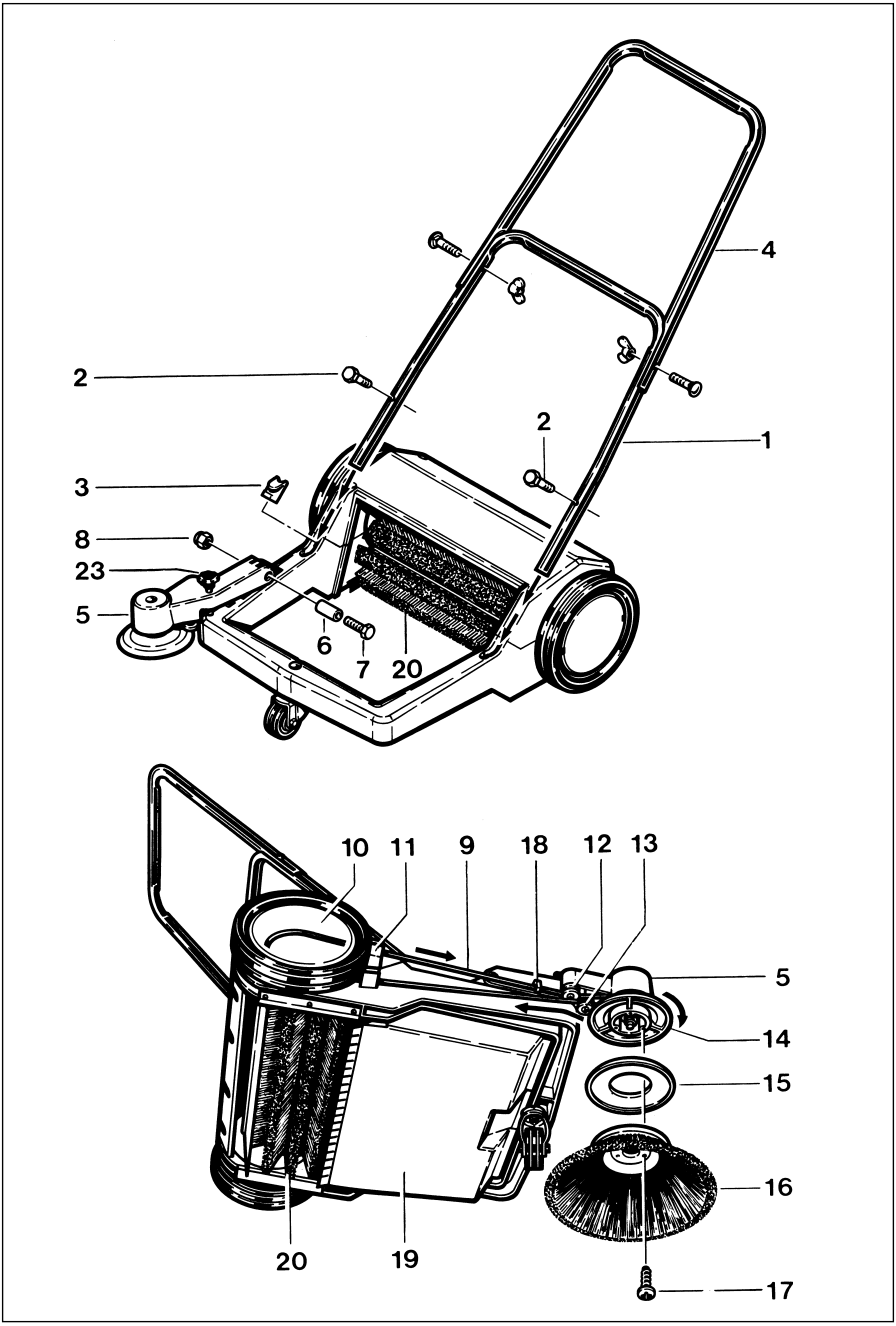


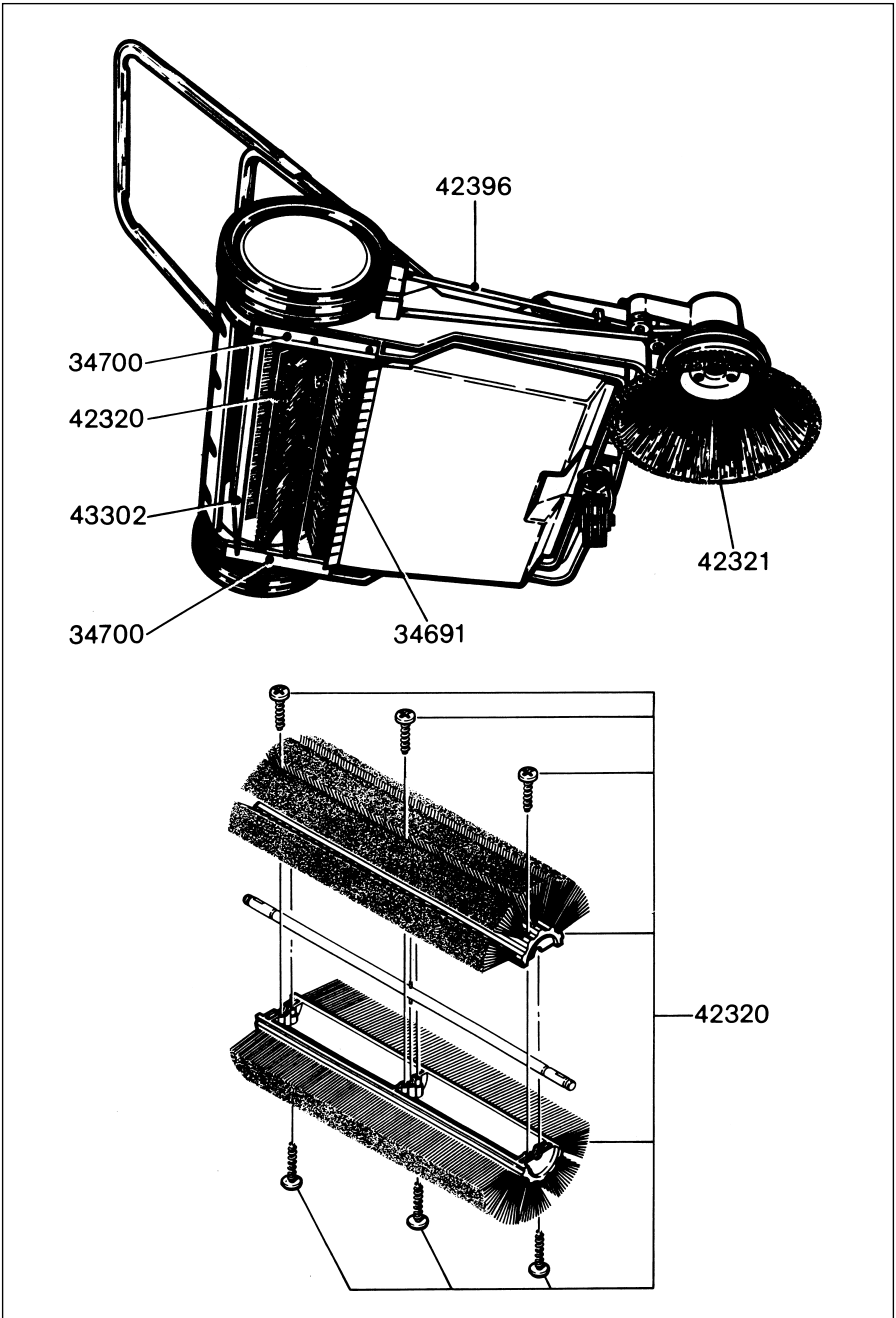
ALTO®

Total Cleaning
Confidence™

Ⓚ	<i>Betriebsanleitung</i>	2
ⓐ	<i>Operating Instructions</i>	5
Ⓕ	<i>Notice d'utilisation</i>	8
Ⓝ	<i>Gebruiksaanwijzing</i>	11
Ⓔ	<i>Instrucciones de manejo</i>	14

CLARKE
TECHNOLOGY





**READ OPERATING
INSTRUCTIONS AND
OBSERVE ENCLOSED
SAFETY PRECAUTIONS!**



SAFETY TIPS

To prevent fire risk or injury, please note the following:

- Do not sweep toxic, carcinogenic or unhealthy substances or other hazardous materials.
- Do not sweep burning or glowing objects, e.g. cigarettes, matches and similar.
- When removing glass, metal or other materials from the refuse container, always use thick gloves to avoid injury.
- The refuse container should be emptied whenever it has been used.
- The sweeper is not suitable for working with liquids.

UNPACKING AND ASSEMBLY

The sweeper has only been partially assembled for packaging reasons. The pushing handle and side brush arm must be fastened to the frame.

- Unpack the sweeper and place it on a flat surface.
- Remove the refuse container and unpack the parts packed inside it
- Check that all parts and also the instructions have been removed from the carton.
- Fit the pushing handle lower section (1) into the frame and fasten it with the bolts (2) M 6 x 35.
- Press in the plastic plug (3).
- Fasten the pushing handle upper section (4) to the lower section.

FITTING THE SIDE BRUSH

- Fit the side brush arm (5) into the mounting provided on the frame. Insert the sleeve (6).
- Slip the fastening bolt M 8 x 40 (7) from the inside to the outside and properly tighten the self-locking nut (8).
- Fold up the side brush arm.
- Place the drive belt (9) in the groove of the drive wheel (10) and in the guides (11)

- provided. Fit the upper part of the drive belt first into the pulley (12) and then into the groove of the brush plate (14). Then pull it between the brush plate (14) and the pulley (13).
- Fit the side brush (16). Place the deflecting plate (15) on the brush plate (14) such that the open side is visible. Place the side brush (16) on it and fasten it using the three special screws (17). The deflecting plate must turn easily.
- Swing down the side brush arm (5) and ensure that the drive belt (9) passes under the guide hook (18). Position the refuse container (19). The sweeper is ready to go.
- If the side brush (16) turns in the wrong direction, the drive belt has not been fitted correctly.

OPERATION

The side brush is moved to the working position by being swung downwards, in order to sweep along walls for example. Turn the height adjuster (23) to set the side brush such that



about one third of it is touching the floor.

- To empty the refuse container, lift and remove it by its handle, empty it into a bin, put it back in its frame and press it lightly to position it properly.

The refuse container must be emptied regularly, as sweeping is not possible with a full container.

Check the side brush (Art.No. 42321) for wear from time to time. Replace it when less than 1/3 of its bristles are in contact with the floor surface in the lowest setting. The side brush can be changed easily by removing the three screws and fitting a new brush in the same way.

MAINTENANCE

Clean the sweeper whenever it has been used. Remove any foreign bodies on the brushes and drive components.

The gearbox, clutches and other internal parts are maintenance-free.

Check the rubber floor seals from time to time for wear, and fit new ones if necessary.

Check the roller brush for wear from time to time. The roller brush (Art.No. 42320) can be changed easily by removing three screws on each half of the roller brush.

POSSIBLE FAULTS

Fault	Cause	Remedy
‡ Difficult to push	<ul style="list-style-type: none"> > Side brush too low > Large pieces have got stuck under the sweeper 	<ul style="list-style-type: none"> • Set side brush correctly • Remove pieces
‡ Poor refuse intake	<ul style="list-style-type: none"> > Threads or other pieces have fouled the roller brush > Refuse container full > Side brush set too high > Worn or damaged sealing strip on refuse container 	<ul style="list-style-type: none"> • Remove pieces • Empty container • Set correctly • Replace
‡ Excessive dust during sweeping	<ul style="list-style-type: none"> > Refuse container full > Floor seals not tight > Sweeping speed too high 	<ul style="list-style-type: none"> • Empty container • Replace damaged seals • Reduce speed, at higher sweeping speed swing up the side brush arm for large floor areas
‡ Sweeper leaves marks behind it	<ul style="list-style-type: none"> > Fine dirt has built up around the floor brush 	<ul style="list-style-type: none"> • Clean the area behind the roller brush

GUARANTEE

For the guarantee and the warranty our general terms and conditions apply. We reserve the

right to make changes in the light of technical innovations.

ALTO HEADQUARTERS

ALTO U.S. Inc.
390 South Woods Mill Road
Suite 300
Chesterfield
USA-Missouri 63017-3433
Tel.: (+1) 31 42 05 12 20
Fax: (+1) 31 42 05 15 44

SUBSIDIARIES/DIVISIONS**AUSTRALIA**

ALTO Overseas Inc.
11/8 Resolution Drive
P.O.Box 797
AUS-Caringbah, N.S.W. 2229
Tel: (+61) 295 24 61 22
Fax: (+61) 295 24 52 56

AUSTRIA

Wap Reinigungssysteme GmbH
Metzgerstr. 68
A-5101 Bergheim/Salzburg
Phone: (+43) 662 45 64 00-14
Fax: (+43) 662 45 64 00-55
Mobil: (+43) 664 12 49 55 0

BRASIL

Wap do Brasil Ltda.
Rua 25 de Agosto, 608
Jardim Pinhais
CEP 83323-260 Pinhais/Paraná
BR-Brasil
Tel./Fax (+55) 41 86 74 02 6

CANADA

ALTO Canada
24 Constellation Road
Rexdale
C-Ontario M9W 1K1
Tel: 1 41 66 75 58 30
Fax: 1 41 66 75 69 89

CZECHIA

Wap čistící systémy s.r.o.
Zateckých 9
CZ-140 00 Praha 4
Tel. (+420) 02 / 42 78 38
Fax (+420) 02 / 42 19 25

Wap čistící systémy s.r.o.
Mucednicka 3
CZ-61600 Brno
Tel. (+420) 05 / 41 21 48 85
Fax (+420) 05 / 41 21 48 87

DENMARK

ALTO Danmark A/S
Industrivarteret
DK-9560 Hadsund
Tel: (+45) 72 18 21 00
Fax: (+45) 72 18 21 05

ALTO Danmark A/S

(food division)
Blytækkervej 2,
DK-9000 Aalborg 10
Tel: (+45) 72 18 21 00
Fax: (+45) 72 18 20 99

FRANCE

ALTO France S.A.
B.P. 44, 4 Place d'Ostwald
F-67036 Strasbourg Cedex 2
Tel: (+33) 3 88 28 84 00
Fax: (+33) 3 88 30 05 00

GERMANY

Wap KundenCenter
Tel. (+49) 0180 / 5 37 37 37
Fax (+49) 0180 / 5 37 37 38
e-mail: center@wap-online.de
Besuchen Sie uns im Internet:
http://www.wap-online.com

Wap-Zentrale Bellenberg
Hauptverwaltung
Wap Reinigungssysteme GmbH & Co
D-89287 Bellenberg
Guido-Oberdorfer-Straße 2-8
Tel. (+49) 07306 / 72-0
Fax (+49) 07306 / 7 22 00

RegionalCenter Frankfurt
D-63452 Hanau
Moselstraße 2b
Tel. (+49) 06181 / 18 72-0
Fax (+49) 06181 / 18 72-11
e-mail: rcfm@wap-online.de

RegionalCenter Hannover
D-29227 Celle
Wernerusstraße 25
Tel. (+49) 05141 / 95 55-0
Fax (+49) 05141 / 95 55-95
e-mail: rchann@wap-online.de

RegionalCenter Köln
D-51145 Köln-Porz
Kaiserstraße 127
Tel. (+49) 02203 / 9 22 99-0
Fax (+49) 02203 / 9 22 99-25
e-mail: rckoeln@wap-online.de

RegionalCenter Leipzig
D-04416 Markkleeberg
Wachau/Gewerbegebiet
Südring 16
Tel. (+49) 034297 / 4 87 25
Fax (+49) 034297 / 4 93 57
e-mail: rcleip@wap-online.de

RegionalCenter München
D-85716 Unterschleißheim
Furtweg 11
Tel. (+49) 089 / 32 15 02-0
Fax (+49) 089 / 32 15 02-40
e-mail: rcmuen@wap-online.de

RegionalCenter Stuttgart
D-71069 Sindelfingen
OT Darmsheim
Dornierstraße 7
Tel. (+49) 07031 / 76 70-0
Fax (+49) 07031 / 76 70-20
e-mail: rcstut@wap-online.de

RegionalCenter Ulm
D-89287 Bellenberg
Guido-Oberdorfer-Straße 2-8
Tel. (+49) 07306 / 72-195
Fax (+49) 07306 / 3 41 29
e-mail: rculm@wap-online.de

GREAT BRITAIN

ALTO Cleaning Systems(UK)Ltd.
Gilwilly Industrial Estate
GB-Penrith, Cumbria CA11 9BN
Tel: (+44) 1 7 68 86 89 95
Fax: (+44) 1 7 68 86 47 13
Telex: 64309 kewg

ASIA

Alto Hong Kong
Representative Office
RM 602, Tower B, Regent Ctr.
70, Ta Chung Ping Street
Kwai chun
HK-Hong Kong
Tel. (+852) 26 10 10 42
Fax (+852) 26 10 10 47

JAPAN

ALTO Danmark A/S Japan
Representative Office
Naruse-build 4F
7-2 Shinbashi 1-Chome, Minato-Ku
J-Tokyo 105-004
Tel: (+81) 3 35 69 38 07
Fax: (+81) 3 35 69 38 08

Wap Representative Office
Japan
25-6, Honode Cho
Adachi-Ku
J-Tokyo - 120-0021
Tel. (+81) 3 / 52 44 07 82
Fax (+81) 3 / 52 44 07 83

KROATIA

Wap sistemi za čišćenje, d.o.o.
HR-10000 Zagreb
Florijana Andrašeca 14
Tel. (+385) 01 / 3 09 49 07
(+385) 01 / 3 09 49 09
Fax (+385) 01 / 3 09 49 06

NETHERLANDS

WAP/ALTO Nederland B.V.
Stuurtweg 4C,
NL-4131 NJ Vianen
Tel: (+31) (0) 3 47 32 40 00
Fax: (+31) (0) 3 47 32 40 01

Wap (NL) B.V.
NL-3371 MA Hardinxveld-
Giessendam
Transportweg 53-57
Postbus 65
Tel. (+31) 01846 / 1 81 44
Fax (+31) 01846 / 1 41 13
e-mail: wap.nl@wxs.nl

NORWAY

ALTO Norge AS
Bjørnerudveien 21
Postboks 64, Bjørndal,
N-1266 Oslo
Tel: (+47) 22 75 17 70
Fax: (+47) 22 75 17 71

SINGAPORE

ALTO Danmark A/S
Representative Office
271 Bukit Timah Road
#04-11 Balmoral Plaza
SG-Singapore 259708
Tel: (+65) 8 36 64 55
Fax: (+65) 8 36 64 56

SLOWAKIA

Wap čistiace systémy spol. s.r.o.
SK-83237 Bratislava
Vajnorská 135
Tel. (+421) 7 44 25 96 64
Fax (+421) 7 44 25 79 44

SLOVENIA

Wap čistilni sistemi, d.o.o.
SLO-1110 Ljubljana
Letališka 33
Tel. (+368) 61 44 23 42
Fax (+368) 61 1 40 42 94

SOUTH AFRICA

Wap South Africa (Pty) Ltd.
ZA-Kempton Park (T) 1620
P.O. Box 2122
Tel. (+27) 11 97 57 06 0
Fax (+27) 11 39 43 08 1

SPAIN

Hidrolimpia, S.L.
E-28760 Tres Cantos - Madrid
Ronda de Valdecarrizo 9
- Módulo 5 -
Tel. (+34) 091 / 804 62 56
Fax (+34) 091 / 804 64 63

SWEDEN

ALTO Sverige AB
Aminogatan 18, Box 40 29
S-431 04 Mölndal
Tel: (+46) 31 27 16 00
Fax: (+46) 31 87 24 19

SWITZERLAND

Wap Reinigungssysteme
(Schweiz) AG
CH-5042 Hirschtal / AG
Holzikerstraße 488
Tel. (+4041) 062 / 7 39 32 50
Fax (+4041) 062 / 7 39 32 51

Wap Reinigungssysteme

(Schweiz) AG
CH-1029 Villars-Ste-Croix
Zone industrielle
Croix du Péage
Tel. (+4041) 021 / 6 35 32 74
Fax (+4041) 021 / 6 35 32 75

USA

ALTO U.S.Inc
2100 Highway 265
Springdale
USA-Arkansas 72764
Tel: (+1) 50 17 50 10 00
Fax: (+1) 50 17 56 07 19

ALTO U.S.Inc
1100 Haskins Road
Bowling Green
USA-Ohio 43402
Tel: (+1) 41 93 52 75 11
Fax: (+1) 41 93 53 71 87

ALTO U.S.Inc
P.O.Box 4369
1500 North Belcher Road
Clearwater
USA-Florida 33765
Tel: (+1) 72 74 61 45 55
Fax: (+1) 72 74 61 51 93

Free Manuals Download Website

<http://myh66.com>

<http://usermanuals.us>

<http://www.somanuals.com>

<http://www.4manuals.cc>

<http://www.manual-lib.com>

<http://www.404manual.com>

<http://www.luxmanual.com>

<http://aubethermostatmanual.com>

Golf course search by state

<http://golfingnear.com>

Email search by domain

<http://emailbydomain.com>

Auto manuals search

<http://auto.somanuals.com>

TV manuals search

<http://tv.somanuals.com>