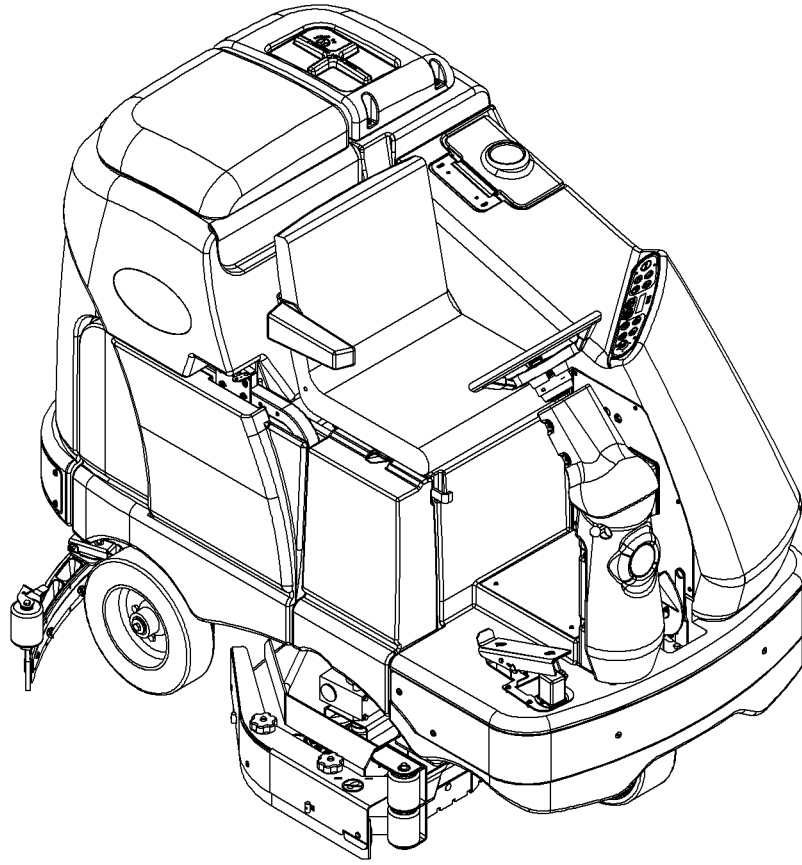


CE 7/10 revised 6/11
FORM NO. 56041978



ecoflex™

A-English
B-Türkçe



Models:

**56413006(BR1100S), 56413007(BR1100S C / w/sweep system)
56413010(BR1300S), 56413011(BR1300S C / w/sweep system)**

Instructions for Use
Original Instructions
Kullanım Talimatları

**BR1100S, BR1300S
INSTRUCTIONS FOR USE**



 **Nilfisk**
trusted since 1906

TABLE OF CONTENTS

	page
Introduction.....	A-2
Cautions and Warnings	A-3
Know Your Machine.....	A-4 – A-5
Control Panel.....	A-6
Prepare the Machine for Use	
Install the Batteries.....	A-7
Install the Brushes	A-8 – A-9
Fill the Solution Tank	A-10
Squeegee Installation.....	A-11
Detergent System.....	A-12 – A-13
Operating the Machine	A-14 – A-15
Scrubbing	A-14 – A-15
Wet Vacuuming	A-14 – A-15
After Use.....	A-16
Maintenance Schedule.....	A-16
Lubricating the Machine	A-16 – A-17
Charging the Batteries.....	A-18
Check the Battery Water Level.....	A-18
Squeegee Maintenance.....	A-19
Squeegee Adjustment	A-19
Side Skirt Maintenance.....	A-20 – A-21
Side Broom Maintenance	A-22
Troubleshooting.....	A-23
Technical Specifications	A-24

INTRODUCTION

This manual will help you get the most from your Nilfisk Rider Scrubber. Read it thoroughly before operating the machine.

Note: Bold numbers in parentheses indicate an item illustrated on pages A-4 – A-6.

This product is intended for commercial use only.

PARTS AND SERVICE

Repairs, when required, should be performed by your Authorized Nilfisk Service Center, who employs factory trained service personnel, and maintains an inventory of Nilfisk original replacement parts and accessories.

Call the NILFISK DEALER named below for repair parts or service. Please specify the Model and Serial Number when discussing your machine.

MODIFICATIONS

Modifications and additions to the cleaning machine which affect capacity and safe operation shall not be performed by the customer or user without prior written approval from Nilfisk-Advance Inc. Unapproved modifications will void the machine warranty and make the customer liable for any resulting accidents.

NAME PLATE

The Model Number and Serial Number of your machine are shown on the Nameplate on the machine. This information is needed when ordering repair parts for the machine. Use the space below to note the Model Number and Serial Number of your machine for future reference.

MODEL NUMBER _____

SERIAL NUMBER _____

UNCRATE THE MACHINE

When the machine is delivered, carefully inspect the shipping packaging and the machine for damage. If damage is evident, save the shipping carton (if applicable) so that it can be inspected. Contact the Nilfisk Customer Service Department immediately to file a freight damage claim. Refer to the unpacking instruction sheet included with the machine to remove the machine from the pallet.

CAUTIONS AND WARNINGS

SYMBOLS

Nilfisk uses the symbols below to signal potentially dangerous conditions. Always read this information carefully and take the necessary steps to protect personnel and property.

DANGER!

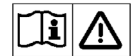
Is used to warn of immediate hazards that will cause severe personal injury or death.

WARNING!

Is used to call attention to a situation that could cause severe personal injury.

CAUTION!

Is used to call attention to a situation that could cause minor personal injury or damage to the machine or other property.



Read all instructions before using.

GENERAL SAFETY INSTRUCTIONS

Specific Cautions and Warnings are included to warn you of potential danger of machine damage or bodily harm.

WARNING!

- This machine shall be used only by properly trained and authorized persons.
- While on ramps or inclines, avoid sudden stops when loaded. Avoid abrupt sharp turns. Use low speed down hills. Clean only while ascending (driving up) the ramp.
- Keep sparks, flame and smoking materials away from batteries. Explosive gases are vented during normal operation.
- Charging the batteries produces highly explosive hydrogen gas. Charge batteries only in well-ventilated areas, away from open flame. Do not smoke while charging the batteries.
- Remove all jewelry when working near electrical components.
- Turn the key switch off (O) and disconnect the batteries before servicing electrical components.
- Never work under a machine without safety blocks or stands to support the machine.
- Do not dispense flammable cleaning agents, operate the machine on or near these agents, or operate in areas where flammable liquids exist.
- Do not clean this machine with a pressure washer.
- Only use the brushes provided with the appliance or those specified in the instruction manual. The use of other brushes may impair safety.

CAUTION!

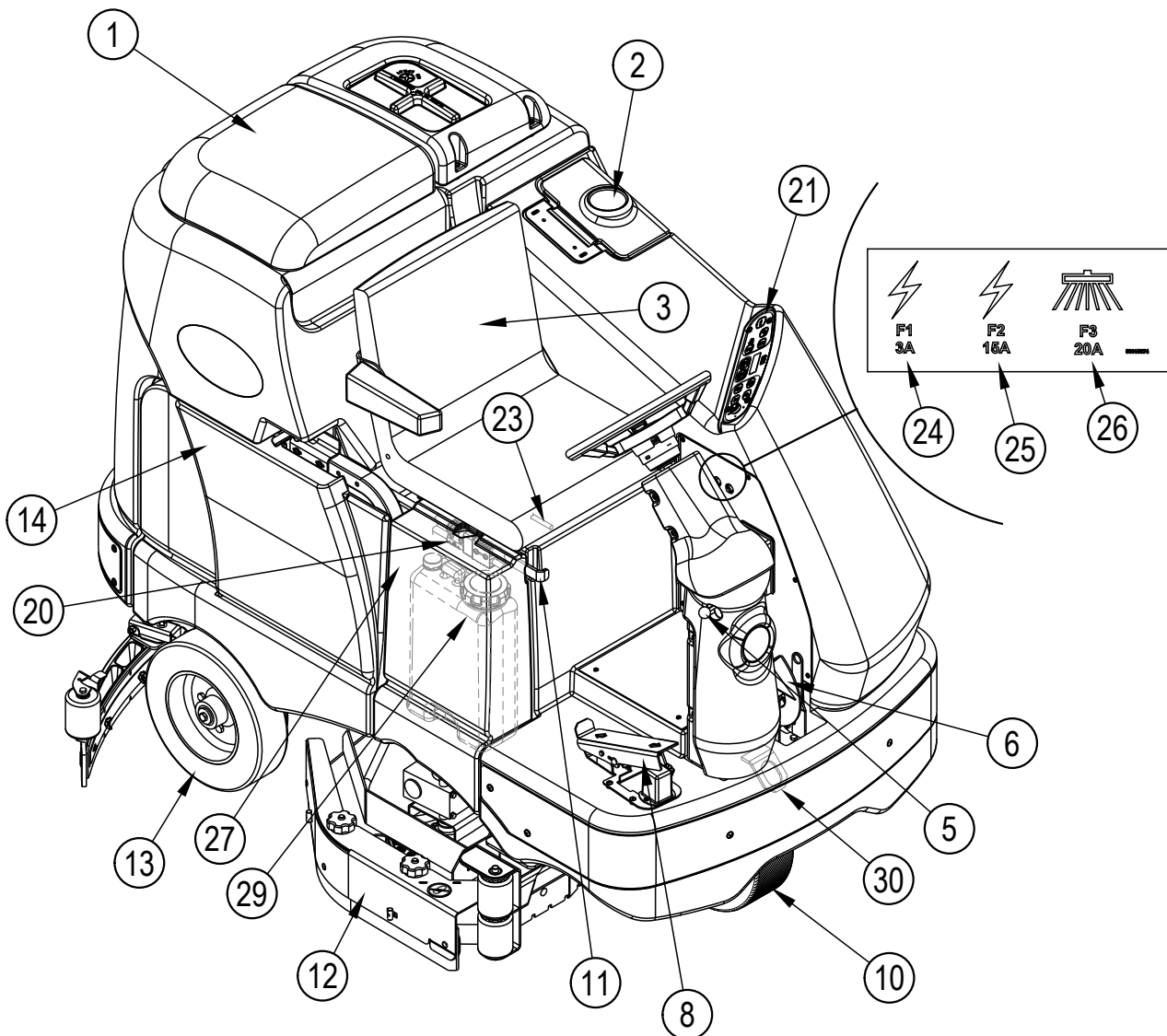
- This machine is not approved for use on public paths or roads.
- This machine is not suitable for picking up hazardous dust.
- Do not use scarifier discs and grinding stones. Nilfisk will not be held responsible for any damage to floor surfaces caused by scarifiers or grinding stones (can also cause damage to the brush drive system).
- When operating this machine, ensure that third parties, particularly children, are not endangered.
- Before performing any service function, carefully read all instructions pertaining to that function.
- Do not leave the machine unattended without first turning the key switch off (O), removing the key and applying the parking brake.
- Turn the key switch off (O) and remove the key, before changing the brushes, and before opening any access panels.
- Take precautions to prevent hair, jewelry, or loose clothing from becoming caught in moving parts.
- Use caution when moving this machine in below freezing temperature conditions. Any water in the solution, recovery or detergent tanks or in the hose lines could freeze, causing damage to valves and fittings. Flush with windshield washer fluid.
- The batteries must be removed from the machine before the machine is scrapped. The disposal of the batteries should be safely done in accordance with your local environmental regulations.
- Do not use on surfaces having a gradient exceeding that marked on the machine.
- All doors and covers are to be positioned as indicated in the instruction manual before using the machine.

SAVE THESE INSTRUCTIONS

KNOW YOUR MACHINE

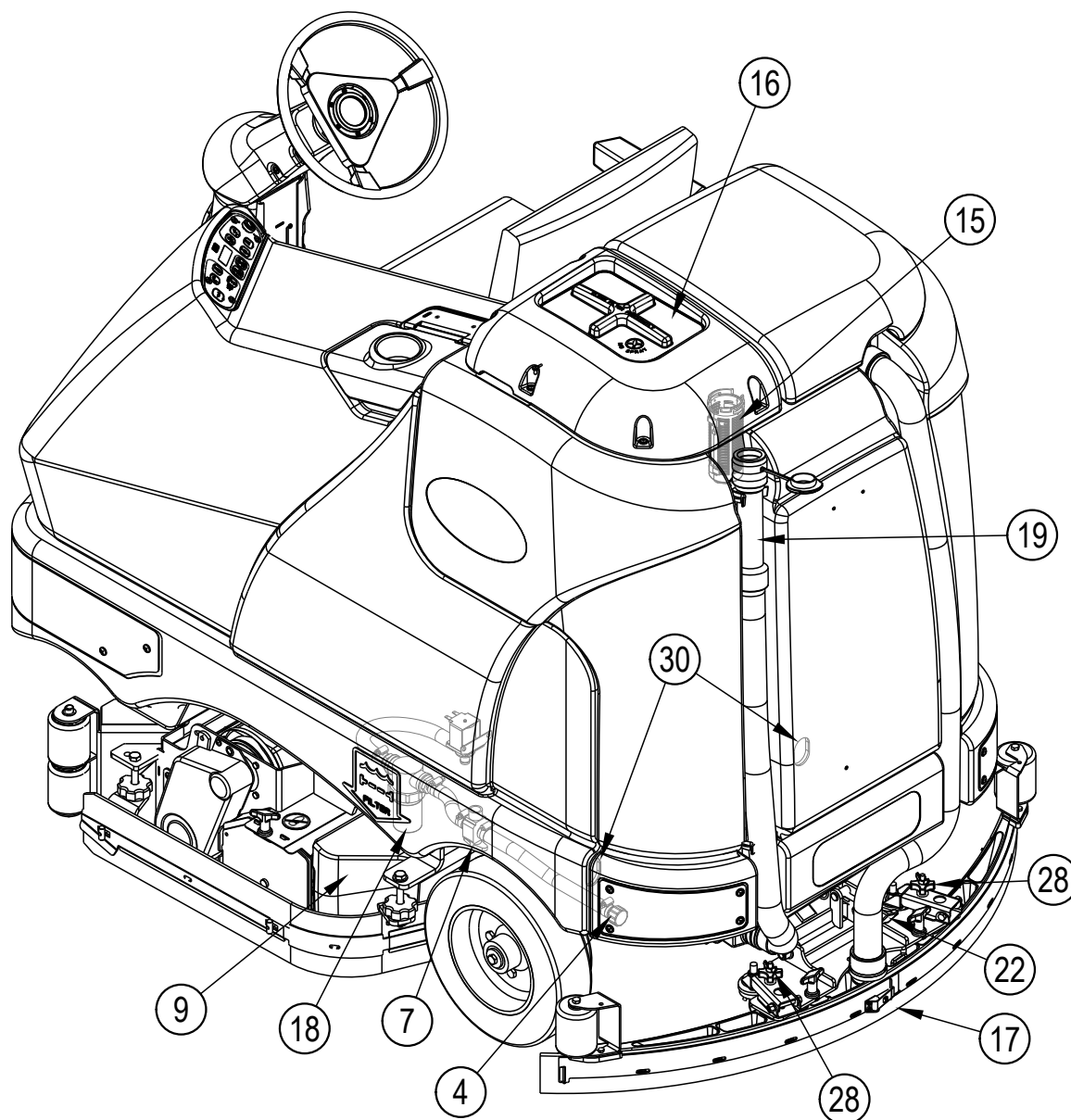
As you read this manual, you will occasionally run across a bold number or letter in parentheses - example: **(2)**. These numbers refer to an item shown on these pages unless otherwise noted. Refer back to these pages whenever necessary to pinpoint the location of an item mentioned in the text. **NOTE:** Refer to the service manual for detailed explanations of each item illustrated on the next 3 pages.

- 1 Recovery Tank Cover
- 2 Solution Tank Fill Cover
- 3 Operator's Seat
- 4 Solution Tank Drain Hose
- 5 Steering Wheel Tilt Adjust Knob
- 6 Brake Pedal / Parking Brake
- 7 Solution Shut off Valve
- 8 Drive Pedal, Directional/Speed
- 9 Hopper (cylindrical models only)
- 10 Drive and Steer Wheel
- 11 Emergency Stop Switch / Battery Disconnect
- 12 Scrub Deck
- 13 Rear Wheel
- 14 Battery Compartment (under recovery tank)



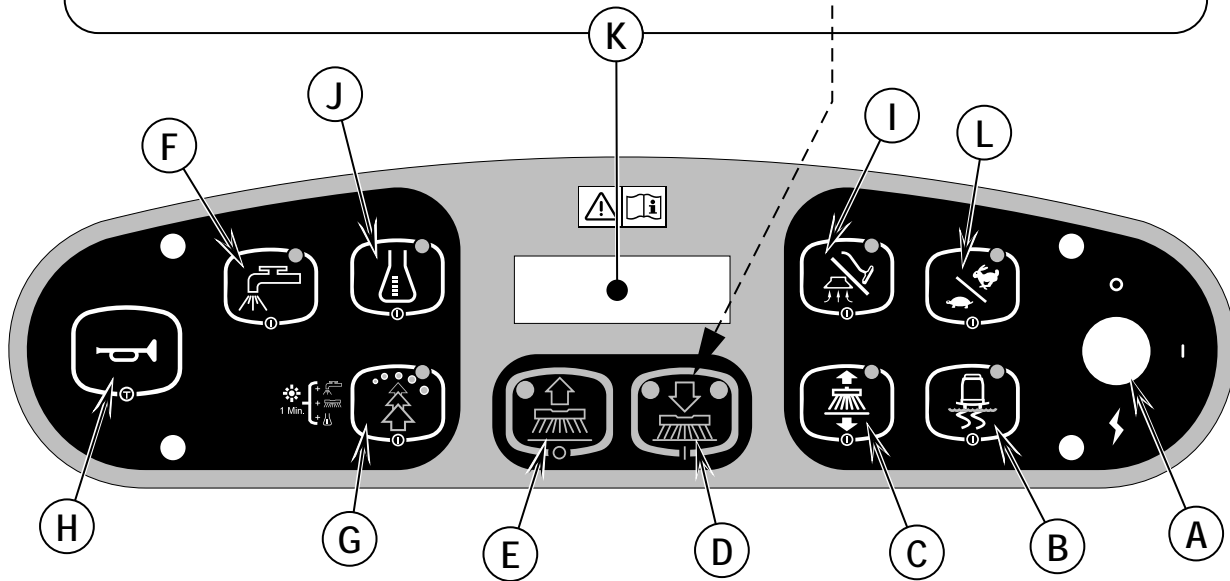
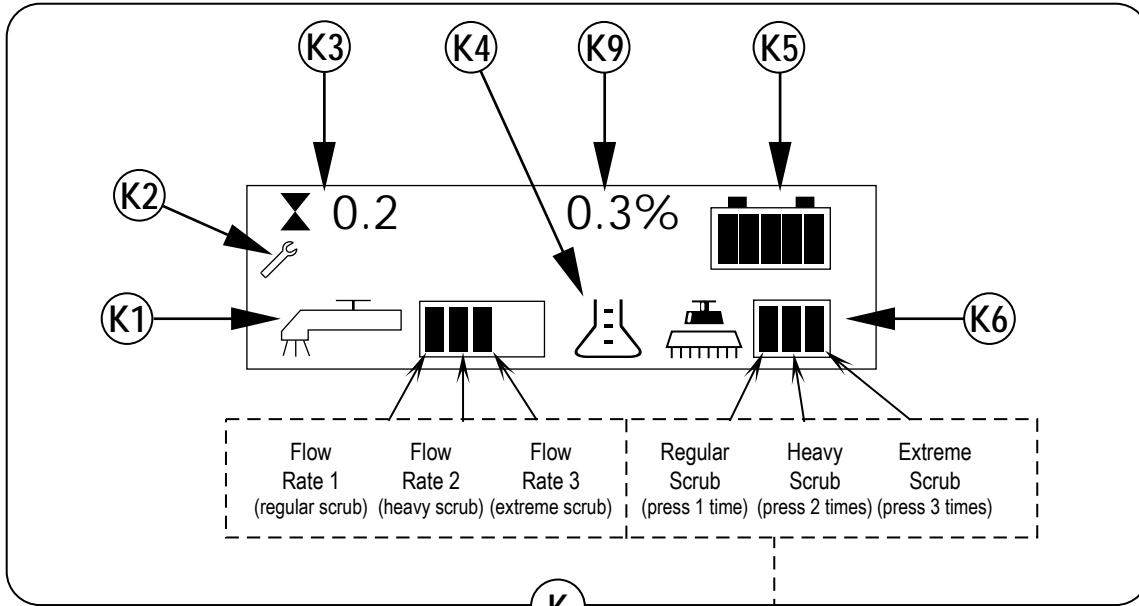
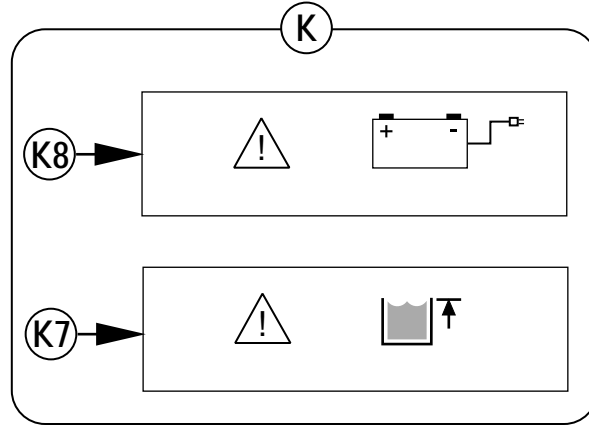
KNOW YOUR MACHINE

- 15 Recovery Tank Shutoff Float
- 16 Vacuum Motor Filter Housing
- 17 Squeegee Assembly
- 18 Solution Filter
- 19 Recovery Tank Drain Hose
- 20 Machine Battery Connector
- 21 Control Panel
- 22 Squeegee Tilt Adjust Knob
- 23 Operator Seat Adjustment Lever
- 24 Control Circuit Breaker
- 25 Auxiliary Circuit Breaker
- 26 Side Broom Motor Circuit Breaker
- 27 Side Access Panel
- 28 Squeegee Height Adjust Knob
- 29 Detergent Cartridge (EcoFlex models only)
- 30 Tie Down Locations



CONTROL PANEL

- A Key Switch
- B Traction Control Switch
- C Side Broom Switch (cylindrical models only)
- D Scrub ON / Scrub Mode Select
- E Scrub OFF
- F Solution Switch
- G EcoFlex™ Switch
- H Horn
- I Vacuum / Wand Switch
- J Detergent System (EcoFlex models only)
- K Display
- K1 Solution Flow Indicator
- K2 Fault Indicator
- K3 Hour Meter
- K4 Detergent Indicator (if so equipped)
- K5 Battery Indicator
- K6 Scrub Pressure Indicator
- K7 Recovery Tank FULL Indicator
- K8 Battery Low Indicator
- K9 Detergent Percentage Indicator
- L Scrub Speed Switch



INSTALL THE BATTERIES



WARNING!

Use extreme caution when working with batteries. Sulfuric acid in batteries can cause severe injury if allowed to contact the skin or eyes. Explosive hydrogen gas is vented from the batteries through openings in the battery caps. This gas can be ignited by any electrical arc, spark or flame. Do not install any lead-acid battery in a sealed container or enclosure. Hydrogen gas from overcharging must be allowed to escape.

When Servicing Batteries...

- * Remove all jewelry
- * Do not smoke
- * Wear safety glasses, rubber gloves and a rubber apron
- * Work in a well-ventilated area
- * Do not allow tools to touch more than one battery terminal at a time
- * ALWAYS disconnect the negative (ground) cable first when replacing batteries to prevent sparks.
- * ALWAYS connect the negative cable last when installing batteries.



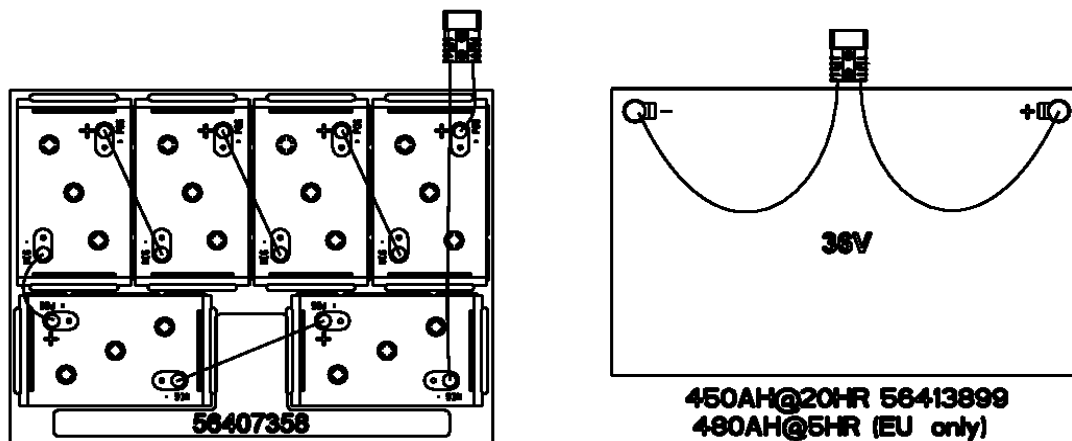
CAUTION!

Electrical components in this machine can be severely damaged if the batteries are not installed and connected properly. Batteries should be installed by Nilfisk or by a qualified electrician.

- 1 Remove the batteries from their shipping crate and carefully inspect them for cracks or other damage. If damage is evident, contact the carrier that delivered them or the battery manufacturer to file a damage claim.
- 2 Turn the Master Key Switch (A) OFF and remove the key.
- 3 Remove the recovery tank from the machine. **NOTE:** Disconnect the tether and the vacuum motor wiring and lift the tank straight up and off the machine.
- 4 Your machine comes from the factory with enough battery cables to install six 6 volt batteries. Using at least (2) people and an appropriate lifting strap, carefully lift the batteries into the battery compartment and arrange them exactly as shown in **FIGURE 1**. Secure the batteries as close to the front of the machine as possible. If installing a mono-block battery use an overhead hoist.
- 5 Install the battery cables as shown. Position the cables so the battery caps can be easily removed for battery service.
- 6 Carefully tighten the nut in each battery terminal until the terminal will not turn. Do not over-tighten the terminals, or they will be very difficult to remove for future service.
- 7 Coat the terminals with spray-on battery terminal coating (available at most auto parts stores).
- 8 Put one of the black rubber boots over each of the terminals and connect the Battery Pack Connector (20).

FIGURE 1

**450AH @ 20HR RATE
(6) MAX 1300LB/590KG**



56407358
395AH@20HR 56388582

450AH@20HR 56413899
480AH@5HR (EU only)



FRONT

56015272

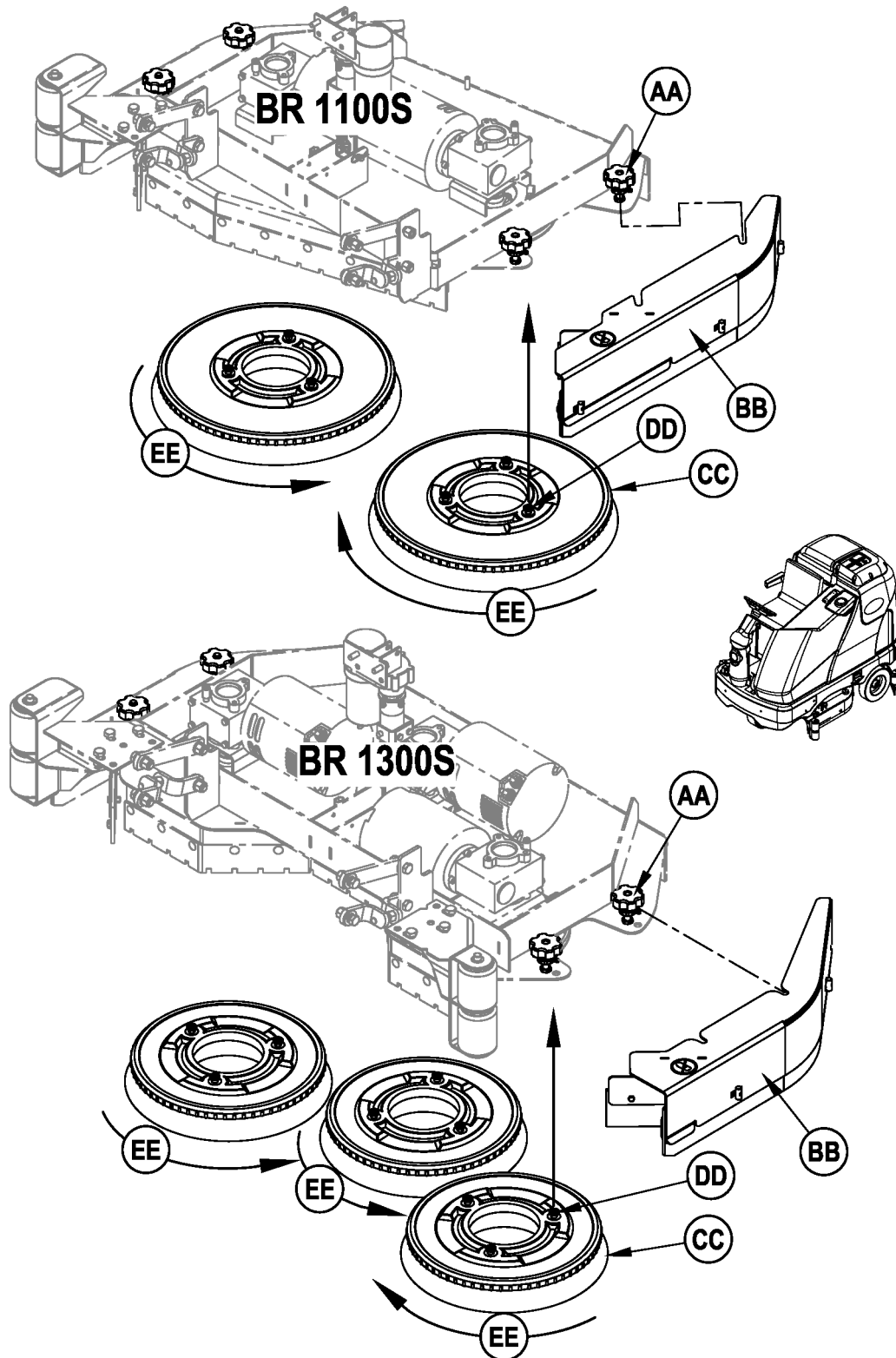
INSTALL THE BRUSHES (DISC SYSTEM)

CAUTION!

Turn the key switch off (O) and remove the key, before changing the brushes, and before opening any access panels.

- 1 Make sure the Scrub Deck is in the RAISED position. Make sure the Key Switch (A) is off (O).
- 2 **See Figure 2.** Remove both side skirt assemblies. **NOTE:** The skirts are held in place by two large Knobs (AA). Loosen these knobs and slide the Skirt Assemblies (BB) off of the Scrub Deck.
- 3 To mount the Brushes (CC) (or pad holders) align the Lugs (DD) on the brush with the holes on the mounting plate and turn to lock in place (turn the outside edge of brush towards the front of machine as shown (EE)).

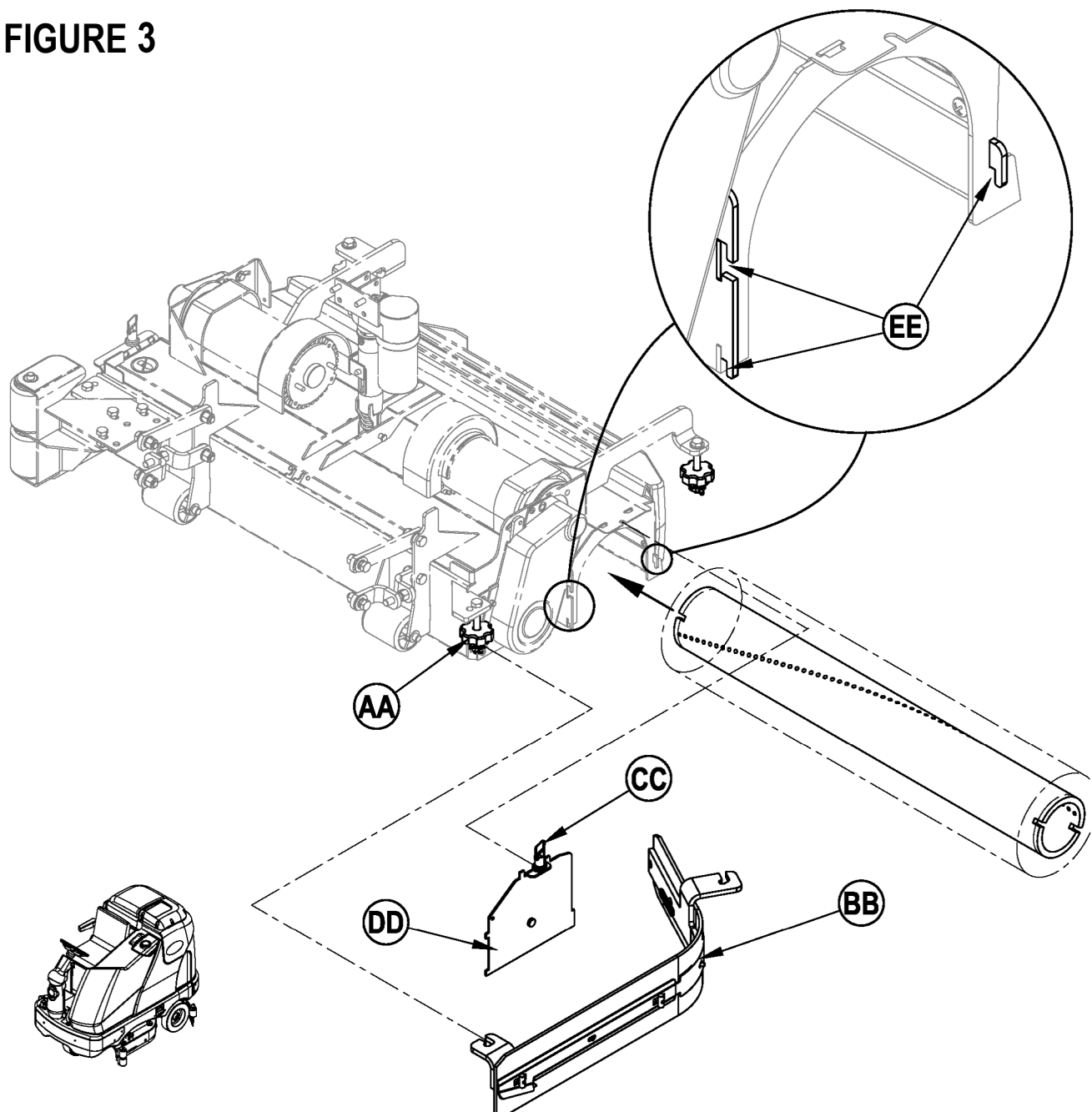
FIGURE 2



INSTALL THE BRUSHES (CYLINDRICAL SYSTEM)**CAUTION!**

Turn the key switch off (O) and remove the key, before changing the brushes, and before opening any access panels.

- 1 Make sure the Scrub Deck is in the RAISED position. Make sure the Key Switch (A) is off (O).
- 2 See Figure 3. Remove both side skirt assemblies. **NOTE:** The skirts are held in place by two large Knobs (AA). Loosen these knobs, slide the Skirt Assemblies (BB) forward slightly and then off of the Scrub Deck.
- 3 Loosen the Black Knobs (CC) on top of the Idler Assemblies (DD) until they drop down far enough to disengage from the Notches (EE) and remove.
- 4 Slide the brush into the housing, lift slightly, push and turn until it seats. Re-install the Idler Assemblies (DD) and Skirt Assemblies (BB).

FIGURE 3

FILLING THE SOLUTION TANK

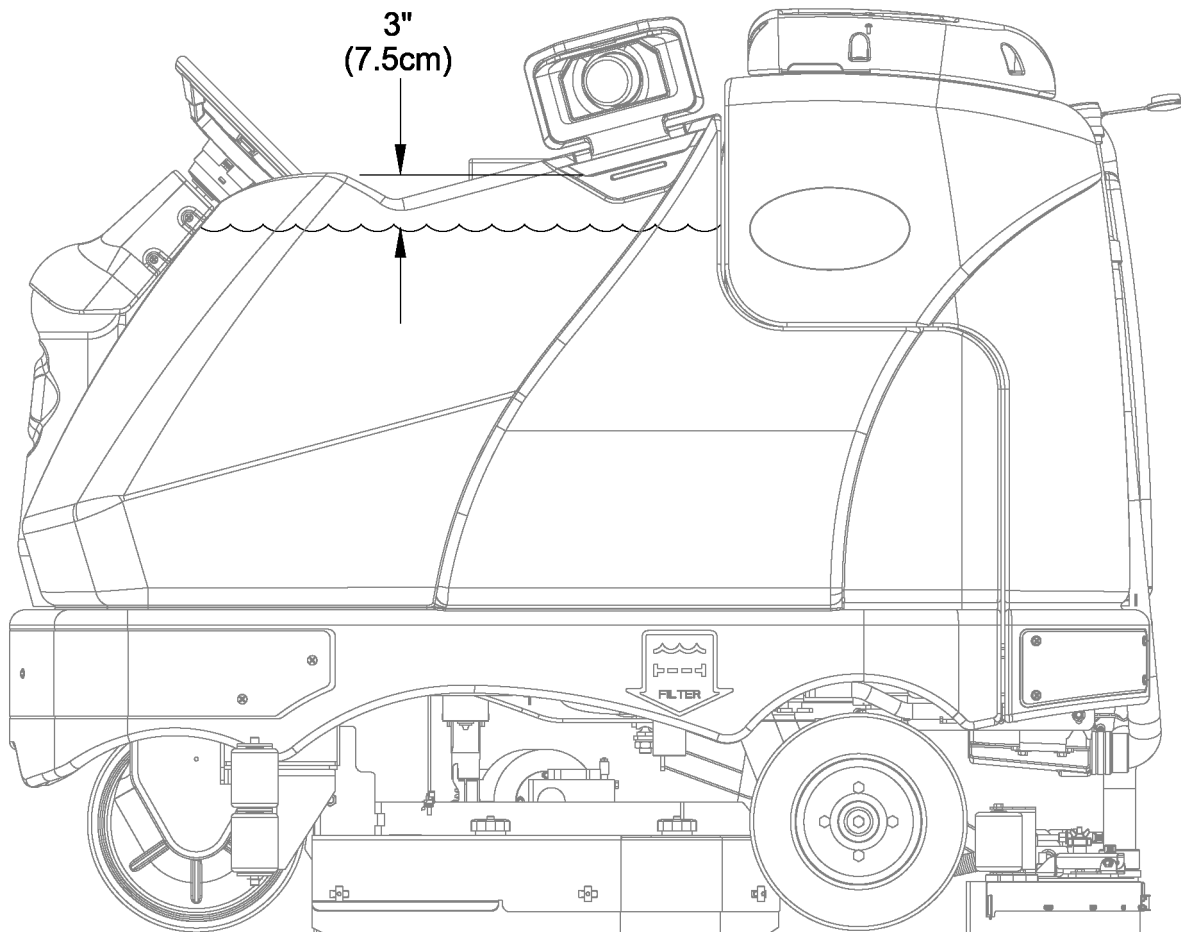
See Figure 4. Fill the solution tank with a maximum of 70 gallons (264 Liters) of cleaning solution. Do not fill the solution tank above 7.5 cm (3 inches) from the bottom of the Solution Fill (2). The solution should be a mixture of water and the proper cleaning chemical for the job. Always follow the dilution instructions on the chemical container label. **NOTE:** EcoFlex machines can either be used conventionally with detergent mixed in the tank or the detergent dispensing system can be used. When using the detergent dispensing do not mix detergent in the tank, plain water should be used.



CAUTION!

Use only low-foaming, non-flammable liquid detergents intended for machine application. Water temperature should not exceed 130 degrees fahrenheit (54.4 degrees celsius)

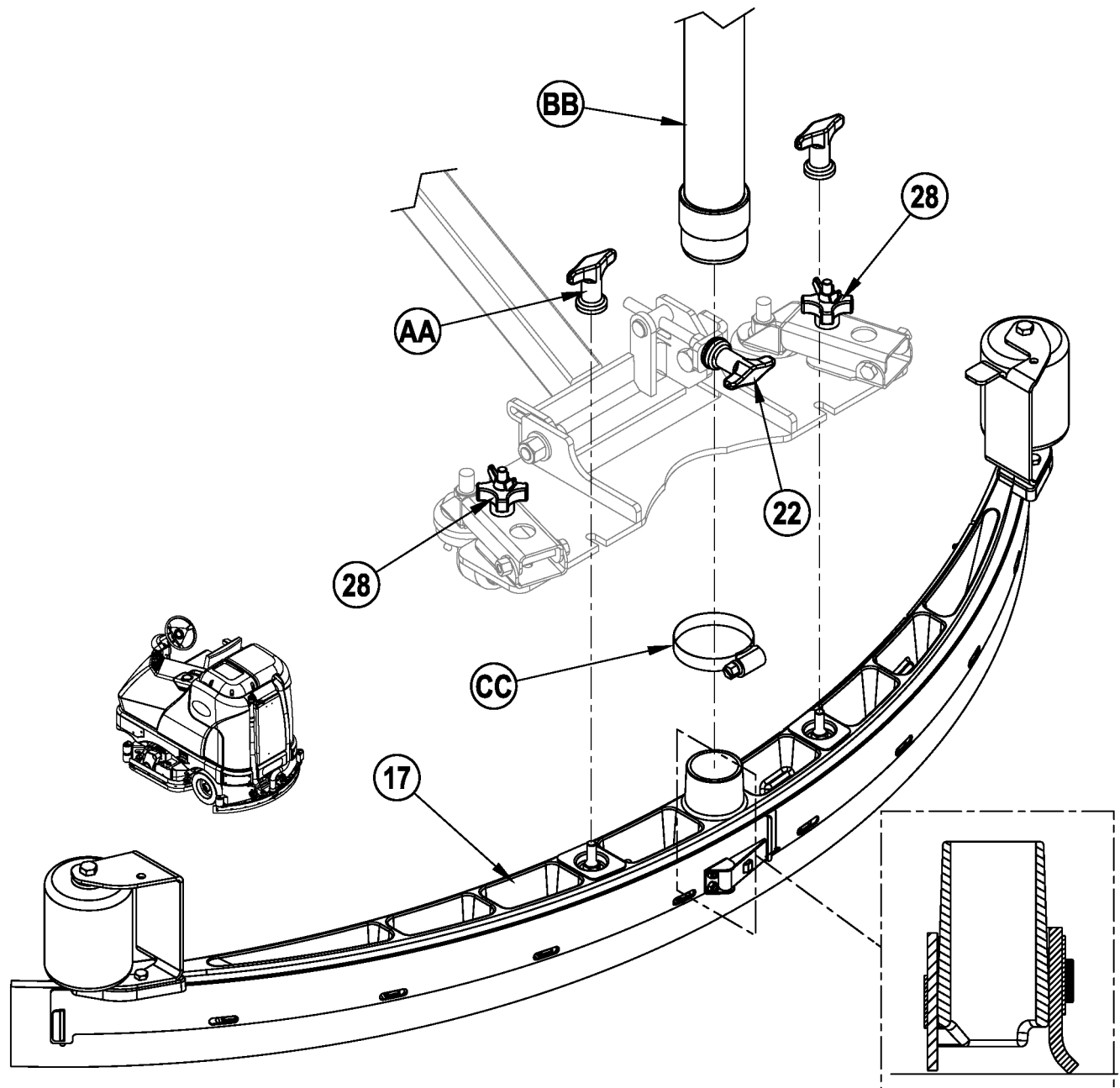
FIGURE 4



SQUEEGEE INSTALLATION

- 1 See Figure 5. Slide the Squeegee Assembly (17) onto the squeegee mount bracket and tighten the Squeegee Mount Thumb Nuts (AA).
- 2 Connect the Recovery Hose (BB) to the squeegee inlet using Hose Clamp (CC).
- 3 Lower the squeegee, move the machine ahead slightly and adjust the squeegee tilt and height using the Squeegee Tilt Adjust Knob (22) and Squeegee Height Adjust Knobs (28) so that the rear squeegee blade touches the floor evenly across its entire width and is bent over slightly as shown in the squeegee cross section.

FIGURE 5



DETERGENT SYSTEM PREPARATION AND USE (ECOFLEX MODELS ONLY)

COMMON INSTRUCTIONS:

Pressing and releasing the Detergent Switch (**J**) while the solution system is active will cause the detergent system to alternately turn on and off. The system should be purged of previous detergent when switching to a different detergent. **SERVICE NOTE:** Move machine over floor drain before purging because a small amount of detergent will be dispensed in the process.

To Purge When Changing Chemicals:

- 1 Disconnect and remove the detergent cartridge.
- 2 Turn the Key Switch (**A**) ON. Press and hold the Solution Switch (**F**) and the Detergent Switch (**J**) down for 3 seconds. **NOTE:** Once activated the purge process takes 10 seconds. See illustration on next page for Detergent System indicators. Normally one purge cycle is adequate to purge the system.

To Purge Weekly:

- 1 Disconnect and remove the detergent cartridge. Install and connect a Cartridge filled with clean water.
- 2 Turn the Key Switch (**A**) ON. Press and hold Solution Switch (**F**) and the Detergent Switch (**J**) down for 3 seconds. **NOTE:** Once activated the purge process takes 10 seconds. See illustration on next page for Detergent System indicators. Normally one purge cycle is adequate to purge the system.

Detergent Percentage:

- 1 The detergent percentage default is 0.25%. To change the percentage, the detergent system must be OFF, then press and hold the Detergent ON/OFF Switch (**J**) for 2 seconds. The detergent indicator will flash and each press of the switch will cycle through the available percentages (3%, 2%, 1.5%, 1%, 0.8%, 0.66%, 0.5%, 0.4%, 0.3%, 0.25%). Once the desired percentage is displayed on the screen (**K9**), stop and it will lock in after 5 seconds.

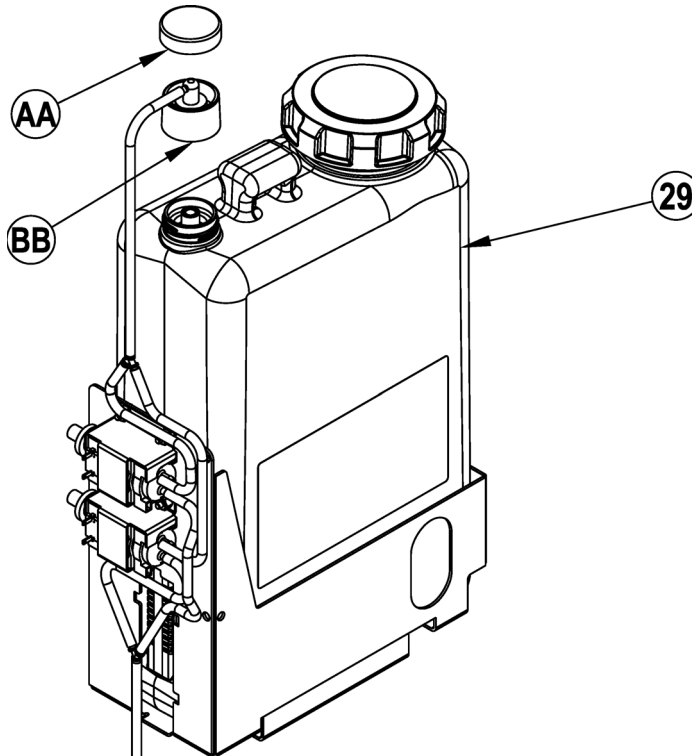
CARTRIDGE INSTRUCTIONS:

The Detergent Cartridge (**29**) is located behind the Side Access Panel (**27**). Fill the detergent cartridge with a maximum of 2.2 gallons (8.32 Liters) of detergent.

SERVICE NOTE: Remove the detergent cartridge from the detergent box prior to filling to avoid spilling detergent on the machine.

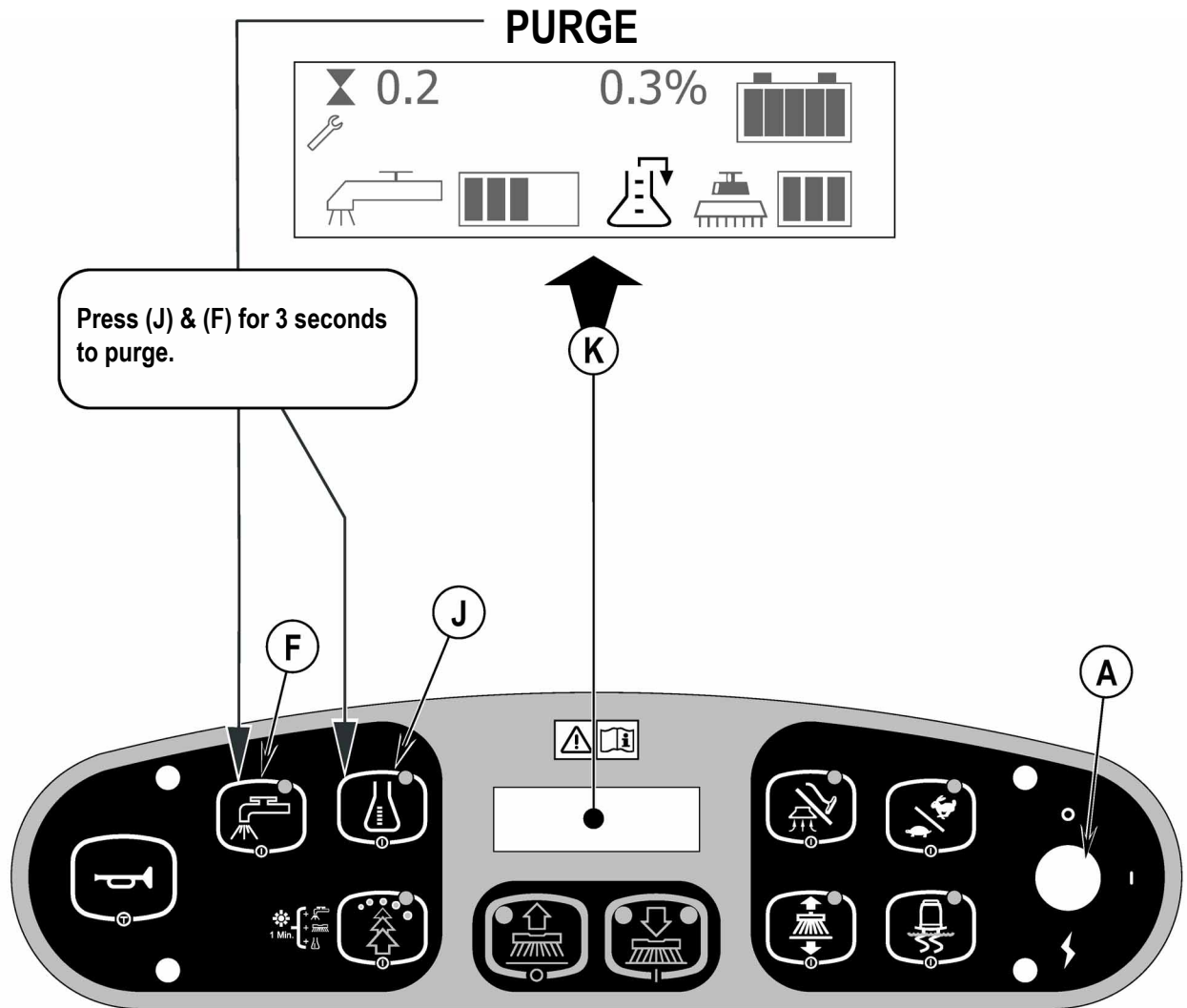
It is recommended that a separate cartridge be used for each detergent you plan to use. The detergent cartridges have a white decal on them so you can write the detergent name on each cartridge to avoid mixing them up. The system should be purged of previous detergent when switching to a different detergent. When installing a new cartridge, remove the Cap (**AA**) and place the cartridge in the detergent box. Install the Dry Break Cap (**BB**) and detergent hose as shown.

FIGURE 6



DETERGENT SYSTEM PREPARATION AND USE (ECOFLEX MODELS ONLY)

FIGURE 7



OPERATING THE MACHINE



WARNING!

Be sure you understand the operator controls and their functions.

While on ramps or inclines, avoid sudden stops when loaded. Avoid abrupt sharp turns. Use low speed down hills. Clean only while ascending (driving up) the ramp.

To Scrub...

Follow the instructions in preparing the machine for use section of this manual.

- 1 See **Figure 8**. While seated on the machine, adjust the seat and steering wheel to a comfortable operating position using the adjustment controls **(23)** and **(5)**.
- 2 Turn the Master Key Switch **(A)** ON (I). This will display the control panel indicator lights. Reference the Battery Condition Indicator **(K5)** and Hour Meter **(K3)** before proceeding.
- 3 Release the Parking Brake **(6)**. To transport the machine to the work area, apply even pressure with your foot on the front of the Drive Pedal **(8)** to go forward or the rear of the pedal for reverse. Vary the pressure on the foot pedal to obtain the desired speed.
- 4 Press the Solution Switch **(F)** and hold for 5 seconds to pre-wet the floor. **NOTE:** This will help prevent scarring of the floor surface when starting to scrub with dry brushes. This must be done prior to pressing the Scrub ON Switch **(D)**.
- 5 Press the Scrub ON Switch **(D)** once for Regular Scrub, twice for Heavy Scrub or three times for Extreme Scrub mode. Both the solution flow and detergent (EcoFlex models) flow have 3 presets that coincide with the 3 scrub modes (see Control Panel).
NOTE: There is a solution flow rate override function if you wish to increase solution flow without increasing scrub pressure. Hold the Solution Switch **(F)** for 3 seconds (solution indicator will start flashing) and then let go. You then have 3 seconds to set a different flow rate by simply pressing the Solution Switch **(F)** repeatedly until the Solution Flow Indicator **(K1)** shows the rate you desire (1-5 / see Control Panel). Any subsequent scrub pressure adjustments will reset the solution flow rate to default.
NOTE: The scrub, solution, vacuum, detergent (EcoFlex models) and side broom (cylindrical models) systems are automatically enabled when the Scrub ON Switch **(D)** is pressed. Any individual system can be turned OFF or back ON by simply pressing its switch at any time during scrubbing.
- 6 When the Scrub ON Switch **(D)** is selected, the brushes, squeegee and side brooms (cylindrical models) are automatically lowered to the floor. The scrub, solution, vacuum, detergent (EcoFlex models) and side broom (cylindrical models) systems all start when the Drive Pedal **(8)** is activated.
NOTE: When operating the machine in reverse the squeegee automatically raises.
- 7 Begin scrubbing by driving the machine forward in a straight line at a normal walking speed and overlap each path by 2-3 inches (50-75 mm). Adjust the machine speed and solution flow when necessary according to the condition of the floor.
NOTE: The maximum scrub speed can be increased by pressing the Scrub Speed Switch **(L)**. The normal max scrub speed is 80% of transport speed. Pressing this switch increases it to 100% of transport speed.
If scrubbing on a smooth floor surface or double-scrubbing turning on the Traction Control™ button **(B)** regulates the drive wheel torque providing increased control and enhanced traction on the floor.
The side broom height can be adjusted. See the "Side Broom Maintenance" section of this manual.



CAUTION!

To avoid damaging the floor, keep the machine moving while the brushes are turning.

- 8 When scrubbing, check behind the machine occasionally to see that all of the waste water is being picked up. If there is water trailing the machine, you may be dispensing too much solution, the recovery tank may be full, or the squeegee tool may require adjustment.
- 9 The machine defaults to the EcoFlex cleaning mode (EcoFlex Switch Indicator is lit) conserving solution and detergent. Press the EcoFlex Switch **(G)** to override the EcoFlex cleaning mode and temporarily increase scrub pressure, solution flow and the detergent percentage. This will cause the indicator to flash for one minute, solution flow rate will increase to the next level, scrub pressure will increase to the next level and the detergent percentage will increase to the next larger percentage.
- 10 For extremely dirty floors, a one-pass scrubbing operation may not be satisfactory and a "double-scrub" operation may be required. This operation is the same as a one-pass scrubbing except on the first pass the squeegee is in the up position (press the Vacuum/Wand Switch **(I)** to raise the squeegee). This allows the cleaning solution to remain on the floor to work longer. The final pass is made over the same area, with the squeegee lowered to pick up the accumulated solution.
- 11 The recovery tank has a shut-off float **(15)** that causes ALL systems to turn OFF except the drive system when the recovery tank is full. When this float is activated, the recovery tank must be emptied. The machine will not pick up water or scrub with the float activated.
NOTE: All other indicators vanish and a "Recovery Tank FULL" Indicator **(K7)** appears on the Display Panel when the float is activated. If the control repeatedly gives a full indication when the tank is not full, the automatic shut-off feature can be disabled, have a qualified service technician refer to the service manual to perform this function.
- 12 When the operator wants to stop scrubbing or the recovery tank is full, press the Scrub OFF Switch **(E)** once. This will automatically stop the scrub brushes and solution flow and the scrub deck will raise up. The squeegee will raise up after a brief delay and the vacuum will stop after a brief delay (this is to allow any remaining water to be picked up without turning the vacuum back on).
- 13 Drive the machine to a designated waste water "DISPOSAL SITE" and empty the recovery tank. To empty, pull the Drain Hose **(19)** from its rear storage area, then remove the plug (hold the end of the hose above the water level in the tank to avoid sudden, uncontrolled flow of waste water). Refill the solution tank and continue scrubbing.
NOTE: Make sure the Recovery Tank Cover **(1)** and the Recovery Tank Drain Hose **(19)** cap are properly seated or the machine will not pick-up water correctly.

When the batteries require recharging the Battery LOW Indicator **(K8)** will come on, the scrub brushes and solution flow will stop and the scrub deck will raise up. The squeegee will raise up after a brief delay and the vacuum will stop after a brief delay. Transport the machine to a service area and recharge the batteries according to the instructions in the Battery section of this manual.

WET VACUUMING

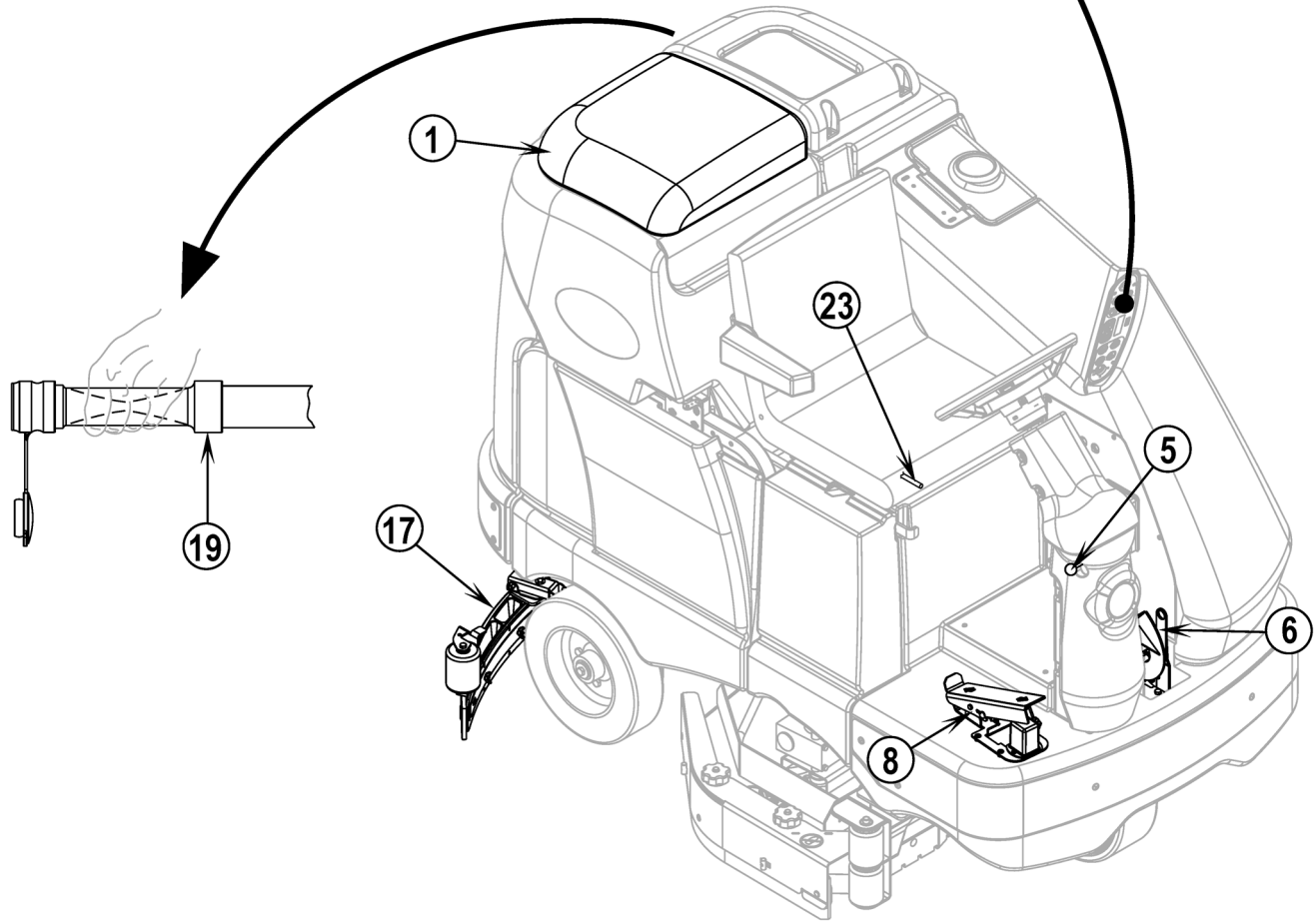
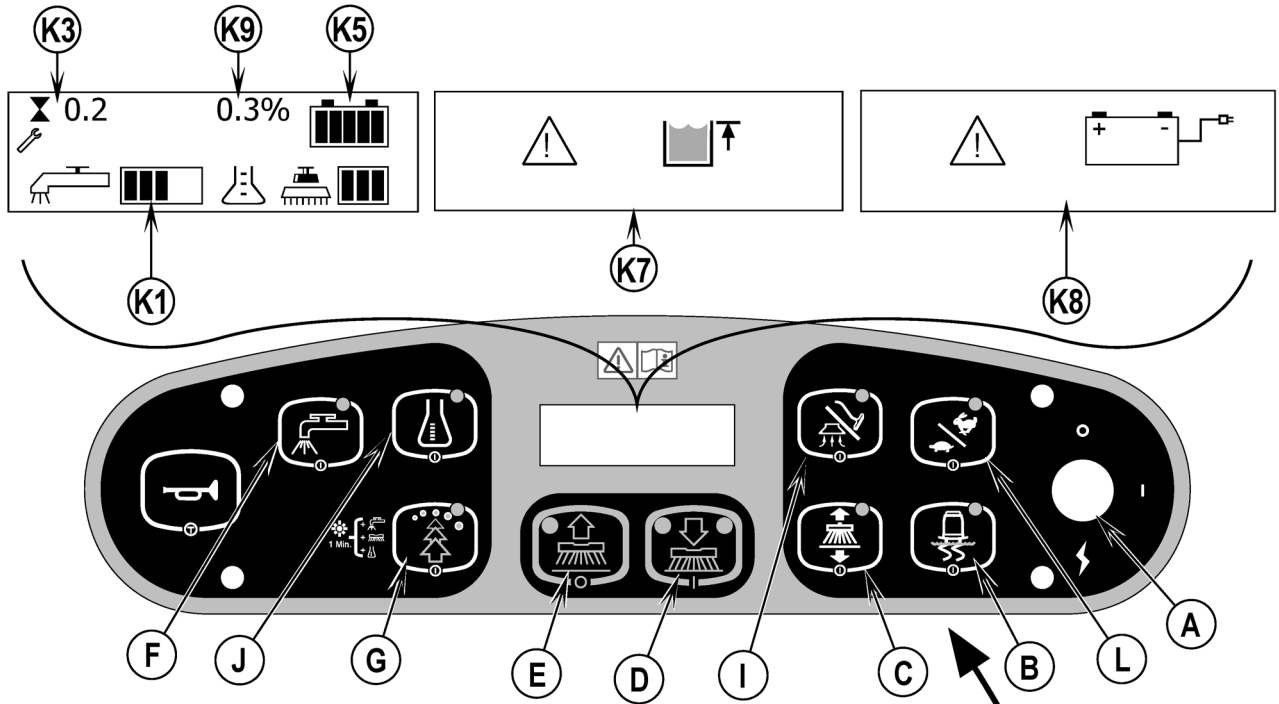
Steps to follow in fitting the machine with optional attachments for wet vacuuming.

- 1 Disconnect the recovery hose from the squeegee **(17)**. Connect the coupler and hose from the wand kit to the recovery hose.
- 2 Attach suitable wet pick-up tools to the hose. (An optional Wand Kit **PN56413687** is available from Nilfisk).
- 3 Turn the Master Key Switch **(A)** ON and press the Vacuum/Wand Switch **(I)**. The vacuum motor and the pump will run continuously until the switch is pressed again to turn it OFF. **NOTE:** The "Recovery Tank FULL" indicator is disabled when the wand mode is activated. The float will stop the flow into the recovery tank.

SERVICE NOTE: Refer to the service manual for detailed functional descriptions of all controls and optional programmability.

OPERATING THE MACHINE

FIGURE 8



AFTER USE

- 1 When finished scrubbing, press the Scrub Off Switch (E). This will automatically raise, retract and stop all the machine systems (brush, squeegee, vacuum, solution and detergent (EcoFlex models)). Then drive the machine to a service area for daily maintenance and review of other needed service up keep.
- 2 To empty the solution tank, remove the Solution Drain Hose (4) from it's storage clamp. Direct the hose to a designated "DISPOSAL SITE" and remove the plug. Rinse the tank with clean water.
- 3 To empty the recovery tank, pull the Recovery Tank Drain Hose (19) from its storage area. Direct the hose to a designated "DISPOSAL SITE" and remove the plug (hold the end of the hose above the water level in the tank to avoid sudden, uncontrolled flow of waste water). The Recovery Tank Drain Hose can be squeezed to regulate the flow. Rinse the recovery tank with clean water. Inspect the recovery and vacuum hoses; replace if kinked or damaged.
- 4 Remove the brushes or pad holders. Rinse the brushes or pads in warm water and hang up to dry.
- 5 Remove the squeegee, rinse it with warm water and re-install on mount.
- 6 Remove the hopper on cylindrical systems and clean thoroughly. Remove from either side of the machine by removing the skirt and tilting the hopper up and away from housing, then pull out.
- 7 Check the maintenance schedule below and perform any required maintenance before storage

MAINTENANCE SCHEDULE

MAINTENANCE ITEM	Daily	Weekly	Monthly	Yearly
Charge Batteries	X			
Check/Clean Tanks & Hoses	X			
Check/Clean/Rotate the Brushes/Pads	X			
Check/Clean the Squeegee	X			
Check/Clean Vacuum Shut-Off Float	X			
Check/Clean the vacuum motor foam filter(s)	X			
Clean Hopper on Cylindrical System	X			
Check Each Battery Cell(s) Water Level		X		
Inspect Scrub Housing Skirts		X		
Inspect and clean Solution Filter		X		
Check Foot/ Parking Brake For Wear & Adjustment		X		
Clean Solution Trough on Cylindrical System		X		
Purge Detergent System (EcoFlex only)		X		
Side Broom Maintenance		X		
Lubrication - Grease Fittings			X	
* Check Carbon Brushes				X

* Have Nilfisk check the vacuum motor carbon motor brushes once a year or after 300 operating hours. The brush and drive motor carbon brushes check every 500 hours or once a year.

NOTE: Refer to the Service Manual for more detail on maintenance and service repairs.

- 8 Store the machine indoors in a clean dry place. Keep from freezing. Leave the tanks open to air them out.
- 9 Turn the Master Key Switch (A) OFF (O) and remove the key.

LUBRICATING THE MACHINE – FIGURE 9

Once a month, pump a small amount of grease into each grease fitting on the machine until grease seeps out around the bearings.

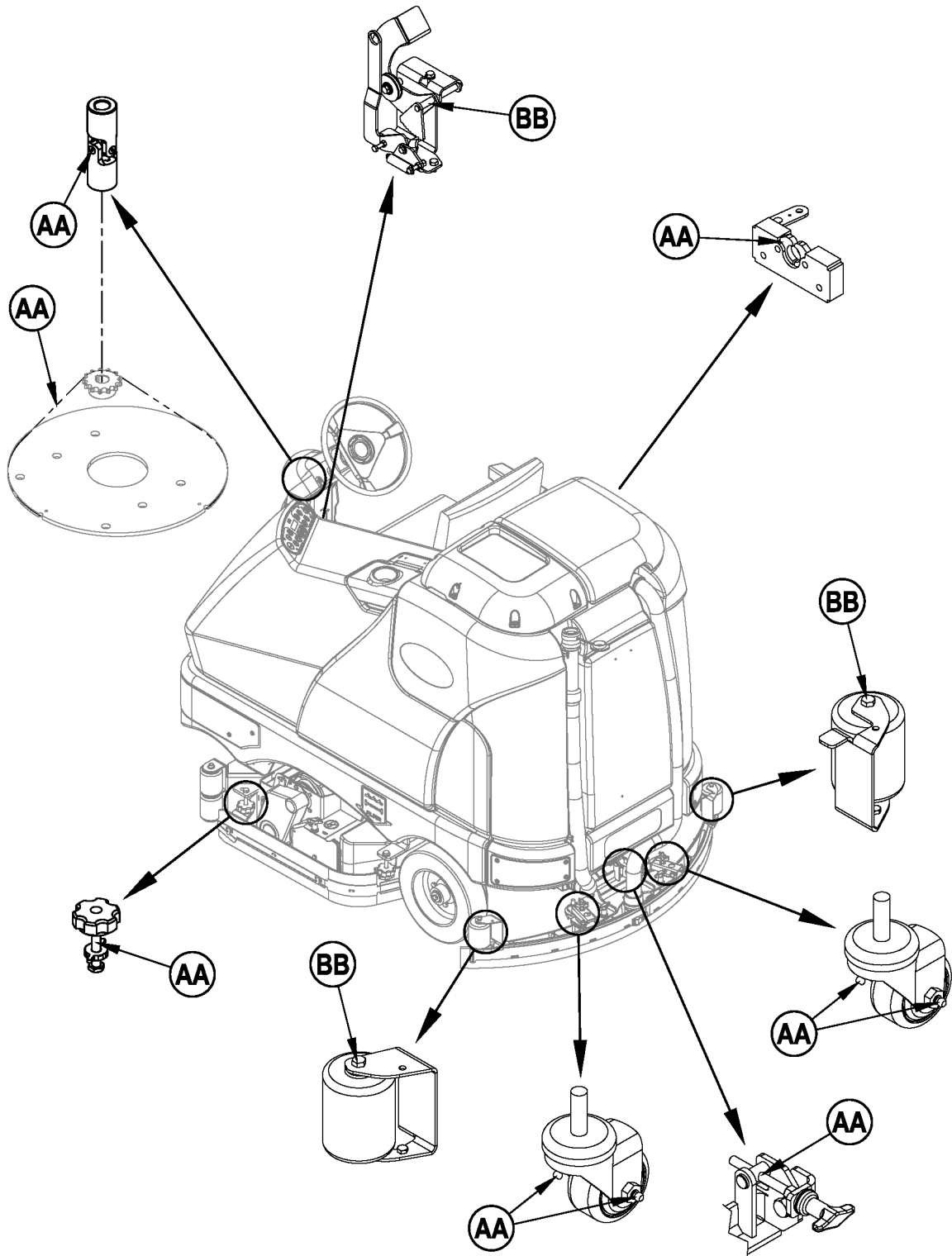
Grease fitting locations (or apply grease to) (AA):

- Squeegee Caster Wheel Axle and Pivot
- Steering Wheel Shaft Universal joint
- Steering Chain
- Squeegee mount angle adjustment knob threads

Once a month, apply light machine oil to lubricate the (BB):

- Squeegee tool end wheels
- Recovery Tank release latch
- Brake Pedal (parking brake) linkage

FIGURE 9



CHARGING THE BATTERIES

Charge the batteries each time the machine is used or when the Battery Indicator (**K5**) is reading less than full.

To Charge the Batteries...

- 1 See **Figure 10**. Depress the Battery Disconnect (**11**).
- 2 Open Side Access Panel (**27**) and push the connector from the charger into the Battery Connector (**20**).
- 3 Follow the instructions on the battery charger.
- 4 After charging the batteries check the fluid level in all battery cells. Add distilled water, if necessary, to bring the fluid level up to the bottom of the filler tubes.



WARNING!

Do not fill the batteries before charging.
Charge batteries in a well-ventilated area.
Do not smoke while servicing the batteries.

When Servicing Batteries...

- * Remove all jewelry
- * Do not smoke
- * Wear safety glasses, rubber gloves and a rubber apron
- * Work in a well-ventilated area
- * Do not allow tools to touch more than one battery terminal at a time
- * ALWAYS disconnect the negative (ground) cable first when replacing batteries to prevent sparks.
- * ALWAYS connect the negative cable last when installing batteries.



CAUTION!

To avoid damage to floor surfaces, wipe water and acid from the top of the batteries after charging.

CHECKING THE BATTERY WATER LEVEL

Check the water level of the batteries at least once a week.

After charging the batteries, remove the vent caps and check the water level in each battery cell. Use distilled or demineralized water in a battery filling dispenser (available at most auto parts stores) to fill each cell to the level indicator (or to 10 mm over the top of the separators). **DO NOT** over-fill the batteries!



CAUTION!

Acid can spill onto the floor if the batteries are overfilled.
Tighten the vent caps. Wash the tops of the batteries with a solution of baking soda and water (2 tablespoons of baking soda to 1 liter of water).

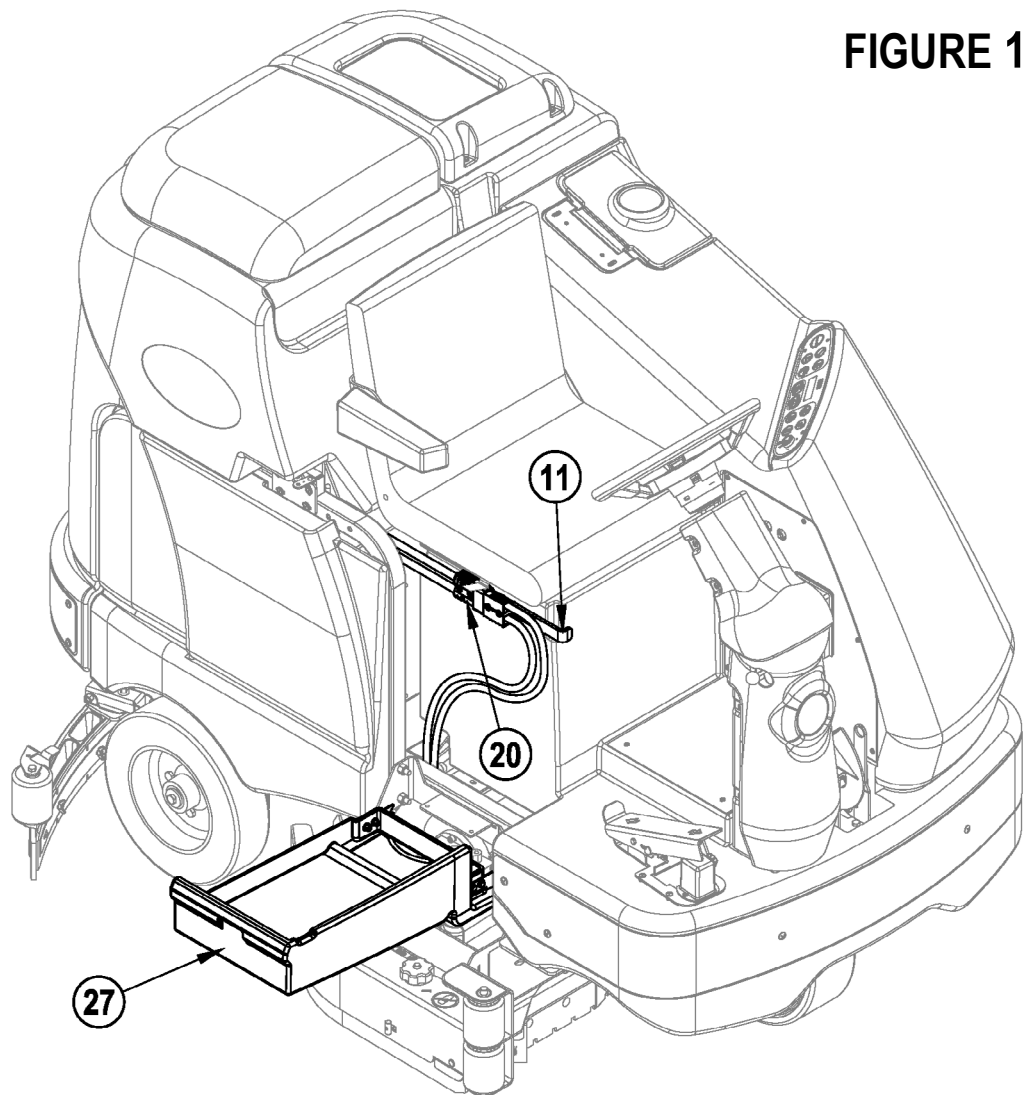


FIGURE 10

SQUEEGEE MAINTENANCE

If the squeegee leaves narrow streaks or water, the blades may be dirty or damaged. Remove the squeegee, rinse it under warm water and inspect the blades. Reverse or replace the blades if they are cut, torn, wavy or worn.

To Reverse or Replace the Rear Squeegee Wiping Blade...

- 1 See Figure 11. Raise the squeegee tool off the floor, then unsnap the Center Latch (AA) on the squeegee tool.
- 2 Remove the Tension Straps (BB).
- 3 Slip the rear blade off the alignment pins.
- 4 The squeegee blade has 4 working edges as shown below. Turn the blade so a clean, undamaged edge faces toward the front of the machine. Replace the blade if all 4 edges are nicked, torn or worn to a large radius.
- 5 Install the blade, following the steps in reverse order and adjust the squeegee tilt.

To Reverse or Replace the Front Squeegee Blade...

- 1 Raise the squeegee tool off the floor, then loosen the (2) Thumb Nuts (CC) on top of the squeegee and remove the squeegee tool from the mount.
- 2 Remove both rear Tension Straps first.
- 3 Remove all the wing nuts that hold the front blade in place, then remove tension strap and blade.
- 4 The squeegee blade has 4 working edges as shown below. Turn the blade so a clean, undamaged edge faces toward the front of the machine. Replace the blade if all 4 edges are nicked, torn or worn to a large radius.
- 5 Install the blade, following the steps in reverse order and adjust the squeegee tilt.

SQUEEGEE ADJUSTMENT

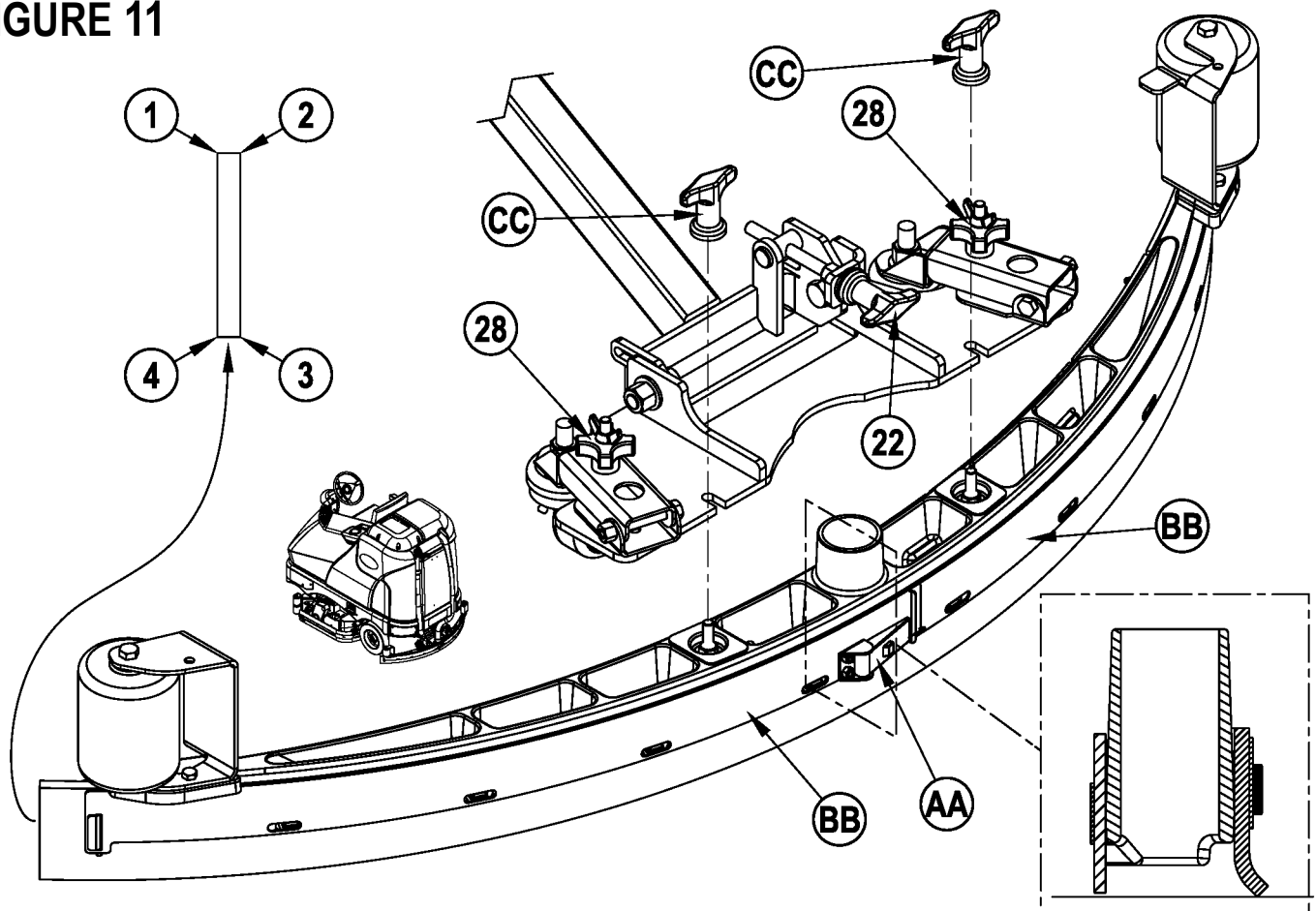
There are two squeegee tool adjustments possible, angle and height.

Adjusting the Squeegee Angle

Adjust the squeegee angle whenever a blade is reversed or replaced, or if the squeegee is not wiping the floor dry.

- 1 Park the machine on a flat, even surface.
- 2 Lower the squeegee, move the machine ahead slightly and adjust the squeegee tilt and height using the Squeegee Tilt Adjust Knob (22) and Squeegee Height Adjust Knobs (28) so that the rear squeegee blade touches the floor evenly across its entire width and is bent over slightly as shown in the squeegee cross section.

FIGURE 11



SIDE SKIRT MAINTENANCE

The side skirt's function is to channel the waste water to the squeegee, helping contain the water within the machines cleaning path. During normal use the blades will wear in time. The operator will notice a small amount of water leaking out underneath the side skirts. A height adjustment can easily be made to lower the blades so that all the water can be pick-up by the squeegee.

To reverse or replace the scrub system side skirt(s) ...

- 1 **See Figure 12.** Loosen the (2) side skirt Retainer Knobs **(AA)** (2 per side) and remove the Skirt Assemblies **(BB)** from the scrub deck. **NOTE:** Remove the skirts by first sliding them forward and then pulling them off.
- 2 Remove all the hardware that holds the blades to the skirt housings. **NOTE:** The main blade on each skirt housing is held on with Tool-less Retainers. Simply loosen the large Wing nuts **(CC)** and then turn the Knobs **(DD)** on the outside of the skirt housing until they are horizontal and push through the slots. The small inside Blade **(EE)** on disk models is held on by (2) screws and nuts and has 2 working edges.
- 3 The main skirt blade has 4 working edges as shown. Turn the blade so a clean, undamaged edge faces toward the center of the machine. Replace the blades as a set if all 4 edges are nicked, torn or worn beyond their ability to be adjusted.
- 4 Reinstall the skirt housing assemblies onto the machine and adjust the blade for proper contact to the floor when the brush deck is placed in the scrub position.

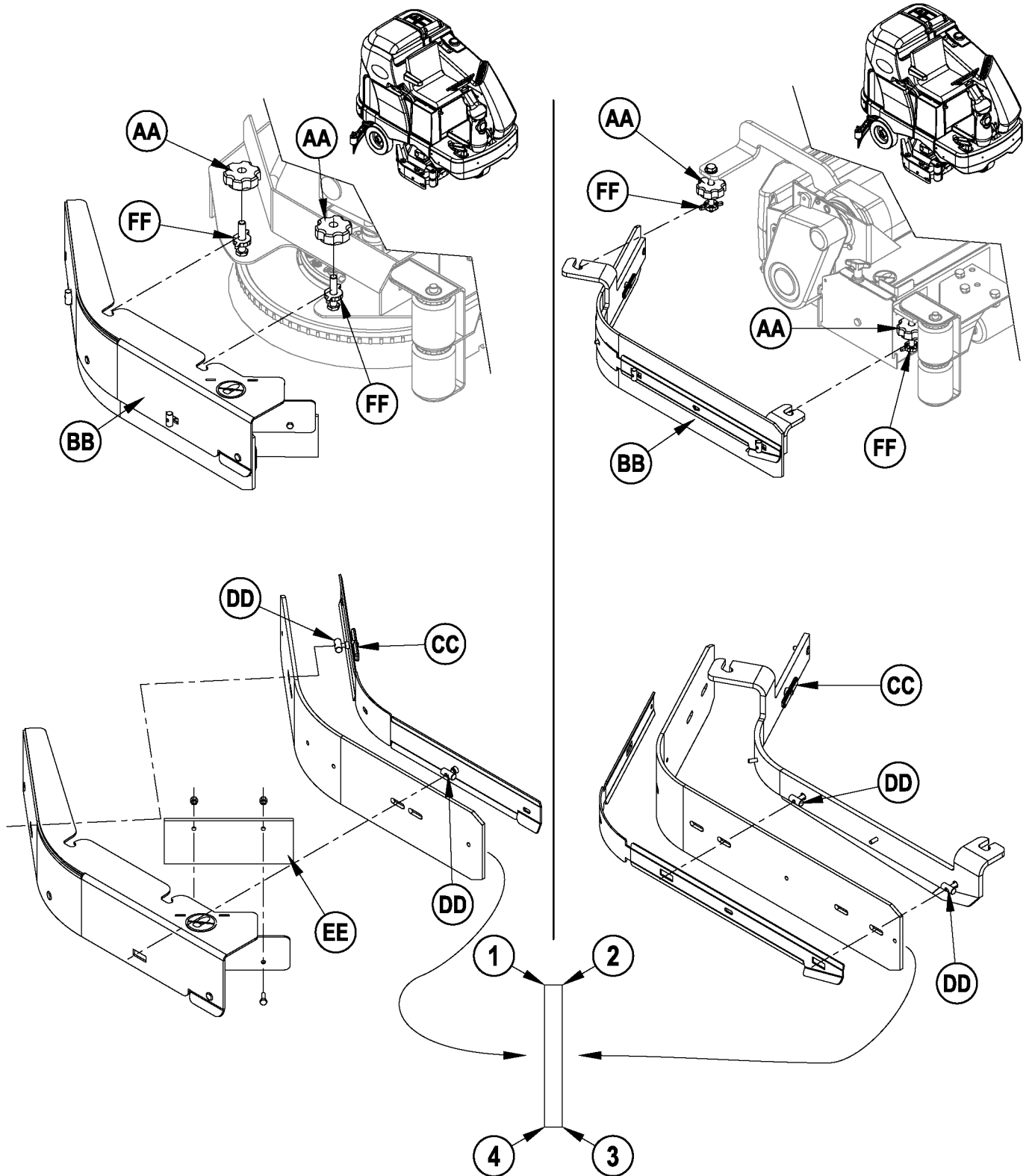
SIDE SKIRT HEIGHT ADJUSTMENT

- 1 The side skirt housing knob retainer screw studs have leveling Adjuster Collars **(FF)** that can be raised or lowered to compensate for blade wear.
- 2 To adjust, remove the Skirt Assemblies **(BB)** from the scrub deck to access the Adjuster Collars **(FF)**. Adjustment Tip: The skirts Retainer Knobs **(AA)** can be loosened with skirts left on and the Adjuster Collars **(FF)** rotated by reaching under the skirt housing.
- 3 Turn the Adjuster Collars **(FF)** (Up or Down) to where the blades just fold over enough when scrubbing that all the waste water is contained inside the skirting. **NOTE:** Make small adjustments to obtain good blade wiping. Do not lower the blades too much to where they fold over excessively and cause unneeded blade wear.

SIDE SKIRT MAINTENANCE
DISK

CYLINDRICAL

FIGURE 12



SIDE BROOM MAINTENANCE

The side broom(s) move dirt and debris away from walls or curbs and into the path of the main broom. Adjust the side broom so that the bristles are contacting the floor from the 10 O'clock (AA) to the 3 O'clock (BB) area shown in **Figure 13** when the broom is down and running.

The side brooms are adjusted through the adjust mode. To enter the "Adjust Mode" perform the following steps...

- 1 Turn the Key Switch (A) to the OFF position (O).
- 2 Press and hold the Side Broom Switch (C) and the Scrub Off Switch (E).
- 3 While holding the switches (C & E), turn the key switch to the ON position (I).
- 4 Continue to hold the switches for 2 seconds until side broom, scrub off and scrub on LED's turn on.
- 5 Release the switches. The Display (K) will now show "SIDE BROOM ADJUSTMENT".

Once inside of the "Adjust Mode" perform the following steps to adjust the side broom...

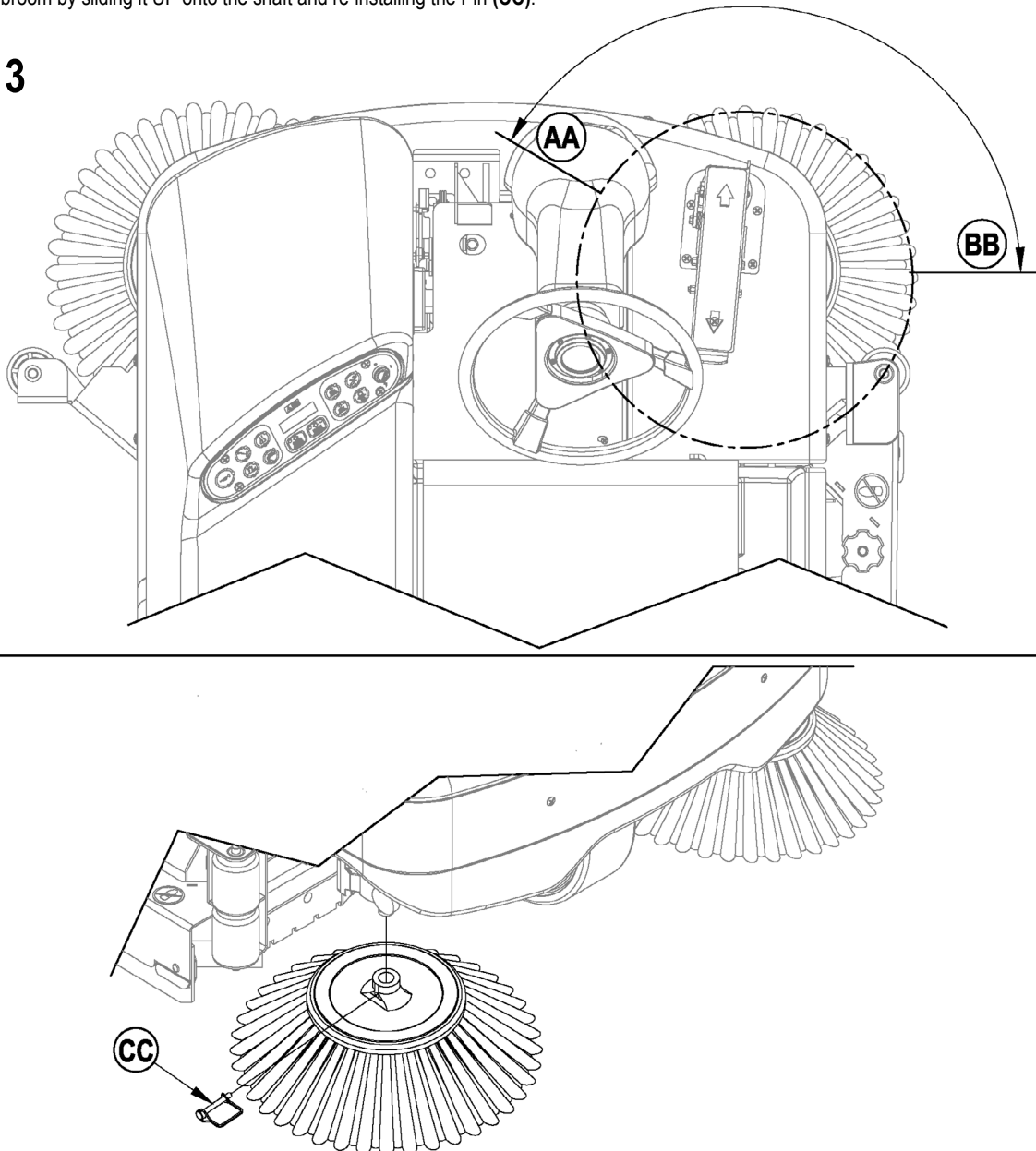
- 1 Press Scrub On Switch (D) to lower the side brooms and press the Side Broom Switch (C) to raise the side brooms until the desired height is reached.
- 2 To save the side broom height position, press the Scrub Off Switch (E). The side brooms will raise to the up position and the display will show a key icon (indicating that the key switch should be cycled off and on).
- 3 The machine has now been reprogrammed to use the new side broom height position.

NOTE: The machine should be stored with the Side Brooms in the raised position. The Side Brooms should be replaced when the bristles are worn to a length of 3 inches (7.62 cm) or they become ineffective.

To replace the Side Broom...

- 1 Raise the Side Broom(s).
- 2 Remove the large Pin (CC) holding the side broom on and remove the broom.
- 3 Install the new broom by sliding it UP onto the shaft and re-installing the Pin (CC).

FIGURE 13



GENERAL MACHINE TROUBLESHOOTING

Problem	Possible Cause	Remedy
Poor water pick-up	Worn or torn squeegee blades	Reverse or replace
	Squeegee out of adjustment	Adjust so blades touch floor evenly across entire width
	Recovery tank full	Empty recovery tank
	Recovery tank drain hose leak	Secure drain hose cap or replace
	Recovery tank cover gasket leak	Replace gasket / Seat cover properly
	Debris caught in squeegee	Clean squeegee tool
	Vacuum hose clogged	Remove debris
	Using too much solution	Reduce flow via control panel solution button
	Foam filter cover not seated	Seat cover properly
Poor scrubbing performance	Worn brush or pad	Rotate or replace brushes
	Wrong brush or pad type	Consult Nilfisk
	Wrong cleaning chemical	Consult Nilfisk
	Moving machine too fast	Slow down
	Not using enough solution	Increase flow via control panel solution button
Scrub Motors Do Not Run	Tripped 20 Amp (F3) circuit breaker	Check for electrical short circuit & reset
Inadequate solution flow or no solution	Solution tank empty	Fill solution tank
	Solution lines, valves, filter or trough clogged	Flush lines, trough and clean solution filter
	Solution turned OFF	Activate flow via control panel solution button
	Solution solenoid valve plugged or defective	Clean or replace valve (see service manual)
Machine does not run	Emergency stop switch tripped	Reconnect battery connectors
	Operator seat safety switch	Check for open circuit and replace
	Main system controller	Check error fault codes (see service manual)
	Tripped 3 Amp (F1) circuit breaker	Check for electrical short circuit & reset
No FWD/REV wheel drive	Drive system speed controller	Check error fault codes (see service manual)
	Emergency stop switch tripped	Reconnect battery connectors
Vacuum shuts off and display shows "FULL" when recovery tank is not full	Plugged squeegee hose	Clear debris
	Vacuuming large amounts of water at a high travel speed	Slow down or disable auto shut-off feature (see service manual)
Poor Sweeping Performance (Cylindrical System)	Hopper Full	Empty and clean hopper
	Brushes worn	Replace brushes
	Bristles have taken a set	Rotate brushes
No Detergent Flow (EcoFlex models only)	Empty detergent cartridge	Fill detergent cartridge
	Plugged or kinked detergent flow line	Purge system, straighten lines to remove any kinks
	Dry seal cap on detergent cartridge not sealed	Reseat dry seal cap
	Detergent pump wiring disconnected or backwards	Connect or reconnect wiring

TECHNICAL SPECIFICATIONS (as installed and tested on the unit)

Model		BR1100S C	BR1300S C
		BR1100S	BR1300S
Model No.		56413007	56413011
		56413006	56413010
Voltage, Batteries	V	36V	36V
Battery Capacity	Ah	480	480
Protection Grade		IPX3	IPX3
Sound Pressure Level (ISO 11201)		76dB LpA, 3dB KpA	76dB LpA, 3dB KpA
Sound Pressure Level (ISO 11201)		72dB LpA, 3dB KpA	72dB LpA, 3dB KpA
Gross Weight	lbs / kg	3325 / 1508	3410 / 1547
Transportation Weight	lbs / kg	2897 / 1314	2982 / 1353
Gross Weight	lbs / kg	3220 / 1460	3320 / 1506
Transportation Weight	lbs / kg	2792 / 1266	2892 / 1312
Maximum Wheel Floor Loading (center front)	psi / kg/cm ²	116/ 119.9	116/ 119.9
Maximum Wheel Floor Loading (right rear)	psi / kg/cm ²	81 / 83.7	81 / 83.7
Maximum Wheel Floor Loading (left rear)	psi / kg/cm ²	86 / 88.9	86 / 88.9
Vibrations at the Hand Controls (ISO 5349-1)	m/s ²	<1.12m/s ²	<1.12m/s ²
Vibrations at the Hand Controls (ISO 5349-1) Uncertainty	m/s ²	.11 m/s ²	.11 m/s ²
Vibrations at the Seat (EN 1032)	m/s ²	<0.35m/s ²	<0.35m/s ²
Vibrations at the Seat (EN 1032) Uncertainty	m/s ²	0.035m/s ²	0.035m/s ²
Gradeability			
Transport		16% (9°)	16% (9°)
Cleaning		10.5% (6°)	10.5% (6°)

İÇİNDEKİLER

	sayfa
Giriş	B-2
Önlemler ve Uyarılar.....	B-3
Makinenizi Tanıyın	B-4 – B-5
Kontrol Paneli	B-6
Makinenin Kullanıma Hazırlanması	
Bataryaların Takılması	B-7
Fırçaların Takılması	B-8 – B-9
Çözelti Deposunun Doldurulması	B-10
Lastik Sileceğin Takılması	B-11
Deterjan Sistemi	B-12 – B-13
Makinenin Çalıştırılması	B-14 – B-15
Fırçalama.....	B-14 – B-15
Islak Vakumlama	B-15
Kullanım Sonrası	B-16
Bakım Çizelgesi.....	B-16
Makinenin Yağlanması	B-16 – B-17
Bataryaların Şarj Edilmesi	B-18
Batarya Su Seviyesinin Kontrol Edilmesi.....	B-18
Lastik Silecek Bakımı	B-19
Lastik Silecek Ayarı	B-19
Yan Etekliğin Bakımı.....	B-20 – B-21
Yan Süpürgenin Bakımı.....	B-22
Sorun Giderme	B-23
Teknik Özellikler.....	B-24

GİRİŞ

Bu kılavuz, Nilfisk Temizlik Arabasından en iyi verimi almanızda size yardımcı olacaktır. Makineyi çalıştırmadan önce kılavuzu baştan sona okuyunuz.

Not: Parantez içinde verilen koyu numaralar, B-4- B-6 arası sayfalarda gösterilen bir bileşeni belirtmektedir.

Bu ürün sadece ticari amaçlı kullanıma yöneliktir.

YEDEK PARÇA VE SERVİS

Gerekli hallerde onarım işlemleri, fabrikada eğitilmiş servis personeli istihdam eden ve Nilfisk orijinal yedek parçaları ve aksesuarlarını kullanan Yetkili Nilfisk Servis Merkeziniz tarafından gerçekleştirilmelidir.

Yedek parça veya servis ihtiyaçlarınız için aşağıda adı verilen NILFISK YETKİLİ SATICISINI arayınız. Makinenizle ilgili işlem yaptırmak için Modelini ve Seri Numarasını belirtiniz.

DEĞİŞİKLİKLER

Temizlik makinesinde, kapasiteyi ve güvenli çalıştırmayı etkileyen değişiklikler ve eklemeler, Nilfisk-Advance Inc. şirketinden önceden yazılı onay almadan müşteri veya kullanıcı tarafından gerçekleştirilemez. İzinsiz değişiklikler makine garantisini geçersiz kılar ve ortaya çıkan kazalardan müşteri sorumlu olur.

TANITMA LEVHASI

Makinenizin Model Numarası ve Seri Numarası, makine üzerinde bulunan Tanıtma Levhasında gösterilir. Bu bilgiler, makinenin onarım parçalarını sipariş ederken gereklidir. Gelecekte gerektiğinde kullanmak üzere makinenizin Model Numarası ve Seri Numarasını yazmak için aşağıdaki boş alanları kullanınız.

MODEL NUMARASI _____

SERİ NUMARASI _____

MAKİNEİNİN PAKETTEN ÇIKARILMASI

Makineyi teslim aldığınızda, hasar olup olmadığını kontrol etmek için nakliye kartonunu ve makineyi dikkatlice inceleyiniz. Hasar belirgin ise, denetlenmesi için nakliye kartonunu saklayınız. Tespit edilen navlun hasarını bildirmek üzere derhal Nilfisk Müşteri Hizmetleri Departmanı ile irtibata geçiniz.

Kartonu çıkardıktan sonra, plastik şeritleri kesin ve tekerleklerin yanındaki tahta blokları çıkarınız. Makineyi paletten zemine indirmek için bir rampa kullanınız.

ÖNLEMLER VE UYARILAR

SİMGELELER

Nilfisk, potansiyel olarak tehlikeli koşulları işaret etmek üzere aşağıdaki simgeleri kullanmaktadır. Her zaman bu bilgileri dikkatlice okuyunuz ve can ve mal güvenliğini korumak için gerekli önlemleri alınız.

TEHLİKE!

Bu simge, ağır kişisel yaralanma veya ölüme sebep olacak ani tehlikelere karşı uyarı amacıyla kullanılır.

UYARI!

Bu simge, ağır kişisel yaralanmaya sebep olabilecek bir duruma dikkat çekmek üzere kullanılır.

DİKKAT!

Bu simge, hafif kişisel yaralanma veya makine ya da başka mülkte zarara sebep olabilecek bir duruma dikkat çekmek üzere kullanılır.



Kullanmadan önce bütün talimatları dikkatlice okuyunuz.

GENEL GÜVENLİK TALİMATLARI

Özel Önlemler ve Uyarılar, makine hasarı veya fiziksel yaralanmadan kaynaklanan potansiyel tehlikelere karşı uyarı amacıyla verilmektedir.

UYARI!

- Bu makine sadece uygun eğitim almış ve yetkili kişilerce kullanılır.
- Rampa üzerinde ve eğimli yerlerde, yüklü olduğunda ani durma hareketinden kaçınınız. Ani ve keskin dönüşlerden kaçınınız. Düşük hızda gidilebilecek yokuş aşağı yerleri kullanınız. Sadece rampadan tırmanırken (yukarıya doğru giderken) temizleyiniz.
- Kıvılcım, alev ve sigara gibi maddeleri bataryalardan uzak tutunuz. Patlayıcı gazlar normal kullanım sırasında boşaltılmaktadır.
- Bataryaların şarj edilmesi son derece patlayıcı hidrojen gazı üretmektedir. Bataryaları sadece açık alevlerden uzak iyi havalandırılmış yerlerde şarj ediniz. Bataryaları şarj ederken sigara içmeyiniz.
- Elektrikli parçaların yakınında çalışırken üzerinizdeki her türlü takıları çıkarınız.
- Elektrikli parçaları çıkarmadan önce kontak anahtarını kapatınız (O) ve bataryaların bağlantısını kesin.
- Makineyi destekleyen emniyet blokları veya sehpaları olmadan makine altında asla çalışmayınız.
- Yanıcı temizlik maddelerini etrafa yaymayınız, makineyi bu maddeler üzerinde veya yakınında ya da yanıcı sıvıların bulunduğu alanlarda çalıştırmayınız.
- Bu makineyi basınçlı yıkayıcı ile temizlemeyiniz.
- Sadece aygıtla birlikte verilen ya da kullanma kılavuzunda belirtilen fırçaları kullanınız. Başka fırçaların kullanılması emniyet tehlikesi yaratabilir.

DİKKAT!

- Bu makine kamu yolları veya caddelerinde kullanım için onaylı değildir.
- Bu makine zararlı tozları toplamak için uygun değildir.
- Kazıyıcı diskler ve bileği taşları kullanmayınız. Nilfisk, kazıyıcılar veya bileği taşları (fırça tahrik sistemine de hasar verebilir) nedeniyle zemin yüzeylerine gelen zarardan sorumlu tutulamaz.
- Bu makineyi kullanırken, özellikle çocuklar olmak üzere üçüncü tarafların tehlikeye girmemesine dikkat ediniz.
- Herhangi bir servis işlevini yerine getirmeden önce, söz konusu işleve ait tüm talimatları dikkatlice okuyunuz.
- İlk önce kontak anahtarını kapatmadan (O), anahtarı çıkarmadan ve el frenini çekmeden makinenin yanından ayrılmayınız.
- Fırçaları değiştirmeden ve herhangi bir erişim panelini açmadan önce kontak anahtarını kapatınız (O) ve anahtarı çıkarınız.
- Saç, takı veya bol giysilerin hareketleri parçalara takılmasını engellemek için önlem alın.
- Bu makineyi donma sıcaklığının altındaki koşullarda çalıştırırken dikkatli olun. Çözelti, geri alma veya deterjan depolarında ya da tevzi hortumlarında bulunan su donarak valflara ve bağlantı parçalarına zarar verebilir. Otomobil cam yıkama sıvısı ile yıkayınız.
- Makine hurdaya çıkarılmadan önce makineden bataryalar çıkarılmalıdır. Bataryaların imha işlemi, yerel çevre düzenlemelerine uygun olarak güvenli bir şekilde yapılmalıdır.
- Eğim oranı makine üzerinde belirtilenden yüksek olan yüzeylerde kullanmayınız.
- Bütün kapılar ve kapaklar makinenin kullanımından önce kılavuzda belirtilen şekilde yerleştirilmelidir.

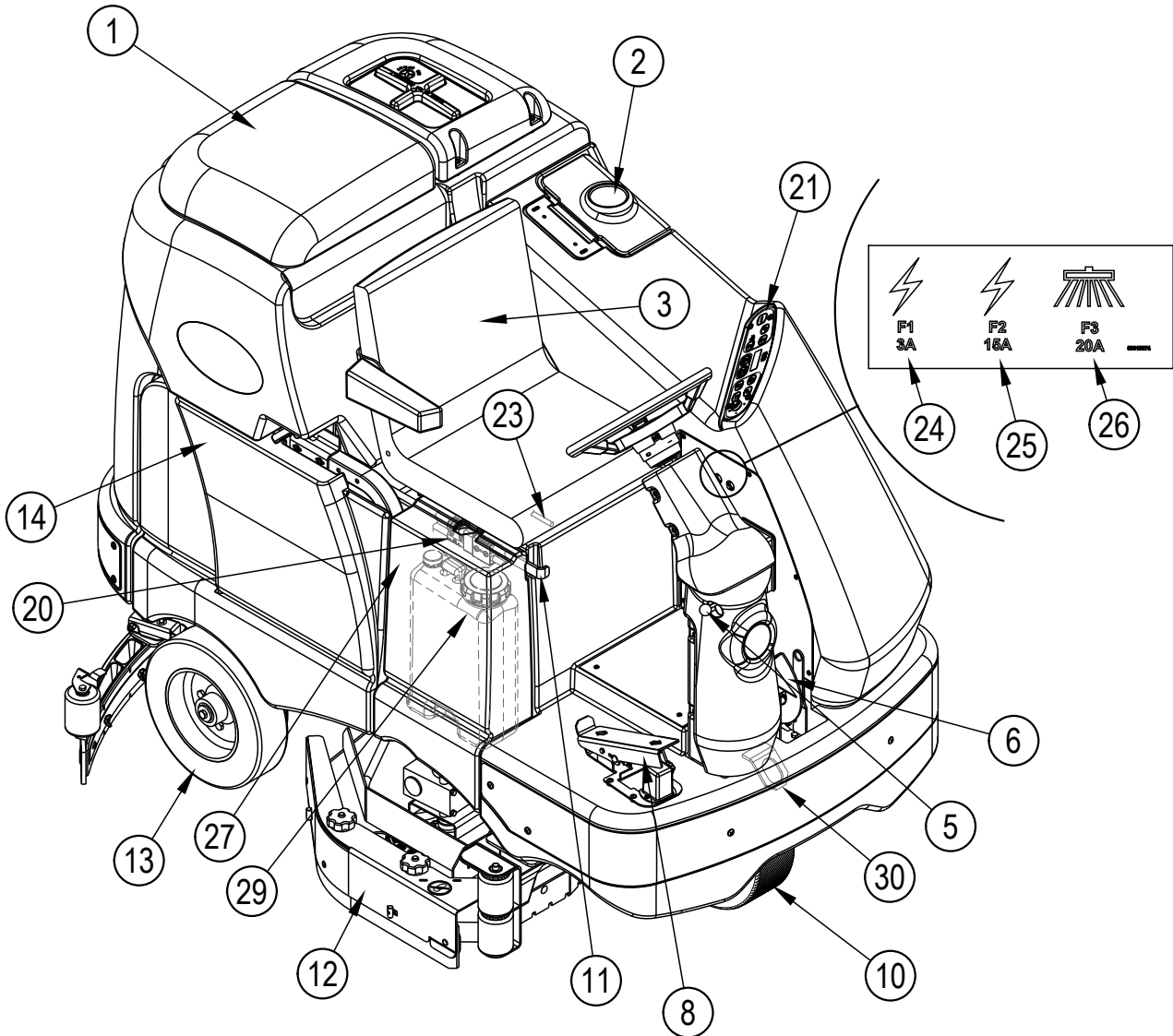
BU TALİMATLARI SAKLAYIN

B-4 / TÜRKÇE

MAKINENIZI TANIYIN

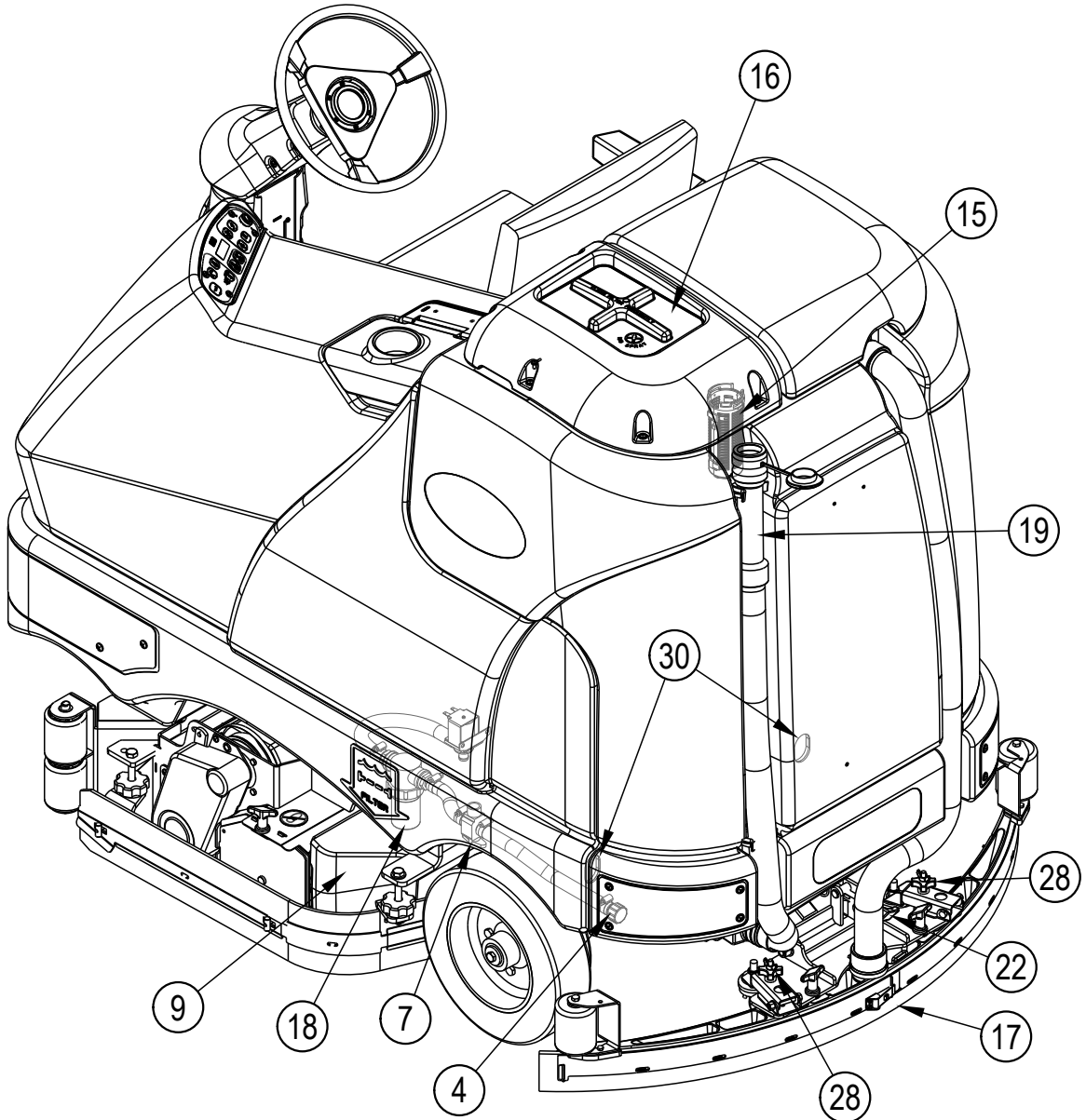
Bu kılavuzu okurken, parantez içinde koyu harfle yazılmış bir numara veya harf göreceksiniz- örnek: **(2)**. Bu numaralar, aksi belirtilmedikçe, bu sayfalarda gösterilen bir bileşene atıf yapmaktadır. Metinde bahsedilen bir bileşenin yerini tam olarak belirlemek için gerekli olduğunda bu sayfalara bakınız. **NOT:** Takip eden 4 sayfada gösterilen her bir bileşene ait ayrıntılı açıklamalar için servis el kitabına bakınız.

- 1 Geri Alma Deposu Kapağı
- 2 Çözelti Deposu Doldurma Kapağı
- 3 Sürücü Koltuğu
- 4 Çözelti Deposu Akıtma Hortumu
- 5 Direksiyon Eğimi Ayar Düğmesi
- 6 Fren Pedalı / El Freni
- 7 Çözelti Kapama Valfi
- 8 Sürme Pedalı, Yönel/Hız
- 9 Huni (sadece silindir modellerde)
- 10 Sürme ve Yönlendirme Tekerleği
- 11 Acil Durdurma Anahtarı / Batarya Bağlantısı Kesme
- 12 Fırçalama Güvertesi
- 13 Arka Tekerlek
- 14 Batarya Bölmesi (geri alma deposu altında)



MAKİNENİZİ TANIYIN

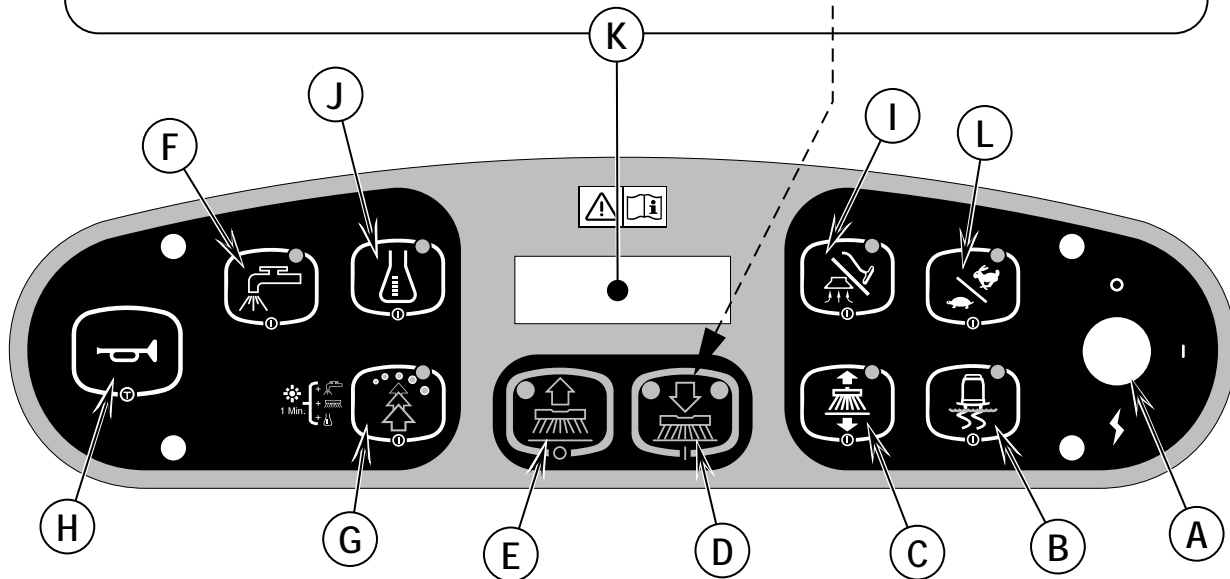
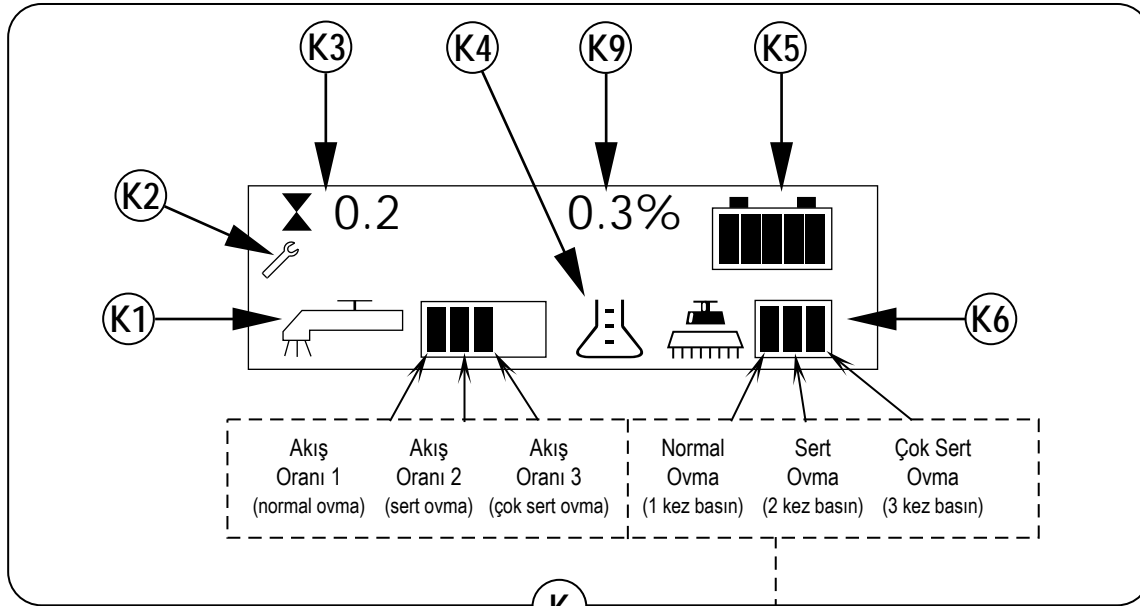
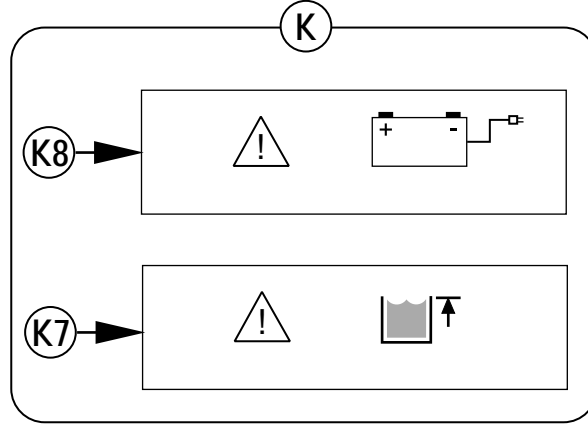
- 15 Geri Alma Deposu Kesme Şamandırası
- 16 Vakum Motoru Filtre Karteri
- 17 Lastik Silecek Tertibatı
- 18 Çözelti Filtresi
- 19 Geri Alma Deposu Akıtma Hortumu
- 20 Makine Batarya Konektörü
- 21 Kontrol Paneli
- 22 Lastik Silecek Eğim Ayar Düğmesi
- 23 Operatör Koltuğu Ayarlama Kolu
- 24 Kontrol Devresi Kesicisi
- 25 Yardımcı Devre Kesicisi
- 26 Yan Süpürge Motoru Devre Kesicisi
- 27 Yan Erişim Paneli
- 28 Lastik Silecek Yükseklik Ayar Düğmesi
- 29 Deterjan Kartuşu (sadece EcoFlex modelleri)
- 30 Bağlama yerleri



B-6 / TÜRKÇE

KONTROL PANELİ

- A Kontak Anahtarı
- B Çekiş Kontrol Anahtarı
- C Yan Süpürge Anahtarı (sadece silindir modellerde)
- D Fırçalama AÇIK / Fırçalama Modu Seçimi
- E Fırçalama KAPALI
- F Çözelti Anahtarı
- G EcoFlex Anahtarı
- H Korna
- I Vakum/Çubuk Anahtarı
- J Deterjan Sistemi (sadece EcoFlex modellerinde)
- K Ekran
- K1 Çözelti Akım Göstergesi
- K2 Hata Göstergesi
- K3 Saat Ölçer
- K4 Deterjan Sistemi Göstergesi
- K5 Batarya Göstergesi
- K6 Ovma Basıncı Göstergesi
- K7 Geri Alma Deposu DOLU Göstergesi
- K8 Batarya Zayıf Göstergesi
- K9 Deterjan Yüzdesi Göstergesi
- L Ovma Hızı Anahtarı



BATARYALARIN TAKILMASI**UYARI!**

Bataryalarla ilgili işlem yaparken son derece dikkatli olunuz. Bataryalar içindeki sülfürik asit, deri veya gözlerle temas etmesi halinde ağır yaralanmaya yol açabilir. Patlayıcı hidrojen gazı, batarya kapsüllerinde bulunan açıklıklar yoluyla dışarıya boşaltılmaktadır. Bu gaz, herhangi bir elektrik arki, kıvılcım veya alev yoluyla tutuşabilir. Herhangi bir kurşun asitli bataryayı, mühürlü konteyner veya mahfaza içine takmayınız. Aşırı şarjdan kaynaklanan hidrojen gazının çıkışına izin verilmelidir.

Bataryaların Bakım İşlemleri...

- Bütün takılarınızı çıkarın
- Sigara içmeyin
- Emniyet gözlükleri, lastik eldivenler ve bir lastik önlük takın.
- İyi havalandırılmış alanda çalışın.
- Aletlerin aynı anda birden fazla batarya kutup başına temas etmesine izin vermeyin
- Bataryaları değiştirirken kıvılcım çıkmasını önlemek için HER ZAMAN negatif (toprak) kabloyu önce sökün.
- Bataryaları takarken HER ZAMAN negatif kabloyu en son bağlayın.

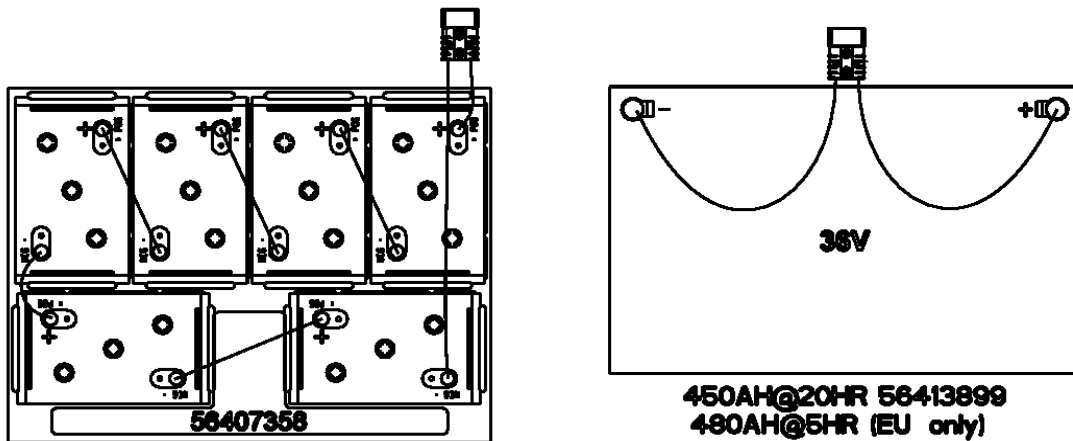
**DIKKAT!**

Bataryaların uygun şekilde takılmaması ve bağlanmaması halinde bu makinedeki elektrikli bileşenler ağır biçimde hasar görebilir. Bataryalar Nilfisk veya bir kalifiye elektrikçi tarafından takılmalıdır.

- 1 Bataryaları sevkiyat sandığından çıkarın ve herhangi bir çatlak veya başka hasar olup olmadığını dikkatlice kontrol edin. Belirgin bir hasar varsa, hasarı bildirmek için teslimatı yapan nakliye şirketi veya batarya imalatçısı ile irtibata geçin.
- 2 Ana Kontak Anahtarını (A) KAPALI konuma getirin ve anahtarı çıkarın.
- 3 Geri alma deposunu makineden ayırın. **NOT:** Bağlantı teli ve vakum motoru kablolarının bağlantısını kesin ve depoyu yukarıya kaldırarak makineden uzaklaştırın.
- 4 Makineniz fabrikadan altı adet 6 voltluk batarya monte edilecek şekilde yeterli batarya kablosu ile birlikte gelmektedir. En az (2) kişi ve uygun bir kaldırma bandı kullanarak, bataryaları dikkatlice batarya bölmesine doğru kaldırın ve **ŞEKİL 1**'de gösterildiği şekilde düzenleyin. Bataryaları mümkün olduğunca makinenin ön tarafına yakın olacak şekilde monte edin. Mono-blok batarya takacaksınız, bir üstten kaldırma aleti kullanın.
- 5 Batarya kablolarını gösterildiği şekilde takın. Kabloları batarya kapsüllerinin bakım için kolayca çıkarılabileceği şekilde yerleştirin.
- 6 Her bir batarya kutup başındaki somunu kutup başı dönmez duruma gelene kadar dikkatlice sıkın. Kutup başlarını aşırı sıkmayın, aksi halde gelecekte bakım amacıyla çıkarılması çok zor olacaktır.
- 7 Kutup başlarını, üzerine püskürtmeli batarya kutup başı kaplaması ile kaplayın (çoğu oto parça mağazasında mevcuttur).
- 8 Her bir kutup başının üzerine siyah kauçuk pabuçlardan koyun ve Batarya Takımı Konektörünü (20) bağlayın.

ŞEKİL 1

450AH @ 20HR RATE
(6) MAX 1300LB/590KG

**56015272**

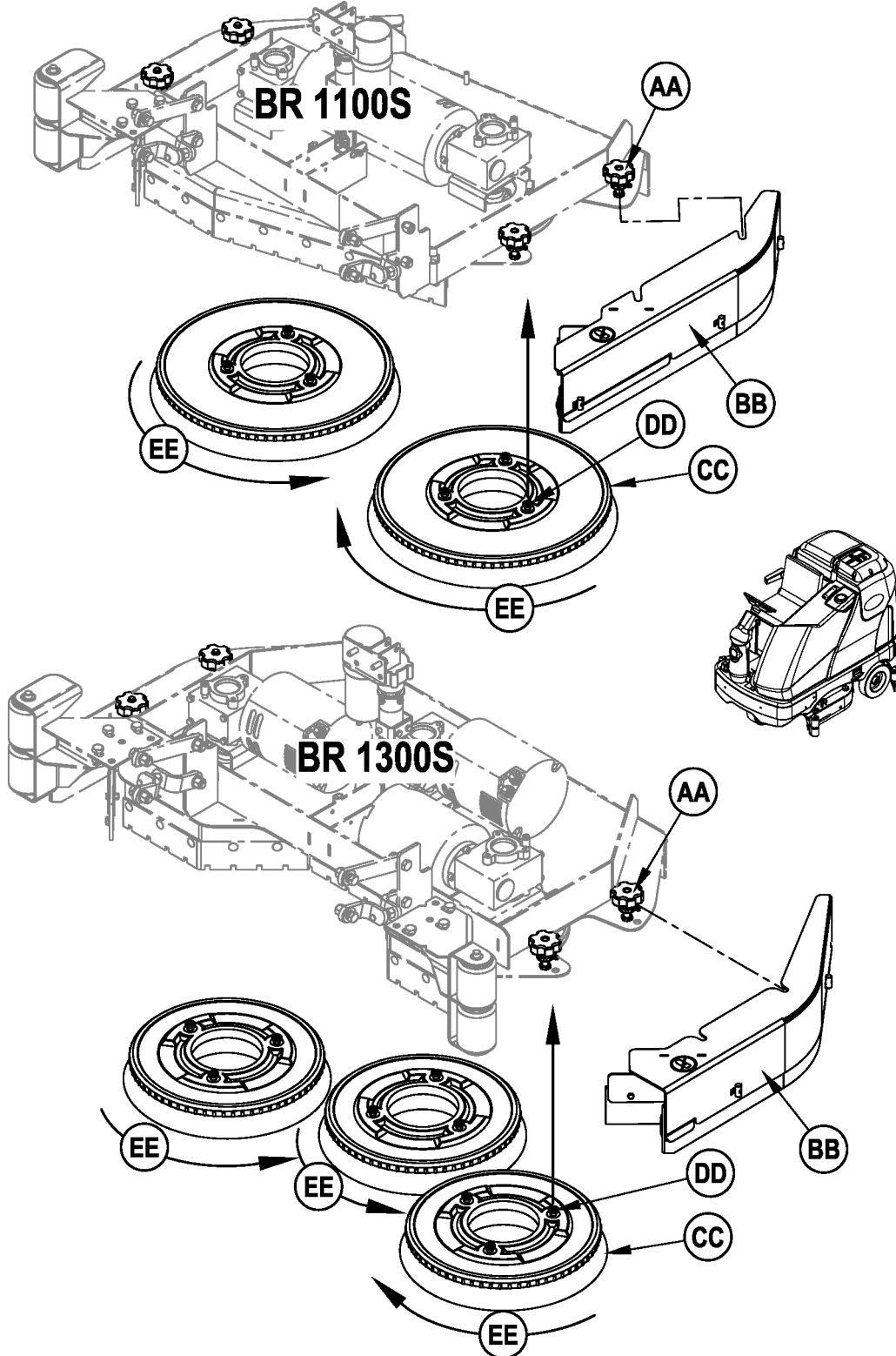
FIRÇALARIN TAKILMASI (DISK SİSTEMİ)

⚠ DİKKAT!

Fırçaları değiştirmeden ve herhangi bir erişim panelini açmadan önce kontak anahtarını kapatın (O) ve anahtarı çıkarın.

- 1 Fırçalama Güvertesinin KALKIK konumda olmasına dikkat edin. Kontak Anahtarının (A) kapalı (O) konumda olduğundan emin olun.
- 2 **Bkz. Şekil 2.** Her iki taraftaki eteklik tertibatını çıkarın. **NOT:** Eteklikleri yerinde tutan iki büyük Düğme (AA) vardır. Bu düğmeleri gevşetin ve Eteklik Tertibatlarını (BB) Fırçalama Güvertesinden ayırın.
- 3 Fırçaları (CC) takmak için (ya da koruyucu yastık tutucular), fırça üzerindeki Dişleri (DD) monte edileceği levha üzerindeki deliklere göre ayarlayın ve yerine oturtmak için döndürün (fırçanın dış kenarını şekilde gösterildiği gibi makinenin ön tarafına doğru çevirin (EE)).

ŞEKİL 2



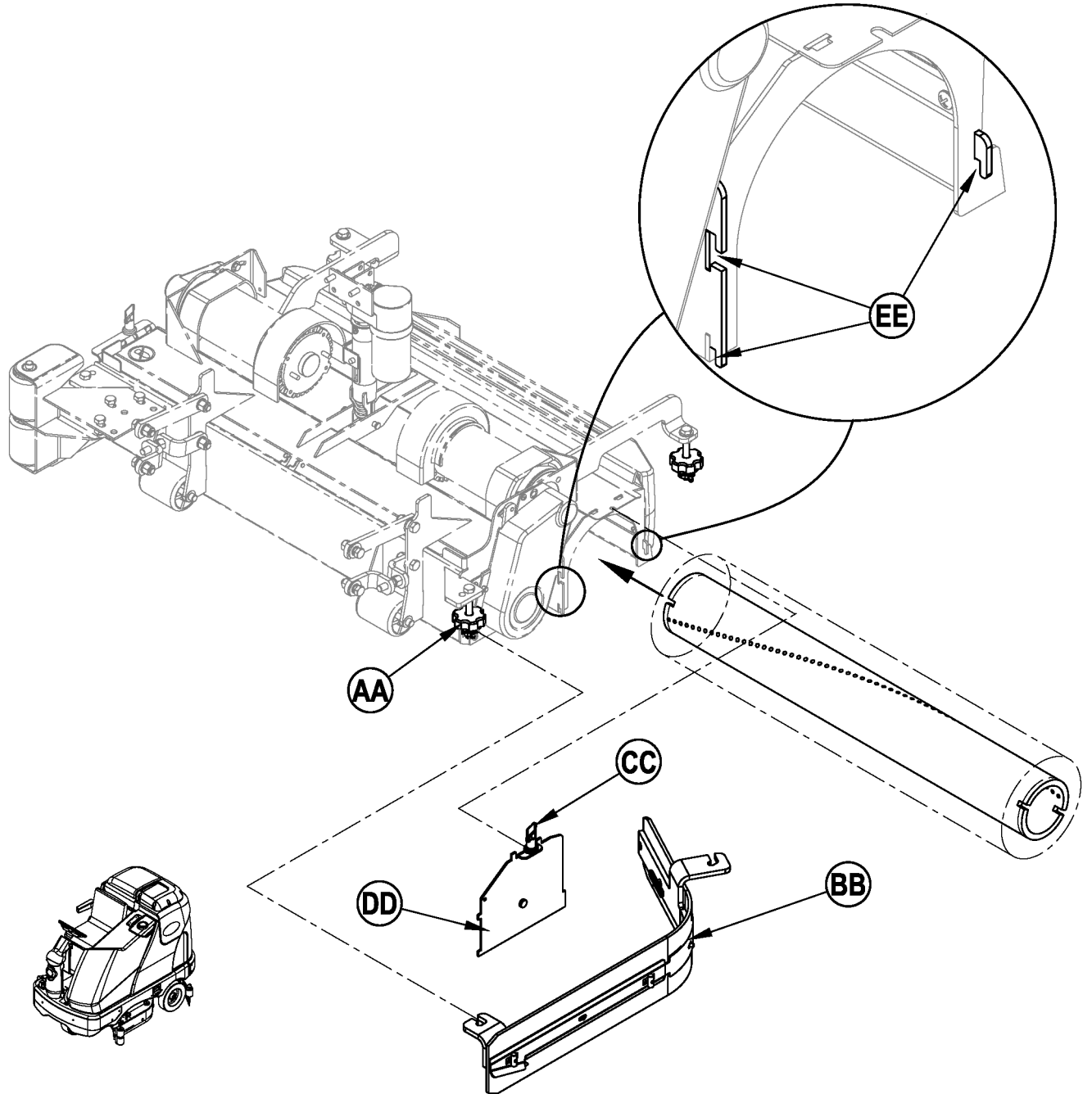
FIRÇALARIN TAKILMASI (SİLİNDİR SİSTEMİ)

⚠️ DİKKAT!

Fırçaları değiştirmeden ve herhangi bir erişim panelini açmadan önce kontak anahtarını kapatın (O) ve anahtarı çıkarın.

- 1 Fırçalama Güvertesinin KALKIK konumda olmasına dikkat edin. Kontak Anahtarının (A) kapalı (O) konumda olduğundan emin olun.
- 2 Bkz. Şekil 3. Her iki taraftaki eteklik tertibatını çıkarın. **NOT:** Eteklikleri yerinde tutan iki büyük Düğme (AA) vardır. Bu düğmeleri gevşetin, Eteklik Tertibatlarını (BB) yavaşça öne doğru kaydırın ve Fırçalama Güvertesinden ayırın.
- 3 Avara Dişlisi Tertibatlarının (DD) üzerinde bulunan Siyah Düğmeleri (CC) Çentiklerden (EE) kurtulacak kadar aşağıya düşecek şekilde gevşetin ve çıkarın.
- 4 Fırçayı kartere doğru kaydırın, hafifçe kaldırın, oturana kadar itin ve döndürün. Avara Dişlisi Tertibatlarını (DD) ve Eteklik Tertibatlarını (BB) tekrar takın.

ŞEKİL 3



ÇÖZELTİ DEPOSUNUN DOLDURULMASI

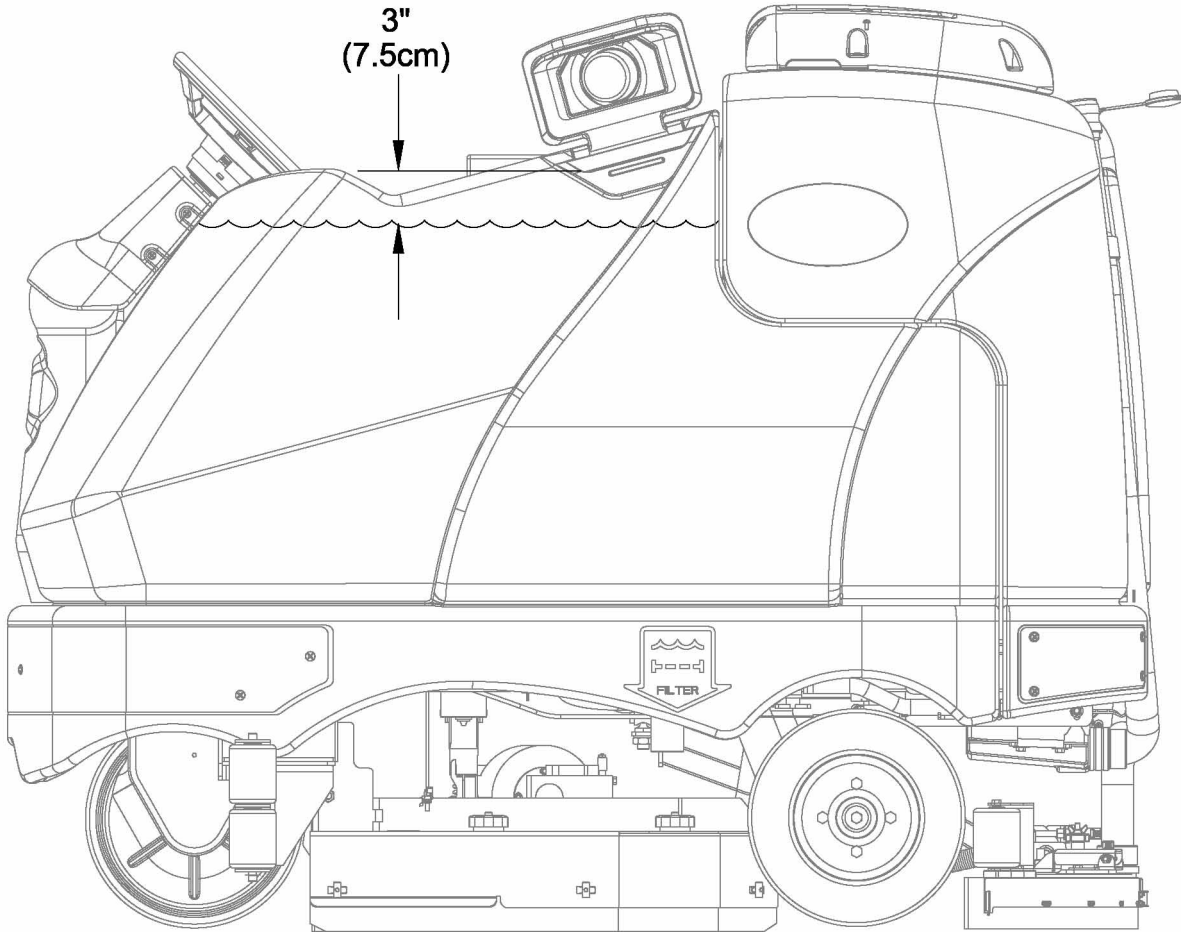
Bkz. Şekil 4. Çözelti deposunu maksimum 70 galon (264 litre) temizleme çözeltisi ile doldurun. Çözelti deposunu, Çözelti Doldurma (2) yerinin altından itibaren 7.5 cm (3 inç) üzerine çıkmayacak şekilde doldurun. Çözelti, su ve yapılacak iş için uygun bir temizlik maddesinin karışımından oluşmalıdır. Her zaman kimyasal konteyner etiketi üzerindeki seyreltme talimatlarına uyun. **NOT:** EcoFlex™ makineleri ya deterjanı depo içinde karıştırmak suretiyle geleneksel yollarla kullanılabilir ya da deterjan yayma sistemi kullanılabilir. Deterjan yayma sistemini kullanırken, depoya deterjan karıştırmayın; sadece su kullanılmalıdır.



DİKKAT!

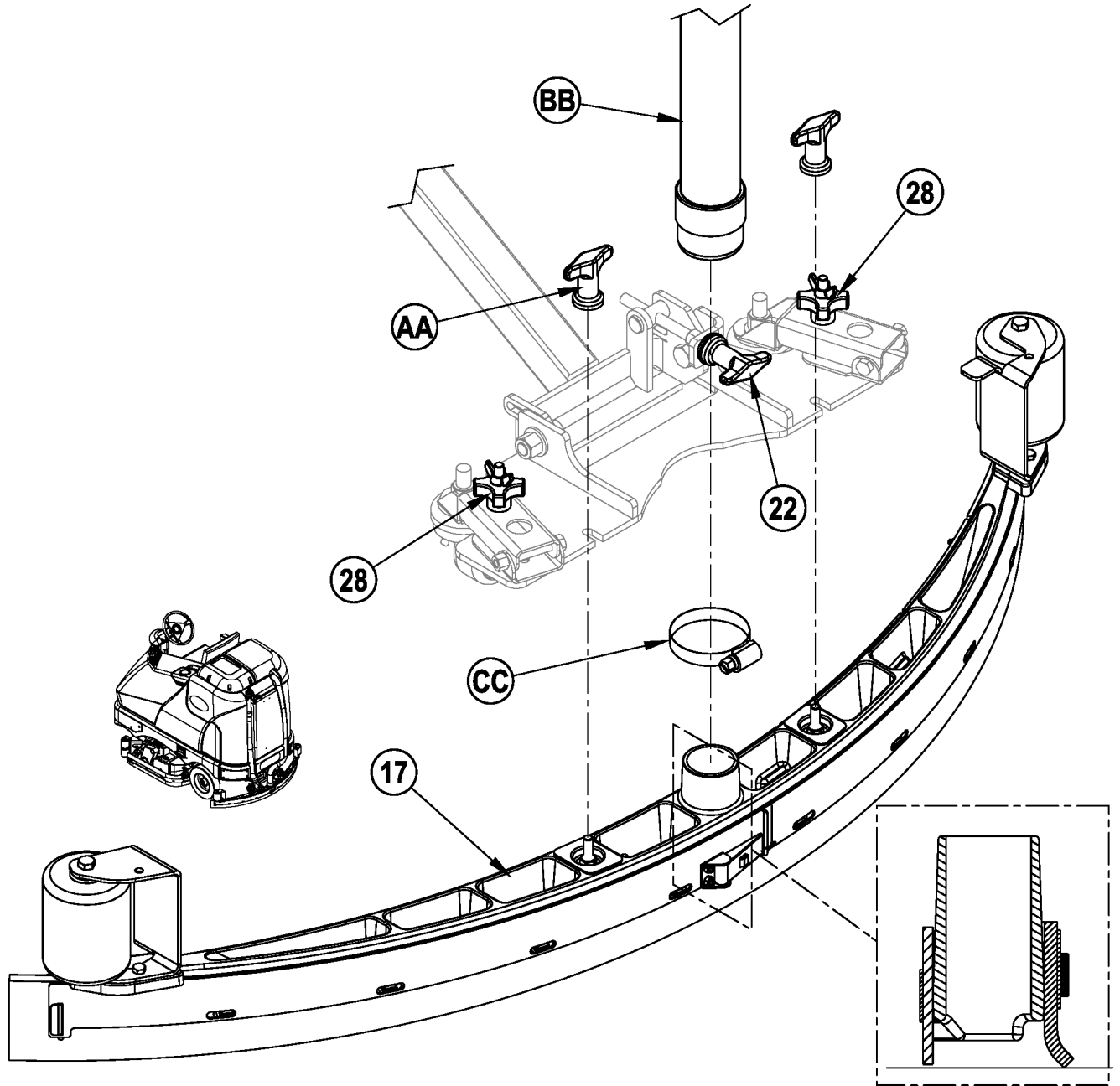
Sadece makinede kullanıma uygun az köpüren ve yanıcı olmayan sıvı deterjanları kullanınız. Su sıcaklığı, 130 Fahrenheit (54.4 °C) seviyesini aşmamalıdır.

ŞEKİL 4



LASTIK SILECEĞİN TAKILMASI

- 1 Bkz. Şekil 5. Lastik Silecek Tertibatını (17) lastik silecek montaj dirseğinin üzerine doğru kaydırın ve Lastik Silecek Montaj Kelebek Somunlarını sıkın (AA).
- 2 Hortum Keleçesini (CC) kullanarak Geri Alma Hortumunu (BB) lastik silecek girişine bağlayın.
- 3 Lastik sileceğin arka ağız bütün uzunluğu boyunca zemine aynı seviyede temas edecek ve lastik silecek kesitinde görüldüğü gibi hafifçe eğim alacak şekilde lastik sileceği aşağıya indirin, makineyi hafifçe öne doğru hareket ettirin ve Lastik Silecek Eğim Ayar Düğmesi (22) ve Lastik Silecek Yükseklik Ayar Düğmelerini (28) kullanarak lastik silecek eğim ve yükseklik ayarını yapın.

ŞEKİL 5

DETERJAN SİSTEMİNİN HAZIRLANMASI VE KULLANILMASI (SADECE ECOFLEX MODELLERİ)

ORTAK TALİMATLAR:

Çözelti sistemi aktifken Deterjan Anahtarına (J) basıp bırakıldığında, deterjan sistemi sırayla açılıp kapanır. Farklı bir deterjana geçerken, sistemin önceki deterjanı temizlemesi gerekir. **SERVİS NOTU:** Bu işlem sırasında az miktarda deterjan atılacağından tasfiye işleminden önce makineyi zemindeki su kanalı üzerine getirin.

Kimyasalların Değiştirilmesi Sırasında Tahliye için:

- 1 Deterjan kartuşunu sökün ve çıkartın.
- 2 Kontak Anahtarını (A) AÇIK konuma getirin. Çözelti Anahtarı (F) ve Deterjan Anahtarını (J) 3 saniye basılı tutun. **NOT:** Tahliye işlemi başlatıldıktan sonra 10 saniye sürer. Deterjan Sistemi göstergeleri için sonraki sayfadaki resme bakınız. Normal olarak sistemi tahliye etmek için bir tahliye işlemi yeterlidir.

Haftalık Tahliye için:

- 1 Deterjan kartuşunu sökün ve çıkartın. Temiz su ile doldurulmuş bir Kartuş takın ve bağlayın.
- 2 Kontak Anahtarını (A) AÇIK konuma getirin. Çözelti Anahtarı (F) ve Deterjan Anahtarını (J) 3 saniye basılı tutun. **NOT:** Tahliye işlemi başlatıldıktan sonra 10 saniye sürer. Deterjan Sistemi göstergeleri için sonraki sayfadaki resme bakınız. Normal olarak sistemi tahliye etmek için bir tahliye işlemi yeterlidir.

Deterjan Yüzdesi:

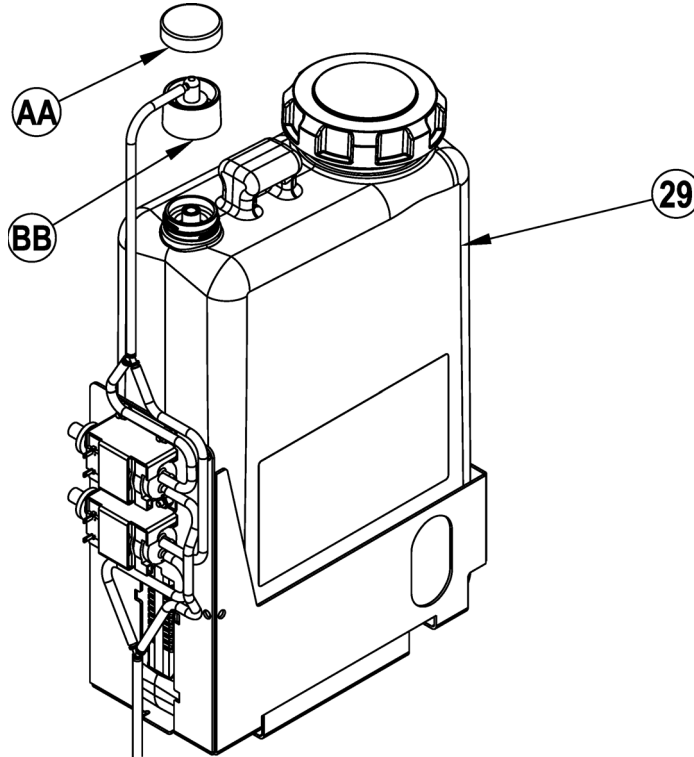
- 1 Deterjan yüzdesi fabrika ayarı %0,25'tir. Yüzdeyi değiştirmek için, deterjan sistemi KAPALI olmalı, ardından Deterjan Açma/Kapatma Anahtarı (J) 2 saniye basılı tutulmalıdır. Deterjan göstergesi yanıp sönecek ve anahtara her basıldığında mevcut yüzdelere (%3, %2, %1.5, %1, %0,8, %0,66, %0,5, %0,4, %0,3, %0,25) arasında geçiş yapılacaktır. İstenen yüzde ekranda (K9) görüntülediğinde durum, 5 saniye sonra kilitlenecektir.

KARTUŞ TALİMATLARI

Deterjan Kartuşu (29) operatör bölmesinde Yan Erişim Paneli (27) arkasında bulunmaktadır. Deterjan kartuşunu maksimum 2,2 galon (8,32 litre) deterjanla doldurun. **SERVİS NOTU:** Deterjanın makine üzerine dökülmesini önlemek için doldurmadan önce deterjan kartuşunu deterjan kutusundan çıkartın.

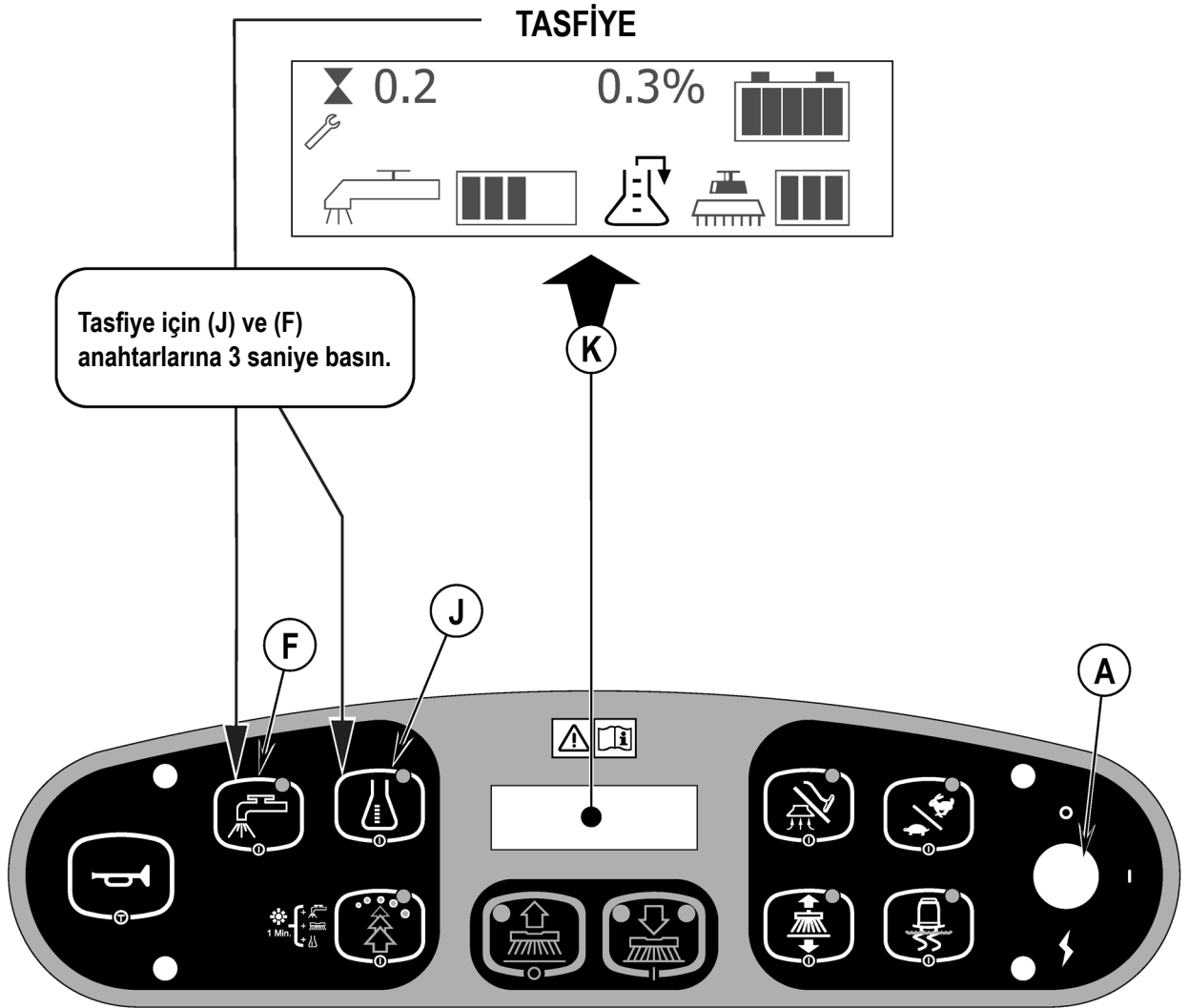
Kullanmayı planladığınız her deterjan için ayrı bir kartuş kullanılması tavsiye edilir. Deterjan kartuşları üzerinde beyaz bir çıkartma vardır; her bir kartuş üzerinde deterjanın adını yazarak karışmalarını engelleyebilirsiniz. Yeni bir kartuş takarken, Farklı bir deterjana geçerken, sistemin önceki deterjanı temizlemesi gerekir. Başlığı (AA) kaldırın ve kartuşu deterjan kutusu içine yerleştirin. Kuru Aralık Başlığını (BB) ve deterjan hortumunu görülen şekilde takın.

ŞEKİL 6



DETERJAN SİSTEMİNİN HAZIRLANMASI VE KULLANILMASI (SADECE ECOFLEX MODELLERİ)

ŞEKİL 7



MAKİNENİN ÇALIŞTIRILMASI

UYARI!

Operatör kumanda cihazları ve bunların işlevlerini tam olarak anladığınızdan emin olun.

Rampa üzerinde ve eğimli yerlerde, yüklü olduğunda ani durma hareketinden kaçının. Ani ve keskin dönüşlerden kaçının. Düşük hızda gidilebilecek yokuş aşağı yerleri kullanın. Sadece rampadan tırmanırken (yukarıya doğru giderken) temizleyin.

Ovma işlemi için:

Bu kılavuzun, makinenin kullanıma hazırlanması bölümünde yer alan talimatları uygulayın.

- 1 **Bkz. Şekil 8.** Makinenin üzerine çıkarak oturduğunuzda, (23) ve (5) nolu ayarlama mekanizmalarını kullanarak koltuğu ve direksiyonu rahat bir kullanım konumuna getirin.
- 2 Ana Kontak Anahtarını (A) AÇIK konuma getirin (İ). Bu işlemden sonra kontrol paneli göstergeler ışıkları yanacaktır. Devam etmeden önce Batarya Durum Göstergesi (K5) ve Saat Ölçeri (K3) kontrol edin.
- 3 El Frenini (6) salın. Makineyi çalışma yapılacak alana götürmek üzere, ileri hareket etmek için Sürme Pedalının (8) ön tarafına ve geriye gitmek için pedalın arka tarafına yatay basınç uygulayın. İstenilen hızda gitmek için ayak pedalına uygulanan basıncı değiştirin.
- 4 Zemine ön ıslatma uygulamak için Çözelti Anahtarına (F) basın ve 5 saniye tutun. **NOT:** Böylece kuru fırçalarla ovmaya başlandığında zemin yüzeyinde iz kalması önlenmiş olacaktır. Bu işlem Fırçalama AÇIK Anahtarına (D) basmadan önce yapılmalıdır.
- 5 Normal Ovma için Fırçalama AÇIK Anahtarına (D) bir kez, Sert Ovma için iki kez ve Çok Sert Ovma için ise üç kez basın. Hem çözelti akışı hem de deterjan (EcoFlex modellerinde) akışı için bu 3 ovma moduna uygun varsayılan 3 ayar mevcuttur (Kontrol Paneline bakınız).
NOT: Ovma basıncını artırmadan çözelti akışını artırmak istemeniz halinde, çözelti akış oranı geçersiz kılma işlevi mevcuttur. Çözelti Anahtarına (F) 3 saniye basılı tutun (çözelti göstergesi yanıp sönmeye başlayacaktır) ve bırakın. Bundan sonra Çözelti Akış Göstergesinde (K1) istediğiniz oran görünene kadar Çözelti Anahtarına (F) tekrar tekrar basarak farklı bir akış oranı belirlemek için 3 saniyeniz vardır (1-5 / Kontrol Paneline bakınız). Bundan sonraki bütün ovma basıncı ayarlamaları çözelti akış oranını varsayılan değere getirecektir.
NOT: Fırçalama AÇIK Anahtarına (D) basıldığında ovma, çözelti, vakum, deterjan (EcoFlex modellerinde) ve yan süpürge (silindir modellerinde) sistemleri otomatik olarak etkin hale gelir. Ovma işlemi sırasında herhangi bir zamanda ilgili anahtara basmak suretiyle herhangi bir sistem KAPALI veya tekrar AÇIK konuma getirilebilir.
- 6 Fırçalama AÇIK Anahtarı (D) seçildiğinde, fırçalar, lastik silecek ve yan süpürgeler (silindir modellerde) otomatik olarak zemine indirilir. Sürme Pedalı (8) harekete geçirildiğinde, ovma, çözelti, vakum, deterjan (EcoFlex modellerinde) ve yan süpürge (silindir modellerinde) sistemleri otomatik olarak çalışmaya başlar.
NOT: Makineyi geriye doğru sürerken, lastik silecek otomatik olarak kalkar.
- 7 Makineyi düz bir hat üzerinde normal yürüme hızıyla sürerek ovma işlemine başlayın ve dönüşte her yolu 2-3 inç (50-75 mm) kadar çakıştırarak sürün. Gerekli olduğunda zeminin durumuna göre makine hızını ve çözelti akışını ayarlayın.
NOT: Maksimum ovma hızı, Ovma Hızı Anahtarına (L) basılarak artırılabilir. Normal maksimum ovma hızı, taşıma hızının % 80'i kadardır. Bu anahtara basınca bu hız taşıma hızının % 100'üne çıkar.
Düz bir zeminde ya da çift ovma işlemi yapıyorsanız, Çekiş Kontrolü (Traction Control™) düşmesine (B) basarak tahrik tekerleğinin torku ayarlanabilir ve daha iyi kontrol ve zemin çekme gücü sağlanabilir.
Yan süpürge yüksekliği ayarlanabilir. Bu kılavuzun "Yan Süpürge Bakımı" bölümüne bakınız.

DİKKAT!

Zemine zarar vermemek için, fırçalar dönerken makineyi hareketli halde bulundurunuz.

- 8 Ovma işlemi sırasında, atık suyun tamamen alındığından emin olmak için ara sıra makinenin arkasını kontrol edin. Makinenin arkasında su kalıyorsa, çok fazla çözelti veriyor olabilirsiniz, geri alma deposu dolu olabilir ya da lastik sileceğin ayarlanması gerekli olabilir.
- 9 Makine otomatik olarak EcoFlex temizleme moduna geçerek (EcoFlex Anahtarı Göstergesi yanar) çözelti ve deterjandan tasarruf sağlar. EcoFlex Anahtarına (G) basarak, EcoFlex temizleme modunu devre dışı bırakın ve ovma basıncı, çözelti akışı ve deterjan yüzdesini geçici olarak artırın. Gösterge bir dakika yanıp sönecek, çözelti debisi bir sonraki seviyeye yükselecek, ovma basıncı bir sonraki seviyeye yükselecek ve deterjan yüzdesi bir üst yüzdeye yükselecektir.
NOT: EcoFlex Anahtarını (G) 2 saniye basılı tutmak EcoFlex sistemini devre dışı bırakır. Yeniden etkinleştirmenin tek yolu EcoFlex Anahtarına (G) tekrar basmaktır. Anahtar Sivini (A) kapatıp açılması sistemi yeniden etkinleştirmez. EcoFlex sistemi sadece Ovma Sistemi (D) etkinleştirilmişse çalışır.
- 10 Çok kirlili zeminler için, bir geçişlik ovma işlemi yeterli olmayabilir ve "çift ovma" işlemi gerekli olabilir. Bu işlem tek geçişlik ovma ile "çift ovma" işlemi gerekli olabilir. Bu işlem tek geçişlik ovma ile aynıdır, ancak birinci geçişte lastik silecek yukarı konumdadır (sileceği kaldırmak için Vakum/Çubuk Anahtarına (I) basın). Böylece temizlik maddesinin zeminde kalarak üzerinde tekrar çalışma yapılması sağlanır. Son geçişte, biriken çözeltiyi almak için lastik silecek indirilerek aynı alan üzerinde çalışılır.
- 11 Geri alma deposunun kesme şamandırası (15), geri alma deposu dolduğunda tahrik sistemi dışında TÜM sistemlerin KAPALI konuma gelmesini sağlar. Bu şamandıra etkin hale geldiğinde, geri alma deposu boşaltılmalıdır. Şamandıra etkin haldeyken makine suyu almayacak ya da ovma işlemi yapmayacaktır.
NOT: Şamandıra etkin olduğunda, tüm diğer göstergeler söner ve Ekran Panelinde "Geri Alma Deposu DOLU" Göstergesi (K7) görünür. Depo dolu olmamasına rağmen kontrol panelinde sürekli dolu göstergesi yanıyorsa, otomatik kesme özelliği devreden çıkarılabilir; bu işlevi yerine getirmesi için bir kalifiye servis teknisyeninin servis el kitabını kullanmasına imkan veriniz.
- 12 Operatörün ovma işlemi durdurmak istemesi ya da geri alma deposunun dolu olması halinde, Fırçalama KAPALI Anahtarına (E) bir kez basın. Böylece ovma fırçaları ve çözelti akışı otomatik olarak duracak ve ovma güvertesi yukarı kalkacaktır. Lastik silecek kısa süre sonra yukarı kalkacak ve bir süre sonra da vakum duracaktır (bunun amacı vakumu tekrar açmadan kalan suların hepsini alabilmektir)
- 13 Makineyi belirtilen bir atık su "İMHA SAHASINA" götürün ve geri alma deposunu boşaltın. Boşaltmak için, Akıtma Hortumunu (19) arka depolama alanından çekin ve tapasını çıkarın (atık suyun aniden kontrolsüz şekilde akmasını önlemek için hortumunu ucunu depodaki su seviyesinin üzerinde tutun). Çözelti deposunu tekrar doldurun ve ovma işlemine devam edin.
NOT: Geri Alma Deposu Kapağı (1) ve Geri Alma Deposu Akıtma Hortumu (19) kapsülünün uygun biçimde yerine takılmasına dikkat edin; aksi halde makine kalan suları düzgün şekilde almayacaktır.

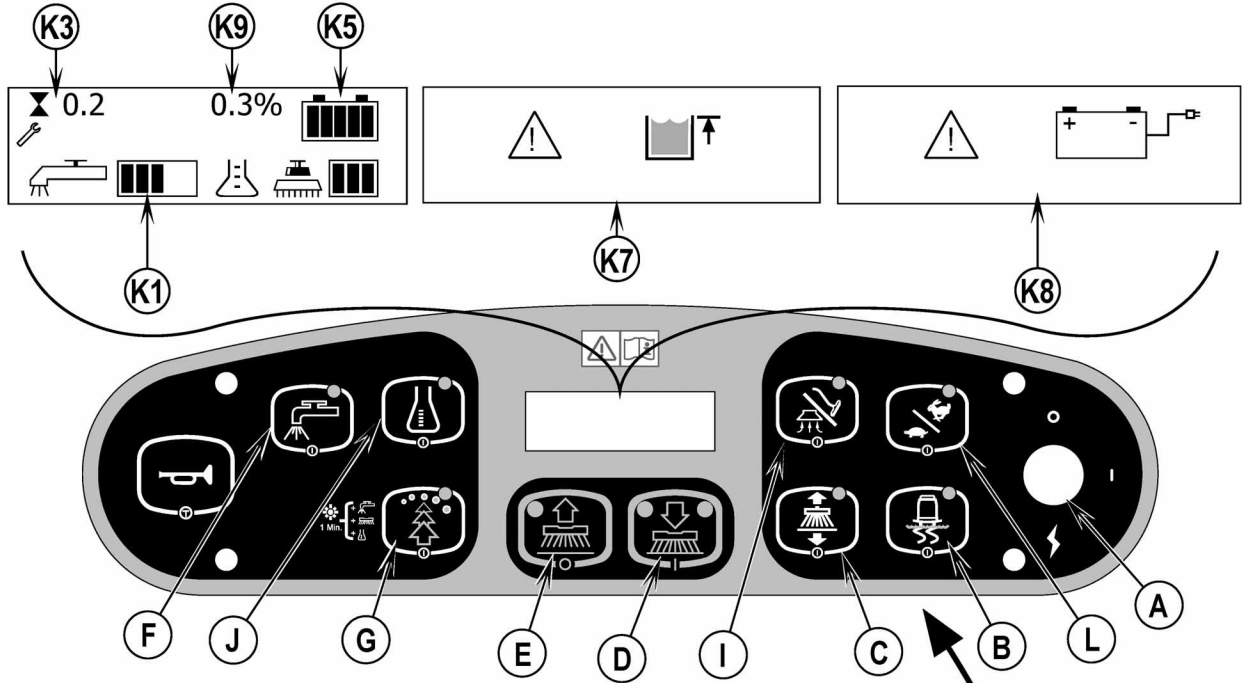
Bataryaların şarj edilmesi gerektiğinde, Batarya ZAYIF Göstergesi (K8) yanacak, ovma fırçaları ve çözelti akışı duracak ve ovma güvertesi yukarı kalkacaktır. Kısa bir süre sonra lastik silecek yukarı kalkacak ve biraz sonra da vakum duracaktır. Makineyi bir servis alanına götürün ve bu kılavuzun Batarya bölümünde yer alan talimatlara uygun olarak bataryaları şarj edin.

ISLAK VAKUMLAMA

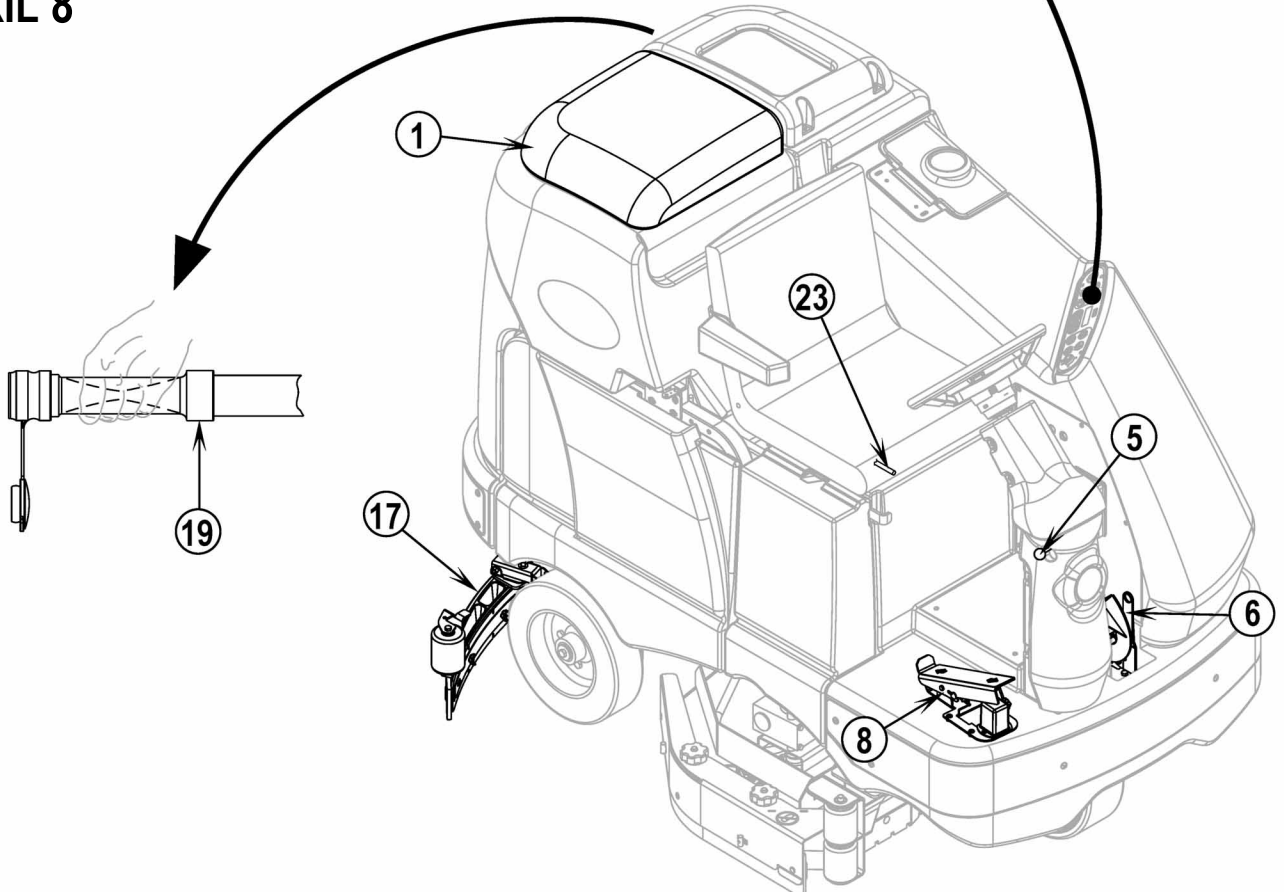
Makineyi ıslak vakumlama için seçmeli eklentilerle donatmak üzere bu adımları takip ediniz.

- 1 Geri alma hortumunu lastik silecekten (17) sökün. Kaplini ve hortumu değnek kitinden geri alma hortumuna bağlayın.
- 2 Uygun ıslak alma aletlerini hortuma takın. (Seçmeli Değnek Kiti olan PN56413687, Nilfisk'ten temin edilebilir).
- 3 Ana Kontak Anahtarını (A) AÇIK konuma getirin ve Vakum/Çubuk Anahtarına (I) basın. Vakum motoru ve pompa, KAPALI konuma getirmek için tekrar anahtara basılına kadar sürekli çalışacaktır. **NOT:** Değnek modu etkin hale getirildiğinde, "Geri Alma Deposu DOLU" göstergesi devreden çıkar. Şamandıra geri alma deposuna akışı durduracaktır.

SERVİS NOTU: Tüm kumanda donanımı ve seçmeli programlanabilir özelliklerinin ayrıntılı işlev açıklamaları için servis el kitabına bakınız.



ŞEKİL 8



B-16 / TÜRKÇE

KULLANIM SONRASI

- 1 Ovma işlemi bittiğinde, Fırçalama Kapalı Anahtarına (E) basın. Böylece bütün makine sistemleri otomatik olarak yukarı kalkacak, içeri çekilecek ve duracaktır (fırça, lastik silecek, vakum, çözeltili ve deterjan (EcoFlex modellerinde)). Daha sonra günlük bakım ve diğer gerekli servis işlemlerinin yapılması için makineyi bir servis alanına götürün.
- 2 Çözeltili deposunu boşaltmak için, Çözeltili Akıtma Hortumunu (4) depolama kelepçesinden çıkarın. Hortumu belirtilen bir "İMHA SAHASINA" doğru tutun ve tapasını çıkarın. Depoyu temiz su ile durulayın.
- 3 Geri alma deposunu boşaltmak için, Geri Alma DEPOSU Akıtma Hortumunu (19) depolandığı yerden çekin. Hortumu belirtilen "İMHA SAHASINA" doğru tutun ve tapasını çıkarın (atık suyun aniden kontrolsüz şekilde akmasını önlemek için hortumun ucunu depodaki su seviyesinin üzerinde tutun). Akışı düzenlemek için Geri Alma Deposu Akıtma Hortumu sıkılabilir. Geri alma deposunu temiz su ile durulayın. Geri alma ve vakum hortumlarını kontrol edin; dolaşmış veya hasar görmüş ise değiştirin.
- 4 Fırçaları veya yastık tutucuları çıkarın. Fırçaları veya yastıkları ılık su ile yıkayarak kuruması için bir yere asın.
- 5 Lastik sileceği çıkarın, ılık su içinde durulayın ve tekrar yerine takın.
- 6 Silindir sistemlerde huniyi çıkarın ve iyice temizleyin. Makinenin herhangi bir kenarından etekliği çıkararak huniyi yukarıya ve karterin dışına doğru kaldırın ve çekin.
- 7 Aşağıdaki bakım çizelgesini kontrol edin ve depolamadan önce gerekli bakım işlemlerini gerçekleştirin.

BAKIM ÇİZELGESİ

BAKIM KALEMİ	Günlük	Haftalık	Aylık	Yıllık
Bataryaların Şarj Edilmesi	X			
Depoların & Hortumların Kontrolü/Temizlenmesi	X			
Fırçaların/Yastıkların Kontrolü/Temizlenmesi/Döndürülmesi	X			
Lastik Sileceğin Kontrolü/Temizlenmesi	X			
Vakum Kesme Şamandırasının Kontrolü/Temizlenmesi	X			
Vakum motoru köpük filtresinin (filtrelerinin) Kontrolü/Temizlenmesi	X			
Silindir Sistemde Huninin Temizlenmesi	X			
Batarya Su Seviyesinin Kontrolü		X		
Ovma Karteri Eteklilerinin Denetlenmesi		X		
Çözeltili Filtresinin Denetlenmesi ve temizlenmesi		X		
Aşınma & Ayar için Ayak/El Freninin Kontrolü		X		
Silindir Sistemde Çözeltili Kanalının Temizlenmesi		X		
Deterjan Sistemi (sadece EcoFlex) tasfiyesi		X		
Yan Süpürge'nin Bakımı		X		
Yağlama - Gres Tertibatı			X	
* Karbon Fırçaların Kontrolü				X

* Yılda bir kez ya da 300 işletim saatinden sonra vakum motoru karbon motoru fırçalarını Nilfisk'e kontrol ettirin. Yılda bir kez ya da her 500 saatte bir fırça ve tahrik motoru karbon fırçalarını kontrol edin.

NOT: Bakım ve servis onarımları ile ilgili daha fazla ayrıntı için Servis El Kitabına bakınız.

- 8 Makineyi kapalı alanda temiz ve kuru bir yerde muhafaza edin. Donmaya karşı koruyun. Depoları havalandırmak için açık bırakın.
- 9 Ana Kontak Anahtarını (A) KAPALI (O) konuma getirin ve anahtarı çıkarın.

MAKİNEİNİN YAĞLANMASI- ŞEKİL 9

Ayda bir kez, makine üzerindeki gresörlüklere gres, rulmanların dışına sızana kadar bir miktar gres pompalayın.

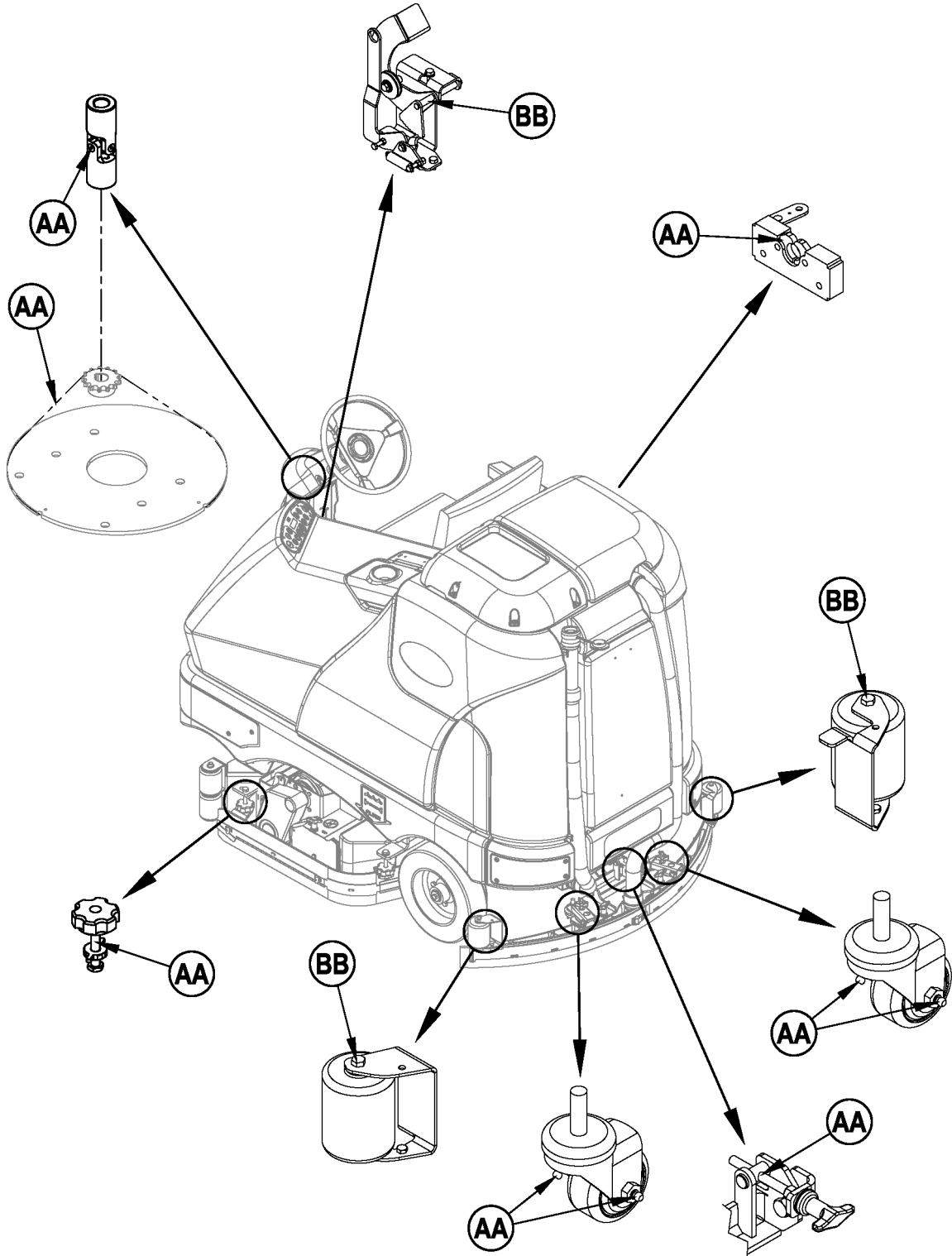
Gresörlük yerleri (gresin uygulanacağı yerler) (AA):

- Lastik Silecek Ayak Tekerleği Dingil ve Mihveri
- Direksiyon Mili Kardan mafsalı
- Direksiyon Zinciri
- Lastik silecek montaj açısı ayar düğmesi yivleri

Ayda bir kez, aşağıdaki parçaları yağlamak için hafif makine yağı uygulayın (BB):

- Lastik silecek aleti uç tekerlekleri
- Geri Alma Deposu açma mandalı
- Fren Pedalı (El Freni) bağlantısı

ŞEKİL 9



BATARYALARIN ŞARJ EDİLMESİ

Bataryaları makinenin kullanıldığı her seferden sonra veya Batarya Göstergesi (K5) tam dolu göstermediğinde şarj edin.

Bataryaları Şarj Etmek için...

- 1 **Bkz. Şekil 10.** Batarya Bağlantısı Kesme (11) parçasını bastırın.
- 2 Yan Erişim Panelini (27) açın ve konektörü şarj cihazından Batarya Konektörüne (20) doğru itin.
- 3 Batarya şarj cihazı üzerindeki talimatları uygulayın.
- 4 Bataryaları şarj ettikten sonra, tüm batarya hücrelerindeki sıvı seviyesini kontrol edin. Sıvı seviyesini doldurma tüplerinin altına kadar getirmek için, gerekli ise, damıtık su ilave edin.



UYARI!

Bataryaları şarj etmeden doldurmayın.
Bataryaları iyi havalandırılmış alanda şarj edin.
Bataryalar üzerinde çalışırken sigara içmeyin.

Bataryaların Bakım İşlemleri...

- * Bütün takılarınızı çıkarın
- * Sigara içmeyin
- * Emniyet gözlükleri, lastik eldivenler ve bir lastik önlük takın.
- * İyi havalandırılmış alanda çalışın.
- * Aletlerin aynı anda birden fazla batarya kutup başına temas etmesine izin vermeyin
- * Bataryaları değiştirirken kıvılcım çıkmasını önlemek için HER ZAMAN negatif (toprak) kabloyu önce sökün.
- * Bataryaları takarken HER ZAMAN negatif kabloyu en son bağlayın.



DİKKAT!

Zemin yüzeylerine zarar gelmesini önlemek için, şarj işleminden sonra bataryaların üzerinden kalan su ve asidi temizleyin.

BATARYA SU SEVİYESİNİN KONTROL EDİLMESİ

Bataryaların su seviyesini en az haftada bir kontrol edin.

Bataryaları şarj ettikten sonra, hava kapaklarını çıkarın ve her batarya hücresindeki su seviyesini kontrol edin. Her batarya hücresini seviye göstergesine kadar (ya da ayırıcıların üzerinde 10 mm seviyesine kadar) doldurmak için bir batarya doldurma kabı (oto parçası satan mağazaların pekçoğunda mevcuttur) içinde damıtık veya demineralize su kullanın.

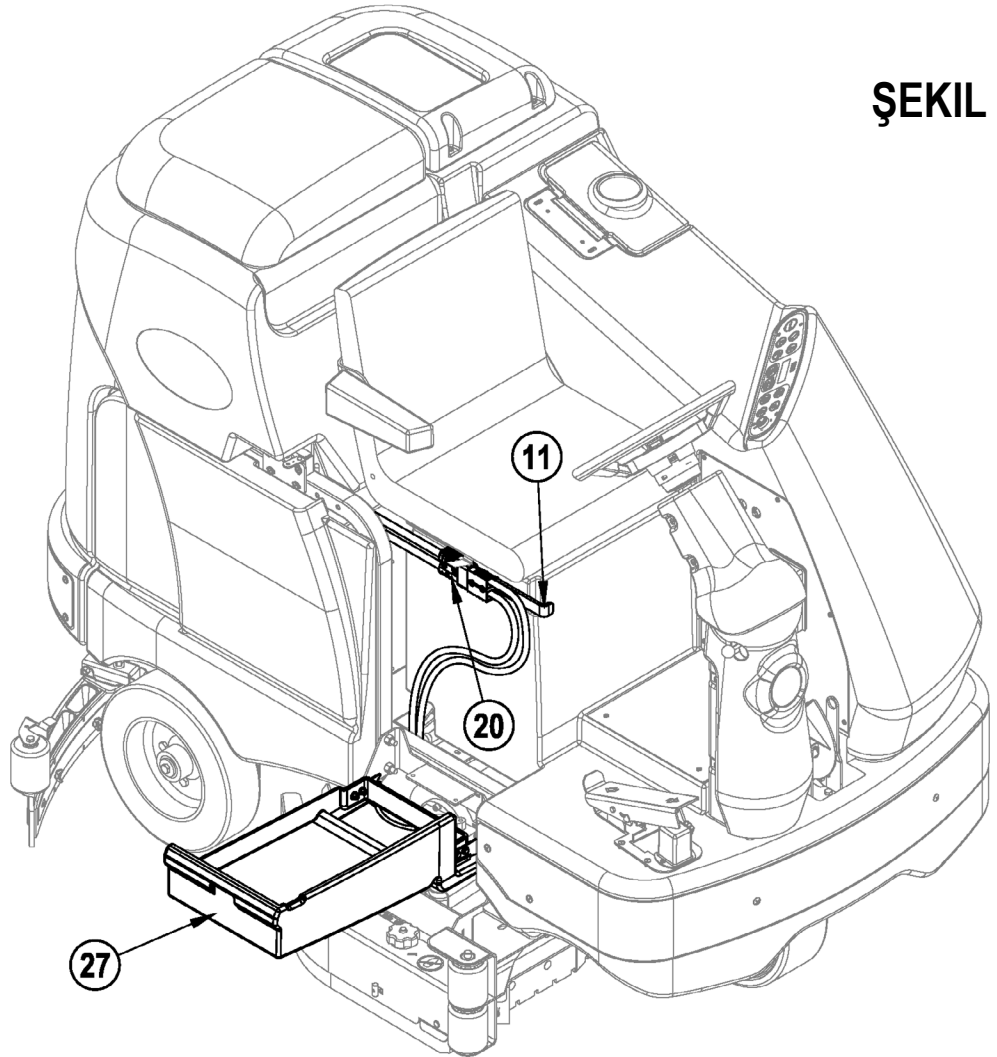
Bataryaları aşırı DOLDURMAYIN!



DİKKAT!

Bataryaların aşırı doldurulması halinde asit zemine dökülebilir.

Hava başlıklarını sıkın. Bataryaların üst taraflarını karbonat ve sudan oluşan bir çözelti (2 yemek kaşığı karbonat ve 1 litre su) ile yıkayın.



ŞEKİL 10

LASTİK SİLECEK BAKIMI

Lastik silecek arkasında dar şeritler veya su bırakırsa, bıçak ağızları kirlenmiş veya hasar görmüş olabilir. Lastik sileceği çıkarın, ılık su içinde durulayın ve bıçak ağızlarını kontrol edin. Kesik, yırtılmış, dalgalı veya aşınmış bıçak ağızlarını ters çevirin veya değiştirin.

Arka Lastik Silecek Ağızını Ters Çevirmek veya Değiştirmek için...

- 1 Bkz. Şekil 11. Lastik silecek aletini zeminden kaldırın ve lastik silecek aleti üzerindeki Merkezi Mandalı (AA) gevşetin.
- 2 Germe Kayışlarını (BB) çıkarın.
- 3 Arka bıçak ağızını hizalama pimlerinden ayırın.
- 4 Lastik sileceğin, aşağıda görüldüğü gibi 4 çalışma köşesi vardır. Temiz ve hasarsız bir köşe makinenin ön tarafına bakacak şekilde bıçak ağızını döndürün. 4 köşenin hepsi büyük oranda çentikli, aşınmış veya yırtılmış ise bıçak ağızını değiştirin.
- 5 Yukarıdaki adımları tersten uygulayarak bıçak ağızını yerine takın ve lastik silecek eğimini ayarlayın.

Ön Lastik Silecek Ağızını Ters Çevirmek veya Değiştirmek için...

- 1 Lastik silecek aletini zeminden kaldırın ve lastik silecek üzerindeki Kelebek Somunları (CC) gevşetin (2) ve lastik silecek aletini düzenden çıkarın.
- 2 İlk önce her iki arka Germe Kayışlarını çıkarın.
- 3 Ön bıçak ağızını yerinde tutan tüm kelebek somunları çıkarın ve sonra germe kayışını ve bıçak ağızını çıkarın.
- 4 Lastik sileceğin, aşağıda görüldüğü gibi 4 çalışma köşesi vardır. Temiz ve hasarsız bir köşe makinenin ön tarafına bakacak şekilde bıçak ağızını döndürün. 4 köşenin hepsi büyük oranda çentikli, aşınmış veya yırtılmış ise bıçak ağızını değiştirin.
- 5 Yukarıdaki adımları tersten uygulayarak bıçak ağızını yerine takın ve lastik silecek eğimini ayarlayın.

LASTİK SİLECEK AYARI

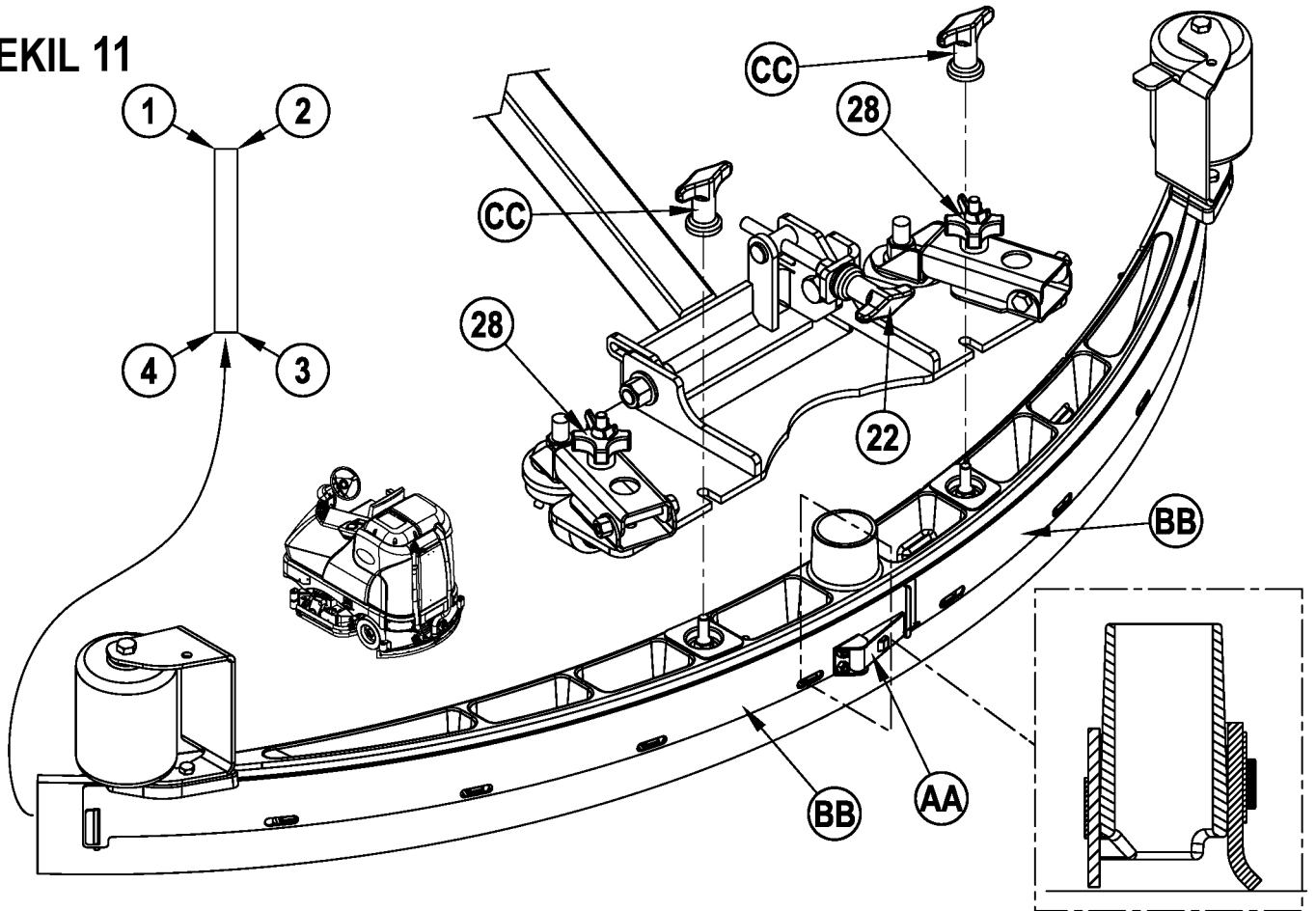
Lastik silecek aletinde mümkün olan iki ayar vardır: açığı ve yükseklik ayarı.

Lastik Silecek Açısının Ayarlanması

Bir bıçak ağızının ters çevrilmesi veya değiştirilmesinden sonra veya lastik sileceğin zemini kurutmadan bırakması halinde lastik silecek açısını ayarlayın.

- 1 Makineyi düz ve engebesiz bir yüzeye getirin.
- 2 Lastik sileceğin arka ağızı bütün uzunluğu boyunca zemine aynı seviyede temas edecek ve lastik silecek kesitinde görüldüğü gibi hafifçe eğim alacak şekilde lastik sileceği aşağıya indirin, makineyi hafifçe öne doğru hareket ettirin ve Lastik Silecek Eğim Ayar Düğmesi (22) ve Lastik Silecek Yükseklik Ayar Düğmelerini (28) kullanarak lastik silecek eğim ve yükseklik ayarını yapın.

ŞEKİL 11



YAN ETEKLIĞİN BAKIMI

Yan etekliğin işlevi, atık suyu lastik sileceğe iletmek ve suyun makinelerin temizleme yolu üzerinde kalmasını sağlamaktır. Normal kullanım koşullarında bıçak ağızları zaman içinde aşınacaktır. Operatör yan etekliklerin altından dışarıya sızan az miktarda su fark edecektir. Bıçak ağızlarını alçaltarak lastik sileceğin tüm suyu alabilmesini sağlamak için yükseklik ayarı kolaylıkla yapılabilir.

Ovma sistemi yan etekliklerini ters çevirmek veya değiştirmek için ...

- 1 **Bkz. Şekil 12.** Yan eteklik Tespit Somunlarını **(AA)** gevşetin (her tarafta 2 adet) ve Eteklik Tertibatlarını **(BB)** fırçalama güvertesinden çıkarın. **NOT:** İlk olarak öne doğru kaydırdıktan sonra çekerek eteklikleri çıkarın.
- 2 Bıçak ağızlarını eteklik karterlerinde tutan tüm donanımı çıkarın. **NOT:** Her bir eteklik karteri üzerindeki ana bıçak ağız Aletsiz Tespit Elemanları ile tutulmaktadır. Geniş Kelebek Somunları **(CC)** gevşetin ve eteklik karteri dış tarafındaki Düğmeleri **(DD)** yatay konuma gelene kadar döndürün ve yuvaların içinden itin. Disk modellerinde bulunan küçük iç Bıçak Ağızını **(EE)** (2) vida ve somun tutmaktadır ve bunlar 2 çalışma köşesine sahiptir.
- 3 Ana eteklik bıçak ağızının, aşağıda görüldüğü gibi, 4 çalışma köşesi vardır. Temiz ve hasarsız bir köşe makinenin merkez tarafına bakacak şekilde bıçak ağızını döndürün. 4 köşenin hepsi ayarlanamaz derecede çentikli, aşınmış veya yırtılmış ise bıçak ağızını komple değiştirin.
- 4 Eteklik karter tertibatlarını makine üzerine tekrar monte edin ve bıçak ağızını fırça güvertesi ovma konumuna getirildiğinde zemine düzgün temas edecek şekilde ayarlayın.

YAN ETEKLİK YÜKSEKLİK AYARI

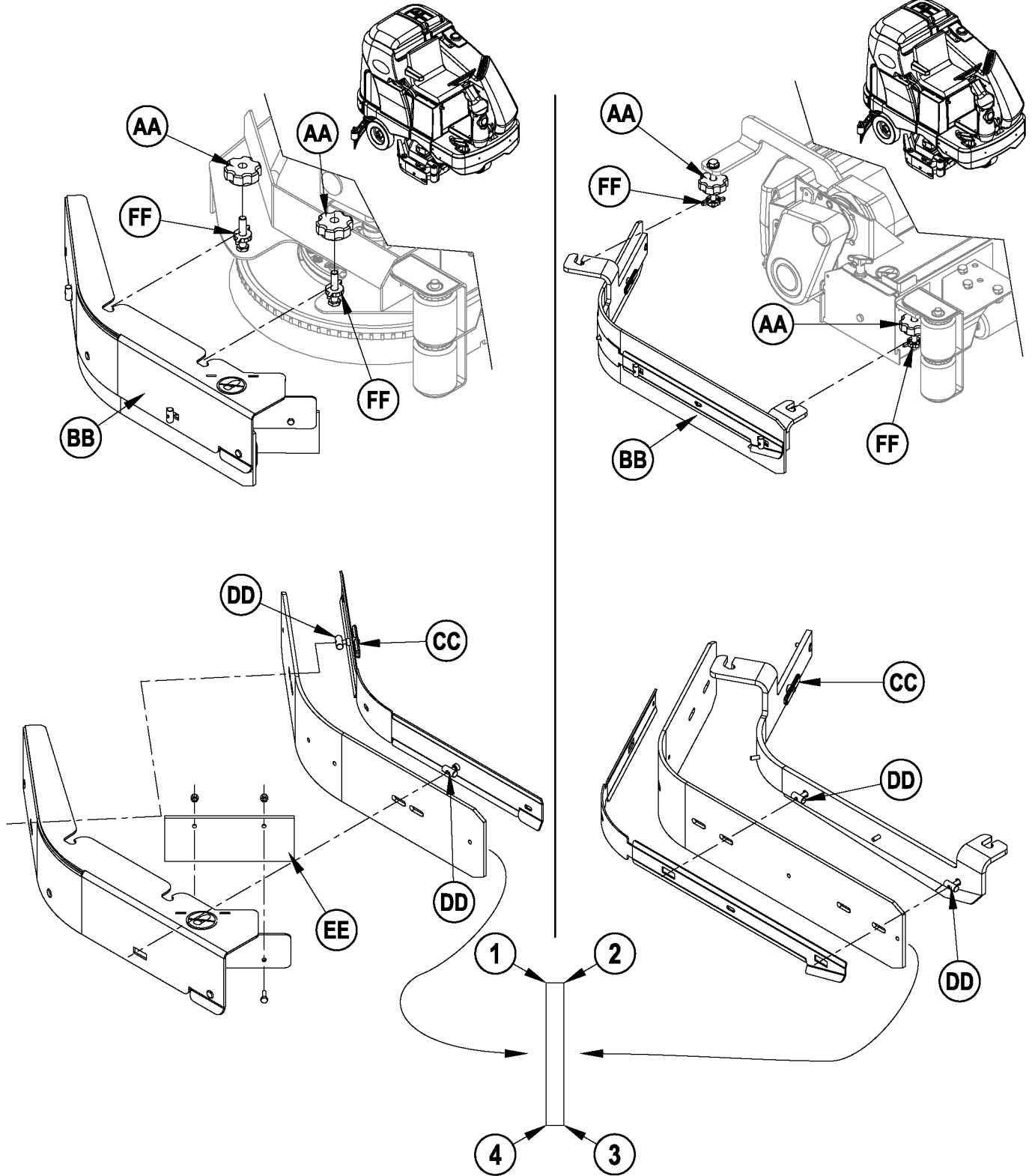
- 1 Yan eteklik karter düğmesi tespit vidası çivileri, bıçak ağızı aşınmasını telafi üzere yükseltilep alçaltılabilecek düzleştirici Ayarlama Halkalarına **(FF)** sahiptir.
- 2 Ayarlama yapmak için, Eteklik Tertibatını **(BB)** Ayarlama Halkalarına ulaşılacak **(FF)** şekilde fırçalama güvertesinden çıkarın. Ayarlama İpucu: Eteklik Tespit Somunları **(AA)** eteklikler sola doğru çevrilerek gevşetilebilir ve Ayarlama Halkaları **(FF)** eteklik karterinin altına ulaşarak döndürülebilir.
- 3 Ayarlama Halkalarını **(FF)** tüm atık su eteklik içinde kalacak şekilde bıçak ağızlarının ovma sırasında kaplayacağı alana göre döndürün (Yukarı veya Aşağı). **NOT:** Bıçak ağızlarının iyi silmesi için küçük ayarlamalar yapın. Bıçak ağızlarını zemine aşırı temas edecek ve gereksiz ağız aşınmasına yol açacak şekilde fazla indirmeyin.

YAN ETEKLIĞİN BAKIMI

DİSK

ŞEKİL 12

SİLİNDİR



YAN SÜPÜRGENİN BAKIMI

Yan süpürge(ler), duvarlar veya kaldırım kenarlarındaki kir ve çöplerin ana süpürgenin rotasına getirilmesini sağlar. Yan süpürgeyi, süpürge aşağı konumda ve çalışırken kılları zemine **Şekil 13**'de görüldüğü gibi saat 10 (**AA**) açısından saat 3 (**BB**) açısına doğru bir alanda temas edecek şekilde ayarlayın.

Yan süpürgeler ayarlama modundan ayarlanır. "Ayarlama Modu"na girmek için aşağıdaki adımları gerçekleştirin...

- 1 Kontak Anahtarını (**A**) KAPALI konuma (O) getirin.
- 2 Yan Süpürge Anahtarına (**C**) ve Ovma Kapalı Anahtarına (**E**) basılı tutun.
- 3 Anahtarları (**C & E**) tutarken, kontak anahtarını Açık konuma (I) getirin.
- 4 Yan süpürge, ovma kapalı ve ovma açık LED'leri yanana kadar düğmeleri 2 saniye tutun.
- 5 Düğmeleri bırakın. Ekranda (**K**) şimdi "YAN SÜPÜRGE AYARI" görülecektir.

"Ayarlama Modu" içine girdikten sonra, yan süpürgeyi ayarlamak için aşağıdakileri gerçekleştirin...

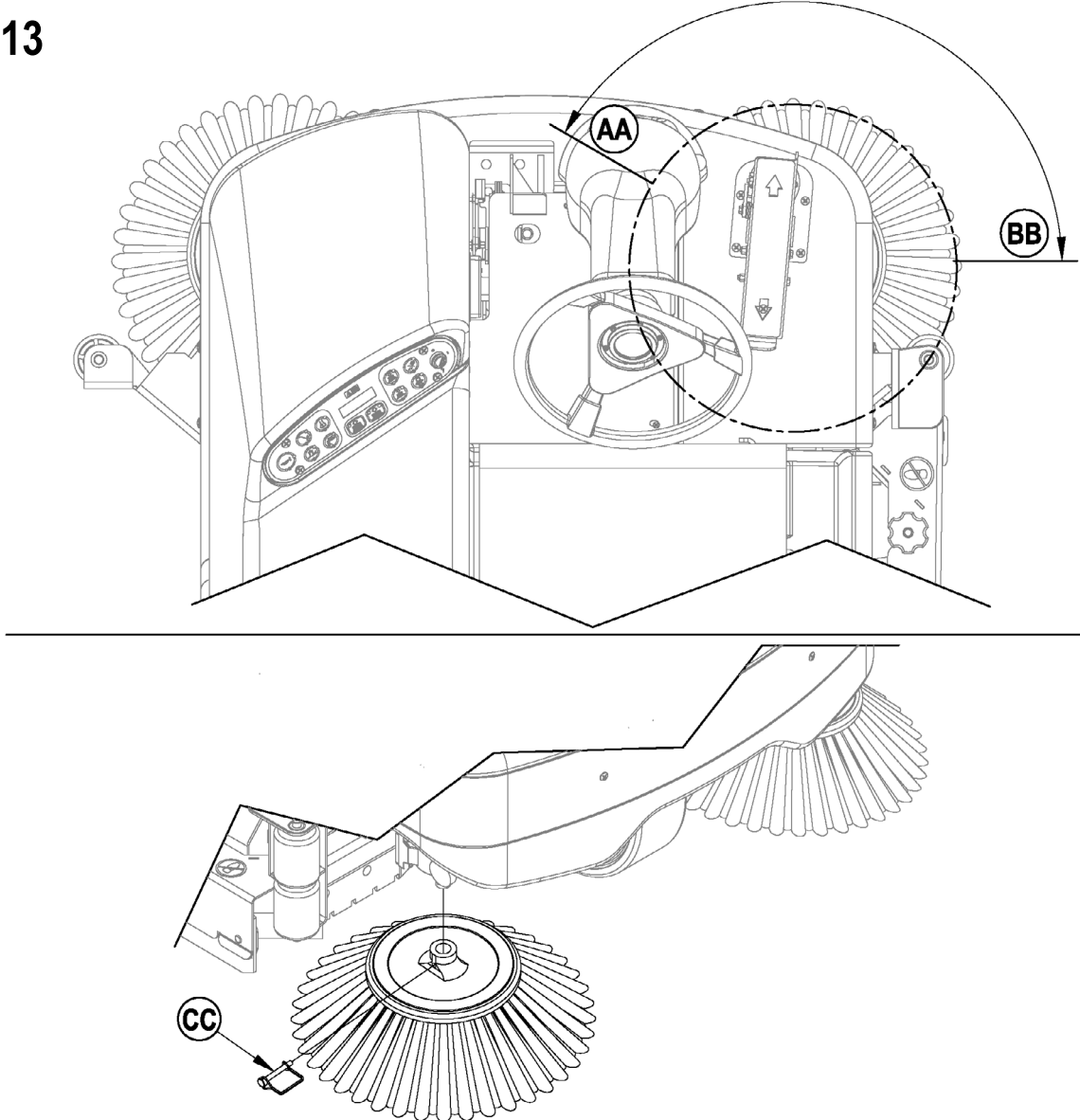
- 1 Yan süpürgeleri indirmek için Ovma Açık Anahtarına (**D**) basın ve istenen yüksekliğe ulaşana kadar yan süpürgeleri kaldırmak için Yan Süpürge Anahtarına (**C**) basın.
- 2 Yan süpürge yükseklik konumunu kaydetmek için Ovma Kapalı Anahtarına (**E**) basın. Yan süpürgeler yukarı konuma kaldırılacak ve ekranda bir anahtar simgesi görülecektir (anahtarın açılıp kapatıldığını belirtir).
- 3 Makine şimdi yeni yan süpürge yükseklik konumunu kullanacak şekilde yeniden programlanmıştır.

NOT: Makine, Yan Süpürgeler kalkık konumda iken saklanmalıdır. Yan Süpürgeler, kıllarının 3 inç (7.62 cm) uzunluğa kadar aşınması veya etkisiz çalışmaları halinde değiştirilmelidir.

Yan Süpürgeyi ayarlamak için...

- 1 Yan Süpürgeyi (süpürgeleri) kaldırın.
- 2 Yan süpürgeyi tutan geniş Pimi (**CC**) kaldırın ve süpürgeyi çıkarın.
- 3 Yeni süpürgeyi mil üzerinde YUKARI doğru kaydırarak ve Pimi (**CC**) yeniden takarak monte edin.

ŞEKİL 13



GENEL SORUN GİDERME

Sorun	Olası Neden	Çözüm
Su alımı kötü	Lastik silecek ağızları aşınmış veya yıpranmıştır	Ters çevirin veya değiştirin
	Lastik silecek ayarsızdır	Bıçak ağızları bütün alan boyunca zemine düzgün temas edecek şekilde ayarlayın
	Geri alma deposu doludur	Geri alma deposunu boşaltın
	Geri alma deposu akıtma hortumu sızıntısı	Akıtma hortumu kapağını sıkın veya değiştirin
	Geri alma deposu kapak contası sızıntısı	Contayı değiştirin / Kapağı düzgün yerleştirin
	Lastik sileceğe çöp takılmıştır	Lastik silecek aletini temizleyin
	Vakum hortumu tıkanmıştır	Çöpleri çıkarın
	Çok fazla çözelti kullanılmıştır	Kontrol paneli çözelti düğmesi ile akışı azaltın
Köpük filtresi kapağı tam oturmamıştır	Kapağı düzgün yerleştirin	
Ovma performansı kötü	Aşınmış fırça veya yastık	Fırçaları döndürün veya değiştirin
	Yanlış fırça veya yastık tipi	Nilfisk'e danışın
	Yanlış temizleme kimyasalı	Nilfisk'e danışın
	Makinenin çok hızlı hareket ettirilmesi	Yavaşlayın
	Yeterli çözelti kullanılmaması	Kontrol paneli çözelti düğmesi ile akışı artırın
Ovma Motorları Çalışmıyor	Açılmış 20 Amp (F3) devre kesici	Elektrik kısa devresini kontrol edin & yeniden çalıştırın.
Yetersiz çözelti akışı ya da çözelti akışı olmaması	Çözelti deposu boştur	Çözelti deposunu doldurun
	Çözelti hatları, valfleri, filtresi veya kanalı tıkalıdır	Hatları ve kanalı su ile yıkayın ve çözelti filtresini temizleyin
	Çözelti KAPALI konumdadır	Kontrol paneli çözelti düğmesi ile akışı açın
	Çözelti solenoid valfi tıkalı veya kusurludur	Valfi temizleyin veya değiştirin (bkz. Servis el kitabı)
Makine çalışmıyor	Acil durdurma anahtarı açılmıştır	Batarya konektörlerini yeniden bağlayın
	Operatör koltuğu emniyet anahtarı	Açık devre olup olmadığını kontrol edin ve değiştirin
	Ana sistem denetleyicisi	Hata kodlarını kontrol edin (bkz. Servis el kitabı)
	Açılmış 3 Amp (F1) devre kesici	Elektrik kısa devresini kontrol edin & yeniden çalıştırın.
Tekerlekler İLERİ/GERİ gitmiyor	Tahrik sistemi hız denetleyicisi	Hata kodlarını kontrol edin (bkz. Servis el kitabı)
	Acil durdurma anahtarı açılmıştır	Batarya konektörlerini yeniden bağlayın
Vakum kapalı ve geri alma deposu dolu olmamasına rağmen ekranda "DOLU" yazmakta	Lastik silecek hortumu tıkanmıştır	Çöpleri temizleyin
	Yüksek seyahat hızında yüksek oranda suyun vakumlanması	Yavaşlayın veya otom. kesme özelliğini kapatın (bkz. Servis el kitabı)
Süpürme Performansı Kötü (Silindir Sistemde)	Huni Doludur	Huniyi boşaltın ve temizleyin
	Fırçalar aşınmıştır	Fırçaları değiştirin
	Süpürge kilları katılmıştır	Fırçaları döndürün
Deterjan Akışı yok (sadece EcoFlex modellerinde)	Deterjan kartuşu boştur	Deterjan kartuşunu doldurun
	Tıkanmış veya dolaşmış deterjan akış hattı	Sistemi tasfiye edin, dolaşmaları düzeltmek için hatları doğrultun
	Deterjan kartuşu üzerindeki kuru mühürlü başlık mühürlü değildir	Kuru mühürlü başlığı yeniden yerleştirin
	Deterjan pompası kablolaması bağlantısı yok veya geriye doğru	Kablolamayı bağlayın veya birleştirin

B-24 / TÜRKÇE

TEKNİK ÖZELLİKLER (ünite üzerinde monte ve test edilen)

Model		BR1100S C	BR1300S C
		BR1100S	BR1300S
Model No.		56413007	56413011
		56413006	56413010
Voltaj, Bataryalar	V	36V	36V
Batarya Kapasitesi	Ah	480	480
Koruma Derecesi		IPX3	IPX3
Ses Basıncı Seviyesi (ISO 11201)		76dB LpA, 3dB KpA	76dB LpA, 3dB KpA
Ses Basıncı Seviyesi (ISO 11201)		72dB LpA, 3dB KpA	72dB LpA, 3dB KpA
Brüt Ağırlık	lbs / kg	3325 / 1508	3410 / 1547
Nakliye Ağırlık	lbs / kg	2897 / 1314	2982 / 1353
Brüt Ağırlık	lbs / kg	3220 / 1460	3320 / 1506
Nakliye Ağırlık	lbs / kg	2792 / 1266	2892 / 1312
Maksimum Tekerlek Zemin Yükü (orta ön)	psi / kg/cm ²	116/ 119.9	116/ 119.9
Maksimum Tekerlek Zemin Yükü (sağ arka)	psi / kg/cm ²	81 / 83.7	81 / 83.7
Maksimum Tekerlek Zemin Yükü (sol arka)	psi / kg/cm ²	86 / 88.9	86 / 88.9
EI Kumandaları Titreşimleri (ISO 5349-1)	m/s ²	<1.12m/s ²	<1.12m/s ²
EI Kontrollerinde Vibrasyon (ISO 5349-1) Belirsizlik	m/s ²	.11 m/s ²	.11 m/s ²
Koltuk Titreşimleri (EN 1032)	m/s ²	<0.35m/s ²	<0.35m/s ²
Koltuktaki Titreşimler (EN 1032/ISO 2631-1) Belirsizlik	m/s ²	0.035m/s ²	0.035m/s ²
Tırmanma Yeteneği			
Taşıma		% 16 (9°)	% 16 (9°)
Temizleme		% 10.5 (6°)	% 10.5 (6°)

Overenstemmelseserklæring
Declaration of conformity
Konformitätserklärung
Declaración de conformidad
Atbilstības deklarācija
Megfelelősségi nyilatkozat
Certifikat o ustreznosti

Declaration de conformité
Verklaring van overeenstemming
Dichiarazione di conformità
Vastavussertifikaat
Deklaracja zgodności
Försäkran om överensstämmelse

Samsvarserklæring
Vaatimustenmukaisuusvakuutus
Atitikties deklaracija
Osvědčení o shodě
Certifikát súladu

Modell/ Modèle/ Model/ Malli/ Modelo/ Μοντέλο/ Modelo/ Modelis/Модель: Scrubber
Type/ Τυππι/ Tipo/ Τύπος/ Tüüp/ Tipas/ Tips/ Typ/ Τίπος/ Тип/ Tip: BR1100S-C-X and BR1300S-C-X

- D** Der Unterzeichner bestätigt hiermit dass die oben erwähnten Modelle gemäß den folgenden Richtlinien und Normen hergestellt wurden.
- GB** The undersigned certify that the above mentioned model is produced in accordance with the following directives and standards.
- DK** Undertegnede attesterer herved, at ovennævnte model er produceret i overensstemmelse med følgende direktiver og standarder.
- N** Undertegnede attesterer att ovennevnte modell är produsert i överensstemmelse med följande direktiv og standarder.
- E** El abajo firmante certifica que los modelos arriba mencionados han sido producidos de acuerdo con las siguientes directivas y estandares.
- I** Il sottoscritto dichiara che i modelli sopra menzionati sono prodotti in accordo con le seguenti direttive e standard.
- EST** Allakirjutanu kinnitab, et ülalnimetatud mudel on valmistatud kooskõlas järgmiste direktiivide ja normidega.
- LV** Ar šo tiek apliecināts, ka augstākminētais modelis ir izgatavots atbilstoši šādām direktīvām un standartiem.
- CZ** Niže podepsaný stvrzuje, že výše uvedený model byl vyroben v souladu s následujícími směrnici a normami.
- SLO** Spodaj podpisani potrjujem, da je zgoraj omenjeni model izdelan v skladu z naslednjimi smernicami in standardi.
- F** Je soussigné certifie que les modèles ci-dessus sont fabriqués conformément aux directives et normes suivantes.
- NL** Ondergetekende verzekert dat de bovengenoemde modellen geproduceerd zijn in overeenstemming met de volgende richtlijnen en standaards.
- FIN** Allekirjoittaja vakuuttaa että yllämainittu malli on tuotettu seuraavien direktiivien ja standardien mukaan.
- S** Undertecknad intygar att ovannämnda modell är producerad i överensstämmelse med följande direktiv och standarder.
- GR** Ο κάτωθι υπογεγραμμένος πιστοποιεί ότι η παραγωγή του προαναφερθέντος μοντέλου γίνεται σύμφωνα με τις ακόλουθες οδηγίες και πρότυπα.
- P** A presente assinatura serve para declarar que os modelos supramencionados são produtos em conformidade com as seguintes directivas e normas.
- LT** Toliau pateiktu dokumentu patvirtinama, kad minėtas modelis yra pagamintas laikantis nurodytų direktyvų bei standartų.
- PL** Niżej podpisany zaświadcza, że wymieniony powyżej model produkowany jest zgodnie z następującymi dyrektywami i normami.
- H** Alulirottak igazoljuk, hogy a fent említett modellt a következő irányelvek és szabványok alapján hoztuk létre.
- SK** Dolu podpisaný osvedčuje, že hore uvedený model sa vyrába v súlade s nasledujúcimi smernicami a normami.

EC Low Voltage Directive 06/95/EEC
EC EMC Directive 2004/108/EEC
EC Machinery Directive 06/42/EC

EN 60335-1, EN 60335-2-72
EN 61000, EN 50366
EN 12100-1, EN 12100-2, EN 294, EN 349



6.5.2010

Don Legatt, Engineering Director
Nilfisk-Advance, Inc.
14600 21st Avenue North
Plymouth, MN 55447 USA

Nilfisk-Advance A/S
Sognevej 25
DK-2605 Brøndby, Denmark

Nilfisk-Advance A/S
Sognevej 25 • DK-2605 Brøndby • Denmark
Tel: +45 43 23 81 00 • Fax: +45 43 43 77 00
www.nilfisk-advance.com



Free Manuals Download Website

<http://myh66.com>

<http://usermanuals.us>

<http://www.somanuals.com>

<http://www.4manuals.cc>

<http://www.manual-lib.com>

<http://www.404manual.com>

<http://www.luxmanual.com>

<http://aubethermostatmanual.com>

Golf course search by state

<http://golfingnear.com>

Email search by domain

<http://emailbydomain.com>

Auto manuals search

<http://auto.somanuals.com>

TV manuals search

<http://tv.somanuals.com>