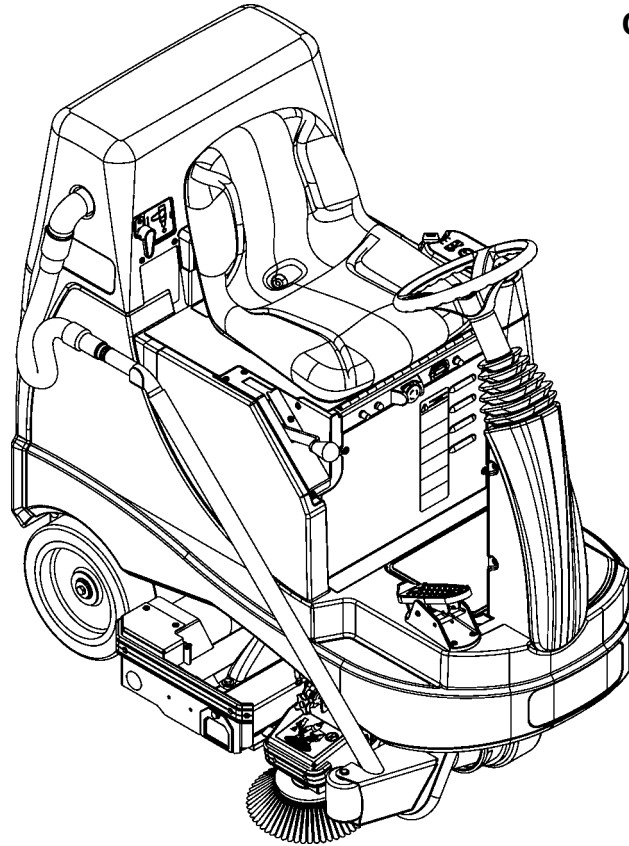


BRV 900



Instructions For Use
Original Instructions
Kullanım Talimatları
Orijinal Talimatlar



CE

11/09
FORM NO. 56041806

Nilfisk Model: 56602002

A-English
B-Türkçe

Printed in USA

Download from [Www.Somanuals.com](http://www.Somanuals.com). All Manuals Search And Download.

 **Nilfisk**
setting standards

A-2 / ENGLISH

TABLE OF CONTENTS

	Page
Introduction.....	A-2
Cautions and Warnings	A-3
Know Your Machine.....	A-4 – A-5
Control Panel.....	A-6
Prepare the Machine for Use	
Install the Batteries	A-7
Install the Brushes.....	A-8
Install the Filter Bag.....	A-9
Operating the Machine	
Vacuuming.....	A-10
Using the Wand.....	A-10
After Use.....	A-12
Maintenance Schedule	A-12
Lubricating the Machine	A-12
HEPA Filter Maintenance.....	A-12
Charging the Batteries (Wet).....	A-13
Check the Battery Water Level.....	A-13
Charging the Batteries (Gel).....	A-13
Side Broom Maintenance	A-14
Troubleshooting.....	A-15
Technical Specifications	A-15

INTRODUCTION

This manual will help you get the most from your Nilfisk BRV 900 (rider vacuum). Read it thoroughly before operating the machine.

Note: Bold numbers in parentheses indicate an item illustrated on pages A-4 – A-6.

This product is intended for commercial use only.

PARTS AND SERVICE

Repairs, when required, should be performed by your Authorized Nilfisk Service Center, who employs factory trained service personnel, and maintains an inventory of Nilfisk original replacement parts and accessories.

Call the NILFISK DEALER named below for repair parts or service. Please specify the Model and Serial Number when discussing your machine.

(Dealer, affix service sticker here.)

NAME PLATE

The Model Number and Serial Number of your machine are shown on the Nameplate on the machine. This information is needed when ordering repair parts for the machine. Use the space below to note the Model Number and Serial Number of your machine for future reference.

MODEL NUMBER _____

SERIAL NUMBER _____

UNCRATE THE MACHINE

When the machine is delivered, carefully inspect the shipping packaging and the machine for damage. If damage is evident, save the shipping carton (if applicable) so that it can be inspected. Contact the Nilfisk Customer Service Department immediately to file a freight damage claim. Refer to the unpacking instruction sheet included with the machine to remove the machine from the pallet.

CAUTIONS AND WARNINGS

SYMBOLS

Nilfisk uses the symbols below to signal potentially dangerous conditions. Always read this information carefully and take the necessary steps to protect personnel and property.

DANGER!

Is used to warn of immediate hazards that will cause severe personal injury or death.

WARNING!

Is used to call attention to a situation that could cause severe personal injury.

CAUTION!

Is used to call attention to a situation that could cause minor personal injury or damage to the machine or other property.

  Read all instructions before using.

GENERAL SAFETY INSTRUCTIONS

Specific Cautions and Warnings are included to warn you of potential danger of machine damage or bodily harm.

WARNING!

- This machine shall be used only by properly trained and authorized persons.
- While on ramps or inclines, avoid sudden stops when loaded. Avoid abrupt sharp turns. Use low speed down hills. Clean only while ascending (driving up) the ramp.
- Keep sparks, flame and smoking materials away from batteries. Explosive gases are vented during normal operation.
- Charging the batteries produces highly explosive hydrogen gas. Charge batteries only in well-ventilated areas, away from open flame. Do not smoke while charging the batteries.
- Remove all jewelry when working near electrical components.
- Turn the key switch off (O) and disconnect the batteries before servicing electrical components.
- Never work under a machine without safety blocks or stands to support the machine.
- Do not dispense flammable cleaning agents, operate the machine on or near these agents, or operate in areas where flammable liquids exist.
- Do not clean this machine with a pressure washer.
- Only use the brushes provided with the appliance or those specified in the instruction manual. The use of other brushes may impair safety.

CAUTION!

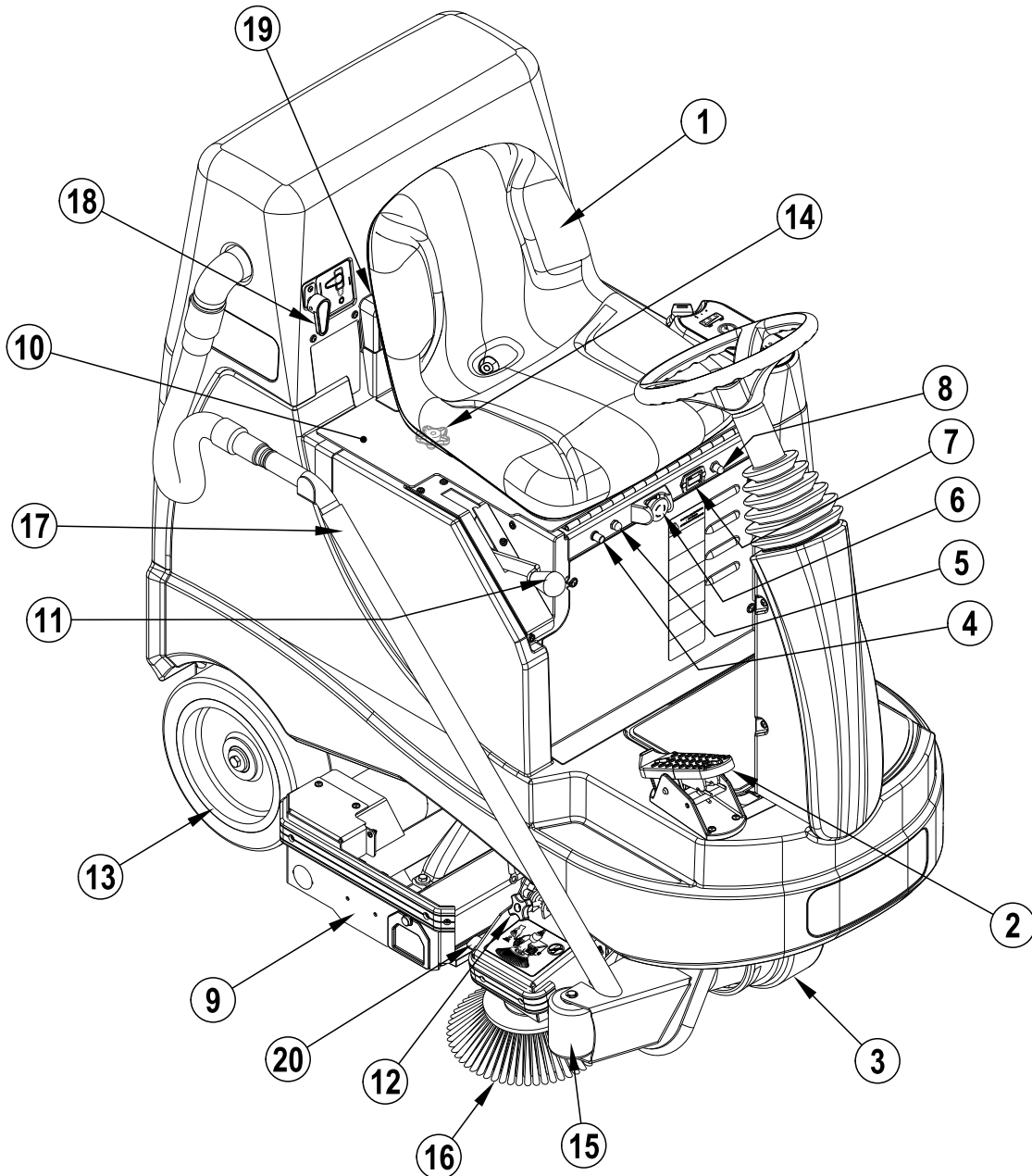
- This machine is not approved for use on public paths or roads.
- This machine is not suitable for picking up hazardous dust.
- When operating this machine, ensure that third parties, particularly children, are not endangered.
- Before performing any service function, carefully read all instructions pertaining to that function.
- Do not leave the machine unattended without first turning the key switch off (O) and removing the key.
- Turn the key switch off (O) and remove the key, before changing the brushes, and before opening any access panels.
- Take precautions to prevent hair, jewelry, or loose clothing from becoming caught in moving parts.
- The batteries must be removed from the machine before the machine is scrapped. The disposal of the batteries should be safely done in accordance with your local environmental regulations.
- Do not use on surfaces having a gradient exceeding that marked on the machine.
- All doors and covers are to be positioned as indicated in the instruction manual before using the machine.
- This machine is for indoor use only.
- This machine shall be stored indoors only.

SAVE THESE INSTRUCTIONS

KNOW YOUR MACHINE

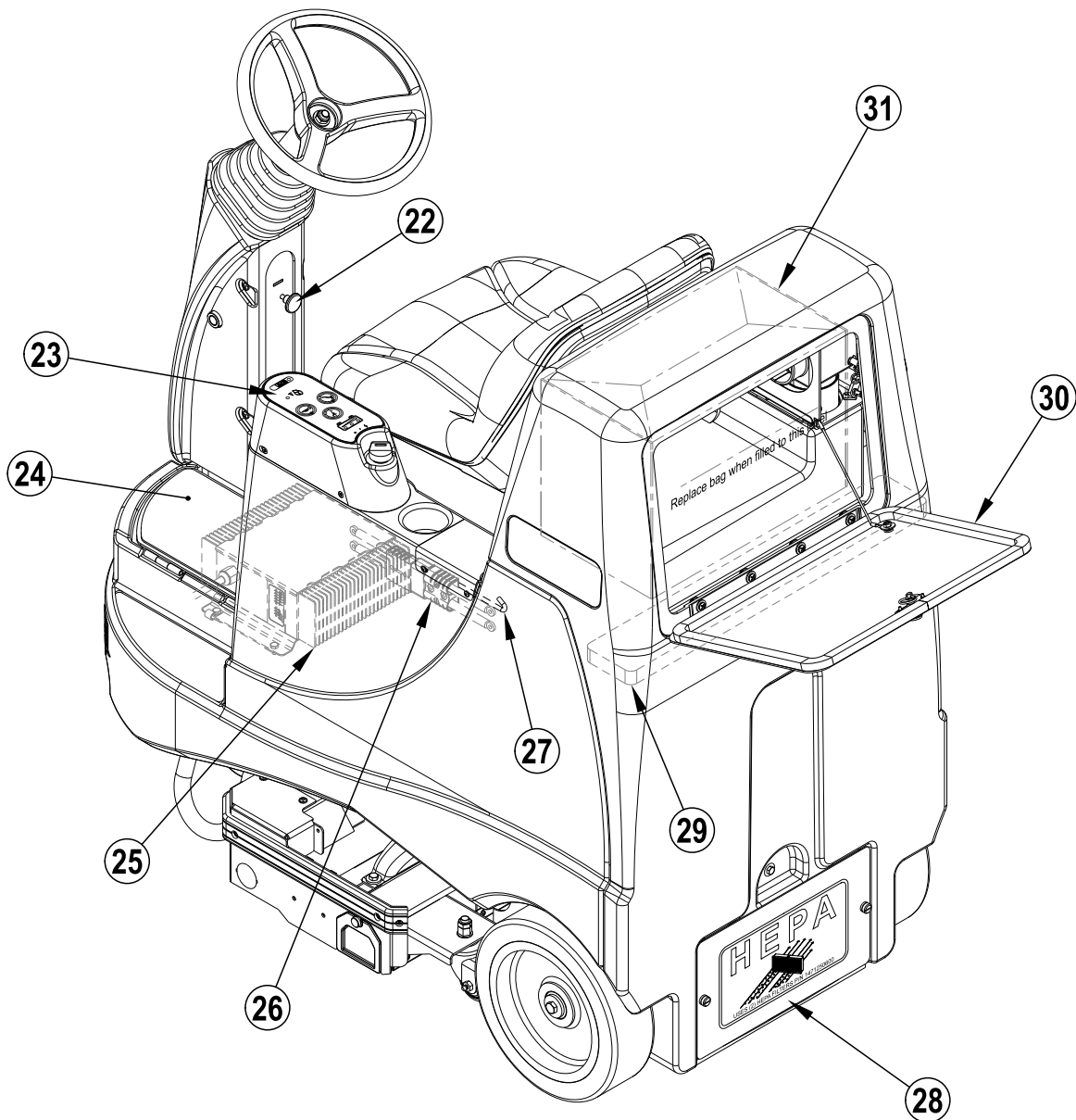
As you read this manual, you will occasionally run across a bold number or letter in parentheses - example: **(2)**. These numbers refer to an item shown on these pages unless otherwise noted. Refer back to these pages whenever necessary to pinpoint the location of an item mentioned in the text. **NOTE:** Refer to the service manual for detailed explanations of each item illustrated on the next 3 pages.

- | | | | |
|----|--|----|-----------------------------------|
| 1 | Operator's Seat | 11 | Vacuum Deck Raise/Lower Lever |
| 2 | Drive Pedal, Directional/Speed | 12 | Side Broom Height Adjustment Knob |
| 3 | Drive Wheel | 13 | Rear Wheel |
| 4 | Drive Wheel Circuit Breaker (70 Amp) | 14 | Seat Adjustment Knob |
| 5 | Control Circuit Circuit Breaker (10 Amp) | 15 | Front Roller Bumper |
| 6 | Emergency Stop | 16 | Right Side Broom Assembly |
| 7 | Hourmeter (optional) | 17 | Wand |
| 8 | Side Broom Circuit Breaker (5 Amp) | 18 | Wand Control Lever |
| 9 | Vacuum Deck | 19 | Spare Bag Tray (behind seat) |
| 10 | Battery Compartment (under seat) | 20 | Side Broom Release Latch |



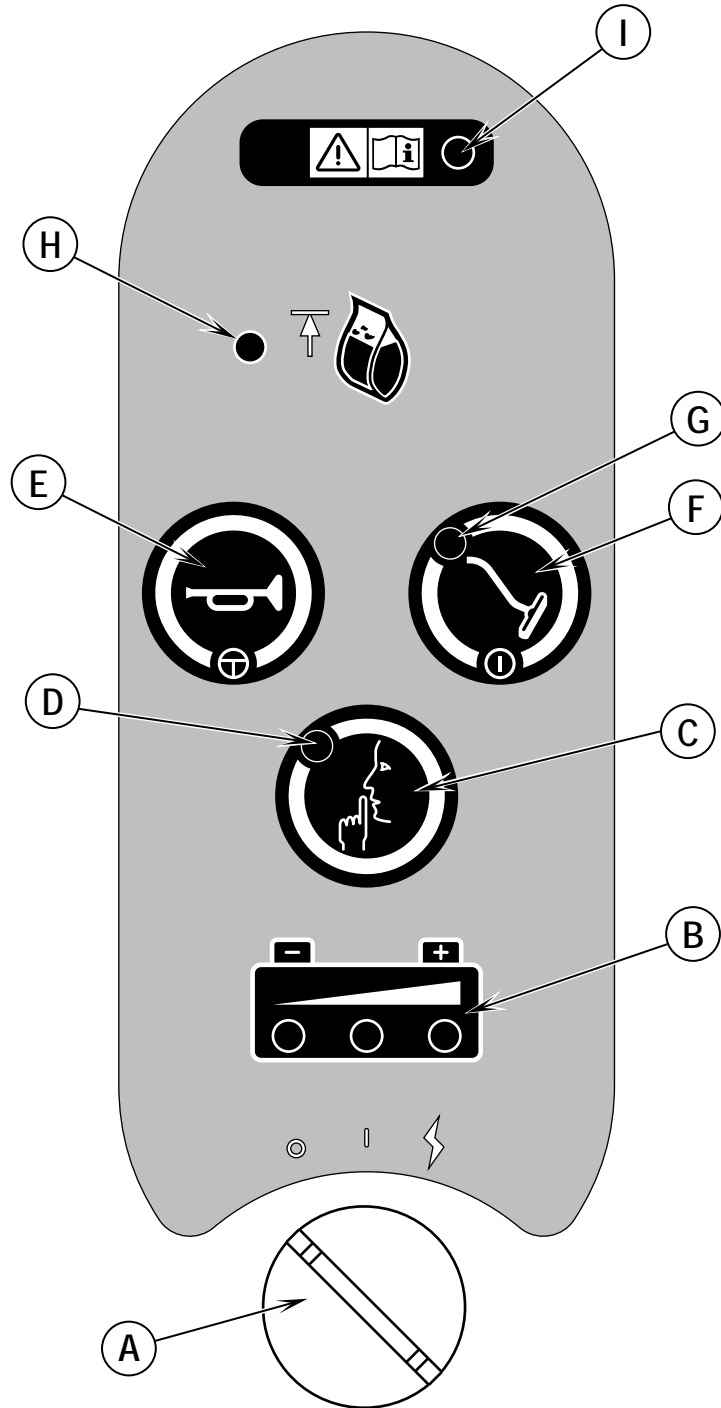
KNOW YOUR MACHINE

- 22 Steering Wheel Tilt Adjust Knob
- 23 Control Panel
- 24 Battery Charger Access Door
- 25 Battery Charger (optional)
- 26 Machine Battery Connector
- 27 Seat Prop-Rod
- 28 HEPA Filter Access Door
- 29 Vacuum Motor Foam Filter
- 30 Filter Bag Access Door
- 31 Filter Bag



CONTROL PANEL

- A Key Switch
- B Battery Indicator
- C Quiet Mode Button
- D Quiet Mode Indicator
- E Horn
- F Wand Button
- G Wand Button Indicator
- H Bag Full Indicator
- I Fault Indicator



BATTERIES

If your machine shipped with batteries installed do the following:

- Check that the batteries are connected to the machine (26).
- Turn ON the Key Switch (A) and check the Battery Indicator (B). If the green light is ON, the batteries are ready for use. If the green light is OFF, the batteries should be charged before use. See the "Charging The Batteries" section.
- **IMPORTANT!: IF YOUR MACHINE HAS AN ONBOARD BATTERY CHARGER REFER TO THE OEM PRODUCT MANUAL FOR INSTRUCTIONS REGARDING SETTING THE CHARGER FOR BATTERY TYPE.**

See TSBUS2008-984 for the latest battery charger algorithms.

If your machine shipped without batteries installed do the following:

- Consult your Authorized Nilfisk dealer for recommended batteries.
- Install the batteries by following the instructions below.
- **DO NOT install two 12 volt batteries in your machine. This affects the stability of the machine.**
- **IMPORTANT!: IF YOUR MACHINE HAS AN ONBOARD BATTERY CHARGER REFER TO THE OEM PRODUCT MANUAL FOR INSTRUCTIONS REGARDING SETTING THE CHARGER FOR BATTERY TYPE.**

See TSBUS2008-984 for the latest battery charger algorithms.

INSTALL THE BATTERIES



WARNING !

Use extreme caution when working with batteries. Sulfuric acid in batteries can cause severe injury if allowed to contact the skin or eyes. Explosive hydrogen gas is vented from inside the batteries through openings in the battery caps. This gas can be ignited by any electrical arc, spark or flame.

When Servicing Batteries...

- Remove all jewelry.
- Do not smoke.
- Wear safety glasses, a rubber apron and rubber gloves.
- Work in a well-ventilated area.
- Do not allow tools to touch more than one battery terminal at a time.
- ALWAYS disconnect the negative (ground) cable first when replacing batteries to prevent sparks.
- ALWAYS connect the negative cable last when installing batteries.



CAUTION !

Electrical components in this machine can be severely damaged if the batteries are not installed and connected properly. Batteries should be installed by Nilfisk or by a qualified electrician.

- 1 Turn the Key Switch (A) off (O) and remove the key. Then swing open the Battery Compartment Cover (10) and set the Prop-Rod (27).
- 2 Using (2) people and an appropriate lifting strap, carefully lift the batteries into the compartment tray exactly as shown. Refer to decal 56601589 battery cable layout.
- 3 **See Figure 1.** Install battery cables as shown and tighten the nuts on the battery terminals.
- 4 Install the battery boots and secure tightly to the battery cables with the supplied tie straps.
- 5 Connect the battery pack connector to the machine connector (26) and close the battery compartment cover.

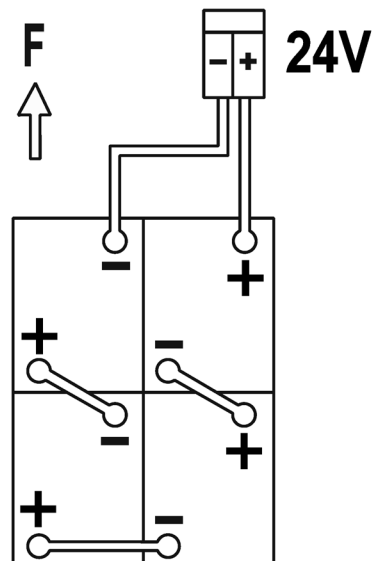


CAUTION !

Before changing batteries consult TSBUS2008-984 or visit <http://www.nilfisk-advance.com>

FIGURE 1

420A/H - 20HR - RATE



CAUTION: Before changing batteries consult TSBUS2008-984 or visit <http://www.nilfisk-advance.com>

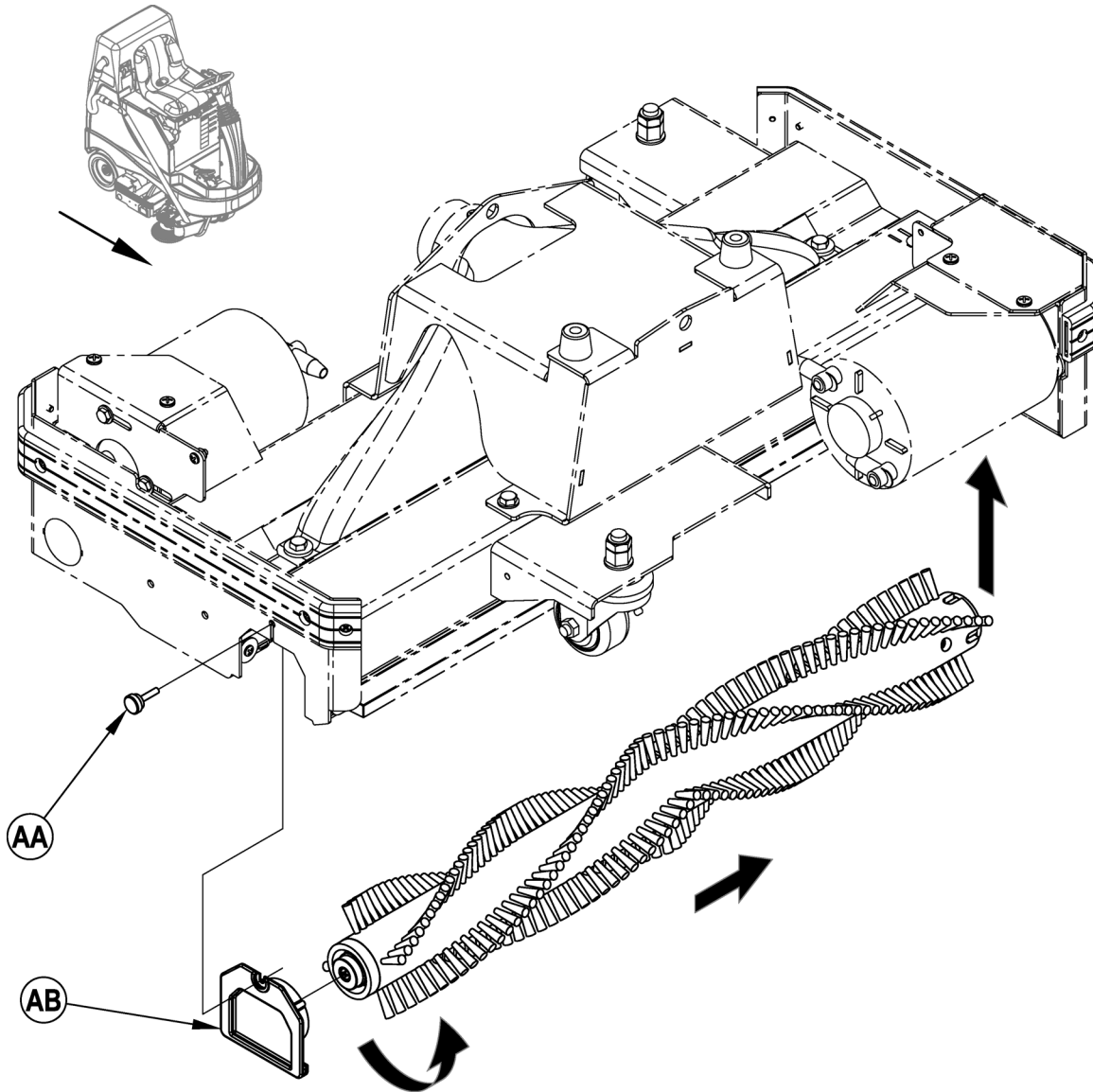
INSTALL THE BRUSHES

CAUTION !

Turn the key switch off (O) and remove the key, before changing the brushes, and before opening any access panels.

- 1 Make sure the Vacuum Deck is in the RAISED position. Make sure the Key Switch (A) is off (O).
- 2 **See Figure 2.** Loosen both Thumb Screws (AA) slide the Idler Assembly (AB) down and off of the vacuum deck and away from the brush.
- 4 Slide the brush into the housing, lift slightly, push and turn until it seats. Re-install the Idler Assemblies (AB) and Thumb Screws (AA).

FIGURE 2



OPERATING THE MACHINE



WARNING!

Be sure you understand the operator controls and their functions.

While on ramps or inclines, avoid sudden stops when loaded. Avoid abrupt sharp turns. Use low speed down hills. Clean only while ascending (driving up) the ramp.

To Vacuum...

Follow the instructions in "preparing the machine for use" section of this manual.

- 1 See **Figure 4**. While seated on the machine, adjust the steering wheel to a comfortable position using the Steering Wheel Tilt Adjust Knob **(22)**. The seat can be adjusted if necessary by tipping up the seat and using the adjustment knob **(14)**.
- 2 Turn the Master Key Switch **(A)** ON (I). This will display the control panel indicator lights. Reference the Battery Indicator **(M)** before proceeding.
- 3 To transport the machine to the work area, apply even pressure with your foot on the front of the Drive Pedal **(2)** to go forward or the rear of the pedal for reverse. Vary the pressure on the foot pedal to obtain the desired speed.
- 4 Be certain that the carpet to be vacuumed is completely dry.



CAUTION!

Never attempt to pick-up water or vacuum wet carpet. This machine is designed for dry pick-up only.

- 5 Lower the side broom to the operating position. This is done by pressing down on the Side Broom Release Latch **(20)** while lifting up on the outer edge of the side broom assembly (see the decal on top of the side broom) then set the side broom down. Once in the operating position the side broom will move up and down with the vacuum deck. If it is not desired to use the side broom it can remain up, in the storage position.
- 6 Lower the vacuum deck and side broom using the Vacuum Deck Raise/Lower Lever **(11)**. This will turn on the vacuum motors and activate scrub and side broom systems. Scrub and side broom systems will start when the Drive Pedal **(2)** is activated in forward.
- 7 Begin vacuuming by driving the machine forward in a straight line at a normal walking speed and overlap each path by 2-3 inches (50-75 mm). Adjust the machine speed when necessary according to the condition of the floor.
- 8 The machine has two vacuum motors which can both run for maximum pick up ability. Press the Quiet Mode Button **(C)** to turn off one of the vacuum motors and reduce the noise level of the machine. This will cause the Indicator **(D)** to turn ON. Press the button again to turn the second vacuum motor back on. The machine will default to the last setting (one or two vacuum motors) upon start up.
- 9 When vacuuming, check behind the machine occasionally to see that all of the debris is being picked up. Occasionally check the level of debris in the filter bag and empty/replace once it has reached the level indicated on the side of the bag.
- 10 When the Bag Full Indicator **(H)** turns ON, the vacuum motor(s) will continue to run, but the machine will not pick up debris if the filter bag is full.
- 11 When the operator wants to stop vacuuming or the Bag Full Indicator **(H)** turns ON;
Use the Vacuum Deck Raise/Lower Lever **(11)** to manually raise the scrub deck and side broom, this will stop the scrub brushes, side broom and the vacuum motors.
- 12 Drive the machine to a designated waste "DISPOSAL SITE" and remove the filter bag. Dispose of a paper bag filter or empty a cloth filter bag (depending on type being used). Install a new/empty filter bag and continue vacuuming.

NOTE: Make sure the Filter Bag Access Door **(30)** and the HEPA Filter Access Door **(28)** are properly seated or the machine will lose vacuum power and not pick-up debris correctly.

When the batteries require recharging the Battery Indicator **(B)** will flash red. Then the brush and vacuum motors will turn OFF automatically and cease to function, manually raise the vacuum deck. Transport the machine to a service area and recharge the batteries according to the instructions in the Battery section of this manual.

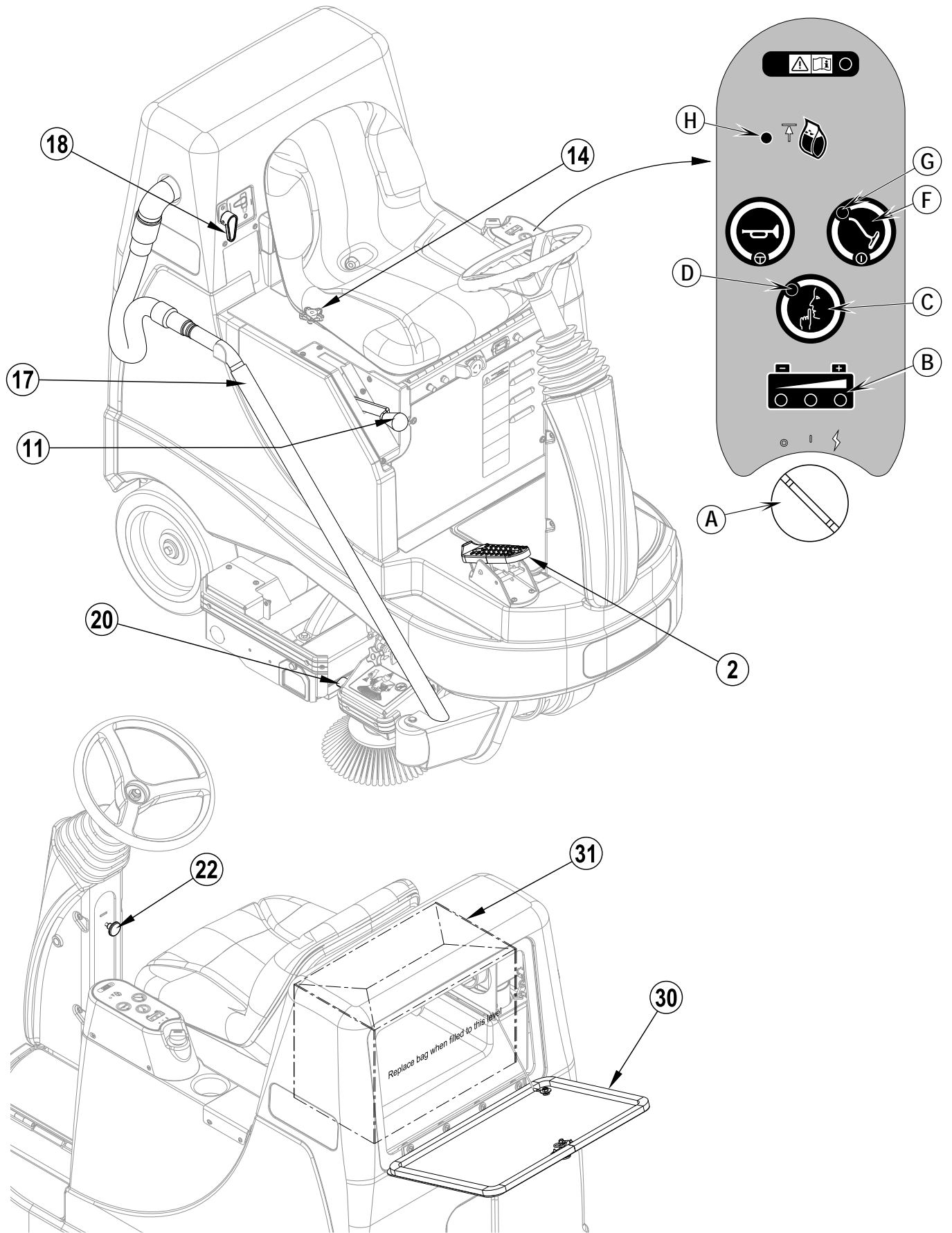
USING THE WAND

The machine's built in Wand makes it easy to clean high surfaces or reach into tight corners. The wand can be used with the operator on or off the machine, and the vacuum deck in the up or down position.

- 1 Remove the Wand **(17)** from its holder.
- 2 Turn the Wand Control Lever **(18)** (clockwise) to the wand position.
- 3 Turn the Master Key Switch **(A)** ON and press the Wand Button **(F)** to turn on the vacuum motors. The vacuum motors will run continuously until the button is pressed again to turn them OFF.
- 4 **NOTE:** If seated on the machine and the deck is in the down position, the vacuum motors will run continuously, regardless of pressing Wand Button **(F)**.

SERVICE NOTE: Refer to the service manual for detailed functional descriptions of all controls and optional programmability.

FIGURE 4



A-12 / ENGLISH

AFTER USE

- 1 When finished vacuuming, manually raise the vacuum deck to turn off all systems. Then drive the machine to a service area for daily maintenance and review of other needed service up keep.
- 2 Remove the brushes then rinse them with warm water and remove any built up string, hair or carpet fibers. Hang the brushes up to dry.
- 3 Check the maintenance schedule below and perform any required maintenance before storage.

MAINTENANCE SCHEDULE

Keep the machine in top condition by following the maintenance schedule closely. **Maintenance intervals given are for average operating conditions. Machines used in severe environments may require service more often.**

MAINTENANCE ITEM	Daily	Weekly	Monthly	Yearly
Charge Batteries	X			
Check/Empty/Replace the Filter Bag	X			
Check/Clean the HEPA Filters	X			
Check/Clean the Brushes	X			
Check/Clean the vacuum motor foam filter(s)	X			
Check Each Battery Cell(s) Water Level		X		
Lubrication of Machine			X	
* Check Carbon Brushes				X

* Have Nilfisk check the vacuum motor carbon motor brushes once a year or after 300 operating hours. The brush and drive motor carbon brushes check every 500 hours or once a year.

NOTE: Refer to the Service Manual for more detail on maintenance and service repairs.

- 4 Store the machine indoors in a clean dry place. Keep from freezing.
- 5 Turn the Master Key Switch (A) OFF (O) and remove the key.

SERVICING THE VACUUM MOTORS

Have your Nilfisk-Advance Dealer check the carbon motors brushes once a year or after 300 operating hours.

IMPORTANT!

Motor damage resulting from failure to service the carbon brushes is not covered under warranty. See the Limited Warranty Statement.

LUBRICATING THE MACHINE

Once a month, pump a small amount of grease into each grease fitting on the machine until grease seeps out around the bearings. Wipe off any excess grease to avoid staining carpet.

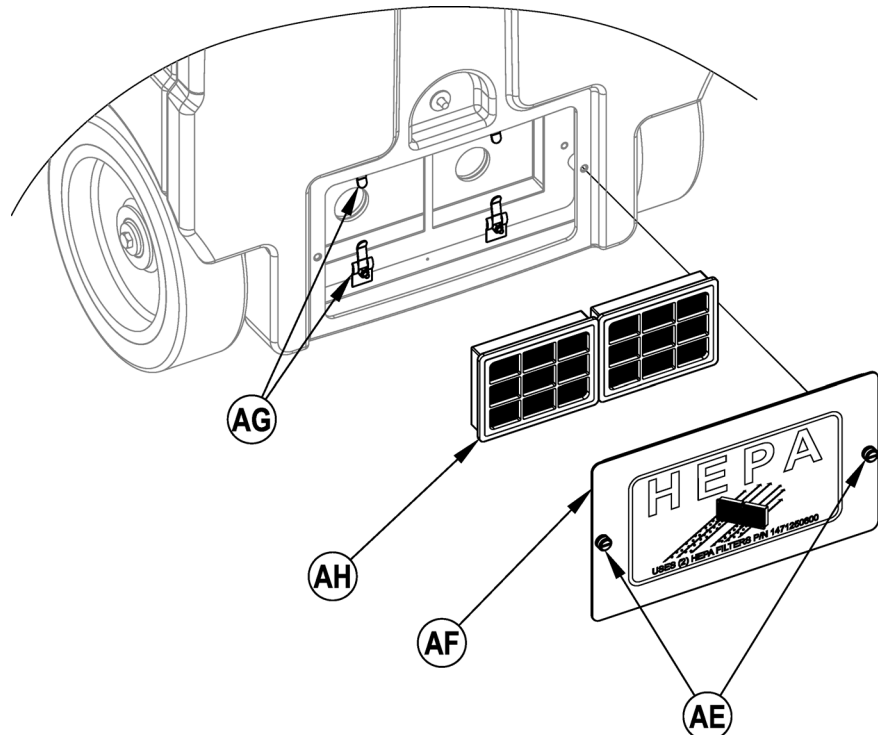
Grease fitting locations (or apply grease to) (AA):

- Vacuum Deck Caster Wheels

FIGURE 5

Once a month lubricate the pivot points below. For best results, use a spray silicone lubricant.

- Steering Chain
- General Pivot Points for the Side Broom and Vacuum Deck Linkage.
- Steering Wheel Shaft Universal joint
- Side Broom Front Roller Bumper



HEPA FILTER MAINTENANCE

The HEPA filters may be cleaned when they become dirty. If cleaning is not sufficient to increase airflow then they will need to be replaced.

- 1 **See Figure 5.** Loosen the two Screws (AE) then remove the Filter Panel (AF) from the back of the machine.
- 2 Flip open the Clamps (AG) and pull out the HEPA Filters (AH).
- 3 Use compressed air from the back side to blow out debris. Do not allow these filters to get wet.

CHARGING WET BATTERIES

Charge the batteries each time the machine is used or when the Battery Condition Indicator (B) is flashing RED.



WARNING!

Do not fill the batteries before charging.

Charge batteries in a well-ventilated area.

Do not smoke while servicing the batteries.

When Servicing Batteries...

- Remove all jewelry
- Do not smoke
- Wear safety glasses, rubber gloves and a rubber apron
- Work in a well-ventilated area
- Do not allow tools to touch more than one battery terminal at a time
- ALWAYS disconnect the negative (ground) cable first when replacing batteries to prevent sparks.
- ALWAYS connect the negative cable last when installing batteries.

If your machine shipped **with** an onboard battery charger do the following:

Turn the Key Switch (A) OFF. Open the Battery Compartment (10) and the Battery Charger Access Door (24) for proper ventilation. Unwind the electrical cord from the side of the onboard charger and plug it into a properly grounded outlet. Refer to the OEM product manual for more detailed operating instructions.

If your machine shipped **without** an onboard battery charger do the following:

Open the Battery Compartment (10) and set the Prop-Rod (27). Disconnect the batteries from the machine and push the connector from the charger into the Battery Pack Connector (26). Follow the instructions on the battery charger. **SERVICE NOTE:** Make sure you plug the battery charger into the connector that attaches to the batteries.



CAUTION!

To avoid damage to floor surfaces, wipe water and acid from the top of the batteries after charging.

CHECKING THE BATTERY WATER LEVEL

Check the water level of the batteries at least once a week.

After charging the batteries, remove the vent caps and check the water level in each battery cell. Use distilled or demineralized water in a battery filling dispenser (available at most auto parts stores) to fill each cell to the level indicator (or to 10 mm over the top of the separators). DO NOT over-fill the batteries!



CAUTION!

Acid can spill onto the floor if the batteries are overfilled.

Tighten the vent caps. Wash the tops of the batteries with a solution of baking soda and water (2 tablespoons of baking soda to 1 liter of water).

CHARGING GEL (VRLA) BATTERIES

Charge the batteries each time the machine is used or when the Battery Condition Indicator (B) is flashing RED.



WARNING!

Charge batteries in a well-ventilated area.

Do not smoke while servicing the batteries.

When Servicing Batteries...

- Remove all jewelry
- Do not smoke
- Wear safety glasses, rubber gloves and a rubber apron
- Work in a well-ventilated area
- Do not allow tools to touch more than one battery terminal at a time
- ALWAYS disconnect the negative (ground) cable first when replacing batteries to prevent sparks.
- ALWAYS connect the negative cable last when installing batteries.



CAUTION!

Your voltage regulated lead acid (VRLA) battery will deliver superior performance and life ONLY IF IT IS RECHARGED PROPERLY!

Under or overcharging will shorten battery life and limit performance. Be sure to FOLLOW PROPER CHARGING INSTRUCTIONS!

DO NOT ATTEMPT TO OPEN THIS BATTERY! If a VRLA battery is opened, it loses its pressure and the plates become oxygen contaminated. THE WARRANTY WILL BE VOIDED IF THE BATTERY IS OPENED.

If your machine shipped **with** an onboard battery charger do the following:

Turn the Key Switch (A) OFF. Open the Battery Compartment (10) and the Battery Charger Access Door (24) for proper ventilation. Unwind the electrical cord from the side of the onboard charger and plug it into a properly grounded outlet. Refer to the OEM product manual for more detailed operating instructions.

If your machine shipped **without** an onboard battery charger do the following:

Open the Battery Compartment (10) and set the Prop-Rod (27). Disconnect the batteries from the machine and push the connector from the charger into the Battery Pack Connector (26). Follow the instructions on the battery charger. **SERVICE NOTE:** Make sure you plug the battery charger into the connector that attaches to the batteries.

IMPORTANT: Make sure you have an appropriate charger for use on Gel cell batteries. Use only "voltage-regulated" or "voltage-limited" chargers.

Standard constant current or taper current chargers MUST NOT be used. A temperature-sensing charger is recommended, as manual adjustments are never accurate and will damage any VRLA battery.

SIDE BROOM MAINTENANCE

The side broom moves dirt and debris away from walls or curbs and into the path of the main brushes. Adjust the side broom so that the bristles are contacting the floor from the 10 O'clock (AA) to the 3 O'clock (BB) area shown in **Figure 6** when the broom is down and running.

To adjust the Side Broom...

1 The side broom is adjusted simply by turning the Side Broom Height Adjustment Knob (12), clockwise to raise and counterclockwise to lower the side broom.

NOTE: The machine should be stored with the Side Broom in the raised position. The Side Broom should be replaced when the bristles are too worn or they become ineffective.

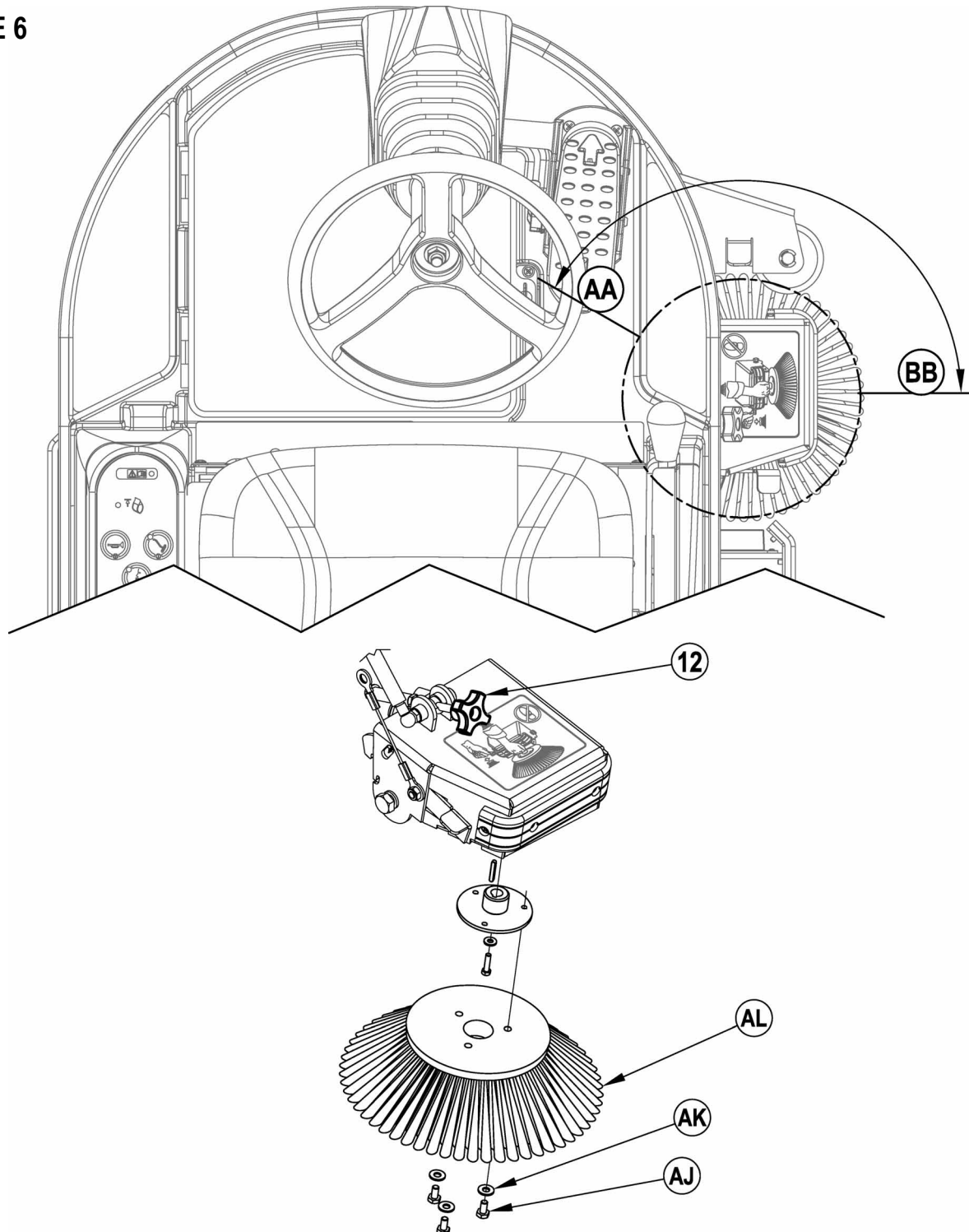
To replace the Side Broom...

1 Raise the Side Broom.

2 Remove the three hex Screws (AJ) and Washers (AK) holding the Side Broom (AL) on to the hub and remove the broom.

3 Install the new broom by using the same hardware.

FIGURE 6



GENERAL MACHINE TROUBLESHOOTING

Problem	Possible Cause	Remedy
Poor vacuuming performance	Wand Control Lever set to Wand instead of brushes	Rotate the wand control lever to brushes
	Brushes are worn or have taken a set	Replace brushes
	Moving machine too fast	Slow down
Side broom does not operate	Side broom is in the raised storage position	Lower the side broom into the operating position
	Tripped 5 Amp circuit breaker	Check for and remove the cause of the side broom motor overload (binding etc.). Reset the circuit breaker.
Machine does not run	Battery connector disconnected	Reconnect battery connectors
	Operator seat safety switch	Check for open circuit and replace
	Main system controller	Check error fault codes (see service manual)
	Tripped 10 Amp circuit breaker	Check for electrical short circuit & reset
No FWD/REV wheel drive	Drive system speed controller	Check error fault codes (see service manual)
	Tripped 70 Amp circuit breaker	Check for drive motor overload
	Emergency stop switch tripped	Reset the Emergency Stop Switch
Filter bag full indicator is lit when filter bag is not full	Blocked HEPA filters	Clean filters or replace if necessary
	Blocked wand tool or hose	Clear the hose

TECHNICAL SPECIFICATIONS (as installed and tested on the unit)

Model		BRV 900
Model No.		56602002
Voltage, Batteries	V	24V
Battery Capacity	Ah	305/415
Protection Grade		Do not spray
Sound Pressure level – LpA (IEC 60335-2-72, ISO 11201)	dB(A)	67.0 64.0 (quiet mode)
Sound Pressure level - KpA (IEC 60335-2-72, ISO 11201) Uncertainty	dB(A)	3.0
Gross Weight	lbs / kg	1,026/465.4
Maximum Wheel Floor Loading (center front)	psi / kg/cm ²	158 / 11.1
Maximum Wheel Floor Loading (right rear)	psi / kg/cm ²	115 / 8.1
Maximum Wheel Floor Loading (left rear)	psi / kg/cm ²	85 / 6.0
Vibrations at the Hand Controls (ISO 5349-1)	m/s ²	.25
Vibrations at the Hand Controls (ISO 5349-1) Uncertainty	m/s ²	.05
Vibrations at the Seat (EN 1032/ISO 2631-1)	m/s ²	.01
Vibrations at the Seat (EN 1032/ISO 2631-1) Uncertainty	m/s ²	.002
Gradeability Transport		16% (9°)
Gradeability Cleaning		9% (5°)

B-2 / TÜRKÇE

İÇİNDEKİLER

	Sayfa
Giriş	B-2
Önlemler ve Uyarılar.....	B-3
Makinenizi Tanıyın.....	B-4 – B-5
Kontrol Paneli.....	B-6
Makinenin Kullanıma Hazırlanması	
Bataryaların Takılması.....	B-7
Fırçaların Takılması.....	B-8
Filtre Torbasının Takılması.....	B-9
Makinenin Çalıştırılması	
Vakum.....	B-10
Sopanın Kullanılması.....	B-10
Kullanım Sonrası	B-12
Bakım Takvimi	B-12
Makinenin Yağlanması	B-12
HEPA Filtresinin Bakımı.....	B-12
Bataryaların (Islak) Şarj Edilmesi	B-13
Batarya Su Seviyesinin Kontrol Edilmesi.....	B-13
Bataryaların(Jel) Şarj Edilmesi	B-13
Yan Süpürge'nin Bakımı.....	B-14
Sorun giderme.....	B-15
Teknik Özellikler.....	B-15

GİRİŞ

Bu kılavuz, Nilfisk BRV 900 (temizlik arabasından) en iyi verimi almanızda yardımcı olacaktır. Makineyi çalıştırmadan önce kılavuzu baştan sona okuyun.

Not: Parantez içinde verilen koyu numaralar, B-4 – B-6 arası sayfalarda gösterilen bir parçayı belirtmektedir.

Bu ürün sadece ticari amaçlarla kullanıma yöneliktir.

PARÇALAR VE SERVİS

Gerekli onarımlar, fabrikada eğitilmiş personeli olan ve Nilfisk orijinal yedek parça ve aksesuarlarını kullanan bir Nilfisk Yetkili Servis Merkezinde yapılmalıdır.

Yedek parça veya servis için Nilfisk i arayınız. Makinenizle ilgili başvurunuzda Model ve Seri Numarasını belirtin.

(Distribütör buraya çıkartmasını yapıştırarak)

KÜNYE

Makinenizin Model ve Seri Numarası akü bölmesinde bulunan Künyede yazılıdır. Bu bilgi makine için sipariş verirken gereklidir. Aşağıdaki bölüme makinenizin Model ve Seri Numarasını ileride gerekli olduğunda bakmak için yazın.

Model _____

Seri Numarası _____

AMBALAJIN ÇIKARILMASI

Makineyi teslim aldığınızda, nakliye sırasında herhangi bir hasar meydana gelip gelmediğini anlamak için makineyi ve ambalajı kontrol edin. Eğer hasar meydana geldiği açık bir şekilde belliyse, daha sonra incelenmesi için (mümkünse) ambalajı muhafaza edin. Hasarın tazmin edilmesine ilişkin bir talep formu doldurmak için hemen Nilfisk Müşteri Hizmetleri Bölümünü arayın. Makineyi paletten indirmek için makineyle birlikte verilen ambalajın çıkarılması talimatlarına bakın.

UYARI VE ÖNLEM SEMBOLLERİ

Nilfisk potansiyel tehlikelerin ikazı olarak aşağıdaki sembolleri kullanır. Bu bilgileri dikkatlice okuyup insanların ve eşyaların koruması için gerekli önlemleri alın.

TEHLİKE!

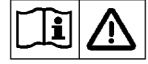
Ciddi yaralanma ve ölüm tehlikesini belirtir.

UYARI!

Ciddi yaralanma ve ölüm tehlikesine yol açabilecek durumları belirtir.

DİKKAT!

İnsanların, makine veya diğer eşyaların maruz kalabileceği hafif yaralanma ya da hasar oluşturabilecek durumları belirtir.



Kullanmadan önce bütün talimatları dikkatlice okuyunuz.

GENEL GÜVENLİK TALİMATLARI

İnsanlara ve makinelere yönelik potansiyel zararlarla ilgili özel uyarılar ve dikkat edilmesi gereken hususlar aşağıda belirtilmektedir.

UYARI!

- Bu makine sadece kalifiye ve yetkili personel tarafından kullanılmalıdır.
- Yokuş çıkış veya inişlerde, yüklü iken ani duruşlardan kaçının. Ani keskin dönüşler yapmaktan kaçının. Yokuş aşağı inişleri düşük hızlarda yapın. Yalnızca yokuş yukarı çıkarken temizlik yapın.
- Kıvılcım, çıplak alev ve duman çıkaran maddeleri akülerden uza tutunuz. Normal kullanım esnasında patlayıcı gazlar salınır. Akülerin şarj edilmesi oldukça patlayıcı olan hidrojen gazı çıkmasına neden olur. Aküleri, yalnızca iyi havalandırılan, çıplak alevden uzak yerlerde şarj edin. Aküleri şarj ederken sigara içmeyin.
- Elektrik aksamına yakın bölgelerde çalışırken tüm mücevher takılarınızı çıkarın.
- Elektrikli aksama bakım yaparken anahtarı kapalı (0) konumuna getirin ve akü bağlantılarını sökün.
- Makinenin üstünde duracağı payanda veya takoz olmadan makinenin altında asla çalışmayın.
- Yanıcı temizlik maddeleri kullanmayın, makineyi bu gibi maddelerin yanında veya yanıcı sıvıların bulunduğu alanlarda çalıştırmayın.
- Bu makineyi basınçlı yıkama cihazları ile yıkamayın.
- Bu makineyi %2 den daha yüksek eğimlerde veya yokuşlarda kullanmayın
- Yalnızca donanım ile verilmiş olan veya kullanma talimatlarında belirtilen fırçaları kullanın. Diğer fırçaların kullanılması güvenli olmayabilir.

DİKKAT!

- Bu makine trafiğe açık yollarda kullanıma uygun değildir.
- Bu makine tehlikeli tozların toplanması için uygun değildir.
- Bu makineyi kullanırken üçüncü şahısların, özellikle çocukların tehlike altında kalmamasına dikkat edin.
- Herhangi bir bakım ve tamir işlemi gerçekleştirmeden önce talimatları tamamen ve dikkatlice okuyun.
- İlk önce kontak anahtarını kapatmadan (O) ve anahtarı çıkarmadan makinenin yanından ayrılmayın.
- Fırçaları değiştirirken ve panelleri açarken önce Kontak Anahtarını (0) konumuna getirip anahtarı çıkartın.
- Saçların, mücevherlerin ve bol giysilerin makinenin hareket eden parçalarına takılmamalarını engellemek için gerekli bütün önlemleri alın.
- Makine çalışmaz hale gelmeden aküler çıkarılmalıdır. Akülerin imhası yerel yönetmeliklere uygun olarak güvenli bir şekilde yapılmalıdır.
- Makineyi belirtilenden daha dik yokuşlarda kullanmayın.
- Bu makine kullanılmadan önce tüm kapılar ve kapaklar kullanım talimatlarında belirtildiği konumda olmalıdır.
- Bu makine sadece kapalı alanda kullanım içindir.
- Bu makine sadece kapalı alanda muhafaza edilmelidir.

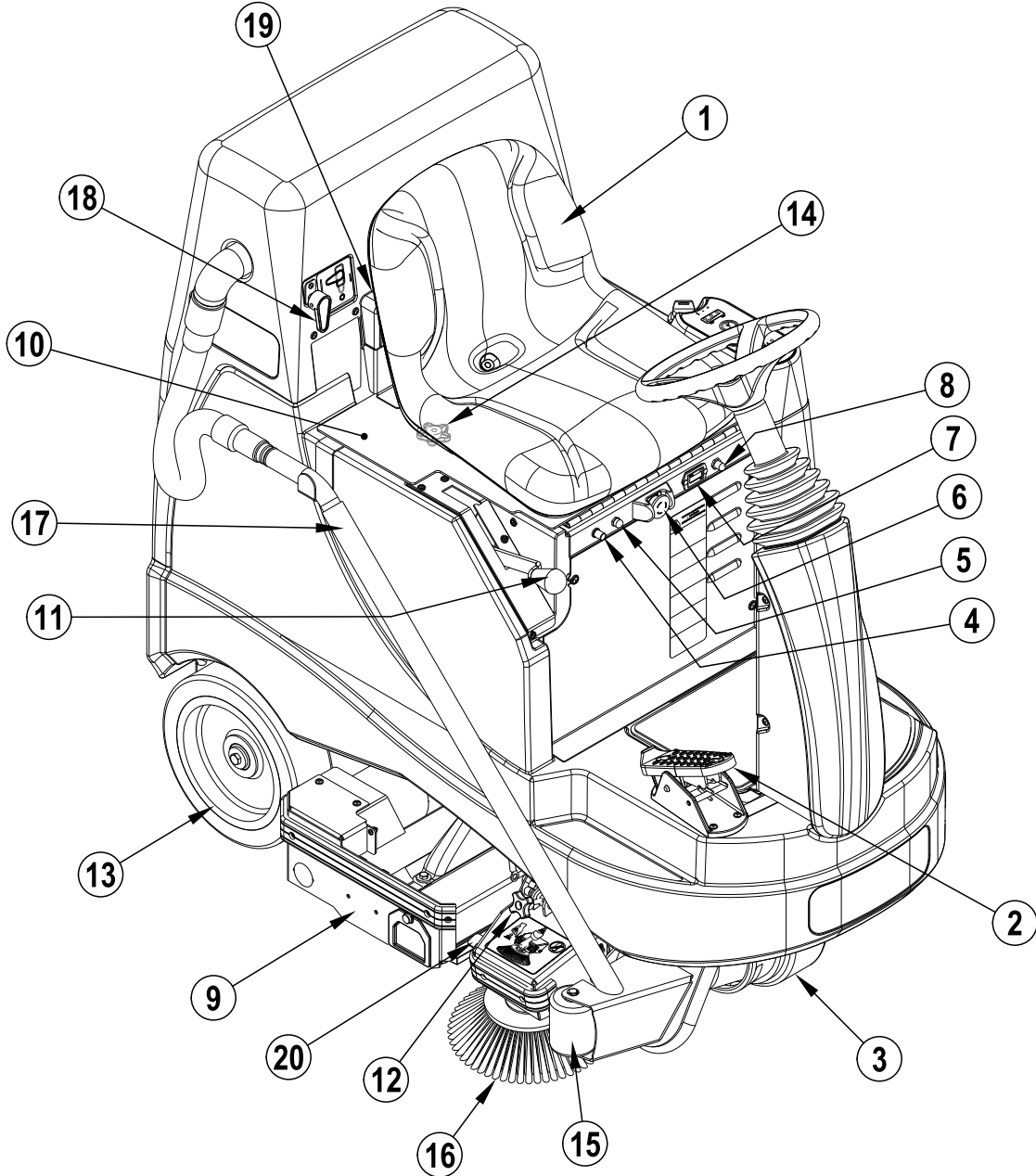
BU TALİMATLARI SAKLAYINIZ

B-4 / TÜRKÇE

MAKİNEİNİZİ TANIYIN

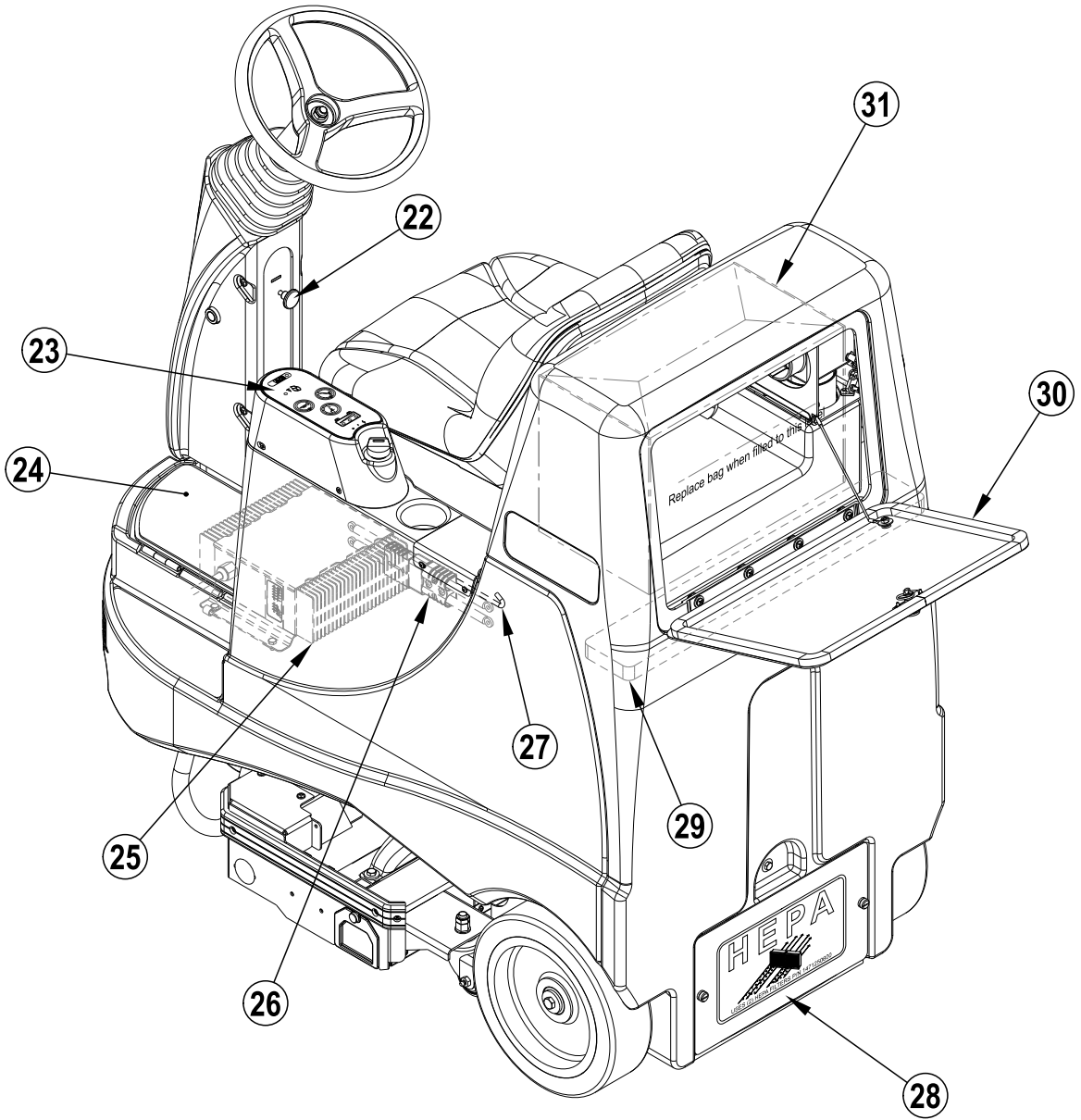
Bu kılavuzu okurken, parantez içinde koyu harfle yazılmış bir numara veya harf göreceksiniz- örnek: (2). Bu numaralar, aksi belirtilmedikçe, bu sayfada gösterilen bir bileşene atıf yapmaktadır. Metinde bahsedilen bir bileşenin yerini tam olarak belirlemek için gerekli olduğunda bu sayfaya bakınız. **NOT:** Takip eden 3 sayfada gösterilen her bir bileşene ait ayrıntılı açıklamalar için servis el kitabına bakınız.

- | | | | |
|----|--|----|--|
| 1 | Sürücü Koltuğu | 11 | Vakum Güvertesi Kaldırma/İndirme Kolu |
| 2 | Sürme Pedalı, Yön/Hız | 12 | Yan Süpürge Yükseklik Ayarı Düğmesi |
| 3 | Tahrik Tekerleği | 13 | Arka Tekerlek |
| 4 | Tahrik Tekerleği Devre Kesicisi (70 Amp) | 14 | Koltuk Ayar Düğmesi |
| 5 | Kontrol Devresi Devre Kesicisi (10 Amp) | 15 | Ön Makaralı Tampon |
| 6 | Acil Durdurma | 16 | Sağ Taraf Süpürge Tertibatı |
| 7 | Saat sayacı (opsiyonel) | 17 | Sopa |
| 8 | Yan Süpürge Devre Kesicisi (5 Amp) | 18 | Sopa Kontrol Kolu |
| 9 | Vakum Güvertesi | 19 | Yedek Torba Tablası (koltuğun arkasında) |
| 10 | Batarya Bölmesi (koltuk altında) | 20 | Yan Süpürge Açma Mandalı |



MAKİNEİNİZİ TANIYIN

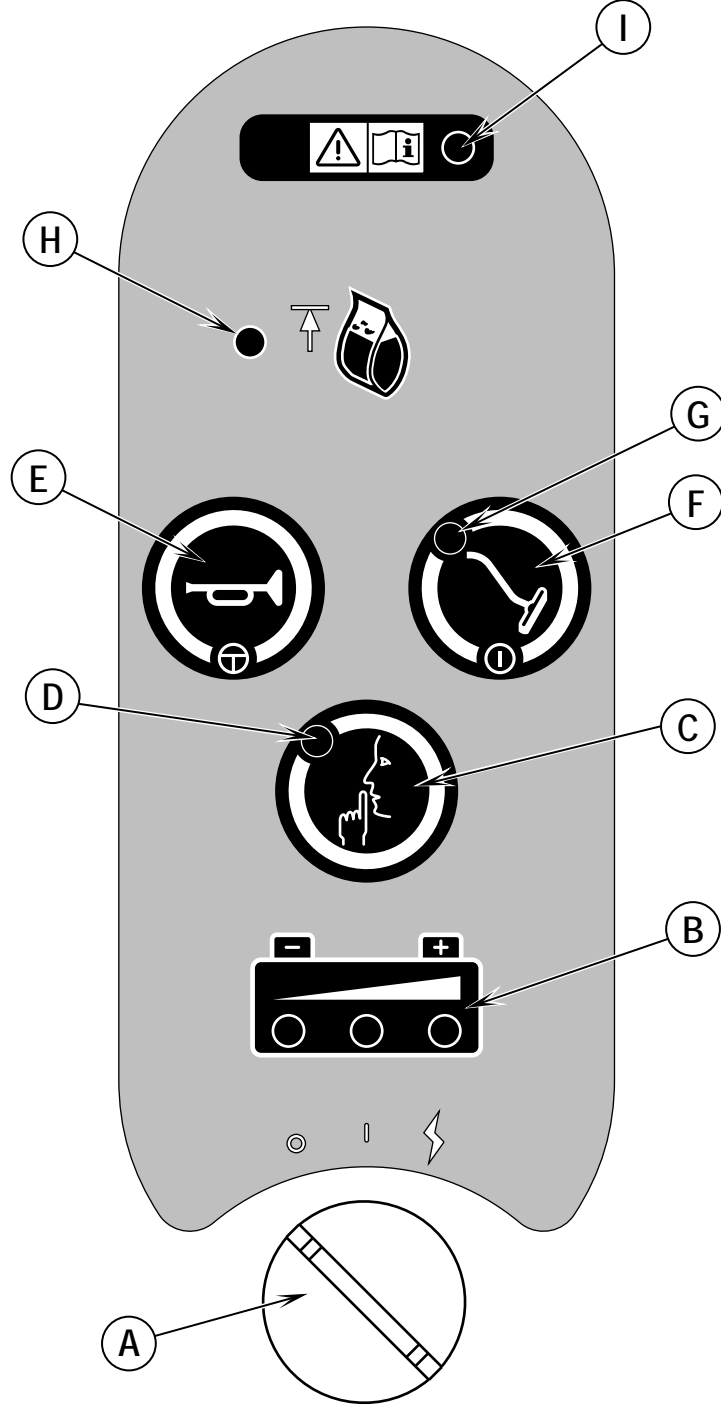
- 22 Direksiyon Eğimi Ayar Düğmesi
- 23 Kontrol Paneli
- 24 Batarya Şarj Cihazı Erişim Kapağı
- 25 Batarya Şarj Cihazı (isteğe bağlı)
- 26 Makine Batarya Konektörü
- 27 Koltuk Destek Çubuğu
- 28 HEPA Filtresi Erişim Kapağı
- 29 Vakum Motoru Köpük Filtresi
- 30 Filtre Torbası Erişim Kapağı
- 31 Filtre Torbası



B-6 / TÜRKÇE

KONTROL PANELİ

- A Kontak Anahtarı
- B Batarya Göstergesi
- C Sessiz Modu Düğmesi
- D Sessiz Modu Göstergesi
- E Korna
- F Sopa Düğmesi
- G Sopa Düğmesi Göstergesi
- H Torba Dolu Göstergesi
- I Hata Göstergesi



AKÜLER

Makineniz aküler monte edilmiş olarak geldiye aşağıdakileri yapın:

- Akülerin makineye bağlı olduğundan emin olun (26).
- Kontak Anahtarını (A) AÇIK konuma getirin ve Batarya Göstergesini (B) kontrol edin. Yeşil ışık AÇIK konumda ise, bataryalar kullanıma hazırdır. Yeşil ışık KAPALI konumda ise, bataryalar kullanımdan önce doldurulmalıdır. "Bataryaların Şarj Edilmesi" bölümüne bakınız.
- **ÖNEMLİ: MAKİNEİNİZİN ÜZERİNDE BİR ŞARJ CİHAZI VAR İSE ÜRÜNÜN OEM KILAVUZUNDAKİ ŞARJ CİHAZININ AKÜ TİPİNE GÖRE AYARLANMASI TALİMATLARINA BAKIN (TABLOYA BAKIN)**

En güncel akü şarj cihazı algoritmaları için TSBUS2008-984'a bakınız.

Makineniz aküler monte edilmemiş olarak geldiye aşağıdakileri yapın:

- Önerilen aküler için Yetkili Nilfisk satıcınıza danışın.
- Aşağıdaki talimatlara göre aküleri monte edin.
- Makinenize iki adet 12 voltluk batarya TAKMAYIN. Bu durum makinenin dengesini etkiler.
- **ÖNEMLİ: MAKİNEİNİZİN ÜZERİNDE BİR ŞARJ CİHAZI VAR İSE ÜRÜNÜN OEM KILAVUZUNDAKİ ŞARJ CİHAZININ AKÜ TİPİNE GÖRE AYARLANMASI TALİMATLARINA BAKIN (TABLOYA BAKIN)**

En güncel akü şarj cihazı algoritmaları için TSBUS2008-984'a bakınız.

BATARYALARIN TAKILMASI

⚠ UYARI!

Akülerle çalışırken azami derecede dikkatli olun. Akülerdeki sülfürik asit cildinize veya gözlerinize temas ederse ciddi yaralanmalara yol açabilir. Akü kapaklarının açıklıklarından patlayıcı hidrojen gazı çıkar. Bu gaz biz elektrik arki, kıvılcım veya alevle parlayabilir. Hiçbir kurşun-asit aküyü kapalı bir kutuda ya da ambalajda monte etmeyin. Aşırı şarjdan dolayı oluşan hidrojen gazının kaçışına olanak sağlanmalıdır.

Aküler servise alındığında

- Tüm mücevher takıları çıkarın
- Sigara içmeyin
- Koruyucu gözlük, lastik eldiven ve lastik önlük takın
- İyi havalandırılan bir ortamda çalışın
- Aletlerin bir seferde birden fazla akü kutup başı ile temas etmesine izin vermeyin.
- Aküleri değiştirirken kıvılcım çıkmasını önlemek için DAİMA önce akünün negatif (şasi) kablosunu sökün.
- Aküleri monte ederken DAİMA negatif kabloyu en son bağlayın.

⚠ DİKKAT!

Aküler doğru monte edilmez ve bağlanmaz ise bu makinedeki elektrikli aksamlar ciddi hasar görebilir. Aküleri Nilfisk, nitelikli bir elektrikçi veya üretici monte etmelidir.

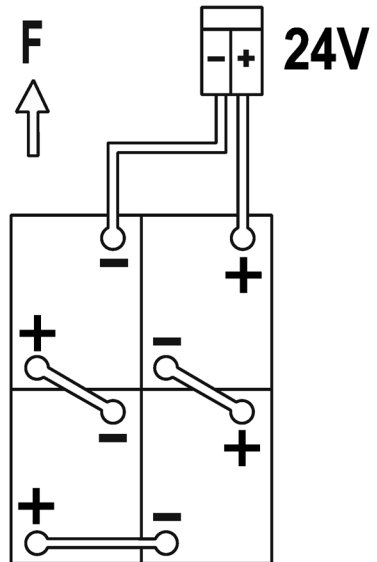
- 1 Kontak Anahtarını (A) KAPALI (O) konuma getirin ve anahtarı çıkartın. Arından Batarya Bölmesi Kapağını (10) açın ve Destek Çubuğunu (27) yerleştirin.
- 2 İki (2) insanla ve uygun bir kaldırma kayışı kullanarak, bataryaları bölme tablasına tam olarak görülen şekilde dikkatlice kaldırın. Batarya kablo düzeni için 56601416 numaralı etikete bakınız.
- 3 **Şekil 1'e bakınız.** Batarya kablolarını resimde görüldüğü şekilde takın ve batarya terminallerinin somunlarını sıkın.
- 4 Batarya pabuçlarını takın ve sağlanan bağlantı bantlarıyla akü kablolarına sıkıca tutturun.
- 5 Batarya paketi konektörünü makine konektörüne (26) takın ve batarya bölmesi kapağını kapatın.

⚠ DİKKAT!

Bataryaları değiştirmeden önce TSBUS2008-984'e bakınız veya <http://www.nilfisk-advance.com> adresini ziyaret edin.

ŞEKİL 1

420A/H - 20HR - RATE



CAUTION: Before changing batteries consult TSBUS2008-984 or visit <http://www.nilfisk-advance.com>

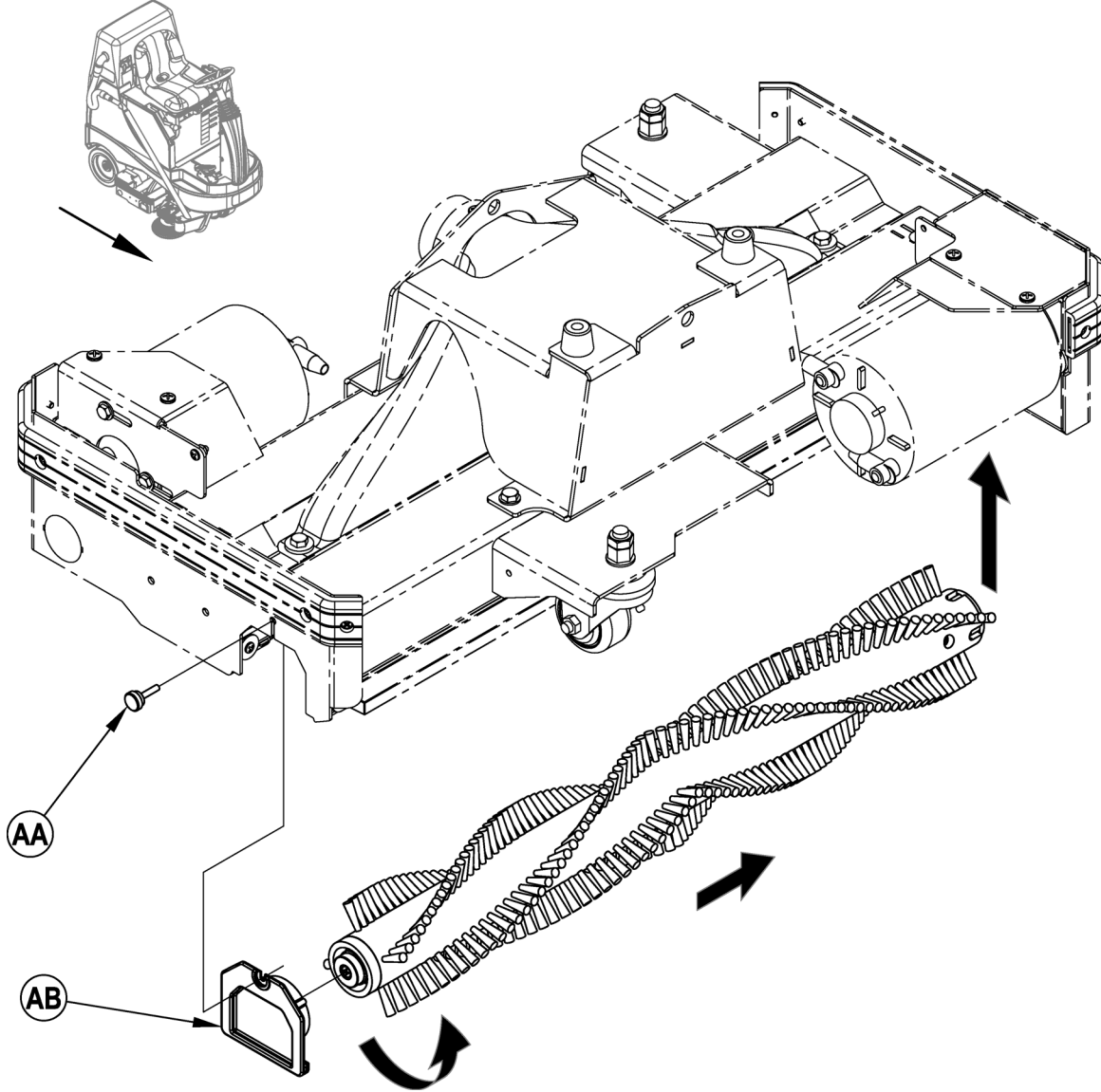
FIRÇALARIN TAKILMASI

⚠ DİKKAT!

Fırçaları değiştirmeden ve herhangi bir erişim panelini açmadan önce kontak anahtarını kapatın (O) ve anahtarı çıkartın.

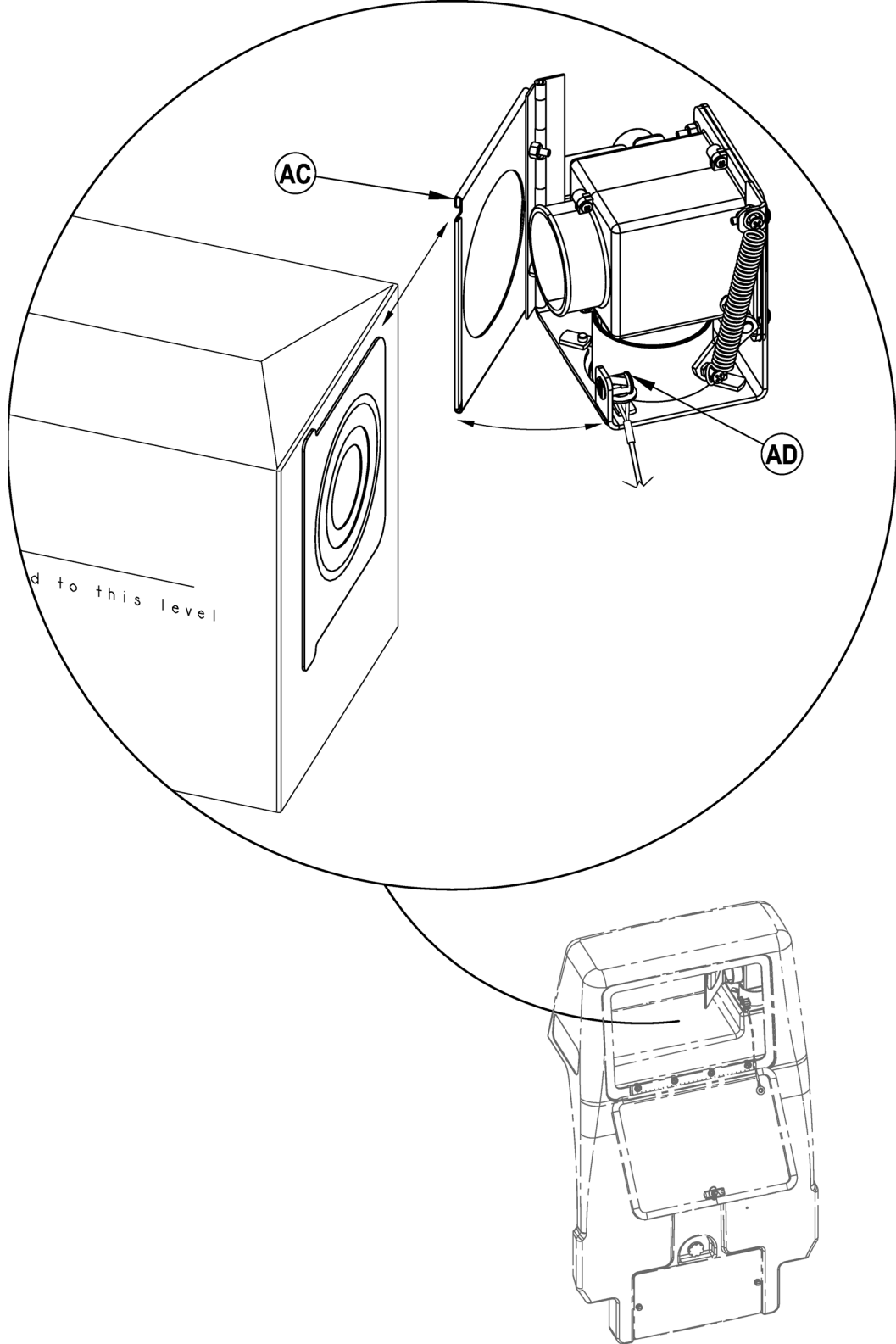
- 1 Vakum Güvertesinin KALKIK konumda olmasına dikkat edin. Kontak Anahtarının (A) kapalı (O) konumda olduğundan emin olun.
- 2 **Şekil 2'ye bakınız.** İki Ayar Vidasını (AA) gevşetin, Avara Dişli Takımını (AB) aşağı kaydırın ve vakum güvertesinden ve fırçadan çıkartın.
- 3 Fırçayı kartere doğru kaydırın, hafifçe kaldırın, oturana kadar itin ve döndürün. Avara Dişlisi Tertibatlarını (AB) ve Ayar Vidalarını (AA) tekrar takın.

ŞEKİL 2



FİLTRE TORBASININ TAKILMASI

- 1 Filtre Torbası Erişim Kapağındaki (30) düğmeyi saat yönü tersine yarım tur çevirin ve erişim kapağını açın.
- 2 **Şekil 3'e bakınız.** Miknatısla (AD) kapalı tutulan filtre bileziğini (AC) açın.
Bir Bez Filtre Torbası veya Kağıt (Tek Kullanımlık) Filtre Torbası takın.
- 3 Katlarından çekerek filtreyi genişletin.
- 4 Filtrenin mukavva kare kısmından tutun ve filtreyi bileziğe kaydırın.
- 5 Filtre torbasının lastiğini emiş borusuna bastırarak filtre bileziğini kapatın. Torbayı, torba destek platformunun üstüne yaslayın.
- 6 Filtre Torbası Erişim Kapağını kapatın. Kapı ile muhafaza arasındaki filtreyi ezmezin.

ŞEKİL 3

MAKİNEİNİN ÇALIŞTIRILMASI

UYARI!

Operatör kumanda cihazları ve bunların işlevlerini tam olarak anladığınızdan emin olun.

Rampa üzerinde ve eğimli yerlerde, yüklü olduğunda ani durma hareketinden kaçınınız. Ani ve keskin dönüşlerden kaçınınız. Yokuş aşağı düşük hızda gidiniz. Sadece rampadan tırmanırken (yukarıya doğru giderken) temizleyiniz.

Süpürmek için...

Bu kılavuzun "makinenin kullanıma hazırlanması" bölümünde yer alan talimatları uygulayınız.

- 1 **Bkz. Şekil 4.** Makineye oturduktan sonra, Direksiyon Eğim Ayarı Düğmesini (22) kullanarak direksiyonu rahat bir konuma ayarlayınız. Gerekirse koltuğu yatırarak ve ayar düğmesini (14) kullanarak koltuk ayarlanabilir.
- 2 Ana Kontak Anahtarını (A) AÇIK konuma (I) getiriniz. Bu işlemden sonra kontrol paneli göstergeler ışıkları yanar. Devam etmeden önce Batarya Göstergesine (M) bakınız.
- 3 Makineyi çalışma yapılacak alana götürmek için, ileri hareket etmek için Sürme Pedalını (2) ön tarafına ve geriye gitmek için pedalın arka tarafına yatay basınç uygulayınız. İstenilen hızda gitmek için ayak pedalına uygulanan basıncı değiştiriniz.
- 4 Süpürülecek halının tamamen kuru olduğundan emin olun.

DİKKAT!

Asla suyu almaya veya ıslak halıyı süpürmeye çalışmayınız. Bu makine sadece kuru temizlik için tasarlanmıştır.

- 5 Yan süpürgeyi çalışma konumuna indiriniz. Bu işlem, yan süpürge tertibatının dış kenarını kaldırırken Yan Süpürge Açma Mandalına (20) bastırarak yapılır (yan süpürge üstündeki etikete bakınız) ardından yan süpürgeyi aşağı ayarlayınız. Çalışma konumuna geldiğinde, yan süpürge vakum güvertesiyle birlikte yukarı ve aşağı hareket edecektir. Yan süpürge kullanılması istenmiyorsa, kaldırılmış halde saklama konumunda kalabilir.
- 6 Vakum güvertesini ve yan süpürgeyi Vakum Güvertesi Kaldırma/İndirme Kolunu (11) kullanarak indiriniz. Bu, vakum motorlarını çevirecek ve ovma ve yan süpürge sistemlerini etkinleştirecektir. Ovma ve yan süpürge sistemleri, Tahrik Pedali (2) ileri etkinleştirildiğinde çalışır.
- 7 Makineyi düz bir hat üzerinde normal yürüme hızıyla sürerek vakumla süpürme işlemine başlayınız ve dönüşte her yolu 2-3 inç (50-75 mm) kadar çakıştırarak sürünüz. Gerekli olduğunda zeminin durumuna göre makine hızını ayarlayınız.
- 8 Makinenin, maksimum çekiş özelliğine sahip iki vakum motoru bulunmaktadır. Vakum motorlarından birini kapatmak ve makinenin ses seviyesini düşürmek amacıyla Sessiz Modu Düğmesine (C) basın. Bu, Göstergenin (D) Açılmasına neden olacaktır. İkinci vakum motorunu tekrar açmak için düğmeye tekrar basın. Makine çalıştırıldığında son ayara (bir veya iki vakum motoru) dönecektir.
- 9 Vakumla süpürme işlemi sırasında, atıkların tamamen alındığından emin olmak için ara sıra makinenin arkasını kontrol ediniz. Ara sıra filtre torbasındaki atık seviyesini kontrol ediniz ve torbanın yanında gösterilen seviyeye ulaştığında boşaltınız/değiştiriniz.
- 10 Torba Dolu Göstergesi (H) Yandıığında, vakum motorları çalışmaya devam eder ancak filtre torbası doluyorsa makine çekmez.
- 11 Operatör süpürmeyi durdurduğunda veya Torba Dolu Göstergesi (H) Yandıığında; Ovma güvertesini ve yan süpürgeyi manuel olarak kaldırmak için Vakum Güvertesi Kaldırma/İndirme Kolunu (11) kullanınız; bu, ovma süpürgeleri, yan süpürge ve vakum motorlarını durduracaktır.
- 12 Makineyi belirtilen atık "İMHA SAHASINA" götürünüz ve filtre torbasını sökünüz. Kağıt torba filtresini atınız veya bez filtre torbasını boşaltınız (hangisinin kullanıldığına bağlı olarak). Yeni/boş bir filtre torbası takınız ve süpürmeye devam ediniz.

NOT: Filtre Torbası Erişim Kapağının (30) ve HEPA Filtresi Erişim Kapağının (28) doğru oturduğundan ve makinenin çekim gücünün kaybetmediğinden ve kirleri doğru şekilde çektiğinden emin olun.

Bataryaların şarj edilmesi gerektiğinde, Batarya Göstergesi (B) kırmızı yanıp söner. Ardından fırça ve vakum motorları otomatik olarak kapanacak ve çalışmayacaktır, vakum güvertesini manuel olarak kaldırınız. Makineyi bir servis alanına götürünüz ve bu kılavuzun Batarya bölümünde yer alan talimatlara uygun olarak bataryaları şarj ediniz.

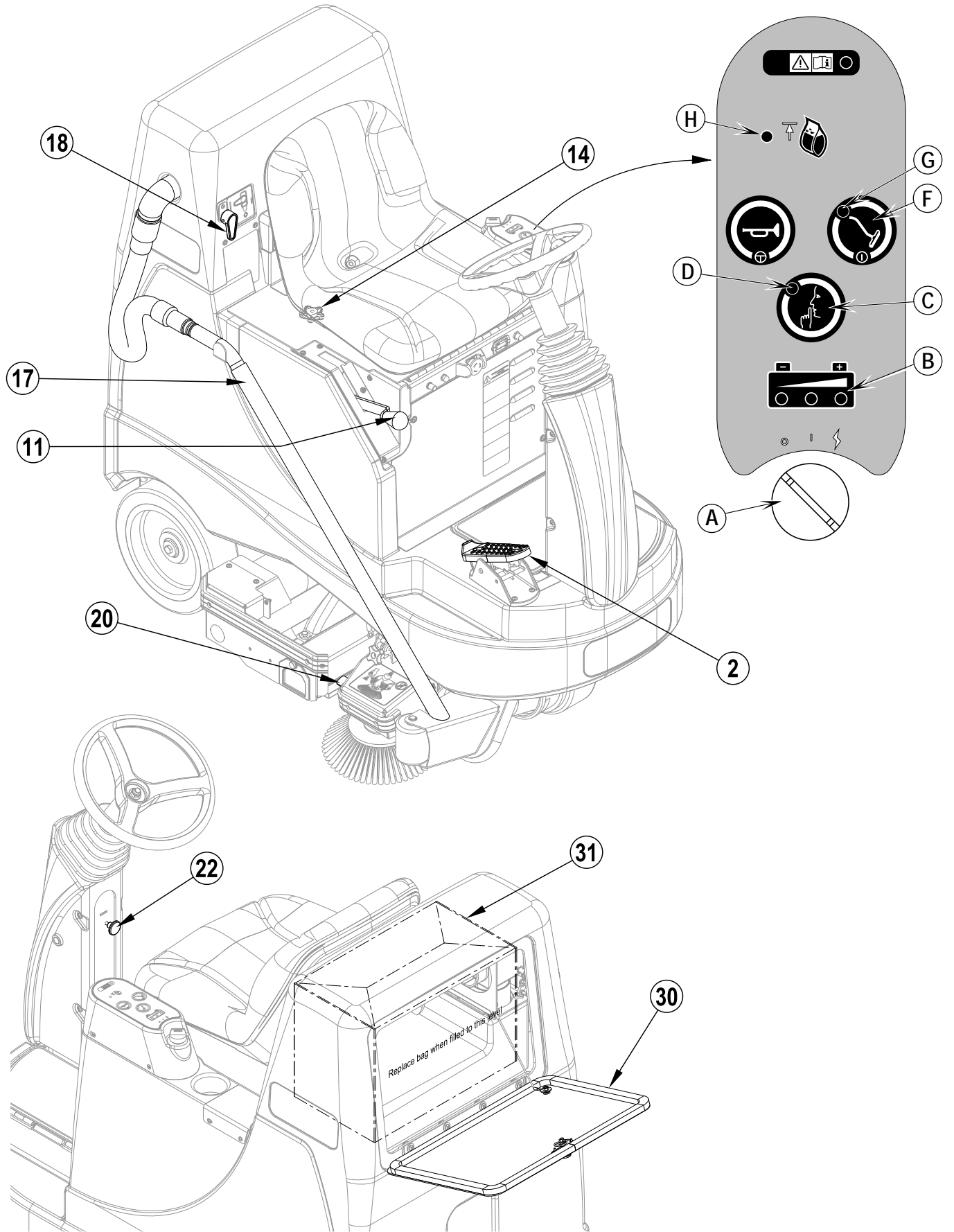
SOPANIN KULLANILMASI

Makinenin entegre Sopası yüksek yüzeyleri temizlemeyi veya dar köşelere ulaşmayı kolaylaştırır. Sopa, operatör makine üzerinde olduğunda veya olmadığında ve vakum güvertesi kaldırılmış veya indirilmiş konumdayken kullanılabilir.

- 1 Sopyayı (17) yuvasından çıkartınız.
- 2 Sopa Kontrol Kolunu (18) (saat yönünde) sopa konumuna çeviriniz.
- 3 Ana Kontak Anahtarını (A) Açın ve vakum motorlarını açmak için Sopa Düğmesine (F) basın. Vakum motorları, KAPALI konuma getirmek için tekrar anahtara basana kadar sürekli çalışacaktır.
- 4 **NOT:** Makine üzerine oturuyorsanız ve güverte aşağı konumdaysa, Sopa Düğmesine (F) basılıp basılmadığından bağımsız olarak vakum motorları sürekli olarak çalışacaktır.

SERVİS NOTU: Tüm kumanda donanımı ve opsiyonel programlanabilir özelliklerinin ayrıntılı işlev açıklamaları için servis kitapçığına bakınız.

ŞEKİL 4



B-12 / TÜRKÇE

KULLANIM SONRASI

- 1 Süpürmeyi bitirdiğinizde, tüm sistemleri kapatmak için vakum güvertesini manuel olarak kaldırın. Daha sonra günlük bakım ve diğer gerekli servis işlemlerinin yapılması için makineyi bir servis alanına götürün.
- 2 Fırçaları sökün ve ılık suyla durulayıp, biriken iplik, saç ve halı liflerini alın. Fırçaları kuruması için asın.
- 3 Aşağıdaki bakım çizelgesini kontrol edin ve depolamadan önce gerekli bakım işlemlerini gerçekleştirin.

BAKIM TAKVİMİ

Aşağıdaki bakım çizelgesini yakından takip ederek makineyi en iyi konumda tutabilirsiniz. **Verilen bakım aralıkları ortalama işletme koşulları içindir. Daha ağır ortamlarda kullanılan makineler, daha sık bakıma ihtiyaç duyabilir.**

BAKIM KONUSU	Günlük	Haftalık	Aylık	Yıllık
Akülerin Şarj Edilmesi	X			
Filtre Torbasının Kontrolü/Boşaltılması/Değiştirilmesi	X			
HEPA Filtrelerinin Kontrolü/Temizlenmesi	X			
Fırçaların Kontrolü/Temizlenmesi	X			
Vakum motoru köpük filtresi(ler)nin Kontrolü/Temizlenmesi	X			
Her Akü Hücresinin Su Seviyesinin Kontrolü		X		
Makinenin Yağlanması			X	
* Karbon Fırçaların Kontrol Edilmesi				X

* Yılda bir kez ya da 300 saat çalışmanın ardından vakum motoru karbon motor fırçalarını Nilfisk'e kontrol ettirin. Yılda bir kez ya da her 500 saatte bir fırça ve tahrik motoru karbon fırçalarını kontrol edin.

NOT: Bakım ve servis onarımları ile ilgili daha fazla ayrıntı için Servis Kitapçığına bakınız.

- 4 Makineyi kapalı alanda temiz ve kuru bir yerde muhafaza edin. Donmaya karşı koruyun.
- 5 Ana Kontak Anahtarını (A) KAPALI (O) konuma getirin ve anahtarı çıkarın.

VAKUM MOTORLARINDA SERVİS

Yılda bir kez ya da 300 işletim saatinden sonra karbon motoru fırçalarını Nilfisk-Advance bayisine kontrol ettirin.

⚠ ÖNEMLİ!

Karbon fırçalarda servis yapılmamasından kaynaklanan motor hasarı garanti kapsamında değildir. Sınırlı Garanti Beyanına bakınız.

MAKİNEİNİN YAĞLANMASI

Ayda bir kez, makine üzerindeki gresörlüklere gres rulmanların dışına sızana kadar bir miktar gres pompalayın. Halının kirlenmesini önlemek için fazla gresi silin.

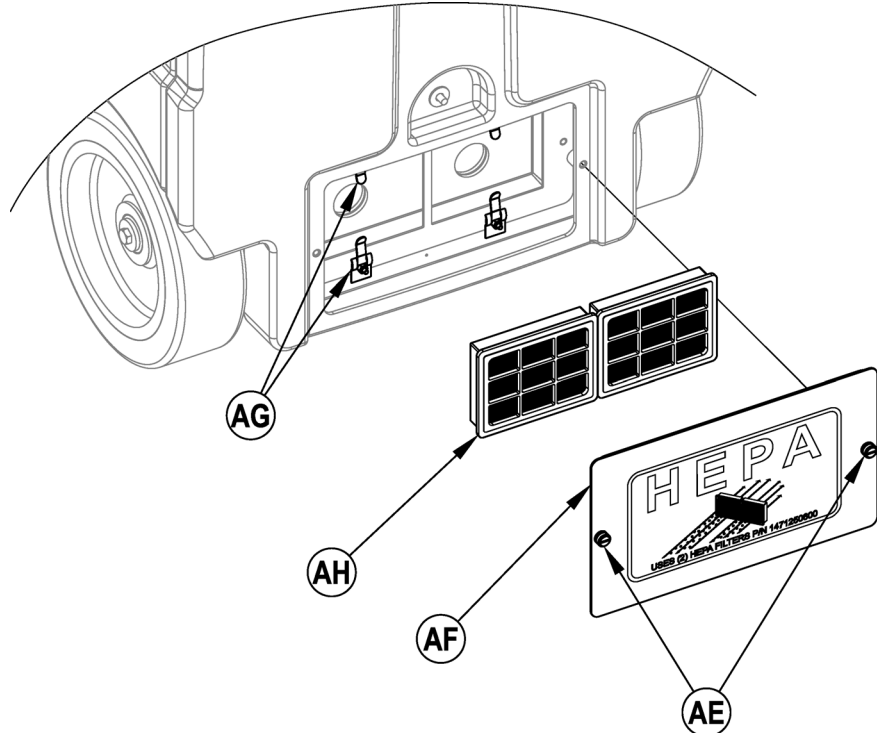
Gresörlük yerleri (gresin uygulanacağı yerler) (AA):

- Vakum Güvertesi Tekerlekleri

Ayda bir, aşağıdaki döner noktaları yağlayın. En iyi sonuç için, püskürtmeli bir silikon yağlayıcı kullanın.

- Direksiyon Zinciri
- Yan Süpürge ve Vakum Güvertesi Bağlantısı için Genel Dönüş Noktaları.
- Direksiyon Mili Kardan Mafsalı
- Yan Süpürge Ön Makaralı Tamponu

ŞEKİL 5



HEPA FİLTRESİNİN BAKIMI

HEPA filtreleri kirlendiğinde temizlenebilir. Temizleme, hava akışını arttırmak için yeterli olmazsa, değiştirilmesi gerekir.

- 1 **Şekil 5'e bakınız.** İki vidayı (AE) gevşetin ve ardından makinenin arkasından Filtre Panelini (AF) sökün.
- 2 Kelepçeleri (AG) açın ve HEPA filtrelerini (AH) çıkartın.
- 3 Kirleri temizlemek için arka taraftan basınçlı hava kullanın. Bu filtrelerin ıslanmamasını sağlayın.

ISLAK BATARYALARIN ŞARJ EDİLMESİ

Bataryaları makinenin kullanıldığı her seferden sonra veya Batarya Durum Göstergesi (B) KIRMIZI yanıp söndüğünde şarj edin.

⚠ UYARI!

Aküleri şarj etmeden doldurmayın.

Aküleri iyi havalandırılan bir yerde şarj edin.

Akülere bakım yaparken sigara içmeyin.

Akülere bakım yaparken...

- Tüm mücevherleri çıkarın
- Sigara içmeyin
- Koruyucu gözlük, lastik eldiven ve lastik önlük takın
- İyi havalandırılan bir yerde çalışın
- Aletlerin bir seferde birden fazla akü kutup başı ile temas etmesine izin vermeyin.
- Aküleri değiştirirken kıvılcım çıkmasını önlemek için DAİMA önce akünün negatif (şasi) kablosunu sökün.
- Aküleri monte ederken DAİMA negatif kabloyu en son bağlayın.

Makineniz entegre batarya şarj cihazı takılı olarak gelirse, aşağıdaki işlemleri uygulayın:

Kontak Anahtarını (A) KAPALI konuma getirin. Doğru havalandırma için Batarya Bölmesi (10) ve Batarya Şarj Cihazı Erişim Kapağını (24) açın. Entegre şarj cihazının yanından elektrik kablosunu açın ve doğru topraklanmış bir çıkışa takın. Daha ayrıntılı kullanım talimatları için OEM ürün kılavuzuna bakınız.

Makineniz entegre batarya şarj cihazı takılı olmadan gelirse, aşağıdaki işlemleri uygulayın:

Makineden bataryaları ayırın ve şarj cihazı konektörünü Batarya Paketi Konektörüne (26) takın. Batarya şarj cihazı üzerindeki talimatları uygulayın. SERVİS NOTU: Batarya şarj cihazını, bataryalara takılan konektöre taktığınızdan emin olun.

⚠ DİKKAT!

Zemin yüzlerine zarar vermemek için şarj sonrasında akülerin üstündeki su ve asidi silin.

AKÜ SU SEVİYESİNİN KONTROL EDİLMESİ

Akü su seviyelerini haftada bir kontrol edin.

Aküleri şarj ettikten sonra havalandırma tapalarını çıkartıp su seviyelerini kontrol edin. Her hücreyi seviye göstergesine (veya üst ayrıncıların 10 mm üzerine) kadar doldurmak için distile veya de-mineralize su kullanın (oto parçası satan yerlerin çoğunda bulunur). Aküleri aşırı DOLDURMAYIN!

⚠ DİKKAT!

Aküler aşırı doldurulursa yere asit dökülebilir.

Havalandırma tapalarını sıkıştırın. Akü kutuplarını karbonatlı su çözeltisi ile yıkayın (1 litre suya 2 çorba kaşığı karbonat)

JEL (VRLA) BATARYALARININ ŞARJ EDİLMESİ

Bataryaları makinenin kullanıldığı her seferden sonra veya Batarya Durum Göstergesi (B) KIRMIZI yanıp söndüğünde şarj edin.

⚠ UYARI!

Aküleri iyi havalandırılan bir yerde şarj edin.

Akülere bakım yaparken sigara içmeyin.

Akülere bakım yaparken...

- Tüm mücevherleri çıkarın
- Sigara içmeyin
- Koruyucu gözlük, lastik eldiven ve lastik önlük takın
- İyi havalandırılan bir yerde çalışın
- Aletlerin bir seferde birden fazla akü kutup başı ile temas etmesine izin vermeyin.
- Aküleri değiştirirken kıvılcım çıkmasını önlemek için DAİMA önce akünün negatif (şasi) kablosunu sökün.
- Aküleri monte ederken DAİMA negatif kabloyu en son bağlayın.

⚠ DİKKAT!

Voltaj regüleli kurşun asit aküler (VRLA) YALNIZCA DOĞRU OLARAK ŞARJ EDİLDİĞİNDE! Üstün performans sağlar. Yetersiz veya fazla şarj akü ömrünü kısaltır performansını sınırlar. DOĞRU ŞARJ TALİMATLARINA UYDUĞUNUZDAN EMİN OLUN! BU AKÜYÜ AÇMAYA TEŞEBBÜS ETMEYİN! VRLA akü açılırsa basınç kaybeder ve plakaları oksijenle kirlenir. AKÜ AÇILIRSA GARANTİ GEÇERSİZ OLUR.

Makineniz entegre batarya şarj cihazı takılı olarak gelirse, aşağıdaki işlemleri uygulayın:

Kontak Anahtarını (A) KAPALI konuma getirin. Doğru havalandırma için Batarya Bölmesi (10) ve Batarya Şarj Cihazı Erişim Kapağını (24) açın. Entegre şarj cihazının yanından elektrik kablosunu açın ve doğru topraklanmış bir çıkışa takın. Daha ayrıntılı kullanım talimatları için OEM ürün kılavuzuna bakınız.

Makineniz entegre batarya şarj cihazı takılı olmadan gelirse, aşağıdaki işlemleri uygulayın:

Makineden bataryaları ayırın ve şarj cihazı konektörünü Batarya Paketi Konektörüne (26) takın. Batarya şarj cihazı üzerindeki talimatları uygulayın. SERVİS NOTU: Batarya şarj cihazını, bataryalara takılan konektöre taktığınızdan emin olun.

ÖNEMLİ: Jel hücreli aküler için uygun bir şarj cihazınız olduğundan emin olun. Yalnızca "voltaj regüleli" veya "voltaj-limitli" şarj cihazları kullanın. Standart sabit akım veya kademeli akım şarj cihazları KULLANILMAMALIDIR. Manuel ayarlamalar asla doğru olmayacağından ve bütün VRLA aküleri bozacağından sıcaklığa duyarlı şarj cihazı önerilir.

B-14 / TÜRKÇE

YAN SÜPÜRGENİN BAKIMI

Yan süpürge, duvarlar veya kaldırım kenarlarındaki kir ve çöplerin ana fırçaların rotasına getirilmesini sağlar. Yan süpürgeyi, süpürge aşağı konumda ve çalışırken kılları zemine **Şekil 6**'da görüldüğü gibi saat 10 (**AA**) açısından saat 3 (**BB**) açısına doğru bir alanda temas edecek şekilde ayarlayın.

Yan Süpürgeyi ayarlamak için...

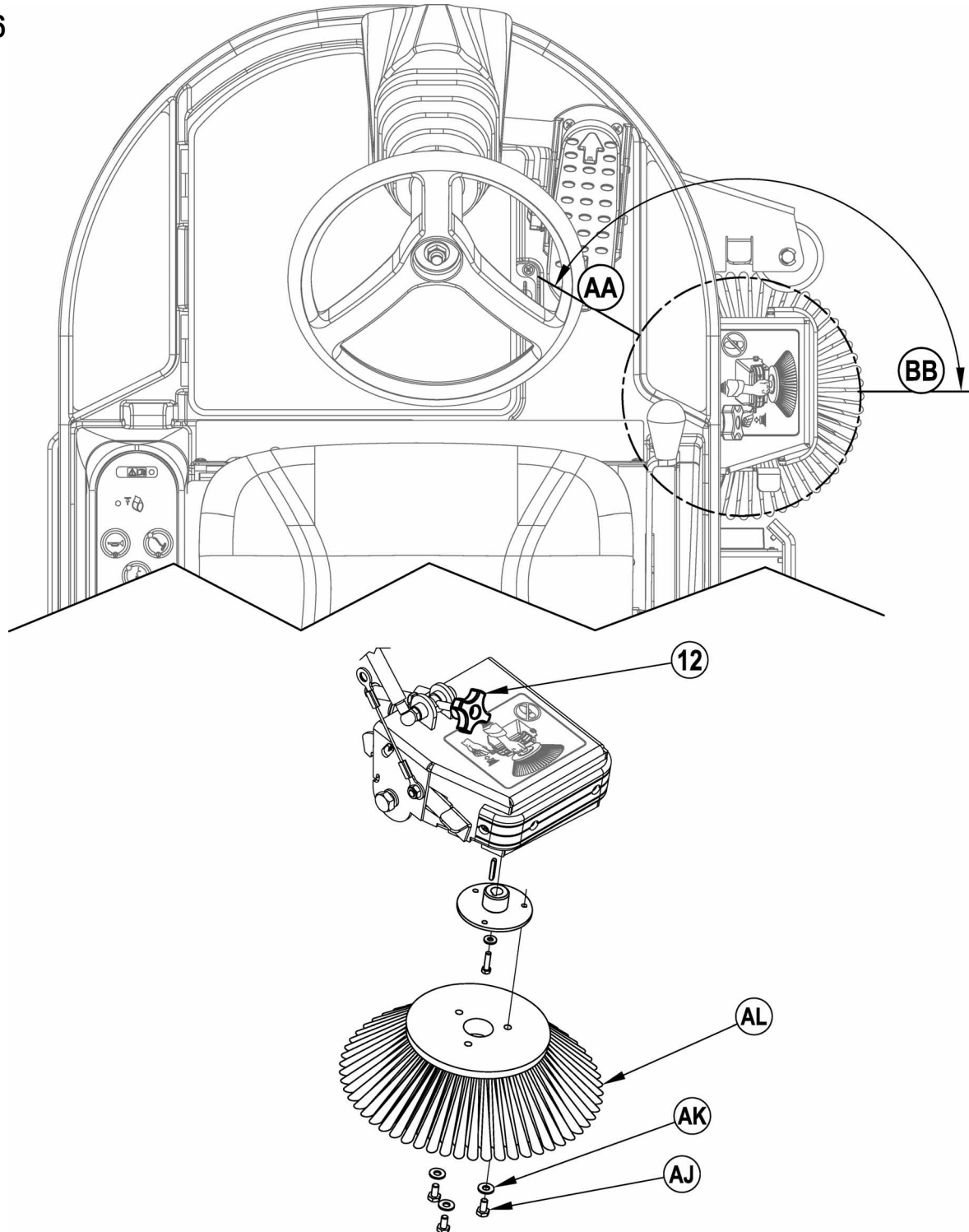
- 1 Yan süpürge, Yan Süpürge Yükseklik Ayar Düğümünü (**12**) çevirerek ayarlanır, yan süpürgeyi kaldırmak için saat yönünde ve indirmek için saat yönü tersine çevirin.

NOT: Makine, Yan Süpürge kalkık konumda iken saklanmalıdır. Yan Süpürge, kıllar çok aşınmış olduğunda veya etkin olmadığına değiştirilmelidir.

Yan Süpürgeyi değiştirmek için...

- 1 Yan Süpürgeyi kaldırın.
- 2 Yan Süpürgeyi (**AL**) göbeğe tutturun üç altıgen Vida (**AJ**) ve Pul (**AK**) ile süpürgeyi sökün.
- 3 Aynı donanımı kullanarak yeni süpürgeyi takın.

ŞEKİL 6



GENEL ARIZA TESPİT VE GİDERİLMESİ

Sorun	Olası Neden	Çözüm
Zayıf süpürme performansı	Sopa Kontrol Kolu, fırça yerine Sopaya ayarlıdır	Sopa kontrol kolunu fırçalara çevirin
	Fırçalar aşınmış veya çıkmış	Fırçaları değiştirin
	Makine çok hızlı hareket ediyor	Yavaşlayın
Yan süpürge çalışmıyor	Yan süpürge kaldırılmış konumda	Yan süpürgeyi çalışma konumuna indirin
	Açılmış 5 Amp devre kesici	Yan süpürge motoru aşırı yük (sıkışma vs.) nedenini kontrol edin ve düzeltin. Devre kesiciyi sıfırlayın.
Makine çalışmıyor	Akü konektörü bağlantısı kesilmiştir	Batarya konektörlerini yeniden bağlayın
	Operatör koltuğu güvenlik anahtarı	Açık devre kontrolü yapın ve değiştirin
	Ana sistem kontrol ünitesi	Arıza hata kodlarını kontrol edin (servis Elkitabına bakın)
	10 A'lık devre kesicisi aksamakta	Elektriksel kısa devre kontrolü yapın ve sıfırlama yapın
Tekerlekler İLERİ/GERİ gitmiyor	Tahrik sistemi hız denetleyicisi	Hata kodlarını kontrol edin (servis kitapçığına bakınız)
	Açılmış 70 Amp devre kesici	Tahrik motorunda aşırı yüklenme olup olmadığını kontrol edin
	Acil durdurma anahtarı açılmıştır	Acil Durdurma Anahtarını sıfırlayın
Filtre torbası dolu göstergesi filtre torbası dolduğunda yanar	Tıkalı HEPA filtreleri	Filtreleri temizleyin veya gerekirse değiştirin
	Bloke sopa aracı veya hortum	Hortumu temizleyin

TEKNİK ÖZELLİKLER (ünite üzerinde monte ve test edilen şekilde)

Model		BRV 900
Model No.		56602002
Voltaj, Bataryalar	V	24V
Batarya Kapasitesi	Ah	305/415
Koruma Derecesi		Püskürtmeyin
Ses Basıncı Seviyesi – LpA (IEC 60335-2-72, ISO 11201)	dB(A)	67.0 64.0 (Sessiz Modu)
Ses Basıncı Seviyesi – KpA (IEC 60335-2-72, ISO 11201) Belirsizlik	dB(A)	3.0
Brüt Ağırlık	lbs/kg	1,026/465.4
Maksimum Tekerlek Zemin Yükü (orta ön)	psi / kg/cm ²	158 / 11.1
Maksimum Tekerlek Zemin Yükü (sağ arka)	psi / kg/cm ²	115 / 8.1
Maksimum Tekerlek Zemin Yükü (sol arka)	psi / kg/cm ²	85 / 5.9
El Kontrollerinde Vibrasyon (ISO 5349-1)	m/s ²	.25
El Kontrollerinde Vibrasyon (ISO 5349-1) Belirsizlik	m/s ²	.05
Koltuktaki Titreşimler (EN 1032/ISO 2631-1)	m/s ²	.01
Koltuktaki Titreşimler (EN 1032/ISO 2631-1) Belirsizlik	m/s ²	.002
Tırmanma Kabiliyeti Taşıma		%16 (9°)
Tırmanma Kabiliyeti Temizleme		%9 (5°)

Overenstemmelseserklæring
Declaration of conformity
Konformitätserklärung
Declaración de conformidad
Atbilstības deklarācija
Megfelelősségi nyilatkozat
Certifikat o ustreznosti

Declaration de conformité
Verklaring van overeenstemming
Dichiarazione di conformità
Vastavussertifikaat
Deklaracja zgodności
Försäkran om överensstämmelse

Samsvarserklæring
Vaatimustenmukaisuusvakuutus
Atitikties deklaracija
Osvědčení o shodě
Certifikát súladu

Modell/ Modèle/ Model/ Malli/ Modelo/ Μοντέλο/ Modelo/ Modelis/Модель: Sweeper
Type/ Τυππι/ Tipo/ Τύπος/ Tüüp/ Tipas/ Tips/ Typ/ Tipus/ Тип/ Tip: BRV 900

- D** Der Unterzeichner bestätigt hiermit dass die oben erwähnten Modelle gemäß den folgenden Richtlinien und Normen hergestellt wurden.
- GB** The undersigned certify that the above mentioned model is produced in accordance with the following directives and standards.
- DK** Undertegnede attesterer herved, at ovennævnte model er produceret i overensstemmelse med følgende direktiver og standarder.
- N** Undertegnede attesterer att ovennevnte modell är produsert i overensstemmelse med følgende direktiv og standarder.
- E** El abajo firmante certifica que los modelos arriba mencionados han sido producidos de acuerdo con las siguientes directivas y estandares.
- I** Il sottoscritto dichiara che i modelli sopra menzionati sono prodotti in accordo con le seguenti direttive e standard.
- EST** Allakirjutanu kinnitab, et ülalnimetatud mudel on valmistatud kooskõlas järgmiste direktiivide ja normidega.
- LV** Ar šo tiek apliecināts, ka augstākminētais modelis ir izgatavots atbilstoši šādām direktīvām un standartiem.
- CZ** Niže podepsaný stvrzuje, že výše uvedený model byl vyroben v souladu s následujícími směrnici a normami.
- SLO** Spodaj podpisani potrjujem, da je zgoraj omenjeni model izdelan v skladu z naslednjimi smernicami in standardi.
- F** Je soussigné certifie que les modèles ci-dessus sont fabriqués conformément aux directives et normes suivantes.
- NL** Ondergetekende verzekert dat de bovengenoemde modellen geproduceerd zijn in overeenstemming met de volgende richtlijnen en standaards.
- FIN** Allekirjoittaja vakuuttaa että yllämainittu malli on tuotettu seuraavien direktiivien ja standardien mukaan.
- S** Undertecknad intygar att ovannämnda modell är producerad i överensstämmelse med följande direktiv och standarder.
- GR** Ο κάτωθι υπογεγραμμένος πιστοποιεί ότι η παραγωγή του προαναφερθέντος μοντέλου γίνεται σύμφωνα με τις ακόλουθες οδηγίες και πρότυπα.
- P** A presente assinatura serve para declarar que os modelos supramencionados são produtos em conformidade com as seguintes directivas e normas.
- LT** Toliau pateiktu dokumentu patvirtinama, kad minėtas modelis yra pagamintas laikantis nurodytų direktyvų bei standartų.
- PL** Niżej podpisany zaświadcza, że wymieniony powyżej model produkowany jest zgodnie z następującymi dyrektywami i normami.
- H** Alulirottak igazoljuk, hogy a fent említett modellt a következő irányelvek és szabványok alapján hoztuk létre.
- SK** Dolu podpísaný osvedčuje, že hore uvedený model sa vyrába v súlade s nasledujúcimi smernicami a normami.

EC Machinery Directive 98/37/EC
EC Low Voltage Directive 73/23/EEC, 93/68/EEC, 06/95/EEC
EC EMC Directive 89/336/EEC
EC Outdoor Noise Directive 2000/14/EC

EN 12100-1, EN 12100-2, EN 294, EN 349
EN 60335-1, EN 60335-2-72
EN 61000, EN 50366



12.7.2009

Year of Affixing the CE marking 2009

Don Legatt, Engineering Director
Nilfisk-Advance, Inc.
14600 21st Avenue North
Plymouth, MN 55447 USA

Nilfisk-Advance A/S
Sognevej 25
DK-2605 Brøndby, Denmark

Nilfisk-Advance A/S



Nilfisk
setting standards

Nilfisk-Advance A/S
Sognevej 25
DK-2605 Brøndby
Denmark
Tel: +45 43 23 81 00
Fax: +45 43 43 77 00

Download from www.Nilfisk.com or www.ManualsSearch.com

Free Manuals Download Website

<http://myh66.com>

<http://usermanuals.us>

<http://www.somanuals.com>

<http://www.4manuals.cc>

<http://www.manual-lib.com>

<http://www.404manual.com>

<http://www.luxmanual.com>

<http://aubethermostatmanual.com>

Golf course search by state

<http://golfingnear.com>

Email search by domain

<http://emailbydomain.com>

Auto manuals search

<http://auto.somanuals.com>

TV manuals search

<http://tv.somanuals.com>