

# NEC

## USB Handset

### UTR-1-1 (BK) Installation Guide

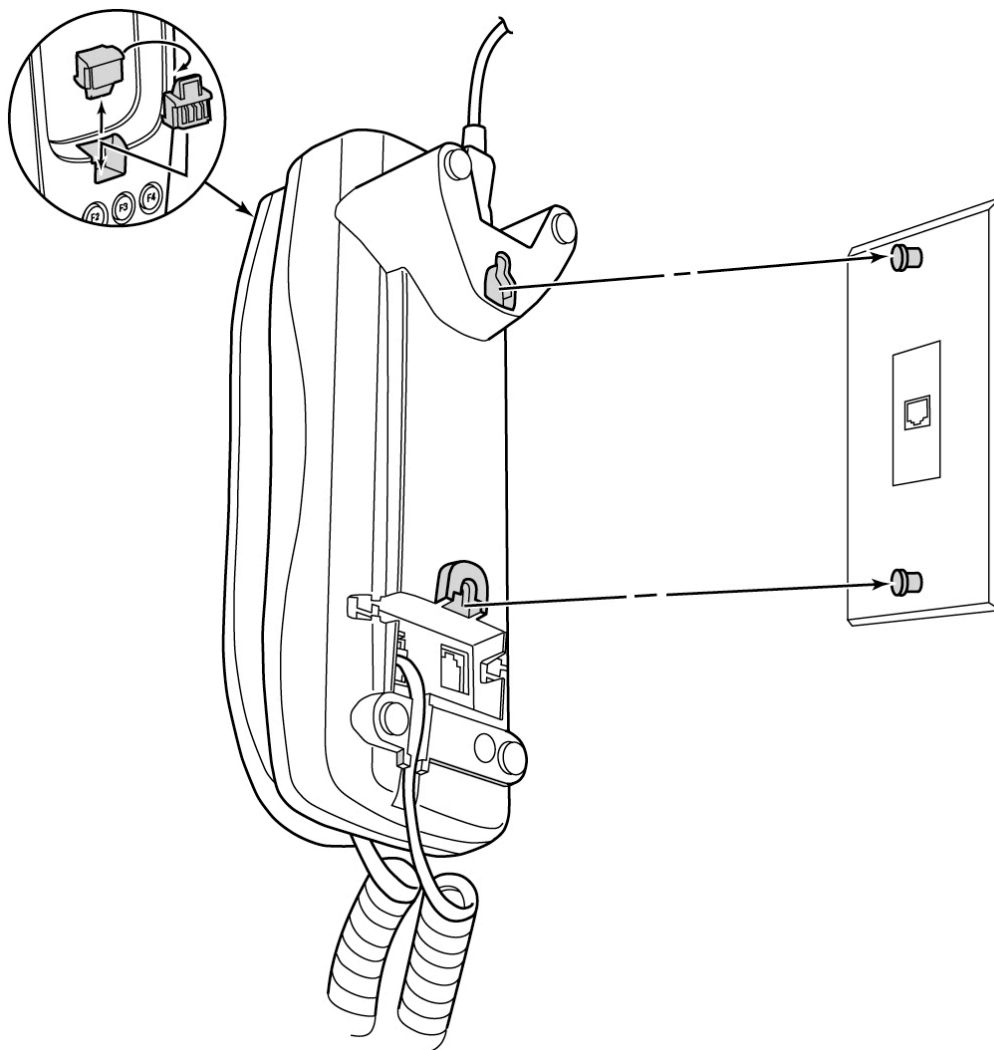
NEC Infrontia Corporation

2005.12 Ver:1.1

## Wall Mounting

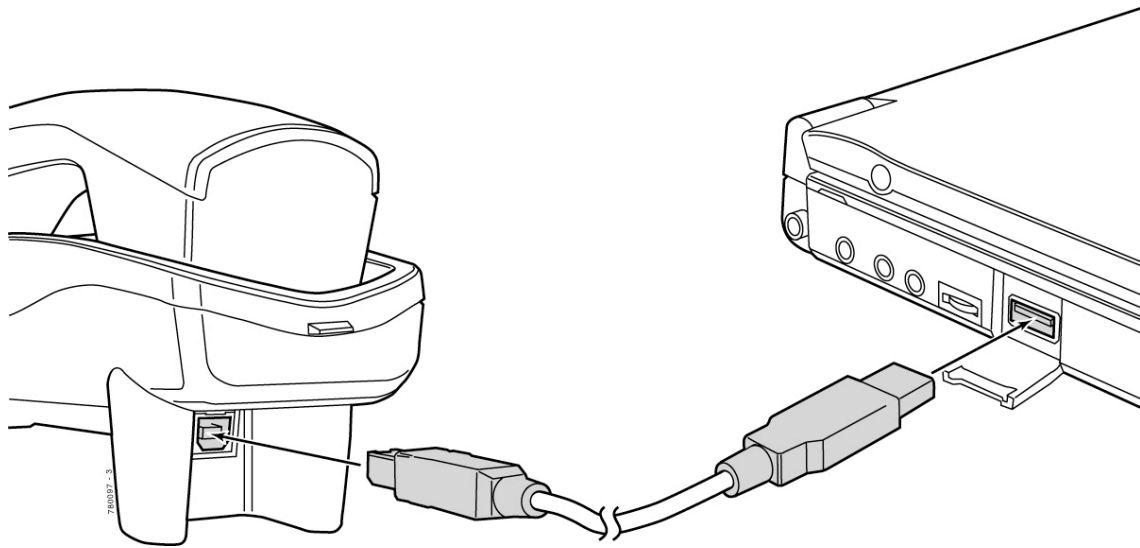
UTR-1-1 can be installed on the wall by using a wall plate. There are two wall mounting holes on the base of UTR-1-1. To hang the UTR-1-1, align the holes and slide it on the wall plate.

Remove handset hanger hook and rotate as illustrated below.



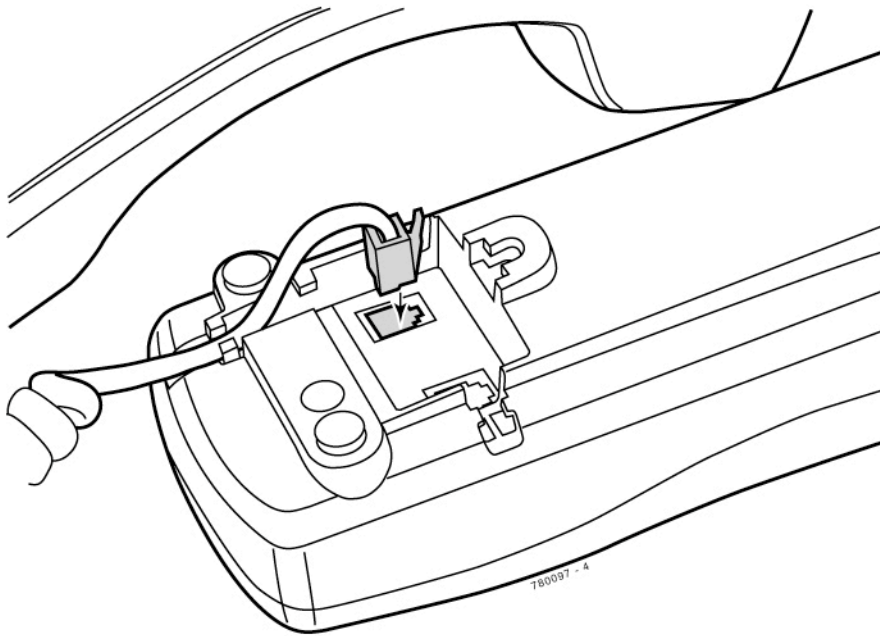
## USB Connection

Plug the USB cable (Type A connector) into the back of cradle and plug USB cable (Type B connector) into your PC's USB port.



## Handset Connection

Plug the handset connector (RJ-11) into the bottom of cradle. Route the handset cable in the handset groove.



## Free Manuals Download Website

<http://myh66.com>

<http://usermanuals.us>

<http://www.somanuals.com>

<http://www.4manuals.cc>

<http://www.manual-lib.com>

<http://www.404manual.com>

<http://www.luxmanual.com>

<http://aubethermostatmanual.com>

Golf course search by state

<http://golfingnear.com>

Email search by domain

<http://emailbydomain.com>

Auto manuals search

<http://auto.somanuals.com>

TV manuals search

<http://tv.somanuals.com>