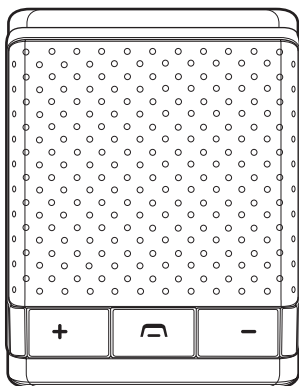


Nokia Speakerphone HF-300

User Guide



9203867
Issue 1 EN

DECLARATION OF CONFORMITY

Hereby, NOKIA CORPORATION declares that this HF-34W product is in compliance with the essential requirements and other relevant provisions of Directive 1999/5/EC. The product is in conformity with the limits defined in Directive 2004/104/EC (amending Directive 72/245/EEC), Annex I, paragraph 6.5, 6.6, 6.8 and 6.9.

A copy of the Declaration of Conformity can be found at http://www.nokia.com/phones/declaration_of_conformity/.

CE 0560

© 2007 Nokia. All rights reserved.

Reproduction, transfer, distribution or storage of part or all of the contents in this document in any form without the prior written permission of Nokia is prohibited.

Nokia and Nokia Connecting People are registered trademarks of Nokia Corporation. Other product and company names mentioned herein may be trademarks or tradenames of their respective owners.

Bluetooth is a registered trademark of Bluetooth SIG, Inc.

Nokia operates a policy of ongoing development. Nokia reserves the right to make changes and improvements to any of the products described in this document without prior notice.

Under no circumstances shall Nokia be responsible for any loss of data or income or any special, incidental, consequential or indirect damages howsoever caused.

The contents of this document are provided "as is". Except as required by applicable law, no warranties of any kind, either express or implied, including, but not limited to, the implied warranties of merchantability and fitness for a particular purpose, are made in relation to the accuracy, reliability or contents of this document. Nokia reserves the right to revise this document or withdraw it at any time without prior notice.

The availability of particular products may vary by region. Please check with the Nokia dealer nearest to you.

Unauthorized changes or modifications to this device may void the user's authority to operate the equipment.

Export Controls

This device may contain commodities, technology or software subject to export laws and regulations from the US and other countries. Diversion contrary to law is prohibited.

9203867 / Issue 1 EN

Contents

For your safety	4	Call handling.....	10
1. Introduction	5	Mount in a car	11
Bluetooth wireless technology	5	General safety instructions.....	11
2. Get started	6	Attach the clip to the sunvisor	11
Chargers and batteries.....	6	Fix the speakerphone to the clip.	12
Insert and charge the battery	6	Clear settings or reset.....	13
Switch on or off.....	8	4. Battery information	14
Pair the speakerphone.....	8	Charging and discharging.....	14
Disconnect the speakerphone	8	Care and maintenance	15
Reconnect the speakerphone	9	Additional safety	
3. Call handling	10	information	17
Adjust speaker volume	10		

For your safety

Read these simple guidelines. Not following them may be dangerous or illegal.



ROAD SAFETY COMES FIRST

Obey all local laws. Always keep your hands free to operate the vehicle while driving. Your first consideration while driving should be road safety.



INTERFERENCE

All wireless devices may be susceptible to interference, which could affect performance.

1. Introduction

With the Nokia Speakerphone HF-300 you can make and receive hands-free calls. You can connect the speakerphone to a compatible mobile device that supports Bluetooth wireless technology.

Read this user guide carefully before using the speakerphone. Also read the user guide for the device that you connect to the speakerphone, which provides important safety and maintenance information. Keep all accessories and enhancements out of reach of small children.

■ Bluetooth wireless technology

Bluetooth wireless technology allows you to connect compatible devices without cables. In a Bluetooth connection, the mobile device and the speakerphone should be within 10 meters (33 feet) of each other. Connections can be subject to interference from obstructions, such as other electronic devices.

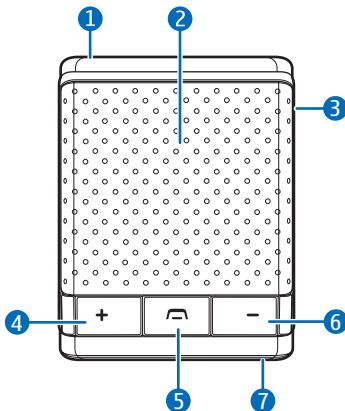
The speakerphone is compliant with the Bluetooth Specification 2.0 supporting the Hands-Free Profile 1.5. Check with the manufacturers of other devices to determine their compatibility with this device.

There may be restrictions on using Bluetooth technology in some locations. Check with your local authorities or service provider.

2. Get started

The speakerphone contains the following parts:

- Charger connector (1)
- Speaker (2)
- Power key (3)
- Volume up key (4)
- Answer/end key (5)
- Volume down key (6)
- Microphone (7)



Before using the speakerphone, you must charge the battery and pair the speakerphone with a compatible device.

Parts of the speakerphone are magnetic. Metallic materials may be attracted to the speakerphone. Do not place credit cards or other magnetic storage media near the speakerphone, because information stored on them may be erased.

■ Chargers and batteries

Check the model number of any charger before using it with this speakerphone. The speakerphone is intended for use with the AC-4, AC-5, and DC-4 chargers.



Warning: Use only batteries and chargers approved by Nokia for use with this particular enhancement. The use of any other types may invalidate any approval or warranty and may be dangerous.

When you disconnect the power cord of any enhancement, grasp and pull the plug, not the cord.

■ Insert and charge the battery

To insert the battery, do the following:

1. To remove the back cover, slide it toward the side of the speakerphone.
2. Align the contact area of the battery with the connectors on the speakerphone, and push the battery into place.
3. To replace the back cover, insert the catches on the cover into the corresponding slots in the speakerphone, and slide the back cover into the speakerphone until it snaps into place.

(To remove the battery, detach the back cover, and lift the battery from the end opposite to the contact area.)

To recharge the battery, do the following:

1. Connect the charger cable to the charger connector on the speakerphone.
2. Connect the charger to the power source. For example, connect the DC-4 charger to the cigarette lighter socket of your car or the AC-5 charger to a wall outlet.

If you use a charger that is connected to the cigarette lighter socket, power must be supplied by a 12-volt car battery. Ensure that the charger is properly inserted in the cigarette lighter socket and does not interfere with the normal operation of the car. In some car models, the cigarette lighter socket is powered by the car battery even when you remove the ignition key. In those cases, the car battery might be discharged even if the speakerphone is not used. Contact the vehicle manufacturer for more information.

The red indicator light is continuously on while charging. It may take a while before charging starts. If charging does not start, disconnect the charger, plug it in again, and retry. Charging the battery fully may take up to 2 hours and 30 minutes.

3. When the battery is fully charged, the red indicator light turns green. Disconnect the charger from the speakerphone and the power source.

The fully charged battery has power for up to 20 hours of talk time or up to 240 hours of standby time. However, the times may vary when used with different compatible Bluetooth devices, usage settings, usage styles, and environments.

When battery power is low, the red indicator light flashes slowly.

■ Switch on or off

To switch on, press and hold the power key until the speakerphone beeps and the green indicator light turns on. The indicator light flashes when the speakerphone tries to connect to a paired device. When the speakerphone is connected to a paired device and is ready for use, the blue indicator lights are displayed.

To switch off, press and hold the power key until all the indicator lights turn off. If the speakerphone is not connected to a paired device within about 5 minutes, it switches off automatically to save power.

■ Pair the speakerphone

1. Ensure that your mobile device is switched on, and switch on the speakerphone. The green indicator light flashes slowly.
2. Activate the Bluetooth feature on the mobile device, and set the device to search for Bluetooth devices. See the user guide of your device for instructions.
3. Select the speakerphone from the list of found devices.
4. Enter the Bluetooth passcode **0000** to pair and connect the speakerphone to your device. In some devices you may need to make the connection separately after pairing.

If pairing is successful, the speakerphone sounds a beep and appears in the menu of the mobile device where you can view the currently paired Bluetooth devices. When the speakerphone is connected with your mobile device, the blue indicator lights are displayed.

To pair and connect the speakerphone with a new device, disconnect the speakerphone from the current device, then pair and connect the new device.

Disconnect the speakerphone

To disconnect the speakerphone from your mobile device, do one of the following:

- Switch off the speakerphone.
- Disconnect the speakerphone in the Bluetooth menu of your device.
- Move the speakerphone more than 10 meters (33 feet) away from the device.

You do not need to delete pairing with the speakerphone to disconnect it.

Reconnect the speakerphone

To connect the speakerphone to your paired device, switch on the speakerphone, and press and hold the answer/end key; or make the connection in the Bluetooth menu of your device.

In your device, you may be able to allow the speakerphone to connect to it automatically when the speakerphone is switched on. To do this in Nokia devices, change your paired device settings in the Bluetooth menu.

3. Call handling

■ Adjust speaker volume

To adjust the speakerphone volume, use the volume keys on the speakerphone.



Warning: Do not hold the device near your ear when the loudspeaker is in use, because the volume may be extremely loud.

■ Call handling

To make a call, use your mobile device in the normal way when the speakerphone is connected to it. Speak toward the speakerphone microphone. For optimal performance, check that there are no objects in front of the microphone and that the microphone is in front of the user, not beneath or behind. The green indicator light is displayed during a call.

If your device supports last number redial with the speakerphone, press the answer/end key twice when no call is in progress.

If your device supports voice dialing with the speakerphone, press and hold the answer/end key when no call is in progress, and proceed as described in the user guide of your device.

When you receive a call, you hear a ringing tone through the speaker on the speakerphone, and the green indicator light flashes. To answer the call, press the answer/end key, or use the device keys. To reject an incoming call, press the answer/end key twice.

To end a call, press the answer/end key, or use the device keys.

To switch the active call between the speakerphone and your device, press and hold the answer/end key.

To mute or unmute the microphone during a call, briefly press the power key.

■ Mount in a car

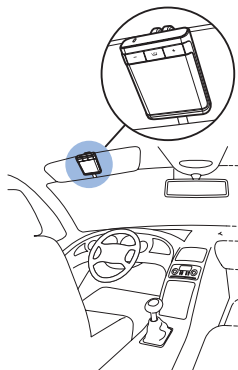
You can attach the speakerphone to the sunvisor of your car using the supplied clip.

General safety instructions

When you install the speakerphone in a car, ensure that it does not interfere with or hinder the systems used in the operation of the vehicle (for example, airbags) or disturb your field of vision while driving.

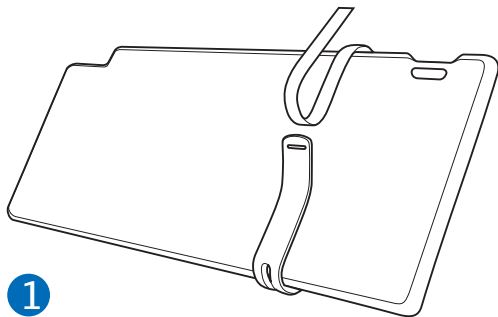
Check that the deployment of the airbags is not blocked or impaired in any way. Only operate the speakerphone if it is safe to do so under all driving conditions.

To use the speakerphone when it is attached to the sunvisor, ensure that the sunvisor is up at the car roof.

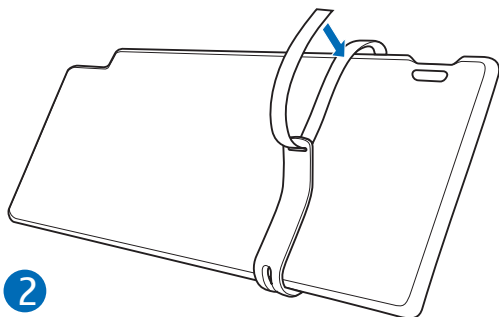


Attach the clip to the sunvisor

Slide the clip around the sunvisor from the driver's or passenger's side so that the "OPEN" text is on the top of the sunvisor, and wrap the strap attached to the clip around the sunvisor from the back (1).

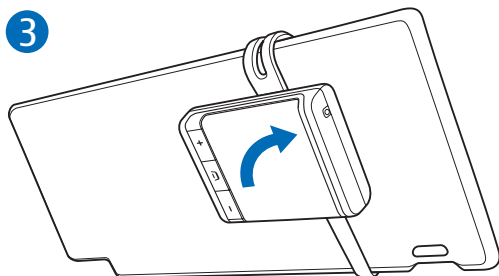


Thread the strap through the slot on the clip. Tighten the strap to keep the speakerphone securely in place, and firmly press the hook and loop end of the strap against the felt on the strap (2).



Fix the speakerphone to the clip

Align the speakerphone sidewise with the clip so that the hole located at the back of the speakerphone is facing the catch on the clip. Insert the catch into the hole, and turn the speakerphone clockwise until it locks into place (3). (To detach the speakerphone, turn it counterclockwise.)



Fold the sunvisor up against the car roof.

■ Clear settings or reset

To clear the pairing settings from the speakerphone, press and hold the answer/end key and the volume up key at the same time for about 10 seconds. When the settings have been cleared, the indicator light alternates red and green.

To reset the speakerphone if it stops functioning, although it is charged, press the answer/end key and the power key at the same time. The speakerphone switches off. To use the speakerphone, reconnect it to your mobile device. The reset does not clear the pairing settings.

4. Battery information

■ Charging and discharging

Your device is powered by a rechargeable battery. The battery can be charged and discharged hundreds of times, but it will eventually wear out. When the talk and standby times are noticeably shorter than normal, replace the battery. Use only Nokia approved batteries, and recharge your battery only with Nokia approved chargers designated for this device.

If a replacement battery is being used for the first time or if the battery has not been used for a prolonged period, it may be necessary to connect the charger, then disconnect and reconnect it to begin charging the battery.

Unplug the charger from the electrical plug and the device when not in use. Do not leave a fully charged battery connected to a charger, since overcharging may shorten its lifetime. If left unused, a fully charged battery will lose its charge over time.

Use the battery only for its intended purpose. Never use any charger or battery that is damaged.

Do not short-circuit the battery. Accidental short-circuiting can occur when a metallic object such as a coin, clip, or pen causes direct connection of the positive (+) and negative (-) terminals of the battery. (These look like metal strips on the battery.) This might happen, for example, when you carry a spare battery in your pocket or purse. Short-circuiting the terminals may damage the battery or the connecting object.

Leaving the device in hot or cold places, such as in a closed car in summer or winter conditions, will reduce the capacity and lifetime of the battery. Always try to keep the battery between 15°C and 25°C (59°F and 77°F). A device with a hot or cold battery may not work temporarily, even when the battery is fully charged. Battery performance is particularly limited in temperatures well below freezing.

Do not dispose of batteries in a fire as they may explode. Batteries may also explode if damaged.

Do not dismantle or shred cells or batteries. In the event of a battery leak, do not allow the liquid to come in contact with the skin or eyes. In the event of such a leak, flush your skin or eyes immediately with water, or seek medical help.

Care and maintenance

Your device is a product of superior design and craftsmanship and should be treated with care. The following suggestions will help you protect your warranty coverage.

- Keep the device dry. Precipitation, humidity, and all types of liquids or moisture can contain minerals that will corrode electronic circuits. If your device does get wet, remove the battery, and allow the device to dry completely before replacing it.
- Do not use or store the device in dusty, dirty areas. Its moving parts and electronic components can be damaged.
- Do not store the device in hot areas. High temperatures can shorten the life of electronic devices, damage batteries, and warp or melt certain plastics.
- Do not store the device in cold areas. When the device returns to its normal temperature, moisture can form inside the device and damage electronic circuit boards.
- Do not attempt to open the device other than as instructed in this guide.
- Do not drop, knock, or shake the device. Rough handling can break internal circuit boards and fine mechanics.
- Do not use harsh chemicals, cleaning solvents, or strong detergents to clean the device.
- Do not paint the device. Paint can clog the moving parts, microphone, or speaker and prevent proper operation.

These suggestions apply equally to your device, battery, charger, or any enhancement. If any device is not working properly, take it to the nearest authorized service facility for service.



Disposal

The crossed-out wheeled-bin symbol on your product, literature, or packaging reminds you that in the European Union all electrical and electronic products, batteries, and accumulators must be taken to separate collection at the end of their working life. Do not dispose of these products as unsorted municipal waste.

Return the products to collection to prevent possible harm to the environment or human health from uncontrolled waste disposal and to promote the sustainable reuse of material resources. Collection information is available from the product retailer, local waste authorities, national producer responsibility organizations,

Care and maintenance

or your local Nokia representative. For more information, see product Eco-Declaration or country-specific information at www.nokia.com.

Additional safety information

■ Vehicles

RF signals may affect improperly installed or inadequately shielded electronic systems in motor vehicles such as electronic fuel injection systems, electronic antiskid (antilock) braking systems, electronic speed control systems, and air bag systems. For more information, check with the manufacturer or its representative of your vehicle or any equipment that has been added.

Faulty installation or service may be dangerous and may invalidate any warranty that may apply to the device. Check regularly that all wireless device equipment in your vehicle is mounted and operating properly. Do not store or carry flammable liquids, gases, or explosive materials in the same compartment as the device, its parts, or enhancements. For vehicles equipped with an air bag, remember that air bags inflate with great force. Do not place objects, including installed or portable wireless equipment in the area over the air bag or in the air bag deployment area. If in-vehicle wireless equipment is improperly installed and the air bag inflates, serious injury could result.

Free Manuals Download Website

<http://myh66.com>

<http://usermanuals.us>

<http://www.somanuals.com>

<http://www.4manuals.cc>

<http://www.manual-lib.com>

<http://www.404manual.com>

<http://www.luxmanual.com>

<http://aubethermostatmanual.com>

Golf course search by state

<http://golfingnear.com>

Email search by domain

<http://emailbydomain.com>

Auto manuals search

<http://auto.somanuals.com>

TV manuals search

<http://tv.somanuals.com>