

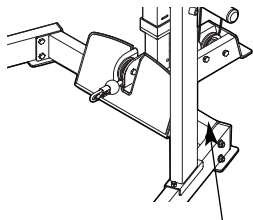
# NordicTrack®

## STRENGTH SPOTTER RACK

Model No. NTB39020

Serial No. \_\_\_\_\_

Write the serial number in the space above for future reference.



Serial Number Decal

## USER'S MANUAL

### QUESTIONS?

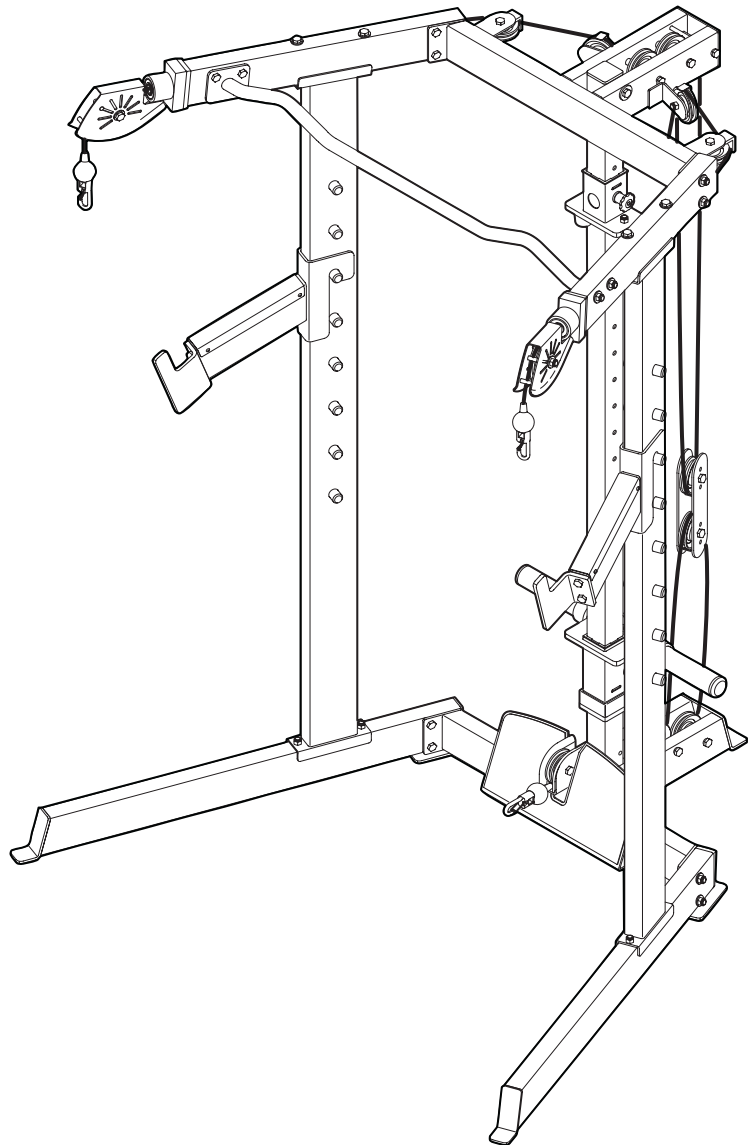
As a manufacturer, we are committed to providing complete customer satisfaction. If you have questions, or if there are missing or damaged parts, we will guarantee complete satisfaction through direct assistance from our factory.

**TO AVOID DELAYS, PLEASE CALL DIRECT TO OUR TOLL-FREE CUSTOMER HOT LINE.** The trained technicians on our customer hot line will provide immediate assistance, free of charge.

**CUSTOMER HOT LINE:**

**1-888-825-2588**

Mon.–Fri., 6 a.m.–6 p.m. MST



### CAUTION

Read all precautions and instructions in this manual before using this equipment. Save this manual for future reference.



Visit our website at

[www.nordictrack.com](http://www.nordictrack.com)

*new products, prizes,  
fitness tips, and much more!*

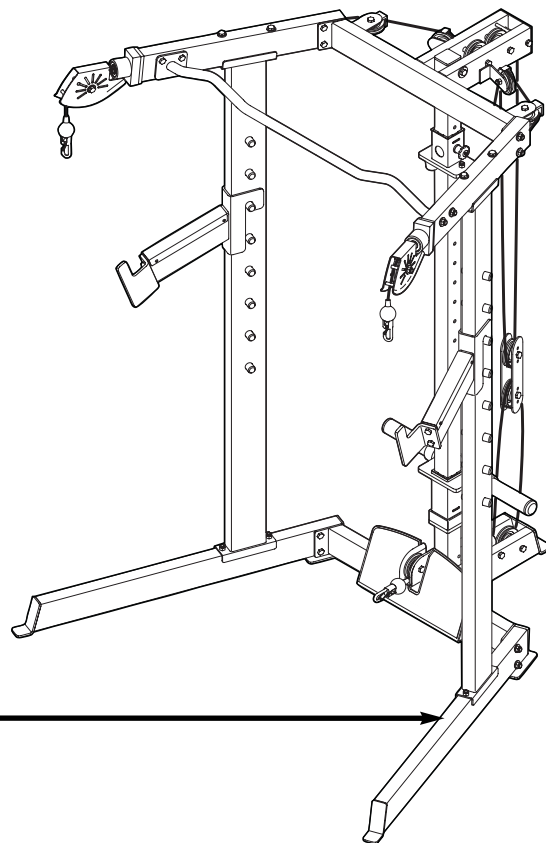
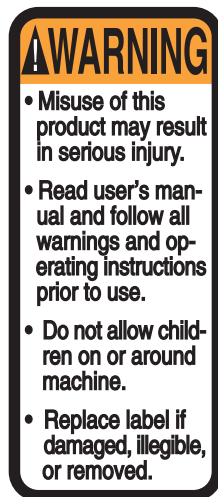
# TABLE OF CONTENTS

WARNING DECAL PLACEMENT .....	2
IMPORTANT PRECAUTIONS .....	3
BEFORE YOU BEGIN .....	4
ASSEMBLY .....	5
ADJUSTMENTS .....	13
CABLE DIAGRAM .....	15
ORDERING REPLACEMENT PARTS .....	Back Cover
LIMITED WARRANTY .....	Back Cover

Note: A PART IDENTIFICATION CHART and a PART LIST/EXPLODED DRAWING are attached in the center of this manual. Remove the PART IDENTIFICATION CHART and PART LIST/EXPLODED DRAWING before beginning assembly.

## WARNING DECAL PLACEMENT

The decal shown here has been placed on the weight rack. If the decal is missing or illegible, please call our Customer Service Department toll-free at 1-888-825-2588, Monday through Friday, 6 a.m. until 6 p.m. Mountain Time, to order a free replacement decal. Apply the decal in the location shown.



# IMPORTANT PRECAUTIONS

**⚠️ WARNING:** To reduce the risk of serious injury, read the following important precautions before using the weight rack.

1. Read all instructions in this manual before using the weight rack. Use the weight rack only as described in this manual.
2. It is the responsibility of the owner to ensure that all users of the weight rack are adequately informed of all precautions.
3. The weight rack is intended for home use only. Do not use the weight rack in any commercial, rental, or institutional setting.
4. Use the weight rack only on a level surface. Cover the floor beneath the weight rack to protect the floor.
5. Make sure all parts are properly tightened each time you use the weight rack. Replace any worn parts immediately.
6. Keep children under 12 and pets away from the weight rack at all times.
7. Keep hands and feet away from moving parts.
8. Always wear athletic shoes for foot protection while exercising.
9. Make sure that the cables remain on the pulleys at all times. If the cables bind as you are exercising, stop immediately and make sure that the cables are on the pulleys.
10. Always set both weight rests at the same height.
11. The weight rack is designed to support a maximum of 310 pounds, including the barbell, on the weight rest arms. Do not place more than 150 pounds on the weight carriage. Note: The weight rack is designed to be used with an Olympic barbell. The weight rack does not include a barbell or weights.
12. Always place an equal amount of weight on each side of the weight carriage or barbell.
13. Always secure the weights with the weight clips when they are mounted on the weight carriage.
14. Always exercise with a partner. Your partner should be ready to catch the barbell if you cannot complete a repetition.
15. Always disconnect the barbell from the Long Cable when performing an exercise that does not require it. The barbell could be lifted off the weight rest arms and fall.
16. If you feel pain or dizziness at any time while exercising, stop immediately and begin cooling down.

**⚠️ WARNING:** Before beginning this or any exercise program, consult your physician. This is especially important for persons over the age of 35 or persons with pre-existing health problems. Read all instructions before using. ICON assumes no responsibility for personal injury or property damage sustained by or through the use of this product.

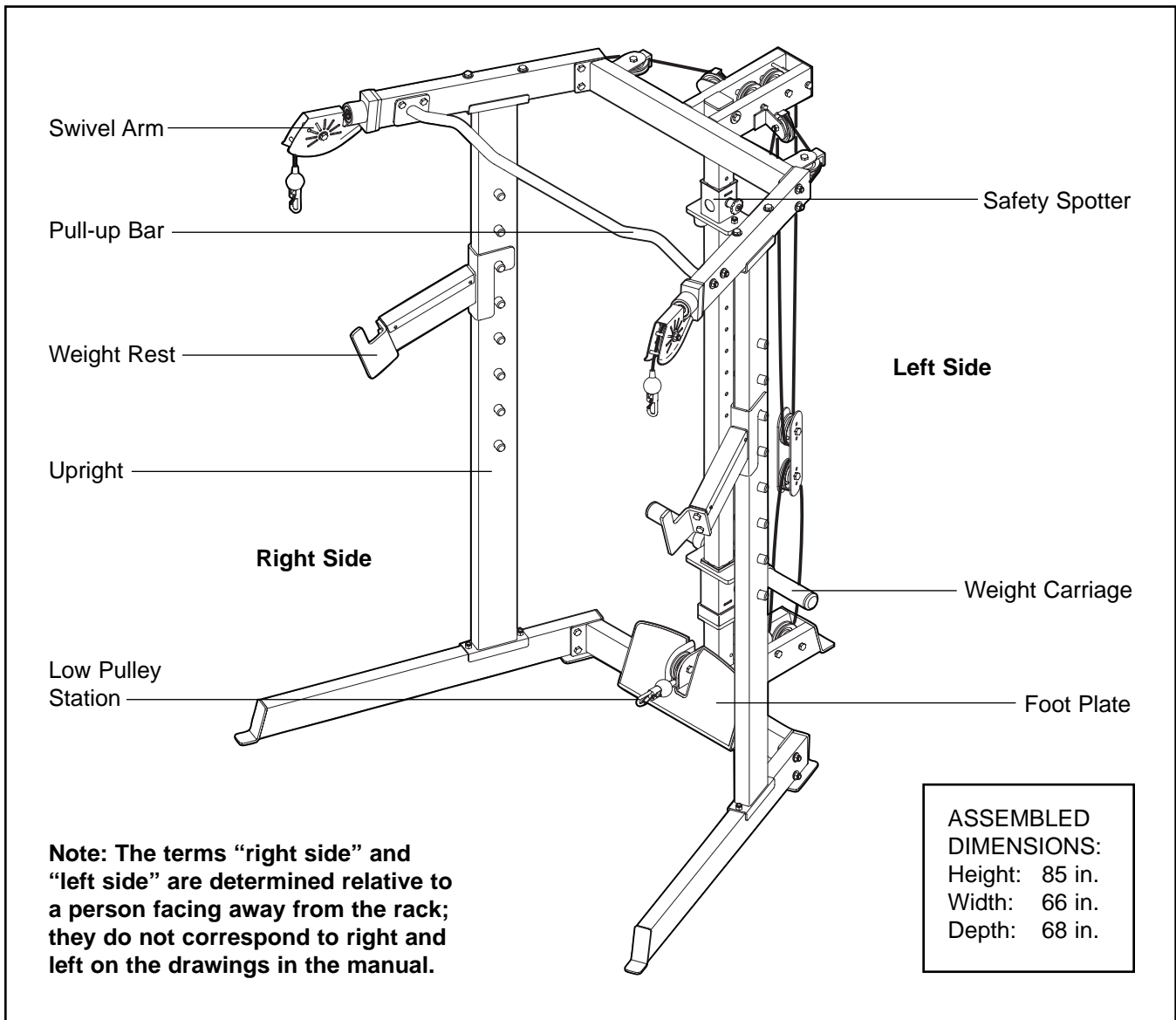
# BEFORE YOU BEGIN

Thank you for selecting the versatile NordicTrack® STRENGTH SPOTTER RACK weight rack. The weight rack offers a selection of weight stations designed to develop every major muscle group of the body. Whether your goal is to tone your body, build dramatic muscle size and strength, or improve your cardiovascular system, the weight rack will help you to achieve the specific results you want.

**For your benefit, read this manual carefully before using the weight rack.** If you have additional questions, please call our Customer Service Department

toll-free at 1-888-825-2588, Monday through Friday, 6 a.m. until 6 p.m. Mountain Time (excluding holidays). To help us assist you, please note the product model number and serial number before calling. The model number is NTB39020. The serial number can be found on a decal attached to the weight rack (see the front cover of this manual).

Before reading further, please review the drawing below and familiarize yourself with the parts that are labeled.



# ASSEMBLY

## Make Things Easier for Yourself

Everything in this manual is designed to ensure that the weight rack can be assembled successfully by anyone. However, it is important to realize that the versatile weight rack has many parts and that the assembly process will take time. Most people find that by setting aside plenty of time, assembly will go smoothly.





**Before beginning assembly, carefully read the following information and instructions:**

- Assembly requires two people.
- Place all parts in a cleared area and remove the packing materials. Do not dispose of the packing materials until assembly is completed.
- Tighten all parts as you assemble them, unless instructed to do otherwise.

- As you assemble the weight rack, make sure all parts are oriented as shown in the drawings.

- **For help identifying small parts, use the PART IDENTIFICATION CHART.**

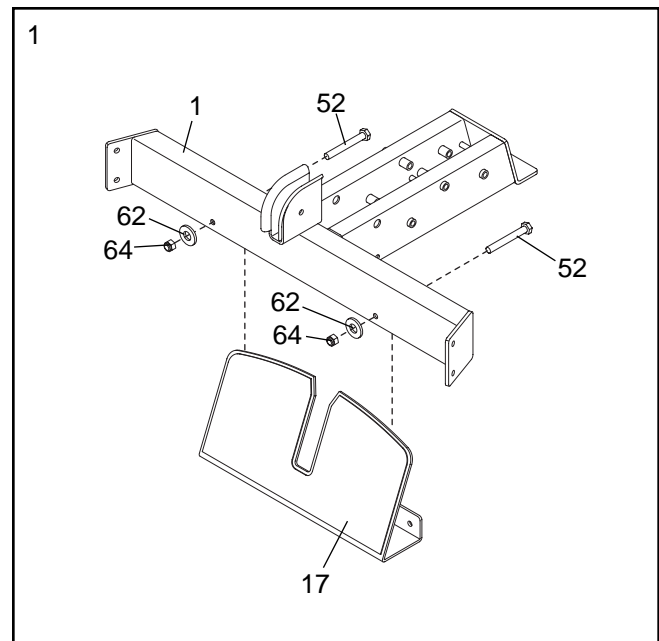
The included Allen wrenches and the following tools (not included) are required for assembly:

- **Two adjustable wrenches** 
- **One rubber mallet** 
- **One standard screwdriver** 
- **One Phillips screwdriver** 
- **Lubricant, such as grease or petroleum jelly, and soapy water.**

Assembly will be more convenient if you have a socket set, a set of open-end or closed-end wrenches, or a set of ratchet wrenches.

1. **Before beginning assembly, make sure you understand the information in the box above.**

Attach the Foot Plate (17) to the Base Frame (1) with two M10 x 70mm Button Head Bolts (52), two M10 Washers (62), and two M10 Nylon Locknuts (64).



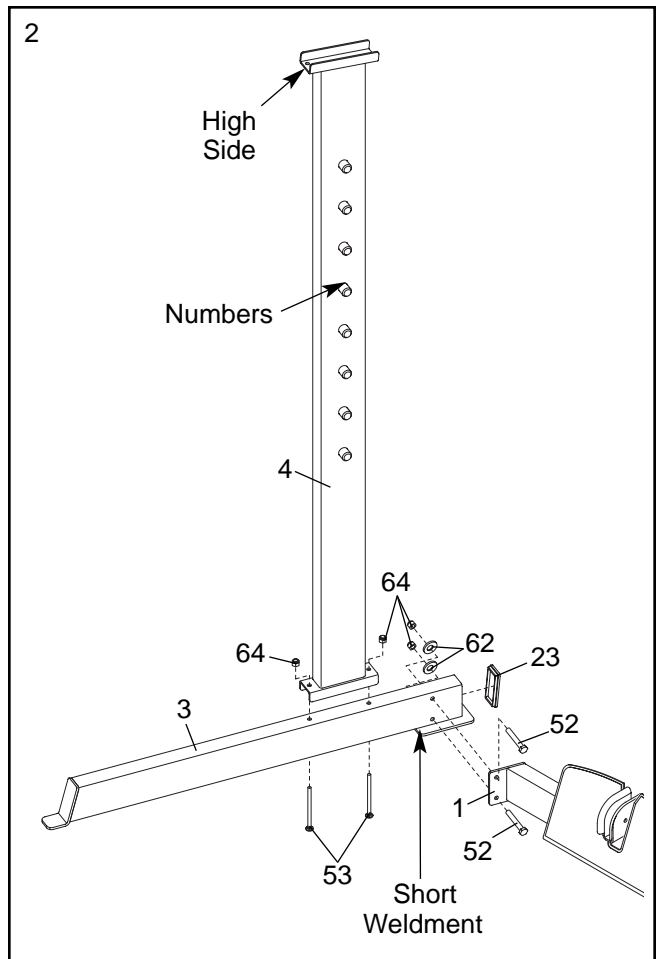
- Press a 50mm x 100mm Cap (23) into the Right Frame (3). Insert two M10 x 116mm Carriage Bolts (53) up into the Right Frame. **Note: The Right Frame has a short weldment in the indicated location; the other side has a long weldment.**

Attach the Right Frame (3) to the Base Frame (1) with two M10 x 70mm Button Head Bolts (52), two M10 Washers (62), and two M10 Nylon Locknuts (64). **Do not tighten the Locknuts yet.**

**Attach the Left Frame (not shown) to the Base Frame (1) in the same manner.**

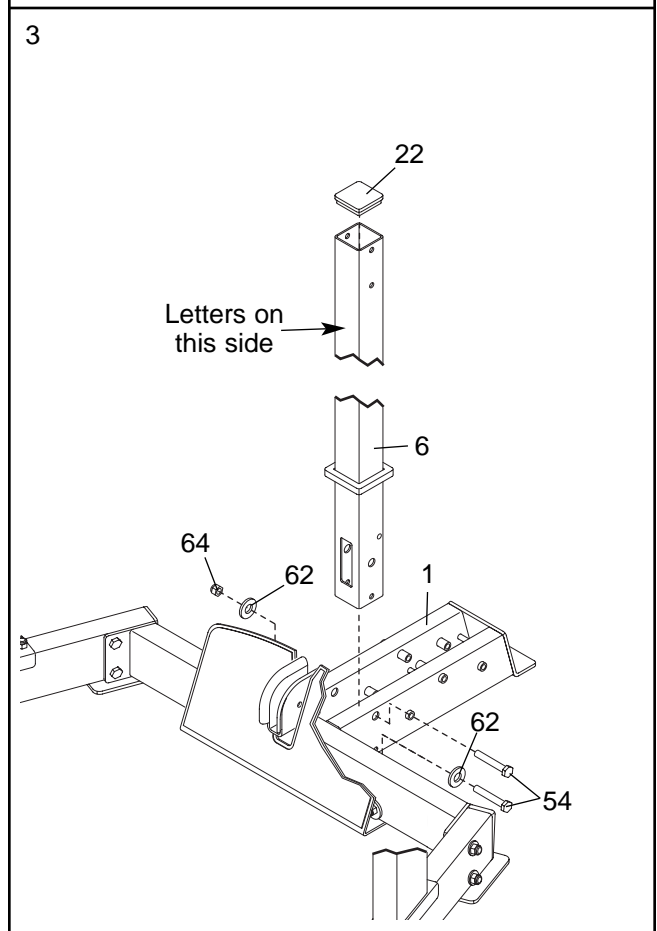
Orient an Upright (4) as shown. Attach the Upright to the Right Frame (3) with the two M10 x 116mm Carriage Bolts (53) and two M10 Nylon Locknuts (64). **Do not tighten the Locknuts yet.**

**Attach the other Upright (not shown) to the Left Frame (not shown) in the same manner.**



- Make sure there is a 60mm Square Cap (22) in the top of the Center Upright (6).

Orient the Center Upright (6) so that the letters are on the indicated side. Attach the Center Upright to the Base Frame (1) with two M10 x 152mm Button Head Bolts (54), two M10 Washers (62), and an M10 Nylon Locknut (64). **Make sure the Washers and Locknut are on the lower Bolt. Do not tighten the Locknut yet.**



- Slide two Weight Stops (28) onto the Weight Carriage (11). Press two Carriage Endcaps (27) into the ends of the weight tube on the Weight Carriage.

Slide the Carriage Stop (24) onto the Center Upright (6). Slide the Weight Carriage (11) onto the Center Upright, with the weight tube on the side opposite the letters.

- Turn the Knob (32) counterclockwise. Pull the Knob out as far as it will go and slide the Safety Spotter (12) onto the Center Upright (6) so that the hole is on the same side as the letters. Engage the Knob into an adjustment hole in the Upright.

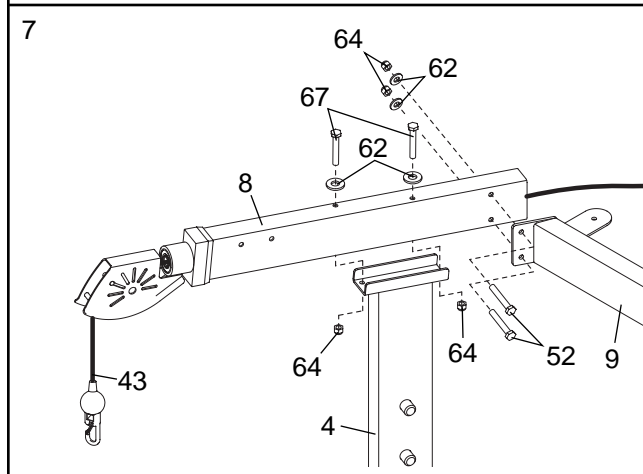
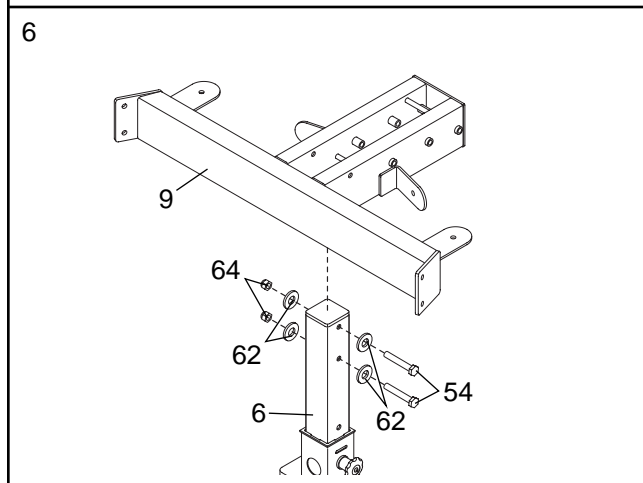
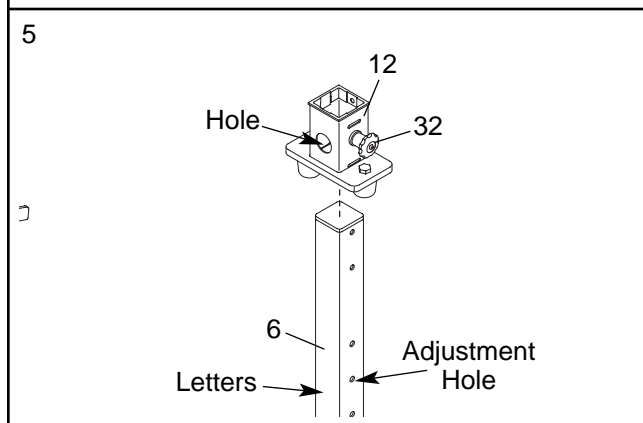
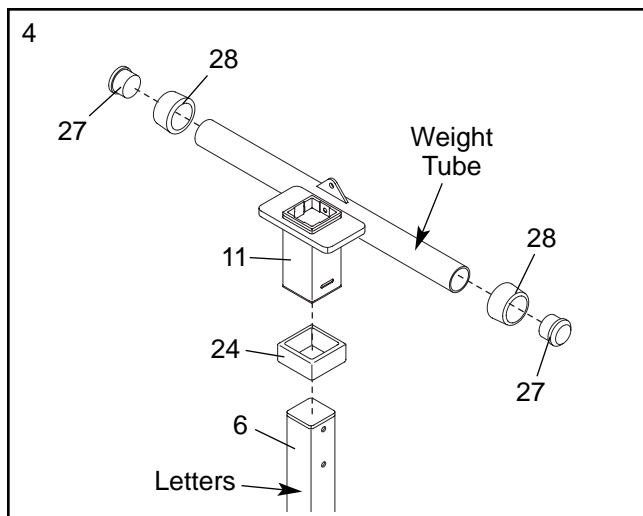
- Attach the Center Top Frame (9) to the Center Upright (6) with two M10 x 152mm Button Head Bolts (54), four M10 Washers (62), and two M10 Nylon Locknuts (64). **Do not tighten the Locknuts yet.**

- Locate the Long Cable (43)**, which is inserted through the Left and Right Top Frames (7, 8). Make sure that the Cable is free of any ties. **During this step, make sure the Cable hangs behind the Center Upright (not shown).**

**Have a second person pull on the Long Cable (43) at both ends of the Right Top Frame (8), so that it is in the center of the Frame.** Attach the Right Top Frame to the right Upright (4) with two M10 x 118mm Button Head Bolts (67), two M10 Washers (62), and two M10 Nylon Locknuts (64). **Do not tighten the Locknuts yet.**

Attach the Right Top Frame (8) to the Center Top Frame (9) with two M10 x 70mm Button Head Bolts (52), two M10 Washers (62), and two M10 Nylon Locknuts (64). **Do not tighten the Locknuts yet.**

**Make sure that when the Long Cable (43) is tight, it is centered in the Right Top Frame (8) and does not touch any of the Bolts used in this step. Repeat this step with the Left Top Frame (not shown).**



8. Attach the Pull-up Bar (10) to the Right Top Frame (8) with two M10 x 70mm Button Head Bolts (52), two M10 Washers (62), and two M10 Nylon Locknuts (64). **Do not tighten the Locknuts yet.**

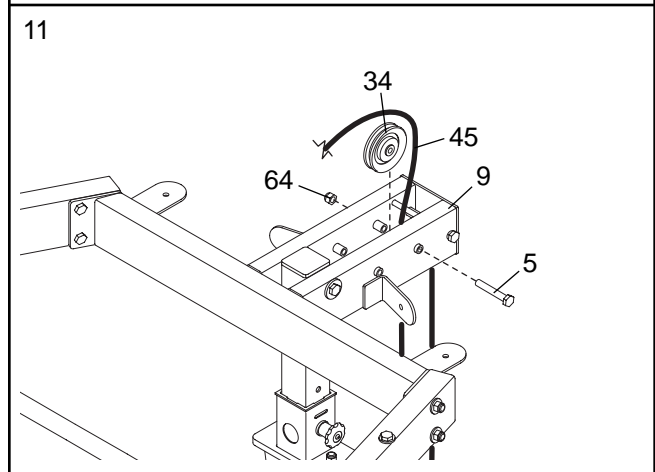
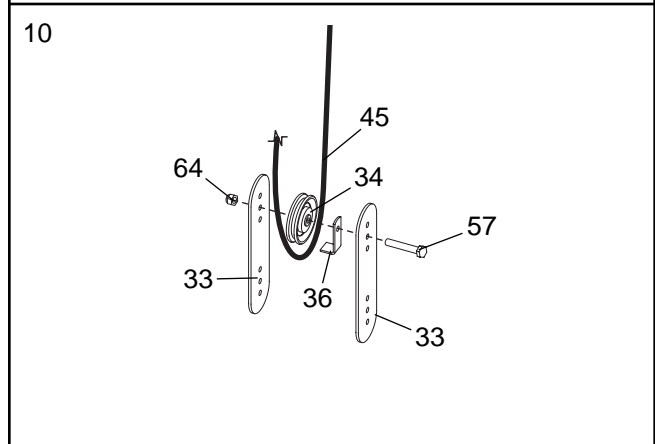
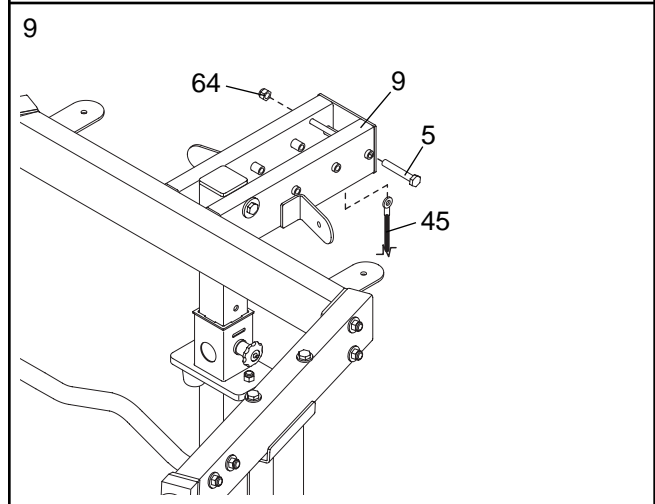
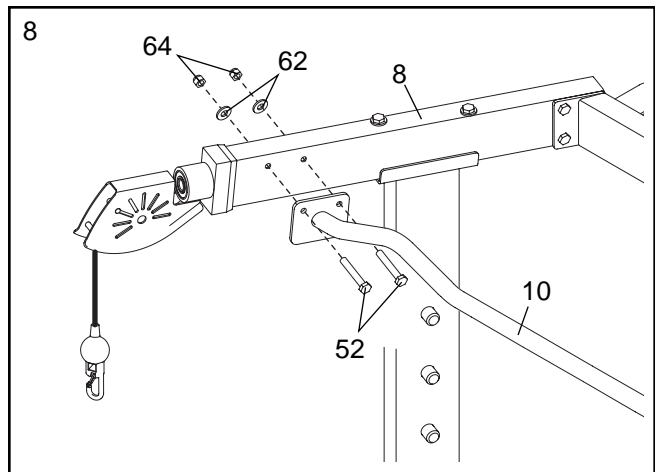
Repeat this step with the Left Top Frame (not shown).

Tighten the M10 Nylon Locknuts (64) used in steps 2–8.

9. **Locate the Medium Cable (45)**, which has an eyelet on each end. Attach the Cable inside the Center Top Frame (9) with an M10 x 165mm Button Head Bolt (5) and an M10 Nylon Locknut (64).

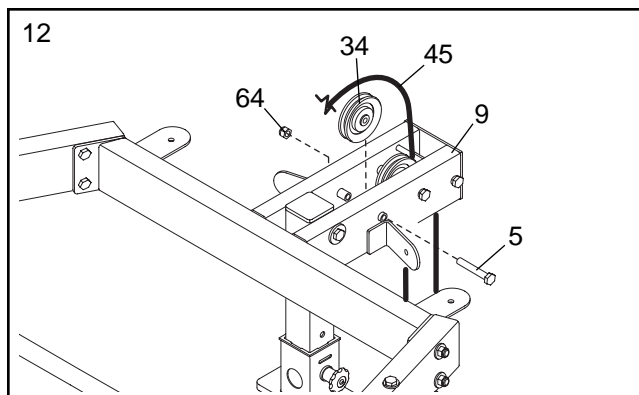
10. Wrap the Medium Cable (45) under a 3 1/2" Pulley (34). Attach the Pulley and a Cable Trap (36) between the second set of holes from the top of the pair of Pulley Plates (33) with an M10 x 50mm Button Head Bolt (57) and an M10 Nylon Locknut (64). **Make sure the Cable Trap is oriented to hold the Cable in the groove of the Pulley.**

11. Wrap the Medium Cable (45) over a 3 1/2" Pulley (34), as shown. Attach the Pulley inside the Center Top Frame (9) with an M10 x 165mm Button Head Bolt (5) and an M10 Nylon Locknut (64).

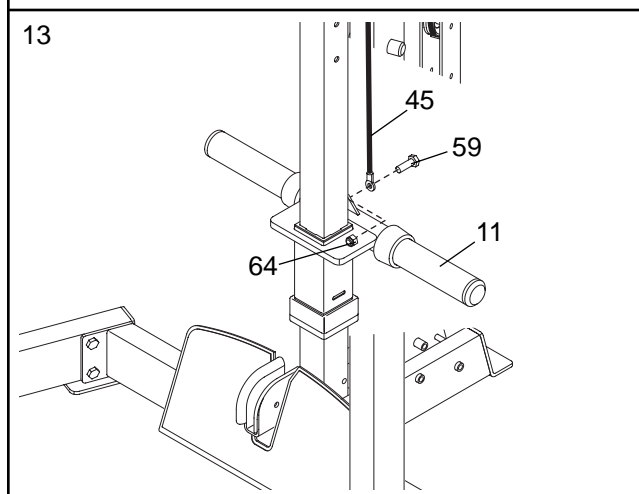




12. Wrap the Medium Cable (45) over another 3 1/2" Pulley (34). Attach the Pulley inside the Center Top Frame (9) with an M10 x 165mm Button Head Bolt (5) and an M10 Nylon Locknut (64).

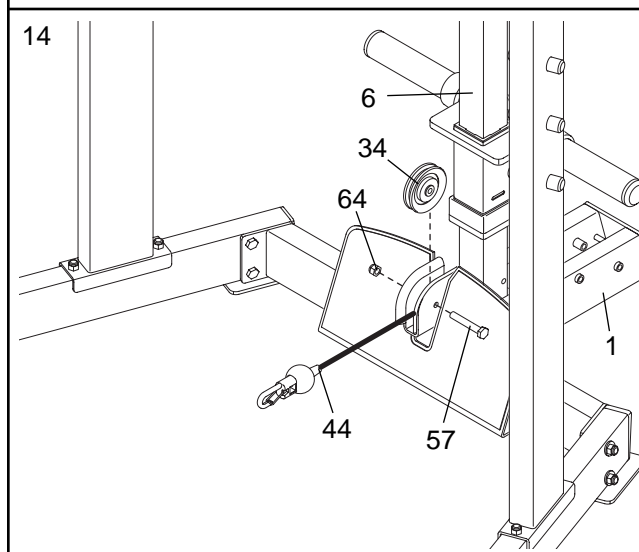


13. Attach the end of the Medium Cable (45) to the Weight Carriage (11) with an M10 x 22mm Button Head Bolt (59) and an M10 Nylon Locknut (64).



14. **Locate the Short Cable (44).** Route the Cable through the bracket on the Base Frame (1) and the hole in the Center Upright (6).

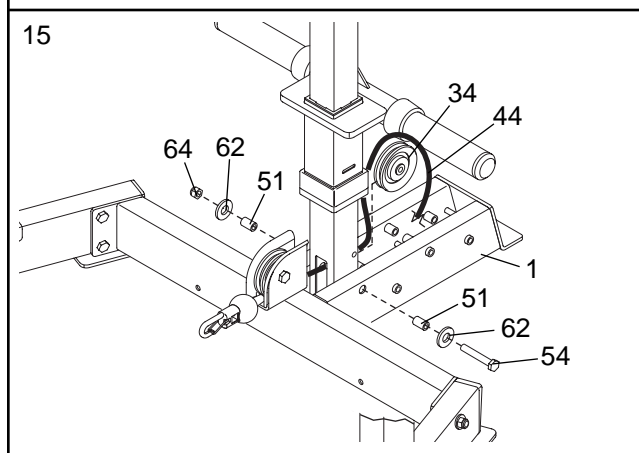
Attach a 3 1/2" Pulley (34) inside the bracket on the Base Frame (1), over the Short Cable (44), with an M10 x 50mm Button Head Bolt (57) and an M10 Nylon Locknut (64).



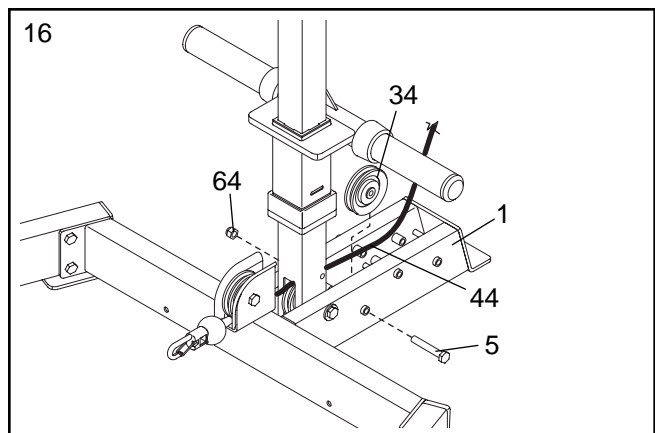
15. **Note: For clarity, the Foot Plate (17) is not shown in the following steps.**

**Remove the upper M10 x 152mm Button Head Bolt (54) used in step 3.**

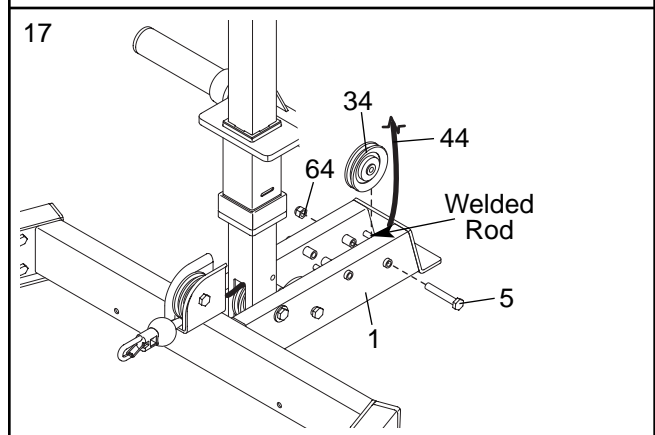
Wrap the Short Cable (44) over a 3 1/2" Pulley (34). Attach the Pulley inside the Center Upright (6) with the M10 x 152mm Button Head Bolt (54), two M10 Washers (62), two Long Spacers (51), and an M10 Nylon Locknut (64).



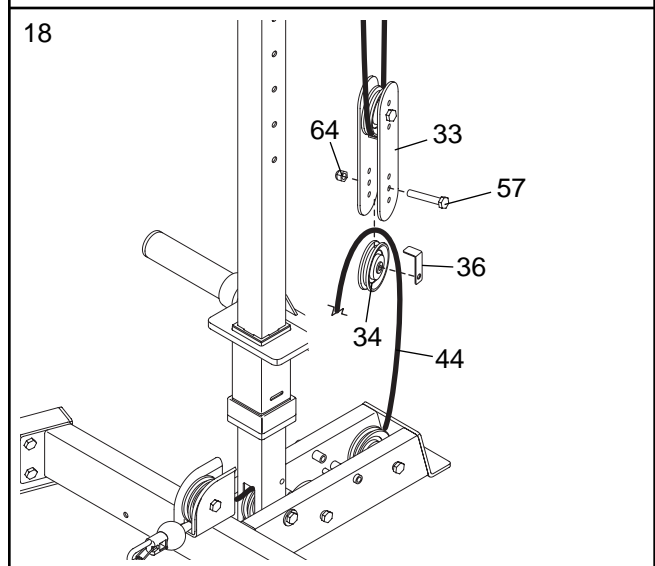
16. Wrap the Short Cable (44) under a 3 1/2" Pulley (34). Attach the Pulley inside the Base Frame (1) with an M10 x 165mm Button Head Bolt (5) and an M10 Nylon Locknut (64).



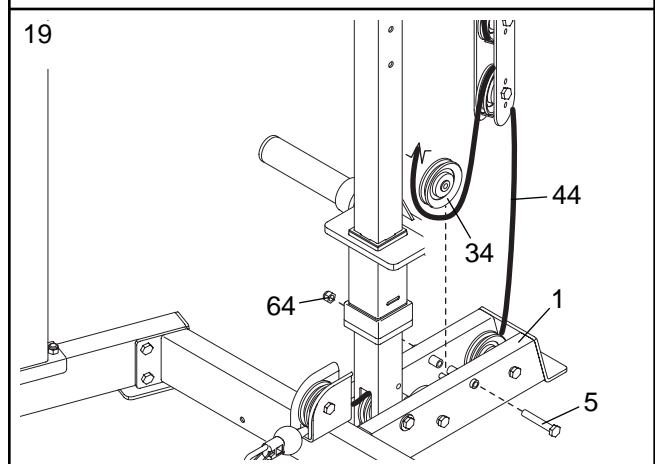
17. Wrap the Short Cable (44) under a 3 1/2" Pulley (34). Attach the Pulley inside the Base Frame (1) with an M10 x 165mm Button Head Bolt (5) and an M10 Nylon Locknut (64). **Make sure the Cable is between the Pulley and the welded rod inside the Base Frame.**



18. Wrap the Short Cable (44) over a 3 1/2" Pulley (34). Attach the Pulley and a Cable Trap (36) between the second set of holes from the bottom of the pair of Pulley Plates (33) with an M10 x 50mm Button Head Bolt (57) and an M10 Nylon Locknut (64). **Make sure the Cable Trap is oriented to hold the Cable in the groove of the Pulley.**



19. Wrap the Short Cable (44) under a 3 1/2" Pulley (34). Attach the Pulley inside the Base Frame (1) with an M10 x 165mm Button Head Bolt (5) and an M10 Nylon Locknut (64).



20. Thread an M6 Nut (71) onto the Short Cable (44). Attach the end of the Short Cable to the "U"-bracket (37) with an M6 Washer (63) and an M6 Nylon Locknut (66).

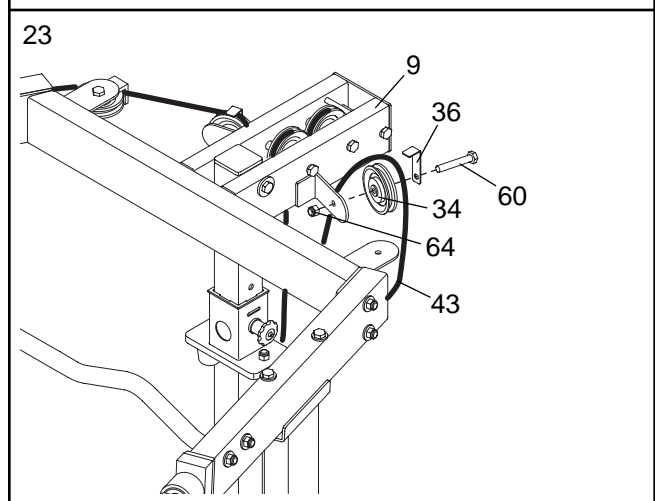
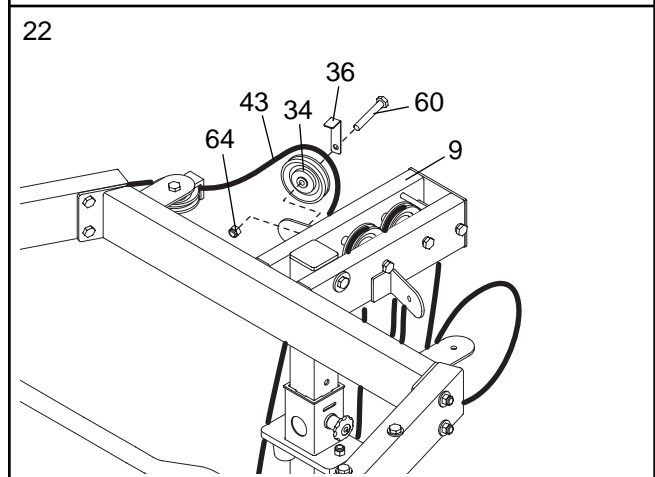
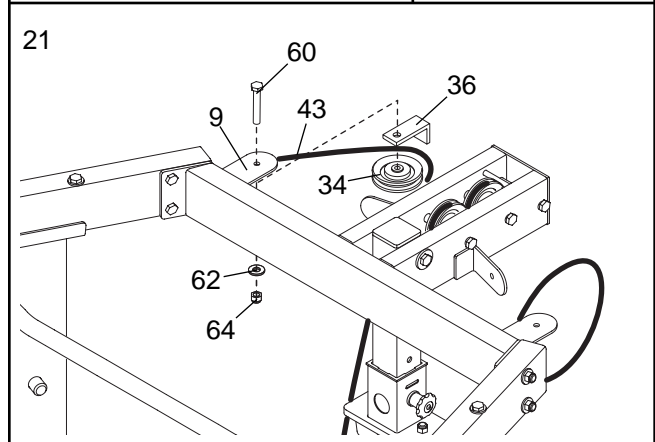
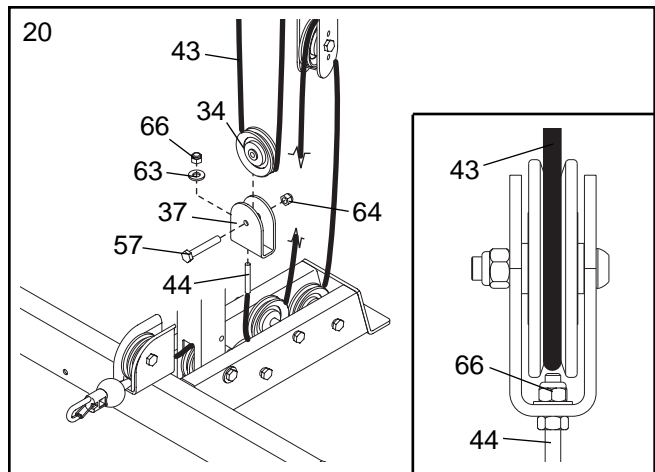
Wrap the Long Cable (43) under a 3 1/2" Pulley (34). Attach the Pulley inside the "U"-bracket (37) with an M10 x 50mm Button Head Bolt (57) and an M10 Nylon Locknut (64).

**See the inset drawing.** The M6 Nylon Locknut (66) should be threaded onto the Short Cable (44) so that the end of the Short Cable is nearly touching the Long Cable (43).

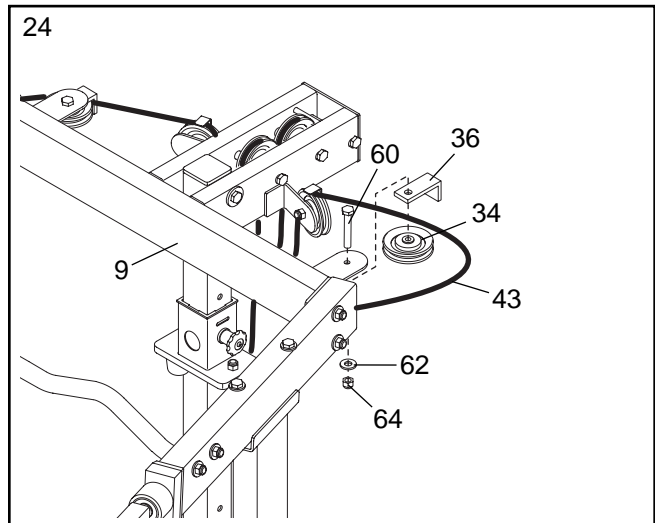
21. Wrap the Long Cable (43) around a 3 1/2" Pulley (34). Attach the Pulley and a Cable Trap (36) to the Center Top Frame (9) with an M10 x 47mm Button Head Bolt (60), an M10 Washer (62), and an M10 Nylon Locknut (64). **Make sure the Cable Trap is oriented to hold the Cable in the groove of the Pulley.**

22. Wrap the Long Cable (43) around a 3 1/2" Pulley (34). Attach the Pulley and a Cable Trap (36) to the Center Top Frame (9) with an M10 x 47mm Button Head Bolt (60) and an M10 Nylon Locknut (64). **Make sure the Cable Trap is oriented to hold the Cable in the groove of the Pulley.**

23. Wrap the Long Cable (43) over a 3 1/2" Pulley (34). Attach the Pulley and a Cable Trap (36) to the Center Top Frame (9) with an M10 x 47mm Button Head Bolt (60) and an M10 Nylon Locknut (64). **Make sure the Cable Trap is oriented to hold the Cable in the groove of the Pulley.**



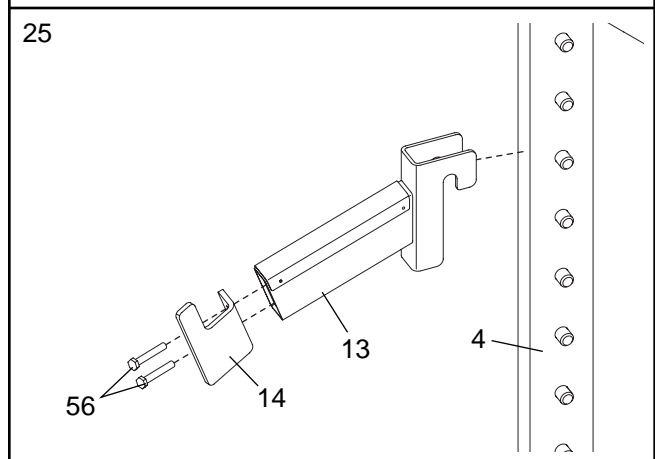
24. Wrap the Long Cable (43) around a 3 1/2" Pulley (34). Attach the Pulley and a Cable Trap (36) to the Center Top Frame (9) with an M10 x 47mm Button Head Bolt (60), an M10 Washer (62), and an M10 Nylon Locknut (64). **Make sure that the Cable Trap is oriented to hold the Cable in the groove of the Pulley and that the Cable Trap does not contact the Cable.**



25. Attach the Right Support (14) to a Weight Rest Arm (13) with two M10 x 25mm Screws (56).

Rest the Weight Rest Arm (13) on the right Upright (4).

**Repeat this step with the other Weight Rest Arm (13) and the Left Support (not shown).**



26. **Make sure all parts of the weight rack are properly tightened. In addition, pull each cable a few times to make sure the cables move smoothly over the pulleys. If the cables do not move smoothly, locate and correct the problem. When weights are used, the cables may be damaged if they are incorrectly routed. Refer to the CABLE DIAGRAMS on page 15 for correct cable routing.**

The use of all remaining parts will be explained in ADJUSTMENTS, beginning on the following page.

# ADJUSTMENTS

This section explains how to adjust the weight rack. Refer to the accompanying exercise guide to see the correct form for each exercise.

Make sure all parts are properly tightened each time the weight rack is used. Replace any worn parts immediately. The weight rack can be cleaned with a damp cloth and a mild, non-abrasive detergent. Do not use solvents.

## ADJUSTING THE WEIGHT RESTS AND SAFETY SPOTTER

Before performing an exercise that uses a barbell (not included), adjust the Weight Rest Arms (13) and the Safety Spotter (12) to the height that is best suited for that exercise.

**See drawing A.** The Weight Rest Arms (13) should be set at a comfortable height for lifting and replacing the barbell. Engage the hook on each Arm onto a selector rod on the Upright (4). **Make sure the Arms are set at the same height.**

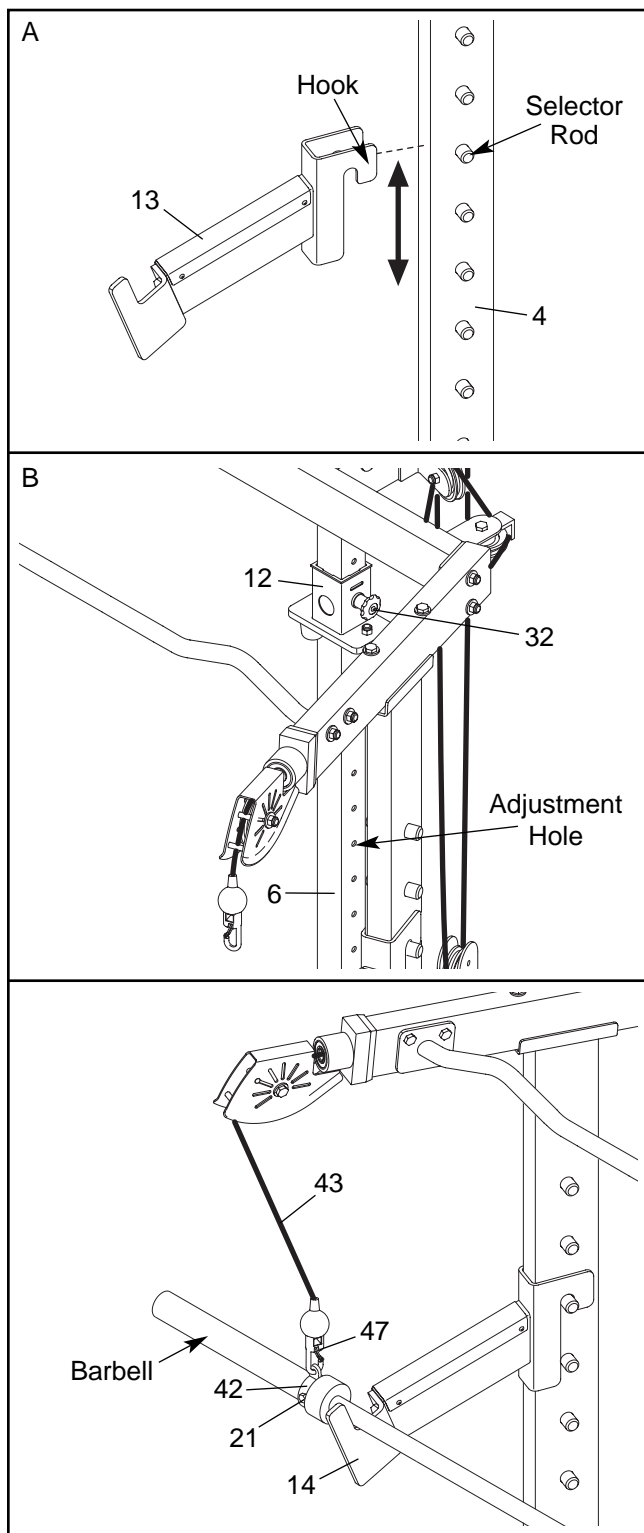
**See drawing B.** Set the Safety Spotter (12) to the position that will stop the barbell at the lowest point that you want it to go during the exercise. First, attach the barbell to the Long Cable (see ATTACHING A BARBELL TO THE CABLES, below). Then, turn the Knob (32) counterclockwise until it is loose. Pull the Knob out as far as it will go and move the Safety Spotter to the desired height. Engage the Knob into an adjustment hole in the Center Upright (6) and turn it clockwise until it is tight.

**⚠ WARNING:** Always adjust both Weight Rest Arms (13) to the same height before exercising.

## ATTACHING A BARBELL TO THE CABLES

To use a barbell (not included) with the Safety Spotter (not shown), set the barbell on the Supports (14, 15 [not shown]). Slide a Barbell Ring (42) onto each end of the barbell and tighten the M6 x 13mm Screws (21). Attach the ends of the Long Cable (43) to the Barbell Rings.

**⚠ WARNING:** Use only an Olympic barbell (not included) with the Barbell Rings (42). Always disconnect the barbell from the Long Cable (43) when performing an exercise that does not require it. The barbell could be lifted off the Supports (14, 15) and fall.

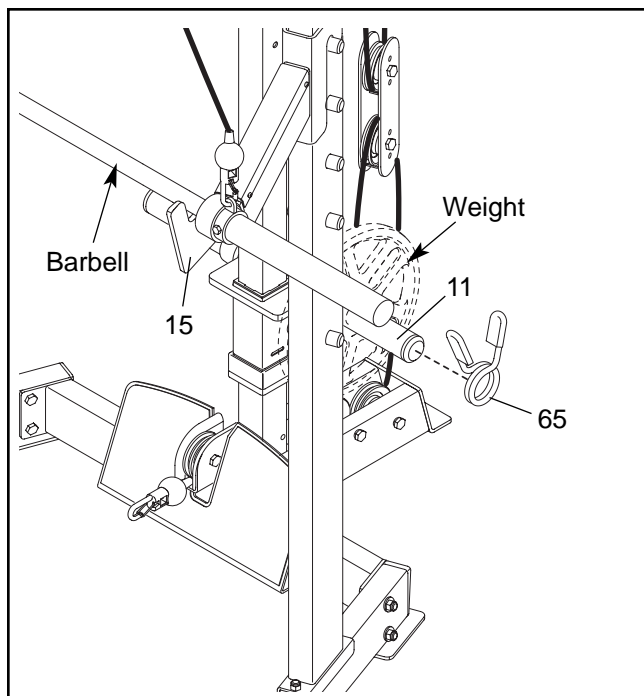


## ATTACHING WEIGHTS TO THE WEIGHT CARRIAGE OR BARBELL

Slide the desired amount of weight (not included) onto the weight tube on the Weight Carriage (11) or onto a barbell (not included). Secure the weight to the Weight Carriage with Weight Clips (65).

Do not place weights on the Weight Carriage (11) when performing exercises that use a barbell.

**⚠ WARNING:** Do not place more than 150 pounds on the Weight Carriage (11). Do not place more than 310 pounds, including the barbell, on the Supports (14, 15). Always place the same amount of weight on each side of the Weight Carriage or barbell. Always secure the weights to the Weight Carriage with Weight Clips (65).

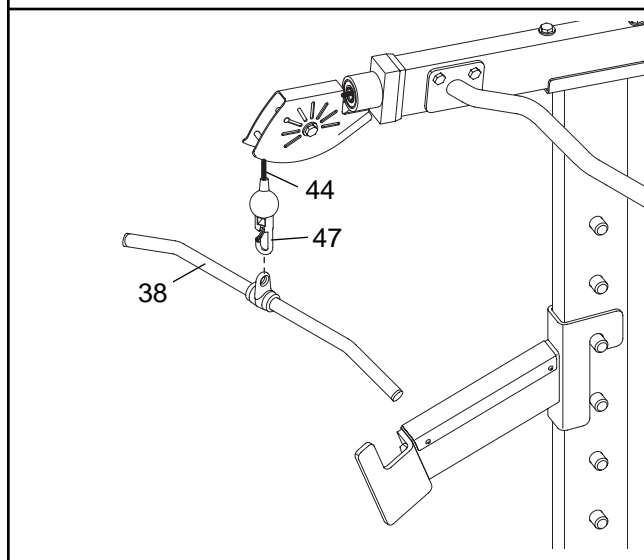


## ATTACHING THE ACCESSORIES TO THE CABLES

To use the Curl Bar (38), attach it to the Long Cable (43) or the Short Cable (not shown) with the Cable Clip (47).

The other accessories (not shown) can be attached to the cables in the same manner. Use the 12" Extension Strap (not shown) and the Spring Clip (not shown) between a cable and the accessory when necessary.

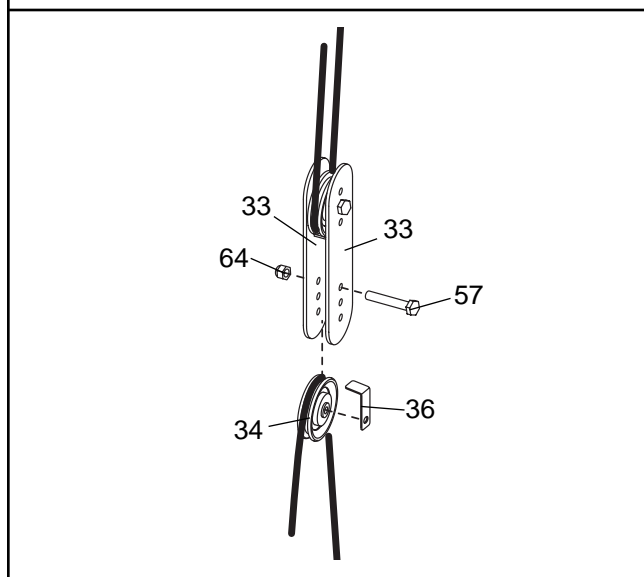
**⚠ WARNING:** Always disconnect the accessories when performing exercises that do not require them.



## TIGHTENING THE CABLES

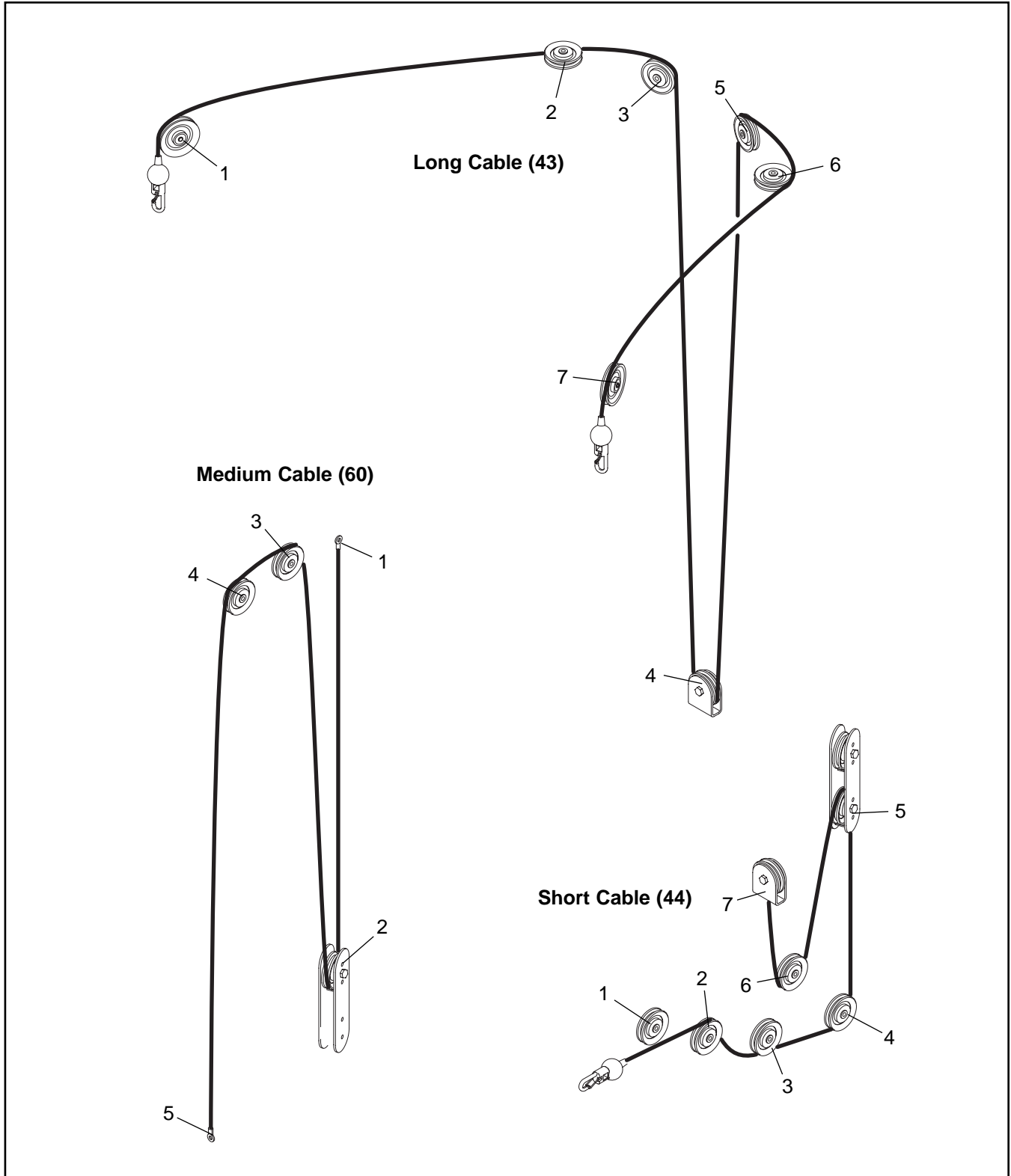
Woven cable, the type of cable used on the weight rack, can stretch slightly when it is first used. If there is slack in the cables, tighten them as described below.

Remove the M10 x 50mm Button Head Bolt (57) and the M10 Nylon Locknut (64) attaching a 3 1/2" Pulley (34) and a Cable Trap (36) to the Pulley Plates (33). Use the Bolt and Nylon Locknut to reattach the Pulley and Cable Trap to a set of holes closer to the middle of the Pulley Plates.



# CABLE DIAGRAMS

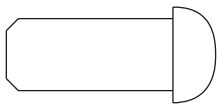
The cable diagrams below show the proper routing of the Long Cable (43), the Short Cable (44), and the Medium Cable (45). Use the diagram to make sure that the cables have been assembled correctly. If the cables have not been correctly routed, the weight rack will not function properly and damage may occur. The numbers show the correct route for each cable. **Make sure that the cable traps do not touch or bind the cables.**



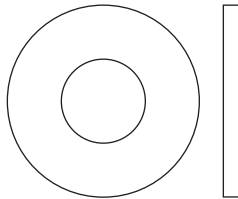
**REMOVE THIS PART IDENTIFICATION CHART AND PART LIST/  
EXPLODED DRAWING. SAVE THIS PART IDENTIFICATION CHART  
AND PART LIST/EXPLODED DRAWING FOR FUTURE REFERENCE.**

## PART IDENTIFICATION CHART

Refer to the drawings below to identify small parts used in assembly. The number in parentheses by each drawing is the key number of the part, from the PART LIST in the center of this manual. **Note: Some small parts may have been pre-attached. If a part is not in the parts bag, check to see if it has been pre-attached.**



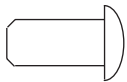
M10 x 22mm Button Head Bolt (59)



M10 Washer (62)



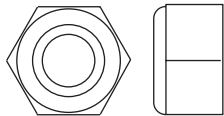
M10 x 25mm Screw (56)



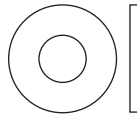
M6 x 13mm Screw (21)



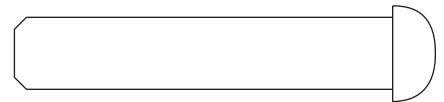
M10 x 47mm Button Head Bolt (60)



M10 Nylon Locknut (64)



M6 Washer (63)



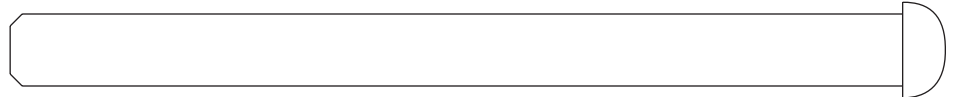
M10 x 50mm Button Head Bolt (57)



M6 Nylon Locknut (66)



M10 x 70mm Button Head Bolt (52)



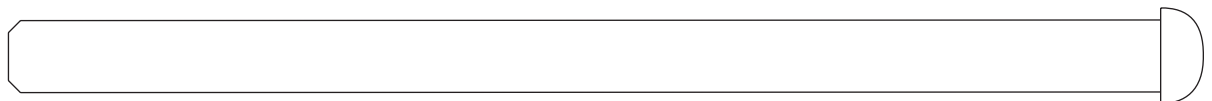
M10 x 118mm Button Head Bolt (67)



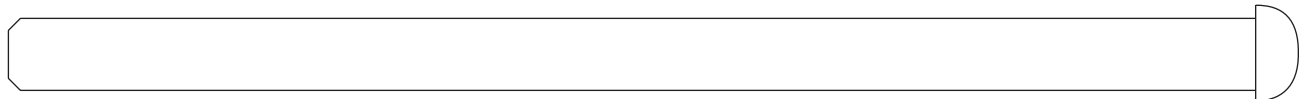
M6 Nut (71)



M10 x 116mm Carriage Bolt (53)



M10 x 152mm Button Head Bolt (54)



M10 x 165mm Button Head Bolt (5)



# PART LIST—Model No. NTB39020

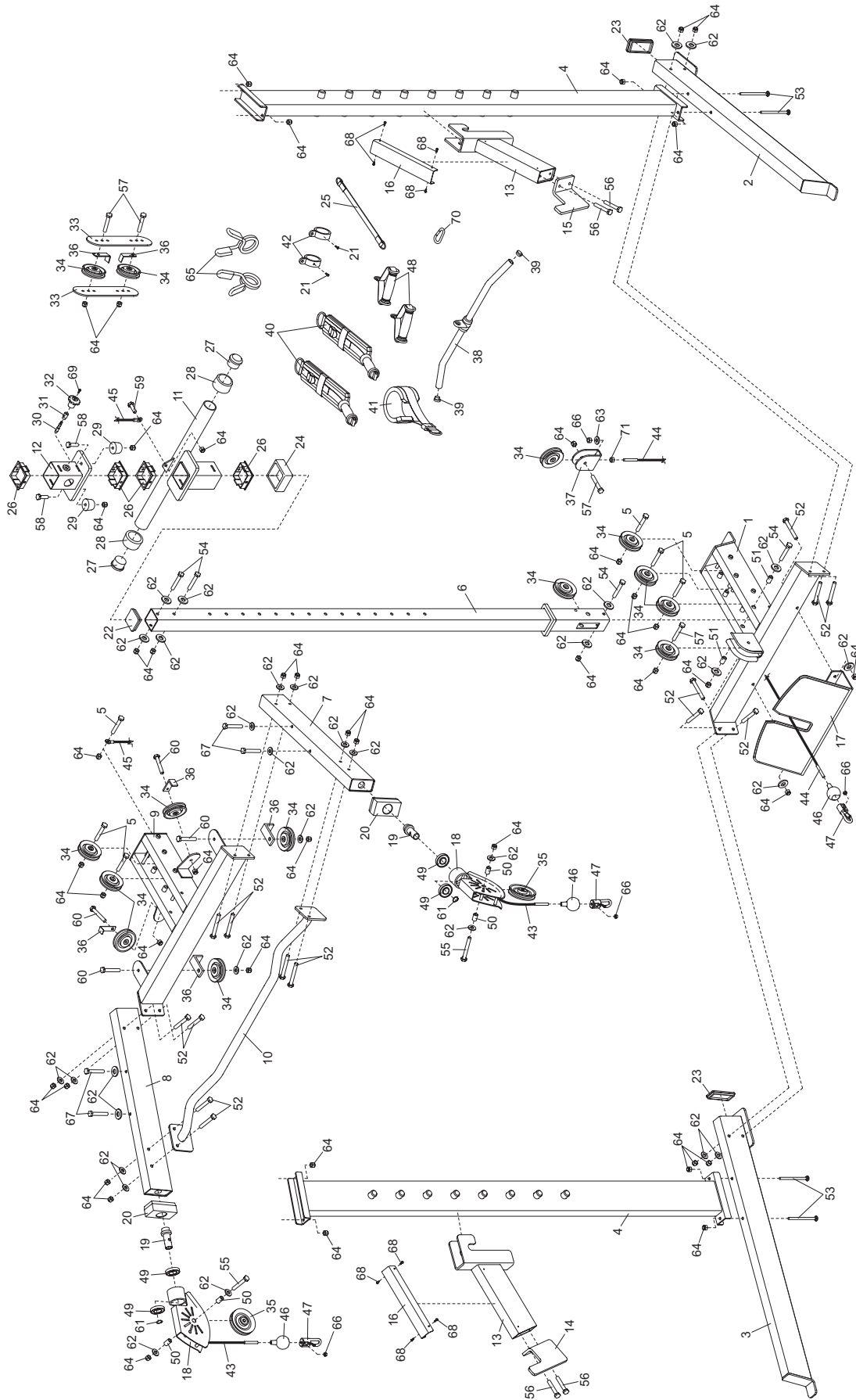
R0403A

Key No.	Qty.	Description	Key No.	Qty.	Description
1	1	Base Frame	39	2	Curl Endcap
2	1	Left Frame	40	2	Ab Strap
3	1	Right Frame	41	1	Ankle Strap
4	2	Upright	42	2	Barbell Ring
5	6	M10 x 165mm Button Head Bolt	43	1	Long Cable
6	1	Center Upright	44	1	Short Cable
7	1	Left Top Frame	45	1	Medium Cable
8	1	Right Top Frame	46	3	Cable Ball
9	1	Center Top Frame	47	3	Cable Clip
10	1	Pull-up Bar	48	2	Handle
11	1	Weight Carriage	49	4	Bearing
12	1	Safety Spotter	50	4	Short Spacer
13	2	Weight Rest Arm	51	2	Long Spacer
14	1	Right Support	52	14	M10 x 70mm Button Head Bolt
15	1	Left Support	53	4	M10 x 116mm Carriage Bolt
16	2	Cover	54	4	M10 x 152mm Button Head Bolt
17	1	Foot Plate	55	2	M10 x 54mm Button Head Bolt
18	2	Swivel Arm	56	4	M10 x 25mm Screw
19	2	Trunnion	57	4	M10 x 50mm Button Head Bolt
20	2	Press Arm Cap	58	2	M10 x 36mm Button Head Bolt
21	2	M6 x 13mm Screw	59	1	M10 x 22mm Button Head Bolt
22	1	60mm Square Cap	60	4	M10 x 47mm Button Head Bolt
23	2	50mm x 100mm Cap	61	2	Snap Ring
24	1	Carriage Stop	62	32	M10 Washer
25	1	12" Extension Strap	63	1	M6 Washer
26	4	Carriage Bushing	64	45	M10 Nylon Locknut
27	2	Carriage Endcap	65	2	Weight Clip
28	2	Weight Stop	66	4	M6 Nylon Locknut
29	2	Safety Bumper	67	4	M10 x 118mm Button Head Bolt
30	1	Knob Pin	68	8	M4 x 16mm Screw
31	1	Knob Bushing	69	1	M5 x 12mm Screw
32	1	Knob	70	1	Spring Clip
33	2	Pulley Plate	71	1	M6 Nut
34	14	3 1/2" Pulley	#	1	User's Manual
35	2	4" Pulley	#	1	Exercise Guide
36	6	Cable Trap	#	1	Large Allen Wrench
37	1	"U"-bracket	#	1	Small Allen Wrench
38	1	Curl Bar			

Note: "#" indicates a non-illustrated part. Specifications are subject to change without notice. See the back cover of the user's manual for information about ordering replacement parts.

# EXPLODED DRAWING—Model No. NTB39020

R0403A



---

# ORDERING REPLACEMENT PARTS

To order replacement parts, simply call our Customer Service Department toll-free at 1-888-825-2588, Monday through Friday, 6 a.m. until 6 p.m. Mountain Time (excluding holidays). To help us assist you, please be prepared to give the following information:

1. The MODEL NUMBER of the product (NTB39020)
2. The NAME of the product (NordicTrack® STRENGTH SPOTTER RACK weight rack)
3. The SERIAL NUMBER of the product (see the front cover of this manual)
4. The KEY NUMBER and DESCRIPTION of the part(s) (see the PART LIST and EXPLODED DRAWING in the center of this manual)

---

## LIMITED WARRANTY

**WHAT IS COVERED**—The entire NordicTrack® STRENGTH SPOTTER RACK weight system ("Product") is warranted to be free of all defects in material and workmanship.

**WHO IS COVERED**—The original purchaser or any person receiving the Product as a gift from the original purchaser.

**HOW LONG IS IT COVERED**—ICON Health & Fitness, Inc. ("ICON"), warrants the product frame for five years after the date of purchase. ICON warrants all other parts for one year after the date of purchase. Labor is covered for one year.

**WHAT WE DO TO CORRECT COVERED DEFECTS**—We will ship to you, without charge, any replacement part or component, providing the repairs are authorized by ICON first and are performed by an ICON trained and authorized service provider, or, at our option, we will replace the Product.

**WHAT IS NOT COVERED**—Any failures or damage caused by unauthorized service, misuse, accident, negligence, improper assembly or installation, alterations, modifications without our written authorization or by failure on your part to use, operate, and maintain as set out in your User's Manual ("Manual").

**WHAT YOU MUST DO**—Always retain proof of purchase, such as your bill of sale; store, operate, and maintain the Product as specified in the Manual; notify our Customer Service Department of any defect within 10 days after discovery of the defect; as instructed, return any defected part for replacement or, if necessary, the entire product, for repair.

**USER'S MANUAL**—It is VERY IMPORTANT THAT YOU READ THE MANUAL before operating the Product. Remember to do the periodic maintenance requirements specified in the Manual to assure proper operation and your continued satisfaction.

**HOW TO GET PARTS AND SERVICE**—Simply call our Customer Service Department at 1-888-825-2588 and tell them your name and address and the serial number of your Product. They will tell you how to get a part replaced, or if necessary, arrange for service where your Product is located or advise you how to ship the Product for service. Before shipping, always obtain a Return Authorization Number (RA No.) from our Customer Service Department; securely pack your Product (save the original shipping carton if possible); put the RA No. on the outside of the carton and insure the product. Include a letter explaining the product or problem and a copy of your proof of purchase if you believe the service is covered by warranty.

ICON is not responsible or liable for indirect, special or consequential damages arising out of or in connection with the use or performance of the product or damages with respect to any economic loss, loss of property, loss of revenues or profits, loss of enjoyment or use, costs of removal, installation or other consequential damages of whatsoever nature. Some states do not allow the exclusion or limitation of incidental or consequential damages. Accordingly, the above limitation may not apply to you.

The warranty extended hereunder is in lieu of any and all other warranties and any implied warranties of merchantability or fitness for a particular purpose is limited in its scope and duration to the terms set forth herein. Some states do not allow limitations on how long an implied warranty lasts. Accordingly, the above limitation may not apply to you.

No one is authorized to change, modify or extend the terms of this limited warranty. This warranty gives you specific legal rights and you may have other rights which vary from state to state.

**ICON HEALTH & FITNESS, INC., 1500 S. 1000 W., LOGAN, UT 84321-9813**

## Free Manuals Download Website

<http://myh66.com>

<http://usermanuals.us>

<http://www.somanuals.com>

<http://www.4manuals.cc>

<http://www.manual-lib.com>

<http://www.404manual.com>

<http://www.luxmanual.com>

<http://aubethermostatmanual.com>

Golf course search by state

<http://golfingnear.com>

Email search by domain

<http://emailbydomain.com>

Auto manuals search

<http://auto.somanuals.com>

TV manuals search

<http://tv.somanuals.com>