

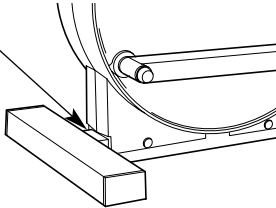
NordicTrack[®] *VGR 850*

Model No. NTCCEL47300

Serial No. _____

Write the serial number in the space above for future reference.

Serial
Number
Decal



USER'S MANUAL

QUESTIONS?

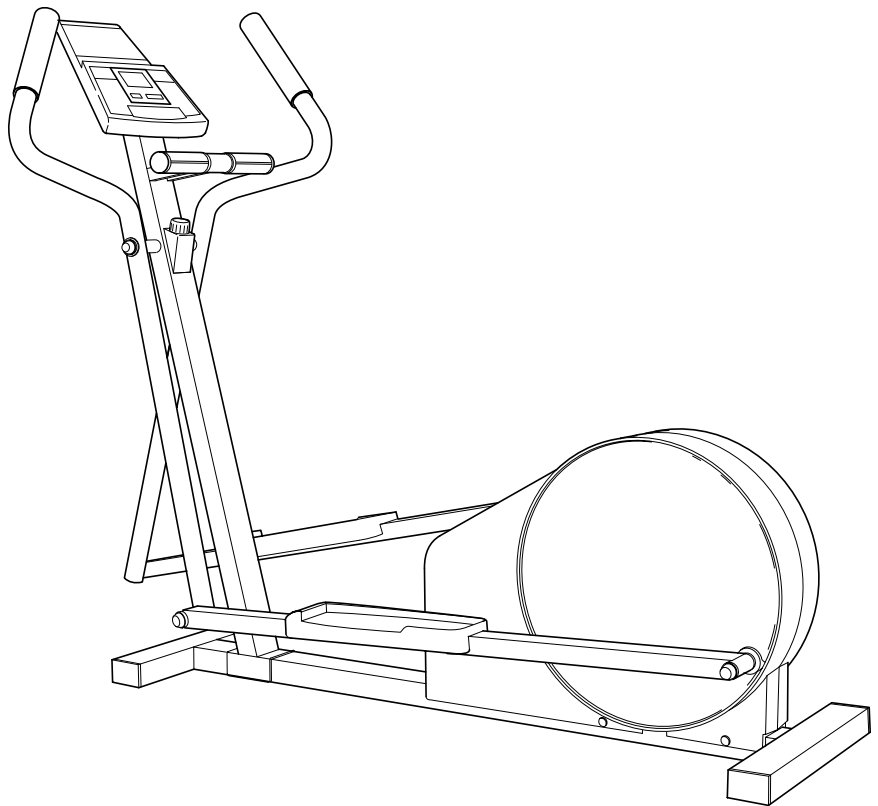
As a manufacturer, we are committed to providing complete customer satisfaction. If you have questions, or if there are missing parts, we will guarantee complete satisfaction through direct assistance from our factory.

TO AVOID UNNECESSARY DELAYS, PLEASE CALL DIRECT TO OUR TOLL-FREE CUSTOMER HOT LINE. The trained technicians on our customer hot line will provide immediate assistance, free of charge to you.

CUSTOMER HOT LINE:

1-888-936-4266

Mon.–Fri., 8:00 a.m.–6:30 p.m.
Eastern Standard Time
(excluding holidays)



CAUTION

Read all precautions and instructions in this manual before using this equipment. Keep this manual for future reference.



Visit our website at

www.nordictrack.com

*new products, prizes,
fitness tips, and much more!*



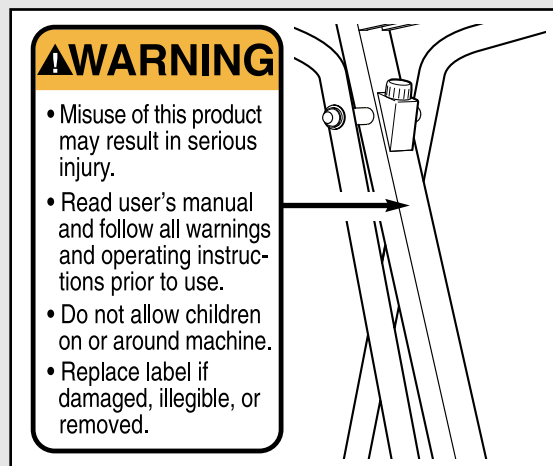
TABLE OF CONTENTS

IMPORTANT PRECAUTIONS3
BEFORE YOU BEGIN4
ASSEMBLY5
HOW TO USE THE ELLIPTICAL EXERCISER10
MAINTENANCE14
CONDITIONING GUIDELINES15
PART LIST16
EXPLODED DRAWING17
CUSTOMER RECORD18
ORDERING REPLACEMENT PARTS19
LIMITED WARRANTYBack Cover

IMPORTANT PRECAUTIONS

⚠ WARNING: To reduce the risk of serious injury, read the following important precautions before using the NordicTrack® VGR850.

1. Read all instructions in this manual before using the elliptical exerciser.
2. Use the elliptical exerciser only as described in this manual.
3. It is the responsibility of the owner to ensure that all users of the elliptical exerciser are adequately informed of all precautions.
4. Place the elliptical exerciser on a level surface, with a mat beneath it to protect the floor or carpet. Keep the elliptical exerciser indoors, away from moisture and dust.
5. Inspect and tighten all parts regularly. Replace any worn parts immediately.
6. Keep children under the age of 12 and pets away from the elliptical exerciser at all times.
7. The elliptical exerciser should not be used by persons weighing more than 114 kilograms (250 pounds).
8. Wear appropriate clothing when using the elliptical exerciser. Always wear athletic shoes for foot protection.
9. When mounting or dismounting the elliptical exerciser, always hold the handlebars or the T-handle and step onto and off the pedal that is in the lowest position.
10. Each time you stop exercising on the elliptical exerciser, allow the pedals to come to a complete stop before dismounting. The elliptical exerciser does not have a free-wheel; the pedals will continue to move until the flywheel stops.
11. Always keep your back straight when using the elliptical exerciser. Do not arch your back.
12. If you feel pain or dizziness at any time while exercising, stop immediately and begin cooling down.
13. The elliptical exerciser is intended for in-home use only. Do not use the elliptical exerciser in a commercial, rental, or institutional setting.
14. The pulse sensor is not a medical device. Various factors may affect the accuracy of heart rate readings. The pulse sensor is intended only as an exercise aid in determining heart rate trends in general.
15. The decal shown below has been placed on the elliptical exerciser. If the decal is missing or illegible, please call our Customer Service Department at 1-888-936-4266 to order a free replacement decal. Apply the decal in the location shown.



⚠ WARNING: Before beginning this or any exercise program, consult your physician. This is especially important for persons over the age of 35 or persons with pre-existing health problems. Read all instructions before using. ICON assumes no responsibility for personal injury or property damage sustained by or through the use of this product.

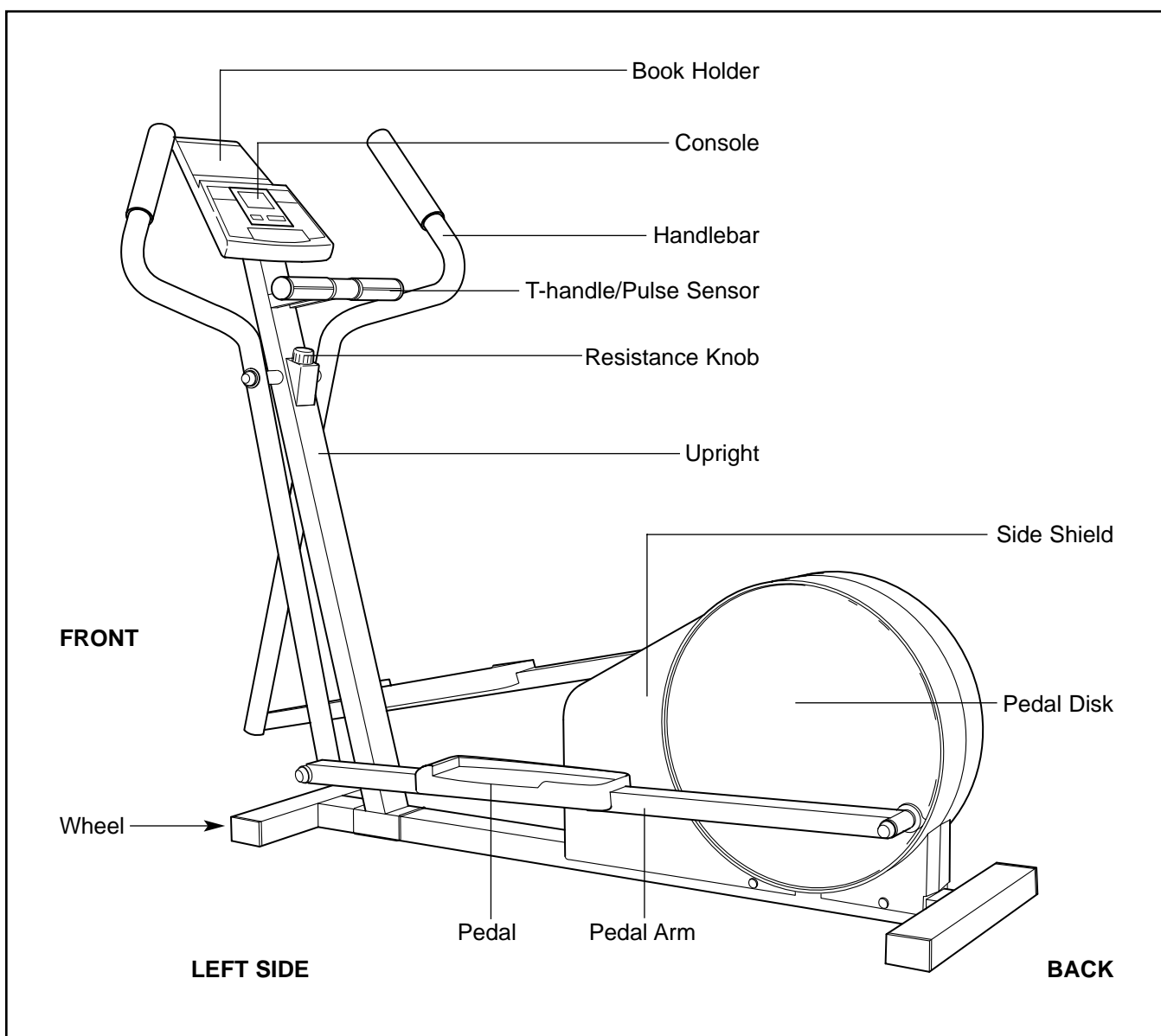
BEFORE YOU BEGIN

Congratulations for selecting the NordicTrack® VGR850 low-impact elliptical exerciser. The NordicTrack® VGR850 is an incredibly smooth exerciser that moves your feet in a natural elliptical path, minimizing the impact on your knees and ankles. And the unique NordicTrack® VGR850 features adjustable resistance, upper-body and stationary handlebars, and a multi-mode exercise monitor to help you get the most from your exercise. Welcome to a whole new world of natural, elliptical-motion exercise from NordicTrack.

For your benefit, read this manual carefully before you use the NordicTrack® VGR850. If you have questions


after reading the manual, call our Customer Service Department toll-free at 1-888-936-4266, Monday through Friday, 8:00 a.m. to 6:30 p.m. Eastern Standard Time (excluding holidays). To help us assist you, please note the product model number and serial number before calling. The model number is NTCCEL47300. The serial number can be found on a decal attached to the elliptical exerciser (see the front cover of this manual for the location of the decal).

Before reading further, please look at the drawing below and familiarize yourself with the parts that are labeled.

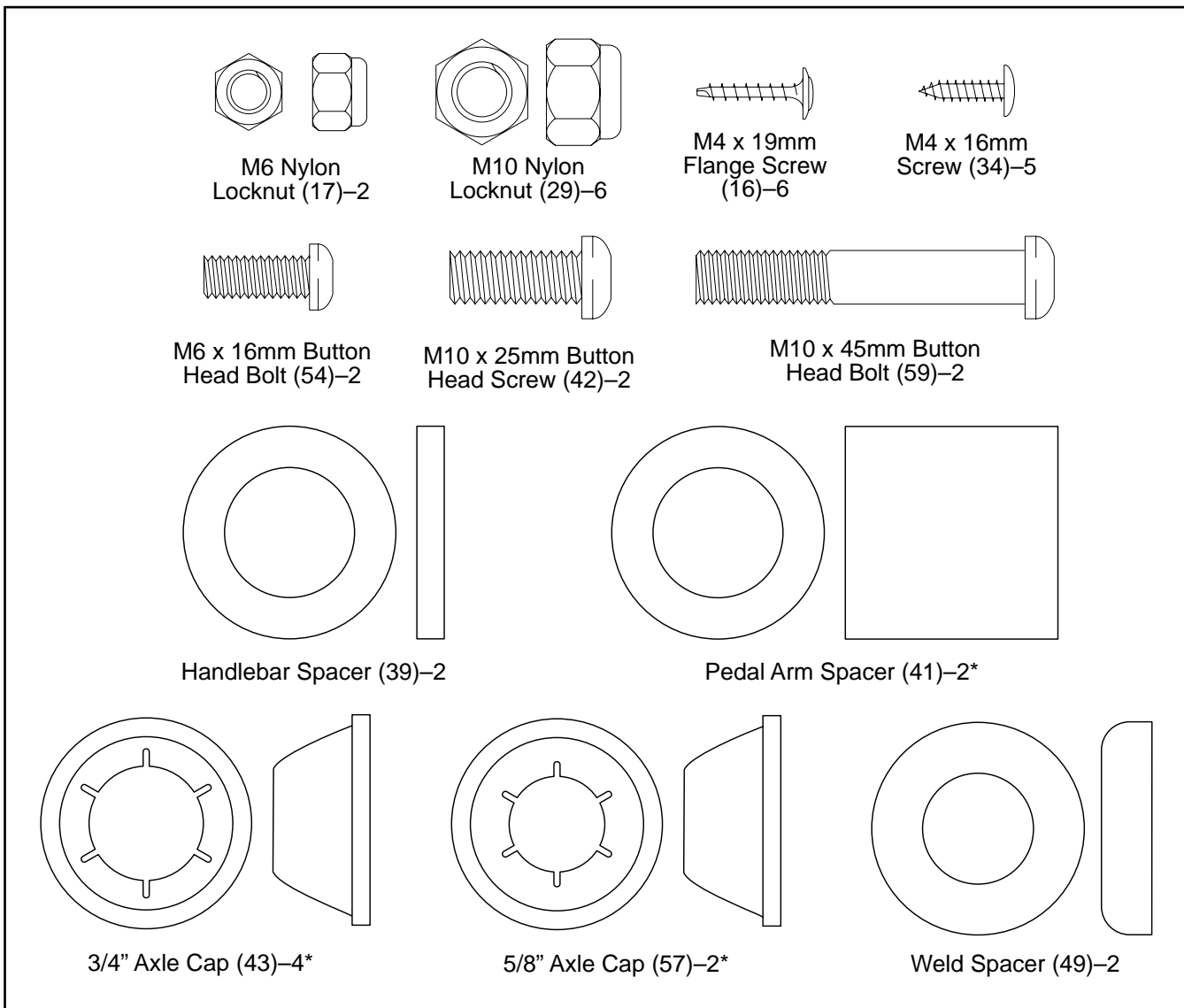


ASSEMBLY

Assembly requires two persons. Place all parts of the elliptical exerciser in a cleared area and remove the packing materials. **Do not dispose of the packing materials until assembly is completed.**

Assembly requires the following tools: the included allen wrench, a phillips screwdriver , an adjustable wrench , a rubber mallet , and pliers .

As you assemble the elliptical exerciser, use the drawings below to identify the small parts used in assembly. The number in parentheses below each drawing refers to the key number of the part, from the PART LIST on page 16. The second number refers to the quantity used in assembly. **Note: Some small parts may have been pre-attached for shipping. If a part is not in the parts bag, check to see if it has been pre-attached.**



1. Turn the Resistance Control (26) counterclockwise to the minimum setting.

If the Resistance Control (26) is attached to the Upright (3), remove the M4 x 16mm Screw (34). Pull the bottom of the Resistance Control away from the Upright and then slide it down to release it. **Do not pull on the Resistance Control or remove it from the Upright.**

2. Lay a cloth over the front of the Frame (1) to protect it. Lay the Upright (3) in the position shown. Connect the Extension Wire (2) to the Reed Switch Wire (25).

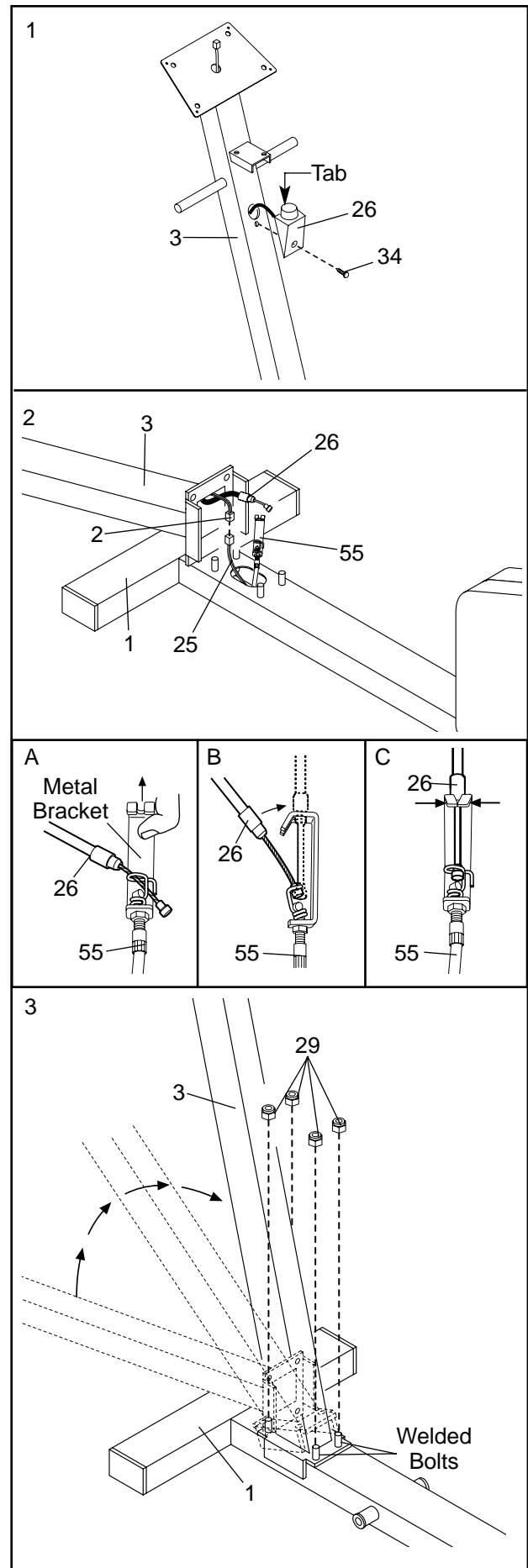
Next, connect the Resistance Cable (26) to the Extension Cable (55) in the following way:

- Refer to drawing A. Pull up on the metal bracket, and insert the tip of the Resistance Cable (26) into the wire clip on the Extension Cable (55) as shown.
- Refer to drawing B. **Firmly** pull the Resistance Cable (26) and slide it into the metal bracket on the Extension Cable (55) as shown.
- Refer to drawing C. Using pliers, squeeze the prongs on the upper end of the metal bracket together.

3. Align the two holes in the front of the Upright (3) with the two welded bolts on the front of the Frame (1). Carefully push the Reed Switch Wire (not shown) into the Upright until there is no slack.

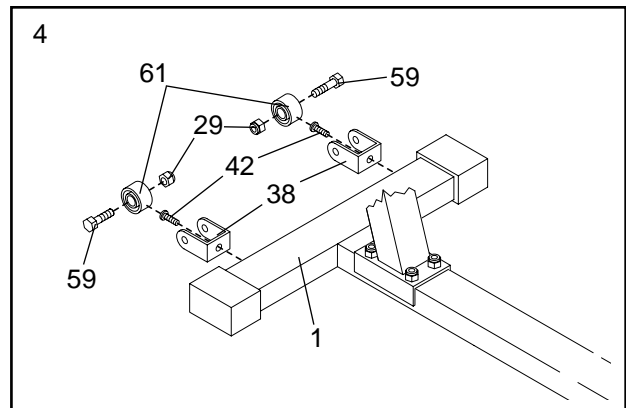
Next, pivot the Upright (3) about halfway to the vertical position while guiding the metal bracket on the Extension Cable (not shown) into the Upright. Once the top edge of the metal bracket is inside the Upright, pivot the Upright to the vertical position so it rests on the four welded bolts on the Frame (1). **Be careful to avoid pinching the wires.** Tighten an M10 Nylon Locknut (29) onto each welded bolt.

Refer to step 1. Reattach the Resistance Control (26) to the Upright (3) with the M4 x 16mm Screw (34).



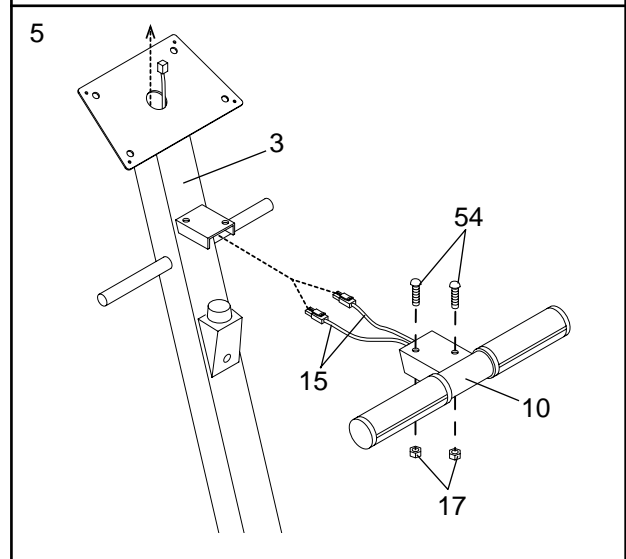
- Attach the two Wheel Brackets (38) to the Frame (1) with the two M10 x 25mm Button Head Screws (42) as shown.

Attach a Wheel (61) to each Wheel Bracket (38) with an M10 x 45mm Button Head Bolt (59) and an M10 Nylon Locknut (29).



- Route both Pulse Wires (15) into and up through the Upright (3) as shown.

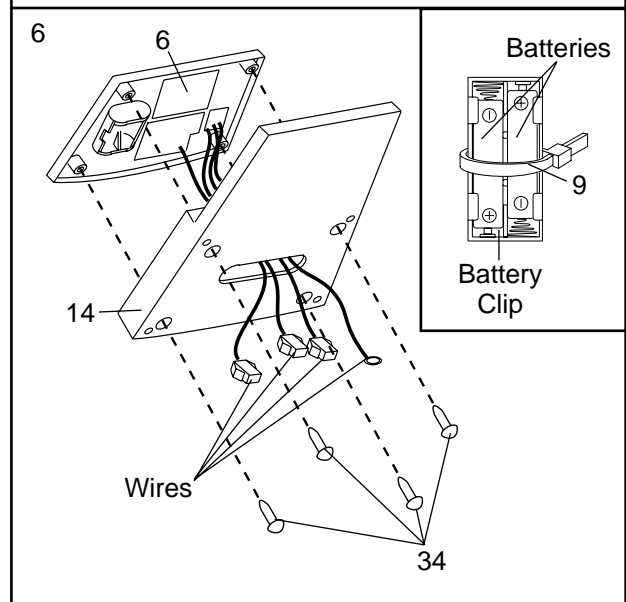
Attach the T-handle (10) to the Upright (3) with two M6 x 16mm Button Head Bolts (54) and two M6 Nylon Locknuts (17).



- The Console (6) requires two "AA" batteries (not included). Alkaline batteries are recommended. To install batteries, turn the console over. Remove the four M4 x 16mm Screws (34), and separate the Console from the Console Base (14). Insert two batteries into the battery clip as shown in the inset drawing. **Make sure that the negative ends of the batteries (marked "—") are touching the springs in the battery clip.**

Attach a Plastic Tie (9) to the battery clip as shown.

Attach the Console (6) to the Console Base (14) with the four M4 x 16mm Screws (34), making sure that the indicated wires are extending from the Console Base. **Be careful not to pinch the wires.**

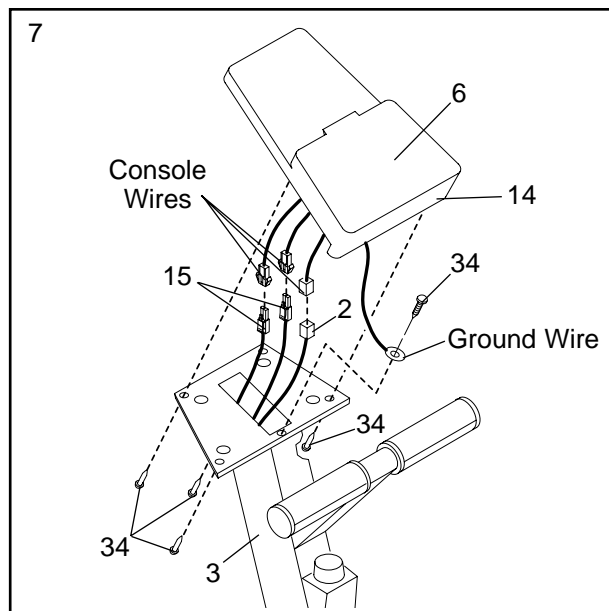


7. Connect the Extension Wire (2) to the corresponding wire on the Console (6).

Next, connect the two Pulse Wires (15) to the two remaining wires on the Console (6). Note: Either Pulse Wire can be attached to either wire on the Console.

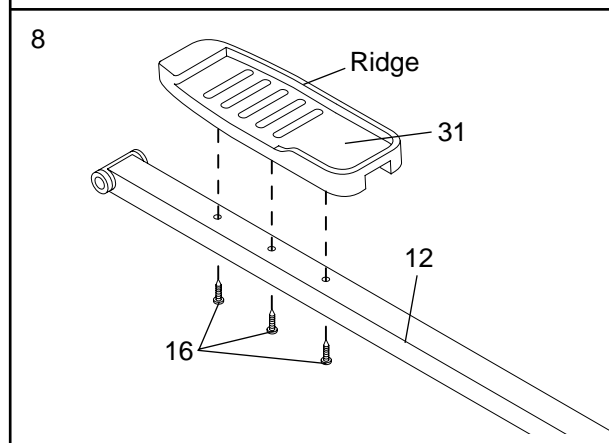
Next, connect the ground wire to the indicated hole in the Upright (3) with an M4 x 16mm Screw (34).

Carefully feed the wires down into the Upright (3). Attach the Console Base (14) to the Upright with four M4 x 16mm Screws (34). **Be careful to avoid pinching the wires.**



8. Find the Left Pedal (31), which has a ridge on the right side. Attach the Left Pedal to one of the Pedal Arms (12) with three M4 x 19mm Flange Screws (16) as shown.

Repeat this step to attach the Right Pedal to the other Pedal Arm (not shown).

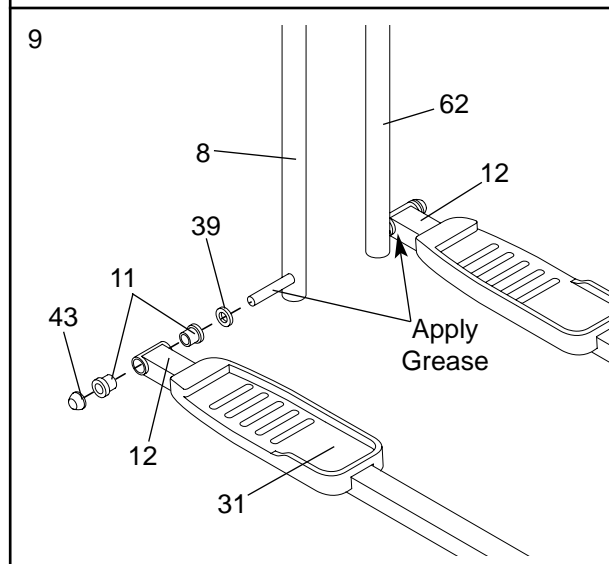


9. Identify the Left Handlebar (8) (there is an "L" sticker on the Left Handlebar). Apply a thin film of the included grease to the axle on the Left Handlebar.

Make sure that there are two Pedal Arm Bushings (11) in each Pedal Arm (12).

Slide a Handlebar Spacer (39) and the Pedal Arm (12) with the Left Pedal (31) onto the Left Handlebar (8) as shown. (Note: These parts fit tightly; it may be helpful to use the rubber mallet.) Next, tap a 3/4" Axle Cap (43) onto the Left Handlebar.

Repeat this step to attach the other Pedal Arm (12) to the Right Handlebar (62).



10. Apply a thin film of the included grease to the axles on the Upright (3) and the Crank Arms (33). Slide a Weld Spacer (49) onto the left axle on the Upright. Make sure that the open side of the Weld Spacer is facing the Upright.

Slide a Pedal Arm Spacer (41) onto the left Crank Arm (33).

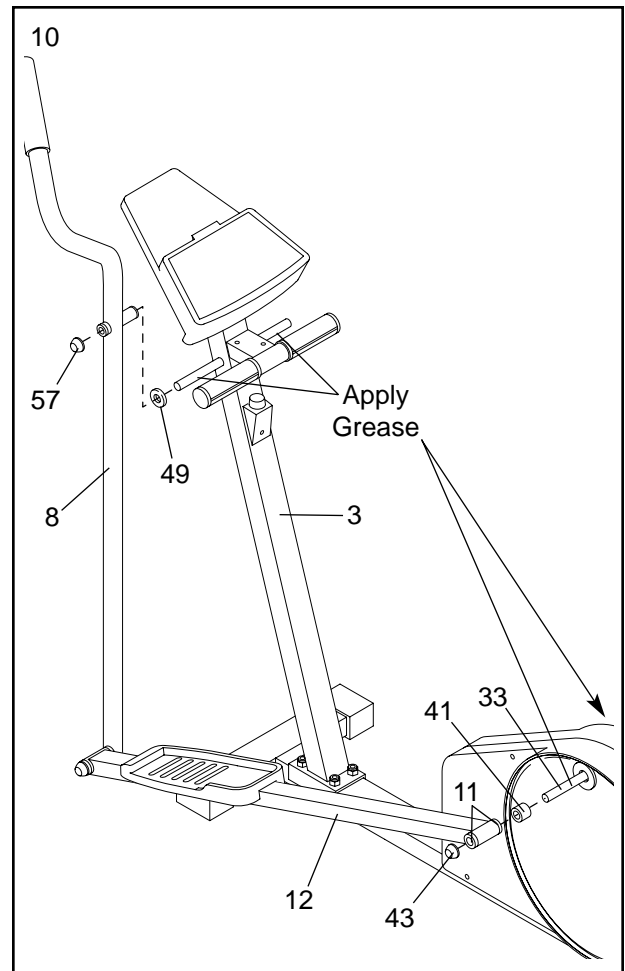
Make sure that there are two Rear Pedal Arm Bushings (11) in the Pedal Arm (12) attached to the Left Handlebar (8).

With the help of another person, slide the Left Handlebar (8) onto the left axle on the Upright (3) while sliding the left Pedal Arm (12) onto the left Crank Arm (33). (Note: These parts fit tightly; it may be helpful to use the rubber mallet. In addition, it may be helpful to rotate the left Crank Arm [33] to a different position.)

Tap a 5/8" Axle Cap (57) onto the left axle on the Upright (3).

Tap a 3/4" Axle Cap (43) onto the left Crank Arm (33).

Repeat this step to attach the Right Handlebar and the right Pedal Arm (not shown).

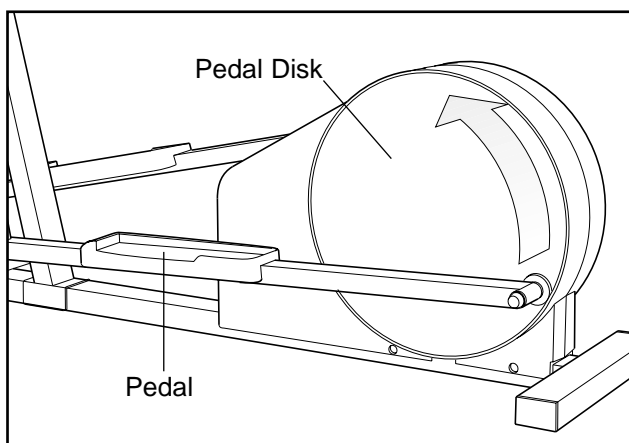


11. **Make sure that all parts of the elliptical exerciser are properly tightened. Note: Some hardware may be left over after assembly is completed.** To protect the floor or carpet from damage, place a mat under the elliptical exerciser.

HOW TO USE THE ELLIPTICAL EXERCISER

HOW TO EXERCISE ON THE ELLIPTICAL EXERCISER

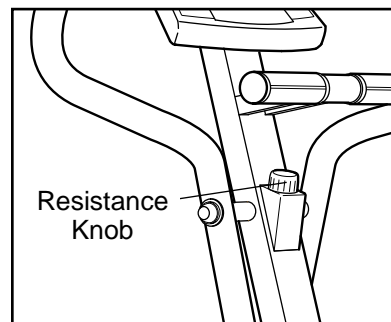
To mount the elliptical exerciser, firmly hold the handlebars or the pulse grips and carefully step onto the pedal that is in the lowest position. Next, step onto the other pedal. Push the pedals until they begin to move with a continuous motion. **Note: The pedal disks can turn in either direction; it is recommended that you turn the pedal disks in the direction shown below; however, to give variety to your exercise, you may choose to turn the pedal disks in the opposite direction.**



To dismount the elliptical exerciser, allow the pedals to come to a complete stop. **CAUTION: The elliptical exerciser does not have a freewheel; the pedals will continue to move until the flywheel stops.** When the pedals are stationary, step off the highest pedal first. Then, step off the lowest pedal.

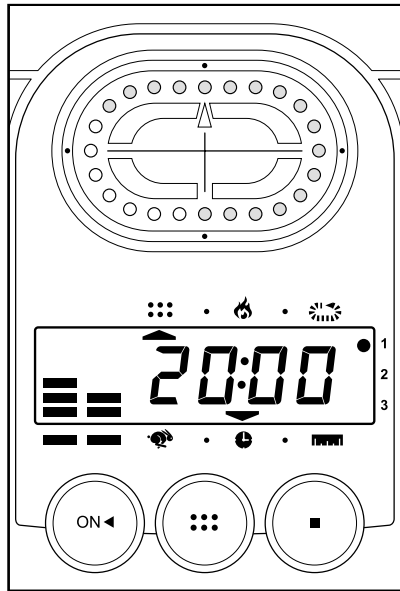
HOW TO ADJUST THE RESISTANCE OF THE PEDALS




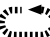



As you exercise, you can adjust the resistance of the pedals with the resistance knob on the Upright. To increase the resistance, turn the knob clockwise; to decrease the resistance, turn the knob counterclockwise.



DESCRIPTION OF THE CONSOLE

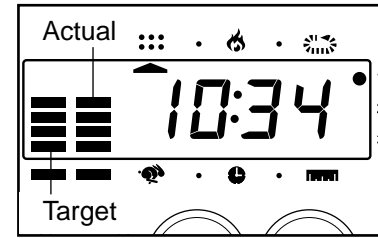
The innovative console offers a manual mode and three pacer programs. The pacer programs are designed to help you reach specific exercise goals by pacing your exercise. You can choose from a stamina-building Interval program, an Aerobic program, and a special Fat Burn program. As you exercise, seven monitor modes will provide continuous exercise feedback. The monitor modes are described below:



-  **Speed**—This mode shows your exercising pace, in kilometers or miles per hour (see HOW TO SELECT KILOMETERS OR MILES on page 13).
-  **Time**—If you select the manual mode, this mode will show the elapsed time. If you select one of the three pacer programs, this mode will count down the time remaining in the program.
-  **Distance**—This mode shows the distance you have strided, in kilometers or miles.
-  **Lap**—This mode shows the number of laps you have completed. One lap equals 0.25 kilometers or miles.
-  **Calorie**—This mode shows the approximate number of calories you have burned.
-  **Scan**—This mode displays the above five modes, for 5 seconds each, in a repeating cycle.
-  **Pulse**—This mode shows your heart rate when the pulse sensor is used. (See step 5 on page 12.)

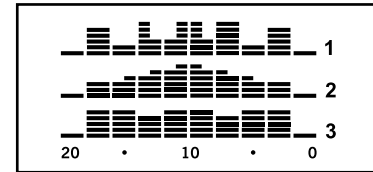
HOW THE PACER PROGRAMS OPERATE

When you use a pacer program, two columns of bars will appear in the display. The left column represents a target pace, and the right column shows



your actual exercising pace. The target pace will change periodically during the program; as the target pace changes, simply adjust your exercising pace to keep both columns at the same height. **Important: The target pace is a goal pace. Your actual pace may be slower than the target pace, especially during the first few months of your exercise program. Be sure to exercise at a pace that is comfortable for you.**

The three graphs on the console show how the target pace will change during the programs. During the Aerobic program (P2), for example, the target pace will gradually increase during the first half of the program, and gradually decrease during the last half of the program. Each program will last twenty minutes.



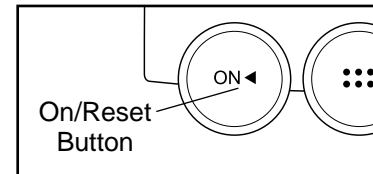
STEP-BY-STEP CONSOLE OPERATION

Before the console can be operated, two batteries must be installed (see assembly step 6 on page 7).

Follow the steps below to operate the console.

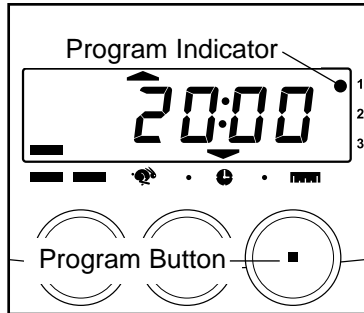
1 Turn on the power

To turn on the power, press the on/reset button or simply begin exercising. The entire display will appear for two seconds; the console will then be ready for use. Note: If batteries were just installed, the power will already be on.



2 Select one of the three pacer programs or the manual mode

To select one of the pacer programs, repeatedly press the program button. The program indicator will show which program you have selected.



To select the manual mode, press the program button until the program indicator disappears. The programs will be selected in the following order: program 1 (Interval), program 2 (Aerobic), program 3 (Fat Burn), manual mode.

3 Begin your workout

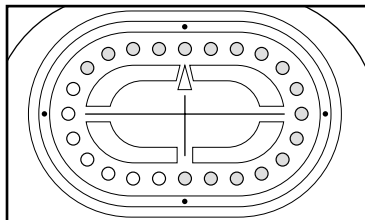
If you selected the manual mode, go to step 4. If you selected one of the pacer programs, two columns of



bars will appear in the display. The left column will show one bar, indicating a relatively slow pace. The right column will show your actual exercising pace. Adjust your exercising pace until only one bar appears in the right column. Each time the target pace changes during the program, adjust your exercising pace to keep both columns at the same height.

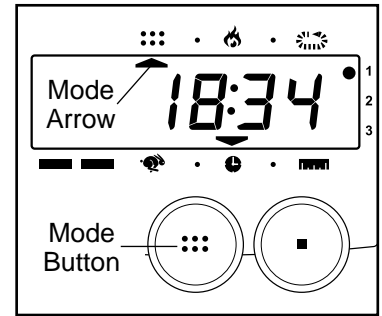
4 Follow your progress with the LED track and the seven monitor modes

The LED track—
The LED track represents a distance of 0.25 kilometers or miles. As you pedal, the indicators around the track will light one at a time until you have completed one lap. A new lap will then begin.



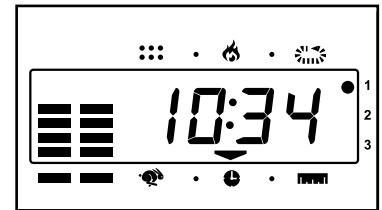
The scan mode—

Repeatedly press the mode button until an arrow appears under the scan symbol. When the scan mode is selected, the console will display the speed, time, distance, lap and calorie modes, for 5 seconds each, in a repeating cycle.



The speed, time, distance, lap, or calorie mode—

Repeatedly press the mode button until an arrow appears below or above the desired mode symbol. Make sure that there is not an arrow under the scan symbol.

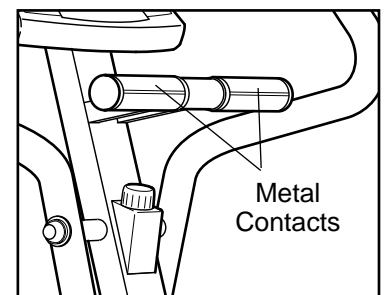


The pulse mode—To use the pulse mode, see step 5.

To reset the display, press the on/reset button.

5 Measure your heart rate if desired

To use the pulse sensor, place your hands on the metal contacts. Your palms must be resting on the upper contacts and your fingers must be touching the lower contacts. Avoid moving your hands. After a moment, the heart-shaped indicator in the display will begin to flash and your heart rate will be shown. For the most accurate heart rate reading, continue to hold the contacts for about 15 seconds.



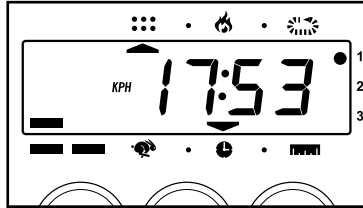
Make sure that your hands are positioned as described above, and that you are not moving your hands excessively or squeezing the metal contacts too tightly.

6 Turn off the power

To turn off the power, simply wait for about six minutes. If the pedals are not moved and the console buttons are not pressed for six minutes, the power will turn off automatically.

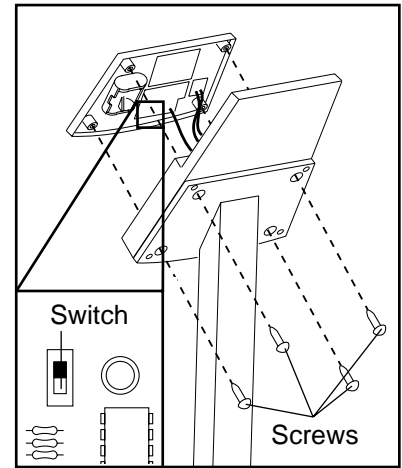
HOW TO SELECT KILOMETERS OR MILES

The console can display distance and speed in either kilometers or miles. If a "KPH" appears in the display, distance and speed will be shown in kilometers; if a "KPH" does not appear, distance and speed will be shown in miles.



To change the unit of measurement, first remove the four indicated screws from the console. Lift the console a few inches and turn it over; **be careful not to pull on the wires.**

Next, locate the small switch on the back of the console. Slide the switch up or down to change the unit of measurement. Reattach the console with the four screws; **be careful not to pinch any of the wires.**



MAINTENANCE

Inspect and tighten all parts of the elliptical exerciser regularly. Replace any worn parts immediately.

The elliptical exerciser can be wiped clean with a soft cloth and mild detergent. **Do not use abrasives or solvents.** To prevent damage to the console, keep liquids away from the console. Use only a sealable water bottle in the console.

CONSOLE TROUBLE-SHOOTING

If the console does not function properly, the batteries should be replaced. To replace the batteries, refer to assembly step 6 on page 7.

STORAGE

When storing the elliptical exerciser, remove the batteries from the console. Keep the elliptical exerciser in a clean, dry location, away from moisture and dust.

PULSE SENSOR TROUBLE-SHOOTING

- Avoid moving your hands while using the pulse sensor. Excessive movement may interfere with heart rate readings.
- Do not hold the metal contacts too tightly; doing so may interfere with heart rate readings.
- For the most accurate heart rate reading, hold the metal contacts for about 15 seconds.
- For optimal performance of the pulse sensor, keep the metal contacts clean. The contacts can be cleaned with a soft cloth—never use alcohol, abrasives, or chemicals.

CONDITIONING GUIDELINES

The following guidelines will help you to plan your exercise program. Remember that proper nutrition and adequate rest are essential for successful results.




WARNING:

Before beginning this or any exercise program, consult your physician. This is especially important for persons over the age of 35 or persons with pre-existing health problems.

The pulse sensor is not a medical device. Various factors may affect the accuracy of heart rate readings. The pulse sensor is intended only as an exercise aid in determining heart rate trends in general.

EXERCISE INTENSITY

Whether your goal is to burn fat or to strengthen your cardiovascular system, the key to achieving the desired results is to exercise with the proper intensity. The proper intensity level can be found by using your heart rate as a guide. The chart below shows recommended heart rates for fat burning, maximum fat burning, and cardiovascular (aerobic) exercise.

165	155	145	140	130	125	115	
145	138	130	125	118	110	103	
125	120	115	110	105	95	90	
20	30	40	50	60	70	80	

To find the proper heart rate for you, first find your age on the bottom line of the chart (ages are rounded off to the nearest ten years). Next, find the three numbers above your age. The three numbers are your “training zone.” The lowest number is the recommended heart rate for fat burning; the middle number is the recommended heart rate for maximum fat burning; the highest number is the recommended heart rate for aerobic exercise.

To measure your heart rate, first exercise for at least four minutes. Then, measure your heart rate using the pulse sensor (see step 5 on page 12).

Fat Burning

To burn fat effectively, you must exercise at a relatively low intensity level for a sustained period of time. During the first few minutes of exercise, your body uses easily accessible *carbohydrate* calories for energy. Only after the first few minutes of exercise does your body begin to use stored *fat* calories for energy. If your goal is to burn fat, adjust the intensity of your exercise until your heart rate is near the lowest number in your training zone as you exercise.

For maximum fat burning, adjust the intensity of your exercise until your heart rate is near the middle number in your training zone as you exercise.

Aerobic Exercise

If your goal is to strengthen your cardiovascular system, your exercise must be “aerobic.” Aerobic exercise is activity that requires large amounts of oxygen for prolonged periods of time. This increases the demand on the heart to pump blood to the muscles, and on the lungs to oxygenate the blood. For aerobic exercise, adjust the intensity of your exercise until your heart rate is near the highest number in your training zone.

WORKOUT GUIDELINES

Each workout should include the following three important parts:

A warm-up, consisting of 5 to 10 minutes of stretching and light exercise. A proper warm-up increases your body temperature, heart rate, and circulation in preparation for exercise.

Training zone exercise, consisting of 20 to 30 minutes of exercising with your heart rate in your training zone. (During the first few weeks of your exercise program, do not keep your heart rate in your training zone for longer than 20 minutes.)

A cool-down, with 5 to 10 minutes of stretching. This will increase the flexibility of your muscles and will help to prevent post-exercise problems.

To maintain or improve your condition, complete three workouts each week, with at least one day of rest between workouts. After a few months of regular exercise, you may complete up to five workouts each week if desired. The key to success is to make exercise a regular and enjoyable part of your everyday life.

PART LIST—Model No. NTCCEL47300

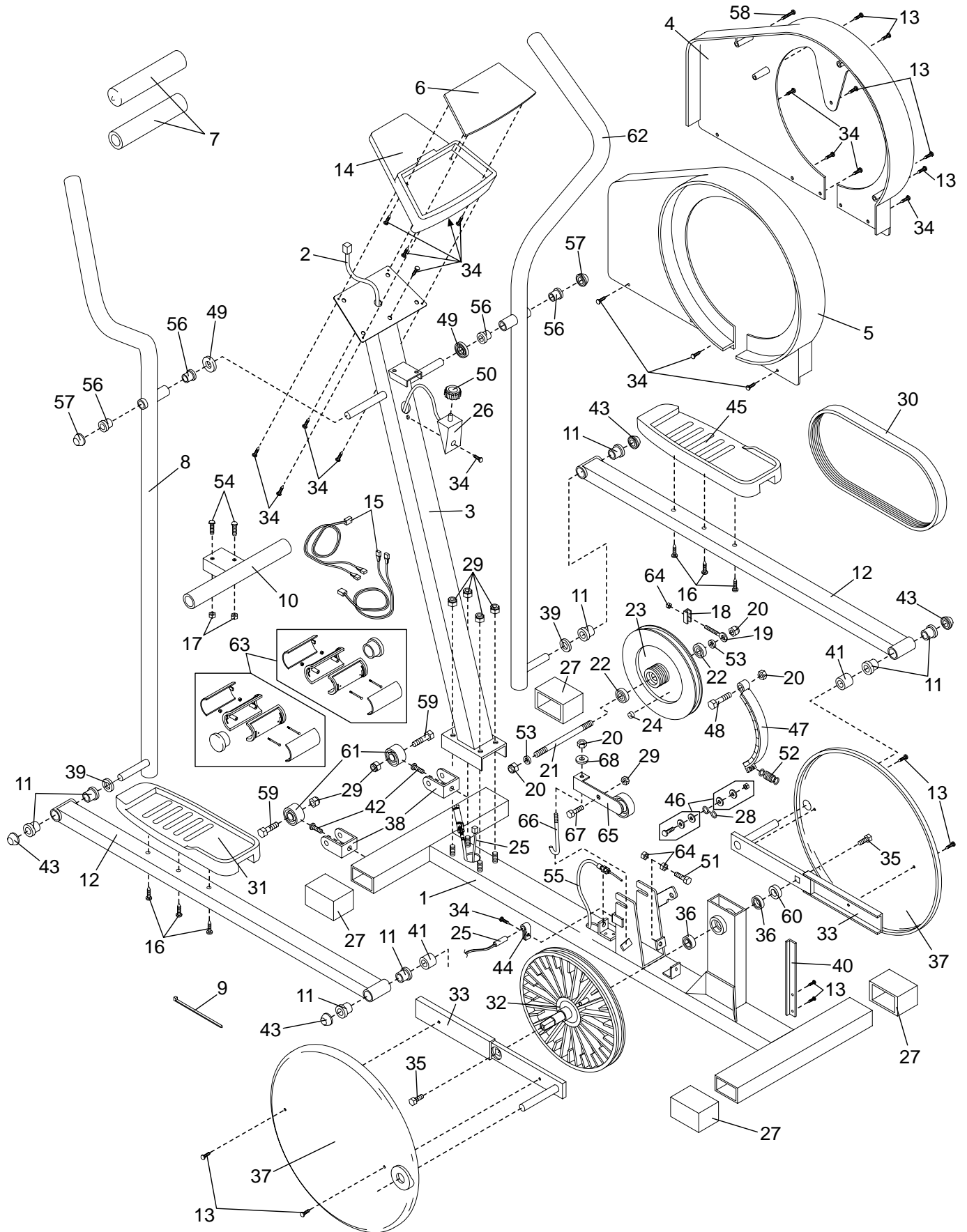
R0800A

Key No.	Qty.	Description	Key No.	Qty.	Description
1	1	Frame	38	2	Wheel Bracket
2	1	Extension Wire	39	2	Handlebar Spacer
3	1	Upright	40	1	Side Shield Bracket
4	1	Right Side Shield	41	2*	Pedal Arm Spacer
5	1	Left Side Shield	42	2	M10 x 25mm Bracket Screw
6	1	Console	43	4*	3/4" Axle Cap
7	2	Foam Handlebar Grip	44	1	Reed Switch Clamp
8	1	Left Handlebar	45	1	Right Pedal
9	1	Plastic Tie	46	1	Cable Clamp Hardware
10	1	T-handle	47	1	"C" Magnet
11	8	Pedal Arm Bushing	48	1	M8 Shoulder Bolt
12	2	Pedal Arm	49	2	Weld Spacer
13	13	M5 x 16mm Screw	50	1	Resistance Control Knob
14	1	Console Base	51	1	M6 x 64mm Bolt
15	2	Pulse Wire	52	1	Return Spring
16	6	M4 x 19mm Flange Screw	53	2	M10 Washer
17	2	M6 Nylon Locknut	54	2	M6 x 16mm Button Head Bolt
18	1	Adjustment Bracket	55	1	Extension Cable
19	1	M6 Eyebolt	56	4	Pivot Bushing
20	4	M8 Nylon Locknut	57	2*	5/8" Axle Cap
21	1	Flywheel Axle	58	1	M4 x 64mm Screw
22	2	Flywheel Bearing	59	2	M10 x 45mm Wheel Bolt
23	1	Flywheel	60	1	3/4" Plastic Spacer
24	1	Magnet	61	2	Wheel
25	1	Reed Switch	62	1	Right Handlebar
26	1	Resistance Control/Cable	63	2	Pulse Grip
27	4	Stabilizer Endcap	64	3	M6 Nut
28	1	Hook	65	1	Idler Arm
29	8	M10 Nylon Locknut	66	1	"J" Bolt
30	1	Belt	67	1	M10 x 25mm Bolt
31	1	Left Pedal	68	1	M8 Split Washer
32	1	Pulley w/Shaft	#	1	User's Manual
33	2	Crank Arm	#	2	Side Shield Decal
34	18	M4 x 16mm Screw	#	1	Warning Decal
35	2	5/16" Zinc Bolt	#	1	Hardware Kit
36	2	Pulley Bearing	#	1	Allen Wrench
37	2	Pedal Disk			

Note: "#" indicates a non-illustrated part. "*" indicates that an extra part may be included. Specifications are subject to change without notice. See the back cover of this manual for information about ordering replacement parts.

EXPLODED DRAWING—Model No. NTCCEL47300

R0800A



CUSTOMER RECORD

Model No.: _____ Serial No.: _____

Retailer Name: _____ Purchase Date: _____

Retailer Address: _____

ORDERING REPLACEMENT PARTS

To order replacement parts, simply call our Customer Service Department toll-free at 1-888-936-4266, Monday through Friday, 8:00 a.m. 6:30 p.m. Eastern Standard Time (excluding holidays). To help us assist you, please be prepared to give the following information when calling:

- The MODEL NUMBER of the product (NTCCEL47300)
- The NAME of the product (NordicTrack® VGR850 elliptical exerciser)
- The SERIAL NUMBER of the product (see the front cover of this manual)
- The KEY NUMBER and the DESCRIPTION of the part(s) (see the PART LIST on page 16 of this manual).

**PLACE
STAMP
HERE**

ICON of Canada Inc.
900 de l'Industrie
St-Jérôme, Québec
Canada, J7Y 4B8


LIMITED WARRANTY

ICON OF CANADA INC., (ICON), warrants this product to be free from defects in workmanship and material, under normal use and service conditions, for a period of ninety (90) days from the date of purchase. This warranty extends only to the original purchaser. ICON's obligation under this warranty is limited to replacing or repairing, at ICON's option, the product at one of its authorized service centers. All products for which warranty claim is made must be received by ICON at one of its authorized service centers with all freight and other transportation charges prepaid, accompanied by sufficient proof of purchase. All returns must be pre-authorized by ICON. This warranty does not extend to any product or damage to a product caused by or attributable to freight damage, abuse, misuse, improper or abnormal usage or repairs not provided by an ICON authorized service center, to products used for commercial or rental purposes, or to products used as store display models. No other warranty beyond that specifically set forth above is authorized by ICON.

ICON is not responsible or liable for indirect, special or consequential damages arising out of or in connection with the use or performance of the product or damages with respect to any economic loss, loss of property, loss of revenues or profits, loss of enjoyment or use, costs of removal, installation or other consequential damages of whatsoever nature. Some provinces do not allow the exclusion or limitation of incidental or consequential damages. Accordingly, the above limitation may not apply to you. The warranty extended hereunder is in lieu of any and all other warranties and any implied warranties of merchantability or fitness for a particular purpose is limited in its scope and duration to the terms set forth herein. Some provinces do not allow limitations on how long an implied warranty lasts. Accordingly, the above limitation may not apply to you.

This warranty gives you specific legal rights. You may also have other rights which vary from province to province or so specified by the retailer of your equipment.

ICON OF CANADA, 900 de l'Industrie, St. Jérôme, QC J7Y 4B8

 WEIDER PRO-FORM WESLO		PRODUCT WARRANTY REGISTRATION	
IMPORTANT: MAIL WITHIN 14 DAYS OF PURCHASE			
NAME: _____		PHONE: _____	
ADDRESS: _____			
COUNTY: _____		POSTCODE: _____	
MODEL NO.: _____		SERIAL NO.: _____	PURCHASE DATE: _____
RETAILER NAME: _____		RETAILER ADDRESS: _____	
1) Primary user(s) of product: <input type="radio"/> Male <input type="radio"/> Female <input type="radio"/> Family	2) Age of primary user: <input type="radio"/> 0-24 <input type="radio"/> 35-44 <input type="radio"/> 55-64 <input type="radio"/> 25-34 <input type="radio"/> 45-54 <input type="radio"/> 65 and over	8) Did you consider purchasing fitness equipment from another manufacturer? <input type="radio"/> No <input type="radio"/> Yes What other Manufacturer? _____	
3) Annual household income: <input type="radio"/> 0-9,999 <input type="radio"/> 15,000-19,999 <input type="radio"/> 10,000-14,999 <input type="radio"/> 20,000+	4) How many times a week do you exercise? <input type="radio"/> Less than 3 times <input type="radio"/> 3 times or more	9) Based on your impression of what you have purchased, would you buy another ICON product? <input type="radio"/> Yes <input type="radio"/> No <input type="radio"/> No Opinion If not, what other brand name equipment would you purchase? _____	
5) Have you ever purchased an ICON product before? <input type="radio"/> Yes <input type="radio"/> No	6) Where did you first see or hear about ICON products? <input type="radio"/> Magazine <input type="radio"/> Friend/relative <input type="radio"/> Newspaper Ad <input type="radio"/> Store <input type="radio"/> Other	10) What other type of exercise equipment do you own? <input type="radio"/> Bicycle <input type="radio"/> Exercise Cycle <input type="radio"/> Treadmill <input type="radio"/> Home Gym <input type="radio"/> Weight Bench <input type="radio"/> Stepper <input type="radio"/> Cardio Glide <input type="radio"/> Other	
7) What was the primary reason for purchasing this ICON product? <input type="radio"/> Store Employee <input type="radio"/> Television Ads <input type="radio"/> Colour <input type="radio"/> Electronic Features <input type="radio"/> Magazine Ads <input type="radio"/> Price <input type="radio"/> Product Design <input type="radio"/> Product Innovation <input type="radio"/> Other Features	11) Which type of magazines do you read regularly? <input type="radio"/> Sports <input type="radio"/> Fitness <input type="radio"/> Motoring <input type="radio"/> Business <input type="radio"/> Computer <input type="radio"/> General	12) Do you wish to be sent further bulletins about ICON products? <input type="radio"/> Yes <input type="radio"/> No	
THANK YOU FOR YOUR TIME			
© 2000 ICON of Canada, Inc. Printed in China			

Free Manuals Download Website

<http://myh66.com>

<http://usermanuals.us>

<http://www.somanuals.com>

<http://www.4manuals.cc>

<http://www.manual-lib.com>

<http://www.404manual.com>

<http://www.luxmanual.com>

<http://aubethermostatmanual.com>

Golf course search by state

<http://golfingnear.com>

Email search by domain

<http://emailbydomain.com>

Auto manuals search

<http://auto.somanuals.com>

TV manuals search

<http://tv.somanuals.com>