

AireCare™ Electronic Air Filter

Installation Instructions

For M1 and E2 Series Furnaces

Congratulations on your installation of an AireCare™ Electronic Air Filter - the newest and one of the most efficient ways to reduce indoor air pollution in the home. Used correctly, it will help protect your indoor environment from allergy causing pollutants such as pollen, plant spores, lung damaging particles like tobacco and cooking smokes, fungi, bacteria, and some viruses.

IMPORTANT: Read all instructions carefully before starting the installation. Specifications or designs are subject to change or discontinuance without notice and without incurring obligations.

These instructions are primarily intended to assist qualified individuals experienced in the proper installation of heating and/or air conditioning appliances. Some local codes require licensed installation/service personnel for this type of equipment.

WARNING:

Improper installation may damage equipment, create a hazard, and will void the warranty. DO NOT CONNECT TO 110 Volts AC - the unit is designed to operate on 24 VAC.

DANGER:

Shut off electrical supply to the furnace at the household breaker box to prevent electrical shock and avoid injury.

M1 AireCare™ Electronic Air Filter Installation Instructions

Before starting this installation, make sure that all electrical power to the furnace has been disconnected.

The M1 AireCare™ Electronic Air Filter kit consists of two brackets, four screws, a filter grille, two protective edging strips, and the electronic air filter with power cable. To install the kit, the two brackets must be mounted onto the door of the M1 furnace as shown in Figure 1.

Install the Brackets

1. Install the protective sheet metal edging strips into the upper left louver of the M1 door (See Figure 1).
2. Locate the bottom bracket (See Figure 1) and remove the protective tape from the back.
3. Place the bracket into the bottom louver of the M1 door with the flange pointing towards the top of the door. Permanently mount the bracket to the door using two of the supplied screws.
4. Locate the top bracket (See Figure 1) and remove the protective tape from the back.
5. Place the bracket into the top louver of the M1 door with the flange pointing towards the bottom of the door. Permanently mount the bracket to the door using two of the supplied screws.

Install the Filter

1. Connect the electronic air filter power wires (24 VAC) to the red and gray low voltage terminals (R and C). Run this wire through the left side of the top louver of the M1 door. Connect the power wire marked with white stripe or dash to C, the other to R. Place the door on the furnace and latch.
2. Place the electronic air filter into the brackets on the door by inserting it up into the top bracket then allowing it to drop into the bottom bracket.
3. Connect the electronic air filter power wire jack into the filter. Power the furnace. The AireCare™ Electronic Air Filter is active if the light on top of the electronic air filter is lit.
4. Place the filter grille over the top bracket. There are two tabs that attach the grille to the top bracket. The grille will now fit over the bottom bracket and is held there by a permanent magnetic.

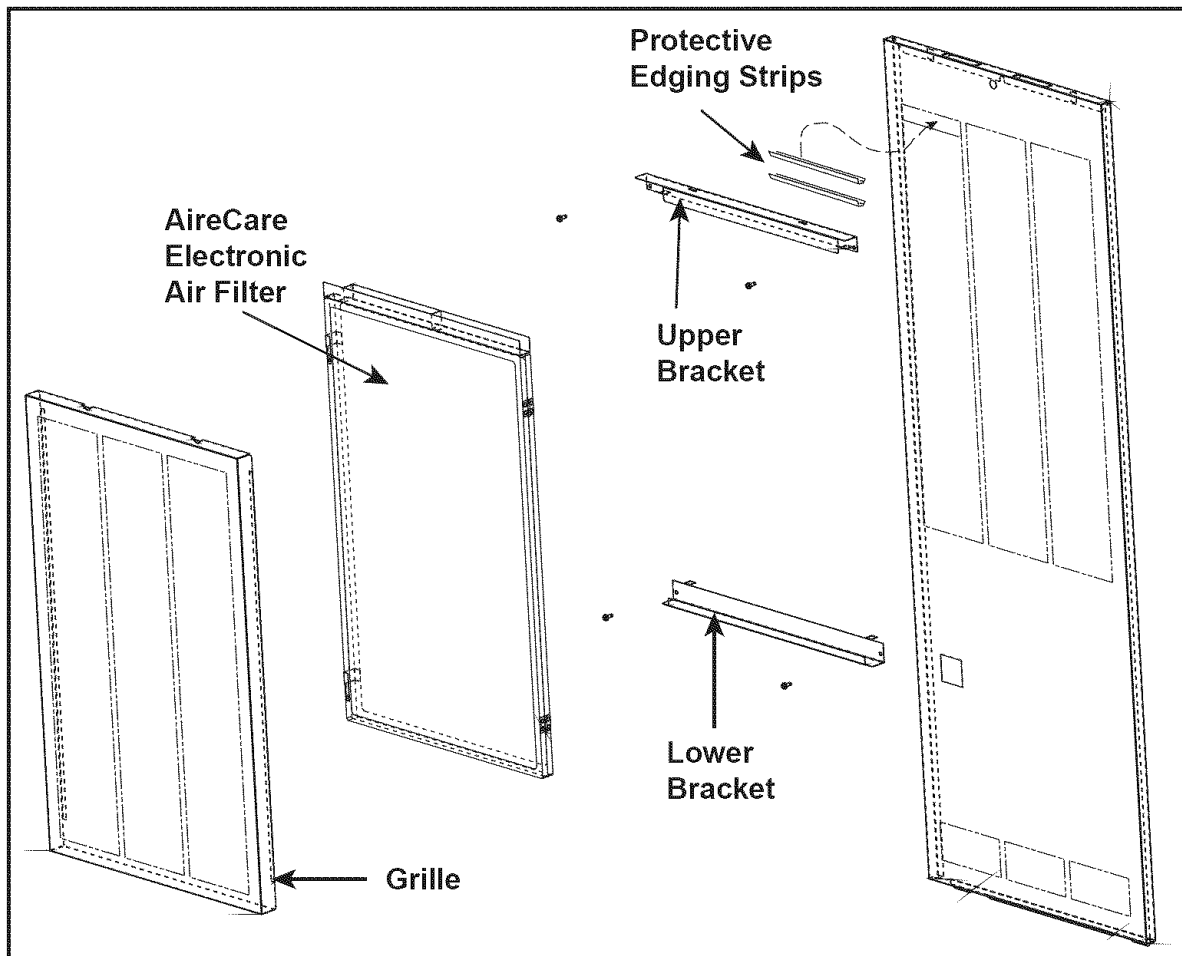


Figure 1. M1 Bracket Installation

E2 AireCare™ Electronic Air Filter Installation Instructions (2-4 Ton A/C)

Before starting this installation, make sure that all electrical power to the furnace has been disconnected.

The E2 electronic air filter kit consists of one filter bracket, two screws, and the electronic air filter with power cable.

Install the Brackets

1. Remove the grille from the top of the furnace.
2. As shown in Figure 2, place the filter bracket into the grille frame and attach using the two screws provided.

Install the Electronic Air Filter

1. Connect the electronic air filter power wires (24 VAC) to the red and gray (or black) low voltage terminals (R and C) in the E2 furnace. Connect the power wire marked with a white stripe or dash to C, the other to R.
2. Place the filter into the filter bracket and connect the filter power cable by plugging it into the connector located at the top of the filter.
3. Turn on power to the furnace. The AireCare™ Electronic Air Filter is active if the light on top of the electronic air filter is lit.
4. Replace the grille.

E2 AireCare™ Electronic Air Filter Installation Instructions (5 Ton A/C)

Before starting this installation, make sure that all electrical power to the furnace has been disconnected.

The 5 Ton E2 AireCare™ Electronic Air Filter kit consists of a through the wall grille and frame kit and the electronic air filter with power cable.

Install Frame

1. Cut a rough-in opening (20" wide by 30" high) in the door or wall enclosing the E2 furnace.
2. Mount the frame kit into the opening using screw or wall board anchors.

Connect the AireCare™ Electronic Air Filter

1. Connect the electronic air filter power wires (24 VAC) to the red and gray (or black) low voltage terminals (R and C). Run this wire from the E2 furnace to the electronic air filter and frame. Connect the power wire marked with a white stripe or dash to C, the other to R.
2. Place the electronic air filter into the frame and connect the filter power cable by plugging it into the connector located at the top of the electronic air filter.
3. Turn on power to the furnace. The AireCare™ Electronic Air Filter is active if the light on top of the electronic air filter is lit.
4. Cover electronic air filter with supplied grille.

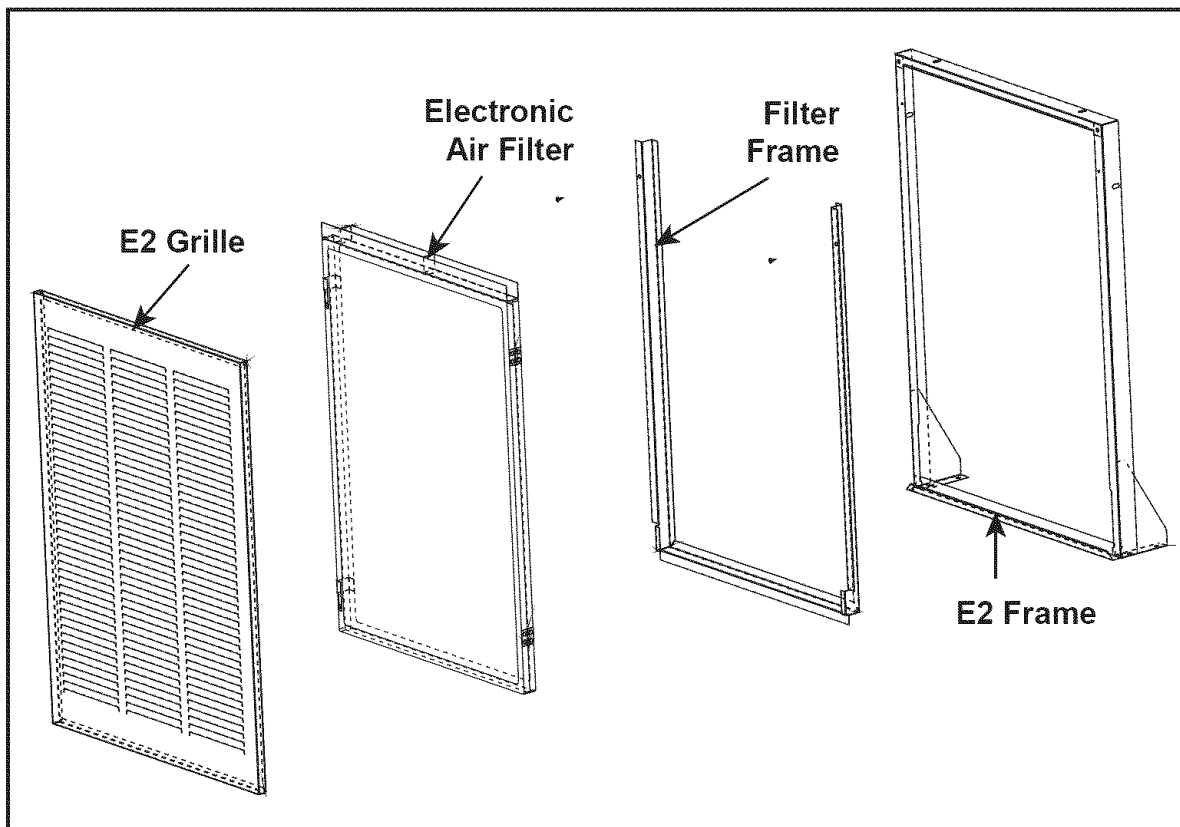


Figure 1. E2 Bracket Installation

Maintenance

Before using your new AireCare™ Electronic Air Filter, hold it up to a strong light. You will notice a clearly visible rectangular frame sandwiched in the center of the electronic air filter. As the electronic air filter is used, the glass fiber pads in the filter will become imbedded with dirt. ONCE A MONTH, disconnect the power cord, remove the filter from your heating/cooling unit, and vacuum any heavy dust accumulation from the outside screens with a soft brush attached to the vacuum hose. Once this is done, hold the electronic air filter up to a strong light. If you can see the outline inside the frame (as described above), put the filter back into your unit.

When you can no longer see the outline of the inside frame, it is time to replace the glass fiber pads. These are available from your NORDYNE distributor. Please refer to the distributor list included with the furnace homeowner packet for the distributor nearest you. The filter pads will normally have to be replaced every three to six months.

Furnace Unit	Fiber Pads 3 pair/bag
M1 (Gas/Oil)	903603
E2 5 Ton	903602
E2 2-4 Ton	903601

Table 1. Replacement Stock Numbers

Replacing the Glass Fiber Pads

1. Turn off power to the furnace.
2. Unplug the electronic air filter from the power cord.
3. After vacuuming any accumulated dust from the outside screens, undo the two clips holding the halves of the electronic air filter together and open like a book.
4. Note that the electrode (a metal screen) is located between the glass fiber pads. **Both**

the electrode and its connecting wire must be located between the pads when they are replaced.

5. Remove and discard the two dirty pads.
6. With the electronic air filter lying open on a flat surface, insert two clean pads. Make sure the pads are well centered in the frame, and the one pad goes under the electrode.
7. Close the filter and replace the two clips which hold it together. Ensure that the pads did not shift as you close it (there should be no gaps between the fiber pads and the edge of the frame).
8. Reconnect the power cord. Make sure the power light is on, and put the AireCare™ Electronic Air Filter back in your furnace.

General Notes

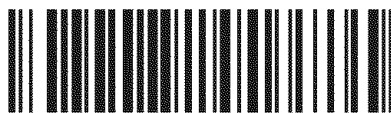
If the indicator light does not come on when the electronic air filter is connected, this indicates the filter is not working. Check cable connections, fuse and power source. If these appear correct contact your NORDYNE distributor.

Normal maintenance periods are EVERY MONTH to remove accumulated dust from the outside screens, and EVERY THREE TO SIX MONTHS to replace the glass fiber pads.

Neither the electronic air filter nor the glass fiber pads can be cleaned by washing or immersing in water. If you wish to clean the electronic air filter, wipe gently with a cloth soaked in paint thinner. This should be done outside or in a well ventilated area.

Use only genuine AireCare™ replacement glass fiber pads. Substitutes will not work as well, if at all.

If you experience any difficulties with your AireCare™ Electronic Air Filter, contact your NORDYNE distributor.



707831C

Free Manuals Download Website

<http://myh66.com>

<http://usermanuals.us>

<http://www.somanuals.com>

<http://www.4manuals.cc>

<http://www.manual-lib.com>

<http://www.404manual.com>

<http://www.luxmanual.com>

<http://aubethermostatmanual.com>

Golf course search by state

<http://golfingnear.com>

Email search by domain

<http://emailbydomain.com>

Auto manuals search

<http://auto.somanuals.com>

TV manuals search

<http://tv.somanuals.com>