

# Installing Media Dependent Adapters (MDAs)

Part No. 302403-F Rev 00  
March 2001



## **Copyright © 2001 Nortel Networks.**

All rights reserved. March 2001.

### **Trademarks**

Nortel Networks, the Nortel Networks logo, the Globemark, Unified Networks, BayStack, and Business Policy Switch 2000 are trademarks of Nortel Networks.

### **Statement of Conditions**

In the interest of improving internal design, operational function, and/or reliability, Nortel Networks Inc. reserves the right to make changes to the products described in this document without notice.

Nortel Networks Inc. does not assume any liability that may occur due to the use or application of the product(s) or circuit layout(s) described herein.

### **Federal Communications Commission (FCC) Compliance Notice: Radio Frequency Notice**

Note: This equipment has been tested and found to comply with the limits for a Class A digital device, pursuant to Part 15 of the FCC rules. These limits are designed to provide reasonable protection against harmful interference when the equipment is operated in a commercial environment. This equipment generates, uses, and can radiate radio frequency energy. If it is not installed and used in accordance with the instruction manual, it may cause harmful interference to radio communications. Operation of this equipment in a residential area is likely to cause harmful interference, in which case users will be required to take whatever measures may be necessary to correct the interference at their own expense.

### **EN 55 022 Declaration of Conformance**

This is to certify that the Nortel Networks MDAs are shielded against the generation of radio interference in accordance with the application of Council Directive 89/336/EEC, Article 4a. Conformity is declared by the application of EN 55 022 Class A (CISPR 22).

**Warning:** This device is a Class A product. In a domestic environment, this product may cause radio interference, in which case, the user may be required to take appropriate measures.

These products conform to the provisions of Council Directive 89/336/EEC and 72/23/EEC. The Declaration of Conformity is available on the Nortel Networks World Wide Web site at [www.nortelnetworks.com](http://www.nortelnetworks.com).

# Introduction

This guide shows how to install media dependent adapters (MDAs) into supported Nortel Networks\* products.

Table 1 lists the available MDA models.

**Table 1. MDA Models**

<b>Interface Type</b>	<b>Model</b>	<b>Refer to:</b>
10BASE-T/100BASE-TX (UTP)	<ul style="list-style-type: none"><li>• 400-4TX MDA</li><li>• 8100-4TX MDA</li><li>• BPS2000-4TX MDA</li></ul>	page 3
100BASE-FX (Fiber)	<ul style="list-style-type: none"><li>• 400-2FX MDA</li><li>• 8100-2FX MDA</li><li>• BPS2000-2FX MDA</li><li>• 400-4FX MDA</li><li>• 8100-4FX MDA</li><li>• BPS2000-4FX MDA</li></ul>	page 8
1000BASE-SX (Shortwave gigabit fiber)	<ul style="list-style-type: none"><li>• 450-1SR MDA</li><li>• 450-1SX MDA</li></ul>	page 21
1000BASE-LX (Longwave gigabit fiber)	<ul style="list-style-type: none"><li>• 450-1LR MDA</li><li>• 450-1LX MDA</li></ul>	page 24
ATM	<ul style="list-style-type: none"><li>• 450-2M3 MDA</li><li>• 450-2S3 MDA</li></ul>	page 27
GBIC	<ul style="list-style-type: none"><li>• 450-1GBIC MDA</li></ul>	page 31

Nortel Networks is constantly adding new models and features to existing product lines; for a full range of MDAs that are available from Nortel Networks, see your Nortel Networks sales representative.

Table 2 lists the supported Nortel Networks products.

**Table 2. Supported Products/Minimum SW Versions**

<b>Model</b>	<b>BayStack 350<sup>1</sup>/450</b>	<b>BayStack 410-24T</b>	<b>Passport 8132</b>	<b>Business Policy Switch<sup>2</sup></b>
400-4TX MDA	Yes/V1.0	Yes/V1.0	No	No
400-2FX MDA	Yes/V1.0	Yes/V1.0	No	No
400-4FX MDA	Yes/V1.3	Yes/V1.3	No	No
450-1SR MDA	Yes/V1.0	No	Yes/V1.0	Yes/V1.0
450-1SX MDA	Yes/V1.0	No	Yes/V1.0	Yes/V1.0
450-1LR MDA	Yes/V1.0	No	Yes/V1.0	Yes/V1.0
450-1LX MDA	Yes/V1.0	No	Yes/V1.0	Yes/V1.0
450-2M3 MDA	Yes/V4.0	No	No	No
450-2S3 MDA	Yes/V4.0	No	No	No
8100-4TX MDA	Yes/V1.0	Yes/V1.0	Yes/V1.0	No
8100-2FX MDA	Yes/V1.0	Yes/V1.0	Yes/V1.0	No
8100-4FX MDA	Yes/V1.3	Yes/V1.3	Yes/V1.0	No
BPS2000-4TX MDA	No	No	No	Yes/V1.0
BPS2000-2FX MDA	No	No	No	Yes/V1.0
BPS2000-4FX MDA	No	No	No	Yes/V1.0
450-1GBIC MDA	Yes/V4.0	No	No	Yes/V1.1

<sup>1</sup> BayStack 350 10/100/1000 Series switches only.

<sup>2</sup> In this document, the term "Business Policy Switch" refers to the Nortel Networks Business Policy Switch 2000<sup>®</sup>.



**Note:** The MDAs are *not* hot-swappable. Power down the BayStack switch or disconnect the Passport 8132 module from the switch backplane before installing or removing an MDA.

---

## 10BASE-T/100BASE-TX MDAs

This section describes three 10BASE-T/100BASE-TX MDA models. The three models can support various product lines (see Table 2 on page 2 for a complete list of supported product lines). For installation instructions, see “Installing an MDA” on page 35.

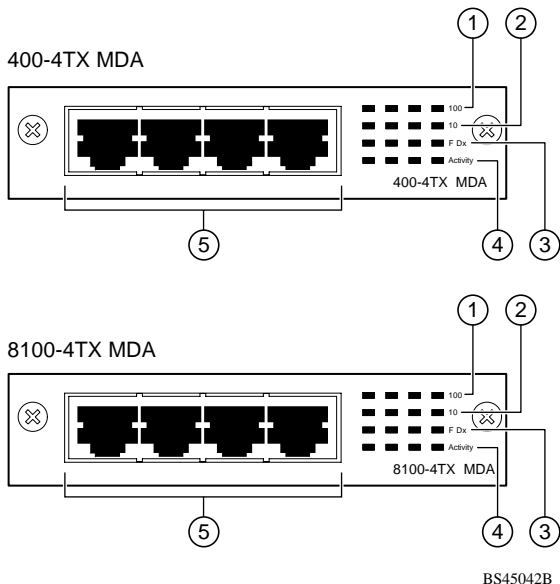
The three 10BASE-T/100BASE-TX MDA models are:

- 400-4TX MDA  
Not supported on the Business Policy Switch or Passport 8132.
- 8100-4TX MDA  
Supports BayStack 350/450/410 and Passport 8132.
- BPS2000-4TX MDA  
Supports the Business Policy Switch.

The three models each use four 10BASE-T/100BASE-TX RJ-45 (8-pin modular) connectors, that are configured as media dependent interface-crossover (MDI-X) connectors. These ports connect over straight cables to the network interface controller (NIC) card in a node or server, similar to a conventional Ethernet repeater hub.

If you connect to another Ethernet hub or Ethernet switch, you need a crossover cable unless an MDI connection exists on the associated port of the attached device.

Figure 1 shows the 400-4TX MDA and the 8100-4TX MDA.



**Figure 1. 400-4TX and 8100-4TX MDAs**

The 10BASE-T/100BASE-TX MDA ports can operate at either 10 Mb/s or 100 Mb/s. The port speed is determined through autonegotiation with its connecting device.

Table 3 describes the 400-4TX MDA and the 8100-4TX MDA front-panel components.

**Table 3. 400-4TX / 8100-4TX MDA**

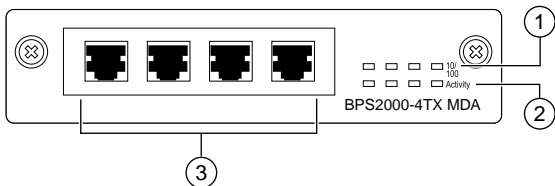
<b>Item</b>	<b>Label</b>	<b>Description</b>
1	100	100BASE-TX port status LEDs (green):  On: The corresponding port is set to operate at 100 Mb/s.  Off: The link connection is bad or there is no connection to this port.  Blinking: The corresponding port is management disabled.
2	10	10BASE-T port status LEDs (green):  On: The corresponding port is set to operate at 10 Mb/s.  Off: The link connection is bad or there is no connection to this port.  Blinking: The corresponding port is management disabled.

*(continued)*

**Table 3. 400-4TX / 8100-4TX MDA (continued)**

Item	Label	Description
3	F Dx	Full-duplex port status LEDs (green):  On: The corresponding port is in full-duplex mode.  Off: The corresponding port is in half-duplex mode.
4	Activity	Port activity LEDs (green):  Blinking: Indicates the network activity level for the corresponding port. A high level of network activity can cause LEDs to appear to be on continuously.
5		10BASE-T/100BASE-TX RJ-45 (8-pin modular) port connectors.

Figure 2 shows the BPS2000-4TX MDA.



9792EA

**Figure 2. BPS2000-4TX MDA**



Table 4 describes the BPS2000-4TX MDA front-panel components.

**Table 4. BPS2000-4TX MDA**

---

<b>Item</b>	<b>Label</b>	<b>Description</b>
1	10/100	10BASE-T/100BASE-TX port status LEDs:  On (green): The corresponding port is set to operate at 100 Mb/s.  On (yellow): The corresponding port is set to operate at 10 Mb/s.  Off: The link connection is bad or there is no connection to this port.
2	Activity	Port activity LEDs (green):  Blinking (green): Indicates the network activity level for the corresponding port. A high level of network activity can cause LEDs to appear to be on continuously.  Off: No traffic to this port.
3		10BASE-T/100BASE-TX RJ-45 (8-pin modular) port connectors.

---

## 100BASE-FX MDAs

---



**Warning:** Fiber optic equipment can emit laser or infrared light that can injure your eyes. Never look into an optical fiber or connector port. Always assume that fiber optic cables are connected to a light source.

---



**Vorsicht:** Glasfaserkomponenten können Laserlicht bzw. Infrarotlicht abstrahlen, wodurch Ihre Augen geschädigt werden können. Schauen Sie niemals in einen Glasfaser-LWL oder ein Anschlußteil. Gehen Sie stets davon aus, daß das Glasfaserkabel an eine Lichtquelle angeschlossen ist.

---



**Avertissement:** L'équipement à fibre optique peut émettre des rayons laser ou infrarouges qui risquent d'entraîner des lésions oculaires. Ne jamais regarder dans le port d'un connecteur ou d'un câble à fibre optique. Toujours supposer que les câbles à fibre optique sont raccordés à une source lumineuse.

---



**Advertencia:** Los equipos de fibra óptica pueden emitir radiaciones de láser o infrarrojas que pueden dañar los ojos. No mire nunca en el interior de una fibra óptica ni de un puerto de conexión. Suponga siempre que los cables de fibra óptica están conectados a una fuente luminosa.

---



**Avvertenza:** Le apparecchiature a fibre ottiche emettono raggi laser o infrarossi che possono risultare dannosi per gli occhi. Non guardare mai direttamente le fibre ottiche o le porte di collegamento. Tenere in considerazione il fatto che i cavi a fibre ottiche sono collegati a una sorgente luminosa.

---



**警告:** 光ファイバ装置は目に有害なレーザー光や赤外線を放射することがあります。光ファイバやコネクタ・ポートを覗き込まないでください。光ファイバ・ケーブルは光源に接続されているものと思ってください。

---

This section describes the six 100BASE-FX MDA models (three dual-port and three quad-port models).

The six models can support various product lines (see Table 2 on page 2 for a complete list of supported product lines).

The 100BASE-FX MDA models conform to the IEEE 802.3u 100BASE-FX standard and can be used to attach fiber-based 100 Mb/s connections to other compatible Fast Ethernet devices.

Single-mode fiber cable is not supported.

For installation instructions, see “Installing an MDA” on page 35.

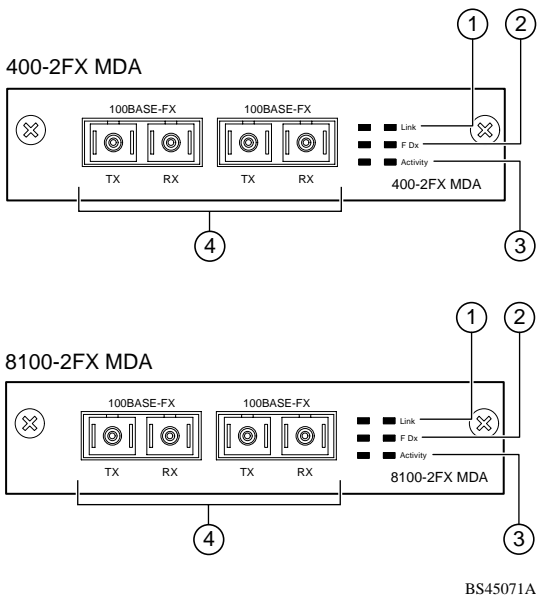
## Dual-Port 100BASE-FX Models

The three dual-port models are:

- 400-2FX MDA  
Not supported on the Business Policy Switch and Passport 8132.
- 8100-2FX MDA  
Supports BayStack 350/450, BayStack 410, and Passport 8132 Modules.
- BPS2000-2FX MDA  
Supports the Business Policy Switch.

The three dual-port 100BASE-FX MDA models each use two longwave 1300 nm SC connectors to attach devices over 62.5/125 micron multimode fiber optic cable.

Figure 3 shows the 400-2FX MDA and the 8100-2FX MDAs.



BS45071A

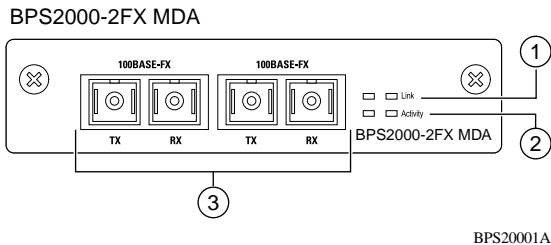
**Figure 3. 400-2FX and 8100-2FX MDAs**

Table 5 describes the 400-2FX MDA and the 8100-2FX MDA front-panel components.

**Table 5. 400-2FX MDA / 8100-2FX MDA Description**

<b>Item</b>	<b>Label</b>	<b>Description</b>
1	Link	Communications link LEDs (green):  On: Valid communications link.  Off: Invalid communications link or no connection to this port.  Blinking: The corresponding port is management disabled.
2	F Dx	Full-duplex port status LEDs (green):  On: The corresponding port is in full-duplex mode.  Off: The corresponding port is in half-duplex mode.
3	Activity	Port activity LEDs (green):  Blinking: Indicates the network activity level for the corresponding port. A high level of network activity can cause LEDs to appear to be on continuously.
4		100BASE-FX port connectors: Models 400-2FX and 8100-2FX use SC connectors.

Figure 4 shows the BPS2000-2FX MDA.



**Figure 4. BPS2000-2FX MDA**

Table 6 describes the BPS2000-2FX MDA front-panel components.

**Table 6. BPS2000-2FX MDA Description**

Item	Label	Description
1	Link	Link status LEDs (green):  On (green): Valid 100 Mb/s communications link.  Off: No link activity.

*(continued)*

**Table 6. BPS2000-2FX MDA Description** *(continued)*

Item	Label	Description
2	Activity	Port activity LEDs (green):  On: Indicates the network activity level for the corresponding port. A high level of network activity can cause LEDs to appear to be on continuously.  Off: No activity.
3		100BASE-FX port connectors: The BPS2000-2FX MDA uses SC connectors.

### **Quad-Port 100BASE-FX Models**

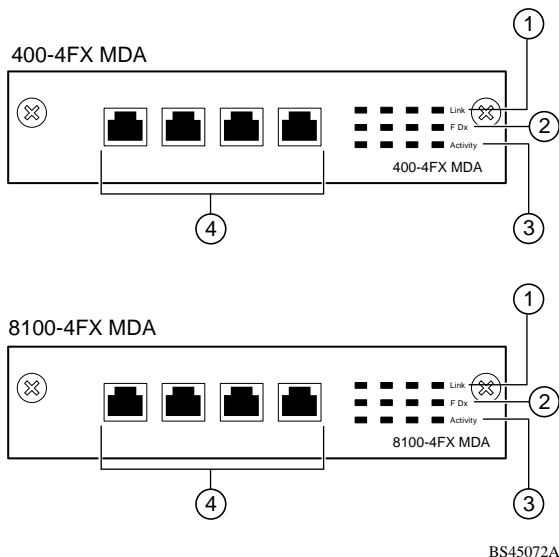
The three quad-port models are:

- 400-4FX MDA  
Not supported on the Business Policy Switch or Passport 8132.
- 8100-4FX MDA  
Supports BayStack 350/450, BayStack 410, and Passport 8132 Modules.
- BPS2000-4FX MDA  
Supports the Business Policy Switch.

The three quad-port 100BASE-FX models each use four longwave 1300 nm MT-RJ connectors to attach devices over 62.5/125 micron multimode fiber optic cable.



Figure 5 shows the 400-4FX MDA and the 8100-4FX MDA.



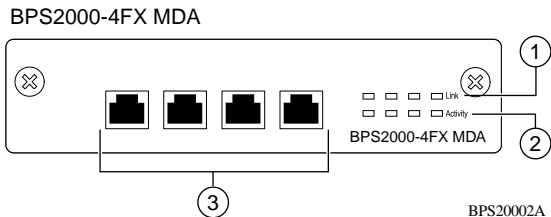
**Figure 5. 400-4FX and 8100-4FX MDAs**

Table 7 describes the 400-4FX MDA and the 8100-4FX MDA front-panel components.

**Table 7. 400-4FX MDA / 8100-4FX MDA Description**

<b>Item</b>	<b>Label</b>	<b>Description</b>
1	Link	Communications link LEDs (green):  On: Valid communications link.  Off: Invalid communications link or no connection to this port.  Blinking: The corresponding port is management disabled.
2	F Dx	Full-duplex port status LEDs (green):  On: The corresponding port is in full-duplex mode.  Off: The corresponding port is in half-duplex mode.
3	Activity	Port activity LEDs (green):  Blinking: Indicates the network activity level for the corresponding port. A high level of network activity can cause LEDs to appear to be on continuously.
4		100BASE-FX port connectors: Models 400-4FX and 8100-4FX use MT-RJ connectors.

Figure 6 shows the BPS2000-4FX MDA.



**Figure 6. BPS2000-4FX MDA**

Table 8 describes the BPS2000-4FX MDA front-panel components.

**Table 8. BPS2000-4FX MDA Description**

Item	Label	Description
1	Link	Link status LEDs (green):  On (green): Valid 100 Mb/s communications link.  Off: No link activity.

*(continued)*

**Table 8. BPS2000-4FX MDA Description** *(continued)*

<b>Item</b>	<b>Label</b>	<b>Description</b>
2	Activity	Port activity LEDs (green):  On: Indicates the network activity level for the corresponding port. A high level of network activity can cause LEDs to appear to be on continuously.  Off: No activity.
3		100BASE-FX port connectors: The BPS2000-4FX MDA uses MT-RJ connectors.

## 1000BASE-X MDAs

---



**Warning:** This is a Class 1 Laser/LED product. It contains a laser light source that can injure your eyes. Never look into an optical fiber or connector port. Always assume that the fiber optic cable or connector is connected to a laser light source.

---



**Vorsicht:** Dieses Laser/LED-Produkt der Klasse 1 enthält eine Laserlichtquelle, die zu Augenverletzungen führen kann. Sehen Sie nie in einen Lichtwellenleiter oder Glasfaserstecker-Port. Gehen Sie immer davon aus, daß das Glasfaserkabel oder der Glasfaserstecker an eine Laserlichtquelle angeschlossen ist.

---



**Avertissement:** Ceci est un appareil Laser/DEL de Classe 1. Cet appareil contient une source lumineuse à rayons laser dangereuse pour les yeux. Ne regardez jamais directement une fibre optique ou un port de connexion. Agissez toujours comme si le câble de fibres optiques ou le connecteur était relié à une source lumineuse à rayons laser.

---



**Advertencia:** Éste es un producto láser/LED de Clase 1. Contiene una fuente de luz láser que puede causar lesiones en los ojos. Nunca mire dentro de un cable o de un puerto de conexión de fibra óptica. Asuma siempre que el cable o el conector de fibra óptica está conectado a una fuente de luz láser.

---



**Avvertenza:** Questo è un prodotto laser/LED di Classe 1 e contiene una sorgente luminosa a laser che può danneggiare gli occhi. Non guardare mai all'interno di una port a fibra ottica o di una porta connettore. Dare sempre per scontato che il cavo di fibra ottica o il connettore siano collegati ad una sorgente luminosa a laser.

---



**警告:**これはクラス1レーザー/LED製品です。目に障害を与える恐れのあるレーザー光源が含まれています。光ファイバおよびコネクタポートは、のぞき込まないようにしてください。光ファイバ・ケーブルまたはコネクタは、常にレーザー光源に接続されているものと想定してください。

---

This section describes the four 1000BASE-X MDA models:

Two shortwave gigabit models:

- 450-1SR MDA
- 450-1SX MDA

Two longwave gigabit models:

- 450-1LR MDA
- 450-1LX MDA

The four models can support various product lines (see Table 2 on page 2 for a complete list of supported product lines). For installation instructions, see “Installing an MDA” on page 35.

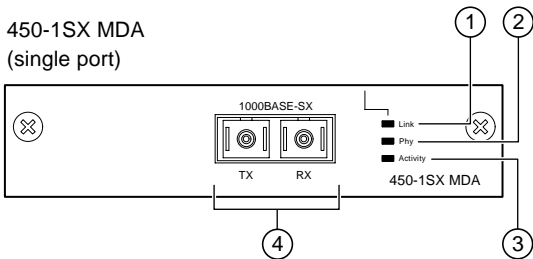
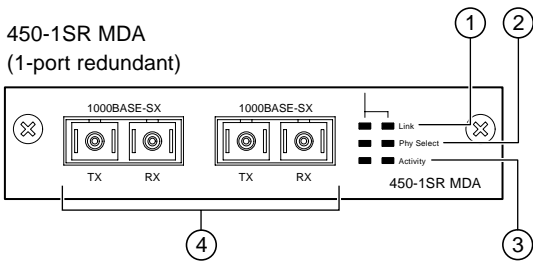
## Shortwave Gigabit Models

The two 1000BASE-SX (shortwave gigabit) MDA models are:

- 450-1SR MDA -- single MAC MDA with a separate redundant Phy (backup Phy port). Only one Phy port can be active at any time. If the active Phy port fails, the redundant Phy port automatically becomes the active port.
- 450-1SX MDA -- single PHY MDA.

Both models conform to the IEEE 802.3z 1000BASE-SX standard and use shortwave 850 nm fiber optic connectors to connect devices over multimode (550 m/1805 ft) fiber optic cable.

Figure 7 shows the 450-1SR MDA and the 450-1SX MDA.



BS45044A

**Figure 7. 450-1SR and 450-1SX MDA Front Panels**



Table 9 describes the 450-1SR MDA and the 450-1SX MDA front-panel components.

**Table 9. 450-1SR / 450-1SX MDA Description**

<b>Item</b>	<b>Label</b>	<b>Description</b>
1	Link	Communication link LEDs (green):  On: Valid communications link.  Off: The communications link connection is bad or there is no connection to this port.  Blinking: The corresponding port is management disabled.
2	Phy (or) Phy Select	Phy status LEDs (green):  On: The corresponding Phy port is active.  Off: The corresponding Phy port is in backup mode or there is no connection to this port.
3	Activity	Port activity LEDs (green):  Blinking: Indicates network activity level for the corresponding port. A high level of network activity can cause LEDs to appear to be on continuously.
4		1000BASE-X SC port connectors.

## Longwave Gigabit Models

The two 1000BASE-LX (longwave gigabit) MDA models are:

- 450-1LR MDA -- single MAC MDA with a separate redundant Phy (backup Phy port). Only one Phy port can be active at any time. If the active Phy port fails, the redundant Phy port automatically becomes the active port.
- 450-1LX MDA -- single Phy MDA.

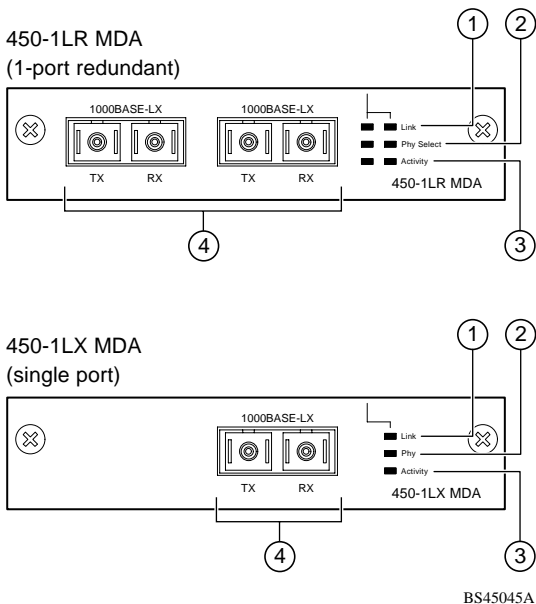
Both models conform to the IEEE 802.3z 1000BASE-LX standard and use longwave 1300 nm fiber optic connectors to connect devices over single mode (5 km/3.1 mi) or multimode (550 m/1805 ft) fiber optic cable.



**Note:** The optical performance of this transceiver cannot be guaranteed when connected to a multimode fiber plant without the use of the special offset SMF/MMF mode conditioning patch cord (see “1000BASE-LX Multimode Applications” on page 42).

---

Figure 8 shows the 450-1LR MDA and the 450-1LX MDA.



**Figure 8. 450-1LR and 450-1LX MDA Front Panels**

Table 10 describes the 450-1LR MDA and the 450-1LX MDA front-panel components.

**Table 10. 450-1LR and 450-1LX MDA Description**

<b>Item</b>	<b>Label</b>	<b>Description</b>
1	Link	Communication link LEDs (green):  On: Valid communications link.  Off: The communications link connection is bad or there is no connection to this port.  Blinking: The corresponding port is management disabled.
2	PHY (or) Phy Select	Phy status LEDs (green):  On: The corresponding Phy port is active.  Off: The corresponding Phy port is in backup mode or there is no connection to this port.
3	Activity	Port activity LEDs (green):  Blinking: Indicates network activity level for the corresponding port. A high level of network activity can cause LEDs to appear to be on continuously.
4		1000BASE-X SC port connectors (see “1000BASE-LX Multimode Applications” on page 42 for special requirements).

## ATM MDAs

---



**Warning:** This is a Class 1 Laser/LED product. It contains a laser light source that can injure your eyes. Never look into an optical fiber or connector port. Always assume that the fiber optic cable or connector is connected to a laser light source.

---



**Vorsicht:** Dieses Laser/LED-Produkt der Klasse 1 enthält eine Laserlichtquelle, die zu Augenverletzungen führen kann. Sehen Sie nie in einen Lichtwellenleiter oder Glasfaserstecker-Port. Gehen Sie immer davon aus, daß das Glasfaserkabel oder der Glasfaserstecker an eine Laserlichtquelle angeschlossen ist.

---



**Avertissement:** Ceci est un appareil Laser/DEL de Classe 1. Cet appareil contient une source lumineuse à rayons laser dangereuse pour les yeux. Ne regardez jamais directement une fibre optique ou un port de connexion. Agissez toujours comme si le câble de fibres optiques ou le connecteur était relié à une source lumineuse à rayons laser.

---



**Advertencia:** Éste es un producto láser/LED de Clase 1. Contiene una fuente de luz láser que puede causar lesiones en los ojos. Nunca mire dentro de un cable o de un puerto de conexión de fibra óptica. Asuma siempre que el cable o el conector de fibra óptica está conectado a una fuente de luz láser.

---



**Avvertenza:** Questo è un prodotto laser/LED di Classe 1 e contiene una sorgente luminosa a laser che può danneggiare gli occhi. Non guardare mai all'interno di una port a fibra ottica o di una porta connettore. Dare sempre per scontato che il cavo di fibra ottica o il connettore siano collegati ad una sorgente luminosa a laser.

---



**警告:**これはクラス1レーザー/LED製品です。目に障害を与える恐れのあるレーザー光源が含まれています。光ファイバおよびコネクタポートは、のぞき込まないようにしてください。光ファイバ・ケーブルまたはコネクタは、常にレーザー光源に接続されているものと想定してください。

---

This section describes the two ATM MDA models (multimode and single-mode fiber models).

The two models can support various product lines (see Table 2 on page 2 for a complete list of supported product lines). For installation instructions, see “Installing an MDA” on page 35.

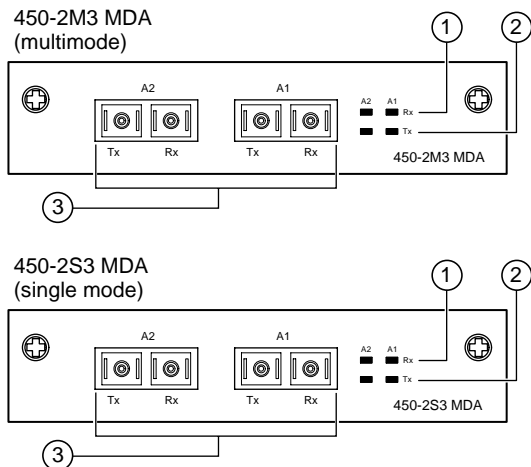
The two models are:

- 450-2M3 MDA -- uses two SC duplex fiber optic connectors for connections over 62.5/125 micron multimode fiber optic cable.
- 450-2S3 MDA -- uses two SC duplex fiber optic connectors for connections over 8.5/125 micron single-mode fiber optic cable.

Both ports can be active at the same time. In the event of a port failure, traffic destined for the failed port can be set to automatically route to the remaining operational port (see “ATM Configuration Menu” in your switch’s *User Guide*).

Both models use longwave 1300 nm fiber optic connectors to connect devices over single mode (10 km/6.2 mi) or multimode (2 km/1.2 mi) fiber optic cable.

Figure 9 shows the 450-2M3 MDA and 450-2S3 MDA.



BS45076A

**Figure 9. 450-2M3 and 450-2S3 MDA Front Panels**

Table 11 describes the 450-2M3 MDA and 450-2S3 MDA front-panel components.

**Table 11. 450-2M3 and 450-2S3 MDA Description**

<b>Item</b>	<b>Label</b>	<b>Description</b>
1	Rx	Receive Status:  On steady (green): Valid communications link; no activity.  On steady (yellow): No valid communications link.  Off: The MDA is broken (or not fully seated in the slot).  Blinking (green): Valid communications link; receive activity.
2	Tx	Transmit Status:  On steady (green): Valid communications link; no activity.  On steady (yellow): No valid communications link.  Off: The MDA is broken (or not fully seated in the slot).  Blinking (green): Valid communications link; Transmit activity.
3		SC port connectors.



## GBIC MDA

---



**Warning:** This is a Class 1 Laser/LED product. It contains a laser light source that can injure your eyes. Never look into an optical fiber or connector port. Always assume that the fiber optic cable or connector is connected to a laser light source.

---



**Vorsicht:** Dieses Laser/LED-Produkt der Klasse 1 enthält eine Laserlichtquelle, die zu Augenverletzungen führen kann. Sehen Sie nie in einen Lichtwellenleiter oder Glasfaserstecker-Port. Gehen Sie immer davon aus, daß das Glasfaserkabel oder der Glasfaserstecker an eine Laserlichtquelle angeschlossen ist.

---



**Avertissement:** Ceci est un appareil Laser/DEL de Classe 1. Cet appareil contient une source lumineuse à rayons laser dangereuse pour les yeux. Ne regardez jamais directement une fibre optique ou un port de connexion. Agissez toujours comme si le câble de fibres optiques ou le connecteur était relié à une source lumineuse à rayons laser.

---



**Advertencia:** Éste es un producto láser/LED de Clase 1. Contiene una fuente de luz láser que puede causar lesiones en los ojos. Nunca mire dentro de un cable o de un puerto de conexión de fibra óptica. Asuma siempre que el cable o el conector de fibra óptica está conectado a una fuente de luz láser.

---



**Avvertenza:** Questo è un prodotto laser/LED di Classe 1 e contiene una sorgente luminosa a laser che può danneggiare gli occhi. Non guardare mai all'interno di una port a fibra ottica o di una porta connettore. Dare sempre per scontato che il cavo di fibra ottica o il connettore siano collegati ad una sorgente luminosa a laser.

---



**警告:**これはクラス1レーザー/LED製品です。目に障害を与える恐れのあるレーザー光源が含まれています。光ファイバおよびコネクタポートは、のぞき込まないようにしてください。光ファイバ・ケーブルまたはコネクタは、常にレーザー光源に接続されているものと想定してください。

---

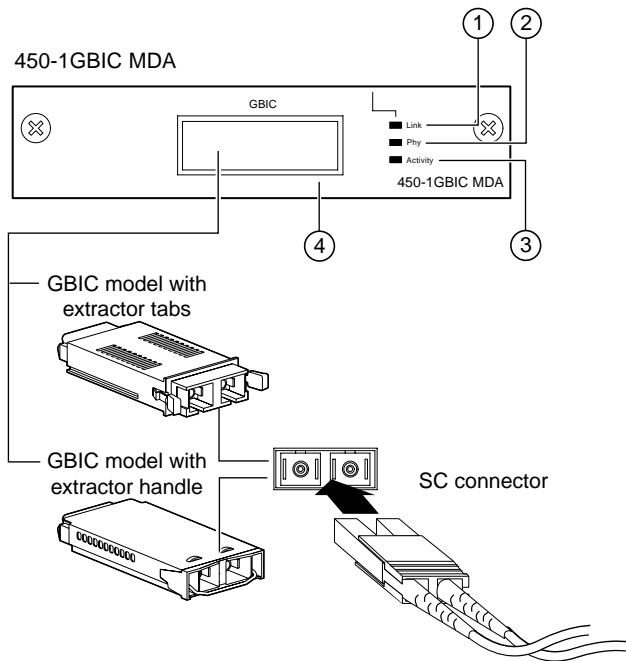
This section describes the 450-1GBIC MDA:

The 450-1GBIC MDA (see Figure 10) provides a single host port for supported Gigabit Interface Converters (GBICs). The GBICs are hot-swappable input/output enhancement components that are designed for use with Nortel Networks products to allow Gigabit Ethernet ports to link with fiber optic networks.

The 450-1GBIC MDA can support various product lines (see Table 2 on page 2 for a complete list of supported product lines).

For instructions on installing the 450-1GBIC MDA, see “Installing an MDA” on page 35.

For instructions on installing GBICs to your 450-1GBIC MDA's Host port, see “Installing GBICs” on page 38.



BS450102A

**Figure 10. 450-1GBIC MDA Front Panel**

Table 12 describes the 450-1GBIC MDA front-panel components.

**Table 12. 450-1GBIC MDA Description**

<b>Item</b>	<b>Label</b>	<b>Description</b>
1	Link	Communication link LEDs (green):  On: Valid communications link.  Off: The communications link connection is bad or there is no connection to this port.  Blinking: The corresponding port is management disabled.
2	Phy	Phy status LEDs (green):  On: The corresponding Phy port is active.  Off: The corresponding Phy port is in backup mode or there is no connection to this port.
3	Activity	Port activity LEDs (green):  Blinking: Indicates network activity level for the corresponding port. A high level of network activity can cause LEDs to appear to be on continuously.
4		GBIC Host port (see "Installing GBICs" on page 38).

## Installing an MDA

The Uplink/Expansion Module slot on supported switches can accommodate a single MDA.

The connection can be either an RJ-45 10/100BASE-TX MDA or a fiber (100BASE-FX or 1000BASE-SX/LX) MDA with an SC or MT-RJ connector.



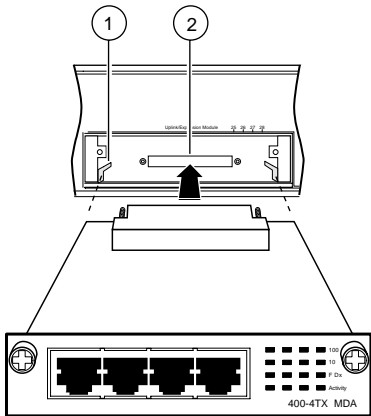
**Note:** The MDAs are *not* hot-swappable. Power down the switch or disconnect the Passport 8132 module from the switch backplane before installing or removing an MDA.

---

To install an MDA:

- 1. Unplug the AC power cord from the back of the switch (or unplug the Passport 8132 module from the switch backplane).**
- 2. Loosen the thumb screws and remove the filler panel (or previously installed MDA) from the Uplink/Expansion Module slot.**
- 3. Insert the MDA into the Uplink/Expansion Module card guides (Figure 11).**

Make sure the MDA slides in on the card guides. Failure to align the MDA to the card guides could damage the pins.



- 1 = Card guides
- 2 = Uplink module slot

BS45059C

### Figure 11. Installing an MDA

#### 4. Press the MDA *firmly* into the Uplink/Expansion Module slot.

Be sure that the MDA is fully seated into the mating connector.

#### 5. Secure the MDA by tightening the thumb screws on the MDA front panel.

## 6. Attach devices to the MDA ports.

Refer to your switch's *User Guide* for instructions on attaching devices to the MDA ports. After connecting the port cables, follow the instructions to connect power and verify the installation.



**Note:** The IEEE 802.3u specification requires that all ports operating at 100 Mb/s use only Category 5 unshielded twisted pair (UTP) cabling.

---

## Replacing an MDA

When replacing an installed MDA:

1. **Power down the switch (or unplug the Passport 8132 module from the switch backplane).**
2. **Remove the installed MDA.**

Loosen the two thumbscrews on the MDA front panel to remove the MDA.

3. **Install the replacement MDA.**

Be sure to *firmly* tighten the two thumbscrews on the MDA front panel.

4. **Power up the switch.**
5. **Attach devices to the MDA ports.**

Refer to your switch's *User Guide* for instructions on attaching devices to the MDA ports.

## Installing GBICs

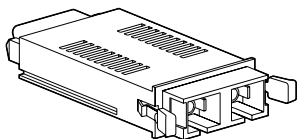
This section describes how to install the gigabit interface converters (GBICs) to your 450-1GBIC MDA's Host port. The following optional GBIC versions are available to support your 450-1GBIC MDA:

**Table 13. Available GBIC Models**

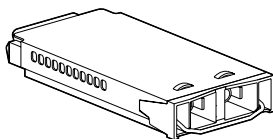
<b>Model number</b>	<b>Description</b>	<b>Part number</b>
1000BASE-SX	Uses shortwave 850 nm fiber optic connectors to connect devices over multimode (550 m/1805 ft) fiber optic cable.	AA1419001
1000BASE-LX	Uses longwave 1300 nm fiber optic connectors to connect devices over single mode (5 km/3.1 mi) or multimode (550 m/1805 ft) fiber optic cable.	AA1419002
1000BASE-XD	Uses single mode fiber to connect devices over distances up to 50 km (31 mi), depending on the quality of the cable.	AA1419003
1000BASE-ZX	Uses single mode fiber to connect devices over distances up to 70 km (43 mi), depending on the quality of the cable. The ports operate in full-duplex mode only.	AA1419004



The GBICs are available in different case styles (Figure 12). One type has two spring tabs at the front of the GBIC; the other type has an extractor handle on the front. GBICs are shipped with a protective rubber plug in the connectors. Leave the plug in place when no cables are connected to the GBIC.



GBIC model with  
extractor tabs



GBIC model with  
extractor handle

9702FA

**Figure 12. GBIC Case Styles**

## Installation

The 450-1GBIC MDA Host port is covered with a spring-loaded filler panel that rotates out of the way as you push the GBIC into place. You can install or replace a GBIC in an operating 450-1GBIC MDA without turning off power to the switch.



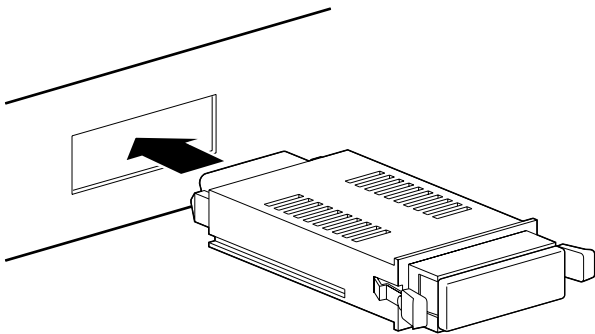
**Note:** The MDAs are *not* hot-swappable. Power down the switch before installing or removing an MDA.

---

To install a GBIC:

- 1. Remove the GBIC from its protective packaging.**
- 2. Insert the GBIC into the Host port on the MDA (Figure 13).**

GBICs are keyed to prevent improper insertion. If the GBIC resists pressure, do not force it. Remove it, turn it over, and reinsert it.



9825FA

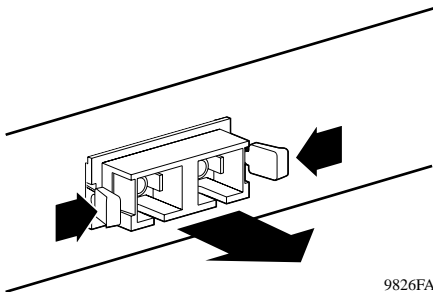
**Figure 13. Installing a GBIC**

- 3. Press on the front of the GBIC until it snaps into place.**
- 4. Remove the rubber plug to connect cables.**

## Removing an Installed GBIC

To remove an installed GBIC:

1. If the GBIC has spring tabs, press in on the tabs on each side of the GBIC as you pull the GBIC out of the MDA's Host port (Figure 14).



9826FA

**Figure 14. Removing a GBIC**

2. If the GBIC has an extractor handle, grasp the handle and pull firmly to remove the GBIC from the MDA's Host port.

## Cabling Specifications for GBICs

For more information about supported GBICs and for details about cabling specifications, refer to the *Gigabit Interface Converter (GBIC) Installation Guide* (part number 208723-A).

## 1000BASE-LX Multimode Applications

For 1000BASE-LX multimode applications, the longwave gigabit transceivers must be mode conditioned *externally* via a special offset SMF/MMF patch cord. The offset SMF/MMF patch cord allows the same transceiver to be used for both multimode and single-mode fiber. See your Nortel Networks sales representative for more information about the SMF/MMF patch cord.

The 1000BASE-LX transceiver is designed to mechanically accommodate the *single-mode ferrules* used on one end of the special offset SMF/MMF patch cord. *Multimode ferrules* must not be used because they can bind and cause damage to the transceiver. Do not connect multimode cables *directly* into the 1000BASE-LX MDA transceiver. Instead, connect a special offset SMF/MMF patch cord into the transceiver, and then connect the multimode cable into the SMF/MMF patch cord.

For more information about gigabit transmission over fiber optic cable and mode conditioning, refer to the following publication:

*Reference Note: Gigabit Ethernet Physical Layer Considerations* (Nortel Networks part number 201540-B)

The publication is available on the World Wide Web at [support.baynetworks.com/library/tpubs/](http://support.baynetworks.com/library/tpubs/)

At the Web site, click on Passport 8132 under the Routing Switches heading.

## Free Manuals Download Website

<http://myh66.com>

<http://usermanuals.us>

<http://www.somanuals.com>

<http://www.4manuals.cc>

<http://www.manual-lib.com>

<http://www.404manual.com>

<http://www.luxmanual.com>

<http://aubethermostatmanual.com>

Golf course search by state

<http://golfingnear.com>

Email search by domain

<http://emailbydomain.com>

Auto manuals search

<http://auto.somanuals.com>

TV manuals search

<http://tv.somanuals.com>