

Register your product and get support at
www.philips.com/welcome

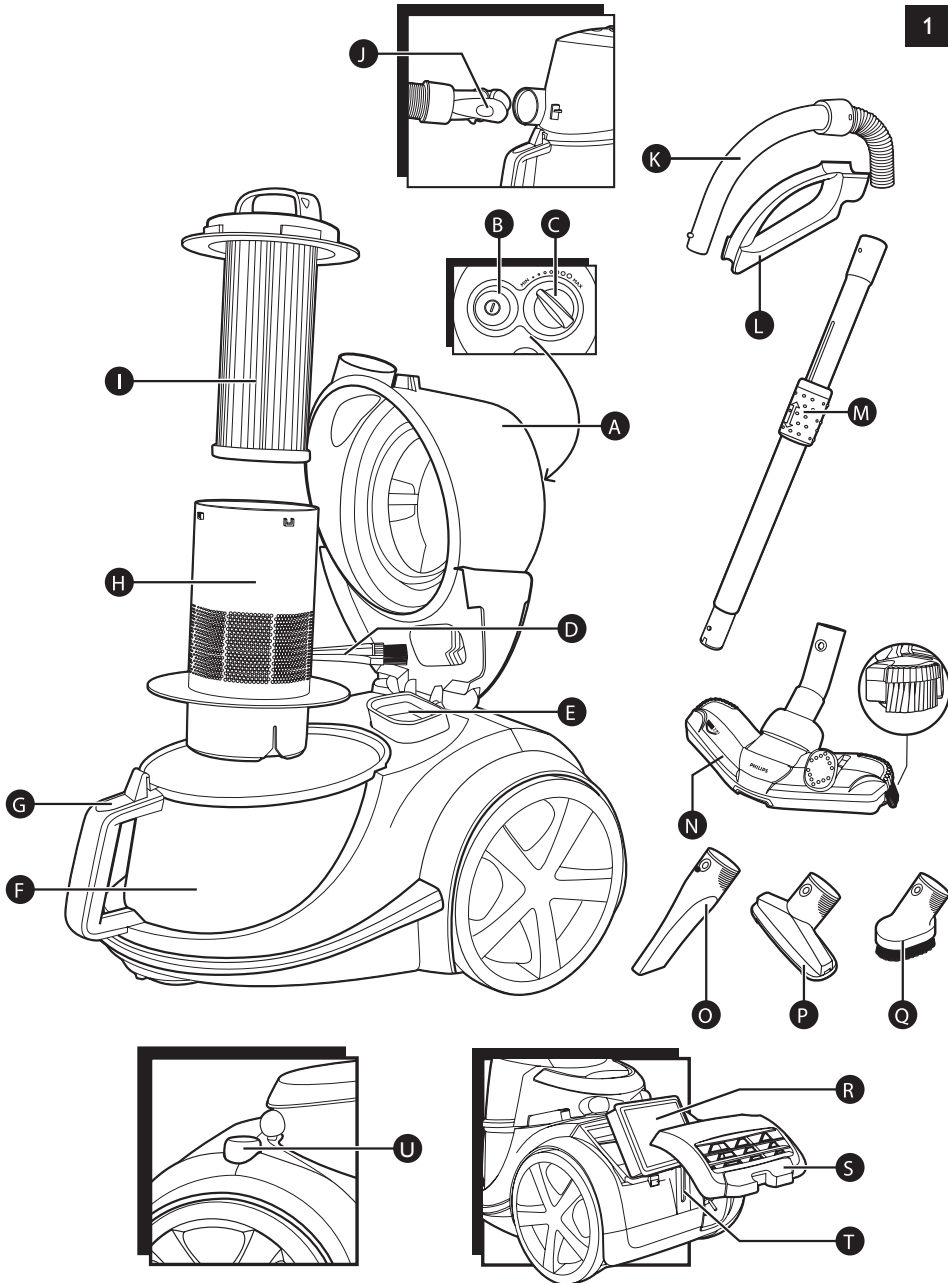
Marathon

FC9219 - FC9200



PHILIPS







ENGLISH	6
БЪЛГАРСКИ	12
ČEŠTINA	19
EESTI	25
HRVATSKI	31
MAGYAR	37
ҚАЗАҚША	43
LIETUVIŠKAI	49
LATVIEŠU	55
POLSKI	61
ROMÂNĂ	67
РУССКИЙ	73
SLOVENSKY	801
SLOVENŠČINA	86
SRPSKI	92
УКРАЇНСЬКА	98
العربية	108
فارسی	113

General description (Fig. 1)

- A** Cover
- B** On/off button
- C** Suction power knob
- D** Cleaning brush
- E** Motor protection filter
- F** Dust bucket
- G** Dust bucket release button
- H** Filter cylinder case
- I** Filter cylinder
- J** Hose connector
- K** Handgrip
- L** Accessory holder
- M** Telescopic tube
- N** Tri-Active nozzle
- O** Crevice tool
- P** Small nozzle (specific types only)
- Q** Small brush
- R** Super Clean Air Filter; Super Clean Air HEPA 12 filter or Ultra Clean Air HEPA 13 filter
- S** Filter grille
- T** Parking slot
- U** Cord rewind button

Important

Read this user manual carefully before you use the appliance and save it for future reference.

Danger

- Never suck up water or any other liquid. Never suck up flammable substances and do not suck up ashes until they are cold.

Warning

- Check if the voltage indicated on the appliance corresponds to the local mains voltage before you connect the appliance.
- Do not use the appliance if the plug, the mains cord or the appliance itself is damaged.
- If the mains cord is damaged, you must have it replaced by Philips, a service centre authorised by Philips or similarly qualified persons in order to avoid a hazard.
- This appliance is not intended for use by persons (including children) with reduced physical, sensory or mental capabilities, or lack of experience and knowledge, unless they have been given supervision or instruction concerning use of the appliance by a person responsible for their safety.
- Children should be supervised to ensure that they do not play with the appliance.
- Do not point the hose, the tube or any other accessory at the eyes or ears nor put it in your mouth when it is connected to the vacuum cleaner and the vacuum cleaner is switched on.

Caution

- Do not suck up large objects, as this may cause the air passage in the tube or hose to become obstructed.
- When you use the vacuum cleaner to vacuum ashes, fine sand, lime, cement dust and similar substances, the pores of the filter cylinder become clogged. If you notice a strong decrease in suction power, clean the filter cylinder.
- Sucking up large objects may cause the air passage in the tube or hose to become obstructed. If this happens, the blockage indicator turns red to indicate that there is an obstruction that needs to be removed.

- Never use the appliance without the motor protection filter. This damages the motor and shortens the life of the appliance.
- Only use the Philips filter cylinder supplied with the appliance.
- Noise level: $L_c = 76 \text{ dB(A)}$.

Electromagnetic fields (EMF)

This Philips appliance complies with all standards regarding electromagnetic fields (EMF). If handled properly and according to the instructions in this user manual, the appliance is safe to use based on scientific evidence available today.

Preparing for use

Hose

- 1** To connect the hose, push it firmly into the appliance ('click') (Fig. 2).
- 2** To disconnect the hose, press the release button and pull the hose out of the appliance (Fig. 3).

Telescopic tube

- 1** To connect the tube to the handgrip of the hose, press the spring-loaded lock button on the handgrip and insert the handgrip into the tube. Fit the spring-loaded lock button into the opening in the tube ('click') (Fig. 4).
- 2** To disconnect the tube from the handgrip, press the spring-loaded lock button and pull the handgrip out of the tube.

Use the same method to connect and disconnect the nozzles.

- 3** Adjust the tube to the length you find most comfortable during vacuum cleaning (Fig. 5).

Tri-Active nozzle

The Tri-Active nozzle is a multi-purpose nozzle for carpets and hard floors.

- The side brushes catch more dust and dirt at the sides of the nozzle and allow you to clean better along furniture and other obstacles (Fig. 6).
- The opening at the front of the nozzle allows you to suck up larger particles (Fig. 7).

- 1** To clean hard floors, push the rocker switch on top of the nozzle with your foot (Fig. 8).
 - ▶ The brush strip for cleaning hard floors comes out of the housing. At the same time, the wheel is lifted to prevent scratching and to increase manoeuvrability.
- 2** To clean carpets, push the rocker switch again (Fig. 9).
 - ▶ The brush strip disappears into the nozzle housing and the wheel is lowered automatically.

Crevice tool, small nozzle and small brush

- 1** Connect the crevice tool (1), the small nozzle (specific types only) (2) or the small brush (3) directly to the handgrip or to the tube (Fig. 10).

Accessory holder

- 1** Snap the accessory holder onto the handgrip (Fig. 11).
- 2** Snap two accessories into the accessory holder:
 - Crevice tool and small nozzle (Fig. 12).

Note: Make sure the suction opening of the small nozzle points away from the holder.

- Crevice tool and small brush (Fig. 13).

Note: Make sure the suction opening of the small brush points towards the holder.

8 ENGLISH

Using the appliance

- 1 Pull the cord out of the appliance and put the mains plug in the wall socket.
- 2 Press the on/off button on top of the appliance to switch on the appliance (Fig. 14).
- 3 During vacuum cleaning, you can adjust the suction power with the knob on top of the appliance (Fig. 15).
 - Use maximum suction power to vacuum very dirty carpets and hard floors.
 - Use minimum suction power to vacuum curtains, table carpets, etc.
- 4 If you want to pause for a moment, insert the ridge on the nozzle into the parking slot to park the tube in a convenient position (Fig. 16).

Storage

- 1 Switch off the appliance and remove the mains plug from the wall socket.
- 2 Press the cord rewind button to rewind the mains cord (Fig. 17).
- 3 Insert the ridge on the nozzle into the parking slot to attach the nozzle to the appliance. Store the appliance in horizontal position, with all wheels touching the floor (Fig. 16).
- 4 Always put the Tri-Active nozzle in the carpet setting when you store it. Also prevent the side brushes from becoming bent (Fig. 9).

Emptying the dust bucket

Always unplug the appliance before you empty the dust bucket.

The dust bucket is not dishwasher-proof.

- Empty the dust bucket as soon as the dust level has reached the round disc of the filter cylinder case (Fig. 18).
- 1 Switch off the appliance and remove the hose.
 - 2 Press the release button on top of the dust bucket handle to unlock the cover (1). Swing open the cover (2). (Fig. 19)
 - 3 Lift the dust bucket out of the appliance (Fig. 20).
 - 4 Hold the dust bucket over a dustbin and lift the filter cylinder case out of the bucket. Empty the bucket (Fig. 21).
 - 5 If you wish, you can clean the dust bucket with cold tap water and some washing-up liquid.
 - 6 Put the filter cylinder case back into the dust bucket and put the bucket back into the appliance.
 - 7 Close the cover firmly ('click').

Always put the filter cylinder case back into the bucket, otherwise the appliance cannot be switched on.

Cleaning and maintenance of filters

Always unplug the appliance before you clean or replace the filters.

The filter cylinder and the filter cylinder case are not dishwasher-proof.

Filter cylinder

Clean the filter cylinder every 2 months.

- 1 Switch off the appliance and remove the hose.
- 2 Press the release button on top of the dust bucket handle to unlock the cover (1). Swing open the cover (2) (Fig. 19).
- 3 Lift the dust bucket out of the appliance (Fig. 20).
- 4 Lift the filter cylinder case out of the bucket (Fig. 21).
- 5 Turn the handle on top of the filter cylinder case anticlockwise (1) and lift the filter cylinder out of the case (2). (Fig. 22)
- 6 Clean the filter cylinder and the case with the brush supplied. Brush from the top of the filter downwards along the ribs of the filter (Fig. 23).

Only use the brush supplied. Other brushes may damage the filter cylinder.

- 7 If there is dirt on the inside of the case, empty the case over a dustbin.
- 8 If you wish, you can clean the filter cylinder case with cold tap water and some washing-up liquid.
- 9 If you want to wash the filter cylinder, wash it thoroughly with only water. Do not use any soap, washing-up liquid or other detergent to clean the filter. Let the filter cylinder dry completely before you reinsert it into the case (Fig. 24).
- 10 Put the filter cylinder back into the case and turn the handle clockwise until the filter cylinder locks into position.

Make sure the filter cylinder is securely fixed in the case.

- 11 Put the case with the filter cylinder back into the dust bucket.

Motor protection filter

Clean the permanent motor protection filter every time you clean the filter cylinder case.

- 1 Take the motor protection filter out of the appliance. Clean the filter by tapping the dust out of it over a dustbin (Fig. 25).

If the motor protection filter is very dirty, you can also rinse it with cold tap water.

Do not use washing-up liquid or any other cleaning agent to clean the motor protection filter.

- 2 Press the clean filter firmly back into the filter compartment to ensure that it is properly placed.

Super Clean Air filter, Super Clean Air HEPA 12 filter or Ultra Clean Air HEPA 13 filter

This appliance is equipped with either the Super Clean Air filter, the Super Clean Air HEPA 12 filter or the Ultra Clean Air HEPA 13 filter. These filters are located in the back of the appliance.

Note: To guarantee optimal dust retention and performance of the vacuum cleaner, always replace the filter with an original Philips filter of the correct type (see chapter 'Ordering accessories').

Super Clean Air filter

The Super Clean Air filter filters a large part of the smaller particles from the exhaust air with its electrostatically charged fibres.

Replace the Super Clean Air filter every six months. This filter is not washable.

- 1 Remove the filter grille (Fig. 26).
- 2 Remove the old filter (Fig. 27).
- 3 Insert the new filter into the appliance.

10 ENGLISH

- 4 Reattach the top of the filter grille and push the bottom corners until they snap home ('click') (Fig. 28).

Super Clean Air HEPA 12 filter

The Super Clean Air HEPA 12 filter is able to remove 99.5% of all particles down to 0.0003mm in size from the outlet air. This not only includes normal house dust, but also harmful microscopic vermin such as dust mites and their excrements, which are well-known causes of respiratory allergies.

Replace the Super Clean Air HEPA 12 filter every six months. This filter is not washable.

To replace the Super Clean Air HEPA 12 filter, follow steps 1-4 of section 'Super Clean Air filter' above.

Washable Ultra Clean Air HEPA 13 filter

The Ultra Clean Air HEPA 13 filter is able to remove 99.95% of all particles down to 0.0003mm in size from the outlet air. This not only includes normal house dust, but also harmful microscopic vermin such as dust mites and their excrements, which are well-known causes of respiratory allergies.

Clean the washable Ultra Clean Air HEPA 13 filter every 6 months. You can clean the washable Ultra Clean Air HEPA 13 filter max. 4 times. Replace the filter after it has been cleaned 4 times.

- 1 Remove the filter grille (Fig. 29).
- 2 Take out the washable HEPA 13 filter (Fig. 30).
- 3 Rinse the pleated side of the HEPA 13 filter under a hot slow-running tap.
 - Hold the filter in such a way that the pleated side points upwards and the water flows parallel to the pleats. Hold the filter at an angle so that the water washes away the dirt inside the pleats (Fig. 31).
 - Turn the filter 180° and let the water flow along the pleats in opposite direction (Fig. 32).
 - Continue this process until the filter is clean.

Never clean the washable filter with a brush (Fig. 33).

Note: Cleaning does not restore the original colour of the filter, but does restore its filtration power.

- 4 Carefully shake the water from the surface of the filter. Let the filter dry at least 2 hours before you put it back into the vacuum cleaner.
- 5 Put the filter back into the appliance. Reattach the top of the filter grille and push the bottom corners until they snap home ('click') (Fig. 34).

Ordering accessories

If you have any difficulties obtaining filters or other accessories for this appliance, please contact the Philips Customer Care Centre in your country or consult the worldwide guarantee leaflet.

- Philips filter cylinders are available under service number 4322 005 17520.
- Super Clean Air filters are available under type number FC8030.
- Non-washable Super Clean Air HEPA 12 filters are available under type number FC8031.
- Washable Ultra Clean Air HEPA 13 filters are available under type number FC8038.

Environment

- Do not throw the appliance away with the normal household waste at the end of its life, but hand it in at an official collection point for recycling. By doing this, you help to preserve the environment (Fig. 35).

Guarantee & service

If you need information or if you have a problem, please visit the Philips website at www.philips.com or contact the Philips Customer Care Centre in your country (you find its phone number in the worldwide guarantee leaflet). If there is no Customer Care Centre in your country, go to your local Philips dealer or contact the Service Department of Philips Domestic Appliances and Personal Care BV.

Troubleshooting

This chapter summarises the most common problems you could encounter with the appliance. If you are unable to solve the problem with the information below, contact the Customer Care Centre in your country.

1 The suction power is insufficient.

- Check if the suction power knob is in maximum position.
- Check if the filter cylinder is filled with dirt.

If necessary, clean the filter cylinder:

- Check if the other filters need to be cleaned or replaced.
- Check if the blockage indicator has changed colour. If it has changed colour, the nozzle, tube or hose may be blocked up. (Fig. 36)

To remove the obstruction, disconnect the blocked-up item and connect it (as far as possible) the other way around. Switch on the vacuum cleaner to force the air through the blocked-up item in opposite direction.

2 The appliance cannot be switched on.

- Check if the filter cylinder case with the filter cylinder in it has been inserted into the dust bucket.

Общо описание (фиг. 1)

- A** Капак
- B** Бутон on/off (вкл./изкл.)
- C** Копче за смукателна мощност
- D** Четка за почистване
- E** Предпазен филтър на двигателя
- F** Кофа за прах
- G** Бутон за отваряне на отделението за прах
- H** Корпус на филтриращия цилиндър
- I** Филтриращ цилиндър
- J** Съединител за маркуча
- K** Ръкохватка
- L** Гнездо за принадлежности
- M** Телескопична тръба
- N** Многофункционален накрайник Tri-Active™
- O** Накрайник за ъгли
- P** Малък накрайник (само за определени модели)
- Q** Малка четка
- R** Филтър Super Clean Air; филтър Super Clean Air HEPA 12 или филтър Ultra Clean Air HEPA 13
- S** Филтърна решетка
- T** Гнездо за прибиране
- U** Бутон за навиване на кабела

Важно

Преди да използвате уреда, прочетете внимателно това ръководство за експлоатация и го запазете за справка в бъдеще.

Опасност

- Никога не всмуквайте вода или друга течност. Не всмуквайте запалими вещества и не всмуквайте пепел, преди да е изстинала.

Предупреждение

- Преди да свържете уреда към мрежата, проверете дали посоченото върху уреда напрежение отговаря на напрежението на местната електрическа мрежа.
- Не използвайте уреда, ако щепселът, мрежовият кабелът или самият уред са повредени.
- Ако захранващият кабел се повреди, той трябва винаги да се подменя от Philips, упълномощен сервиз на Philips или подобни квалифицирани лица, за да се избегне опасност.
- Този уред не е предназначен за ползване от хора (включително деца) с намалени физически усещания или умствени недъзи или без опит и познания, ако са оставени без наблюдение и не са инструктирани от страна на отговарящо за тяхната безопасност лице относно начина на използване на уреда.
- Наглеждайте децата, за да не си играят с уреда.
- Не насочвайте маркуча, тръбата или друг аксесоар към очите или ушите, и не ги поставяйте в устата си, когато са свързани към прахосмукачката, а прахосмукачката е включена.

Внимание

- Не всмуквайте големи предмети, тъй като това може да попречи на преминаването на въздуха през тръбата или маркуча.

- Когато използвате прахосмукачката за всмукване на пепел, фин пясък, вар, циментов прах и подобни вещества, порите на филтриращия цилиндър се запушват. Ако забележите значително снижаване на засмукващата мощност, почистете филтриращия цилиндър.
- Засмукването на големи предмети може да попречи на преминаването на въздуха през тръбата или маркуча. Ако това се случи, индикаторът за задръстване светва червено, за да покаже, че има препятствие, което трябва да се отстрани.
- Никога не използвайте уреда без предпазния филтър на двигателя. Това ще повреди електромотора и ще съкрати живота на уреда.
- Използвайте само филтриращия цилиндър на Philips, включен в комплекта на уреда.
- Ниво на шум: $L_c = 76 \text{ dB [A]}$

Електромагнитни излъчвания (EMF)

Този уред Philips е в съответствие с всички стандарти по отношение на електромагнитните излъчвания (EMF). Ако се употребява правилно и съобразно напътствията в Ръководството, уредът е безопасен за използване според наличните досега научни факти.

Подготовка за употреба

Маркуч

- 1** За да присъедините маркуча, натиснете го силно в уреда (с щракване) (фиг. 2).
- 2** За да откачите маркуча, натиснете бутона за освобождаване и издърпайте маркуча от уреда (фиг. 3).

Телескопична тръба

- 1** За да свържете тръбата с дръжката на маркуча, натиснете пружинния бутон на дръжката и вмъкнете дръжката в тръбата. Нагласете пружинния бутон така, че да влезе в отвора в тръбата (с щракване) (фиг. 4).

- 2** За да откачите тръбата от дръжката, натиснете пружинния бутон и издърпайте дръжката от тръбата.

Използвайте същия метод за поставяне и откачване на накрайниците.

- 3** Регулирайте тръбата до дължина, която ви е най-удобна, по време на чистене (фиг. 5).

Многофункционален накрайник Tri-Active™

Накрайникът с тройно действие Tri-Active е многоцелево приспособление за килими и твърди подови настилки.

- Страничните четки улавят повече прах и замърсявания отстрани на накрайника и ви дават възможност да почиствате по-добре около мебели и други препятствия (фиг. 6).
- Отворот отпред на накрайника ви дава възможност да засмуквате по-едри частици (фиг. 7).

- 1** За почистване на твърд под натиснете с крак кобиличния превключвател отгоре на накрайника (фиг. 8).

- ▶ Правата четка за почистване на твърди подови повърхности излиза от корпуса. Същевременно колелцето ще се повдигне, за да се предотврати драскане и да се повиши маневреността.

- 2** За почистване на килими натиснете отново кобиличния превключвател (фиг. 9).

- ▶ Правата четка се скрива в корпуса на накрайника и колелцето се смъква автоматично.

Тесен накрайник, малък накрайник и малка четка

- 1** Свържете тесния накрайник (1), малкия накрайник (само за определени модели) (2) или малката четка (3) директно към дръжката или тръбата (фиг. 10).

14 БЪЛГАРСКИ

Гнездо за принадлежности

1 Щракнете гнездото за принадлежности към дръжката (фиг. 11).

2 Щракнете двете приставки в гнездото за принадлежности:

- Тесен накрайник и малък накрайник (фиг. 12)

Забележка: Трябва да сте сигурни, че отворът за засмукване на малкия накрайник сочи навън от държача.

- Тесен накрайник и малка четка (фиг. 13).

Забележка: Трябва да сте сигурни, че отворът за засмукване на малката четка сочи към държача.

Използване на уреда

1 Изтеглете захранващия кабел от уреда и включете щепсела в контакта.

2 Натиснете бутона за включване/изключване, разположен отгоре върху уреда, за да го включите (фиг. 14).

3 По време на чистенето с прахосмукачката можете да регулирате силата на засмукване с регулатора отгоре на уреда (фиг. 15).

- Използвайте максимална смукателна мощност за почистване на много мръсни килими и твърди подови повърхности.
- Използвайте минимална смукателна мощност при чистене на завеси, покривки и т. н.

4 Ако желаете да направите кратка пауза, вмъкнете ръба на накрайника в гнездото за прибиране, за да “паркирате” тръбата в удобно положение (фиг. 16).

Съхранение

1 Изключете уреда и извадете щепсела от контакта.

2 Натиснете бутона за навиване на кабела, за да приберете захранващия кабел (фиг. 17).

3 Вмъкнете ръба на накрайника в гнездото за прибиране, за да прикрепите накрайника към уреда. Съхранявайте уреда в хоризонтално положение, с всички колела опрени на пода (фиг. 16).

4 Винаги поставяйте накрайника Tri-Active в положение за килим, когато го прибирате. Също така пазете страничните четки от прегъване (фиг. 9).

Изпразване на кофата за прах

Винаги изключвайте уреда от контакта преди изпразване на кофата за прах.

Кофата за прах не може да се мие в миялна машина.

- Изпразвайте кофата за прах незабавно, когато нивото на праха стигне до кръглия диск на корпуса на филтриращия цилиндър (фиг. 18).

1 Изключете уреда и откачете маркуча.

2 За да отключите капака, натиснете бутона за освобождаване върху дръжката на кофата за прах (1). Отворете капака (2). (фиг. 19)

3 Извадете с повдигане кофата за прах от уреда (фиг. 20).

4 Дръжте кофата за прах над кофа за смет и извадете филтриращия цилиндър. Изпразнете кофата (фиг. 21).

- 5 Ако желаете, можете да измиете кофата за прах със студена течаша вода и малко течен миеш препарат.
- 6 Поставете корпуса на филтриращия цилиндър обратно в кофата за прах и я поставете отново в уреда.
- 7 Затворете добре капака (с щракване).

Винаги слагайте корпуса на филтриращия цилиндър на мястото му в кофата за прах, иначе уредът няма да може да се включи.

Почистване и поддържане на филтри

Винаги изключвайте уреда от контакта, преди да пристъпите към почистване или подмяна на филтрите.

Филтриращият цилиндър и корпусът му не могат да се мият в съдомиялна машина.

Филтриращ цилиндър

Почиствайте филтриращия цилиндър на всеки 2 месеца.

- 1 Изключете уреда и откачете маркуча.
- 2 За да отключите капака, натиснете бутона за освобождаване върху дръжката на кофата за прах (1). Отворете капака (2) (фиг. 19).
- 3 Извадете с повдигане кофата за прах от уреда (фиг. 20).
- 4 Извадете корпуса на филтриращия цилиндър от кофата за прах с издърпване нагоре (фиг. 21).
- 5 Завъртете дръжката отгоре на корпуса на филтриращия цилиндър обратно на часовниковата стрелка (1) и извадете филтриращия цилиндър от корпуса (2). (фиг. 22)
- 6 Почистете филтриращия цилиндър и корпуса с приложената четка. Четкайте в посока от горния край на филтъра надолу по ребрата му (фиг. 23).

Използвайте само приложената към комплекта четка. Други четки могат да повредят филтриращия цилиндър.

- 7 Ако отвятре в корпуса има замърсявания, изпразнете го над кофа за смет.
- 8 Ако желаете, можете да измиете кофата за прах със студена течаша вода и малко течен миеш препарат.
- 9 Ако желаете да измиете филтриращия цилиндър, измийте го обилно само с вода. За почистването му не използвайте никакъв сапун, миеша течност или перилен препарат. Оставете цилиндъра да изсъхне напълно, преди да го поставите отново в корпуса (фиг. 24).
- 10 Поставете филтриращия цилиндър отново в корпуса и завъртете дръжката по посока на часовниковата стрелка, докато филтриращият цилиндър щракне на мястото си. Проверете дали филтриращият цилиндър е закрепен здраво в корпуса.
- 11 Върнете корпуса с филтриращия цилиндър на мястото му в кофата за прах.

Предпазен филтър на двигателя

Почиствайте постоянния предпазен филтър на двигателя всеки път, когато почиствате корпуса на филтриращия цилиндър.

16 БЪЛГАРСКИ

- 1 Извадете от уреда предпазния филтър на двигателя. Почистете филтъра, като изтръскате праха от него над кофа за смет (фиг. 25).

Ако предпазният филтър на двигателя е много замърсен, можете също да го изплакнете със студена течеща вода.

Не използвайте течни препарати за миене или перилни препарати за почистване на предпазния филтър на двигателя!

- 2 Натиснете здраво чистия филтър обратно на мястото му в отделението за филтъра, така че да гарантирате правилното поставяне.

Филтър Super Clean Air, филтър Super Clean Air HEPA 12 или филтър Ultra Clean Air HEPA 13

Този уред е оборудван с филтър Super Clean Air, филтър Super Clean Air HEPA 12 или филтър Ultra Clean Air HEPA 13. Тези филтри са разположени в задната част на уреда.

Забележка: За да се гарантира най-добро събиране на прах и оптимална работа на прахосмукачката, винаги подменяйте филтъра със съответния модел оригинален филтър Philips (вж. глава "Поръчване на аксесоари и филтри").

Филтър Super Clean Air

Филтърът Super Clean Air филтрира голяма част от по-дребните частици в изходящия въздух с влакна, заредени със статично електричество.

Сменяйте филтъра Super Clean Air на всеки шест месеца. Този филтър не може да се мие.

- 1 Махнете решетката на филтъра (фиг. 26).

- 2 Свалете стария филтър (фиг. 27).

- 3 Сложете новия филтър в уреда.

- 4 Поставете отново горната част на решетката на филтъра и натиснете долните ъгли така, че да застанат на мястото си с щракване (фиг. 28).

Филтър Super Clean Air HEPA12

Филтърът Super Clean Air HEPA 12 може да отстранява от изходящия въздух 99,5% от всички частици с размер не по-малък от 0,0003 мм. Това включва не само обикновения домашен прах, но и вредните микроскопични паразити, като обитаващите домашен прах акари и техните екскременти, които са добре известни причини за дихателни алергии.

Сменяйте филтъра Super Clean Air HEPA12 на всеки шест месеца. Този филтър не може да се мие.

За да подмените филтъра Super Clean Air HEPA 12, изпълнете стъпки 1-4 от раздела "Филтър Super Clean Air" по-горе.

Миещ се филтър Ultra Clean Air HEPA 13

Филтърът Ultra Clean Air HEPA 13 може да отстранява от изходящия въздух 99,95% от всички частици с размер не по-малък от 0,0003 мм. Това включва не само обикновения домашен прах, но и вредните микроскопични паразити, като обитаващите домашен прах акари и техните екскременти, които са добре известни причини за дихателни алергии.

Почиствайте миещия се филтър Ultra Clean Air HEPA 13 на всеки 6 месеца. Можете да почиствате миещия се филтър Ultra Clean Air HEPA 13 най-много 4 пъти. Подменете филтъра, след като е почистван 4 пъти.

- 1 Махнете решетката на филтъра (фиг. 29).

- 2 Извадете миещия се филтър HEPA 13 (фиг. 30).

- 3 Изплакнете нагънатата страна на филтъра HEPA 13 със слабо течеща гореща вода.

- Дръжте филтъра така, че нагънатата страна да е обърната нагоре и водата да се стича успоредно на гънките. Дръжте филтъра под ъгъл, така че водата да отмива замърсяванията във вътрешността на гънките (фиг. 31).
- Обърнете филтъра на 180° и оставете водата да тече по протежение на гънките в обратна посока (фиг. 32).
- Продължете с този процес, докато филтърът се изчисти.

Не почиствайте миещия се филтър с четка (фиг. 33).

Забележка: Почистването не възстановява първоначалния цвят на филтъра, но възстановява способността му за филтриране.

- 4** Внимателно изтръскайте водата от повърхността на филтъра. Оставете филтъра да съхне поне 2 часа, преди да го поставите обратно в прахосмукачката.
- 5** Поставете филтъра на мястото му в уреда. Монтирайте горната част на решетката на филтъра и натиснете долните ъгли, докато застанат на мястото си (с щракване) (фиг. 34).

Поръчване на принадлежности

Ако срещате някакви затруднения при снабдяването с филтри или други принадлежности за този уред, се обърнете към Центъра за обслужване на клиенти на Philips във вашата страна или проверете в международната гаранционна карта.

- Филтриращите цилиндри на Philips се предлагат под сервизен номер 4322 005 17520.
- Филтрите Super Clean Air се предлагат под номер FC8030.
- Филтри Super Clean Air HEPA 12, неподлежащи на миене, се предлагат под номер FC8031.
- Миещи се филтри Ultra Clean Air HEPA 13 се предлагат под номер FC8038.

Опазване на околната среда

- След края на експлоатационния срок на уреда не го изхвърляйте заедно с нормалните битови отпадъци, а го предайте в официален пункт за събиране, където да бъде рециклиран. По този начин ще помогнете за опазването на околната среда (фиг. 35).

Гаранция и сервизно обслужване

Ако се нуждаете от информация или имате проблем, посетете Интернет сайта на Philips на адрес www.philips.com или се обърнете към Центъра за обслужване на клиенти на Philips във вашата страна (телефонния му номер можете да намерите в международната гаранционна карта). Ако във вашата страна няма Център за обслужване на клиенти, обърнете се към местния търговец на уреди на Philips или се свържете с Отдела за сервизно обслужване на битови уреди на Philips [Service Department of Philips Domestic Appliances and Personal Care BV].

Отстраняване на неизправности

В тази глава са обобщени най-често срещаните проблеми, на които можете да се натъкнете при ползване на този уред. Ако не можете да разрешите проблема с помощта на долните указания, свържете се с Центъра за обслужване на клиенти във вашата страна.

- 1** Смукателната мощност е недостатъчна.
 - Проверете дали регулаторът на смукателната мощност е в максимално положение.
 - Проверете дали филтриращият цилиндър не е запълнен със смет.
 При необходимост почистете филтриращия цилиндър.
 - Проверете дали други филтри нямат нужда от почистване или замяна.
 - Проверете дали индикаторът за задръстване е променил цвета си. Ако цветът му е друг, вероятно найкрайникът, тръбата или маркуча са задръстени. (фиг. 36)

18 БЪЛГАРСКИ

За да отстраните запушването, откачете запушения елемент и го свържете (доколкото е възможно) в обратно положение. Включете прахосмукачката, за да нагнетите въздух през блокирания елемент в обратна посока.

2 Уредът не може да се включи.

- Проверете дали корпусът на филтрирания цилиндър с цилиндъра в него е поставен в кофата за прах.

Všeobecný popis (Obr. 1)

- A** Kryt
- B** Vypínač
- C** Knoflík pro ovládání sacího výkonu
- D** Čisticí kartáč
- E** Ochranný filtr motoru
- F** Prachová nádoba
- G** Tlačítko uvolnění prachové nádoby
- H** Pouzdro filtračního válce
- I** Filtrační válec
- J** Přípojka hadice
- K** Držadlo
- L** Držák příslušenství
- M** Teleskopická trubice
- N** Hubice Tri-Active
- O** Nástavec pro štěrbinu
- P** Malá hubice (pouze některé typy)
- Q** Malý kartáč
- R** Filtr Super Clean Air Filter; Super Clean Air HEPA 12 nebo Ultra Clean Air HEPA 13
- S** Mřížka filtru
- T** Parkovací zdířka
- U** Tlačítko navíjení kabelu

Důležité

Před použitím přístroje si důkladně přečtěte tuto uživatelskou příručku a uschovejte ji pro budoucí použití.

Nebezpečí

- Nikdy nevysávejte vodu nebo jinou tekutinu. Také nikdy nevysávejte hořlavé látky nebo popel, pokud není zcela vychladlý.

Výstraha

- Dříve než přístroj připojíte do sítě zkontrolujte, zda napětí uvedené na přístroji souhlasí s napětím v místní elektrické síti.
- Pokud byste zjistili závadu na zástrčce, na síťové šňůře nebo na přístroji, dále jej nepoužívejte.
- Pokud by byla poškozena síťová šňůra, musí její výměnu provést společnost Philips, autorizovaný servis společnosti Philips nebo obdobně kvalifikovaní pracovníci, aby se předešlo možnému nebezpečí.
- Osoby (včetně dětí) s omezenými fyzickými a duševními schopnostmi nebo nedostatkem zkušeností a znalostí by neměly s přístrojem manipulovat, pokud nebyly o používání přístroje předem instruovány nebo nejsou pod dohledem osoby zodpovědné za jejich bezpečnost.
- Dohlédněte na to, aby si s přístrojem nehrály děti.
- Nesměřujte hadicí, trubkou ani jiným příslušenstvím na oči nebo uši, ani do úst, pokud jsou tyto součásti připojeny k vysavači a vysavač je zapnutý.

Upozornění

- Nevysávejte velké předměty, protože tak můžete způsobit ucpání trubice nebo hadice.
- Používáte-li vysavač k vysávání popelu, jemného písku, vápna, cementového prachu nebo podobných látek, póry filtračního válce se zanesou. Pokud si všimnete výrazného poklesu sacího výkonu, filtrační válec vyčistěte.
- Vysávání velkých předmětů může způsobit ucpání trubky nebo hadice. Pokud k tomu dojde, rozsvítí se kontrolka ucpání červeně jako upozornění, že překážka musí být odstraněna.

20 ČEŠTINA

- Přístroj nikdy nepoužívejte bez ochranného filtru motoru. Došlo by k poškození motoru a zkrácení životnosti přístroje.
- Používejte pouze filtrační válec Philips dodávaný s přístrojem.
- Hladina hluku: Lc = 76 dB [A]

Elektromagnetická pole (EMP)

Tento přístroj společnosti Philips odpovídá všem normám týkajícím se elektromagnetických polí (EMP). Pokud je správně používán v souladu s pokyny uvedenými v této uživatelské příručce, je jeho použití podle dosud dostupných vědeckých poznatků bezpečné.

Příprava k použití

Hadice

- 1 Chcete-li připojit hadici, pevně ji do přístroje zasuňte (ozve se „klapnutí“) (Obr. 2).
- 2 Hadici odpojte tak, že stisknete uvolňovací tlačítko a vytáhnete hadici z přístroje (Obr. 3).

Teleskopická trubice

- 1 Trubicu spojte s rukojetí hadice tak, že stisknete zajišťovací tlačítko s pružinou na rukojeti a rukojeť zasunete do trubice. Zajišťovací tlačítko s pružinou musí zapadnout do otvoru v trubici (ozve se „klapnutí“) (Obr. 4).
- 2 Trubicu oddělíte od rukojeti tak, že stisknete zajišťovací tlačítko s pružinou a vysunete rukojeť z trubice.

Stejným způsobem připojte nebo odpojte i sací hubice.

- 3 Nastavte délku trubice tak, aby vysávání bylo co nejpohodlnější (Obr. 5).

Hubice Tri-Active

Hubice Tri-Active je víceúčelová hubice pro vysávání koberců nebo hladkých podlah.

- Postranní kartáče zachytí více prachu a špíny po stranách hubice a umožňují lepší vysávání podél nábytku i jiných překážek (Obr. 6).
- Otvor na přední straně hubice umožňuje lepší vysávání větších nečistot (Obr. 7).

- 1 Chcete-li vysávat tvrdé podlahy, stiskněte nohou překlápěcí přepínač na horní straně kombinované hubice (Obr. 8).
 - Vysune se kartáčový nástavec pro čištění tvrdých podlah. Současně se zvedne i kolečko, které zabrání poškrábání a zvýší pohyblivost.
- 2 Chcete-li čistit koberec, znovu stiskněte překlápěcí přepínač (Obr. 9).
 - Kartáčový nástavec se zasune zpět do hubice a kolečko se automaticky sníží.

Štěrbínová hubice, malá hubice a malý kartáč

- 1 Štěrbínovou hubici (1), malou hubici (2) nebo malý kartáč (pouze některé typy) (3) je možné připojit přímo k rukojeti nebo k trubici (Obr. 10).

Držák příslušenství

- 1 Držák příslušenství upevněte na rukojeť (Obr. 11).
- 2 Na držák příslušenství připevněte dva doplňky:
 - Štěrbínová hubice a malá hubice (Obr. 12).

Poznámka: Zkontrolujte, zda sací strana malé hubice míří směrem od držáku.

- Štěrbínová hubice a malý kartáč (Obr. 13).

Poznámka: Zkontrolujte, zda sací strana malého kartáče míří směrem od držáku.

Použití přístroje

- 1 Z vysavače vytáhněte síťový kabel a zástrčku zasuňte do síťové zásuvky.
- 2 Stisknutím tlačítka pro zapnutí/vypnutí přístroj zapněte (Obr. 14).
- 3 Během vysávání můžete nastavovat sací výkon knoflíkem umístěným na horní části vysavače (Obr. 15).
 - Při vysávání silně znečištěných koberců nebo tvrdých podlah nastavte sání na maximální hodnotu.
 - Minimální sání nastavte při vysávání záclon, ubrusů apod.
- 4 Jestliže potřebujete činnost na chvíli přerušit, vložte trubici do parkovací zdířky, kde vám nebude překážet (Obr. 16).

Skladování

- 1 Přístroj vypněte a síťovou zástrčku odpojte od zásuvky ve zdi.
- 2 Stiskněte tlačítko navíjení kabelu a navíňte napájecí kabel (Obr. 17).
- 3 Připevněte hubici k přístroji zasunutím výstupku na hubici do parkovací drážky na vysavači. Přístroj uchovávejte ve vodorovné poloze tak, aby se všechna kolečka dotýkala podlahy (Obr. 16).
- 4 Hubici Tri-Active ukládejte vždy v nastavení pro koberce, aby se postranní štětiny neohýbaly (Obr. 9).

Vyprázdnění prachové nádoby

Před vyprázdněním prachové nádoby přístroj vždy odpojte ze sítě.

Prachová nádoba není odolná proti mytí v myčce na nádobí.

- Prachovou nádobu vyčistěte ihned, jakmile úroveň prachu v přístroji dosáhne ke kruhovému disku na pouzdře filtračního válce (Obr. 18).
- 1 Vypněte přístroj a sejměte hadici.
 - 2 Stisknutím uvolňovacího tlačítka na horní straně rukojeti prachové nádoby odjistěte kryt (1). Otočením kryt (2) otevřete. (Obr. 19)
 - 3 Vyjměte prachovou nádobu z přístroje (Obr. 20).
 - 4 Přidržte prachovou nádobu nad odpadkovým košem a vyjměte z ní pouzdro filtračního válce. Nádobu vyprázdněte (Obr. 21).
 - 5 Pokud chcete, můžete vymýt nádobu studenou tekoucí vodou s přídavkem mycího prostředku.
 - 6 Pouzdro filtračního válce vložte zpět do prachové nádoby a nádobu pak vložte zpět do přístroje.
 - 7 Kryt pevně uzavřete (musí „zaklapnout“).

Pouzdro filtračního válce vložte zpět do nádoby, protože jinak by nebylo možné přístroj zapnout.

Čištění a údržba filtrů

Před čištěním nebo výměnou filtru vždy odpojte spotřebič z elektrické sítě

Filtrační válec a pouzdro filtračního válce nelze mýt v myčce nádobí.

22 ČEŠTINA

Filtrační válec

Filtrační válec čistěte každé dva měsíce.

- 1** Vypněte přístroj a sejměte hadici.
- 2** Stisknutím uvolňovacího tlačítka na horní straně rukojeti prachové nádoby odjistěte kryt (1). Otočením kryt (2) otevřete (Obr. 19).
- 3** Vyjměte prachovou nádobu z přístroje (Obr. 20).
- 4** Vytáhněte pouzdro filtračního válce z nádoby (Obr. 21).
- 5** Otočte držadlo na vrchní straně pouzdra filtračního válce proti směru pohybu hodinových ručiček (1) a vytáhněte filtrační válec z pouzdra (2). (Obr. 22)
- 6** Vyčistěte filtrační válec a pouzdro dodaným kartáčem. Kartáčujte od shora směrem dolů podél žeber filtru (Obr. 23).

K čištění používejte výhradně dodaný kartáč! Jiné kartáče by mohly filtrační válec poškodit.

- 7** Pokud jsou nečistoty i na vnitřní straně pouzdra, vysypte je z pouzdra nad odpadkovým košem.
- 8** Pokud chcete, můžete vymýt pouzdro filtračního válce studenou tekoucí vodou s přídatkem mycího prostředku.
- 9** Chcete-li umýt filtrační válec, pouze jej propláchněte vodou. K čištění filtračního válce nepoužívejte žádný mycí ani čisticí prostředek. Než filtrační válec vložíte zpět do pouzdra, nechte jej důkladně vyschnout (Obr. 24).

- 10** Vložte filtrační válec zpět do pouzdra a otočte rukojetí ve směru hodinových ručiček, až filtrační válec zapadne na místo.

Přesvědčte se, že je filtrační válec v pouzdře bezpečně zajištěn.

- 11** Pouzdro s filtračním válcem vložte zpět do prachové nádoby.

Ochranný filtr motoru

Trvalý ochranný filtr motoru čistěte vždy, když čistíte pouzdro filtračního válce.

- 1** Vyjměte ochranný filtr motoru z přístroje. Vyčistěte jej oklepáním o odpadkový koš (Obr. 25). Pokud by byl ochranný filtr motoru velmi špinavý, můžete ho opláchnout pod studenou tekoucí vodou.

K čištění ochranného filtru motoru nepoužívejte žádný mycí ani čisticí prostředek.

- 2** Vyčištěný filtr zatlačte zpět do přihrádky pro filtr, aby byl řádně zajištěn.

Filtr Super Clean Air Filter, Super Clean Air HEPA 12 nebo Ultra Clean Air HEPA 13

Tento přístroj je vybaven filtrem Super Clean Air, Super Clean Air HEPA 12 nebo filtrem Ultra Clean Air HEPA 13. Tyto filtry jsou umístěny v zadní části přístroje.

Poznámka: Pro zajištění optimálního zadržování prachu a výkonu vysavače vždy nahradte filtr originálním filtrem společnosti Philips správného typu (viz kapitola „Objednávání příslušenství“).

Filtr Super Clean Air

Filtr Super Clean Air má za úkol zachytit z vyfukovaného vzduchu většinu menších částic svými elektrostaticky nabitými vlákny.

Filtr Super Clean Air vyměňte vždy po 6 měsících. Tento filtr není omyvatelný.

- 1** Vyjměte mřížku filtru (Obr. 26).

- 2** Vyměňte starý filtr (Obr. 27).
- 3** Do vysavače vložte nový filtr.
- 4** Znovu připevněte horní stranu mřížky filtru a stiskněte dolní okraje, až zapadnou na místo (ozve se „klapnutí“) (Obr. 28).

Filtr Super Clean Air HEPA 12

Filtr Super Clean Air HEPA 12 může z výstupu vzduchu odstranit 99,5 % všech částic až do velikosti 0,0003 mm. Je tedy schopen zachycovat nejen běžný domovní prach, ale i mikroskopické škůdce, například roztoče a jejich exkrementy, jež jsou známými příčinami mnoha respiračních alergií.

Filtr Super Clean Air HEPA 12 vyměňujte vždy po 6 měsících. Tento filtr není omyvatelný.

Výměnu filtru Super Clean Air HEPA 12 provádějte podle kroků 1 až 4 v části „Filtr Super Clean Air“ výše.

Omyvatelný filtr HEPA Ultra Clean Air 13

Filtr Ultra Clean Air HEPA 13 může z výstupu vzduchu odstranit 99,95 % všech částic až do velikosti 0,0003 mm. Je tedy schopen zachycovat nejen běžný domovní prach, ale i mikroskopické škůdce, například roztoče a jejich exkrementy, jež jsou známými příčinami mnoha respiračních alergií.

Omyvatelný filtr HEPA Ultra Clean Air 13 omyjte každých 6 měsíců. Tento filtr lze omýt maximálně čtyřikrát, poté ho vyměňte.

- 1** Vyměňte mřížku filtru (Obr. 29).
- 2** Vyměňte omyvatelný filtr HEPA Ultra Clean Air 13 (Obr. 30).
- 3** Opláchněte skládanou část filtru HEPA 13 slabým proudem teplé vody.
 - Držte filtr tak, aby skládaná část filtru směřovala nahoru a voda tekla souběžně se záhyby. Držte filtr pod takovým úhlem, aby voda vymyla prach uvnitř záhybů (Obr. 31).
 - Otočte filtr o 180° a nechejte vodu protékat záhyby v opačném směru (Obr. 32).
 - Pokračujte v otáčení a vymývání, dokud filtr není čistý.

Nikdy nečistěte omyvatelný filtr kartáčem (Obr. 33).

Poznámka: Čištění filtru neobnoví jeho původní barvu, ale filtrační schopnosti ano.

- 4** Opatrně vytřeste vodu z povrchu filtru. Nechejte filtr schnout alespoň 2 hodiny a teprve poté ho vložte zpět do vysavače.
- 5** Vložte filtr zpět do přístroje. Znovu připevněte horní stranu mřížky filtru a stiskněte dolní okraje, až zapadnou na místo (ozve se „klapnutí“) (Obr. 34).

Dodatečné příslušenství

Pokud byste měli jakékoli problémy s obstaráváním prachových sáčků, filtrů nebo jiného příslušenství, obraťte se na středisko péče o zákazníky společnosti Philips ve své zemi nebo vyhledejte informace na letáčku s celosvětovou zárukou.

- Filtrační válce Philips jsou k dostání pod servisním číslem 4322 005 17520.
- Filtry Super Clean Air lze zakoupit pod typovým označením FC8030.
- Neomyvatelné filtry Super Clean Air HEPA 12 lze zakoupit pod typovým označením FC8031.
- Omyvatelné filtry Ultra Clean Air HEPA 13 lze zakoupit pod typovým označením FC8038.

Ochrana životního prostředí

- Až přístroj doslouží, nevyhazujte jej do běžného komunálního odpadu, ale odevzdejte jej do sběrný určené pro recyklaci. Pomůžete tím chránit životní prostředí (Obr. 35).

Záruka a servis

Pokud byste měli jakýkoliv problém nebo byste potřebovali nějakou informaci, navštivte webovou stránku společnosti Philips www.philips.com, nebo kontaktujte Středisko péče o zákazníky společnosti Philips ve své zemi (telefonní číslo střediska najdete v letáčku s celosvětovou zárukou). Pokud se ve vaší zemi Středisko péče o zákazníky nenachází, můžete kontaktovat místního dodavatele výrobků Philips nebo oddělení Service Department of Philips Domestic Appliances and Personal Care BV.

Řešení problémů

V této kapitole jsou shrnuty nejběžnější problémy, se kterými se můžete u přístroje setkat. Pokud by se vám nepodařil problém vyřešit podle následujících informací, kontaktujte Středisko péče o zákazníky ve své zemi.

1 Sací výkon je nedostatečný:

- Zkontrolujte, zda je regulátor sání nastaven na maximum.
- Zkontrolujte, zda filtrační válec není ucpaný nečistotami.

V případě potřeby vyčistěte filtrační válec.

- Zkontrolujte, zda není třeba vyčistit nebo vyměnit i ostatní filtry.
- Zkontrolujte, zda kontrolka ucpání nezměnila barvu. Pokud změnila barvu, hubice, trubice nebo hadice mohou být ucpaný. (Obr. 36)

abyste závadu odstranili, odpojte ucpaný díl a připojte ho (pokud je to možné) k vysavači obráceným směrem. Zapněte vysavač a pokuste se ucpanou část vysát.

2 Přístroj není možné zapnout.

- Zkontrolujte, zda byl do prachové nádoby správně vložen filtrační válec spolu s pouzdem filtračního válce.

Üldine kirjeldus (Jn 1)

- A** Kate
- B** On/off (Sisse/välja) nupp
- C** Imemisvõimsuse nupp
- D** Puhastusharjake
- E** Mootori kaitsefilter
- F** Tolmukamber
- G** Tolmukambri vabastusnupp
- H** Silindrilise filtri kest
- I** Silindriline filter
- J** Vooliku liitmik
- K** Käepide
- L** Tarvikuhoidja
- M** Teleskooptoru
- N** TriActive otsik
- O** Piluotsik
- P** Väike otsik (ainult teatud mudelitel)
- Q** Väike hari
- R** Super Clean Air filter; Super Clean Air HEPA 12 filter või Ultra Clean Air HEPA 13 filter
- S** Filtri raam
- T** Parkimispiilu
- U** Juhtme tagasikerimise nupp

Tähelepanu

Enne seadme kasutamist lugege hoolikalt kasutusjuhendit ja hoidke see edaspidiseks alles.

Ohtlik

- Ärge kunagi imege vett ega mõnda muud vedelikku. Mitte kunagi ärge imege tuleohtlikke aineid ega tulist tuhka.

Hoiatus

- Enne seadme ühendamist kontrollige, kas seadmele märgitud toitepinge vastab kohaliku vooluvõrgu pingele.
- Ärge kasutage seadet, kui selle pistik, toitejuhe või seade ise on kahjustatud.
- Kui toitejuhe on kahjustatud, peab selle ohtlike olukordade vältimiseks uue vastu vahetama Philips, Philipsi volitatud hoolduskeskus või samaväärset kvalifikatsiooni omav isik.
- Seda seadet ei tohiks füüsiliste puuetega ja vaimuhäiretega isikud (kaasa arvatud lapsed) nii kogemuste kui ka teadmiste puudumise tõttu seni kasutada, kuni nende ohutuse eest vastutav isik neid ei valva või pole seadme kasutamise kohta juhiseid andnud.
- Jälgige, et lapsed ei saaks seadmega mängida.
- Ärge kunagi tolmuimejaga ühendatud voolikut, toru või mingit muud tarvikut vastu silma, kõrva ega suhu pange, kui tolmuimeja on sisse lülitatud.

Ettevaatust

- Ärge imege sisse suuri esemeid, kuna need võivad ummistada toru või vooliku õhu läbivoolu tee.
- Tolmuimeja kasutamisel tuha, peenikese liiva, lubja, tsemenditolmu ja sarnaste ainete koristamiseks ummistuvad silindrilise filtri poorid. Kui märkate tugevat imemisvõimsuse langust, siis puhastage silindrilist filtrit.
- Suurte esemete sisseimemine võib põhjustada toru või vooliku õhu läbivoolu tee ummistuse. Sel juhul süttib punane ummistumise märgutuli, näidates, et takistus tuleks eemaldada.
- Ärge kunagi kasutage tolmuimejat ilma mootori kaitsefiltrita. Nii võite mootori kahjustada ja lühendada seadme kasutusiga.
- Kasutage ainult koos seadmega tarnitud Philipsi filtersilindrit.

- Mõõra tase: $L_c = 76 \text{ dB [A]}$

Elektromagnetilised väljad (EMF)

See Philipsi seade vastab kõikidele elektromagnetilisi välju (EMF) käsitlevatele standarditele. Kui seadet käsitletakse õigesti ja käesolevale kasutusjuhendile vastavalt, on seadet tänapäeval kasutatavate teaduslike teooriate järgi ohutu kasutada.

Ettevalmistus kasutamiseks

Voolik

- 1 Vooliku ühendamiseks lükake see tugevalt seadmesse (kostab klõpsatus) (Jn 2).
- 2 Vooliku lahtivõtmiseks vajutage vabastusnuppu ja tõmmake voolik seadmest välja (Jn 3).

Teleskooporu

- 1 Toru ühendamiseks vooliku käepidemega vajutage käepidemel olev vedruga lukustusnupp alla ja lükake käepide torusse. Sobitage vedruga lukustusnupp toru avasse (kuulete klõpsatust) (Jn 4).
- 2 Toru eemaldamiseks käepidemest vajutage lukustusnuppu ja tõmmake käepide torust välja. Kasutage sama meetodit otsikute ühendamisel ja lahtivõtmisel.
- 3 Reguleerige toru pikkus selliseks, et tolmuime mine oleks mugav (Jn 5).

TriActive otsik

Tri-Active otsik on mitmeotstarbeline otsik vaipade ja kõvade põrandapindade puhastamiseks.

- Külgmised harjad haaravad rohkem tolmu ja mustust otsiku äärtes ning võimaldavad tõhusamalt puhastada mööbliesemete ja teiste takistuste lähedal (Jn 6).
- Otsiku ees olevad avad võimaldavad imeda suuremaid prahitükikesi (Jn 7).

- 1 Kõvakattega põrandate puhastamiseks vajutage jalaga otsikul olevat klahvlülitit (Jn 8).
 - Kõvade põrandate puhastamiseks mõeldud harjasriba väljub korpusest. Samaaegselt tõstetakse kriimustamise vältimiseks ja manööverdamisvõime suurendamiseks ratas üles.
- 2 Vaipade puhastamiseks vajutage uuesti klahvlülitit (Jn 9).
 - Harjasriba kaob uuesti otsiku korpusesse ja ratas lastakse automaatselt alla.

Piluotsik, väike otsik ja väikese harjaga otsik

- 1 Ühendage piluotsik (1), väike otsik (ainult teatud mudelitel) (2) või väike hari (3) otse käepideme või toruga (Jn 10).

Tarvikuhoidja

- 1 Klõpsake tarvikute hoidik käepideme külge (Jn 11).
- 2 Lükake kaks tarvikut tarviku hoidikusse:
 - piluotsik ja väike otsik (Jn 12).

Märkus: Veenduge, et väikese otsiku imemisava oleks hoidikust eemale suunatud.

- Piluotsik ja väike hari (Jn 13)

Märkus: Veenduge, et väikese harja imemisava oleks hoidikust eemale suunatud.

Seadme kasutamine

- 1 Tõmmake toitejuhe seadmest välja ning lükake pistik pistikupessa.
- 2 Seadme sisselülitamiseks vajutage seadme peal olevat sisse-välja nuppu (Jn 14).

- 3** Tolmuimemise ajal saab imemisvõimsust reguleerida seadme peal oleva nupuga (Jn 15).
 - Kasutage maksimaalset imemisvõimsust väga määrduvad vaipade ja kõvade põrandapindade puhastamiseks.
 - Kasutage minimaalset imemisvõimsust kardinade, lauakatete jms puhastamiseks.
- 4** Kui soovite töösse hetkelise pausi teha, siis toru parkimiseks sisestage otsiku soon parkimispilusse mugavasse asendisse (Jn 16).

Hoidmine

- 1** Lülitage seade välja ja eemaldage toitepistik seinakontaktist.
- 2** Vajutage juhtme tagasikerimise nupule toitejuhtme tagasikerimiseks (Jn 17).
- 3** Otsiku kinnitamiseks seadme külge sisestage otsiku äär parkimispilusse. Hoiustage seade horisontaalasendisse nii, et kõik rattad puudutaksid põrandat (Jn 16).
- 4** Hoiustamiseks lükake Tri-Active otsik alati vaibapuhastamise asendisse. Ärge jätkke harja külgmisi harjaseid painutatud olekusse (Jn 9).

Tolmukambri tühjendamine

Enne tolmuksambri tühjendamist võtke alati seadme pistik seinakontaktist välja.

Tolmukamber pole nõudepesumasinas pestav.

- Tühjendage tolmuksamber kohe, kui tolmutase ulatub silindrilise filtri kesta ümara kettani (Jn 18).

- 1** Lülitage seade välja ja võtke voolik küljest ära.
- 2** Avage katte lukustus, vajutades tolmuksambri käepidemel olevale vabastusnupule (1). Avage edasi-tagasi surudes kaas (2). (Jn 19)
- 3** Tõstke tolmuksamber tolmuimejast välja (Jn 20).
- 4** Hoidke tolmuksambri prügikasti kohal ja tõstke filtri silindri hülss kambri välja. Tühjendage kambri (Jn 21).
- 5** Kui soovite, peske tolmuksambrit külma kraanivee ja pesemisvahendiga.
- 6** Pange filtersilindri hülss tagasi kambri ja seejärel kambri seadmesse.
- 7** Sulgege kaas kindlalt (klõpsatus!).

Pange filtersilindri hülss alati tagasi tolmuksambri, vastasel korral ei lülitu seade sisse.

Filtrite puhastamine ja hooldamine

Võtke seade alati enne filtrite puhastamist või asendamist elektrivõrgust välja.

Filtersilindrit ja selle hülssi ei tohi pesta nõudepesumasinas.

Silindriline filter

Puhastage filtersilindrit iga kahe kuu tagant.

- 1** Lülitage seade välja ja võtke voolik küljest ära.
- 2** Avage katte lukustus, vajutades tolmuksambri käepidemel olevale vabastusnupule (1). Avage edasi-tagasi tõugetega kaas (2) (Jn 19).
- 3** Tõstke tolmuksamber tolmuimejast välja (Jn 20).
- 4** Tõstke filtersilindri hülss kambri välja (Jn 21).

5 Keerake filtersilindri hülssi peal olevat käepidet vastupäeva (1) ja tõstke filtersilinder hülssist välja (2). (Jn 22)

6 Tehke filtersilinder ja hülss kaasasoleva harjaga puhtaks. Harjake piki filtriribisid suunaga ülevalt allapoole (Jn 23).

Puhastage filtrit ainult komplektisoleva harjaga. Teised harjad võivad silindrilist filtrit rikkuda.

7 Kui hülss on seestpoolt must, tühjendage see prügikasti kohal.

8 Kui soovite, peske tolmukambrit voolava veega ja pesemisvahendiga.

9 Kui soovite silindrilist filtrit pesta, peske seda põhjalikult ainult veega. Ärge kasutage filtri puhastamiseks seepi, pesemisvahendit ega muud puhastusvahendit. Laske sellel enne kesta tagasipanemist täielikult kuivada (Jn 24).

10 Pange filtri silinder hülssi tagasi ja pöörake käepidet päripäeva filtri silindri lukustumiseni. Veenduge, et filtersilinder on kindlalt hülssi fikseeritud.

11 Pange hülss koos filtersilindriga tagasi tolmukambrisse.

Mootori kaitsefilter

Puhastage mootorit kaitsvat püsifiltrit iga kord, kui te puhastate silindrilise filtri kesta.

1 Võtke mootori kaitsefilter seadmest välja. Puhastage filter prügikasti kohal tolmu välja koputades (Jn 25).

Kui mootori kaitsefilter on väga must, võite seda loputada külma kraaniveega.

Ärge kasutage mootori kaitsefiltri puhastamiseks pesemisvahendit ega muid puhastusaineid!

2 Vajutage puhas filter korralikult filtripesasse tagasi ning veenduge, et see oleks täpselt oma kohal.

Super Clean Air filter, Super Clean Air HEPA 12 filter või Ultra Clean Air HEPA 13 filter

See seade on varustatud kas Super Clean Air filtri, Super Clean Air HEPA 12 filtri või Ultra Clean Air HEPA 13 filtriga. Need filtrid asuvad seadme tagaosas.

Märkus: Tolmu optimaalse kinnipüüdmise ja tolmuimeja jõudluse tagamiseks asendage HEPA filter alati õiget tüüpi originaalse Philipsi filtriga (vt ptk „Tarkvute tellimine“).

Super Clean Air filter

Super Clean Air filter filtreerib väljuvast õhust suurema osa väiksematest osakestest, kasutades elektrostaatiliselt laetud kiude.

Vahetage Super Clean Air filtrit iga kuue kuu tagant. See filter pole pestav.

1 Eemaldage filtri võre (Jn 26).

2 Eemaldage vana filter (Jn 27).

3 Pange uus filter seadmesse.

4 Pange filtri võre ülemine osa avasse ja lükake alumist osa kuni see klõpsates oma kohale läheb (Jn 28).

Super Clean Air HEPA 12 filter

Super Clean Air HEPA 12 filter on võimeline eemaldama 99,5% väljuvas õhus olevatest alla 0,0003 mm suurusega osakestest. Neis on mitte ainult tavaline kodus leiduv tolm, vaid ka kahjulikud mikrooskoopilised parasiidid, nagu tolmulestad ja nende väljaheidet, mis on hingamisteede allergia tuntud põhjustajad.

Vahetage Super Clean Air HEPA 12 filtrit iga kuue kuu tagant. See filter pole pestav.

Super Clean Air HEPA 12 filtri asendamiseks järgige ülaltoodud löigu „Super Clean Air filter“ samme 1–4.

Pestav Ultra Clean Air HEPA 13 filter

Ultra Clean Air HEPA 13 filter on võimeline eemaldama 99,95% väljuvas õhus olevatest alla 0,0003 mm suurusega osakestest. Neis on mitte ainult tavaline kodus leiduv tolm, vaid ka kahjulikud mikrokoopilised parasiidid, nagu tolmulestad ja nende väljaheited, mis on hingamisteede allergia tuntud põhjustajad.

Puhastage pestavat Ultra Clean Air HEPA 13 filtrit iga 6 kuu tagant. Ultra Clean Air HEPA 13 filtrit tohite maksimaalselt 4 korda puhastada. Vahetage filter pärast 4-ndat puhastamist ära.

1 Eemaldage filtri võre (Jn 29).

2 Võtke pestav HEPA 13 filter välja (Jn 30).

3 Loputage HEPA 13 filtri kurrulist poolt kuuma aeglaseltvoolava kraaniveega.

- Hoidke filtrit sellisel viisil, et kurruline pool oleks ülespool ja vesi voolaks paralleelselt kurdudega. Hoidke filtrit nurga all, nii et vesi peseks kurdudes oleva mustuse ära (Jn 31).
- Keerake filtrit 180° ja laske vett mööda kurdusid teises suunas voolata (Jn 32).
- Jätka seda toimingut, kuni filter on puhas.

Ärge pestavat filtrit kunagi harjaga puhastage (Jn 33).

Märkus: Puhastamine ei taasta filtri originaalset värvust, kuid taastab selle filtreerimisjõudluse.

4 Raputage vesi hoolikalt filtri pinnalt maha. Laske filter kuivab 2 tundi enne kui selle tolmuimejasse tagasi panete.

5 Pange filter seadmesse tagasi. Lükake filtri võre ülemine osa sisse ja seejärel lükake alumisi nurki, kuni need klõpsates oma kohale lähevad (Jn 34).

Tarvikute tellimine

Juhul, kui Teil tekib probleeme filtrite või teiste tarvikute hankimisel, pöörduge oma riigi Philipsi hoolduskeskusesse või tutvuge infoga garantiilehel.

- Philipsi filtersilindrite hooldusnumber on 4322 005 17520.
- Super Clean Air filtrite tüübinumber on FC8030.
- Mittepestavaid Super Clean Air HEPA 12 filtreid saate tellida tüübinumbriga FC8031.
- Pestavaid Super Clean Air HEPA 13 filtreid saate tellida tüübinumbriga FC8038.

Keskkonnakaitse

- Tööea lõpus ei tohi seadet tavalise majapidamisprügi hulka visata. Seade tuleb taastötluseks viia ametlikku jäätmekäitluspunkti. Seda tehes aitate keskkonda säästa (Jn 35).

Garantii ja hooldus

Kui vajate infot või on teil mõni probleem, külastage Philipsi veebisaiti aadressil www.philips.com või võtke ühendust oma riigi Philipsi klienditeeninduskeskusega (telefoninumbri leiate garantiilehelt). Kui teie riigis ei ole klienditeeninduskeskust, pöörduge kohaliku Philipsi toodete edasimüüja poole või võtke ühendust Philips Domestic Appliances and Personal Care BV teenindusosakonnaga.

Veaotsing

Selles peatükis on tehtud kokkuvõtte kõige tavalisematest probleemidest, mis seadmega juhtuda võivad. Kui te ei suuda allpool oleva informatsiooni abil ise probleemi lahendada, siis võtke ühendust oma riigi klienditeeninduskeskusega.

1 Imemisvõimsus ei ole küllaldane.

30 EESTI

- Kontrollige, kas imemisvõimsuse nupp on maksimaalse võimsuse asendis.
- Kontrollige, kas filtersilinder on tolmu täis.

Vajaduse korral peske silindrilist filtrit.

- Kontrollige, ega teised filtrid ei vaja puhastamist või vahetamist.
- Kontrollige, kas ummistuse märgutuli on värvi muutnud. Kui värvus on muutunud, siis on otsik, toru või voolik võib-olla ummistunud. (In 36)

Ummistuse kõrvaldamiseks võtke ummistunud osa lahti ja lükake teist otsa pidi tolmuimeja külge (nii kaugele kui võimalik). Lülitage tolmuimeja sisse, et ummistunud osa puhutaks vastupidises suunas voolava jõulise õhuvooga läbi.

2 Seadet ei ole võimalik sisse lülitada.

- Kontrollige, kas filtersilindri hülss koos filtersilindriga on pandud tolmu kambrisse.

Opći opis (Sl. 1)

- A** Poklopac
- B** Gumb za uključivanje/isključivanje
- C** Gumb za reguliranje usisne snage
- D** Četka za čišćenje
- E** Filter za zaštitu motora
- F** Spremnik za prašinu
- G** Gumb za otpuštanje spremnika za prašinu
- H** Kućište cilindričnog filtera
- I** Cilindrični filter
- J** Spojnica crijeva
- K** Ručka
- L** Držač dodatnog pribora
- M** Teleskopska cijev
- N** Usisna četka Tri-Active
- O** Nastavak za uske površine
- P** Mala usisna četka (samo neki modeli)
- Q** Mala okrugla četka
- R** Filter Super Clean Air, Super Clean Air HEPA 12 ili Ultra Clean Air HEPA 13
- S** Rešetka filtera
- T** Zaustavni utor
- U** Gumb za namatanje kabela

Važno

Prije korištenja aparata pažljivo pročitajte ove upute za korištenje i spremite ih za buduće potrebe.

Opasnost

- Nikada ne usisavajte vodu ili neku drugu vrstu tekućine. Nikad ne usisavajte zapaljive tvari i pepeo dok se ne ohlade.

Upozorenje

- Prije priključivanja aparata provjerite odgovara li mrežni napon naveden na aparatu naponu lokalne mreže.
- Aparat nemojte koristiti ako su utikač, kabel za napajanje ili sam aparat oštećeni.
- Ako se kabel za napajanje ošteti, mora ga zamijeniti tvrtka Philips, ovlašteni Philips servisni centar ili neka druga kvalificirana osoba kako bi se izbjegle potencijalno opasne situacije.
- Ovaj aparat nije namijenjen osobama (uključujući djecu) sa smanjenim fizičkim ili mentalnim sposobnostima niti osobama koje nemaju dovoljno iskustva i znanja, osim ako im je osoba odgovorna za njihovu sigurnost dala dopuštenje ili ih uputila u korištenje aparata.
- Malu djecu potrebno je nadzirati kako se ne bi igrala s aparatom.
- Nemojte usmjeravati crijevo, cijev ili bilo koji drugi pribor u oči ili uši, niti ga stavljati u usta kada su priključeni na usisavač, a on je uključen.

Oprez

- Nemojte usisavati velike predmete jer to može ometati protok zraka u cijevi ili crijevu.
- Kada koristite usisavač za usisavanje pepela, sitnog pijeska, vapna, cementne prašine i sličnih tvari, pore cilindričnog filtera mogu se začepiti. Ako primijetite smanjenu snagu usisavanja, očistite cilindrični filter.
- Usisavanje velikih predmeta može prouzročiti smetnje u prolazu zraka kroz cijev ili crijevo. Ako se to dogodi, indikator začepljenja počinje svijetliti crveno, što znači da postoji smetnja koju je potrebno ukloniti.
- Nemojte nikada koristiti usisavač bez filtera za zaštitu motora. To šteti motoru i skraćuje vijek trajanja aparata.

32 HRVATSKI

- Koristite samo Philips cilindrični filter koji se isporučuje s aparatom.
- Razina buke: Lc = 76 dB (A).

Elektromagnetska polja (EMF)

Ovaj proizvod tvrtke Philips sukladan je svim standardima koji se tiču elektromagnetskih polja (EMF). Ako aparatom rukujete ispravno i u skladu s ovim uputama, prema dostupnim znanstvenim dokazima on će biti siguran za korištenje.

Priprema za korištenje

Crijevo

- 1 Crijevo čvrsto gurnite u aparat ("klik") kako biste ga spojili (Sl. 2).
- 2 Kako biste odvojili crijevo, pritisnite gumb za otpuštanje i izvucite crijevo iz aparata (Sl. 3).

Teleskopska cijev

- 1 Kako biste cijev spojili na rukohvat crijeva, pritisnite gumb s oprugom na rukohvatu i umetnite rukohvat u cijev. Gumb s oprugom umetnite u otvor na cijevi ("klik") (Sl. 4).
- 2 Kako biste odvojili cijev od rukohvata, pritisnite gumb s oprugom i izvucite rukohvat iz cijevi. Na isti način spojite i odvojite usisne četke.
- 3 Podesite cijev na duljinu koja će vam biti najugodnija tijekom usisavanja (Sl. 5).

Usisna četka Tri-Active

Usisna četka Tri-Active je višenamjenska četka za usisavanje tepiha i tvrdih podova.

- Bočne četkice hvataju više prašine i prljavštine s bočne strane usisne četke, što vam omogućava bolje usisavanje oko namještaja i drugih predmeta (Sl. 6).
- Otvor na prednjoj strani usisne četke omogućuje usisavanje većih komada (Sl. 7).

- 1 Za čišćenje tvrdih podova stopalom gurnite gumb na usisnoj četki (Sl. 8).
 - ▶ Iz kućišta usisne četke izaći će četkice za čišćenje tvrdih podova. Istovremeno se podiže kotačić koji sprječava grebanje poda i omogućuje lakše upravljanje.
- 2 Za čišćenje tepiha ponovo gurnite gumb na usisnoj četki (Sl. 9).
 - ▶ Četkice će se uvući u kućište usisne četke, a kotačić će se automatski spustiti.

Uski nastavak za proreze, mala usisna četka i mala okrugla usisna četka

- 1 Uski nastavak za proreze (1), malu usisnu četku (samo neki modeli) (2) ili malu okruglu četku (3) možete spojiti izravno na rukohvat ili cijev (Sl. 10).

Držač dodatnog pribora

- 1 Držač dodatnog pribora čvrsto gurnite na rukohvat (Sl. 11).
- 2 Dva nastavka čvrsto gurnite u držač dodatnog pribora:
 - Uski nastavak za proreze i mala usisna četka (Sl. 12).

Napomena: Pazite da otvor male usisne četke ne bude usmjeren prema držaču.

- Uski nastavak za proreze i mala okrugla usisna četka (Sl. 13).

Napomena: Pazite da otvor male okrugle usisne četke bude usmjeren prema držaču.

Korištenje aparata

- 1 Izvucite kabel iz aparata i priključite utikač u zidnu utičnicu.
- 2 Za uključivanje aparata pritisnite gumb za uključivanje/isključivanje na njegovom gornjem dijelu (Sl. 14).

- 3** Tijekom usisavanja možete prilagoditi snagu usisavanja pomoću gumba na vrhu usisavača (Sl. 15).
 - Najveću usisnu snagu koristite za čišćenje jako prljavih tepiha i tvrdih podova.
 - Najmanju usisnu snagu koristite za čišćenje zavjesa, stolnjaka itd.
- 4** Ako želite napraviti pauzu, umetnite vodilicu na cijevi u zaustavni utor i tako ostavite cijev u odgovarajućem položaju (Sl. 16).

Spremanje

- 1** Isključite usisavač i izvadite utikač iz utičnice.
- 2** Pritisnite gumb za namotavanje kabela (Sl. 17).
- 3** Umetnite vodilicu na usisnoj četki u zaustavni utor kako biste je spojili s aparatom. Spremite aparat u vodoravnom položaju, tako da svi kotači budu na podu (Sl. 16).
- 4** Usisnu četku Tri-Active uvijek spremajte tako da bočne četkice budu uvučene. Također pazite da se bočne četke ne savijaju (Sl. 9).

Pražnjenje spremnika za prašinu

Prije pražnjenja spremnika za prašinu obavezno isključite aparat iz napajanja.

Spremnik za prašinu ne može se prati u stroju za pranje posuđa.

- Ispraznite spremnik za prašinu kada razina prašine dosegne okrugli disk kućišta cilindričnog filtera (Sl. 18).

- 1** Isključite aparat i izvadite crijevo.
- 2** Pritisnite gumb za otpuštanje na vrhu ručke spremnika za prašinu kako biste otpustili poklopac (1). Otvorite poklopac (2). (Sl. 19)
- 3** Izvadite spremnik za prašinu iz aparata (Sl. 20).
- 4** Držite spremnik za prašinu iznad kante za otpatke i podignite kućište cilindričnog filtera iz spremnika. Ispraznite spremnik za prašinu (Sl. 21).
- 5** Ako želite, možete oprati spremnik za prašinu hladnom vodom ili nekim sredstvom za čišćenje.
- 6** Vratite kućište cilindričnog filtera u spremnik za prašinu, a spremnik u aparat.
- 7** Čvrsto zatvorite poklopac ("klik").

Kućište cilindričnog filtera uvijek vratite u spremnik jer u protivnom se usisavač ne može uključiti.

Čišćenje i održavanje filtera

Aparat obavezno isključite iz napajanja prije čišćenja ili zamjene filtera.

Cilindrični filter i njegovo kućište ne mogu se prati u stroju za pranje posuđa.

Cilindrični filter

Cilindrični filter čistite svaka 2 mjeseca.

- 1** Isključite aparat i izvadite crijevo.
- 2** Pritisnite gumb za otpuštanje na vrhu ručke spremnika za prašinu kako biste otpustili poklopac (1). Otvorite poklopac (2) (Sl. 19).
- 3** Izvadite spremnik za prašinu iz aparata (Sl. 20).

- 4 Podignite kućište cilindričnog filtera iz spremnika (Sl. 21).
- 5 Okrenite ručku na vrhu kućišta cilindričnog filtera u smjeru suprotnom od kazaljke na satu (1) i izvadite cilindrični filter (2). (Sl. 22)
- 6 Očistite cilindrični filter i kućište četkicom koja se nalazi u kompletu. Četkajte od vrha filtera prema dolje duž rebara (Sl. 23).

Koristite isključivo isporučenu četkicu. Druge četke mogu oštetiti cilindrični filter.

- 7 Ako unutar kućišta ima prljavštine, ispraznite kućište u kantu za otpatke.
- 8 Ako želite, možete oprati kućište cilindričnog filtera hladnom vodom i nekim sredstvom za čišćenje.
- 9 Ako želite oprati cilindrični filter, temeljito ga operite samo vodom. Za čišćenje filtera nemojte koristiti sapune, sredstva za pranje posuđa niti deterdžente. Cilindrični filter ostavite da se potpuno osuši prije vraćanja u kućište (Sl. 24).
- 10 Vratite cilindrični filter u kućište i okrećite ručku u smjeru kazaljki na satu dok filter ne sjedne na svoje mjesto.
Pazite da cilindrični filter bude sigurno pričvršćen u kućištu.
- 11 Vratite kućište s cilindričnim filterom u spremnik za prašinu.

Filter za zaštitu motora

Trajni filter za zaštitu motora očistite svaki put kada čistite kućište cilindričnog filtera.

- 1 Izvadite filter za zaštitu motora iz usisavača i očistite ga tako da lupkanjem iznad kante za otpatke izbacite nečistoće iz njega (Sl. 25).

Ako je filter za zaštitu motora jako prljav, možete ga isprati pod mlazom hladne vode iz slavine.

Nemojte koristiti sredstva za pranje posuđa niti bilo koja druga sredstva za čišćenje filtera za zaštitu motora.

- 2 Čisti filter čvrsto vratite u spremnik za filter kako biste bili sigurni da je ispravno postavljen.

Filter Super Clean Air, Super Clean Air HEPA 12 ili Ultra Clean Air HEPA 13

Ovaj aparat ima filter Super Clean Air, Super Clean Air HEPA 12 ili Ultra Clean Air HEPA 13. Ovi filteri nalaze se u stražnjem dijelu aparata.

Napomena: Kako bi se zajamčilo optimalno zadržavanje prašine i optimalan rad usisavača, filter obavezno zamijenite odgovarajućim modelom originalnog filtera tvrtke Philips (pogledajte poglavlje "Naručivanje dodatnog pribora").

Filter Super Clean Air

Filter Super Clean Air filtrira veliki dio manjih čestica iz zraka koji se ispušta pomoću elektrostatički nabijenih vlakana.

Filter Super Clean Air mijenjajte svakih šest mjeseci. Ovaj filter ne može se prati.

- 1 Uklonite rešetku filtera (Sl. 26).
- 2 Izvadite stari filter (Sl. 27).
- 3 Stavite novi filter u usisavač.
- 4 Ponovno stavite gornji dio rešetke i pritisnite donje kutove dok ne sjednu na svoje mjesto ("klik") (Sl. 28).

Filter Super Clean Air HEPA 12

Filter Super Clean Air HEPA 12 može ukloniti 99,5% svih čestica do veličine 0,0003 mm iz ispusnog zraka. To ne uključuje samo normalnu kućnu prašinu, nego i mikroskopsku poput grinja i njihovog izmeta koji su poznati uzročnici alergija dišnih organa.

Filter Super Clean Air HEPA 12 mijenjajte svakih šest mjeseci. Ovaj filter ne može se prati. Za zamjenu filtera Super Clean Air HEPA 12 slijedite korake 1-4 u odjeljku "Filter Super Clean Air".

Filter Ultra Clean Air HEPA 13 koji se može prati

Filter Ultra Clean Air HEPA 13 može ukloniti 99,95% svih čestica do veličine 0,0003 mm iz ispusnog zraka. To ne uključuje samo normalnu kućnu prašinu, nego i mikroskopsku poput grinja i njihovog izmeta koji su poznati uzročnici alergija dišnih organa.

Filter Ultra Clean Air HEPA 13 koji se može prati čistite svakih 6 mjeseci. Filter Ultra Clean Air HEPA 13 možete prati najviše 4 puta. Nakon 4 čišćenja filter zamijenite.

1 Uklonite rešetku filtera (Sl. 29).

2 Izvadite filter HEPA 13 koji se može prati (Sl. 30).

3 Rebrastu stranu filtera HEPA 13 isperite pod slabim mlazom vruće vode.

- Filter držite tako da rebrasta strana bude okrenuta prema gore, a voda teče usporedno s rebrima. Filter držite pod kutom tako da voda ispere prljavštinu unutar rebara (Sl. 31).
- Filter okrenite 180° i pustite vodu da teče uzduž rebara u suprotnom smjeru (Sl. 32).
- Ponavljajte ovaj postupak dok ne očistite filter.

Filter koji se može prati nikada nemojte čistiti četkom (Sl. 33).

Napomena: Čišćenjem se neće vratiti originalna boja filtera, ali će se vratiti moć filtriranja.

4 Pažljivo otresite vodu s površine filtera. Ostavite filter da se suši najmanje 2 sata prije no što ga vratite u usisavač.

5 Filter vratite u aparat. Ponovo pričvrstite gornji dio rešetke filtera i gurajte donje kutove dok ne sjednu na mjesto ("klik") (Sl. 34).

Naručivanje dodatnog pribora

Ako imate ikakvih problema prilikom nabavke filtera ili nekih drugih dodataka za aparat, obratite se Philips centru za korisnike u svojoj državi ili pročitajte međunarodni jamstveni list.

- Philips cilindrični filteri su dostupni pod servisnim brojem 4322 005 17520.
- Filteri Super Clean Air su dostupni pod brojem FC8030.
- Filteri Super Clean Air HEPA 12 koji se ne mogu prati dostupni su pod brojem FC8031.
- Filteri Ultra Clean Air HEPA 13 koji se mogu prati dostupni su pod brojem FC8038.

Zaštita okoliša

- Aparat koji se više ne može koristiti nemojte odlagati s uobičajenim otpadom iz kućanstva, nego ga odnesite u predviđeno odlagalište na recikliranje. Time ćete pridonijeti očuvanju okoliša (Sl. 35).

Jamstvo i servis

Ako vam je potrebna informacija ili imate problem, posjetite web-stranicu www.philips.com ili se obratite Philips centru za korisnike u svojoj državi (broj se nalazi u međunarodnom jamstvenom listu). Ako u vašoj državi ne postoji centar za korisnike, obratite se lokalnom prodavaču Philips proizvoda ili servisnom odjelu Philips Domestic Appliances and Personal Care BV.

Rješavanje problema

U ovom poglavlju opisani su najčešći problemi s kojima biste se mogli susresti prilikom uporabe aparata. Ako ne možete riješiti problem uz dolje navedene informacije, obratite se centru za korisničku podršku u svojoj državi.

1 Usisna snaga nije dovoljna.

- Provjerite je li gumb za reguliranje usisne snage postavljen na maksimalnu snagu usisavanja.
- Provjerite je li cilindrični filter prljav.

Ako je potrebno, očistite cilindrični filter:

- Provjerite treba li očistiti ili zamijeniti ostale filtere.
- Provjerite je li indikator začepljenja promijenio boju. Ako je promijenio boju, usisna četka, cijev ili crijevo možda su začepljeni. (Sl. 36)

Kako biste uklonili smetnju, odvojite začepljeni dio i spojite ga (što je dalje moguće) obrnuto na usisavač. Uključite usisavač tako da zrak prolazi kroz začepljeni dio u suprotnom smjeru.

2 Aparat se ne može uključiti.

- Provjerite je li kućište s cilindričnim filterom stavljeno u spremnik za prašinu.

Általános leírás (ábra 1)

- A** Burkolat
- B** Be/kikapcsoló gomb
- C** Szívóteljesítmény gomb
- D** Tisztító kefe
- E** Motorvédő szűrő
- F** Portartály
- G** Portartálynyitó gomb
- H** A henger alakú (cilinder) szűrő tartója
- I** Henger alakú (cilinder) szűrő
- J** Tömlőcsatlakozó
- K** Fogantyú
- L** Tartozéktartó
- M** Teleszkópos cső
- N** Tri-Active szívófej
- O** Réstisztító szívófej
- P** Kis szívófej (csak egyes típusoknál)
- Q** Kis kefe
- R** Super Clean Air szűrő, Super Clean Air HEPA 12 szűrő vagy Ultra Clean Air HEPA 13 szűrő
- S** Szűrőrács
- T** Parkoló állás nyílása
- U** Kábel-felcsévéző gomb

Fontos

A készülék első használata előtt figyelmesen olvassa el a használati utasításokat. Őrizze meg az útmutatót későbbi használatra.

Veszély

- Víz vagy más folyadék, gyúlékony anyag vagy még ki nem hűlt hamu felszívása tilos!

Figyelmeztetés

- A készülék csatlakoztatása előtt ellenőrizze, hogy a rajta feltüntetett feszültség egyezik-e a helyi hálózati feszültséggel.
- Ne használja a készüléket, ha a hálózati csatlakozódugó, a kábel vagy maga a készülék sérült.
- Ha a hálózati kábel meghibásodott, a kockázatok elkerülése érdekében Philips szakszervizben, vagy hivatalos szakszervizben ki kell cserélni.
- A készülék működtetésében járatlan személyek, gyerekek, nem beszámítható személyek felügyelet nélkül soha ne használják a készüléket.
- Vigyázzon, hogy a gyerekek ne játszanak a készülékkel.
- Ne irányítsa a gégecsövet, a szívócsövet vagy más tartozékot a szeméhez vagy a füléhez, és ne tegye a szájába, amikor az a porszívóhoz csatlakozik, és a porszívó be van kapcsolva.

Figyelem

- Ne szívjon fel nagyobb tárgyakat, mivel ezek elzárhatják a levegő áramlását a csőben vagy a gégecsőben.
- Ha a készüléket hamu, finom homok, mész, cementpor vagy hasonló anyagok felszívására használja, a szűrőhenger pórusai eldugulnak. Ha a szívóerő jelentős csökkenését tapasztalja, tisztítsa meg a szűrőhengert.
- Ha a porszívóval nagyobb tárgyat szívna fel, az eltorlaszolhatja a csövet, illetve a gégecsövet. Ekkor a blokkolásijelző vörössé válik, jelezve, hogy az akadályt el kell távolítani.
- Soha ne használja a készüléket a motorvédő szűrő nélkül, mert ettől károsodik a motor; és lerövidül a készülék élettartama.
- Kizárólag a készülékkel együtt szállított Philips henger alakú szűrőt használja.

- Zajsztint: $L_c = 76 \text{ dB [A]}$

Elektromágneses mezők (EMF)

Ez a Philips készülék megfelel az elektromágneses mezőkre (EMF) vonatkozó szabványoknak. Amennyiben a használati útmutatóban foglaltaknak megfelelően üzemeltetik, a tudomány mai állása szerint a készülék biztonságos.

Előkészítés

Gégecső

- 1** A gégecsőt erősen, kattanásig tolja be a készülékbe (ábra 2).
- 2** A gégecső lecsatlakozásához nyomja meg a kioldó gombot, és húzza ki a gégecsövet a készülékből (ábra 3).

Teleszkópos cső

- 1** A markolat rugós zárógombját megnyomva illessze a markolatot a gégecsőbe, illetve a rugós zárógombot a gégecső nyílásába (kattanásig) (ábra 4).
- 2** A szétválasztáshoz nyomja meg a rugós zárógombot, és húzza ki a fogantyút a szívócsőből. Ugyanezzel a módszerrel csatlakoztathatja illetve veheti le a szívófejeket.
- 3** Állítsa be a szívócső hosszúságát, hogy a lehető legkényelmesebbé tegye a porszívózást (ábra 5).

Tri-Active szívófej

A többfunkciós Tri-Active szívófej szőnyegek és hidegpadlók tisztítására is alkalmas.

- Az oldalkéfék több szennyeződést és port gyűjtenek össze a szívófej szélén, hatékonyabbá téve a bútorok és egyéb berendezések melletti takarítást (ábra 6).
- A szívófej elején lévő nyíláson át nagyobb szennyeződések is felszívhat (ábra 7).

- 1** Kemény padló tisztításához lábával nyomja meg a szívófejen lévő billenőkapcsolót (ábra 8).
 ▶ A kemény padló tisztítására alkalmas szalagkefe kiemelkedik a szívófej házából. Egyúttal a kerék is felemelkedik a karcolás megelőzése és a jobb irányíthatóság érdekében.
- 2** Szőnyeg tisztításához nyomja meg újból a billenőkapcsolót (ábra 9).
 ▶ A szalagkefe visszahúzódik a szívófej házába, a kerék pedig automatikusan leereszkedik.

Réstisztító szívófej, kis szívófej és kis kefe

- 1** Csatlakoztassa a réstisztító szívófejet (1), a kis szívófejet (2) (csak bizonyos típusoknál) vagy a kis kefét (3) közvetlenül a fogantyúhoz vagy a szívócsőhöz (ábra 10).

Tartozéktartó

- 1** Pattintsa a tartozéktartót a fogantyúra (ábra 11).
- 2** Pattintsa a két tartozékot a tartozéktartóra:
 - Réstisztító szívófej és kis szívófej (ábra 12).

Megjegyzés: Ügyeljen, hogy a kis szívófej szívónyílása ne a tartóelem felé álljon.

- Réstisztító szívófej és kis kefe (ábra 13).

Megjegyzés: Ügyeljen, hogy a kis kefe szívónyílása a tartóelem felé álljon.

A készülék használata

- 1** Húzza ki a kábelt a készülékből, és dugja be a hálózati csatlakozódugót a fali konnektorba.
- 2** Kapcsolja be a készüléket a tetején lévő be-/kikapcsoló gombbal (ábra 14).

- 3** Porszívózás közben a szívóerőt a készülék tetején lévő gombbal szabályozhatja (ábra 15).
 - A maximális szívóerőt erősen szennyezett szőnyegek és kemény padló tisztítására használja.
 - A legkisebb szívóerőt függöny, asztalterítő stb. porszívózásához használja.
- 4** Ha rövid szünetet szeretne tartani, illessze a szívófejet rögzítőcsín segítségével a tárolóhoronyba, így a csövet kényelmes helyzetbe teheti (ábra 16).

Tárolás

- 1** Kapcsolja ki a készüléket, és húzza ki a hálózati csatlakozódugót a fali aljzatból.
- 2** Csévélje fel a hálózati kábelt a kábelcsévélő gomb megnyomásával (ábra 17).
- 3** Illessze a szívófejet rögzítőcsín segítségével a tárolóhoronyba. Vízszintes helyzetben tárolja a készüléket úgy, hogy minden kerék a padlón legyen (ábra 16).
- 4** A Tri-Active szívófejet tároláskor mindig állítsa szőnyeg beállításra. Óvja az oldalkéfeket, nehogy elgörbüljenek (ábra 9).

A portartály ürítése

A portartály ürítése előtt mindig húzza ki a berendezés csatlakozóját a fali aljzatból.

A portartály nem tisztítható mosogatógépben.

- Nyissa ki a portartályt, amint a por szintje eléri a hengeres szűrő tartójának karimáját (ábra 18).

- 1** Kapcsolja ki a készüléket, és vegye le róla a gégecsövet.
- 2** A portartály fogantyújának tetején lévő kioldógomb megnyomásával oldja ki a burkolatot (1). Nyissa fel a burkolatot (2). (ábra 19)
- 3** Emelje ki a készülékből a portartályt (ábra 20).
- 4** Tartsa a szemetes fölé a porgyűjtő tartályt, és emelje ki a hengeres szűrő tartóját a tartályból. Ürítse ki a tartályt (ábra 21).
- 5** Amennyiben szükséges, hideg vízben és némi mosószerrel kitisztíthatja a porgyűjtő edényt.
- 6** Helyezze vissza a cilinderszűrő házat a porgyűjtő edénybe, az edényt pedig a készülékbe.
- 7** Zárja le a burkolatot kattanásig.

Mindig tegye vissza a cilinderszűrő házat a porgyűjtő edénybe, különben a készülék nem kapcsolható be.

A szűrők tisztítása és karbantartása

A szűrők tisztítása vagy cseréje előtt mindig húzza ki a készülék csatlakozódugóját a fali aljzatból.

A cilinderszűrő és a cilinderszűrő egység/ház nem mosható gépben.

Henger alakú (cilinder) szűrő

A cilinderszűrőt tisztítsa kéthavonta.

- 1** Kapcsolja ki a készüléket, és vegye le róla a gégecsövet.
- 2** A portartály fogantyújának tetején lévő kioldógomb megnyomásával oldja ki a burkolatot (1). Nyissa fel a burkolatot (2) (ábra 19).
- 3** Emelje ki a készülékből a portartályt (ábra 20).
- 4** Emelje ki a cilinderszűrő házat a porgyűjtő edényből (ábra 21).

- 5** Forgassa el a cilindrszűrő ház tetején lévő fogantyút, az óramutató járásával ellentétes irányba (1) és emelje ki a cilindrszűrőt a házából (2). (ábra 22)
- 6** Tisztítsa meg a cilindrszűrőt és a házat egy, a készülékhez csomagolt kefével. Kefélje a szűrőt felülről lefelé, a bordákon keresztül (ábra 23).

Csak a készülékhez mellékelt kefét használja! Más kefék esetlegesen kárt okozhatnak a cilindrszűrőben.

- 7** Amennyiben a porgyűjtő edény is poros belül, úgy ürítse ki a szemetes fölött.
- 8** Szükség esetén hideg vízben és kevés mosogatószerrel tisztíthatja a cilindrszűrőt.
- 9** Ne használjon szappant, folyékony tisztítószert vagy más tisztítószert a cilindrszűrő tisztításához. Várja meg, amíg a cilindrszűrő teljesen megszárad, mielőtt visszatenné a házba (ábra 24).
- 10** Helyezze vissza a henger alakú szűrőt a tartóba, és fordítsa a fogantyút az óramutató járásával ellenkező irányba, amíg a henger alakú szűrő a helyére nem pattan. Bizonyosodjon meg róla, hogy a cilindrszűrő megfelelően a helyére rögzült.
- 11** Tegye vissza a cilindrszűrőt a porgyűjtő edénybe.

Motorvédő szűrő

Amikor a cilindrszűrőt tisztítja, a motorvédő szűrőt is tisztítsa meg minden alkalommal.

- 1** Vegye ki a motorvédő szűrőt a készülékből, és rázza ki a szemetes felett (ábra 25). Ha a motorvédő szűrő erősen szennyezett, akkor hideg vízben is kiöblítheti.

Ne tisztítsa a motorvédő szűrőt mosogatószerrel vagy más tisztítószerelemmel!

- 2** Helyezze vissza a tiszta szűrőt a szűrőtartóba, ügyelve arra, hogy a helyére kerüljön.

Super Clean Air szűrő, Super Clean Air HEPA 12 szűrő vagy Ultra Clean Air HEPA 13 szűrő

A készülék Super Clean Air szűrőt, Super Clean Air HEPA 12 szűrőt vagy Ultra Clean Air HEPA 13 szűrőt tartalmaz. A szűrő a készülék hátuljában helyezkedik el.

Megjegyzés: A porszívó optimális porelnyelő és általános teljesítményének biztosítása érdekében mindig a megfelelő típusú, eredeti Philips-szűrőre cserélje ki a szűrőt (lásd a „Tartozékok rendelése” című fejezetet).

Super Clean Air szűrő

A Super Clean Air szűrő az elektrosztatikusan feltöltött szálak segítségével a kisméretű részecskék nagy részét megkötöti a kiáramló levegőből. Félévente cserélje a Super Clean Air szűrőt. A szűrő nem mosható.

- 1** Távolítsa el a szűrőrácsot (ábra 26).
- 2** Vegye ki a régi szűrőt (ábra 27).
- 3** Helyezze be az új szűrőt a készülékbe.
- 4** Helyezze vissza a szűrőrács tetejét, és nyomja meg az alsó sarkokat, hogy a helyükre pattanjanak (ábra 28).

Super Clean Air HEPA 12 szűrő

A Super Clean Air HEPA 12 szűrő 99,5%-os hatékonysággal képes kiszűrni a kiáramló levegő akár 0,0003 mm-es részecskéit is. Ebbe a tartományba nemcsak a háztartási por; hanem a mikroszkopikus élősködők is beletartoznak (pl. a házi poratka és ürüléke, amely a légúti allergiás panaszok ismert okozója).

Félévente cserélje a Super Clean Air HEPA 12 szűrőt. A szűrő nem mosható. A Super Clean Air HEPA 12 szűrő cseréjéhez hajtsa végre a fenti „Super Clean Air szűrő” című fejezet 1–4. lépését.

Mosható Ultra Clean Air HEPA 13 szűrő

Az Ultra Clean Air HEPA 13 szűrő 99,95%-os hatékonysággal képes kiszűrni a kiáramló levegő akár 0,0003 mm-es részecskéit is. Ebbe a tartományba nemcsak a háztartási por; hanem a mikroszkopikus élősködők is beletartoznak (pl. a házi poratka és ürüléke, amely a légúti allergiás panaszok ismert okozója).

Félévente tisztítsa ki a mosható Ultra Clean Air HEPA 13 szűrőt. Az Ultra Clean Air HEPA 13 szűrőt legfeljebb négy tisztítás után cserélje ki.

- 1** Távolítsa el a szűrőrácsot (ábra 29).
- 2** Vegye ki a mosható HEPA 13 szűrőt (ábra 30).
- 3** Forró, lassan folyó csapvíz alatt öblítse le a HEPA 13 szűrő redőzött felét.
 - A szűrőt redőzött felével felfelé tartsa úgy, hogy a víz a redőkkel párhuzamosan folyjon, olyan szögben, hogy kimossa a redők közül a szennyeződést (ábra 31).
 - 180°-kal forgassa el a szűrőt, és engedjen rá vizet az ellenkező irányból is (ábra 32).
 - Folytassa, amíg a szűrő teljesen tiszta nem lesz.

Soha ne tisztítsa a mosható szűrőt kefével (ábra 33).

Megjegyzés: Tisztítás után a szűrő ugyan nem kapja vissza eredeti színét, de szűrőteljesítménye helyreáll.

- 4** Alaposan rázza le a vizet a szűrő felületéről. Legalább két óráig hagyja száradni, mielőtt visszatenné a porszívóba.
- 5** Tegye vissza a szűrőt a készülékbe. Csupkja be a szűrőrácsot, és nyomja meg alsó sarkait, amíg a helyükre nem pattannak (ábra 34).

Tartozékok rendelése

Ha bármilyen nehézsége adódik a szűrők vagy más tartozékok beszerzésével, forduljon az országában található Philips ügyfélszolgálathoz, vagy tanulmányozza az egész világon érvényes garancialevelet.

- Philips cilindrszűrőt a 4322 005 17520 szervizszámon rendelhet meg.
- A Super Clean Air szűrők rendelési típuszáma FC8031.
- Nem mosható Super Clean Air HEPA 12 szűrők FC8031 típuszámon kaphatók.
- Mosható Ultra Clean Air HEPA 13 szűrők FC8038 típuszámon kaphatók.

Környezetvédelem

- A feleslegessé vált készülék szelektív hulladékként kezelendő. Kérjük, hivatalos újrahasznosító gyűjtőhelyen adja le, így hozzájárul a környezet védelméhez (ábra 35).

Jótállás és szerviz

Ha információra van szüksége, vagy ha valamilyen probléma merült fel, látogasson el a Philips honlapjára www.philips.com, vagy forduljon az adott ország Philips vevőszolgálatához (a telefonszámot megtalálja a világszerte érvényes garancialevélen). Ha országában nem működik vevőszolgálat, forduljon a Philips helyi szaküzletéhez vagy a Philips háztartási kisgépek és szépségápolási termékek üzletágának vevőszolgálatához.

Hibaelhárítás

Ez a fejezet részletesen foglalkozik a készülékkel kapcsolatban leggyakrabban felmerülő problémákkal. Ha nem sikerül megoldania a problémát az alábbi utasítások alkalmazásával, forduljon az országában működő Philips vevőszolgálathoz.

1 A szívóerő nem elegendő.

- Ellenőrizze, hogy a szívóerőgomb a legnagyobb pozíción van-e.
- Ellenőrizze, hogy a cilindrszűrő megtelt-e kosszal.

Ha szükséges, tisztítsa ki a cilindrszűrőt.

- Ellenőrizze, hogy a többi szűrőt nem kell-e tisztítani vagy cserélnie.
- Ellenőrizze, hogy a blokkolásijelző váltott-e színt. Ha igen, a szívófej, a szívócső vagy a gégecső esetleg eltömődött. (ábra 36)

Az eltömődés eltávolításához szüntesse meg az eltömődött elem csatlakozását, és (ha lehet) csatlakoztassa fordított irányban. Kapcsolja be a porszívót, és áramoltassa a levegőt fordított irányban, az eltömődött szakaszon át.

2 A készülék bekapcsolás után nem működik

- Ellenőrizze, hogy a cilindrszűrő ház a cilindrszűrővel megfelelően a porgyűjtő edénybe illeszkedik-e.

Жалпы сипаттама (Сурет 1)

- A** Жабылғы
- B** Қосу/өшіру түймесі
- C** Сору қуат түймесі
- D** Тазалайтын тарақ
- E** Мотор Қорғауыш Филтiр
- F** Шаң жинағыш дорба
- G** Шаң дорбасын босататын түйме
- H** Филтiр цилиндр қорабы
- I** Филтiр цилиндрi
- J** Шлангты қосушы
- K** Ұстағыш
- L** Қосымша бөлшек ретiнде берiлген қыстырғыш
- M** Телескоптік (бақылауға болатын) құбыр
- N** Үш белсенділікті қондырғы
- O** Жарықшақты аспап кішкене қондырғы
- P** Кішкене қондырғы (тек ерекше түрлері ғана)
- Q** Кішкене шетка
- R** Супер Таза Ауа Филтiрлерi, Супер Таза Ауа HEPA 12 Филтiрi немесе Ультра Таза Ауа HEPA 13 филтiрi
- S** Филтiр грилі
- T** Уақытша қоюға арналған орын
- U** Тоқ сымын жинайтын түйме

Маңызды

Құралды қолданар алдында осы нұсқауды мұқият оқып шағыңыз, әрі болашақта қолдануға сақтап қойыңыз.

Қауіпті

- Суды немесе басқа сұйықтықты соруға болмайды. Жануы жеңіл заттарды соруға болмайды, ал күлді сору үшін, оның суығанын күтіңіз.

Ескерту

- Құралды қосар алдында, құралда көрсетілген вольтаж, жергілікті қамтамасыз етілетін вольтажбен сәйкес келетіндігін тексеріп алыңыз.
- Егер құралдың шанышқысы, сымы немесе құралдың өзге бөлшегіне зақым тиген болса, құралмен қолданбаңыз.
- Егер тоқ сым зақымдалған болса, қауіпті жағдай туғызбас үшін, оны тек Philips немесе Philips әкімшілік берген қызмет орталығында немесе соған тәріздес деңгейі бар маман ғана ауыстыруы тиіс.
- Бұл құралмен, егер осы құралды қолдану жөнінде олардың қауіпсіздігіне жауапты адамнан нұсқау алған болмаса немесе оның қадағалауымен қолданып жатпаған болса, физикалық сезімталдығы төмен немесе ақылы кем адамдар, немесе білімі мен тәжірибесі аз адамдар (жас балаларды да қоса) қолдануына болмайды.
- Құралмен ойнамас үшін, балаларды қадағалаусыз қалдыруға болмайды.
- Шаң сорғыш қосулы кезінде, шланғыны, құбырды немесе басқа қосымша бөлшектерді көзіңізге, құлақтарыңызға, бағыттамаңыз және оларды аузыңызға салмаңыз.

Сақтандыру

- Үлкен заттарды соруға болмайды, себебі олар құбыр мен шлангінің ауа жүретін жеріне тұрып қалуы мүмкін.

44 ҚАЗАҚША

- Шаң сорғышты күл, ұсақ құм, әк, цемент шаңын және осы тәріздес заттарды сору үшін қолданған болсаңыз, фильтр цилиндрі порлары бітіп қалады. Егер сіз сору қуатының әжептеуір бәсеңдегенін байқаған болсаңыз, фильтр цилиндрін тазалаңыз.
- Үлкен заттарды сору әсерінен, құбырдағы немесе шлангідегі ауа өтетін жері бітіп қалуы мүмкін. Мұндай жағдайда, бітіп қалғанды білдіретін көрсеткіш қызыл болып жанып, құбырда немесе шлангіде зат тұрып қалғандығын және оны алып тастау керектігін білдіреді.
- Бұл құралды мотор қорғауыш фильтрісіз қолдануға болмайды. Бұл моторға зақым келтіріп, құралдың қызмет ететін өмірін қысқартуы мүмкін.
- Тек қана Philips дорба екі қабатты қағаз шаң жинағыш дорбаларын немесе қосымша берілген қайта қолдануға болатын шаң жинағыш дорбаларын ғана қолданыңыз.
- Шу деңгейі: $L_c = 76 \text{ dB(A)}$.

Электромагниттік өріс (ЭМӨ)

Осы Philips құралы Электромагниттік өріске (ЭМӨ) байланысты барлық стандарттарға сәйкес келеді. Егер осы құралды қосымша берілген нұсқаудағыдай ұқыпты қолданған болса, онда бұл құрал, бүгінгі таңдағы белгілі ғылыми зерттеулер бойынша, қолдануға қауіпсіз болып келеді.

Қолдануға дайындық

Шланг

- 1 Шланғыны қондыру үшін, оны құралға қатты итеріңіз («сырт») (Сурет 2).
- 2 Шлангіні ажырату үшін, босату түймесін басып, шлангіні құралдан суырып алыңыз (Сурет 3).

Телескоптік (бақылауға болатын) құбыр

- 1 Құбырды шлангтағы қол сабына байланыстыру үшін, қол сабындағы серіппелі бекіту түймесін басып, қол сабын құбырға енгізіңіз. Құбырдағы ашық тесікшеге серіппелі бекіту түймесін енгізіңіз (сырт ете түседі). (Сурет 4)
- 2 Құбырды шлангінің сабынан ажырату үшін, серіппелі құлпы түймесін басып, сапты құбырдан суырып тартып алыңыз.
Қондырғыларды қосу және ажырату үшін де осы әдісті қолданасыз.
- 3 Шаң сорғышпен жұмыс жасағанда, құбырдың ұзындығын өзіңізге ыңғайлы етіп алыңыз (Сурет 5).

Үш белсенділікті қондырғы

Үш белсенділікті қондырғы ол кілем мен қатты едендерге арналған көп мақсатты қондырғы.

- Жаныңдағы щетка қосымша шаң мен кірді жинауға көмек көрсете отырып, жихаздар мен басқа тосқауылдар арасын жақсырақ тазалауға мүмкіндік береді. (Сурет 6)
- Қондырғының алдындағы ашық саңлау ірі қоқыстарды жинауға мүмкіндік береді (Сурет 7).

- 1 Қатты едендерді тазалау үшін, құрамалды саптамадағы ықтырмалы қосу/өшіру түймесін аяғыңызбен басыңыз (Сурет 8).
 - Қатты едендерді тазалауға арналған қылшақ лентасы орыннан шығады. Сонымен қатар, дөңгелектері көтеріліп, еденді сырудың алдын алып, қозғалмасы өседі.
- 2 Кілемдерді тазалау үшін, ықтырмалы түймесін тағы басыңыз (Сурет 9).
 - Қылшақ лентасы орна түсіп, дөңгелектері автоматты түрде төмендетіледі.

Жарықшақты аспап, кішкене қондырғы және кішкене щетка

- 1 Жарықшақты аспапты (1), кішкене қондырғыны (тек ерекше түрлерінде ғана) (2) немесе кішкене щетканы (3) құбырға немесе тікелей сапқа жалғастырыңыз (Сурет 10).

Қосымша бөлшек ретінде берілген қыстырғыш

1 Қосымша бөлшектер сақтап қойғышты сабына сырт еткізіп орнатыңыз (Сурет 11).

2 Екі қосымша бөлшекті бөлшектер ұстағышқа сырт еткізіп салыңыз:

- Жарықшақты аспап және кішкене қондырғы (Сурет 12).

Есте сақтаңыз: Кішкене саптаманың сору тесігі ұстағыштан ары қарап тұруы тиіс.

- Жарықшақты аспап және кішкене щетка (Сурет 13).

Есте сақтаңыз: Кішкене қылшықтың сору тесігі ұстағышқа қарап тұруы тиіс.

Құралды қолдану

1 Тоқ сымын құралдан тартып шығарып, шанышқысын қабырғадағы розеткаға кіргізіңіз.

2 Құралды қосу үшін, құралдың төбесіндегі қосу/өшіру түймесін басыңыз (Сурет 14).

3 Құралдың басындағы төмпешектің көмегімен сору қуатын алмастырып отыруыңызға болады (Сурет 15).

- Өте кір кілемдер мен қатты едендерді шаң сорғышпен тазалау үшін ең жоғарғы сору қуатын қолданыңыз.
- Перделер, дастархандар және т.б. тазалау үшін, минималды сору қуатын таңдаңыз.

4 Егер сіз бір сәтке үзіліс жасағыңыз келсе, құбырды ыңғайлы ұстанымда уақытша қою үшін, қондырғының томпып тұрған жағын уақытша қою орнына кіргізіп қойыңыз (Сурет 16).

Сақтау

1 Құралды сөндіріп, оны тоқтан суырыңыз.

2 Тоқ сымын жинап қою үшін, тоқ сымын жинау түймесін басыңыз (Сурет 17).

3 Қондырғының жиегін арнайы тесікшеге енгізу арқылы құралға орнатып қоюыңызға болады. Құралды тігінен қойып, барлық дөңгелектерін еденге тигізіп қойып сақтаңыз (Сурет 16).

4 Шаң сорғышты жинап қойғанда әрдайым үш белсенділікті қондырғыны кілем бағдарламасына қойюды ұмытпаңыз, сонда сіз щетка таспасын қайырылып кетуден сақтайсыз (Сурет 9).

Шаң жинағыш шелекті босату

Шаң ыдысын босатар алдында әрдайым құралдың тоқ сымын розеткадан шығарыңыз.

Шаң ыдысын ыдыс жуғышта жууға болмайды.

- Шаң жинағыш шелекті шаң деңгейі фильтр цилиндрі қорабының дөңгелек дискісіне жеткен мезетте босатыңыз (Сурет 18).

1 Құралды сөндіріп, шлангісін алыңыз.

2 Шаң бақыраш сабының төбесіндегі босату түймесін басып, қақпақты босатыңыз (1). Тербетіп, қақпақты ашыңыз (2). (Сурет 19)

3 Шаң бақырашын құралдан көтеріп шығарыңыз (Сурет 20).

4 Шаң ыдысын қоқыс шелегі үстінен ұстап тұрып, фильтр цилиндрі орнын шаң ыдысынан шығарыңыз. Шаң ыдысын босатыңыз (Сурет 21).

5 Қаласаңыз, шаң жинағыш шелекті суық ағын суымен және біраз тазалағыш сұйықтықпен жуып жіберсеңіз болады.

46 ҚАЗАҚША

6 Фильтр цилиндрі қорабын қайтадан шаң жинағыш шелекке орнатып, оны құралға қайта қойыңыз.

7 Жабылғыны қаттылап жабыңыз («сырт» ете түсуі керек)

Фильтр цилиндрі орнын қайтадан ыдысқа орнатуды ұмытпаңыз, әйтпесе, құралды қоса алмайсыз.

Фильтрлерді тазалау және күту

Фильтрлерді тазалар немесе алмастырар алдында құралды міндетті түрде тоқтан суырыңыз.

Фильтр цилиндрі мен фильтр цилиндрі орнын ыдыс жуғышта жууға болмайды.

Фильтр цилиндрі

Фильтр цилиндрін әр 2 ай сайын тазалап тұрыңыз.

1 Құралды сөндіріп, шлангісін алыңыз.

2 Шаң бақыраш сабының төбесіндегі босату түймесін басып, қақпақты босатыңыз (1). Тербетіп, қақпақты ашыңыз (2) (Сурет 19).

3 Шаң бақырашын құралдан көтеріп шығарыңыз (Сурет 20).

4 Фильтр цилиндрі орнын ыдыстан көтеріп тартып алыңыз (Сурет 21).

5 Фильтр цилиндрі орнының жоғары жағындағы сабын сағат бағытына кері қарай бұраңыз (1) енді фильтр цилиндрін орнынан тартыңыз (2). (Сурет 22)

6 Фильтр цилиндрі мен орнын қосымша бөлшек ретінде берілген қылшақпен тазалаңыз. Фильтрдің жоғар жағынан төмен қарай қабырғалары бойынша қылшақпен тазалаңыз (Сурет 23).

Тек қосымша берілген щетканы ғана қолданыңыз! Басқа щеткалар фильтр цилиндрін зақымдауы мүмкін.

7 Қораптың ішінде шаң бар болса, оны қоқыс шелегіне босатыңыз.

8 Егер сіз фильтр цилиндрі қорабын жуғыңыз келсе, суық ағын суымен біраз тазалағыш сұйықтықпен жусаңыз болады.

9 Фильтр цилиндрді жуғыңыз келсе, тек сумен жақсылап жуыңыз. Фильтрді тазалауға ешқандай сабын, тазалағыш сұйықтық немесе порошок қолдануға болмайды. Қорабына қайтадан орнатар алдында оны жақсылап кептіріп алыңыз (Сурет 24).

10 Фильтр цилиндрін қайтадан орнына қойып, сабын сағат бағытына сырт етіп орнына түсіп бекітілгенше бұраңыз.

Фильтр цилиндрі орнына дұрыстап орнытылғандығын тексеріңіз.

11 Фильтр цилиндрі салынған орынды шаң ыдысына қайтадан салыңыз.

Мотор Қорғауыш Фильтр

Мотор Қорғаныс Тұрақты Фильтрін фильтр цилиндрі орнын тазалаған сайын тазалап отырыңыз.

1 Мотор қорғаныс фильтрін құралдан шығарыңыз. Фильтрді қоқыс шелегі үстінен шаңын сілкіп жіберу арқылы тазалаңыз (Сурет 25).

Мотор Қорғауыш Фильтрі өте кір болса, онда сіз оны суық ағын суымен шаюыңызға болады.

Фильтрді тазалауға ешқандай тазалағыш сұйықтықтарды немесе агенттерді қолдануға болмайды!

- 2** Таза фильтрді фильтр орнына қатты күш салып итеріңіз, оның орнына дұрыс түскендігіне көзіңізді жеткізіңіз.

Супер Таза Ауа Фильтрлері, Супер Таза Ауа HEPA 12 Фильтрі немесе Ультра Таза Ауа HEPA 13 Фильтрі

Бұл құрал Super Clean Air (Супер Таза Ауа) фильтрiмен, немесе Super Clean Air HEPA 12 (Супер Таза Ауа HEPA) фильтрiмен, не болмаса Ultra Clean Air HEPA 13 (Ультра Таза Ауа HEPA) фильтрiмен қамтамасыз етiлген. Бұл фильтрлер құралдың артқы жағында орналасқан.

Есте сақтаңыз: Шаң сорғышыңыз тиiмгi түрде шаң жинап, жоғарғы сапалы қызмет көрсетуiне кепiлдiк алу үшiн, HEPA фильтрiн тек түп нұсқалы Philips фильтрiнiң дұрыс түрiмен ғана алмастырыңыз («Қосымша бөлшектерге тапсырыс беру» тармағын қараңыз).

Супер Таза Ауа Фильтрлері

Super Clean Air (Супер Таза Ауа) фильтрi кiшiрек бөлшектердiң көбiсiн өзiнiң электростатикалық жолмен зарядталған талшықтары арқылы қолданылған ауадан ұстап қалады. Супер Таза Ауа фильтрiн әр алты ай сайын алмастырып отырыңыз. Бұл фильтрдi жууға болмайды.

- 1** Фильтр торын алыңыз (Сурет 26).
- 2** Ескі фильтрді алып тастаңыз (Сурет 27).
- 3** Жаңа фильтрді құралға орнатыңыз.
- 4** Фильтр торының жоғар жағын қайтадан салып, төмен бұрыштарын орнына түскенше итеріңіз («сырт» ете түседі) (Сурет 28).

Супер Таза Ауа HEPA 12 Фильтрі

Super Clean Air HEPA 12 (Супер Таза Ауа HEPA) фильтрi ауа шығатын жерден 0,0003 мм. мөлшерлi бөлшектредiң 99,5% ұстап қалады. Ол тек қана үй iшiндегi қоқыс бөлшектерiн ғана емес, сонымен қатар дем алу аллергияларының себебi болып келетiн шаң кенелерi мен олардың боқтары тәрiздi зиянды микроскопты паразиттердi ұстап қалады. Супер Таза Ауа HEPA 12 фильтрiн әр бiр алты ай сайын алмастырыңыз. Бұл фильтрдi жууға болмайды.

Super Clean Air HEPA 12 (Супер Таза Ауа HEPA) фильтрiн алмастыру үшiн, жоғарыда берiлген «Super Clean Air (Супер Таза Ауа) фильтрi» тармағының 1-4 қадамдарын орындаңыз.

Жууға болатын Ультра Таза Ауа HEPA 13 Фильтрі

Super Clean Air HEPA 12 (Супер Таза Ауа HEPA) фильтрi ауа шығатын жерден 0,0003 мм. мөлшерлi бөлшектредiң 99,95% ұстап қалады. Ол тек қана үй iшiндегi қоқыс бөлшектерiн ғана емес, сонымен қатар дем алу аллергияларының себебi болып келетiн шаң кенелерi мен олардың боқтары тәрiздi зиянды микроскопты паразиттердi ұстап қалады. Жууға болатын Ультра Таза Ауа HEPA 13 фильтрiн әр бiр 6 ай сайын тазалап отырыңыз. Сiз жууға болатын Ультра Таза Ауа HEPA 13 фильтрiн ең көп дегенде 4 рет тазалауыңызға болады. Фильтрді 4 рет тазалағаннан соң, оны алмастырыңыз.

- 1** Фильтр торын алыңыз (Сурет 29).
- 2** Жууға болатын HEPA 13 фильтрiн алыңыз (Сурет 30).
- 3** HEPA 13 фильтрiнiң бүктелмелi жағын жәймен ағып тұрған ыстық ағын су астында шәйiнiз.
 - Фильтрді бүктелген жағын жоғары қаратып ұстап, суды бүктелмесiне паралелдi етiп ағызыңыз. Фильтрдің iшiндегi жиналып қалған кiрдi су ағызып жiберетiндей бұрышпен ұстаңыз (Сурет 31).
 - Фильтрді 180° бұрап, суды керiсiнше ағызып жiберiңiз (Сурет 32).
 - Осы әрекеттi филтр толығымен таза болғанша қайталай берiңiз.

48 ҚАЗАҚША

Жууға болатын фильтрді қылшақпен тазалауға болмайды (Сурет 33).

Есте сақтаңыз: Тазалау әрекеті фильтрдің түп нұсқалы түсін жоймайды, дегенмен, ол оның фильтрлеу қуатын жаяды.

- 4** Абайлап фильтр бетіндегі суды сілкіп жіберіңіз. Фильтрді кем дегенде 2 сағат бойы кептіріңіз, содан соң оны қайтадан шаң сорғышқа орнатыңыз.
- 5** Фильтрді құралға қайта орнатыңыз. Фильтр торының жоғарғы жағын орнына салып, астыңғы бұрыштарын орнына түскенше итеріңіз («сырт» ете түседі) (Сурет 34).

Құрал саймандарға тапсырыс беру

Егер сіз фильтр немесе басқа қосымша бөлікті табу барысында қиыншылықтарға кездессеңіз, өзіңіздің еліңіздегі Philips Тұтынушылар Қызмет Орталығымен байланысыңыз, немесе дүние жүзілік кепілдік кітапшасын қараңыз.

- Philips Фильтр цилиндрлері 4322 005 17520 қызмет нөмірі бойынша қаматамасыз етіледі.
- Супер Таза Ауа Фильтрлері FC8030 нөмірлі түрлеріне қаматамасыз етіледі.
- Жууға болмайтын Супер Таза Ауа HEPA 12 фильтрін FC8031 түрінің нөмірі бойынша сұраныс жасауға болады.
- Жууға болатын Ультра Таза Ауа HEPA 13 фильтрлерін мына нөмірі бойынша тапсырыс жасауға болады FC8038.

Қоршаған айнала

- Құралды өз қызметін көрсетіп тозғаннан кейін, күнделікті үй қоқысымен бірге тастауға болмайды. Оның орнына бұл құралды арнайы жинап алатын жерге қайта өңдеу мақсатына өткізіңіз. Сонда сіз қоршаған айналаны сақтауға себіңізді тигізесіз (Сурет 35).

Кепілдік және қызмет

Егер сізге ақпарат керек болса, немесе сізде ойландырған мәселе болса, Philips'тің интернет бетіндегі www.philips.com веб-сайтына келіңіз, немесе өзіңіздің еліңіздегі Philips Тұтынушылар Орталығына телефон шалсаңыз болады (оның нөмірін сіз дүние жүзі бойынша берілетін кепілдік кітапшасынан табасыз). Сіздің еліңізде Тұтынушылар Қамқорлық Орталығы жоқ болған жағдайда өзіңіздің жергілікті Philips дилеріне арызданыңыз немесе Philips'тің Үйге арналған құралдар қызмет департаменті және Жеке Қамқор BV бөліміне арызданыңыз.

Ақаулықтарды табу

Осы тармақта құралмен қолданғанда жиі кездесетін келел мәселелер жөнінде әңгіме жүреді. Егер сіз Мәселенізді шеше алмасаңыз, өзіңіздің еліңіздегі Philips Тұтынушылар Орталығына телефон шалсаңыз болады.

1 Сору қуаты әлсіз.

- Сору түймесі ең жоғарғы нұсқада тұр ма екендігін тексеріңіз.
- Фильтр цилиндрі шаңмен толып қалмағандығын тексеріңіз.

Егер қажет болса, фильтр цилиндрін тазалаңыз.

- Басқа фильтрлерді алмастыру керек емес пе екендігін тексеріңіз.
- Бітіп қалғандығын білдіретін көрсеткіш түсін өзгерпегендігін тексеріңіз. Егер өзгерген болса, құбыр немесе шлангқа заттар тұрып қалған болар. (Сурет 36)

Қондырғы, құбыр немесе шланг бітіп қалмағандығын тексеріңіз. Тұрып қалған заттарды алып тастау үшін, бітіп қалған бөлікті ажыратып, керісінше қосыңыз (мүмкіндік болса). Шаң сорғышты қосып, тұрып қалған затты кері бағытта сору арқылы шығарып аласыз.

2 Құрал қосылмайды.

- Фильтр цилиндрі мен фильтр цилиндрі орны шаң ыдысына орнатылғандығын тексеріңіз.

Bendrasis aprašas (Pav. 1)

- A** Dangtis
- B** Įjungimo / išjungimo mygtukas
- C** Siurbimo galios reguliavimo rankenėlė
- D** Valymo šepetėlis
- E** Apsauginis variklio filtras
- F** Dulkių surinkimo dėžė
- G** Dulkių surinkimo dėžės atlaisvinimo mygtukas
- H** Filto cilindro korpusas
- I** Filto cilindras
- J** Žarnos jungtis
- K** Rankena
- L** Priedų laikiklis
- M** Teleskopinis vamzdis
- N** Trijų padėčių antgalis
- O** Siauras antgalis
- P** Mažas antgalis (tik specifiniuose modeliuose)
- Q** Šepetėlis
- R** „Super Clean Air“ filtras, „Super Clean Air HEPA 12“ filtras arba „Ultra Clean Air HEPA 13“ filtras
- S** Filto grotelės
- T** Stovo įpjova
- U** Laido vyniojimo mygtukas

Svarbu

Prieš pradėdami naudotis prietaisu, atidžiai perskaitykite šį vartotojo vadovą ir saugokite jį, nes jo gali prireikti ateityje.

Pavojus

- Niekada nesiurbkite vandens ar kitų skysčių. Niekada nesiurbkite lengvai užsidegančių medžiagų ar nevisiškai atvėsusių pelenų.

Įspėjimas

- Prieš įjungdami prietaisą patikrinkite, ar ant prietaiso nurodyta įtampa atitinka vietinio tinklo įtampą.
- Nenaudokite prietaiso, jei jo kištukas, maitinimo laidas ar jis pats yra pažeisti.
- Jei pažeistas maitinimo laidas, vengiant rizikos, jį turi pakeisti „Philips“ darbuotojai, „Philips“ įgaliotasis techninės priežiūros centras arba kiti panašios kvalifikacijos specialistai.
- Šis prietaisas neskirtas naudoti asmenims (įskaitant vaikus), kuriems būdingi sumažėję fiziniai, jutimo arba protiniai gebėjimai, arba tiems, kuriems trūksta patirties ir žinių, nebent už jų saugą atsakingas asmuo prižiūrėjo arba nurodė, kaip naudoti prietaisą.
- Prižiūrėkite, kad vaikai nežaistų su prietaisu.
- Nenukreipkite žarnos, vamzdžio ar kito priedo į akis ar ausis, taip pat nekiškite į burną, kai jie prijungti prie dulkių siurblio, o dulkių siurblys įjungtas.

Atsargiai

- Nesiurbkite didelių objektų, nes jie gali užkimšti oro tėkmę vamzdyje arba žarnoje.
- Kai siurbliu siurbiate pelenus, smulkų smėlį, kalkes, cemento dulkes ir panašias medžiagas, gali užsikimšti filto cilindro poros. Pastebėję didelį siurbimo galios sumažėjimą, išvalykite filto cilindrą.
- Įsiurbti dideli objektai gali trikdyti oro tėkmę vamzdžiu arba žarna. Jei taip atsitinka, blokavimo indikatoriuje pamatysite raudoną spalvą, parodančią, kad yra kliūtis, kurią reikia pašalinti.
- Niekada nenaudokite prietaiso be apsauginio variklio filtro. Tai kenkia varikliui ir trumpina prietaiso naudojimo laiką.

50 LIETUVIŠKAI

- Naudokite tik „Philips“ filtro cilindrą, tiekiamą kartu su prietaisu.
- Triukšmo lygis: $L_c = 76$ dB(A).

Elektromagnetiniai laukai (EMF)

Šis „Philips“ prietaisas atitinka visus elektromagnetinių laukų (EMF) standartus. Tinkamai eksploatuojant prietaisą pagal šiame vartotojo vadove pateiktus nurodymus, remiantis dabartine mokslinė informacija, jį yra saugu naudoti.

Paruošimas naudoti

Žarna

- 1 Norėdami prijungti žarną, tvirtai įkiškite ją į dulkių siurblių (išgirsite spragtelėjimą) (Pav. 2).
- 2 Norėdami atjungti žarną, paspauskite atlaisvinimo mygtuką ir ištraukite žarną iš prietaiso (Pav. 3).

Teleskopinis vamzdis

- 1 Norėdami prijungti vamzdį prie žarnos rankenos, nuspauskite spyruoklinio užrakto mygtuką, esantį ant rankenos, ir įkiškite rankeną į vamzdį. Įstatykite spyruoklinio užrakto mygtuką į vamzdyje esančią angą (pasigirs spragtelėjimas) (Pav. 4).
- 2 Norėdami atjungti vamzdį nuo rankenos, paspauskite spyruoklinės spynelės mygtuką ir nuimkite rankeną nuo vamzdžio.
Tokių pačių būdu prijunkite ir atjunkite antgalius.
- 3 Nustatykite sau patogiausią valymo vamzdžio ilgį (Pav. 5).

Trijų padėčių antgalis

Trijų padėčių antgalis tinkamiausias kilimams ir nekiliminėms grindims valyti.

- Šoniniai šepetėliai surenka daugiau dulkių iš antgalio šonų, todėl galima geriau išvalyti vietas aplink baldus ir kitus daiktus (Pav. 6).
- Anga, esanti antgalio priekyje, susiurbia didesnes daleles (Pav. 7).

- 1 Norėdami valyti kietas grindis, koja paspauskite antgalio viršuje esančią svirtį, kad iš antgalio išlįstų šepetys (Pav. 8).
Iš angos išlįs šepetys, skirtas kietoms grindims valyti. Iš karto pakils ratukas, kad nesubraižytų grindų ir būtų lengviau manevruoti.
- 2 Valydami kilimus, koja paspauskite svirtinį jungiklį dar kartą (Pav. 9).
Šepetys sulįs į antgalio angą ir ratukas automatiškai nusileis.

Siauras antgalis, mažas antgalis ir šepetėlis

- 1 Prijunkite siaurą antgalį (1), mažą antgalį (tik tam tikruose tipuose) (2) arba šepetėlį (3) tiesiai prie rankenos arba vamzdžio (Pav. 10).

Priedų laikiklis

- 1 Užspauskite priedų laikiklį ant rankenos (Pav. 11).
- 2 Užspauskite du priedus priedų laikiklyje:
 - Siauras antgalis ir mažas antgalis (Pav. 12).

Pastaba: Įsitikinkite, kad siurbimas atsidarantis iš mažo antgalio nukreiptas nuo laikiklio.

- Siauras antgalis ir šepetėlis (Pav. 13).

Pastaba: Įsitikinkite, kad siurbimas atsidarantis iš mažo antgalio nukreiptas į laikiklį.

Prietaiso naudojimas

- 1 Ištraukite laidą iš prietaiso ir įkiškite kištuką į sieninį el. lizdą.
- 2 Norėdami įjungti prietaisą, paspauskite ant jo esantį įjungimo / išjungimo mygtuką (Pav. 14).
- 3 Siurbimo metu siurbimo galią galite reguliuoti rankenėle, esančia ant prietaiso viršaus (Pav. 15).
 - Didžiausią siurbimo galią naudokite, siurbdami labai purvinius kilimus ir kietas grindis.
 - Mažiausią siurbimo galią naudokite, siurbdami užuolaidas, staltieses ir t.t.
- 4 Jei norite trumpam sustoti, įterpkite antgalio briauną į stovo įpjovą ir pastatykite vamzdį į patogią padėtį (Pav. 16).

Laikymas

- 1 Išjunkite prietaisą ir ištraukite laidą iš sieninio el. lizdo.
- 2 Paspauskite laido vyniojimo mygtuką, kad suvyniotumėte ištrauktą laido dalį (Pav. 17).
- 3 Ant antgalio uždėkite įterpę ir įstatykite į stovėjimo įpjovą, norėdami prie prietaiso pritvirtinti antgalį. Prietaisą laikykite horizontalioje padėtyje, visiems jo ratams liečiant grindis (Pav. 16).
- 4 Trijų padėčių antgalį visada laikykite kilimui valyti skirtame komplekte. Taip pat stenkitės, kad nesusilankstytų šepetio šeriai (Pav. 9).

Dulkių surinkimo dėžės ištuštinimas

Prieš ištuštinami dulkių surinkimo dėžę, visuomet išjunkite prietaisą iš maitinimo tinklo.

Dulkių surinkimo dėžės negalima plauti indų plovimo mašinoje.

- Kai tik dulkės pasiekia apskritą filtro cilindro korpuso diską, reikėtų išvalyti dulkių surinkimo dėžę (Pav. 18).

- 1 Išjunkite prietaisą ir nuimkite žarną.
- 2 Paspauskite ant dulkių surinkimo dėžės rankenos esantį atlaisvinimo mygtuką, kad būtų atrakintas dangtis (1). Atidarykite dangtį (2). (Pav. 19)
- 3 Iškelkite dulkių surinkimo dėžę iš prietaiso (Pav. 20).
- 4 Laikydami dulkių surinkimo dėžę virš šiukšlių dėžės, išimkite filtro cilindro korpusą. Išvalykite dulkių surinkimo dėžę (Pav. 21).
- 5 Jei norite, dulkių surinkimo dėžę galite plauti šaltu tekančiu vandeniu ir trupučiu indų plovimo skysčio.
- 6 Filtro cilindro korpusą įstatykite atgal į dulkių surinkimo dėžę ir tada ją įstatykite į prietaisą.
- 7 Tvirtai uždarykite dangtį (pasigirs spragtelėjimas).

Visuomet įstatykite filtro cilindro korpusą į dulkių surinkimo dėžę. Jei to nepadarysite, negalėsite įjungti prietaiso.

Filtrų valymas ir priežiūra

Prieš valydami ar keisdami filtrus, visada išjunkite prietaisą iš elektros tinklo.

Filtro cilindro ir filtro cilindro korpuso negalima plauti indų plovimo mašinoje.

Filtro cilindras

Filtro cilindrą valykite kas 2 mėnesius.

52 LIETUVIŠKAI

- 1 Išjunkite prietaisą ir nuimkite žarną.
- 2 Paspauskite ant dulkių surinkimo dėžės rankenos esantį atlaisvinimo mygtuką, kad būtų atrakintas dangtis (1). Atidarykite dangtį (2) (Pav. 19).
- 3 Iškelkite dulkių surinkimo dėžę iš prietaiso (Pav. 20).
- 4 Iškelkite filtro cilindro korpusą iš dulkių surinkimo dėžės (Pav. 21).
- 5 Pasukite rankenėlę, esančią filtro cilindro korpuso viršuje, prieš laikrodžio rodyklę (1) ir iškelkite filtro cilindrą iš korpuso (2). (Pav. 22)
- 6 Išvalykite filtro cilindrą ir dėžę šepetčiu, esančiu rinkinyje. Braukite nuo filtro viršaus iki apačios išilgai filtro griovelių (Pav. 23).

Naudokite tik rinkinyje esantį šepetį. Kiti šepėčiai gali sugadinti filtro cilindrą.

- 7 Jei dėžėje yra purvo, išvalykite jį virš šiukšlių dėžės.
- 8 Jei norite, filtro cilindro korpusą galite plauti šaltu tekančiu vandeniu ir trupučiu indų plovimo skysčio.
- 9 Jei norite plauti filtro cilindrą, plaukite jį kruopščiai tik vandeniu. Filtrui plauti nenaudokite muilo, indų plovimo skysčio ar kitų valymo priemonių. Prieš įdėdami filtro cilindrą atgal į korpusą, leiskite jam visiškai išdžiūti (Pav. 24).
- 10 Įstatykite filtro cilindrą į korpusą ir sukite rankenėlę pagal laikrodžio rodyklę, kol filtro cilindras įsitvirtins savo vietoje.

Patikrinkite, ar filtro cilindras patikimai įtvirtintas korpuse.

- 11 Įstatykite korpusą su filtro cilindru atgal į dulkių surinkimo dėžę.

Apsauginis variklio filtras

Kaskart valydami filtro cilindro korpusą, išvalykite ir ilgalaikį apsauginį variklio filtrą.

- 1 Išimkite apsauginį variklio filtrą iš prietaiso. Išvalykite filtrą, išpurtydami dulkes virš šiukšlių dėžės (Pav. 25).

Jei apsauginis variklio filtras labai nešvarus, galite jį praskalauti šaltu bėgančiu vandeniu.

Valydami apsauginį variklio filtrą nenaudokite indų plovimo skysčio ar kitokių valymo priemonių.

- 2 Įstatydami filtrą į filtro įtvirtinimo vietą, stipriai jį paspauskite, kad įsitikintumėte, jog jis tinkamai įtvirtintas.

„Super Clean Air“ filtras, „Super Clean Air HEPA 12“ filtras arba „Ultra Clean Air HEPA 13“ filtras

Šiame prietaise įtaisytas arba „Super Clean Air“ filtras, arba „Super Clean Air HEPA 12“ filtras, arba „Ultra Clean Air HEPA 13“ filtras. Šie filtrai yra prietaiso gale.

Pastaba: Kad užtikrintumėte optimalų dulkių išlaikymą ir dulkių siurblio efektyvumą, visada pakeiskite filtrą originaliu atitinkamo tipo „Philips“ filtru (žr. skyrių „Prietaiso dalių užsakymas“).

„Super Clean Air“ filtras

„Super Clean Air“ filtras filtruoja didelę mažesniųjų dalelių, esančių išleidžiamame ore, dalį, naudodamas elektrostatiškai įkrautus pluoštus.

„Super Clean Air“ filtrą keiskite kas šešis mėnesius. Šis filtras neplaunamas.

- 1 Nuimkite filtro groteles (Pav. 26).
- 2 Išimkite seną filtrą (Pav. 27).
- 3 Į prietaisą įstatykite naują filtrą.

- 4** Vėl uždėkite filtro grotelių viršų ir stumkite apatinius kampus, kol jie atsidurs jiems skirtose vietose (pasigirs spragtelėjimas) (Pav. 28).

Super Clean Air HEPA 12 filtras

„Super Clean Air HEPA 12“ filtras gali iš išleidžiamo oro pašalinti 99,5% visų iki 0,0003 mm dydžio dalelių. Taip apimamos ne tik įprastos namų dulės, bet ir žalingi mikroskopiniai parazitai kaip dulkių erkės ir jų ekskrementai, gerai žinomi kaip kvėpavimo alergijų sukėlėjai.

Super Clean Air HEPA 12 filtrą pakeiskite kas šešis mėnesius. Šis filtras neplaunamas.

Norėdami pakeisti „Super Clean Air HEPA 12“ filtrą, vykdykite 1–4 veiksmus, nurodytus aukščiau esančioje dalyje „Super Clean Air“ filtras“.

Plaunamas Ultra Clean Air HEPA 13 filtras

„Ultra Clean Air HEPA 13“ filtras gali iš išleidžiamo oro pašalinti 99,95% visų iki 0,0003 mm dydžio dalelių. Taip apimamos ne tik įprastos namų dulės, bet ir žalingi mikroskopiniai parazitai kaip dulkių erkės ir jų ekskrementai, gerai žinomi kaip kvėpavimo alergijų sukėlėjai.

Valykite plaunamą „Ultra Clean Air HEPA 13“ filtrą kas 6 mėnesius. Plaunamą „Ultra Clean Air HEPA 13“ filtrą daugiausiai galite išvalyti 4 kartus. Pakeiskite filtrą, kai jis bus išvalytas 4 kartus.

- 1** Nuimkite filtro groteles (Pav. 29).

- 2** Išimkite plaunamą „HEPA 13“ filtrą (Pav. 30).

- 3** Praskalaukite klostuotą „HEPA 13“ filtro pusę po silpna karšta srove.

- Laikykite filtrą taip, kad klostuota pusė būtų viršuje, o vanduo bėgtų lygiagrečiai į klostes. Laikykite filtrą tokiu kampu, kad vanduo išplautų purvą klostių viduje (Pav. 31).
- Pasukite filtrą 180 laipsnių kampu ir leiskite klostėse vandeniui bėgti priešinga kryptimi (Pav. 32).
- Tęskite, kol filtras bus švarus.

Niekada nevalykite plaunamo filtro šepetėliu (Pav. 33).

Pastaba: Valymas neatkuria pradinės filtro spalvos, bet atkuria jo filtravimo galingumą.

- 4** Atsargiai nukratykite vandenį nuo filtro paviršiaus. Leiskite filtrui džiūti mažiausiai 2 valandas prieš įdėdami jį atgal į dulkių siurbį.
- 5** Įdėkite filtrą atgal į prietaisą. Vėl uždėkite filtro grotelių viršų ir stumkite apatinius kampus, kol jie atsidurs jiems skirtose vietose (pasigirs spragtelėjimas) (Pav. 34).

Priedų užsakymas

Jei turite sunkumų įsigydami filtrų ar kitų šio prietaiso dalių, kreipkitės į savo šalies „Philips“ klientų aptarnavimo centrą arba perskaitykite visame pasaulyje galiojančios garantijos lankstinuką.

- „Philips“ filtrų cilindrus galite užsisakyti, paskambinę į aptarnavimo tarnybą tipo kodu 4322 005 17520.
- „Super Clean Air“ filtrų tipo numeris yra FC8030.
- Neplaunamų „Super Clean Air HEPA 12“ filtrų modelių numeris yra FC8031.
- Plaunamų Ultra Clean Air HEPA 13 filtrų numeris yra FC8038.

Aplinka

- Susidėvėjusio prietaiso nemeskite su įprastomis buitinėmis atliekomis, o nuneškite jį į oficialų surinkimo punktą perdirbti. Taip prisidėsite prie aplinkosaugos (Pav. 35).

Garantija ir techninė priežiūra

Jei jums reikia informacijos arba kyla problemų, apsilankykite „Philips“ tinklalapyje www.philips.com arba kreipkitės į savo šalies „Philips“ klientų aptarnavimo centrą (telefono numerį rasite visame pasaulyje galiojančios garantijos lankstinuke). Jei jūsų šalyje nėra klientų aptarnavimo centro, kreipkitės į vietinį „Philips“ pardavėją arba „Philips“ buitinės technikos priežiūros skyrių.

Trikčių nustatymas ir šalinimas

Šis skyrius apibendrina dažniausiai pasitaikančias, su prietaisu susijusias problemas. Jei negalite išspręsti problemos naudodamiesi žemiau pateikta informacija, kreipkitės į savo šalies klientų aptarnavimo centrą.

1 Nepakankama siurbimo galia.

- Patikrinkite, ar galios reguliavimo rankenėlė yra maksimalaus nustatymo padėtyje.
- Patikrinkite, ar filtro cilindras yra neužsiteršęs purvu.

Jei būtina, išvalykite filtro cilindrą.

- Patikrinkite, ar nereikia išvalyti bei pakeisti kitų filtrų.
- Patikrinkite, ar blokavimo indikatorius nepakeitė spalvos. Jei taip, gali būti užsikimšęs antgalis, vamzdis arba žarna. (Pav. 36)

Norėdami išimti susidariusį kamštį, išrinkite užsikimšusią dalį ir sujunkite ją (kiek galima toliau) priešinga puse. Įjunkite siurbli , kad oras eitų per užsikimšusią dalį priešinga kryptimi.

2 Nejmanoma įjungti prietaiso.

- Patikrinkite, ar filtro cilindro korpusas, su filtro cilindru jame, buvo įdėtas į dulkių surinkimo dėžę.

Vispārējs apraksts (Zīm. 1)

- A** Apvāks
- B** Ieslēgšanas/izslēgšanas poga
- C** Sūkšanas jaudas poga
- D** Tīrīšanas suka
- E** Motora aizsargfiltrs
- F** Putekļu tvertne
- G** Putekļu tvertnes atbrīvošanas poga
- H** Filtra cilindra ietvars
- I** Filtra cilindrs
- J** Šļūtenes savienotājs
- K** Rokturis
- L** Piederumu turētājs
- M** Teleskopiskā caurule
- N** Tri-Active uzgalis
- O** Šaurās vietās ievietojams uzgalis
- P** Mazais uzgalis (tikai atsevišķiem modeļiem)
- Q** Mazā suka
- R** Super Clean Air filtrs, Super Clean Air HEPA 12 filtrs vai Ultra Clean Air HEPA 13 filtrs
- S** Filtra režģis
- T** Novietošanas vieta
- U** Vada saritināšanas poga

Svarīgi

Pirms ierīces lietošanas uzmanīgi izlasiet šo lietošanas pamācību un saglabājiet to, lai vajadzības gadījumā varētu ieskatīties tajā arī turpmāk.

Briesmas

- Nekādā gadījumā neuzsūciet ūdeni vai kādu citu šķidrumu. Neuzsūciet viegli uzliesmojošas vielas vai pelnus, kamēr tie nav atdzisuši.

Brīdinājums

- Pirms ierīces pievienošanas elektrotīklam pārbaudiet, vai uz tās norādītais spriegums atbilst elektrotīkla spriegumam jūsu mājā.
- Neizmantojiet ierīci, ja ir bojāta kontaktdakša, elektrības vads vai pati ierīce.
- Ja elektrības vads ir bojāts, jums jānomaina tas Philips pilnvarotā servisa centrā vai līdzīgi kvalificētam personām, lai izvairītos no bīstamām situācijām.
- Šo ierīci nevar izmantot personas (tai skaitā bērni) ar fiziskiem, maņu vai garīgiem traucējumiem vai ar nepietiekamu pieredzi un zināšanām, kamēr par viņu drošību atbildīgā persona nav īpaši viņus apmācījusi izmantot šo ierīci.
- Jānodrošina, lai ar ierīci nevarētu rotaļāties mazi bērni.
- Nevērsiet šļūteni, cauruli vai kādu citu piederumu pret acīm vai ausīm kā arī nelieciet tos savā mutē, kad tie ir pievienoti ieslēgtam putekļu sūcējam.

Ievērbai

- Niesūciet lielus objektus, jo tas var izraisīt caurules vai šļūtenes gaisa plūsmas nosprostošanos.
- Kad izmantojat putekļu sūcēju, lai sūktu pelnus, smiltis, kaļķus, cementa putekļus un līdzīgas vielas, filtra cilindra poras nosprostojas. Ja sūkšanas jauda ievērojami samazinās, iztīriet filtra cilindru.
- Uzsūcot lielus priekšmetus, var aizsprostoties caurule vai šļūtene. Ja tā notiek, aizsprostošanās indikators iedegas sarkanā krāsā, norādot, ka jālikvidē aizsprostojums.
- Nekādā gadījumā nelietojiet putekļusūcēju bez motora aizsargfiltra. Tas bojā motoru un saīsina ierīces darbmūžu.
- Lietojiet Philips filtra cilindra aizstājēju tikai kopā ar ierīci.

56 LATVIEŠU

- Trokšņa līmenis: $L_c = 76$ dB(A).

Elektromagnētiskie Lauki (EMF)

Šī Philips ierīce atbilst visiem standartiem saistībā ar elektromagnētiskiem laukiem (EMF). Ja rīkojaties atbilstoši un saskaņā ar instrukcijām šajā rokasgrāmatā, ierīce ir droši izmantojama saskaņā ar mūsdienās pieejamajiem zinātniskiem datiem.

Sagatavošana lietošanai

Šļūtene

- 1 Lai pievienotu šļūteni, cieši iespiediet to ierīcē (atskan klikšķis) (Zīm. 2).
- 2 Lai atvienotu šļūteni, piespiediet atbrīvošanas pogu un izvelciet šļūteni no ierīces (Zīm. 3).

Teleskopiskā caurule

- 1 Lai pievienotu cauruli šļūtenes rokturim, piespiediet roktura atsperes noslēgšanas pogu uz roktura, un iebīdīet rokturi caurulē. Ievietojiet atsperes noslēgšanas pogu caurules atverē (atskan klikšķis) (Zīm. 4).
- 2 Lai atvienotu cauruli no roktura, piespiediet automātisko atsperes slēdzi un izvelciet rokturi no caurules.

Piestipriniet un noņemiet uzgaļus tādā pašā veidā.

- 3 Strādāt ar putekļu sūcēju būs daudz ērtāk, ja lietosiet teleskopisko cauruli ar maināmu garumu (Zīm. 5).

Tri-Active uzgalis

Tri-Active uzgalis ir paredzēts gan paklāju, gan cietu grīdas segumu tīrīšanai.

- Sānu sukuks uztver vairāk putekļu un netīrumu uzgaļa malās un atvieglo tīrīšanu gar mēbelēm un citiem priekšmetiem (Zīm. 6).
- Atvere uzgaļa priekšpusē ļauj uzsūkt lielākas daļiņas (Zīm. 7).

- 1 Lai tīrītu cietās grīdas, ar kāju nospiediet slēdzi uzgaļa virspusē (Zīm. 8).
 - ▶ No apvalka iznāk arī sukuks josla cieto grīdu tīrīšanai. Tajā pat laikā tiek pacelts ritentiņš, lai pasargātu no skrāpēšanas un palielinātu manevrēšanas spēju.
- 2 Lai tīrītu paklājus, nospiediet vēlreiz slēdzi (Zīm. 9).
 - ▶ Sukas josla pazūd uzgaļa apvalkā un ritentiņš automātiski tiek nolaists.

Šaurais uzgalis, mazais uzgalis un mazā suka

- 1 Piestipriniet šaurās vietās ievietojamo uzgali (1), mazo uzgali (tikai atsevišķiem modeļiem) (2) vai mazo suku (3) tieši rokturim vai caurulei (Zīm. 10).

Piederumu turētājs

- 1 Nospiediet piederuma turētāju uz roktura (Zīm. 11).
- 2 Nospiediet abus piederumus piederuma turētājā:
 - Šaurais un mazais uzgalis (Zīm. 12).

Piezīme: Pārliecinieties, ka mazā uzgaļa sūkšanas atvērums ir pavērsts prom no turētāja.

- Šaurais uzgalis un mazā suka (Zīm. 13).

Piezīme: Pārliecinieties, ka mazās sukuks sūkšanas atvērums ir pavērsts pret turētāju.

Ierīces lietošana

- 1 Izvelciet elektrības vadu no ierīces un iespraudiet elektrības vada kontaktdakšu elektrotīkla kontaktlīdždā.
- 2 Nospiediet ieslēgšanas/izslēgšanas slēdzi ierīces virspusē, lai ieslēgtu ierīci (Zīm. 14).
- 3 Sūcot putekļus, sūkšanas jaudu iespējams noregulēt ar pārslēgu ierīces augšpusē (Zīm. 15).
 - Lai tīrītu īpaši netīrus paklājus un cietās grīdas, izmantojiet maksimālo sūkšanas jaudu.
 - Lai tīrītu aizkarus, galdautus u. tml. Izmantojiet minimālo sūkšanas jaudu.
- 4 Ja vēlaties uz brīdi pārtraukt darbu, ievietojiet izvīzījumu uz uzgaļa novietošanas vietā, lai novietotu cauruli ērtā pozīcijā (Zīm. 16).

Uzglabāšana

- 1 Izslēdziet ierīci un izvelciet elektrības vada kontaktdakšu no sienas kontaktlīdždas.
- 2 Nospiediet vada saritināšanas pogu, lai saritinātu elektrības vadu (Zīm. 17).
- 3 Lai piestiprinātu uzgali ierīcei, ievietojiet izvīzījumu uz uzgaļa novietošanas vietā. Uzglabājiet ierīci horizontālā pozīcijā, visiem ierīces riteņiem atrodoties uz grīdas (Zīm. 16).
- 4 Novietojot putekļu sūcēju glabāšanā, vienmēr noregulējiet Tri-Active uzgali paklāju tīrīšanas stāvoklī. Uzmanieties arī, lai sānu sukas netiktu saliektas (Zīm. 9).

Putekļu tvertnes iztukšošana

Vienmēr izslēdziet ierīci, pirms jūs iztukšojat putekļu tvertni.

Putekļu tvertne nav piemērota trauku mazgājamai mašīnai.

- Iztukšojiet putekļu tvertni tiklīdz putekļu līmenis ir sasniedzis apaļo filtra cilindra ietvara disku (Zīm. 18).

- 1 Izslēdziet ierīci un noņemiet šļūteni.
- 2 Nospiediet atvienošanas pogu putekļu tvertnes roktura augšpusē, lai atslēgtu vāku (1). Atveriet vāku (2). (Zīm. 19)
- 3 Izņemiet putekļu tvertni no ierīces (Zīm. 20).
- 4 Turiet putekļu tvertni virs atkritumu spaiņa un izceliet filtra cilindra ietvaru no tvertnes. Iztukšojiet tvertni (Zīm. 21).
- 5 Ja vēlaties, varat izmazgāt putekļu tvertni ar aukstu krāna ūdeni, kam pievienots mazgāšanas līdzeklis.
- 6 Ielieciet filtra cilindra ietvaru atpakaļ putekļu tvertnē un ievietojiet tvertni atpakaļ ierīcē.
- 7 Cieši aiztaisiet vāku (atskan klikšķis).

Vienmēr ielieciet filtra cilindra ietvaru atpakaļ putekļu tvertnē, citādi ierīci nevarēs ieslēgt.

Filtru tīrīšana un apkope

Vienmēr atvienojiet iekārtu no elektrotīkla, pirms maināt vai tīrīt filtrus.

Filtra cilindru un filtra cilindra ietvaru nedrīkst mazgāt trauku mazgājamā mašīnā.

Filtra cilindrs

Tīriet filtra cilindru ik pēc 2 mēnešiem.

- 1 Izslēdziet ierīci un noņemiet šļūteni.
- 2 Nospiediet atvienošanas pogu putekļu tvertnes roktura augšpusē, lai atslēgtu vāku (1). Atveriet vāku (2) (Zīm. 19).
- 3 Izņemiet putekļu tvertni no ierīces (Zīm. 20).
- 4 Izceliet filtra cilindra ietvaru no tvertnes (Zīm. 21).
- 5 Pagrieziet rokturi filtra cilindra ietvara virspusē pretēji pulksteņa rādītāju kustības virzienam (1) un izceliet filtra cilindru no ietvara (2). (Zīm. 22)
- 6 Izīriiet filtra cilindru un ietvaru ar komplektā esošo suku. Tīriet filtru virzienā no filtra augšpusē uz leju gar filtra rieviņām (Zīm. 23).

Izmantojiet tikai komplektā esošo suku. Citas suku var bojāt filtra cilindru.

- 7 Ja ietvara iekšpusē atrodas netīrumi, iztukšojiet to virs atkritumu kastes.
- 8 Ja vēlaties, varat izmazgāt filtra cilindra korpusu ar aukstu krāna ūdeni, kam pievienots mazgāšanas līdzeklis.
- 9 Ja vēlaties izmazgāt filtra cilindru, mazgājiet to rūpīgi tikai ar ūdeni. Nelietojiet ziepes, mazgāšanas līdzekļus vai citus tīrāmos līdzekļus, lai tīrītu filtru. Ļaujiet filtra cilindra pilnībā nožūt pirms ievietojiet to atpakaļ korpusā (Zīm. 24).
- 10 Ielieciet filtra cilindru atpakaļ ietvarā, un pagrieziet rokturi pulksteņa rādītāja virzienā, līdz filtra cilindrs ievietosies savā vietā.

Pārlicinieties, ka filtra cilindrs ir cieši nostiprināts ietvarā.

- 11 Ielieciet ietvaru ar filtra cilindru atpakaļ putekļu tvertnē.

Motora aizsardzības filtrs

Iztīriet pastāvīgo motora aizsargfiltru ikreiz, kad tīrāt filtra cilindra korpusu.

- 1 Izņemiet motora aizsargfiltru no ierīces. Izīriiet to pasitot putekļus virs atkritumu spaiņa (Zīm. 25).

Ja motora aizsargfiltrs ir ļoti netīrs, to var izskalot aukstā krāna ūdenī.

Nelietojiet mazgājamus līdzekļus vai kādus citus tīrāmos līdzekļus, lai iztīrītu motora aizsardzības filtru.

- 2 Iespiediet iztīrīto filtru cieši atpakaļ filtra nodalījumā, un pārbaudiet, vai tas ir pareizi ielikts.

Super Clean Air filtrs, Super Clean Air HEPA 12 filtrs vai Ultra Clean Air HEPA 13 filtrs

Šī ierīce ir aprīkota ar Super Clean Air filtru, Super Clean Air HEPA 12 filtru vai ar Ultra Clean Air HEPA 13 filtru. Šie filtri atrodas ierīces aizmugurē.

Piezīme: Lai nodrošinātu optimālu putekļu aizturi un putekļu sūcēja darbību, vienmēr nomainiet filtru ar pareiza tipa oriģinālu Philips filtru (skatīt nodaļu 'Piederumu pasūtīšana').

Super Clean Air filtrs

Super Clean Air filtrs no izplūstošā gaisa izfiltrē vairumu sīko daļiņu, izmantojot elektrostātiski uzlādētas šķiedras.

Nomainiet Super Clean Air filtru reizi sešos mēnešos. Šis filtrs nav mazgājams.

- 1 Noņemiet filtra režģi (Zīm. 26).
- 2 Izņemiet veco filtru (Zīm. 27).
- 3 Ielieciet ierīcē jauno filtru.

- 4** Aiztaisiet filtra režģa vāku un iespiediet apakšējos stūrus atpakaļ savā vietā (atskan klikšķis) (Zīm. 28).

Super Clean Air HEPA 12 filtrs

Super Clean Air HEPA 12 filtrs spēj no izplūstošā gaisa attīrīt 99,5% visu daļiņu, kas nav mazākas par 0,0003 mm. Tie ir ne tikai parasti mājas putekļi, bet arī kaitīgi mikroskopiski parazīti, piemēram, mājas putekļu ērcītes un to izkārnījumi, kas bieži vien var izraisīt elpceļu alerģijas.

Nomainiet Super Clean Air HEPA 12 filtru reizi sešos mēnešos. Šis filtrs nav mazgājams.

Lai nomainītu Super Clean Air HEPA 12 filtru, sekojiet soļiem 1-4 augstāk norādītajā nodaļā 'Super Clean Air filtrs'.

Mazgājams Ultra Clean Air HEPA 13 filtrs

Ultra Clean Air HEPA 13 filtrs spēj no izplūstošā gaisa attīrīt 99,95% visu daļiņu, kas nav mazākas par 0,0003 mm. Tie ir ne tikai parasti mājas putekļi, bet arī kaitīgi mikroskopiski parazīti, piemēram, mājas putekļu ērcītes un to izkārnījumi, kas bieži vien var izraisīt elpceļu alerģijas.

Tīriet mazgājamo Super Clean Air HEPA 13 filtru reizi 6 mēnešos. Jūs varat tīrīt mazgājamo Super Clean Air HEPA 13 filtru maksimums 4 reizes. Nomainiet filtru pēc tam, kad tas ir ticis mazgāts 4 reizes.

- 1** Noņemiet filtra režģi (Zīm. 29).

- 2** Izņemiet mazgājamo HEPA 13 filtru (Zīm. 30).

- 3** Izskalojiet HEPA 13 filtra plīvēto pusi zem karsta lēni tekoša krāna ūdens.

- Turiet filtru tā, lai plīvētā puse ir uz augšu un ūdens plūst paralēli filtra ielocēm. Turiet filtru tādā leņķī, lai ūdens aizskalo ielocēs esošos netīrumus (Zīm. 31).
- Pagrieziet filtru par 180° un ļaujiet ūdenim plūst gar ielocēm pretējā virzienā (Zīm. 32).
- Turpiniet šo procesu, kamēr filtrs ir tīrs.

Nekad netīriet mazgājamo filtru ar birsti (Zīm. 33).

Piezīme: Tīrīšana neatjauno filtra oriģinālo krāsu, bet tā atjauno filtrācijas jaudu.

- 4** Rūpīgi nopuriniet ūdeni no filtra virsmas. Ļaujiet filtram žūt vismaz 2 stundas pirms ievietošanas atpakaļ putekļusūcējā.
- 5** Ievietojiet filtru atpakaļ iekārtā. Aizveriet filtra restītes un nospiediet pogas stūrus (atskan klikšķis) (Zīm. 34).

Piederumu nomaiņa

Ja rodas problēmas iegādāties filtrus vai citus piederumus šai ierīcei, sazinieties ar Philips Pakalpojumu centru savā valstī vai meklējiet tā tālruņa numuru pasaules garantijas bukletā.

- Philips filtra cilindra detaļas numurs ir 4322 005 17520.
- Super Clean Air filtra modeļa numurs ir FC8030.
- Nemazgājamie Super Clean Air HEPA 12 filtri ir pieejami zem modeļa numura FC8031.
- Mazgājamie Ultra Clean Air HEPA 13 filtri ir pieejami zem modeļa numura FC8038.

Vides aizsardzība

- Pēc ierīces kalpošanas laika beigām, neizmetiet to kopā ar sadzīves atkritumiem, bet nododiet to oficiālā savākšanas punktā pārstrādei. Tādā veidā jūs palīdzēsiet saudzēt apkārtējo vidi (Zīm. 35).

Garantija un apkalpošana

Ja nepieciešama palīdzība vai informācija, lūdzu, izmantojiet Philips tīmekļa vietni www.philips.com vai sazinieties ar savas valsts Philips Pakalpojumu centru (tā tālruņa numurs atrodams pasaules garantijas brošūrā). Ja jūsu valstī nav Philips Pakalpojumu centra, lūdziet palīdzību Philips preču tirgotājiem vai Philips Sadzīves un personīgās higiēnas ierīču nodaļas pakalpojumu dienestam.

Kļūmju novēršana

Šajā nodaļā ir apkopotas visizplatītākās problēmas, ar kurām varat sastapties, izmantojot ierīci. Ja nevarat tās atrisināt, izmantojot turpmāk redzamo informāciju, sazinieties ar savas valsts Klientu apkalpošanas centru.

1 Sūkšanas jauda nav pietiekama.

- Pārbaudiet, vai sūkšanas jaudas slēdzis ir noregulēts maksimālajā stāvoklī.
- Pārbaudiet, vai filtra cilindrs nav piepildīts ar netīrumiem.

Ja nepieciešams, iztīriet filtra cilindru.

- Pārbaudiet, vai citi filtri nav jātīra vai jāmaina.
- Pārbaudiet, vai bloķēšanas indikators ir mainījis krāsu. Ja jā, iespējams uzgalis, caurule vai šļūtene ir nosprostota. (Zīm. 36)

Lai iztīrītu aizsprostojumu, atvienojiet nosprostoto detaļu un (ja iespējams) pievienojiet to otrādi. Ieslēdziet putekļu sūcēju, lai gaisa plūsma izsūktu aizsprostojumu radījušos materiālus pretējā virzienā.

2 Ierīci nevar ieslēgt.

- Pārbaudiet, vai putekļu tvertnē ir ievietots filtra cilindra ietvars ar filtra cilindru.

Opis ogólny (rys. 1)

- A** Przykrywka
- B** Wylłącznik
- C** Pokrętko mocy ssania
- D** Szczoteczka do czyszczenia
- E** Filtr ochronny silnika
- F** Pojemnik na kurz
- G** Przycisk zwalniający pojemnik na kurz
- H** Obudowa filtra cylindrycznego
- I** Filtr cylindryczny
- J** Złączka węża
- K** Uchwyt
- L** Uchwyt na akcesoria
- M** Rura teleskopowa
- N** Nasadka Tri-Active
- O** Szczelinówka
- P** Nasadka mała (tylko wybrane modele)
- Q** Szczotka mała
- R** Filtr Super Clean Air, filtr Super Clean Air HEPA 12 lub filtr Ultra Clean Air HEPA 13
- S** Kratka filtra
- T** Szczelina do mocowania rury
- U** Przycisk zwijania przewodu sieciowego

Ważne

Przed pierwszym użyciem urządzenia zapoznaj się dokładnie z jego instrukcją obsługi i zachowaj ją na wypadek konieczności użycia w przyszłości.

Niebezpieczeństwo

- Nie wolno używać urządzenia do zasysania wody ani innych płynów. Nie wolno też zasysać gorącego popiołu.

Ostrzeżenie

- Przed podłączeniem urządzenia upewnij się, czy napięcie podane na urządzeniu jest zgodne z napięciem w sieci elektrycznej.
- Nie używaj urządzenia, jeśli uszkodzona jest wtyczka, przewód sieciowy lub samo urządzenie.
- Ze względów bezpieczeństwa wymianę uszkodzonego przewodu sieciowego należy zlecić autoryzowanemu centrum serwisowemu firmy Philips lub odpowiednio wykwalifikowanej osobie.
- Urządzenie nie jest przeznaczone do użytku przez osoby (w tym dzieci) z ograniczonymi zdolnościami fizycznymi, sensorycznymi lub umysłowymi, a także nieposiadające wiedzy lub doświadczenia w użytkowaniu tego typu urządzeń, chyba że będą one nadzorowane lub zostaną poinstruowane na temat korzystania z tego urządzenia przez opiekuna.
- Nie pozwalaj dzieciom bawić się urządzeniem.
- Nie należy kierować węża, rury ani żadnego z pozostałych akcesoriów w stronę oczu lub uszu, ani też wkładać ich do ust, jeśli podłączone są do włączonego odkurzacza.

Uwaga

- Zasysanie dużych przedmiotów może spowodować zatkanie rury lub węża.
- Kiedy używasz urządzenia do odkurzania popiołu, drobnego piasku, wapna, cementu i podobnych substancji, pory filtra cylindrycznego mogą zostać zatkane. Gdy zauważysz znaczny spadek mocy ssania, przeczyść filtr cylindryczny.

62 POLSKI

- Zasysanie dużych przedmiotów może spowodować zatkanie rury lub węża. W takim przypadku wskaźnik blokady zmieni kolor na czerwony, co oznacza, że należy usunąć przedmiot będący przyczyną zatkania.
- Nigdy nie włączaj urządzenia bez filtra ochronnego silnika. Brak tego filtra może spowodować uszkodzenie silnika i skrócić okres eksploatacji urządzenia.
- Należy używać tylko filtra cylindrycznego firmy Philips dołączonego do urządzenia.
- Poziom hałas: $L_c = 76 \text{ dB (A)}$

Pola elektromagnetyczne (EMF)

Niniejsze urządzenie firmy Philips spełnia wszystkie normy dotyczące pól elektromagnetycznych. W przypadku prawidłowej obsługi zgodnie z zaleceniami zawartymi w instrukcji urządzenie jest bezpieczne w użytkowaniu, co potwierdzają badania naukowe dostępne na dzień dzisiejszy.

Przygotowanie do użycia

Wąż

- 1 Aby podłączyć wąż, wciśnij go mocno do urządzenia (usłyszysz „kliknięcie”) (rys. 2).
- 2 Aby odłączyć wąż, naciśnij przycisk zwalniający i wyciągnij wąż z urządzenia (rys. 3).

Rura teleskopowa

- 1 Aby połączyć rurę z uchwytem węża, naciśnij sprężynowy przycisk blokujący na uchwycie i wsuń uchwyt w rurę. Wsuń sprężynowy przycisk blokujący do otworu w rurze (usłyszysz „kliknięcie”) (rys. 4).
- 2 Aby odłączyć rurę od uchwytu, naciśnij sprężynowy przycisk blokujący i wyciągnij uchwyt z rury.

Ta sama metoda ma zastosowanie w przypadku łączenia i rozłączania nasadek.

- 3 Ustaw najwygodniejszą do odkurzania długość rury (rys. 5).

Nasadka Tri-Active

Nasadka Tri-Active jest nasadką wielofunkcyjną służącą do odkurzania dywanów i twardych podłóg.

- Szczotki boczne przechwytyją więcej kurzu i brudu po bokach nasadki i pozwalają lepiej odkurzać miejsca wzdłuż mebli oraz innych przeszkód (rys. 6).
- Otwór z przodu nasadki pozwala zasysać większe cząsteczki brudu (rys. 7).

- 1 Aby czyścić twarde powierzchnie, wciśnij nogą przełącznik znajdujący się na górze nasadki (rys. 8).
 - ▶ Pasek szczotki do czyszczenia twardych powierzchni wysunie się z obudowy. Kółko zostanie uniesione, co ma zapobiec rysowaniu podłogi, a także zwiększyć swobodę manewrowania.
- 2 Aby odkurzać dywany, wciśnij ponownie przełącznik nasadki (rys. 9).
 - ▶ Pasek szczotki zostanie schowany w obudowie, a kółko obniży się automatycznie.

Szczelinówka, mała nasadka i mała szczotka

- 1 Podłącz szczelinówkę (1), małą nasadkę (tylko wybrane modele) (2) lub małą szczotkę (3) bezpośrednio do uchwytu lub do rury (rys. 10).

Uchwyt na akcesoria

- 1 Załóż uchwyt na akcesoria na uchwyt rury (rys. 11).
- 2 Załóż dwa akcesoria na uchwyt na akcesoria:
 - Szczelinówka i mała nasadka (rys. 12).

Uwaga: Upewnij się, że otwór ssący małej nasadki nie jest skierowany na uchwyt.

- Szczelinówka i mała szczotka (rys. 13).

Uwaga: Upewnij się, że otwór ssący małej szczotki jest skierowany na uchwyt.

Zasady używania

- 1 Wyciągnij przewód sieciowy z odkurzacza i włóż wtyczkę do gniazdka elektrycznego.
- 2 Naciśnij wyłącznik znajdujący się na górnej części urządzenia, aby wyłączyć urządzenie (rys. 14).
- 3 Podczas odkurzania można regulować moc ssania za pomocą pokrętki na górnej części urządzenia (rys. 15).
 - Ustaw maksymalną moc ssania do odkurzania bardzo brudnych dywanów i podłóg twardych.
 - Ustaw minimalną moc ssania do odkurzania zasłon, obrusów itp.
- 4 W przypadku przerwy w odkurzaniu rurę można ustawić w wygodnym położeniu, wsuwając krawędź mocującą na nasadce w szczelinę mocującą (rys. 16).

Przechowywanie

- 1 Wyłącz urządzenie i wyjmij jego wtyczkę z gniazdka elektrycznego.
- 2 Naciśnij przycisk zwijania przewodu sieciowego, aby zwinąć przewód sieciowy (rys. 17).
- 3 Przymocuj nasadkę do urządzenia, wsuwając jej krawędź mocującą do szczeliny mocującej. Przechowuj urządzenie w położeniu poziomym, tak aby wszystkie kółka dotykały podłogi (rys. 16).
- 4 Podczas przechowywania zawsze ustawiaj nasadkę Tri-Active w położeniu do odkurzania dywanów. Chroń także szczotki boczne przed zagięciem (rys. 9).

Opróżnianie pojemnika na kurz

Przed opróżnieniem pojemnika na kurz należy zawsze odłączyć urządzenie od gniazdka elektrycznego.

Pojemnik na kurz nie jest przystosowany do mycia w zmywarce do naczyń.

- Opróżnij pojemnik na kurz, gdy poziom kurzu sięgnie tarczy obudowy filtra cylindrycznego (rys. 18).
- 1 Wyłącz urządzenie i odłącz wąż.
 - 2 Naciśnij przycisk zwalnający znajdujący się w górnej części uchwytu pojemnika na kurz, aby odblokować pokrywę (1). Otwórz pokrywę (2). (rys. 19)
 - 3 Wyjmij pojemnik na kurz z urządzenia (rys. 20).
 - 4 Trzymając pojemnik na kurz nad koszem na śmieci, wyjmij z niego obudowę filtra cylindrycznego. Opróżnij pojemnik (rys. 21).
 - 5 Pojemnik na kurz można również umyć zimną wodą z kranu z dodatkiem niewielkiej ilości płynu do mycia naczyń.
 - 6 Włóż z powrotem obudowę filtra cylindrycznego do pojemnika na kurz i umieść pojemnik wewnątrz urządzenia.
 - 7 Zamknij i dociśnij obudowę (usłyszysz „kliknięcie”).

Zawsze wkładaj obudowę filtra cylindrycznego z powrotem do pojemnika; w przeciwnym razie włączenie urządzenia będzie nie możliwe.

Czyszczenie i konserwacja filtrów

Przed czyszczeniem lub wymianą filtrów należy zawsze wyjąć wtyczkę urządzenia z gniazdka elektrycznego.

Filtr cylindryczny i jego obudowa nie nadają się do mycia w zmywarce.

Filtr cylindryczny

Filtr cylindryczny oczyszczaj co 2 miesiące.

- 1** Wyłącz urządzenie i odłącz wąż.
- 2** Naciśnij przycisk zwalniający znajdujący się w górnej części uchwytu pojemnika na kurz, aby odblokować pokrywę (1). Otwórz pokrywę (2) (rys. 19).
- 3** Wyjmij pojemnik na kurz z urządzenia (rys. 20).
- 4** Wyjmij obudowę filtra cylindrycznego z pojemnika na kurz (rys. 21).
- 5** Przekręć w lewo uchwyt znajdujący się na górze obudowy filtra cylindrycznego (1) i wyjmij filtr cylindryczny z obudowy (2). (rys. 22)
- 6** Wyczyść filtr cylindryczny i jego obudowę za pomocą dołączonej do zestawu szczoteczki. Przesuwaj szczoteczki w kierunku od góry filtra w dół, wzdłuż żeberka (rys. 23).

Korzystaj wyłącznie ze szczoteczki dołączonej do zestawu. Używanie innych szczoteczek może spowodować uszkodzenie filtra cylindrycznego.

- 7** Jeśli wnętrze obudowy jest brudne, wyczyść je nad koszem na śmieci.
- 8** Obudowę filtra cylindrycznego można również umyć zimną wodą z kranu z dodatkiem niewielkiej ilości płynu do mycia naczyń.
- 9** Filtr cylindryczny można myć samą wodą. Nie należy używać mydła, płynu do mycia naczyń lub innych detergentów. Przed ponownym umieszczeniem w obudowie należy pozostawić filtr do całkowitego wyschnięcia (rys. 24).
- 10** Włóż filtr cylindryczny z powrotem do obudowy i przekręć uchwyt w prawo, tak aby zablokować filtr w odpowiedniej pozycji.
Upewnij się, że filtr cylindryczny jest pewnie zamocowany w obudowie.

- 11** Umieść obudowę z filtrem cylindrycznym z powrotem w pojemniku na kurz.

Filtr ochronny silnika

Stały filtr ochronny silnika należy czyścić przy każdym czyszczeniu obudowy filtra cylindrycznego.

- 1** Wyjmij z urządzenia filtr ochronny silnika i wyczyść go, wytrzepując kurz nad koszem na śmieci (rys. 25).

Jeśli filtr ochronny silnika jest bardzo zabrudzony, można opłukać go zimną wodą z kranu.

Do czyszczenia filtra ochronnego silnika nie wolno używać płynu do mycia naczyń ani innych środków myjących.

- 2** Wciśnij mocno czysty filtr w obudowę i sprawdź, czy jest prawidłowo umieszczony.

Filtr Super Clean Air, filtr Super Clean Air HEPA 12 lub filtr Ultra Clean Air HEPA 13

To urządzenie jest wyposażone w filtr Super Clean Air, Super Clean Air HEPA 12 lub Ultra Clean Air HEPA 13. Filtry te znajdują się w tylnej części urządzenia.

Uwaga: Aby zapewnić optymalne wyłapywanie kurzu i działanie odkurzacza, zawsze wymieniaj filtr na oryginalny filtr Philips odpowiedniego rodzaju (patrz rozdział „Zamawianie akcesoriów”).

Filtr Super Clean Air

Filtry Super Clean Air odfiltrują większość drobniejszych cząstek brudu z wydmuchiwanego powietrza za pomocą naładowanych elektrostatycznie włókien.

Filtr Super Clean Air należy wymieniać co 6 miesięcy. Tego filtra nie można myć w wodzie.

- 1** Wyjmij kratkę filtra (rys. 26).
- 2** Wyjmij stary filtr (rys. 27).
- 3** Włóż do urządzenia nowy filtr.
- 4** Załóż ponownie górną część kratki filtra i przyciśnij rogi dolnej części, aż zatrzasną się na swoich miejscach (usłyszysz „kliknięcie”) (rys. 28).

Filtr Super Clean Air HEPA 12

Filtr Super Clean Air HEPA 12 usuwa z wydmuchiwanego powietrza 99,5% zanieczyszczeń o wielkości cząsteczek nawet 0,0003 mm. Cząsteczki takiej wielkości obejmują nie tylko normalny kurz powstający w warunkach domowych, ale również mikroskopijne organizmy, np. roztocza i ich odchody, będące dobrze znanymi czynnikami wywołującymi alergię układu oddechowego.

Filtr Super Clean Air HEPA 12 należy wymieniać co 6 miesięcy. Tego filtra nie można myć w wodzie. Aby wymienić filtr Super Clean Air HEPA 12, wykonaj czynności 1–4 zamieszczone w części „Filtr Super Clean Air”.

Zmywalny filtr Ultra Clean Air HEPA 13

Filtr Ultra Clean Air HEPA 13 usuwa z wydmuchiwanego powietrza 99,95% zanieczyszczeń o wielkości cząsteczek nawet 0,0003 mm. Cząsteczki takiej wielkości obejmują nie tylko normalny kurz powstający w warunkach domowych, ale również mikroskopijne organizmy, np. roztocza i ich odchody, będące dobrze znanymi czynnikami wywołującymi alergię układu oddechowego. Zmywalny filtr Ultra Clean Air HEPA 13 należy czyścić co 6 miesięcy. Filtr można czyścić maksymalnie cztery razy. Później należy go wymienić.

- 1** Wyjmij kratkę filtra (rys. 29).
- 2** Wyjmij zmywalny filtr HEPA 13 (rys. 30).
- 3** Opłucz pofałdowaną stronę filtra HEPA 13 pod gorącą, bieżącą wodą.
 - Trzymaj filtr pofałdowaną stroną skierowaną w górę w taki sposób, aby woda spływała wzdłuż pofałdowań. Trzymaj filtr pod takim kątem, aby wymyć brud zalegający wewnątrz pofałdowań (rys. 31).
 - Obróć filtr o 180° w taki sposób, aby woda spływała wzdłuż pofałdowań w przeciwnym kierunku (rys. 32).
 - Kontynuuj tę czynność aż do wyczyszczenia filtra.

Nigdy nie czyść zmywalnego filtra za pomocą szczoteczki (rys. 33).

Uwaga: Czyszczenie nie przywraca oryginalnego koloru filtra, ale sprawia, że filtr odzyskuje moc filtrowania.

- 4** Ostrożnie wytrząśnij wodę z powierzchni filtra. Pozostaw filtr do wyschnięcia na co najmniej 2 godziny przed ponownym umieszczeniem go w odkurzaczu.
- 5** Włóż filtr z powrotem do urządzenia. Załóż z powrotem kratkę filtra i przyciśnij jej dolne narożniki, aż zatrzasną się na swoich miejscach (usłyszysz „kliknięcie”) (rys. 34).

Zamawianie akcesoriów

W przypadku trudności z kupieniem filtrów lub innych akcesoriów do urządzenia należy skontaktować się z Centrum Obsługi Klienta firmy Philips lub poszukać informacji w ulotce gwarancyjnej.

- Filtry cylindryczne marki Philips mają numer serwisowy 4322 005 17520.

66 POLSKI

- Filtry Super Clean Air; dostępne pod numerem produktu FC8030.
- Niezmywalne filtry Super Clean Air HEPA 12; dostępne pod numerem produktu FC8031.
- Zmywalne filtry Ultra Clean Air HEPA 13; dostępne pod numerem produktu FC8038.

Ochrona środowiska

- Zużytego urządzenia nie należy wyrzucać wraz z normalnymi odpadami gospodarstwa domowego — należy oddać je do punktu zbiórki surowców wtórnych w celu utylizacji. Stosowanie się do tego zalecenia pomaga w ochronie środowiska (rys. 35).

Gwarancja i serwis

W razie jakichkolwiek pytań lub problemów prosimy odwiedzić naszą stronę internetową www.philips.com lub skontaktować się z Centrum Obsługi Klienta firmy Philips (numer telefonu znajduje się w ulotce gwarancyjnej). Jeśli w kraju zamieszkania nie ma takiego Centrum, o pomoc należy zwrócić się do sprzedawcy produktów firmy Philips lub do Działu Obsługi Klienta firmy Philips Domestic Appliances and Personal Care BV.

Rozwiązywanie problemów

Ten rozdział opisuje najczęstsze problemy, z którymi można się zetknąć, korzystając z urządzenia. Jeśli poniższe wskazówki okażą się niewystarczające do rozwiązania problemu, należy skontaktować się z Centrum Obsługi Klienta.

1 Moc ssania jest niewystarczająca.

- Sprawdź, czy pokrętko mocy ssania ustawione jest w pozycji maksymalnej.
- Sprawdź, czy filtr cylindryczny nie jest zapełniony.

W razie potrzeby dokładnie wyczyść filtr:

- Sprawdź, czy nie zachodzi potrzeba wyczyszczenia lub wymiany pozostałych filtrów.
- Sprawdź, czy wskaźnik blokady zmienił kolor. Jeśli tak, nasadka, rura lub wąż mogą być zatkane. (rys. 36)

Aby usunąć zator, odłącz zapchany element i (jeśli to możliwe) podłącz go odwrotną stroną. Włącz odkurzacz w celu wydmuchania zatykającego przedmiotu.

2 Nie można włączyć urządzenia.

- Sprawdź, czy obudowa z filtrem cylindrycznym została włożona do pojemnika na kurz.

Descriere generală (fig. 1)

- A** Capac
- B** Butonul Pornit/Oprit
- C** Butonul pentru controlul forței de aspirare
- D** Perie de curățat
- E** Filtrul de protecție a motorului
- F** Compartimentul pentru praf
- G** Buton de eliberare a compartimentului pentru praf
- H** Carcasa filtrului cilindric
- I** Filtrul cilindric
- J** Conectorul pentru furtun
- K** Mâner
- L** Suport pentru accesoriu
- M** Tub telescopic
- N** Cap de aspirare Tri-Active
- O** Accesoriu pentru spații înguste
- P** Accesoriul mic (doar anumite modele)
- Q** Peria mică
- R** Filtru Super Clean Air; filtru Super Clean Air HEPA 12 sau filtru Ultra Clean Air HEPA 13
- S** Grila de filtrare
- T** Elementul de cuplare pentru depozitare
- U** Butonul pentru rularea cablului

Important

Citiți cu atenție acest manual de utilizare și păstrați-l pentru consultare ulterioară.

Pericol

- Nu utilizați aparatul pentru a aspira apă sau alte lichide. Nu aspirați niciodată substanțe inflamabile sau scrum, înainte ca acestea să se fi răcit.

Avertisment

- Înainte de a conecta aparatul, verificați dacă tensiunea indicată pe aparat corespunde tensiunii de alimentare locale.
- Nu folosiți aparatul dacă ștecherul, cablul de alimentare sau aparatul însuși este deteriorat.
- În cazul în care cablul de alimentare este deteriorat, acesta trebuie înlocuit întotdeauna de Philips, de un centru de service autorizat de Philips sau de personal calificat în domeniu pentru a evita orice accident.
- Acest aparat nu trebuie utilizat de către persoane (inclusiv copii) care au capacități fizice, mentale sau senzoriale reduse sau sunt lipsite de experiență și cunoștințe, cu excepția cazului în care sunt supravegheați sau instruiți cu privire la utilizarea aparatului de către o persoană responsabilă pentru siguranța lor.
- Copiii trebuie supravegheați pentru a nu se juca cu aparatul.
- Nu îndreptați furtunul, tija sau orice alt accesoriu către ochi sau urechi, și nu îl introduceți în gură când este conectat la aspirator și acesta este pornit.

Atenție

- Nu aspirați obiecte de dimensiuni mari, întrucât acestea pot bloca trecerea aerului prin tub sau furtunul poate fi înfundat.
- Atunci când utilizați aspiratorul pentru a aspira scrum, nisip fin, var nestins, praf de ciment și alte substanțe similare, porii filtrului cilindric se înfundă. În cazul în care observați o scădere considerabilă a puterii de aspirare, curățați filtrul cilindric.
- Aspirarea unor obiecte prea mari poate duce la blocarea trecerii aerului prin tub sau furtun. În acest caz, indicatorul de blocare se va înroși pentru a indica necesitatea îndepărtării unui blocaj.

- Nu folosiți niciodată aparatul fără filtrul de protecție pentru motor. Aceasta poate duce la deteriorarea motorului și poate scurta durata de funcționare a aparatului.
- Utilizați numai filtrul cilindric Philips livrat cu aparatul.
- Nivel de zgomot: $L_c = 76 \text{ dB (A)}$.

Câmpuri electromagnetice (EMF)

Acest aparat Philips respectă toate standardele referitoare la câmpuri electromagnetice (EMF). Dacă este manevrat corespunzător și în conformitate cu instrucțiunile din acest manual, aparatul este sigur conform dovezilor științifice disponibile în prezent.

Pregătirea pentru utilizare

Furtun

- 1 Pentru a conecta furtunul, apăsați-l ferm în aparat ('clic') (fig. 2).
- 2 Pentru a deconecta furtunul, apăsați butonul de decuplare și trageți furtunul din aparat (fig. 3).

Tub telescopic

- 1 Pentru a conecta tubul pe mânerul furtunului, apăsați butonul cu închidere prin resort de pe mâner și introduceți mânerul în tub. Fixați butonul cu închidere prin resort în orificiul din tub ('clic') (fig. 4).
- 2 Pentru a deconecta tubul de pe mâner, apăsați butonul cu resort și scoateți tubul. Folosiți aceeași metodă pentru a conecta celelalte accesorii sau perii.
- 3 Reglați tubul la lungimea cea mai confortabilă pentru aspirare (fig. 5).

Cap de aspirare Tri-Active

Accesorii Tri-Active este destinat mochetelor și suprafețelor dure.

- Perii laterali adună praful și murdăria din părțile laterale ale accesoriului, permițând o curățare eficientă de-a lungul mobilierului și a altor obstacole (fig. 6).
- Orificiul din partea frontală a accesoriului vă permite să aspirați particule mai mari (fig. 7).

- 1 Pentru a curăța podele dure, apăsați cu piciorul comutatorului de pe accesoriu (fig. 8).
 - ▶ Peria iese pentru curățarea podelelor dure iese din carcasă. În același timp, roțița se va ridica, pentru a preveni zgârierea și a crește manevrabilitatea.
- 2 Pentru a curăța covoare, apăsați din nou comutatorul (fig. 9).
 - ▶ Peria va fi retrasă în carcasa accesoriului și roțița va fi coborâtă automat.

Accesoriul pentru spații înguste, accesoriul mic și peria mică

- 1 Fixați accesoriul pentru spații înguste (1), accesoriul mic (2) (numai pentru anumite modele) sau peria mică (3) direct pe mâner sau pe tub (fig. 10).

Suport pentru accesoriu

- 1 Fixați suportul pentru accesorii pe mâner (fig. 11).
- 2 Fixați două accesorii pe suportul pentru accesorii:
 - Accesoriul pentru spații înguste și accesoriul mic (fig. 12).

Notă: Asigurați-vă că orificiul de aspirație de pe accesoriul mic nu este îndreptat spre suport.

- Accesoriul pentru spații înguste și peria mică (fig. 13).

Notă: Asigurați-vă că orificiul de aspirație de pe peria mică este îndreptat spre suport.

Utilizarea aparatului

- 1 Trageți cablul din aparat și introduceți ștecherul în priză.
- 2 Apăsăți butonul Pornit/Oprit din partea superioară a aparatului pentru a porni aparatul (fig. 14).
- 3 Puteți regla puterea de aspirare în timpul funcționării aparatului, cu ajutorul butonului de pe partea de sus a acestuia (fig. 15).
 - Folosiți puterea maximă de aspirare pentru covoare și podele foarte murdare.
 - Folosiți puterea minimă de aspirare pentru perdele, fețe de masă etc.
- 4 Dacă doriți să luați o pauză, introduceți pintelul de pe marginea capului de aspirare în slotul de fixare, pentru a fixa tubul într-o poziție convenabilă (fig. 16).

Depozitarea

- 1 Opriți aspiratorul și scoateți ștecherul din priză.
- 2 Apăsăți butonul de rulare a cablului pentru a rula cablul de alimentare (fig. 17).
- 3 Introduceți pintelul de pe marginea accesoriului în slotul de fixare pentru a atașa accesoriul de aparat. Depozitați aparatul în poziție orizontală astfel încât toate roțile să atingă podeaua (fig. 16).
- 4 Poziționați întotdeauna accesoriul Tri-Active pe poziția pentru mochete când îl depozitați. De asemenea, evitați îndoirea perilor de pe părți (fig. 9).

Golirea compartimentului pentru praf

Întotdeauna scoateți aparatul din priză înainte de a goli recipientul pentru praf.

Recipientul pentru praf nu poate fi spălat în mașina de spălat vase.

- Goliți compartimentul de praf atunci când nivelul prafului atinge discul roșu al carcasei filtrului cilindric (fig. 18).

- 1 Opriți aparatul și îndepărtați furtunul.
- 2 Apăsăți butonul din partea de sus a mânerului recipientului pentru praf pentru deblocarea capacului (1). Rabatați capacul pentru a-l deschide (2). (fig. 19)
- 3 Ridicați recipientul pentru praf și scoateți-l din aparat (fig. 20).
- 4 Țineți recipientul pentru praf deasupra unui coș de gunoi și ridicați din recipient carcasa filtrului cilindric. Goliți recipientul (fig. 21).
- 5 Dacă doriți, puteți spăla compartimentul pentru praf cu apă rece de la robinet și detergent de vase.
- 6 Reintroduceți carcasa filtrului cilindric în compartimentul pentru praf și compartimentul în aspirator.
- 7 Închideți capacul ferm ('clic').

Introduceți întotdeauna carcasa filtrului cilindric în compartiment, altfel nu puteți porni aparatul.

Curățarea și întreținerea filtrelor

Deconectați întotdeauna aparatul de la priză înainte de a curăța sau înlocui filtrele.

Filtrul cilindric și carcasa acestuia nu pot fi spălate în mașina de spălat vase.

Filtrul cilindric

Curățați filtrul cilindric o dată la 2 luni.

- 1** Opriti aparatul și îndepărtați furtunul.
- 2** Apăsati butonul din partea de sus a mânerului recipientului pentru praf pentru deblocarea capacului (1). Rabatați capacul pentru a-l deschide (2) (fig. 19).
- 3** Ridicați recipientul pentru praf și scoateți-l din aparat (fig. 20).
- 4** Scoateți carcasa filtrului cilindric din compartiment (fig. 21).
- 5** Răsuciți mânerul de deasupra carcasei în sens antiorar (1) și ridicați filtrul din carcasă (2). (fig. 22)
- 6** Curățați cilindrul și carcasa acestuia cu periuța furnizată. Periați filtrul de sus în jos, de-a lungul nervurilor (fig. 23).

Folosiți numai periuța furnizată. Alte periuțe pot deteriora cilindrul filtrului.

- 7** În cazul în care carcasa este murdară în interior, goliți-o în coș.
- 8** Dacă doriți, puteți spăla carcasa filtrului cilindric cu apă rece de la robinet și detergent de vase.
- 9** Dacă doriți să spălați cilindrul filtrului, folosiți numai apă. Nu folosiți săpun, detergent lichid sau alt tip de detergent pentru a curăța filtrul. Lăsați cilindrul filtrului să se usuce complet înainte de a-l reintroduce în carcasă (fig. 24).
- 10** Puneți filtrul cilindric înapoi în carcasă și răsuciți mânerul în sens orar până când se fixează în poziție.

Asigurați-vă că ați fixat corect filtrul în carcasă.

- 11** Introduceți carcasa cu filtrul cilindric înapoi în compartimentul pentru praf.

Filtrul de protecție a motorului

De fiecare dată când curățați carcasa filtrului cilindric, curățați și filtrul permanent de protecție a motorului.

- 1** Scoateți filtrul de protecție a motorului din aparat. Curățați-l, scuturând praful deasupra unui coș de gunoi (fig. 25).

Dacă filtrul de protecție a motorului este foarte murdar, îl puteți clăti cu apă rece de la robinet.

Nu folosiți detergent lichid sau alți agenți de curățare pentru a curăța filtrul de protecție a motorului.

- 2** Apăsati cu fermitate filtrul la loc pentru a vă asigura că se fixează corect.

Filtru Super Clean Air, filtru Super Clean Air HEPA 12 sau filtru Ultra Clean Air HEPA 13

Acest aparat este echipat cu filtrul Super Clean Air, filtrul Super Clean Air HEPA 12 sau filtrul Ultra Clean Air HEPA 13. Aceste filtre se află în partea din spate a aparatului.

Notă: Pentru a asigura o retenție optimă a prafului și performanța aspiratorului, înlocuiți întotdeauna filtrul cu un filtru Philips original cu modelul corect (consultați capitolul 'Comandarea accesoriilor').

Filtrul Super Clean Air

Filtrul Super Clean Air reține o mare parte din particulele mici din aerul evacuat, grație fibrelor sale încărcate electrostatic.

Înlocuiți filtrul Super Clean Air la fiecare șase luni. Filtrul nu poate fi spălat.

- 1 Îndepărtați grilajul filtrului (fig. 26).
- 2 Scoateți filtrul vechi (fig. 27).
- 3 Introduceți noul filtru în aparat.
- 4 Montați la loc partea superioară a grilajului filtrului și apăsați colțurile inferioare până se fixează ('clic') (fig. 28).

Filtrul Super Clean Air HEPA 12

Filtrul Super Clean Air HEPA 12 poate reține 99,5% din toate particulele cu dimensiune mai mare de 0,0003 mm din aerul evacuat. Acestea includ nu numai praful obișnuit aflat în casă, ci și paraziții microscopici dăunători cum sunt acarienii și excrementele acestora, care se numără printre cele mai frecvente cauze ale alergiilor respiratorii.

Înlocuiți filtrul Super Clean Air HEPA 12 la fiecare șase luni. Filtrul nu poate fi spălat.

Pentru a înlocui filtrul Super Clean Air HEPA 12, urmați pașii 1-4 din secțiunea 'Filtrul Super Clean Air' de mai sus.

Filtru Ultra Clean Air HEPA 13 lavabil

Filtrul Ultra Clean Air HEPA 13 poate reține 99,95% din toate particulele cu dimensiune mai mare de 0,0003 mm din aerul evacuat. Acestea includ nu numai praful obișnuit aflat în casă, ci și paraziții microscopici dăunători cum sunt acarienii și excrementele acestora, care se numără printre cele mai frecvente cauze ale alergiilor respiratorii.

Curățați filtrul Ultra Clean Air HEPA 13 lavabil la fiecare 6 luni. Puteți curăța filtrul Ultra Clean Air HEPA 13 lavabil de maxim 4 ori. Înlocuiți filtrul după ce a fost curățat de 4 ori.

- 1 Îndepărtați grilajul filtrului (fig. 29).
- 2 Scoateți filtrul HEPA 13 lavabil (fig. 30).
- 3 Spălați suprafața cutată a filtrului HEPA 13 sub un robinet cu apă caldă cu presiune redusă.
 - Țineți filtrul cu suprafața cutată în sus astfel încât apa să curgă paralel cu cutele. Țineți filtrul într-un unghi din care apa să poată spăla murdăria dintre cute (fig. 31).
 - Întoarceți filtrul cu 180° și lăsați apa să curgă peste cute în direcție opusă (fig. 32).
 - Continuați acest proces până ce filtrul este curat.

Nu curățați niciodată filtrul lavabil cu o perie (fig. 33).

Notă: Curățarea nu readuce culoarea originală a filtrului, dar îi reface puterea de filtrare.

- 4 Scuturați cu grijă apa de pe suprafața filtrului. Lăsați filtrul să se usuce cel puțin 2 ore înainte de a-l pune înapoi în aspirator.
- 5 Puneți filtrul înapoi în aparat. Reatașați partea de sus a grilajului filtrului și împingeți colțurile de jos până ce se fixează ('clic') (fig. 34).

Comandarea accesoriilor

Dacă aveți probleme la obținerea filtrelor sau a altor accesorii pentru acest aparat, vă rugăm să contactați Centrul de asistență pentru clienți Philips din țara dvs. sau să consultați broșura de garanție internațională.

- Filtrele cilindrice Philips sunt disponibile sub numărul de service 4322 005 17520.
- Filtrele Super Clean Air sunt disponibile sub numărul de cod FC8030.
- Filtrele Super Clean Air HEPA 12 nelavabile sunt disponibile sub numărul de cod FC8031.
- Filtrele Ultra Clean Air HEPA 13 lavabile sunt disponibile sub numărul de cod FC8038.

Protecția mediului

- Nu aruncați aparatul împreună cu gunoiul menajer la sfârșitul duratei de funcționare, ci duceți-l la un punct de colectare autorizat pentru reciclare. În acest fel, veți ajuta la protejarea mediului înconjurător (fig. 35).

Garanție și service

Pentru informații suplimentare sau în cazul apariției altor probleme, vă rugăm să vizitați site-ul Philips www.philips.com sau să contactați centrul de asistență pentru clienți Philips din țara dvs. (veți găsi numărul de telefon în broșura de garanție internațională). Dacă în țara dvs. nu există un astfel de centru, contactați furnizorul dvs. Philips sau Departamentul de Service din cadrul Philips Domestic Appliances and Personal Care.

Depanare

Acest capitol include cele mai frecvente problemele care pot apărea cu aparatul. Dacă nu reușiți să rezolvați problema folosind informațiile de mai jos, contactați centrul de asistență pentru clienți din țara dvs.

1 Puterea de aspirare nu este suficient de mare.

- Verificați dacă butonul pentru puterea de aspirare este pe poziția maximă.
- Verificați dacă filtrul cilindric nu este plin de murdărie.

Dacă este necesar, curățați cilindrul filtrului.

- Verificați dacă trebuie să curățați sau să înlocuiți filtrele.
- Verificați dacă indicatorul de blocare și-a schimbat culoarea. În caz afirmativ, este posibil ca duza, tubul sau furtunul să se fi blocat. (fig. 36)

Pentru a îndepărta blocajul, deconectați componenta înfundată și fixați-o (pe cât posibil) invers. Porniți aspiratorul astfel încât blocajul să fie forțat în direcția opusă.

2 Aparatul nu poate fi pornit.

- Verificați dacă carcasa cu filtrul cilindric a fost introdusă în compartimentul pentru praf.

Общее описание (Рис. 1)

- A** Колпачок
- B** Клавиша Вкл/Выкл
- C** Регулятор силы всасывания
- D** Щёточка для чистки
- E** Фильтр защиты электродвигателя
- F** Пылесборник
- G** Кнопка для открывания пылесборника
- H** Корпус цилиндрического фильтра
- I** Цилиндрический фильтр
- J** Разъем шланга
- K** Ручка
- L** Держатель для насадок
- M** Телескопическая трубка
- N** Насадка Tri-Active
- O** Щелевая насадка
- P** Маленькая насадка (только у некоторых моделей)
- Q** Маленькая щётка.
- R** Фильтр Super Clean Air; Фильтр Super Clean Air HEPA 12 или фильтр Ultra Clean Air HEPA 13
- S** Решетка фильтра
- T** Ячейка для закрепления трубки
- U** Кнопка для сматывания шнура

Внимание

До начала эксплуатации прибора внимательно ознакомьтесь с настоящим руководством и сохраните его для дальнейшего использования в качестве справочного материала.

Опасно

- Запрещается убирать пылесосом воду или другие жидкости. Запрещается применять пылесос для уборки огнеопасных веществ, а также неостывшего пепла.

Предупреждение

- Перед подключением прибора убедитесь, что указанное на нём номинальное напряжение соответствует напряжению местной электросети.
- Запрещено пользоваться электроприбором, если сетевая вилка, сетевой шнур или сам прибор повреждены.
- В случае повреждения сетевого шнура, его необходимо заменить. Чтобы обеспечить безопасную эксплуатацию прибора, заменяйте шнур в торговой организации Philips, в авторизованном сервисном центре Philips или в сервисном центре с персоналом аналогичной квалификации.
- Данный прибор не предназначен для использования лицами (включая детей) с ограниченными возможностями сенсорной системы или ограниченными интеллектуальными возможностями, а так же лицами с недостаточным опытом и знаниями, кроме случаев контроля или инструктирования по вопросам использования прибора со стороны лиц, ответственных за их безопасность.
- Не позволяйте детям играть с прибором.
- Не прикладывайте шланг, трубку или насадки, подсоединенные к включенному пылесосу, к глазам, ушам или ко рту.

Внимание

- Не выполняйте захват пылесосом крупных предметов, поскольку это может воспрепятствовать прохождению воздуха в трубке или шланге.

- При уборки пылесосом пепла, мелкого песка, известки, цементной пыли и подобных веществ поры цилиндрического фильтра могут засориться. При заметном снижении мощности всасывания очистите цилиндрический фильтр.
- Захват пылесосом крупных предметов может препятствовать прохождению воздуха в трубке или шланге. В этом случае загорается красный индикатор засора, сигнализируя о необходимости удаления застрявших предметов.
- Запрещается пользоваться пылесосом без фильтра защиты двигателя, т.к. это приводит к повреждению двигателя и сокращению срока службы прибора.
- Используйте только цилиндрический фильтр Philips, входящий в поставку.
- Уровень шума: $L_c = 76$ дБ(А).

Электромагнитные поля (ЭМП)

Данное устройство Philips соответствует стандартам по электромагнитным полям (ЭМП). При правильном обращении согласно инструкциям, приведенным в руководстве пользователя, применение устройства безопасно в соответствии с современными научными данными.

Подготовка прибора к работе

Шланг

- 1** Чтобы подсоединить шланг, плотно вставьте его в корпус пылесоса (должен прозвучать щелчок) (Рис. 2).
- 2** Для отключения шланга нажмите на кнопку открывания и извлеките шланг из прибора (Рис. 3).

Телескопическая трубка

- 1** Для присоединения телескопической трубки к рукоятке шланга нажмите на пружинную фиксирующую кнопку на рукоятке и вставьте рукоятку в трубку. Подгоните пружинную фиксирующую кнопку так, чтобы она попала в паз на трубке (должен прозвучать щелчок) (Рис. 4).
- 2** Для отсоединения трубки от рукоятки нажмите на пружинную фиксирующую кнопку и выньте рукоятку из трубки.
Таким же образом присоедините и отсоедините насадку.
- 3** Отрегулируйте длину трубки, сделав ее наиболее удобной для уборки пылесосом (Рис. 5).

Насадка Tri-Active

Насадка Tri-Active - это универсальная насадка для чистки ковров и твердых полов.

- Боковые щетки захватывают больше пыли и грязи рядом с краями насадки и позволяют лучше очищать поверхность вдоль предметов мебели и других препятствий (Рис. 6).
- Отверстие в передней части насадки позволяет осуществлять всасывание крупного мусора (Рис. 7).

- 1** Для включения режима чистки твердого пола нажмите ногой на кулисный переключатель на насадке (Рис. 8).
 - ▮ Выдвинется узкая щетка из корпуса насадки для чистки твердых полов. Одновременно приподнимется колесико, что предотвратит нанесение царапин и повысит маневренность пылесоса.
- 2** При чистке ковровых покрытий нажмите ногой соответствующий качающийся переключатель (Рис. 9).
 - ▮ Узкая щетка втянется в корпус насадки, и колесико автоматически опустится.

Щелевая насадка, маленькая насадка и маленькая щётка.

- 1 Подсоедините щелевую насадку (1), маленькую насадку (2) или маленькую щётку (3) непосредственно к рукоятке или к трубке (Рис. 10).

Держатель для насадок

- 1 Закрепите держатель для насадок на рукоятке (Рис. 11).

- 2 Закрепите две насадки в держателе для насадок:

- Щелевая насадка и маленькая насадка (Рис. 12).

Примечание. Убедитесь, что всасывающее отверстие маленькой насадки направлено в противоположную держателю сторону.

- Щелевая насадка и маленькая щётка (Рис. 13).

Примечание. Убедитесь, что всасывающее отверстие маленькой щетки направлено к держателю.

Использование прибора

- 1 Вытяните сетевой шнур из пылесоса и вставьте сетевую вилку в розетку электросети

- 2 Включите прибор, нажав на верхней панели кнопку включения/выключения (Рис. 14).

- 3 В процессе уборки силу всасывания можно регулировать с помощью кнопки, расположенной на верхней части прибора (Рис. 15).

- Для уборки очень грязных ковров и твёрдых полов устанавливайте максимальное значение мощности всасывания.
- Для очистки занавесок, скатертей и т.д. устанавливайте минимальное значение мощности всасывания.

- 4 При необходимости ненадолго прервать уборку вставьте ребро насадки в специальную ячейку, установив трубку в удобное положение (Рис. 16).

Хранение

- 1 Выключите прибор и отсоедините сетевой шнур от розетки электросети.

- 2 Чтобы смотать сетевой шнур, нажмите на кнопку сматывания шнура (Рис. 17).

- 3 Для подсоединения насадки к прибору закрепите насадку на пылесосе, вставив ребро насадки в паз. Храните прибор в вертикальном положении, чтобы все колеса касались пола (Рис. 16).

- 4 Всегда храните насадку Tri-Active установленной в положение “чистка ковра”. Также следите, чтобы боковые щетки не были согнуты (Рис. 9).

Очистка пылесборника

Перед очисткой пылесборника обязательно отключайте прибор от электросети.

Пылесборник нельзя мыть в посудомоечной машине.

- Очистку пылесборника следует производить сразу после того, как уровень пыли достигнет круглого диска корпуса цилиндрического фильтра (Рис. 18).

- 1 Выключите прибор и отсоедините шланг.

- 2 Откройте крышку, нажав на кнопку открывания на верхней части пылесборника (1). Выдвиньте крышку (2). (Рис. 19)

- 3 Извлеките пылесборник из прибора (Рис. 20).

- 4** Поместите пылесборник над мусорным ведром и вытащите из него корпус цилиндрического фильтра. Вытряхните пылесборник (Рис. 21).
- 5** При необходимости можно промыть пылесборник под струей холодной воды с небольшим количеством моющего средства.
- 6** Вставьте корпус цилиндрического фильтра в пылесборник и установите пылесборник в пылесос.
- 7** Плотно закройте крышку (должен прозвучать щелчок).

Необходимо обязательно установить корпус цилиндрического фильтра в пылесборник, иначе пылесос не будет включаться.

Очистка и обслуживание фильтров

Перед очисткой или заменой фильтров отключите прибор от розетки электросети.

Цилиндрический фильтр и корпус цилиндрического фильтра не подходят для мытья в посудомоечной машине.

Цилиндрический фильтр

Производите очистку цилиндрического фильтра каждые 2 месяца.

- 1** Выключите прибор и отсоедините шланг.
 - 2** Откройте крышку, нажав на кнопку открывания на верхней части пылесборника (1). Выдвиньте крышку (2) (Рис. 19).
 - 3** Извлеките пылесборник из прибора (Рис. 20).
 - 4** Выньте корпус цилиндрического фильтра из пылесборника (Рис. 21)
 - 5** Поверните ручку в верхней части корпуса против часовой стрелки (1) и вытащите из корпуса цилиндрический фильтр (2). (Рис. 22)
 - 6** Очистите цилиндрический фильтр и корпус цилиндрического фильтра с помощью прилагаемой щеточки. Аккуратно сметайте пыль с фильтра сверху вниз, вдоль ребер (Рис. 23).
- Используйте для очистки только щеточку, входящую в комплект. Другие щеточки могут повредить цилиндрический фильтр.
- 7** В случае загрязнения внутренней поверхности корпуса цилиндрического фильтра, очистите его над мусорным ведром.
 - 8** При необходимости можно очистить корпус цилиндрического фильтра под струей холодной воды с небольшим количеством моющего средства.
 - 9** При необходимости вымыть цилиндрический фильтр тщательно промойте его только водой. Не используйте мыло, жидкое моющее средство или какие-либо другие моющие средства. При установке в корпус фильтр должен быть полностью сухим (Рис. 24).
 - 10** Установите цилиндрический фильтр на место в корпус и поверните ручку по часовой стрелке до устойчивой фиксации цилиндрического фильтра.
Убедитесь, что цилиндрический фильтр надежно закреплен в корпусе.
 - 11** Вставьте корпус с цилиндрическим фильтром в пылесборник.

Фильтр защиты электродвигателя

Каждый раз при очистке корпуса цилиндрического фильтра очищайте фильтр защиты электродвигателя.

1 Извлеките фильтр защиты электродвигателя из прибора и очистите его, встряхнув над мусорным ведром (Рис. 25).

Если фильтр защиты электродвигателя сильно загрязнен, его можно промыть под струей холодной воды.

Для очистки фильтра защиты электродвигателя запрещается использовать жидкие и другие моющие средства!

2 Тщательно установите очищенный фильтр защиты электродвигателя на место, плотно прижав его.

Фильтр Super Clean Air HEPA 12/фильтр Ultra Clean Air HEPA 13

Этот прибор оснащен фильтром Super Clean Air, Super Clean Air HEPA 12 или Ultra Clean Air HEPA 13. Фильтры расположены в задней части пылесоса.

Примечание. Для обеспечения оптимального удержания пыли и работы пылесоса, всегда заменяйте фильтр оригинальным фильтром Philips необходимого типа (см. главу “Заказ принадлежностей”).

Фильтр Super Clean Air

Фильтр Super Clean Air улавливает большую часть самых мелких частиц из выходящего воздуха при помощи электростатического заряда волокон.

Заменяйте фильтр Super Clean Air каждые шесть месяцев. Этот фильтр не является моющимся.

1 Откройте решетку фильтра (Рис. 26).

2 Удалите старый фильтр (Рис. 27).

3 Установите в прибор новый фильтр.

4 Закройте решетку фильтра и прижмите ее нижние углы (должен прозвучать щелчок) (Рис. 28).

Фильтр Super Clean Air HEPA 12

Фильтр Super Clean Air HEPA 12 способен улавливать из выходящего воздуха до 99,5% всех частиц пыли размером до 0,0003 мм. Это не только обычная домашняя пыль, но и вредные микроскопические насекомые, такие как пылевые клещи и их экскременты, которые могут являться причиной аллергических реакций дыхательных путей.

Заменяйте фильтр Super Clean Air HEPA 12 каждые шесть месяцев. Этот фильтр не является моющимся.

При замене фильтра Super Clean Air HEPA 12 следуйте инструкциям в шаге 1-4 раздела “Фильтр Super Clean Air”, расположенного выше.

Моющийся фильтр Ultra Clean Air HEPA 13

Фильтр Super Clean Air HEPA 13 способен улавливать из выходящего воздуха до 99,5% всех частиц пыли размером до 0,0003 мм. Это не только обычная домашняя пыль, но и вредные микроскопические насекомые, такие как пылевые клещи и их экскременты, которые могут являться причиной аллергических реакций дыхательных путей.

Очищайте моющийся фильтр Ultra Clean Air HEPA 13 каждые шесть месяцев. Очищать моющийся фильтр Super Clean Air HEPA 13 можно не более четырех раз. Замените фильтр после четырех очисток.

1 Откройте решетку фильтра (Рис. 29).

2 Достаньте моющийся фильтр HEPA 13 (Рис. 30).

3 Сполосните гофрированную сторону фильтра HEPA 13 под слабой струей горячей воды.

- Держите фильтр гофрированной стороной вверх, так чтобы струя воды была параллельна складкам. Держите фильтр под таким углом, чтобы вода вымывала грязь из складок (Рис. 31).
- Поверните фильтр на 180°, так чтобы вода текла по складкам в противоположном направлении (Рис. 32).
- Продолжайте этот процесс до полной очистки фильтра.

Не чистите моющийся фильтр щеткой (Рис. 33).

Примечание. Очистка не возвращает фильтру первоначальный цвет, но возвращает мощность фильтрации.

4 Аккуратно стряхните воду с поверхности фильтра. Сушите фильтр не менее двух часов перед повторной установкой в пылесос.

5 Поместите фильтр в пылесос. Установите решетку фильтра на место и прижмите ее нижние углы (должен прозвучать щелчок) (Рис. 34).

Заказ принадлежностей

Если вы столкнулись с трудностями при приобретении фильтров или других принадлежностей, обращайтесь в Центр поддержки покупателей в вашей стране или внимательно ознакомьтесь с гарантийным талоном.

- В продаже имеются цилиндрические фильтры Philips, номер по каталогу 4322 005 17520.
- В продаже имеются фильтры Super Clean Air, номер по каталогу FC8030.
- Немоющиеся фильтры Super Clean Air HEPA 12 имеются в продаже под номером по каталогу FC8031.
- Немоющиеся фильтры Super Clean Air HEPA 13 имеются в продаже под номером по каталогу FC8038.

Защита окружающей среды

- После окончания срока службы не выбрасывайте прибор вместе с бытовыми отходами. Передайте его в специализированный пункт для дальнейшей утилизации. Этим вы поможете защитить окружающую среду (Рис. 35).

Гарантия и обслуживание

Для получения дополнительной информации или в случае возникновения проблем зайдите на веб-сайт www.philips.ru или обратитесь в Центр поддержки покупателей в Вашей стране (номер телефона центра указан на гарантийном талоне). Если подобный центр в Вашей стране отсутствует, обратитесь в Вашу местную торговую организацию Philips или в отдел поддержки покупателей компании Philips Domestic Appliances and Personal Care BV.

Поиск и устранение неисправностей

Данная глава посвящена наиболее общим вопросам использования прибора. Если самостоятельно справиться с возникшими проблемами не удастся, обратитесь в центр поддержки покупателей вашей страны.

1 Сила всасывания недостаточна.

- Убедитесь в том, что регулятор силы всасывания установлен на максимальную силу всасывания.
- Проверьте, не заполнен ли цилиндрический фильтр грязью.

При необходимости промойте цилиндрический фильтр.

- Проверьте, не требуют ли очистки или замены другие фильтры.
- Проверьте, не изменился ли цвет индикатора засора. Если цвет изменился, насадка, трубка или шланг могут быть засорены. (Рис. 36)

Для удаления засора отсоедините засоренную деталь и присоедините ее (как можно плотнее) обратной стороной. Включите пылесос для продува засоренной детали в обратном направлении.

2 Прибор не включается.

- Проверьте, установлен ли корпус цилиндрического фильтра вместе с цилиндрическим фильтром в пылесборник.

Opis zariadenia (Obr. 1)

- A** Kryt
- B** Vypínač
- C** Gombík sacieho výkonu
- D** Čistiaca kefka
- E** Ochranný filter motora
- F** Nádoba na prach
- G** Tlačidlo na uvoľnenie nádoby na prach
- H** Puzdro valcového filtra
- I** Valcový filter
- J** Koncovka na pripojenie hadice
- K** Rukoväť
- L** Nosič príslušenstva
- M** Teleskopická trubica
- N** Nástavec Tri-Active
- O** Štrbinový nástavec
- P** Malá hubica (len niektoré modely)
- Q** Malá kefa
- R** Filter Super Clean Air; filter Super Clean Air HEPA 12 alebo filter Ultra Clean Air HEPA 13
- S** Mriežka filtra
- T** Drážka na odkladanie
- U** Tlačidlo navíjania kábla

Dôležité

Pred použitím zariadenia si pozorne prečítajte tento návod na použitie a uschovajte si ho pre použitie do budúcnosti.

Nebezpečenstvo

- Nikdy nevysávajú vodu ani iné kvapaliny. Nikdy nevysávajú horľavý materiál ani popol, kým nevychladne.

Varovanie

- Pred pripojením zariadenia skontrolujte, či napätie uvedené na zariadení a napätie v sieti je rovnaké.
- Ak je poškodená zástrčka, sieťový kábel alebo samotné zariadenie, nepoužívajte ho.
- Aby nedochádzalo k nebezpečným situáciám, poškodený sieťový kábel smie vymeniť jedine personál spoločnosti Philips, servisné centrum autorizované spoločnosťou Philips alebo iná kvalifikovaná osoba.
- Toto zariadenie nesmú používať osoby (vrátane detí), ktoré majú obmedzené telesné, zmyslové alebo mentálne schopnosti alebo ktoré nemajú dostatok skúseností a znalostí, pokiaľ nie sú pod dozorom alebo im nebolo vysvetlené používanie tohto zariadenia osobou zodpovednou za ich bezpečnosť.
- Deti musia byť pod dozorom, aby sa nehrali so zariadením.
- Ak je hadica, trubica alebo iné príslušenstvo pripojené ku vysávaču a vysávač je zapnutý, nikdy týmto príslušenstvom nemierte do očí alebo uší, ani ich nekladajte do úst.

Výstraha

- Nevysávajú veľké predmety, ktoré by mohli upchať prechod vzduchu v trubici alebo hadici.
- Keď vysávač použijete na vysávanie popola, jemného piesku, vápna, cementového prachu a podobných látok, póry valcového filtra sa zanesú. Ak sa výrazne zníži sací výkon, očistite valcový filter.
- Ak vysávate veľké predmety, môže sa trubica alebo hadica upchať. V tom prípade sa farba indikátora upchatia zmení na červenú, čo znamená, že treba odstrániť blokujúci predmet.

- Zariadenie nikdy nepoužívajte bez ochranného filtra motora. Mohli by ste tým poškodiť motor a skrátiť životnosť zariadenia.
- Používajte vždy len valcový filter, ktorý dodáva spoločnosť Philips spolu so zariadením.
- Deklarovaná hodnota emisie hluku je 76 dB(A), čo predstavuje hladinu A akustického výkonu vzhľadom na referenčný akustický výkon 1 pW.

Elektromagnetické polia (EMF)

Tento výrobok Philips vyhovuje všetkým normám týkajúcim sa elektromagnetických polí (EMF). Ak budete zariadenie používať správne a v súlade s pokynmi v tomto návode na použitie, bude jeho použitie bezpečné podľa všetkých v súčasnosti známych vedeckých poznatkov.

Príprava na použitie

Hadica

- 1 Hadicu pripojte do zariadenia pevným zasunutím (budete počuť „kliknutie“) (Obr. 2).
- 2 Hadicu odpojte tak, že stlačíte uvoľňovacie tlačidlo a hadicu vytiahnete zo zariadenia (Obr. 3).

Teleskopická trubica

- 1 Ak chcete pripojiť trubicu k rukoväti hadice, stlačte odpružený uzamykací gombík na rukoväti a pripojte ju k trubici. Odpružený uzamykací gombík zasuňte do otvoru v trubici (budete počuť „kliknutie“) (Obr. 4).
- 2 Trubicu od rukoväte odpojte tak, že stlačíte uzamykací gombík a rukoväť vytiahnete z trubice.

Rovnaký postup použite aj na pripojenie a odpojenie ostatných nástavcov.

- 3 Dĺžku rúry prispôbte tak, aby sa Vám vysávalo čo najpohodlnejšie (Obr. 5).

Nástavec Tri-Active

Nástavec Tri-Active je viacúčelový nástavec určený na čistenie kobercov a pevných podláh.

- Bočné kefy zachytia viac prachu a nečistoty po bokoch nástavca a umožňujú lepšie čistenie priestoru okolo nábytku a iných prekážok (Obr. 6).
- Otvor v prednej časti nástavca umožňuje vysávanie väčších nečistôt (Obr. 7).

- 1 Ak chcete čistiť tvrdé podlahy, nohou zatlačte na kolískový prepínač na vrchnej časti nástavca (Obr. 8).
 - Z nástavca sa vysunie lišta s kefou určená na čistenie tvrdých podláh. Súčasne sa zdvihne koliesko, aby sa predišlo poškriabaniu podlahy a zvýšila sa manévrovateľnosť.
- 2 Ak chcete čistiť koberce, znovu stlačte kolískový prepínač (Obr. 9).
 - Lišta s kefou sa zasunie do nástavca a automaticky sa vysunie koliesko.

Štrbinový nástavec, malá hubica a malá kefka

- 1 Štrbinový nástavec (1), malú hubicu (len niektoré typy) (2) alebo malú kefu (3) pripojte priamo k rukoväti alebo k rúre (Obr. 10).

Nosič príslušenstva

- 1 Nosič príslušenstva nasadte na rukoväť (Obr. 11).
- 2 Do nosiča uchyťte 2 kusy príslušenstva:
 - Štrbinový nástavec a malá hubica (Obr. 12).

Poznámka: Uistite sa, že sací otvor malej hubice je otočený smerom od nosiča.

- Štrbinový nástavec a malá kefka (Obr. 13).

Poznámka: Uistite sa, že sací otvor malej kefy je otočený smerom k nosiču.

Použitie zariadenia

- 1 Z vysávača vyťahnite zvinutý kábel a zapojte ho do siete.
- 2 Stlačením vypínača na vrchnej časti zariadenia zapnete zariadenie (Obr. 14).
- 3 Pomocou gombíka na vrchnej strane zariadenia môžete nastaviť sací výkon vysávača aj počas vysávania (Obr. 15).
 - Maximálny sací výkon nastavte, keď vysávate veľmi znečistené koberce a pevnú podlahu.
 - Minimálny sací výkon nastavte pri vysávaní záclon, obrusov a pod.
- 4 Ak chcete vysávanie na chvíľku prerušiť, zasunúť výstupok na nástavci do drážky na odkladanie, aby ste trubicu odložili vo vhodnej polohe (Obr. 16).

Odkladanie

- 1 Vypnite zariadenie a odpojte ho zo siete.
- 2 Stlačte tlačidlo navíjania kábla, aby sa navinul sieťový kábel (Obr. 17).
- 3 Zasuňte výstupok hubice do drážky na odkladanie, čím upevníte hubicu k zariadeniu. Zariadenie uskladnite v horizontálnej polohe, pričom sa musia všetky kolieska dotýkať podlahy (Obr. 16).
- 4 Keď zariadenie odkladáte, nástavec Tri-Active prepnite do polohy určenej na vysávanie kobercov, aby sa nepoohýbali bočné kefy (Obr. 9).

Vyprázdenie nádoby na prach

Pred vyprázdnením nádoby na prach vždy odpojte zariadenie zo siete.

Nádoba na prach nie je vhodná na čistenie v umývačke na riad.

- Nádobu na prach vyprázdňte hneď, ako uvidíte, že hladina prachu v nádobe dosiahla okrúhly disk puzdra valcového filtra (Obr. 18).

- 1 Vypnite zariadenie a odpojte hadicu.
- 2 Stlačením uvoľňovacieho tlačidla na vrchu rukoväte nádoby na prach (1) odomknite kryt. Otvorte vyklápací kryt (2). (Obr. 19)
- 3 Nádobu na prach vyberte zo zariadenia (Obr. 20).
- 4 Nádobu na prach podržte nad odpadkovým košom a vyberte z nej puzdro valcového filtra. Nádobu vyprázdňte (Obr. 21).
- 5 Ak chcete, nádobu môžete opláchnuť studenou vodou s prídavkom čistiaceho prostriedku.
- 6 Puzdro s valcovým filtrom vložte späť do nádoby a nádobu späť do zariadenia.
- 7 Kryt pevne zatvorte (budete počuť „kliknutie“).

Nezabudnite vrátiť puzdro s valcovým filtrom späť do nádoby, inak nebudete môcť vysávač zapnúť.

Čistenie a údržba filtrov

Pred čistením alebo výmenou filtrov zariadenie vždy odpojte zo siete.

Puzdro a valcový filter nie je možné čistiť v umývačke na riad.

Valcový filter

Valcový filter čistite raz za 2 mesiace.

- 1 Vypnite zariadenie a odpojte hadicu.
- 2 Stlačením uvoľňovacieho tlačidla na vrchu rukoväte nádoby na prach (1) odomknite kryt. Otvorte vyklápací kryt (2) (Obr. 19).
- 3 Nádobu na prach vyberte zo zariadenia (Obr. 20).
- 4 Vyberte puzdro valcového filtra z nádoby na prach (Obr. 21).
- 5 Rúčku na vrchu puzdra otočte proti smeru pohybu hodinových ručičiek (1) a vyberte z neho valcový filter (2). (Obr. 22)
- 6 Valcový filter a puzdro očistite dodanou kefou. Kefou pohybujte zhora nadol pozdĺž rebier filtra (Obr. 23).

Používajte len dodanú kefu. Iné kefy by mohli valcový filter poškodiť.

- 7 Ak sú nečistoty vo vnútri puzdra filtra, vyprázdňte ho nad odpadkovým košom.
- 8 Ak chcete, puzdro valcového filtra môžete opláchnuť studenou vodou s prídavkom čistiaceho prostriedku.
- 9 Ak chcete valcový filter umyť vodou, dôkladne ho poumývajte len čistou vodou. Na čistenie filtra nepoužívajte mydlo, prostriedok na umývanie riadu ani iný čistiaci prostriedok. Skôr, ako valcový filter vrátite späť do puzdra, nechajte ho úplne vyschnúť (Obr. 24).
- 10 Valcový filter vložte späť do puzdra a rúčkou otočte v smere pohybu hodinových ručičiek, aby valcový filter zapadol do určenej polohy.
Skontrolujte, či je valcový filter bezpečne uložený v puzdre.
- 11 Puzdro s valcovým filtrom vložte späť do nádoby na prach.

Ochranný filter motora

Permanentný ochranný filter motora očistíte vždy, keď čistíte puzdro valcového filtra.

- 1 Zo zariadenia vyberte ochranný filter motora. Od prachu ho očistíte poklepaním o okraj odpadkového koša (Obr. 25).
Ak je ochranný filter motora veľmi znečistený, môžete ho opláchnuť studenou vodou.

Na čistenie ochranného filtra motora nepoužívajte tekuté ani žiadne iné čistiace prostriedky.

- 2 Filter pevne zasuňte späť do priehradky pre filter a dbajte na to, aby poriadne zapadol do správnej polohy.

Filter Super Clean Air, filter Super Clean Air HEPA 12 alebo filter Ultra Clean Air HEPA 13

Toto zariadenie je vybavené buď filtrom Super Clean Air, filtrom Super Clean Air HEPA 12, alebo filtrom Ultra Clean Air HEPA 13. Tieto filtre sa nachádzajú v zadnej časti zariadenia.

Poznámka: Aby bolo zaručené optimálne zachytávanie prachu a výkon vysávača, musíte filter vždy vymeniť jedine za originálny filter značky Philips správneho typu (pozrite si kapitolu „Objednávanie príslušenstva“).

Filter Super Clean Air

Úlohou filtra Super Clean Air je pomocou elektrostaticky nabitých vlákien odfiltrovať podstatnú časť menších prachových častíc z vyfukovaného vzduchu.

Filter Super Clean Air vymieňajte každých 6 mesiacov. Tento filter sa nesmie umývať.

- 1 Zložte mriežku filtra (Obr. 26).
- 2 Vytiahnite starý filter (Obr. 27).

3 Do zariadenia vložte nový filter.

4 Zložte naspäť vrchnú časť mriežky filtra a jej dolné rohy zatlačte, až pokiaľ nezapadnú na svoje miesto (budete počuť „kliknutie“) (Obr. 28).

Filter Super Clean Air HEPA 12

Filter Super Clean Air HEPA 12 dokáže odstrániť z vyfukovaného vzduchu 99,5 % drobných častíček väčších ako 0,0003 mm. Medzi tieto častíčky nepatrí len prach, ale aj škodlivé mikroskopické organizmy, ako napr. roztoče a ich výkaly, ktoré sú známou príčinou alergií dýchacích ciest.

Filter Super Clean Air HEPA 12 vymieňajte každých 6 mesiacov. Tento filter sa nesmie umývať.

Pri výmene filtra Super Clean Air HEPA 12 postupujte podľa krokov 1-4 v časti „Filter Super Clean Air“ uvedenej vyššie.

Umývateľný filter Ultra Clean Air HEPA 13

Filter Ultra Clean Air HEPA 13 dokáže odstrániť z vyfukovaného vzduchu 99,95 % drobných častíček väčších ako 0,0003 mm. Medzi tieto častíčky nepatrí len prach, ale aj škodlivé mikroskopické organizmy, ako napr. roztoče a ich výkaly, ktoré sú známou príčinou alergií dýchacích ciest.

Umývateľný filter Ultra Clean Air HEPA 13 vyčistíte raz za 6 mesiacov. Umývateľný filter Ultra Clean Air HEPA 13 môžete umyť maximálne štyrikrát. Po 4 umytiach filter vymeňte.

1 Zložte mriežku filtra (Obr. 29).

2 Vyberte umývateľný filter HEPA 13 (Obr. 30).

3 Stranu filtra HEPA 13 so záhybmi opláchnite miernym prúdom horúcej vody.

- Filter držte tak, aby bola strana so záhybmi vo vzpriamenej polohe a voda stekala rovnobežne so záhybmi. Filter držte pod takým uhlom, aby voda zmyla nečistoty zachytené v záhyboch (Obr. 31).
- Otočte filter o 180° a nechajte vodu stekať pozdĺž záhybov v opačnom smere (Obr. 32).
- Tento postup opakujte, až kým filter nebude čistý.

Umývateľný filter nikdy nečistite pomocou kefy (Obr. 33).

Poznámka: Čistením sa neobnoví pôvodná farba filtra, ale jeho filtračný výkon.

4 Z povrchu filtra opatrne otraste zvyšky vody. Pred opätovným vložením do vysávača nechajte filter aspoň 2 hodiny schnúť.

5 Filter vložte späť do zariadenia. Znovu pripevnite vrchnú časť mriežky filtra a zatlačte na jej spodné rohy, až pokým nezaskočia na miesto („kliknutie“) (Obr. 34).

Objednávania príslušenstva

Ak máte problém so zaoštaraním filtrov alebo iného príslušenstva pre toto zariadenie, prosíme Vás, aby ste sa obrátili na Centrum starostlivosti o zákazníkov spoločnosti Philips vo Vašej krajine alebo sa riadili pokynmi uvedenými v celosvetovo platnom záručnom liste.

- Valcové filtre Philips si môžete objednať pod servisným číslom 4322 005 17520.
- Filtre Super Clean Air si môžete objednať pod katalógovým označením FC8030.
- Neumývateľné filtre Super Clean Air HEPA 12 si môžete objednať pod katalógovým označením FC8031.
- Umývateľné filtre Super Clean Air HEPA 13 si môžete objednať pod katalógovým označením FC8038.

Životné prostredie

- Zariadenie na konci jeho životnosti neodhadzujte spolu s bežným komunálnym odpadom, ale kvôli recyklácii ho odovzdajte na mieste oficiálneho zberu. Pomôžete tak chrániť životné prostredie (Obr. 35).

Záruka a servis

Ak potrebujete informácie alebo máte problém, navštívte webovú stránku spoločnosti Philips na adrese www.philips.com, alebo sa obráťte na Centrum služieb zákazníkom spoločnosti Philips vo vašej krajine (telefónne číslo Centra nájdete v priloženom celosvetovo platnom záručnom liste). Ak sa vo vašej krajine toto Centrum nenachádza, obráťte sa na miestneho predajcu Philips alebo kontaktujte Oddelenie služieb spoločnosti Philips - divízia domáce spotrebiče a osobná starostlivosť.

Riešenie problémov

Táto kapitola obsahuje zhrnutie najbežnejších problémov, ktoré sa môžu vyskytnúť pri používaní zariadenia. Ak neviete problém vyriešiť pomocou nižšie uvedených informácií, obráťte sa na Centrum služieb zákazníkom spoločnosti Philips vo Vašej krajine.

1 Nedostatočný sací výkon.

- Skontrolujte, či je gombík nastavenia sacieho výkonu na maxime.
- Skontrolujte, či nie je valcový filter naplnený prachom.

Ak treba, vyčistíte puzdro valcového filtra.

- Skontrolujte, či nie je treba vyčistiť alebo vymeniť ostatné filtre.
- Skontrolujte, či indikátor upchatia nezmenil farbu. Ak zmenil farbu, tak je možné, že hubica, trubica alebo hadica sú upchaté. (Obr. 36)

Aby ste odstránili upchatie, odpojte zablokovanú časť a pripojte ju (až pokiaľ sa dá) v opačnom smere. Zapnite vysávač a nechajte prúdiť vzduch cez upchaté miesto v opačnom smere.

2 Zariadenie sa nedá zapnúť.

- Skontrolujte, či je puzdro s valcovým filtrom vložené do nádoby na prach.

Splošni opis (Sl. 1)

- A** Pokrov
- B** Gumb za vklop/izklop
- C** Regulator sesalne moči
- D** Ščetka za čiščenje
- E** Zaščitni filter motorja
- F** Komora za prah
- G** Gumb za sprostitvev komore za prah
- H** Ohišje valjastega filtra
- I** Valjasti filter
- J** Priključek fleksibilne cevi
- K** Ročaj
- L** Nosilec nastavkov
- M** Teleskopska cev
- N** Nastavek Tri-Active
- O** Ozki nastavek
- P** Mali nastavek (samo pri določenih modelih)
- Q** Mala ščetka
- R** Filter Super Clean Air; Filter Super Clean Air HEPA 12 ali Filter Ultra Clean Air HEPA 13
- S** Mreža filtra
- T** Reža za shranjevanje
- U** Gumb za navijanje kabla

Pomembno

Pred uporabo aparata natančno preberite uporabniški priročnik in ga shranite za poznejšo uporabo.

Nevarnost

- Ne vsesavajte vode ali katerekoli druge tekočine. Ne vsesavajte vnetljivih snovi ali pepela, dokler se ta popolnoma ne ohladi.

Opozorilo

- Preden aparat priključite na električno omrežje, preverite, ali na adapterju navedena napetost ustreza napetosti lokalnega električnega omrežja.
- Aparata ne uporabljajte, če je poškodovan vtikač, omrežni kabel ali sam aparat.
- Poškodovani omrežni kabel sme zamenjati le podjetje Philips, Philipsov pooblaščen servis ali ustrezno usposobljeno oseboje.
- Aparat ni namenjen, da bi ga uporabljali otroci in osebe z zmanjšanimi fizičnimi ali psihičnimi sposobnostmi in tudi ne osebe s pomanjkljivimi izkušnjami in znanjem, razen če jih pri uporabi nadzoruje ali jim svetuje oseba, ki je odgovorna za njihovo varnost.
- Otroci naj se ne igrajo z aparatom.
- Ko je sesalnik vklopljen in je cev priključena na sesalnik, cevi, fleksibilne cevi ali drugih nastavkov ne usmerjajte v oči ali ušesa in jih ne vstavljajte v usta.

Pozor

- Ne vsesavajte večjih predmetov, ker s tem lahko blokirate pretok zraka v cevi ali fleksibilni cevi.
- Če sesalnik uporabljate za sesanje pepela, finega peska, apna, cementnega prahu in podobnega, se pore valjastega filtra zamašijo. Ko opazite zmanjšano sesalno moč, valjasti filter očistite.
- Ne sesajte večjih predmetov, ker lahko s tem blokirate pretok zraka v cevi ali fleksibilni cevi. V tem primeru indikator blokade postane rdeč, kar pomeni, da je nekje ovira, ki jo je treba odstraniti.
- Aparata ne uporabljajte brez zaščitnega filtra motorja, ker to lahko poškoduje motor in skrajša življenjsko dobo aparata.
- Uporabljajte samo valjasti filter Philips, ki je priložen aparatu.

- Raven hrupa: $L_c = 76 \text{ dB(A)}$

Elektromagnetna polja (EMF)

Ta Philipsov aparat ustreza vsem standardom glede elektromagnetnih polj (EMF). Če z aparatom ravnate pravilno in v skladu z navodili v tem uporabniškem priročniku, je njegova uporaba glede na danes veljavne znanstvene dokaze varna.

Priprava pred uporabo

Fleksibilna cev

- 1 Za priključitev cevi le-to čvrsto potisnite v aparat (zaslišali boste klik) (Sl. 2).
- 2 Za odklop fleksibilne cevi pritisnite gumb za sprostitvev priključka in fleksibilno cev izvlcite iz aparata (Sl. 3)

Teleskopska cev

- 1 Sesalno cev priključite na ročaj fleksibilne cevi tako, da pritisnete vzmetni gumb na ročaju in vstavite ročaj v sesalno cev ter namestite vzmetni gumb v odprtino na sesalni cevi ("klik") (Sl. 4).
- 2 Za odklop cevi z ročaja stisnite vzmetni gumb in ročaj izvlcite iz cevi.
Enak postopek uporabite tudi za priključitev in odklop nastavkov.
- 3 Ustrezno prilagodite dolžino cevi (Sl. 5).

Nastavek Tri-Active

Nastavek s trojnimi delovanji je večnamenski nastavek za preproge in trde podlage.

- Stranske ščetine ob straneh nastavka ujamejo več prahu in umazanije ter tako omogočajo učinkovitejšo sesanje okoli pohištva in drugih ovir (Sl. 6).
- Reža na sprednjem delu nastavka omogoča sesanje večjih delov (Sl. 7).

- 1 Ko čistite trda tla, pritisnite z nogo preklopno stikalo na vrhu nastavka (Sl. 8).
 - ▶ Iz ohišja nastavka izskoči ščetka za čiščenje trdih tal. Hkrati se dvigne tudi kolesce, kar preprečuje praskanje in izboljša gibljivost.
- 2 Ko sesate preproge, z nogo ponovno pritisnite preklopno stikalo (Sl. 9).
 - ▶ Ščetka skoči nazaj v ohišje nastavka, kolesce pa se samodejno spusti.

Ozki nastavek, mali nastavek in mala krtača

- 1 Ozki nastavek (1), mali nastavek (samo določeni modeli) (2) ali malo ščetko (3) priključite neposredno na ročaj ali cev (Sl. 10).

Nosilec nastavkov

- 1 Nosilec nastavkov nataknete na ročaj (Sl. 11).
- 2 V nosilec nastavkov lahko pritrdite dva nastavka:
 - Ozki nastavek in mali nastavek (Sl. 12).

Opomba: Sesalna odprtina malega nastavka mora biti usmerjena v stran od nosilca.

- Ozki nastavek in mala krtača (Sl. 13).

Opomba: Sesalna odprtina male krtače mora biti usmerjena proti nosilcu.

Uporaba aparata

- 1 Omrežni kabel izvlcite iz aparata in vtičnik vključite v omrežno vtičnico.
- 2 Za vklop aparata pritisnite gumb za vklop/izklop na vrhu aparata (Sl. 14).

- 3** Med sesanjem lahko prilagajate sesalno moč z regulatorjem na vrhu aparata (Sl. 15).
 - Močno umazane preproge in trda tla sesajte z največjo sesalno močjo.
 - Za sesanje zaves, namiznih prtov in podobnega uporabite najmanjšo moč sesanja.
- 4** Če želite sesanje za trenutek prekiniti, lahko sesalno cev enostavno zataknete v režo za shranjevanje (Sl. 16).

Shranjevanje

- 1** Aparat izklopite in omrežni kabel izključite iz omrežne vtičnice.
- 2** Pritisnite gumb za navijanje kabla, da navijete omrežni kabel (Sl. 17).
- 3** Nastavek zataknete v režo za shranjevanje, da ga priključite na aparat. Aparat shranite v vodoravnem položaju tako, da so kolesa na tleh (Sl. 16).
- 4** Nastavek Tri-Active hranite v položaju za čiščenje preprog. Preprečite zvijanje stranskih ščetin (Sl. 9).

Praznjenje komore za prah

Aparat vedno izključite, preden izpraznete komoro za prah.

Komora za prah ni vodotesna.

- Komoro za prah izpraznite takoj, ko raven nesnage doseže obroček okoli ohišja valjastega filtra (Sl. 18).

- 1** Izklopite aparat in odstranite cev.
- 2** Pritisnite gumb za sprostitvev na vrhu ročaja komore za prah, da odklenete pokrov (1). Odprite pokrov (2). (Sl. 19)
- 3** Komoro za prah dvignite iz naprave (Sl. 20).
- 4** Komoro za prah držite nad košem za smeti in iz nje izvlecite valjasti filter. Komoro za prah izpraznite (Sl. 21).
- 5** Po želji lahko komoro sperete pod pipo s hladno vodo in nekaj tekočega čistila.
- 6** Ohišje valjastega filtra vstavite nazaj v komoro za prah, komoro pa nazaj v aparat.
- 7** Pokrov čvrsto zaprite (zaslišali boste klik).

Ohišje valjastega filtra vstavite v komoro, sicer aparata ne morete vklopiti.

Čiščenje in vzdrževanje filtrov

Pred čiščenjem ali menjavo filtrov izključite aparat.

Valjastega filtra in ohišja ne perite v pomivalnem stroju.

Valjasti filter

Valjasti filter očistite vsaka dva meseca.

- 1** Izklopite aparat in odstranite cev.
- 2** Pritisnite gumb za sprostitvev na vrhu ročaja komore za prah, da odklenete pokrov (1). Odprite pokrov (2) (Sl. 19).
- 3** Komoro za prah dvignite iz naprave (Sl. 20).
- 4** Valjasti filter dvignite iz komore (Sl. 21)

- 5 Ročaj na vrhu ohišja valjastega filtra obrnite v nasprotni smeri urinega kazalca (1) in filter dvignite iz komore (2). (Sl. 22)
- 6 Valjasti filter in ohišje očistite s priloženo ščetko. Ščetkajte od vrha filtra navzdol v smeri reber filtra (Sl. 23).

Uporabljajte samo priloženo ščetko. Druge ščetke lahko filter poškodujejo.

- 7 Če se je v notranjosti komore nabrala nesnaga, jo izpraznite nad smetnjakom.
- 8 Po želji lahko valjasti filter sperete pod pipo s hladno vodo in nekaj tekočega čistila.
- 9 Če želite valjasti filter oprati, ga temeljito operite samo z vodo.. Za čiščenje filtra ne uporabljajte mila, tekočega čistila ali drugih čistil. Preden valjasti filter ponovno namestite, počakajte, da se dobro posuši (Sl. 24).
- 10 Valjasti filter položite nazaj v ohišje in obračajte ročaj v levo, dokler se ne zaskoči na svojem mestu.
Preverite, ali je valjasti filter varno nameščen v ohišju.
- 11 Ohišje z valjastim filtrom vstavite v komoro za prah.

Zaščitni filter motorja

Pri vsakem čiščenju ohišja valjastega filtra očistite tudi zaščitni filter motorja.

- 1 Vzemite zaščitni filter za motor iz aparata. Očistite ga tako, da ga stresete nad košem za smeti (Sl. 25).

Če je zaščitni filter motorja močno umazan, ga lahko sperete tudi s hladno vodo iz pipe.

Za čiščenje zaščitnega filtra motorja ne uporabljajte tekočega čistila ali drugega čistilnega sredstva!

- 2 Očiščen filter trdno in zanesljivo namestite nazaj na mesto.

Filter Super Clean Air, Filter Super Clean Air HEPA 12 ali Filter Ultra Clean Air HEPA 13

Ta aparat je opremljen s filtrom Super Clean Air, Super Clean Air HEPA 12 ali Ultra Clean Air HEPA 13. Filtri so na zadnjem delu aparata

Opomba: Če želite zagotoviti optimalno zadrževanje prahu in delovanje sesalnika, zamenjajte filter z ustreznim originalnim Philipsovim filtrom (oglejte si poglavje "Naročanje dodatne opreme").

Filter Super Clean Air

Filter Super Clean Air s pomočjo elektrostatično nabitih vlaken prestreže večino majhnih delcev v izhodnem zraku.

Filter Super Clean Air zamenjajte vsakih šest mesecev. Ta filter ni pralen.

- 1 Odstranite rešetko filtra (Sl. 26).
- 2 Odstranite stari filter (Sl. 27).
- 3 V aparat vstavite nov filter.
- 4 Zgornji del rešetke filtra ponovno pritrdite in jo potisnite na spodnji strani, da se bo pravilno namestila (zaslišali boste klik) (Sl. 28).

Filter Super Clean Air HEPA 12

Filter Super Clean Air HEPA 12 iz izhodnega zraka odstrani 99,5 % vseh delcev, večjih od 0,0003 mm. Takšni niso samo običajen hišni prah, temveč tudi škodljivi mikroskopski organizmi, kot so pršice in njihovi iztrebki, ki so znan povzročitelj alergij dihal.

Filter Super Clean Air HEPA 12 zamenjajte vsakih šest mesecev. Ta filter ni pralen.

Če želite zamenjati filter Super Clean Air HEPA 12, sledite korakom 1-4 v delu "Filter Super Clean Air" zgoraj.

Pralni filter Ultra Clean Air HEPA 13

Filter Ultra Clean Air HEPA 13 iz izhodnega zraka odstrani 99,95 % vseh delcev, večjih od 0,0003 mm. Takšni niso samo običajen hišni prah, temveč tudi škodljivi mikroskopski organizmi, kot so pršice in njihovi iztrebki, ki so znan povzročitelj alergij dihal.

Pralni filter Ultra Clean Air HEPA 13 očistite vsakih 6 mesecev. Pralni filter Ultra Clean Air HEPA 13 lahko očistite največ štirikrat. Po četrtem čiščenju je treba filter zamenjati.

1 Odstranite rešetko filtra (Sl. 29).

2 Izvlecite pralni filter HEPA 13 (Sl. 30).

3 Sperite nagubano stran filtra HEPA 13 pod vročo in počasi tekočo vodo iz pipe.

- Filter držite tako, da je nagubana stran usmerjena navzgor in da voda teče vzporedno z gubami. Filter držite pod kotom tako, da voda s pere umazanijo iz gub (Sl. 31).
- Filter obrnite za 180° in pustite, da voda teče vzdolž gub še v nasprotni smeri (Sl. 32).
- Nadaljujte s čiščenjem, dokler filter ni čist.

Pralnega filtra ne čistite s ščetko (Sl. 33).

Opomba: S čiščenjem ni mogoče povrniti prvotne barve filtra, se pa obnovi zmogljivost filtriranja.

4 Previdno otriesite vodo s površine filtra. Preden vstavite filter nazaj v sesalnik, ga pustite, da se suši vsaj dve uri.

5 Vstavite filter nazaj v aparat. Zgornji del rešetke filtra ponovno pritrdite in jo potisnite na spodnji strani, da se bo pravilno namestila ("klik") (Sl. 34).

Naročanje pribora

V primeru težav pri nabavi filtrov ali ostale dodatne opreme za aparat se obrnite na Philipsov center za pomoč uporabnikom v vaši državi oziroma si oglejte mednarodni garancijski list.

- Philipsovi valjasti filtri so na voljo pod servisno številko 4322 005 17520.
- Filtri Super Clean Air so na voljo pod oznako FC8030.
- Nepralni filtri Super Clean Air HEPA 12 so na voljo pod oznako FC8031.
- Pralni filtri Ultra Clean Air HEPA 13 so na voljo pod oznako FC8038.

Okolje

- Aparata po izteku življenjske dobe ne odvrzite z običajnimi gospodinjstvi odpadki, temveč ga odložite na uradnem zbirnem mestu za recikliranje. Tako boste pripomogli k ohranitvi okolja (Sl. 35).

Garancija in servis

Za informacije ali v primeru težav obiščite Philipsovo spletno stran na naslovu www.philips.com oziroma se obrnite na Philipsov center za pomoč uporabnikom v vaši državi (telefonsko številko najdete v mednarodnem garancijskem listu). Če v vaši državi takšnega centra ni, se obrnite na lokalnega Philipsovega prodajalca ali Philipsov oddelek za male gospodinjstve aparate in aparate za osebno nego.

Odpravljanje težav

To poglavje vsebuje povzetek najpogostejših težav pri uporabi aparata. Če težav s temi nasveti ne morete odpraviti, se obrnite na Philipsov center za pomoč uporabnikov v vaši državi.

1 Premajhna sesalna moč.

- Preverite, ali je regulator sesalne moči nastavljen na največjo moč.
- Preverite, ali je valjasti filter poln nesnage.

Če je potrebno, očistite valjasti filter:

- Preverite, ali je potrebno očistiti ali zamenjati tudi druge filtre.
- Preverite, ali je indikator blokade spremenil barvo. Če jo je, so nastavek, cev ali fleksibilna cev morda zamašeni. (Sl. 36)

Za odstranitev ovire odklopite blokirani del in ga ponovno priklopite (kolikor daleč je mogoče) v nasprotni smeri. Vključite sesalnik in s tem zrak spustite skozi blokirani del v nasprotni smeri.

2 Aparata ne morete vklopiti.

- Preverite, ali je ohišje valjastega filtra vstavljeno v komoro za prah.

Opšti opis (Sl. 1)

- A** Zaštitni poklopac
- B** Dugme za uključivanje/isključivanje
- C** Dugme jačine usisavanja
- D** Četka za čišćenje
- E** Filter za zaštitu motora
- F** Posuda za prašinu
- G** Dugme za otvaranje posude za prašinu
- H** Kućište cilindra filtera
- I** Cilindar filtera
- J** Priključak za crevo
- K** Ručke
- L** Držač za dodatke
- M** Teleskopska cev
- N** Usisna cev Tri-Active
- O** Dodatak za uske površine
- P** Mala mlaznica (samo određeni modeli)
- Q** Mala četka
- R** Super Clean Air Filter; Super Clean Air HEPA 12 filter ili Ultra Clean Air HEPA 13 filter
- S** Rešetka filtera
- T** Prerez za odlaganje
- U** Dugme za namotavanje kabla

Važno

Pre upotrebe aparata pažljivo pročitajte ovo uputstvo i sačuvajte ga za buduće potrebe.

Opasnost

- Nikada nemojte usisavati vodu ili neke druge tečnosti te zapaljive supstance, a pepeo ne usisavajte dok se ne ohladi.

Upozorenje

- Pre uključivanja aparata proverite da li napon naznačen na aparatu odgovara naponu lokalne mreže.
- Nemojte da koristite aparat ako je oštećen utikač, kabl za napajanje ili sam aparat.
- Ako je glavni kabl oštećen, on uvek mora biti zamenjen od strane kompanije Philips, ovlašćenog Philips servisa ili na sličan način kvalifikovanih osoba, kako bi se izbegao rizik.
- Ovaj aparat nije namenjen za upotrebu od strane osoba (uključujući i decu) sa smanjenim fizičkim, senzornim ili mentalnim sposobnostima, ili nedostatkom iskustva i znanja, osim pod nadzorom ili na osnovu instrukcija za upotrebu aparata datih od strane osobe koja odgovara za njihovu bezbednost.
- Deca moraju da budu pod nadzorom da se ne bi igrala sa aparatom.
- Nemojte da usmeravate crevo, cev ili neki dodatak prema očima ili ušima, niti ih stavljajte u usta ako su oni spojeni sa usisivačem koji je uključen.

Oprez

- Nemojte usisavati krupne predmete jer oni mogu blokirati prolazak vazduha kroz cev ili crevo.
- Kada koristite aparat za usisavanje pepela, finog peska, kreča, cementne prašine i sličnih supstanci, pore na cilindru filtera će se zapušiti. Ako primetite da je znatno oslabila snaga usisavanja, očistite cilindar filtera.
- Usisavanje većih predmeta može da dovede do prekida prolaska vazduha kroz cev ili crevo. Ako se to desi, indikator blokiranosti će postati crven da bi pokazao da postoji blokada koju treba ukloniti.

- Usisivač nemojte da koristite bez filtera za zaštitu motora. To oštećuje motor i skraćuje životni vek aparata.
- Koristite samo Philips cilindar filtera isporučen uz uređaj.
- Jačina buke: $L_c = 76 \text{ dB (A)}$.

Elektromagnetna polja (EMF)

Ovaj Philips aparat je usklađen sa svim standardima u vezi sa elektromagnetnim poljima (EMF). Ako se aparatom rukuje na odgovarajući način i u skladu sa uputstvima iz ovog priručnika, aparat je bezbedan za upotrebu prema naučnim dokazima koji su danas dostupni.

Pre upotrebe

Crevo

- 1 Da biste priključili crevo, snažno ga gurnite u usisivač ("klik") (Sl. 2).
- 2 Da biste skinuli crevo, pritisnite taster za oslobađanje i izvucite crevo iz uređaja (Sl. 3).

Teleskopska cev

- 1 Da biste priključili cev na rukohvat creva, pritisnite dugme sa oprugom na rukohvatu i umetnite rukohvat u cev. Namestite dugme sa oprugom u otvor na cevi ("klik") (Sl. 4).
- 2 Da biste odvojili cev od drške, pritisnite dugme sa oprugom i izvucite dršku iz cevi. Istu metodu koristite i za priključivanje i skidanje mlaznica.
- 3 Podesite cev na dužinu koja vam najviše odgovara za usisavanje (Sl. 5).

Usisna cev Tri-Active

Tri-Active mlaznica je višenamenska mlaznica za tepihe i tvrde podove.

- Bočne četke dohvataju više prašine i prljavštine na bočnim stranama mlaznice i omogućavaju bolje čišćenje duž nameštaja i drugih prepreka (Sl. 6).
 - Otvor sa prednje strane mlaznice vam omogućava da usisavate veće čestice (Sl. 7).
- 1 Ako želite da čistite tvrde podove, nogom pritisnite prekidač na vrhu mlaznice (Sl. 8).
 - ▶ Četka za čišćenje tvrdih podova izaći će iz kućišta mlaznice. Istovremeno se podiže točkić da bi se sprečilo grebanje i povećala mogućnost manevrisanja.
 - 2 Za čišćenje tepiha, ponovo pritisnite prekidač (Sl. 9).
 - ▶ Četka će se uvući u kućište mlaznice, a točkić će se automatski spustiti.

Dodatak za uske površine, mala mlaznica i mala četka

- 1 Priključite dodatak za uske površine (1), malu mlaznicu (samo određeni modeli) (2) ili malu četku (3) direktno na rukohvat ili cev (Sl. 10).

Držać za dodatke

- 1 Držać za dodatke zakačite na rukohvat (Sl. 11).
- 2 Zakačite dva dodatka na držać za dodatke:
 - Alat za uske površine i malu mlaznicu (Sl. 12).

Napomena: Vodite računa da otvor za usisavanje na maloj mlaznici bude okrenut u suprotnom smeru od držača.

- Alat za uske površine i malu četku (Sl. 13).

Napomena: Vodite računa da otvor za usisavanje na maloj četki bude okrenut u smeru držača.

Upotreba aparata

- 1** Izvucite kabl iz usisivača i gurnite utikač u zidnu utičnicu.
- 2** Aparat uključite pritiskom na dugme za uključivanje/isključivanje na gornjoj strani usisivača (Sl. 14).
- 3** Tokom usisavanja pomoću dugmeta na gornjoj strani usisivača možete da podešavate jačinu usisavanja (Sl. 15).
 - Upotrebljavajte maksimalnu jačinu usisavanja za čišćenje veoma prljavih tepiha i tvrdih podova.
 - Koristite minimalnu jačinu usisavanja za čišćenje zavesa, draperija itd.
- 4** Ako želite da napravite pauzu na trenutak, umetnite izbočinu na mlaznici u prorez za odlaganje i smestite cev u odgovarajući položaj (Sl. 16).

Odlaganje

- 1** Isključite usisivač i izvadite utikač iz utičnice.
- 2** Pritisnite dugme za namotavanje kabela za uvlačenje kabela za napajanje (Sl. 17).
- 3** Stavite izbočinu na mlaznici u prorez za odlaganje cevi i zakačite mlaznicu na aparat. Aparat čuvajte u horizontalnom položaju tako da svi točkici dodiruju pod (Sl. 16).
- 4** Tri-Active mlaznicu prilikom odlaganja uvek podesite na opciju za čišćenje tepiha. Tako se bočne četke neće iskriviti (Sl. 9).

Pražnjenje posude za prašinu

Uvek pre pražnjenja posude za prašinu isključite usisivač iz napajanja.

Posuda za prašinu ne može da se pere u mašini za pranje posuđa.

- Posudu za prašinu ispraznite čim nivo prašine dosegne okrugli disk kućišta cilindra filtera (Sl. 18).

- 1** Isključite usisivač i skinite crevo.
- 2** Pritisnite dugme za otpuštanje na vrhu drške posude za prašinu da biste otvorili poklopac (1). Otvorite poklopac (2). (Sl. 19)
- 3** Izvadite posudu za prašinu iz usisivača (Sl. 20).
- 4** Držite posudu za prašinu iznad kante za otpatke i izvucite kućište cilindra filtera iz posude. Ispraznite posudu (Sl. 21).
- 5** Ako želite, možete da perete posudu za prašinu hladnom vodom iz slavine i s malo tečnosti za pranje sudova.
- 6** Vratite kućište cilindra filtera u posudu za prašinu, a nju vratite u uređaj.
- 7** Čvrsto zatvorite poklopac ("klik").

Uvek vratite kućište cilindra filtera u posudu, inače se uređaj neće moći uključiti.

Čišćenje i održavanje filtera

Pre čišćenja ili zamene filtera, obavezno isključite usisivač iz napajanja.

Cilindar filtera i njegov držač nisu otporni na pranje u mašini za sudove.

Cilindar filtera

Čistite cilindar filtera svaka 2 meseca.

- 1 Isključite usisivač i skinite crevo.
- 2 Pritisnite dugme za otpuštanje na vrhu drške posude za prašinu da biste otvorili poklopac (1). Otvorite poklopac (2) (Sl. 19).
- 3 Izvadite posudu za prašinu iz usisivača (Sl. 20).
- 4 Podignite kućište cilindra filtera iz posude (Sl. 21).
- 5 Okrenite rukohvat na gornjoj strani kućišta cilindra filtera u smeru suprotnom od kazaljke na satu (1) i izvadite cilindar filtera iz kućišta (2). (Sl. 22)
- 6 Očistite cilindar filtera i kućište isporučenom četkom. Četkajte od vrha filtra na dole, duž rebara filtera (Sl. 23).

Upotrebljavajte samo isporučenu četku. Druge četke mogu oštetiti cilindar filtera.

- 7 Ako unutar kućišta ima prljavštine, onda ispraznite kućište nad korpom za otpatke.
- 8 Ako želite, kućište cilindra filtera možete prati hladnom vodom iz slavine sa malo tečnosti za pranje sudova.
- 9 Ako hoćete da očistite cilindar filtera, operite ga detaljno samo vodom. Za čišćenje cilindra filtera nemojte koristiti sapun, tečno sredstvo za pranje ili bilo koji drugi deterdžent. Ostavite cilindar filtera da se potpuno osuši pre nego što ga vratite u kućište (Sl. 24).
- 10 Vratite cilindar filtera u kućište i okrećite dršku u smeru kazaljke na satu dok cilindar filtera ne sedne na svoje mesto.

Proverite da li je cilindar filtera sigurno pričvršćen u kućištu.

- 11 Vratite kućište s cilindrom filtera u posudu za prašinu.

Filter za zaštitu motora

Očistite stalni filter za zaštitu motora svaki put kada čistite kućište cilindra filtera.

- 1 Izvadite filter za zaštitu motora iz usisivača. Očistite filter tako što ćete istresti prašinu iz njega iznad kante za otpatke (Sl. 25).

Ako je filter za zaštitu motora veoma prljav, možete ga isprati i hladnom vodom iz slavine.

Nemojte koristiti deterdžent niti druga sredstva za čišćenje prilikom čišćenja filtera za zaštitu motora.

- 2 Čvrsto utisnite čisti filter nazad u odeljak za filter kako biste se uverili da je dobro smešten.

Super Clean Air Filter, Super Clean Air HEPA 12 filter ili Ultra Clean Air HEPA 13 filter

Ovaj aparat je opremljen Super Clean Air filterom, Super Clean Air HEPA 12 filterom ili Ultra Clean Air HEPA 13 filterom. Filteri su smešteni u zadnjem delu uređaja.

Napomena: Kako bi se zagarantovalo optimalno skupljanje prašine i performanse usisivača, HEPA filter zamenjujte isključivo originalnim Philips filterom odgovarajućeg tipa (pogledajte poglavlje 'Naručivanje dodataka').

Super Clean Air filter

Super Clean Air filter vazduha filtrira većinu manjih čestica iz izduvnog vazduha pomoću svojih elektrostatički naelektrisanih vlakana.

Super Clean Air filter menjajte na svakih šest meseci. Ovaj filter se ne može prati.

- 1 Izvadite masku filtera (Sl. 26).
- 2 Izvadite stari filter (Sl. 27).

3 Stavite novi filter u usisivač.

4 Ponovo pričvrstite vrh maske filtera i pritiskajte donje uglove sve dok ne legnu na svoje mesto ("ćučete klik") (Sl. 28).

Super Clean Air HEPA 12 filter

Super Clean Air HEPA 12 filter mođe da ukloni 99,5% svih ćestica iz izduvnog vazduha sve do velićine od 0,0003 mm. Ovo ne ukljućuje samo obićnu kućnu prašinu, već i opasne mikroorganizme kao što su grinje i njihov izmet, koji su poznat uzrok alergija disajnih puteva.

Super Clean Air HEPA 12 filter menjajte na svakih šest meseci. Filter se ne mođe prati.

Da biste zamenili Super Clean Air HEPA 12 filter, pratite korake 1-4 iz odeljka 'Super Clean Air filter' u prethodnom tekstu.

Ultra Clean Air HEPA 13 filter sa mogućnoću pranja

Ultra Clean Air HEPA 13 filter mođe da ukloni 99,95% svih ćestica iz izduvnog vazduha sve do velićine od 0,0003 mm. Ovo ne ukljućuje samo obićnu kućnu prašinu, već i opasne mikroorganizme kao što su grinje i njihov izmet, koji su poznat uzrok alergija disajnih puteva.

Ultra Clean Air HEPA 13 filter sa mogućnoću pranja ćistite svakih šest meseci. Ultra Clean Air HEPA 13 filter mođeete oćistiti najviše 4 puta. Nakon 4 ćišćenja, zamenite filter.

1 Izvadite masku filtera (Sl. 29).

2 Izvadite HEPA 13 filter sa mogućnoću pranja (Sl. 30).

3 Isperite rebrastu stranu HEPA 13 filtera pod tankim mlazom tople vode iz ćesme.

- Filter držite tako da rebrasta strane bude okrenuta nagore, a da voda protiće paralelno sa rebrima. Filter držite pod uglom tako da voda spere prljavštinu u rebrima (Sl. 31).
- Okrenite filter za 180° i pustite da voda teće kroz rebra u suprotnom smeru (Sl. 32).
- Nastavite sa ćišćenjem dok filter ne bude ćist.

Filter sa mogućnoću pranja nikada nemojte ćistiti ćetkom (Sl. 33).

Napomena: ćišćenje ne vraća originalnu boju filtera, ali mu vraća moć filtracije.

4 Pažljivo otresite vodu sa površine filtera. Ostavite filter da se suši najmanje 2 sata pre nego što ga vratite u usisivać.

5 Vratite filter u usisivać. Prićvrstite gornji deo rešetke filtera i gurnite donje uglove dok ne legnu na mesto ('klik') (Sl. 34).

Narućivanje dodataka

Ako imate problema sa nabavkom filtera ili drugih dodataka za usisivać, obratite se Philips korisnićkoj podršci u svojoj zemlji ili pogledajte mećunarodni garantni list.

- Philips cilindar filteri su dostupni pod servisnim brojem 4322 005 17520.
- Filteri za super ćist vazduh su dostupni pod tipskim brojem FC8030.
- Super Clean Air HEPA 12 filteri koji se ne mogu prati dostupni su pod tipskim brojem FC8031.
- Ultra Clean Air HEPA 13 filteri koji se mogu prati dostupni su pod tipskim brojem FC8038.

Zaštita okoline

- Aparat koji se više ne mođe upotrebljavati nemojte da odlažete u kućni otpad, već ga predajte na zvanićnom mestu prikupljanja za reciklažu. Tako ćete doprineti zaštiti okoline (Sl. 35).

Garancija i servis

Ako su vam potrebne informacije ili imate neki problem, posetite Philips web-stranicu na adresi www.philips.com ili se obratite Philips korisničkoj podršci u svojoj zemlji (broj telefona možete pronaći na međunarodnom garantnom listu). Ako u vašoj zemlji ne postoji predstavništvo, obratite se ovlašćenom prodavcu ili servisnom odeljenju Philips Domestic Appliances and Personal Care BV.

Rešavanje problema

Ovo poglavlje sumira najuobičajenije probleme sa kojima se možete suočiti prilikom upotrebe aparata. Ukoliko niste u mogućnosti da rešite određeni problem sa informacijom datom ispod, kontaktirajte Centar za brigu o potrošačima u svojoj zemlji.

1 Jačina usisavanja nije dovoljna.

- Proverite da li je dugme za jačinu usisavanja u položaju za maksimalno usisavanje.
- Proverite da li je cilindar filtera pun prljavštine.

Ako je potrebno, očistite kućište cilindra filtera.

- Proverite da li ostali filteri treba da se očiste ili zamene.
- Proverite da li je indikator blokiranosti promenio boju. Ako jeste, mlaznica, cev ili crevo su možda blokirani. (Sl. 36)

Da biste uklonili prepreku, skinite blokirani deo i priključite ga (ukoliko je to moguće) naopako. Uključite usisivač da biste proterali vazduh kroz blokirani deo u suprotnom smeru.

2 Uređaj ne može da se uključi.

- Proverite da li je kućište cilindra filtera, sa cilindrom filtera u sebi, stavljeno u posudu za prašinu.

Загальний опис (Мал. 1)

- A** Ковпак
- B** Кнопка "увімк./вимк."
- C** Ручка потужності всмоктування
- D** Щітка для чищення
- E** Фільтр захисту двигуна
- F** Контейнер для пороху
- G** Кнопка розблокування контейнера для пороху
- H** Корпус фільтрувального циліндра
- I** Фільтрувальний циліндр
- J** З'єднувач шланга
- K** Ручка
- L** Тримач приладдя
- M** Телескопічна трубка
- N** Насадка потрійної дії
- O** Щілинна насадка
- P** Мала насадка (лише в окремих моделях)
- Q** Мала щітка
- R** Фільтр суперчистого повітря, фільтр суперчистого повітря HEPA 12 чи фільтр надзвичайно чистого повітря HEPA 13
- S** Решітка фільтра
- T** Виймка для фіксації
- U** Кнопка змотування шнура

Важлива інформація

Уважно прочитайте цей посібник користувача перед тим, як використовувати пристрій, та зберігайте його для майбутньої довідки.

Небезпечно

- Не використовуйте пристрій для всмоктування води чи іншої рідини. Ніколи не використовуйте для всмоктування вогнебезпечних речовин, а також попелу, поки він не охолоне.

Попередження

- Перед тим, як приєднати пристрій до мережі, перевірте, чи збігається напруга, вказана у таблиці характеристик, із напругою у мережі.
- Не використовуйте пристрій, якщо штекер, шнур живлення або сам пристрій пошкоджено.
- Якщо шнур живлення пошкоджений, для уникнення небезпеки його необхідно замінити, звернувшись до компанії Philips, уповноваженого сервісного центру або фахівців із належною кваліфікацією.
- Цей пристрій не призначено для користування особами (включаючи дітей) з послабленими фізичними відчуттями чи розумовими здібностями, або без належного досвіду та знань, крім випадків користування під наглядом чи за вказівками особи, яка відповідає за безпеку їх життя.
- Дорослі повинні стежити, щоб діти не бавилися пристроєм.
- Не спрямовуйте шланг, трубку чи інше приладдя в очі чи у вуха, а також не беріть їх до рота, коли пилосос увімкнений, а вони під'єднані до нього.

Увага

- Не всмоктуйте великих предметів, бо це може заблокувати прохід повітря по трубі та шлангу.

- Під час використання пилососа для всмоктування попелу, дрібного піску, штукатурки, пилу цементу та подібних речовин, пори фільтрувального циліндра забиваються. Якщо Ви помітите значне зменшення потужності всмоктування, почистіть фільтрувальний циліндр.
- Всмоктування великих предметів може заблокувати прохід повітря у трубці або шлангу. Якщо таке трапляється, індикатор блокування світиться червоним світлом, показуючи, що необхідно усунути перешкоду.
- Ніколи не використовуйте пристрій без фільтра захисту двигуна. Це пошкоджує двигун і зменшує термін роботи пристрою.
- Використовуйте лише фільтрувальний циліндр Philips, що входить у комплект.
- Рівень шуму: Lc = 76 дБ (А).

Електромагнітні поля (ЕМП)

Цей пристрій Philips відповідає усім стандартам, які стосуються електромагнітних полів (ЕМП). Згідно з останніми науковими дослідженнями, пристрій є безпечним у використанні за умов правильної експлуатації у відповідності з інструкціями, поданими у цьому посібнику користувача.

Підготовка до використання

Шланг

- 1** Щоб під'єднати шланг, вставте його в отвір на корпусі пристрою і натисніть до клацання (Мал. 2).
- 2** Щоб від'єднати шланг, натисніть кнопки розблокування і витягніть його з пристрою (Мал. 3).

Телескопічна трубка

- 1** Щоб під'єднати трубку до ручки шланга, натисніть на ручці кнопку фіксації і вставте ручку в трубку. Пружинна кнопка фіксації повинна зафіксуватися в отворі на трубці до клацання (Мал. 4).
- 2** Щоб від'єднати трубку від ручки, натисніть пружинну кнопку фіксації та витягніть ручку з трубки.

Таким самим чином можна приєднувати та від'єднувати насадки.

- 3** Відрегулюйте довжину трубки, яка буде найзручнішою під час прибирання (Мал. 5).

Насадка потрійної дії

Насадка потрійної дії - це універсальна насадка для килимів та твердих підлог.

- Бокові щітки вловлюють більше пороху та бруду по боках насадки, а також дозволяють краще чистити, минаючи меблі та інші перешкоди (Мал. 6).
- Отвір спереду насадки дозволяє ефективно всмоктувати великі частинки (Мал. 7).

- 1** Для прибирання твердих підлог посуňte ногою кулісний перемикач у верхній частині насадки (Мал. 8).
 - ▶ Стрічка щітки для твердих підлог виходить із корпусу насадки. Для запобігання подряпинам та підвищення маневреності водночас піднімається колесо.
- 2** Для чищення килимів посуňte кулісний перемикач знову (Мал. 9).
 - ▶ Стрічка щітки ховається у корпусі насадки. Колесо опускається автоматично.

Щілинна насадка, мала насадка і мала щітка

- 1** Під'єднайте щілинну насадку (1) та малу насадку (лише окремі моделі) (2) чи малу щітку (3) безпосередньо до ручки чи трубки (Мал. 10).

Тримач приладдя

1 Зафіксуйте тримач приладдя на ручці (Мал. 11).

2 Зафіксуйте два приладдя на ручці:

- Щілинна насадда та мала насадда (Мал. 12).

Примітка: Перевірте, чи отвір всмоктування малої насадки повернутий в іншу сторону від тримача.

- Щілинна насадда та мала щітка (Мал. 13).

Примітка: Перевірте, чи отвір всмоктування малої щітки повернутий в сторону до тримача.

Застосування пристрою

1 Витягніть шнур живлення з порохотяга та увімкніть штепсель у розетку на стіні.

2 Увімкніть пристрій, натиснувши ногою кнопку “увімк./вимк.” на верхній частині пристрою (Мал. 14).

3 Під час прибирання потужність всмоктування можна регулювати за допомогою регулятора на верхній частині пристрою (Мал. 15).

- Використовуйте максимальну потужність для чищення дуже брудних килимів та твердих поверхонь.
- Мінімальну потужність застосовуйте для чищення занавісок, настільних серветок тощо.

4 Якщо Ви бажаєте призупинити роботу, вставте виступ на насадці у виїмку для фіксації, щоб поставити трубку у зручному положенні (Мал. 16).

Зберігання

1 Вимкніть пристрій та витягніть штепсель із розетки.

2 Натисніть кнопку змотування шнура, щоб змотати шнур живлення (Мал. 17).

3 Вставте виступ на насадці у виїмку для фіксації, щоб під'єднати насадку до пристрою. Зберігайте пристрій у горизонтальному положенні, щоб усі коліщата торкалися підлоги (Мал. 16).

4 Під час зберігання пристрою завжди встановлюйте насадку потрібної дії у положення для чищення килимів. Намагайтеся не загинати бокові щітки (Мал. 9).

Спорожнення контейнера для пороху

Завжди від'єднуйте пристрій від мережі перед тим, як повторно спорожнити контейнер для пороху.

Контейнер для пороху не можна мити у посудомийній машині.

- Спорожнюйте контейнер для пороху, тільки-но рівень пороху досягне диску на корпусі фільтрувального циліндра (Мал. 18).

1 Вимкніть пристрій і зніміть шланг.

2 Натисніть кнопку розблокування на верхній частині ручки контейнера для пилу (1), щоб розблокувати кришку. Відкрийте кришку (2). (Мал. 19)

3 Витягніть контейнер для пилу з пристрою (Мал. 20).

4 Тримачи контейнер для пороху над смітником, витягніть корпус фільтрувального циліндра. Спорожніть контейнер (Мал. 21).

- 5 За бажанням, контейнер для порошу можна чистити під холодною водою з-під крану з використанням миючого засобу.
- 6 Встановіть корпус фільтрувального циліндра назад у контейнер для порошу, а контейнер - у пристрій.
- 7 Щільно закрийте кришку до фіксації.

Завжди встановлюйте корпус фільтрувального циліндра назад у контейнер для пилу, інакше пристрій не увімкнеться.

Чищення та догляд за фільтрами

Завжди від'єднуйте пристрій від мережі перед тим, як чистити чи заміняти фільтри.

Фільтрувальний циліндр та корпус фільтрувального циліндра не можна мити в посудомийній машині.

Фільтрувальний циліндр

Чистіть фільтрувальний циліндр кожні 2 місяці.

- 1 Вимкніть пристрій і зніміть шланг.
- 2 Натисніть кнопку розблокування на верхній частині ручки контейнера для пилу (1), щоб розблокувати кришку. Відкрийте кришку (2) (Мал. 19).
- 3 Витягніть контейнер для пилу з пристрою (Мал. 20).
- 4 Вийміть корпус фільтрувального циліндра з контейнера (Мал. 21).
- 5 Поверніть ручку вгору фільтрувального циліндра проти годинникової стрілки (1) і витягніть фільтрувальний циліндр із корпусу (2). (Мал. 22)
- 6 Чистіть фільтрувальний циліндр і корпус щіткою, що додається. Чистіть згори донизу вздовж ребер фільтра (Мал. 23).

Використовуйте лише щітку, що додається. Інші щітки можуть пошкодити фільтрувальний циліндр.

- 7 Якщо на внутрішній стороні корпусу є бруд, спорожніть його над смітником.
- 8 За бажанням, корпус фільтрувального циліндра можна почистити під холодною водою з-під крану з використанням миючого засобу.
- 9 Якщо існує потреба помити фільтрувальний циліндр, зробіть це за допомогою лише води. Для чищення фільтра не можна використовувати мила, миючих засобів чи інших засобів. Перед тим, як вставити фільтрувальний циліндр у корпус, дайте йому добре висохнути (Мал. 24).
- 10 Вставте фільтрувальний циліндр назад у корпус і поверніть ручку за годинниковою стрілкою, щоб зафіксувати фільтрувальний циліндр.

Фільтрувальний циліндр повинен бути надійно зафіксований у корпусі.

- 11 Встановіть корпус із фільтрувальним циліндром назад у контейнер для пилу.

Фільтр захисту двигуна

Чистіть постійний фільтр захисту двигуна щоразу, коли чистите корпус фільтрувального циліндра.

- 1 Зніміть фільтр захисту двигуна з пристрою. Почистіть його, витрусивши пил над відром для сміття (Мал. 25).

102 УКРАЇНСЬКА

Якщо фільтр захисту двигуна дуже брудний, його також можна сполоснути під холодною водою.

Не використовуйте жодних миючих засобів чи інших засобів для чищення фільтра захисту двигуна.

- 2** Щільно затисніть почищений фільтр у відділення фільтру, щоб правильно його зафіксувати.

Фільтр суперчистого повітря, фільтр суперчистого повітря HEPA 12 чи фільтр надзвичайно чистого повітря HEPA 13

Цей пристрій обладнано фільтром суперчистого повітря, фільтром суперчистого повітря HEPA 12 чи фільтром надзвичайно чистого повітря HEPA 13. Ці фільтри розташовані у задній стороні пристрою.

Примітка: Щоб забезпечити роботу пилососа, завжди замінійте фільтр оригінальним фільтром Philips відповідного типу (див. розділ “Замовлення приладу”).

Фільтр суперчистого повітря

Фільтр суперчистого повітря фільтрує майже всі малі частинки з повітря, що виходить, за допомогою електростатично заряджених волокон.

Заміняйте фільтр суперчистого повітря кожні шість місяців. Цей фільтр не можна мити.

- 1** Зніміть решітку фільтра (Мал. 26).
- 2** Зніміть старий фільтр (Мал. 27).
- 3** Вставте новий фільтр у пристрій.
- 4** Закріпіть верхню частину решітки фільтра і натисніть на нижні кути до фіксації (Мал. 28).

Фільтр Super Clean Air HEPA 12

Фільтр суперчистого повітря HEPA 12 усуває 99,5% усіх частинок розміром до 0,0003 мм - не тільки звичайний побутовий пил, але й шкідливих мікроскопічних паразитів, таких як кліщі та їх екскременти, що спричиняють різні респіраторні алергії.

Заміняйте фільтр Super Clean Air HEPA 12 кожні шість місяців. Цей фільтр не можна мити.

Щоб замінити фільтр суперчистого повітря HEPA 12, виконайте кроки 1-4 з розділу “Фільтр суперчистого повітря” вище.

Фільтр Ultra Clean Air HEPA 13, який можна мити

Фільтр надзвичайно чистого повітря HEPA 13 усуває 99,95% усіх частинок розміром до 0,0003 мм - не тільки звичайний побутовий пил, але й шкідливих мікроскопічних паразитів, таких як кліщі та їх екскременти, що спричиняють різні респіраторні алергії.

Чистіть фільтр Ultra Clean Air HEPA 13, який можна мити, кожні шість місяців. Чистити цей фільтр можна щонайбільше 4 рази. Після чотирьох чишень фільтр потрібно замінити.

- 1** Зніміть решітку фільтра (Мал. 29).
- 2** Вийміть фільтр HEPA 13, який можна мити (Мал. 30).
- 3** Сполосніть гофровану частину фільтра HEPA 13 під гарячим повільним струменем води з-під крана.
 - Тримайте фільтр так, щоб гофрована частина була напрямлена вгору, а вода стікала паралельно до складок. Тримайте фільтр під таким кутом, щоб вода вимивала частинки бруду зі складок (Мал. 31).
 - Поверніть фільтр на 180°, щоб вода стікала вздовж складок у протилежному напрямку (Мал. 32).
 - Робіть це, поки фільтр не буде чистим.

Не чистіть фільтр, який можна мити, за допомогою щітки (Мал. 33).

Примітка: Чищення не відновлює кольору фільтра, але сприяє відновленню потужності його фільтрації.

- 4** Обережно струсіть воду з поверхні фільтра. Перед тим, як встановити фільтр назад у пилосос, посушіть його принаймні 2 години.
- 5** Вставте фільтр назад у пристрій. Закріпіть верхню частину решітки фільтра і натисніть на нижні кути до фіксації (Мал. 34).

Замовлення приладь

Якщо у Вас виникли проблеми з замовленням фільтрів чи іншого приладдя для приладу, будь-ласка, звертайтеся до Центру обслуговування клієнтів Philips у Вашій країні або за номером телефону з гарантійного талона.

- Фільтрувальні циліндри Philips можна замовити за сервісним номером 4322 005 17520.
- Номер типу для фільтрів Super Clean FC8030.
- Фільтри Super Clean Air HEPA 12, які не можна мити, доступні за номером FC8031.
- Фільтри Super Clean Air HEPA 13, які можна мити, доступні за номером FC8038.

Навколишнє середовище

- Не викидайте пристрій разом зі звичайними побутовими відходами, а здавайте його в офіційний пункт прийому для повторної переробки. Таким чином Ви допоможете захистити довкілля (Мал. 35).

Гарантія та обслуговування

Якщо Вам необхідна інформація або у Вас виникла проблема, відвідайте веб-сторінку компанії Philips www.philips.com або зверніться до Центру обслуговування клієнтів компанії Philips у Вашій країні (телефон можна знайти на гарантійному талоні). Якщо у Вашій країні немає Центру обслуговування клієнтів, зверніться до місцевого дилера або у відділ технічного обслуговування компанії Philips Domestic Appliances and Personal Care BV.

Усунення несправностей

У цьому розділі зведено основні проблеми, які можуть виникнути під час використання пристрою. Якщо Ви не в змозі вирішити проблему за допомогою інформації, поданої нижче, зверніться до Центру обслуговування клієнтів Philips у Вашій країні.

1 Недостатня потужність усмоктування.

- Перевірте, чи ручку регулювання потужності встановлено у максимальне положення.
- Перевірте, чи фільтрувальний циліндр не заповнений брудом.

Якщо потрібно, почистіть фільтрувальний циліндр.

- Перевірте, чи не потрібно почистити або замінити інші фільтри.
- Перевірте, чи індикатор блокування змінив колір. Якщо індикатор змінив колір, тоді насадка, трубка або шланг заблоковані. (Мал. 36)

Щоб усунути перешкоду, від'єднайте деталь, що забилася, і (якщо це можливо) приєднайте її іншим кінцем. Увімкніть пилосос, щоб повітря "прочистило" деталь у зворотному напрямку.

2 Пристрій не вмикається.

- Перевірте, чи корпус із фільтрувальним циліндром встановлені у контейнер для пилу належним чином.

٢ أخرجي فلتر HEPA 13 القابل للغسيل (شكل ٣٠).

- ٣ اشطفي الجانب المجدد من فلتر HEPA 13 تحت صنوبر الماء الجاري الساخن البطني.
- أمسكي الفلتر بحيث يكون الجانب المجدد مشيراً للأعلى ويتدفق الماء في محاذة التجاعيد. أمسكي الفلتر بزواوية حتى يقوم الماء بإزالة الأوساخ المتراكمة في التجاعيد (شكل ٣١).
- أدبري الفلتر ١٨٠ درجة ودعي الماء يتدفق على طول التجاعيد في الاتجاه المعاكس (شكل ٣٢).
- استمري في هذه العملية حتى يصبح الفلتر نظيفاً.

لا تقومي أبداً بتنظيف الفلتر القابل للتنظيف بالفرشاة (شكل ٣٣).

ملاحظة: لا يساعد التنظيف على استعادة اللون الأصلي للفلتر، لكنه يساعد على استعادة قوة الترشيح.

- ٤ قومي بهز الماء بحرص من على سطح الفلتر. اتركي الفلتر لمدة ساعتين تقريباً حتى يجف قبل وضعه مرة أخرى في المكنسة الكهربائية.

- ٥ ركبى الفلتر مرة أخرى في الجهاز. أعيدي تركيب الجزء العلوي من شبكة الفلتر وقومي بدفع زوايا القاع حتى تستقر في المكان المخصص لها ("نقرة") (شكل ٣٤).

طلب الملحقات

إذا واجهتك أية صعوبة في الحصول على الفلاتر أو الملحقات الأخرى الخاصة بالجهاز، يرجى الاتصال بمركز رعاية عملاء Philips في بلدك أو الاستعانة بكتيب الضمان العالمي.

- تتوفر اسطوانات فلاتر Philips تحت رقم الخدمة 4322 005 17520.
- تتوافر فلاتر الهواء النظيف جداً تحت رقم الطراز FC8030.
- تتوافر فلاتر الهواء النظيف جداً HEPA 12 غير القابلة للغسيل تحت رقم الطراز FC8031.
- تتوافر فلاتر HEPA 13 لهواء فائق النقاء القابلة للغسيل تحت رقم الطراز FC8038.

البيئة

- لا تتخلصي من الجهاز مع مخلفات المنزل العادية عند نهاية فترة استخدامه، لكن قومي بتسليمه إلى نقطة تجميع رسمية لإعادة تدويره. تساعدين من خلال القيام بهذا الإجراء في الحفاظ على البيئة (شكل ٣٥).

الضمان والصيانة

إذا كنت في حاجة إلى المعلومات أو إذا واجهتك أي مشكلة، يرجى زيارة الموقع الإلكتروني الخاص بشركة Philips على www.Philips.com أو اتصلي بمركز رعاية عملاء Philips في بلدك (ستجدين رقم الهاتف الخاص به في كتيب الضمان العالمي). في حالة عدم وجود مركز خدمة عملاء في بلدك، توجهي إلى موزع Philips المحلي الخاص بك أو اتصلي بقسم صيانة أجهزة Philips المنزلية أو الرعاية الشخصية BV.

دليل حل المشكلات

يلخص هذا الفصل المشاكل العامة التي يمكن أن تواجهينها مع استخدام الجهاز. في حالة تعذر حل المشكلة باستخدام المعلومات الموضحة أدناه، يرجى الاتصال بمركز خدمة العملاء في بلدك.

١ قوة الشفط غير كافية.

- افحصي مفتاح قوة الشفط القرصي للتأكد من ضبطه على مستوى الحد الأقصى لقوة الشفط.
- تحققي من امتلاء اسطوانة الفلتر بالأوساخ.
- وعند الضرورة، قومي بتنظيف اسطوانة الفلتر.
- تحققي من مدى حاجة الفلاتر الأخرى إلى التنظيف أو الاستبدال.
- تحقق من تغير لون مؤشر الانسداد. وإذا كان لونه قد تغير، يمكن أن يكون هناك انسداد في الفوهة أو الأنبوب أو الخرطوم. (شكل ٣٦)
- فكّي القطعة المسدودة (بأسرع ما يمكن) لإزالة العائق ثم ركبها بشكل عكسي. شغلي المكنسة الكهربائية حتى يتدفق الهواء في الاتجاه العكسي في القطعة المسدودة.

٢ لا يمكن تشغيل الجهاز.

- تحققي مما إذا كان قد تم إدخال علبة اسطوانة الفلتر مع اسطوانة الفلتر بها في وعاء الغبار.

استخدمي الفرشاة المزودة مع الجهاز فقط. حيث أن استخدام فرش من أنواع أخرى قد يتسبب في إتلاف اسطوانة الفلتر.

٧ إذا كانت هناك أوساخ داخل العلبة، قومي بتفريغها في صندوق القمامة.

٨ يمكنك تنظيف علبة اسطوانة الفلتر باستخدام ماء الصنبور البارد وبعضاً من سائل التنظيف إذا كنت ترغبين في ذلك.

٩ إذا كنت تريد أن تغسل اسطوانة الفلتر، فقم بغسلها جيداً باستخدام الماء فقط. لا تستخدمى الصابون أو سائل التنظيف أو المنظفات الأخرى في تنظيف الفلتر. اتركي اسطوانة الفلتر لتجف تماماً قبل إدخالها في العلبة (شكل ٢٤).

١٠ أعيدي وضع اسطوانة الفلتر في الحقيبة وقومي بإدارة المقبض في اتجاه عقارب الساعة حتى تثبت اسطوانة الفلتر في المكان المخصص لها.

تأكدى من أن اسطوانة الفلتر مثبتة بإحكام في العلبة.

١١ أعيدي وضع علبة اسطوانة الفلتر مع اسطوانة الفلتر مرة أخرى في وعاء الغبار.

فلتر حماية الموتور

قومي بتنظيف فلتر حماية الموتور الدائم في كل مرة تقومين فيها بتنظيف علبة اسطوانة الفلتر.

١ أخرجي فلتر حماية الموتور من الجهاز. نظفي الفلتر عن طريق النقر عليه فوق صندوق قمامة لإخراج الغبار منه (شكل ٢٥). إذا كان فلتر حماية الموتور شديد الاتساع، يمكنك أيضاً شطفه بالماء البارد من الصنبور.

لا تستخدمى سائل التنظيف أو أي أدوات تنظيف أخرى في تنظيف فلتر حماية الموتور.

٢ اضغطي على الفلتر التنظيف بقوة لإعادته إلى حجرة الفلتر لضمان تركيبه في المكان المخصص له بالشكل الملائم.

فلتر الهواء فائق النقاء، أو الفلتر HEPA 12 لهواء فائق النقاء أو الفلتر HEPA 13 لهواء فائق النقاء

هذا الجهاز مزود إما بفلتر الهواء فائق النقاء، أو فلتر HEPA 12 لهواء فائق النقاء أو بفلتر HEPA 13 لهواء شديد النظافة. هذه الفلاتر مثبتة في الجزء الخلفي من الجهاز.

ملاحظة: لضمان المستوى الأمثل من احتجاز الغبار وأداء المكنسة الكهربائية، احرصي دائماً على استبدال الفلتر بأخر أصلي من Philips من النوع الملائم (انظري فصل "طلب الملحقات").

فلتر الهواء فائق النقاء

تقوم فلاتر الهواء فائق النقاء بترشيح جزء كبير من الجزيئات الضئيلة من هواء العادم من خلال الألياف المشحونة بالكهرباء السكنونية. استبدلي فلتر الهواء شديد النقاء كل ستة أشهر. هذا الفلتر غير قابل للغسيل.

١ فكي شبكية الفلتر (شكل ٢٦).

٢ فكي الفلتر القديم (شكل ٢٧).

٣ أدخل الفلتر الجديد في الجهاز.

٤ أعيدي تركيب الجزء العلوي من شبكة الفلتر وقومي بدفع زوايا القاع حتى تستقر في المكان المخصص لها ("نقرة") (شكل ٢٨).

فلتر HEPA 12 لهواء نظيف جداً

يمكن للفلتر HEPA 12 لهواء نظيف جداً أن يقوم بإزالة ٩٩,٥٪ من الجزيئات التي يقل حجمها عن ٠,٠٠٠٣ مم من فتحة خروج الهواء. لا يقتصر ذلك على غبار المنزل العادي، ولكنه يشمل أيضاً الميكروبات الدقيقة الضارة مثل سوس الغبار وفضلاته، والتي تمثل أسباباً معروفة لحساسية الصدر.

استبدلي فلتر HEPA 12 لهواء نظيف جداً كل ستة أشهر. هذا الفلتر غير قابل للغسيل.

ولاستبدال فلتر الهواء فائق النقاء HEPA 12، اتبعي الخطوات من ١ إلى ٤ من القسم زفلتر الهواء فائق النقاء س أعلاه.

فلتر HEPA 13 لهواء فائق النظافة القابل للغسيل

يمكن للفلتر HEPA 13 لهواء فائق النقاء أن يقوم بإزالة ٩٩,٩٥٪ من الجزيئات التي يقل حجمها عن ٠,٠٠٠٣ مم من فتحة خروج الهواء. لا يقتصر ذلك على غبار المنزل العادي، ولكنه يشمل أيضاً الميكروبات الدقيقة الضارة مثل سوس الغبار وفضلاته، والتي تمثل أسباباً معروفة لحساسية الصدر.

قومي بتنظيف فلتر HEPA 13 لهواء فائق النظافة كل ٦ أشهر. يمكنك تنظيف فلتر HEPA 13 لهواء فائق النظافة ٤ مرات بحد أقصى.

استبدلي الفلتر بعد تنظيفه ٤ مرات.

١ فكي شبكية الفلتر (شكل ٢٩).

- استخدم الحد الأقصى من قوة الشفط لتنظيف السجاد شديد الاتساخ والأرضيات الصلبة.
 - استخدم الحد الأدنى من قوة الشفط لتنظيف الستائر ومفارش المناضد...إلخ.
- 4 إذا كنت ترغبين في التوقف المؤقت للحظة، أدخلي الهواء الموجود بالفوهة في فتحة التخزين لإيقاف الأنبوب في الوضع الملائم (شكل ١٦).

التخزين

- 1 أوقف تشغيل الجهاز وانزعي قابس المأخذ الرئيسي من مقبس الحائط.
- 2 اضغط على زر الخاص بإعادة لف سلك المأخذ الرئيسي (شكل ١٧).
- 3 أدخل الهواء الموجود على الفوهة في فتحة التخزين لتوصيل الفوهة بالجهاز. خزن الجهاز في وضع أفقي بحيث تكون جميع العجلات ملاصقة للأرضية (شكل ١٦).
- 4 احرصي دائماً على وضع الفوهة ثلاثية المفعول في إعداد تنظيف السجاد عند تخزينها. لا تسمحي أيضاً بانثناء الفرشاة الجانبية (شكل ٩).

تفريغ وعاء الغبار

احرصي دائماً على فصل التيار الكهربائي عن الجهاز قبل تفريغ وعاء الغبار.

لا تنظفي وعاء الغبار في غسالة الأطباق.

- قومي بتفريغ وعاء الغبار بمجرد وصول مستوى الغبار إلى مستوى القرص الدائري في علبة اسطوانة الفلتر (شكل ١٨).
- 1 أوقف تشغيل الجهاز وافصلي الخرطوم.
 - 2 اضغط على زر الإطلاق الموجود أعلى مقبض وعاء الغبار لفتح الغطاء (١). قومي بأرجحة الغطاء حتى يتم فتحه (٢). (شكل ١٩)
 - 3 ارفعي وعاء الغبار إلى خارج الجهاز (شكل ٢٠).
 - 4 امسكي بوعاء الغبار أعلى صندوق القمامة ثم ارفعي علبة اسطوانة الفلتر إلى خارج الوعاء. قومي بتفريغ الوعاء (شكل ٢١).
 - 5 يمكنك تنظيف وعاء الغبار باستخدام ماء الصنبور البارد وبعضاً من سائل التنظيف إذا كنت ترغبين في ذلك.
 - 6 أعيدي تركيب علبة اسطوانة الفلتر في وعاء الغبار ثم ضعي وعاء الغبار مرة أخرى في الجهاز.
 - 7 قم بإغلاق الغطاء بإحكام ("نقرة").
- احرصي دوماً على إعادة علبة اسطوانة الفلتر إلى وعاء الغبار وإلا فلن تتمكني من تشغيل الجهاز.

تنظيف وصيانة الفلاتر

احرصي دائماً على فصل التيار الكهربائي عن الجهاز قبل تنظيف أو استبدال الفلاتر.

لا يمكنك تنظيف اسطوانة الفلتر وعلبة اسطوانة الفلتر في غسالة الأطباق.

اسطوانة الفلتر

- قومي بتنظيف اسطوانة الفلتر كل شهرين.
- 1 أوقف تشغيل الجهاز وافصلي الخرطوم.
 - 2 اضغط على زر الإطلاق الموجود أعلى مقبض وعاء الغبار لفتح الغطاء (١). قومي بأرجحة الغطاء حتى يتم فتحه (٢). (شكل ١٩).
 - 3 ارفعي وعاء الغبار إلى خارج الجهاز (شكل ٢٠).
 - 4 ارفعي علبة اسطوانة الفلتر إلى خارج الوعاء (شكل ٢١).
 - 5 أدبري المقبض الموجود أعلى علبة اسطوانة الفلتر في عكس اتجاه عقارب الساعة (١) وقومي برفع اسطوانة الفلتر إلى خارج العلبة (٢). (شكل ٢٢)
 - 6 نظفي اسطوانة الفلتر والعلبة باستخدام الفرشاة المزودة. استخدم الفرشاة لتنظيف الفلتر من أعلى لأسفل على طول أضلاع الفلتر (شكل ٢٣).

الحقول الكهرومغناطيسية (EMF)

هذا الجهاز من Philips متوافق مع كافة المعايير المتعلقة بالحقول الكهرومغناطيسية (EMF). يعد استخدام هذا الجهاز آمناً إذا استخدم بشكل صحيح حسب التعليمات الواردة في دليل المستخدم هذا، وذلك حسب الدلائل العلمية المتوفرة اليوم.

التجهيز للاستخدام

الخطوط

١ لتوصيل الخطوط، ادفعه بقوة في الجهاز ("نقرة") (شكل ٢).

٢ لفصل الخطوط، اضغط على زر الإطلاق وانزع الخطوط إلى خارج الجهاز (شكل ٣).

الأنبوب التلسكوبي

١ لتوصيل الأنبوب بالمقبض اليدوي للخطوط، اضغط على زر القفل المحمل بزنبك الواقع على المقبض اليدوي ثم أدخل المقبض اليدوي في الأنبوب. ثبتي زر القفل المحمل بزنبك في فتحة الأنبوب ("نقرة") (شكل ٤).

٢ لفصل الأنبوب عن المقبض اليدوي، اضغط على زر القفل المحمل بزنبك ثم اسحب المقبض اليدوي إلى خارج الأنبوب. اتبعي الطريقة ذاتها لتوصيل وفك الفوهات.

٣ اضبطي الأنبوب على الطول المناسب لك أثناء عملية التنظيف باستخدام المكنسة الكهربائية (شكل ٥).

فوهة الخطوط ثلاثية المفعول

الفوهة ثلاثية المفعول هي فوهة متعددة الأغراض مخصصة لتنظيف السجاد والأرضيات الصلبة.

- تلتقط الفرش الجانبية المزيد من الغبار والأوساخ على جوانب الفوهة وتمكنك من التنظيف بشكل أفضل بالنسبة للأثاث والأشياء الأخرى صعبة التنظيف (شكل ٦).
- تسمح لك الفتحة الموجودة في مقدمة الفوهة بشفط الجزيئات الأكبر حجماً (شكل ٧).

١ لتنظيف الأرضيات الصلبة، ادفعي بإحدى قدمي المفتاح الهزاز الموجود أعلى الفوهة (شكل ٨). يخرج شريط الفرشاة الخاص بتنظيف الأرضيات الصلبة من المبيت. وفي نفس الوقت سيتم رفع العجلة لمنع الخدوش ولزيادة القدرة على المناورة.

٢ لتنظيف السجاد، ادفعي المفتاح الهزاز مرة أخرى (شكل ٩). يختفي شريط الفرشاة في مبيت الفوهة ويتم خفض العجلة تلقائياً.

أداة تنظيف المناطق التي يصعب الوصول إليها و فوهة الخطوط الصغيرة و الفرشاة الصغيرة

١ قومي بتوصيل الأداة المجوفة (١)، أو الفوهة الصغيرة (طرز معينة فقط) (٢) أو الفرشاة الصغيرة (٣) بالمقبض اليدوي مباشرة أو بالأنبوب (شكل ١٠).

حاملة الملحقات

١ ركبي حامل الملحقات على المقبض اليدوي (شكل ١١).

٢ ركبي قطعتين من الملحقات في حامل الملحقات.

- الأداة المجوفة والفوهة الصغيرة (شكل ١٢).

ملاحظة: تأكد من أن فتحة الشفط الخاصة بالفوهة الصغيرة تشير إلى خارج الحامل.

- الأداة المجوفة والفرشاة الصغيرة (شكل ١٣).

ملاحظة: تأكد من أن فتحة الشفط الخاصة بالفرشاة الصغيرة تشير في اتجاه الحامل.

استخدام الجهاز

١ اسحبي السلك الكهربائي إلى خارج الجهاز وأدخلي القابس في مقبس الحائط.

٢ اضغط على الزر on/off (التشغيل/إيقاف التشغيل) الواقع أعلى الجهاز لتشغيل الجهاز (شكل ١٤).

٣ أثناء التنظيف بالمكنسة الكهربائية، يمكنك ضبط قوة الشفط باستخدام القرص الواقع أعلى الجهاز (شكل ١٥).

الغطاء	A
زر التشغيل / إيقاف التشغيل	B
مفتاح قوة الشفط	C
فرشاة التنظيف	D
فلتر حماية الموتور	E
وعاء الغبار	F
زر تحرير وعاء الغبار	G
علبة اسطوانة الفلتر	H
اسطوانة الفلتر	I
وحدة توصيل الخرطوم	J
المقبض اليدوي	K
حامل الملحقات	L
الأنبوب التلسكوبي	M
فوهة الخرطوم ثلاثية المفعول	N
الأداة المجوفة	O
فوهة الخرطوم الصغيرة (طرز معينة فقط)	P
الفرشاة الصغيرة	Q
فلتر الهواء فائق النقاء، أو الفلتر HEPA 12 لهواء فائق النقاء أو الفلتر HEPA 13 لهواء فائق النقاء	R
شبكة الفلتر	S
فتحة التخزين	T
زر إعادة لف السلك الكهربائي	U

هام

يرجى قراءة دليل المستخدم هذا بعناية قبل استخدام الجهاز والاحتفاظ به للرجوع إليه في المستقبل.

- خطر
لا تستخدمى الجهاز في شفط الماء أو أي سائل آخر. لا تستخدمى الجهاز على الإطلاق في شفط المواد القابلة للاشتعال ولا الرماد حتى يصبح بارداً.
- تحذير
تأكدى من موائمة مستوى الفولتية الموضح على الجهاز لفولتية مغذيات الكهرباء المحلية قبل توصيل الجهاز بالكهرباء.
لا تستخدمى الجهاز إذا كان السلك الكهربائي أو القابض أو الجهاز نفسه تالفاً.
في حالة تلف سلك التيار الكهربائي، يجب استبداله دوماً عن طريق Philips أو من أي مركز صيانة معتمد منها أو بواسطة أشخاص على نفس الدرجة من التأهيل لتفادي وقوع الخطر.
- هذا الجهاز غير مخصص للاستخدام عن طريق أشخاص يعانون من نقص في القدرات الجسدية أو الحسية أو العقلية (بما في ذلك الأطفال)، أو من نقصهم الخبرة والمعرفة، ما لم تتوفر لهم المراقبة أو تعليمات استعمال الجهاز عن طريق أحد الأشخاص يكون مسؤولاً عن سلامتهم.
- يجب مراقبة الأطفال للتأكد من عدم عبثهم بالجهاز
- لا توجهي الخرطوم أو الأنبوب أو أي ملحقات أخرى نحو العينين أو الأذنين ولا تضعيه في فمك عندما يكون موصلاً بالمكنسة الكهربائية أثناء تشغيلها.
- تنبيه
لا تقومي بشفط الأشياء كبيرة الحجم لأن ذلك قد يؤدي إلى انسداد مجرى الهواء في الأنبوب أو الخرطوم.
- تتعرض اسطوانة الفلتر للانسداد في حالة استخدام الجهاز في شفط الرماد والجرير وغبار الأسمنت وما شابه ذلك من المواد. إذا لاحظت ضعف قوة الشفط بدرجة كبيرة، قومي بتنظيف اسطوانة الفلتر.
- قد يتسبب القيام بشفط أشياء كبيرة الحجم في انسداد مجرى الهواء في الأنبوب أو الخرطوم، وإذا حدث ذلك، يتحول مؤشر الانسداد إلى الضوء الأحمر للإشارة إلى وجود انسداد يجب إزالته.
- لا تستخدمى الجهاز على الإطلاق بدون فلتر حماية الموتور. يؤدي ذلك إلى تلف الموتور وتقليل عمر الجهاز.
- استخدمى اسطوانة الفلتر المزودة مع الجهاز من Philips فقط.
- مستوى الضجيج: LC = 76 ديسيبل (أمبير).

۱ محافظ فیلتر را باز کنید (شکل ۲۹).

۲ فیلتر HEPA قابل شستشو را بیرون بکشید (شکل ۳۰).

- ۳ بخش پلیسه دار فیلتر HEPA 13 را زیر آب گرم که جریان آن ملایم باشد بگیرید.
- فیلتر را به نحوی نگاه دارید که بخش پلیسه دار به طرف بالا قرار گیرد و آب بصورت موازی در پلیسه های جریان پیدا کند. فیلتر را در زاویه ای نگاه دارید که آب گرد و غبار داخل پلیسه ها را هم تمیز نماید (شکل ۳۱).
 - فیلتر را ۱۸۰ درجه بچرخانید و بگذارید تا آب در طول پلیسه های از سمت مخالف جریان یابد (شکل ۳۲).
 - این کار را تا زمانی که فیلتر تمیز شود ادامه دهید.

هرگز فیلتر قابل شستشو را با برس تمیز نکنید (شکل ۳۳).

توجه: تمیز کردن فیلتر رنگ آن را به رنگ اصلی باز نمی گرداند، اما قدرت پاکسازی آن دوباره بازسازی می شود.

۴ با دقت از روی فیلتر را با تکان دادن پاک کنید. قبل از قرار دادن دوباره فیلتر در درون جارو برقی اجازه دهید تا فیلتر حداقل برای ۲ ساعت خشک شود.

۵ کیسه را مجدداً در داخل دستگاه قرار دهید. بالای محافظ فیلتر را دوباره وصل کرده و گوشه های پایین را فشار داده تا در جای خود قرار گیرند ("کلیک") (شکل ۳۴).

سفارش دادن لوازم

- اگر شما در تهیه فیلترها یا سایر لوازم جانبی دستگاه دچار مشکل می باشید، لطفاً با مرکز خدمات مشتریان Philips در کشور خود تماس گرفته یا به جزوه ضمانت جهانی دستگاه مراجعه کنید.
- فیلترهای سیلندری Philips تحت شماره 4322 005 17520 موجود می باشند.
 - فیلترهای های سوپر کلین ایر تحت شماره مدل FC8030 موجود می باشند.
 - فیلترهای های سوپر کلین ایر HEPA 12 تحت شماره FC8031 موجود می باشند.
 - فیلترهای های اولترا کلین ایر HEPA 13 که قابل شستشو بوده تحت شماره FC8038 موجود می باشند.

محیط زیست

- دستگاه را مانند سایر زیاده های خانگی دور نریزید، و آن را در محلهای تعیین شده دور بریزید. با انجام این کار شما به حفظ محیط زیست کمک می کنید (شکل ۳۵).

ضمانت و سرویس

در صورتی که به اطلاعات نیاز داشتید یا با مشکلی مواجه شدید، لطفاً از سایت اینترنتی Philips به نشانی www.philips.com بازدید کرده یا با مرکز مراقبت از مشتری Philips در کشور خود تماس بگیرید (شما می توانید این شماره تلفن را در برگه ضمانت جهانی پیدا کنید). چنانچه در کشور شما مرکز خدمات مشتریان وجود ندارد، به فروشنده لوازم Philips مراجعه نموده یا با بخش لوازم خانگی Philips یا حمایت شخصی وی بی تماس بگیرید.

عیب یابی

این فصل مشکلات معمول که هنگام استفاده از دستگاه با آن مواجه می گردید را بطور خلاصه تشریح می کند. اگر با استفاده از اطلاعات ارائه شده قادر به رفع مشکل نیستید، با مرکز حمایت مشتریان در کشور خود تماس بگیرید.

- ۱ قدرت مکش کافی نیست.
- بررسی کنید که دکمه قدرت مکش در وضعیت حداکثر قرار داشته باشد.
 - بررسی کنید که فیلتر سیلندری گرد و غبار نگرفته باشد.
 - در صورت لزوم، فیلتر سیلندری را تمیز کنید.
 - بررسی کنید که آیا سایر فیلترها نیاز به تمیز شدن یا تعویض نداشته باشند.
 - بررسی کنید که رنگ نشانگر انسداد تغییر نکرده باشد. در صورتی که تغییر رنگ داده باشد، دهانک، لوله یا شیلنگ ممکن است مسدود شده باشند. (شکل ۳۶)
- برای رفع انسداد مورد مسدود شده را باز کرده و از طرف دیگر وصل کنید (تا آنجا که ممکن است). جارو برقی را روشن کنید تا هوا را با فشار به درون مورد مسدود شده در جهت مخالف وارد کنید.
- ۲ دستگاه را نمی توان روشن کرد.
- بررسی کنید که قاب فیلتر سیلندری و فیلتر درون آن در سطل گرد و غبار جا نزنده شده باشد.

فقط از پرس ارائه شده استفاده کنید. سایر برسها ممکن است به فیلتر سیلندری آسیب برسانند.

۷ اگر گرد و غباری در داخل محفظه وجود داشته باشد، محفظه را روی سطل خالی کنید.

۸ در صورت تمایل می توانید فیلتر سیلندری را زیر شیر آب سرد و با استفاده از قدری مایع ظرف شویی تمیز کنید.

۹ اگر مایل به شستن فیلتر سیلندری باشید، آن را فقط بطور کامل با آب بشویید. از مایع ظرف شویی یا هر گونه ماده تمیز کننده دیگر برای تمیز کردن فیلتر استفاده کنید. قبل از جازدن دوباره فیلتر در محفظه اجازه دهید تا کاملاً خشک شود (شکل ۲۴).

۱۰ فیلتر سیلندری را دوباره در قاب قرار داده و دسته آن را در جهت حرکت عقربه های ساعت بچرخانید تا فیلتر سیلندری در محل خود قفل شود.

مطمئن شوید که فیلتر سیلندری محکم در قاب قرار گرفته است.

۱۱ قاب و فیلتر سیلندری را مجدداً درون سطل گرد و غبار قرار دهید.

فیلتر حفاظت موتور

هر بار که محفظه فیلتر سیلندری را تمیز می کنید، قاب فیلتر سیلندری را هم تمیز کنید.

۱ فیلتر حفاظت موتور را از دستگاه بیرون بیاورید. فیلتر را با ضربه زدن به آن روی یک سطل تمیز کنید (شکل ۲۵). اگر محفظه فیلتر خیلی کثیف باشد، شما می توانید آن را هم زیر آب سرد تمیز کنید.

از مایع ظرف شویی یا هر گونه ماده تمیز کننده دیگر برای تمیز کردن فیلترحفاظت از موتور استفاده نکنید!

۲ فیلتر تمیز را محکم در محفظه فیلتر قرار داده و مطمئن شوید که در جای خود قرار گرفته است.

فیلتر سوپر کلین ایر، فیلتر سوپر کلین ایر HEPA 12 یا فیلتر اولترا کلین ایر HEPA 13

این دستگاه مجهز به فیلتر هوای سوپر کلین ایر، فیلتر سوپر کلین ایر HEPA 12 یا فیلتر اولترا کلین ایر HEPA 13 می باشد. این فیلترها در پشت دستگاه قرار گرفته اند.

توجه: جهت تضمین نگهداری گرد و غبار و عملکرد جارو برقی، همیشه فیلتر را با فیلتر اصلی Philips مخصوص مدل مربوطه تعویض کنید (به بخش "سفرارش لوازم جانبی" مراجعه کنید).

فیلتر سوپر کلین ایر

فیلتر هوای تمیز سوپر که در پشت دستگاه قرار گرفته است مقدار زیادی از ذرات ریز را با استفاده از فیبرهای دارای الکتریسیته ساکن خود فیلتر می کند.

فیلتر هوای تمیز سوپر را هر شش ماه یکبار تمیز کنید. این فیلتر قابل شستشو نمی باشد.

۱ محافظ فیلتر را باز کنید (شکل ۲۶).

۲ فیلتر قدیمی را بیرون بکشید (شکل ۲۷).

۳ یک فیلتر نو را در دستگاه جا بزنید.

۴ بالای محافظ فیلتر را دوباره وصل کرده و گوشه های پایین را فشار داده تا در جای خود قرار گیرند ("کلیک") (شکل ۲۸).

فیلتر سوپر کلین ایر HEPA 12

فیلتر سوپر کلین ایر HEPA 12 می تواند تا ۹۹/۵٪ کل ذرات تا اندازه ۰/۰۰۰۳ میلی متر را از هوای خروجی فیلتر نماید. این کار نه تنها شامل گرد و غبار در خانه، بلکه جانوران موذی میکروسکوپی مانند کرم ریز و فضولاتشان که باعث آلرژیهای تنفسی می شوند را هم شامل می شود.

فیلتر سوپر کلین ایر HEPA 12 را هر شش ماه یکبار تعویض کنید. این فیلتر قابل شستشو نمی باشد. برای تعویض فیلتر سوپر کلین ایر HEPA 12، مراحل ۴-۱ بخش "فیلتر سوپر کلین ایر" در بالا را دنبال کنید.

فیلتر اولترا کلین ایر قابل شستشو HEPA 13

فیلتر اولترا کلین ایر HEPA 13 می تواند تا ۹۹/۹۵٪ کل ذرات تا اندازه ۰/۰۰۰۳ میلی متر را از هوای خروجی فیلتر نماید. این کار نه تنها شامل گرد و غبار در خانه، بلکه جانوران موذی میکروسکوپی مانند کرم ریز و فضولاتشان که باعث آلرژیهای تنفسی می شوند را هم شامل می شود.

فیلتر اولترا کلین ایر قابل شستشو HEPA 13 را هر ۶ ماه یکبار تعویض کنید. می توانید فیلتر اولترا کلین ایر HEPA 13 را حداکثر ۴ بار بشویید. فیلتر را بعد از ۴ بار تمیز کردن تعویض کنید.

- از حداکثر قدرت مکش برای تمیز کردن فرشهای بسیار کثیف و کف های سخت استفاده کنید.
 - از قدرت مکش حداقل برای تمیز کردن پرده ها، رومیزی و سایر موارد مشابه استفاده کنید.
- ۹ اگر می خواهید برای مدتی کار را متوقف کنید، می توانید لوله را با وارد کردن لبه دهانک در شکاف پارکینگ در موقعیتی مناسب قرار دهید (شکل ۱۶).

نگهداری

- ۱ دستگاه را خاموش کرده و دوشاخه را از پریز خارج کنید.
- ۲ دکمه جمع کردن سیم را فشار دهید تا سیم برق جمع شود (شکل ۱۷).
- ۳ لبه دهانک را در شکاف پارکینگ وارد کرده تا دهانک را به دستگاه وصل کنید.
- دستگاه را در وضعیت افقی ذخیره کنید و تمامی چرخها روی کف زمین قرار داشته باشند (شکل ۱۶).
- ۴ هنگامی که می خواهید دستگاه را در محلی قرار دهید، همیشه دهانه سه کاره Tri-Active را روی وضعیت فرش قرار دهید. همچنین از خم شدن برسهای کناری جلوگیری بعمل آورید (شکل ۹).

تخلیه سطل گرد و غبار

- همیشه پریز دستگاه را قبل از تخلیه سطل گرد و خاک از دوشاخه بیرون بکشید.
- سطل گرد و خاک را نمی توان در ماشین ظرف شویی شست.
- سطل گرد و غبار را بمحض رسیدن رسیدن درجه گرد و غبار به دیسک گرد قاب سیلندر فیلتر خالی کنید (شکل ۱۸).
- ۱ دستگاه را خاموش کنید و شیلنگ را جدا کنید.
 - ۲ قاب را با فشار دادن دکمه آزاد کردن در بالای دستگیره سطل گرد و خاک آزاد کنید (۱). قاب را با چرخاندن باز کنید (۲). (شکل ۱۹)
 - ۳ درب را از روی دستگاه بردارید (شکل ۲۰).
 - ۴ سطل را روی سطل زباله گرفته و قاب سیلندر فیلتر را از آن خارج کنید. سطل را خالی کنید (شکل ۲۱).
 - ۵ در صورت تمایل می توانید سطل را زیر شیر آب سرد و قدری مایع ظرف شویی تمیز کنید.
 - ۶ قاب فیلتر را مجدداً در سطل قرار داده و سطل را درون دستگاه قرار دهید.
 - ۷ قاب را محکم ببندید ("کلیک").
- همیشه قاب فیلتر سیلندری را همیشه روی سبد قرار دهید. در غیر این صورت دستگاه ممکن است روشن نشود.

تمیز کردن و نگهداری از فیلترها

- همیشه پریز دستگاه را قبل از تمیز کردن یا تعویض فیلترها از دوشاخه بیرون بکشید.
- فیلتر سیلندری و قاب آن را نمی توانید در ماشین ظرف شویی بشویند.

فیلتر سیلندری

- فیلتر سیلندری را هر ۲ ماه یکبار تمیز کنید.
- ۱ دستگاه را خاموش کنید و شیلنگ را جدا کنید.
 - ۲ قاب را با فشار دادن دکمه آزاد کردن در بالای دستگیره سطل گرد و خاک آزاد کنید (۱). قاب را با چرخاندن باز کنید (۲). (شکل ۱۹).
 - ۳ درب را از روی دستگاه بردارید (شکل ۲۰).
 - ۴ قاب فیلتر سیلندری را از سبد بیرون بیاورید (شکل ۲۱).
 - ۵ دستگیره روی قاب فیلتر سیلندری را در خلاف جهت عقربه های ساعت بچرخانید (۱) و فیلتر سیلندری را از محفظه بیرون بکشید (۲). (شکل ۲۲)
 - ۶ فیلتر سیلندری و قاب آن را با برس ارانه شده تمیز کنید. فیلتر را در طول دنده های فیلتر از بالا به پایین برس بزنید (شکل ۲۳).

این دستگاه Philips از کلیه استانداردهای میدان الکترومغناطیسی (EMF) پیروی می کند. در صورت استفاده صحیح و بهره گیری از دستورالعمل های موجود در این دفترچه راهنما، طبق شواهد علمی موجود کنونی، استفاده ایمن از این دستگاه امکان پذیر می باشد.

آماده ساختن دستگاه برای استفاده

شیلنگ

- ۱ برای وصل کردن شیلنگ، آن را محکم در دستگاه جا بزنید (شکل ۲).
- ۲ برای قطع کردن شیلنگ، دکمه آزاد کردن را فشار داده و شیلنگ را از انتهای دستگاه بیرون بکشید (شکل ۳).

لوله تلسکوپی

- ۱ با فشار دادن دکمه فنری ضامن روی دستگیره و وارد کردن دستگیره بداخل لوله، لوله را به دستگیره شیلنگ وصل کنید. دکمه فنری ضامن را درون شکاف لوله محکم کنید (شکل ۴).
- ۲ برای قطع کردن لوله از دستگیره، دکمه فنری ضامن را فشار داده و دستگیره را از لوله بیرون بکشید.
- ۳ لوله را به اندازه طولی که هنگام جارو کردن راحت می باشید تنظیم کنید (شکل ۵).

دهانک سه کاره Tri-Active

- دهانک سه کاره یک دهانک چند منظوره برای انواع فرش و کف های سخت می باشد.
- برسهای کناری گرد و غبار بیشتری را در کناره های دهانک جمع کرده به شما اجازه می دهد تا اثاثیه و سایر موانع را بهتر تمیز کنید (شکل ۶).
 - شکاف جلوی دهانک به شما اجازه می دهد تا ذرات درشت تری را جارو کنید (شکل ۷).

- ۱ برای تمیز کردن کف، سونبچ گهواره ایی واقع در بالای دهانک را با پای خود فشار دهید (شکل ۸).
- نوار برس دار مخصوص تمیز کردن کفهای سخت از محفظه بیرون می آید. در همان حالت چرخ بلند می شود تا از خراشاندن کف جلوگیری بعمل آورده و قدرت مانور را زیاد کنید.
- ۲ برای تمیز کردن موکت و فرش، سونبچ گهواره ای را دوباره فشار دهید (شکل ۹).
- نوار برس دار در محفظه دهانک مخفی شده و چرخ بطور اتوماتیک پایین می آید.

ابزار شکاف، دهانک کوچک و برس کوچک

- ۱ شما می توانید ابزار شکاف و درز (۱) و دهانک کوچک (فقط مدل های خاص) (۲) یا برس کوچک (۳) را مستقیماً به دستگیره یا لوله وصل کنید (شکل ۱۰).

نگهدارنده ابزار

- ۱ گیره لوازم جانبی را روی دستگیره جا بزنید (شکل ۱۱).
- ۲ دو عدد ابزار را در گیره لوازم جانبی جا بزنید.
- ابزار شکاف و درز و دهانک کوچک (شکل ۱۲).
- توجه: دقت کنید که روزنه مکش برس کوچک به طرف گیره باشد.
- ابزار شکاف و درز و برس کوچک (شکل ۱۳).
- توجه: دقت کنید که روزنه مکش برس کوچک به طرف گیره باشد.

استفاده از دستگاه

- ۱ سیم را از دستگاه بیرون بکشید و دوشاخه برق را در پریز بزنید.
- ۲ دکمه روشن/خاموش در بالای دستگاه را برای روشن کردن دستگاه فشار دهید (شکل ۱۴).
- ۳ در حین استفاده از جارو برقی می توانید قدرت مکش را با استفاده از دکمه ایی که در بالای دستگاه قرار دارد، تنظیم کنید (شکل ۱۵).

- A قاب
- B دکمه روشن/خاموش
- C دکمه قدرت مکش
- D برس تمیز کردن
- E فیلتر حفاظت موتور
- F سطل گرد و خاک
- G دکمه آزاد کردن سطل گرد و خاک
- H روکش فیلتر سیلندری
- I فیلتر سیلندری
- J اتصال شیلنگ
- K دست گیره
- L نگهدارنده ابزار
- M لوله تلسکوپي
- N دهانك سه كاره Tri-Active
- O ابزار شكاف
- P دهانك كوچك (فقط مدلهاي خاص)
- Q برس كوچك
- R فیلتر سوپر کلین ایر، سوپر کلین ایر 12 HEPA یا فیلتر اولترا کلین ایر 13 HEPA
- S حفاظ فیلتر
- T شكاف پارک کردن
- U دکمه جمع کردن سیم

مهم

این راهنمای کاربر را قبل از استفاده از دستگاه با دقت بخوانید و آنها را برای مراجعه آینده نگهداری کنید.

خطر

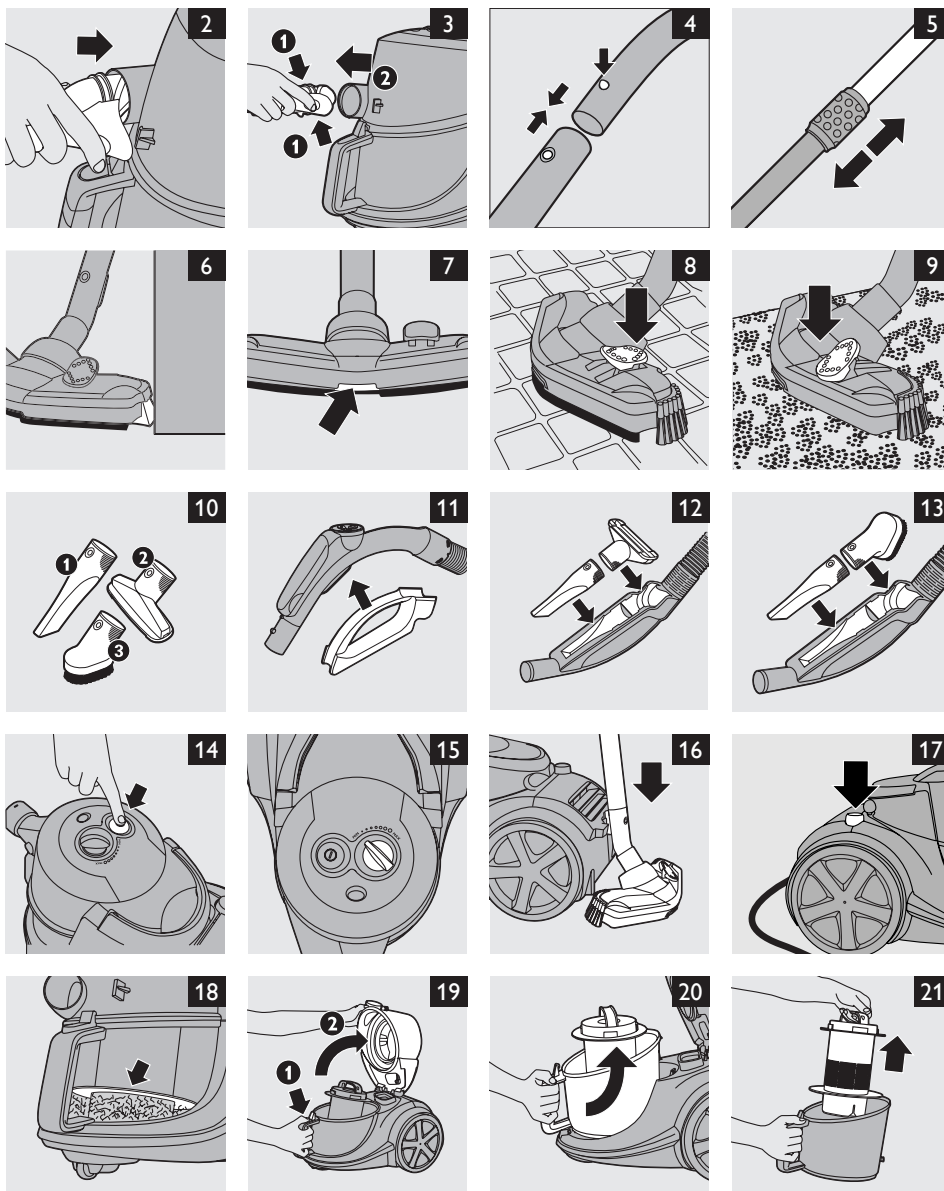
- هرگز آب یا هرگونه مایع دیگر را جارو نکنید. هرگز مواد قابل اشتعال و هرگز خاکستر را تا زمانی که سرد نشده باشد جارو نکنید.

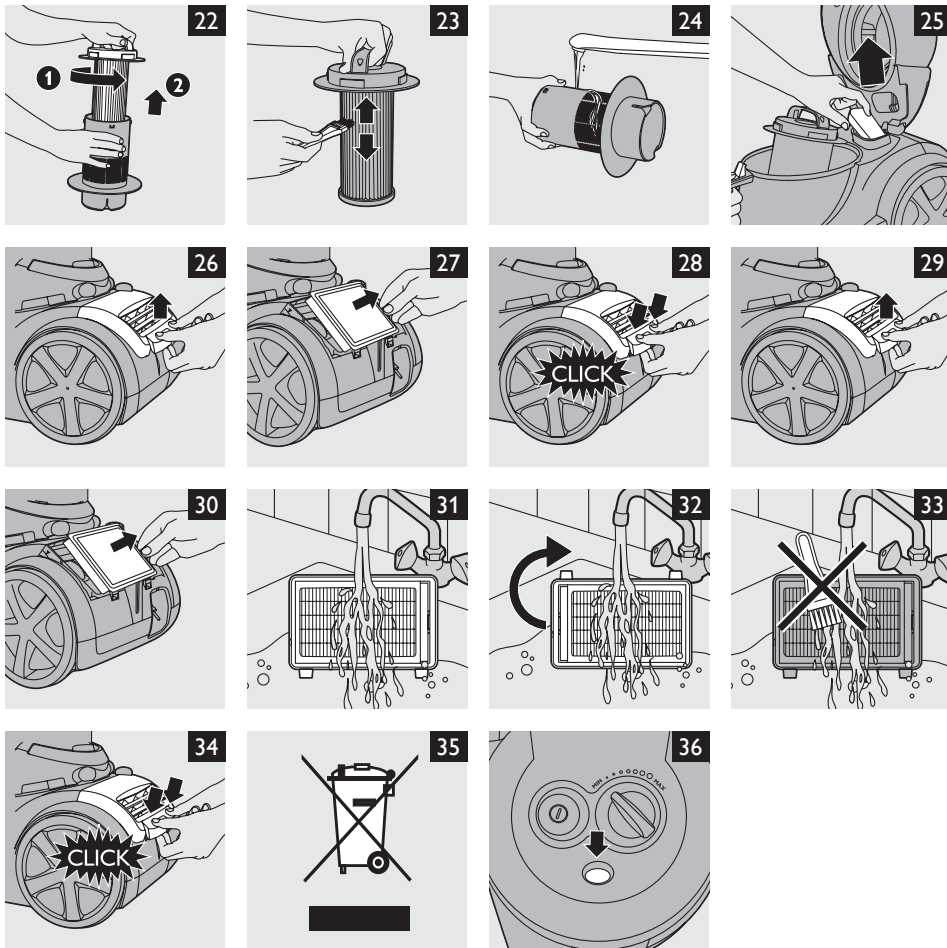
هشدار

- قبل از اتصال دستگاه به برق دقت کنید که ولتاژ مشخص شده روی دستگاه با برق محل هماهنگی داشته باشد.
- در صورتی که سیم و دو شاخه و یا خود دستگاه آسیب دیده باشد از دستگاه استفاده نکنید.
- اگر سیم برق صدمه دیده است، باید آن را شرکت Philips یا مرکز خدمات مجاز توسط شرکت Philips یا افرادی تایید شده دیگری برای اجتناب از ایجاد خطر، تعویض نمایند.
- این دستگاه برای استفاده اشخاصی که دارای وضعیت ضعیف جسمانی (شامل کودکان)، حساسیت یا عقب ماندگی ذهنی و یا عدم داشتن تجربه و درک صحیح از آن هستند نمی باشد، مگر اینکه اینگونه اشخاص تحت آموزش و یا سرپرستی توسط افرادی که مسئولیت حفاظت از آنها را دارند در رابطه با این دستگاه قرار داشته باشند.
- کودکان باید در رابطه با این دستگاه تحت مراقبت باشند و مطمئن شوید که با آن بازی نکنند. اجازه ندهید کودکان بدون نظارت از دستگاه استفاده کنند.
- هنگامی که جارو برقی روشن می باشد و شیلنگ به جارو وصل شده است، شیلنگ یا ابزار را به طرف چشمان یا گوش نگرفته یا آن را در دهان خود نگذارید.

احتیاط


- هرگز اشیاء بزرگ مانند این را جارو نکنید چون باعث مسدود شدن جریان هوا در لوله یا شیلنگ می گردد.
- هنگامی که از دستگاه برای جارو کردن خاکستر، ماسه نرم، آهک، گرد و غبار سیمان و موادی مشابه استفاده می کنید، منافذ ریز فیلتر سیلندری دستگاه مسدود می شود. اگر متوجه کاهش زیاد قدرت مکش شدید، فیلتر سیلندری را تمیز کنید.
- مکش اشیاء بزرگ ممکن است باعث مسدود شدن جریان هوا در لوله یا شیلنگ گردد. در صورت بروز این اتفاق، نشانگر مسدود شدن به رنگ قرمز در خواهد آمد که نشاندهنده این است که انسداد بوجود آمده است و باید رفع گردد.
- هرگز از دستگاه بدون فیلتر حفاظت موتور استفاده نکنید. این کار باعث آسیب رسیدن به موتور گردیده و عمر دستگاه را کوتاه می کند.
- فقط از فیلتر سیلندری Philips ارائه شده در دستگاه استفاده کنید.
- میزان نویز: $Lc = 76 \text{ dB(A)}$







www.philips.com

 100% recycled paper
100% papier recyclé

4222.003.3090.4

Free Manuals Download Website

<http://myh66.com>

<http://usermanuals.us>

<http://www.somanuals.com>

<http://www.4manuals.cc>

<http://www.manual-lib.com>

<http://www.404manual.com>

<http://www.luxmanual.com>

<http://aubethermostatmanual.com>

Golf course search by state

<http://golfingnear.com>

Email search by domain

<http://emailbydomain.com>

Auto manuals search

<http://auto.somanuals.com>

TV manuals search

<http://tv.somanuals.com>