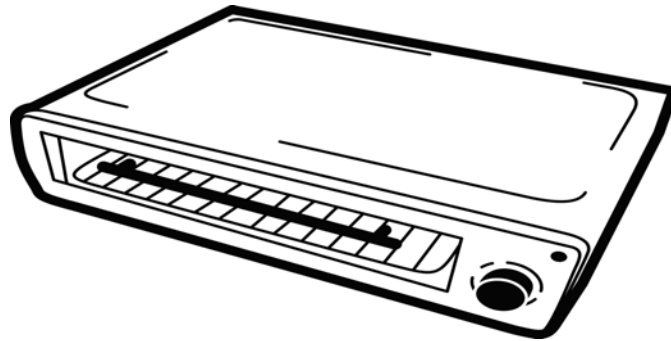


PIZZA OVEN™
PBO-Series



For Household Use Only

Read These Instructions Before Using This Unit!

Save These Instructions!

IMPORTANT PRECAUTIONS

Appliance Specifications:

700 Watts
120V
60HZ

Important Precautions to Remember:

1. NEVER immerse the electrical base, plugs or cord in water.
2. NEVER leave appliance unattended if used near children.
3. NEVER use a scouring pad on the PIZZA OVEN™.
4. NEVER use an abrasive sponge or harsh cleaning products on the PIZZA OVEN™.
5. NEVER use appliance for anything other than what was intended.
6. DO NOT operate this appliance with a damaged cord or plug or in the event the appliance ever malfunctions.
7. DO NOT place dishwasher.
8. CAUTION: Do not touch exterior of PIZZA OVEN™ when baking.
9. Keep out of reach of children.
10. Unplug PIZZA OVEN™ from electrical outlet when not in use and before cleaning.
11. This appliance is NOT A TOY.
12. This appliance is not intended for use by young children or cognitively challenged individuals without supervision.
13. Young children should be supervised to ensure that they do not play with this appliance.

IMPORTANT SAFEGUARDS

When using electrical appliances, basic safety precautions should always be followed, including the following:

READ ALL INSTRUCTIONS before operating this PIZZA OVEN™.

1. **Do not use outdoors, FOR HOUSEHOLD USE ONLY.**
2. This appliance has a polarized outlet only one way. If the plug does not fit fully into the outlet, reverse the plug. If it still does not fit, contact a qualified electrician. Do not attempt to modify the plug in any way.
3. To protect against electrical shock, do not immerse cord, plugs or appliance in water.
4. NEVER leave the PIZZA OVEN™ within reach of children without supervision. The use of this appliance by young children or by cognitively challenged individuals must always be supervised.
5. Unplug from outlet when not in use and before cleaning. Allow the appliance to cool down before putting on or taking off parts.
6. Do not operate any appliance with a damaged cord or plug, after the appliance malfunctions or has been damaged. Return the appliance to the nearest authorized service facility for examination or repairs.
7. The use of accessory attachments not recommended by the appliance manufacturer may cause injuries.
8. Extreme caution must be used when removing your pizza or baked goods from the PIZZA OVEN™.

IMPORTANT SAFEGUARDS (Continued)

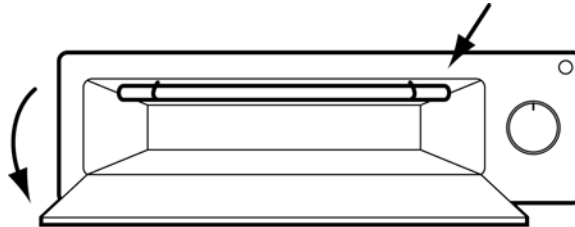
9. Do not use this appliance for other than intended use.
10. Do not touch hot surfaces during the baking or immediately after use. Always transport the appliance by carrying after it has cooled completely.
11. Use Handle to remove baked goods.
12. The cord should be arranged so that it will not drape over the table or counter top in such a way where it can be pulled on by children. This should also reduce the risk resulting from becoming entangled or tripping.
13. Always put place the control knob on "OFF" before plugging into and removing plug from the electrical outlet.
14. Do not operate on or near a hot gas flame or electric burner or heater, or in a heated oven.
15. Always place the toaster on a clean, flat and stable surface.
16. Allow a 1/2 inch clearance on all sides for circulation of air and away from flammable items such as curtains, drapes, alcohol, etc.
17. Do not place or store items on top of PIZZA OVEN™.
18. The use of accessory attachments not recommended by the appliance manufacturer may cause injuries.
19. Before plugging your appliance into the main electrical supply, make sure the voltage corresponds to that indicated on the maker's nameplate.
20. DO NOT put water on the PIZZA OVEN™ and avoid splashing water on the Glass Door while the appliance is in use.

D

PARTS & ASSEMBLY

Assembly Instructions for Glass Door Handle:

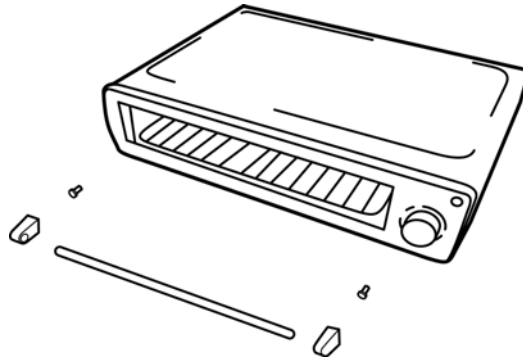
1. Open the Glass Door and locate the nylon straps that hold the Door Handle to the Heating Coil.



2. Cut the nylon straps. Remove nylon straps and Door Handle from unit.

PARTS & ASSEMBLY (Continued)

3. Detach the Door Handle brackets from the Glass Door.

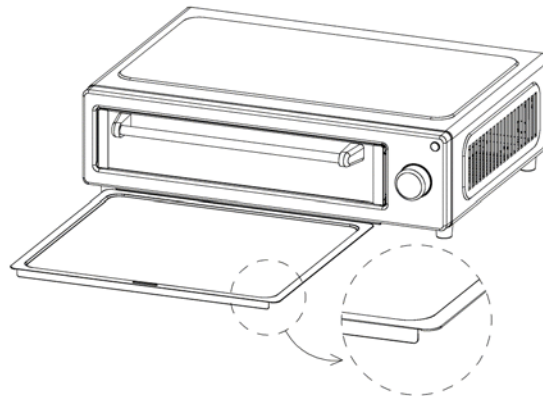


4. Reattach one bracket to the outside of Glass Door.
5. Insert the Door Handle into the installed bracket making sure the Door Handle lines up with the notch in the bracket.
6. Install other bracket. Notch should line up if step 5 was done correctly.

Assembly Instructions for Grease Tray:

1. Before using the appliance, take out the Grease Tray and turn it so that the metal edge points downward. (see image below)
2. Slide Grease Tray all the way into the slot at the bottom of oven until Grease Tray locks securely in place.

CAUTION: Never touch hot metal with fingers. Always use an oven mitt or potholder when operating the PIZZA OVEN™. Please clean Grease Tray between each use.



HOW TO OPERATE

1. Make sure the timer is set at "0" minute position and plug the electrical cord into the electrical socket.
2. Place the food to be cooked onto the Griddle Pan and place the Griddle Pan inside the oven.
3. Set the time knob for the proper cooking time. When cooking with a time less than 5 minutes, first turn the timer knob past the 6 minute mark, then turn it back to the desired time you wish to bake your food.
4. A bell will sound when the time period has elapsed. Using the Griddle Handle, pull out the food from the oven.
5. After use, unplug the plug from the wall socket and allow the appliance to cool completely before storing.

HELPFUL HINTS

- The PIZZA OVEN™ will cook Thin Crust, Self-Rising and Home Made pizzas.
- Rotate your pizza 180° halfway through the cooking process to ensure that the pizza cooks evenly.
- If your model includes a Pizza Stone, make sure to pre-heat the oven with the stone inside before placing pizza on the stone.

CLEANING & MAINTENANCE

1. Before trying to clean the unit, be sure the unit is unplugged and sufficiently cooled.
2. To clean the Grease Tray, wash it while it is immersed in tepid water and then dry with a soft cloth.
NOTE: Do not use cleaning powder or nylon scrubbing brush to clean the Grease Tray.
3. To clean the PIZZA OVEN™, Glass Door, or Grill and Handle, wipe down with a damp cloth and dry with a soft cloth.

RETURNS & WARRANTY

SHOULD YOUR UNIT NOT WORK OR IS DAMAGED WHEN YOU FIRST TAKE IT OUT OF THE BOX, PLEASE RETURN IT TO THE PLACE OF PURCHASE IMMEDIATELY.

Should you have any questions, please contact us via email or at the customer service number listed below between the hours of 8:00 AM and 5:00 PM, Monday through Friday, Central Standard Time.

Distributed by:

Nostalgia Products Group LLC
1471 Partnership Dr.
Green Bay, WI 54304-5685

Customer Service

Phone: (920) 347-9122
Web: www.nostalgiaelectrics.com

Customer Service Inquiry

To submit a Customer Service inquiry, go to www.nostalgiaelectrics.com and fill out the **Customer Service Inquiry** form and click the Submit button. A representative will contact you as soon as possible.

PIZZA OVEN™

PBO-220

Limited Warranty

This appliance is designed and built to provide many years of satisfactory performance under normal household use. The distributor pledges to the original owner that should there be any defects in material or workmanship during the first 90 days of purchase, we will repair or replace the unit at our option. Our pledge does not apply to damages caused by shipping, mishandling or unit being dropped. A product deemed defective either from manufacturing or being mishandled is up to the distributor's discretion. In order to obtain service under this warranty, please contact Nostalgia Products Group, LLC at the telephone number listed above or by filling out the Customer Service Inquiry Form located at www.nostalgiaelectrics.com.

This warranty does not apply to re-manufactured merchandise.

Please read these instructions carefully. Failure to comply with these instructions, damages caused by improper replacement parts, abuse or misuse will void this pledge to you and is being made in place of all other expressed warranties.



Nostalgia Products Group LLC
1471 Partnership Dr.
Green Bay, WI 54304-5685

Visit Us Online at
www.nostalgielectrics.com

©2009 Nostalgia Products Group LLC

Rev. 8/21/09

Free Manuals Download Website

<http://myh66.com>

<http://usermanuals.us>

<http://www.somanuals.com>

<http://www.4manuals.cc>

<http://www.manual-lib.com>

<http://www.404manual.com>

<http://www.luxmanual.com>

<http://aubethermostatmanual.com>

Golf course search by state

<http://golfingnear.com>

Email search by domain

<http://emailbydomain.com>

Auto manuals search

<http://auto.somanuals.com>

TV manuals search

<http://tv.somanuals.com>