

HW-2G Enclosed Bread Cabinet

Project _____

Item _____

Quantity _____



SIZE:

HW-2G - 70-5/8" High, 22-1/8" Wide, 29-3/8" Deep
1794 mm High, 562 mm Wide, 746 mm Deep

NU-VU's HW-2G enclosed bread cabinet features lexan doors for full view of product. The doors feature full gasket, which allow you to hold your baked product for extended periods of time without drying. The double top vent allows for hot product to cool without moisture accumulation.

The HW-2G holds either 18" x 26" full size or 13" x 18" half size sheet pans and comes fully assembled.

CONSTRUCTION:

- Aluminum construction

LABORATORY CERTIFICATION AND APPROVAL



NU-VU® HW-2G Enclosed Bread Cabinet

STANDARD FEATURES:

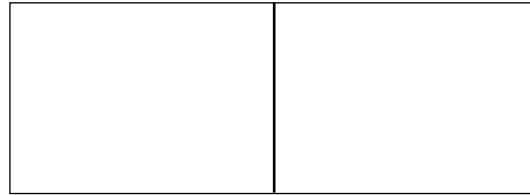
- Casters
- Adjustable double top vent
- Removable interior side walls
- Full view polycarbonate doors
- Silicone rubber door gaskets
- Lift off doors



NU-VU® Food Service Systems

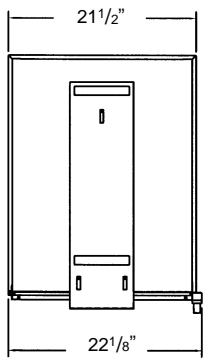
www.nu-vu.com
5600 13th Street
Menominee, MI 49858

1-800-338-9886 Toll Free
1-906-863-4401 Phone
1-906-863-5889 Fax

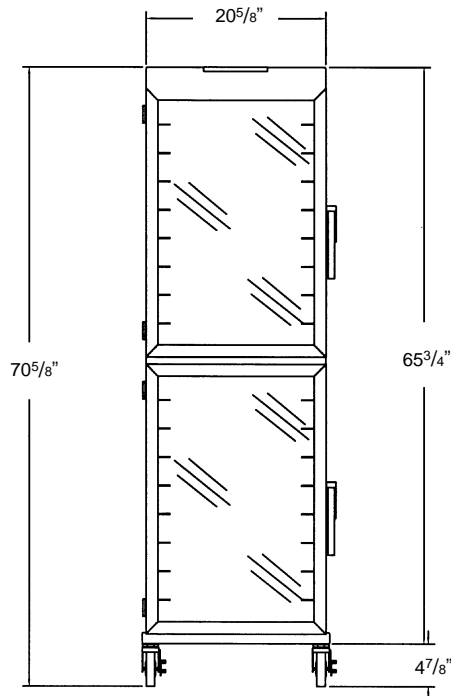


Approval / Stamp

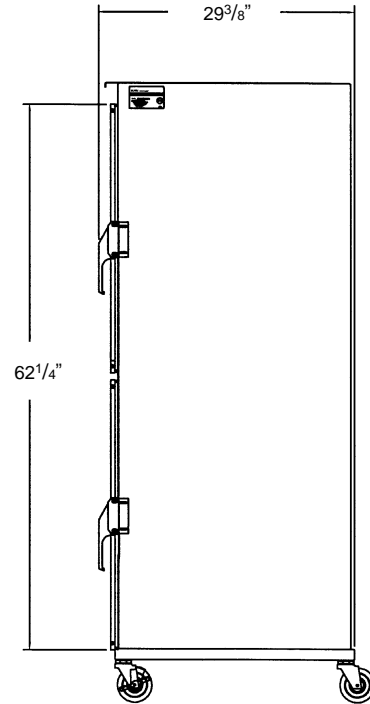
HW-2G Enclosed Bread Cabinet



TOP



FRONT



SIDE

NU-VU® HW-2G Enclosed Bread Cabinet

SPECIFICATIONS:

LISTINGS:

The HW-2G has NSF listings.



CAPACITY:

	18"x26" Sheet Pans	13"x18" Sheet Pans	Spacing
Cabinet	18	36	3-1/4"

DIMENSIONS:

	Height	Width	Depth
Exterior	70-5/8"	22-1/8"	29-3/8"
Interior	64-1/2"	18-1/2"	26-5/8"

DOOR SWING: Cabinet - 22" (559 mm)

PACKING SIZE:

72" High, 26" Wide, 34" Deep
(1829 mm High, 660 mm Wide, 364 mm Deep)

SHIPPING WEIGHT:

135 Pounds, FOB Menominee, MI 49858

Free Manuals Download Website

<http://myh66.com>

<http://usermanuals.us>

<http://www.somanuals.com>

<http://www.4manuals.cc>

<http://www.manual-lib.com>

<http://www.404manual.com>

<http://www.luxmanual.com>

<http://aubethermostatmanual.com>

Golf course search by state

<http://golfingnear.com>

Email search by domain

<http://emailbydomain.com>

Auto manuals search

<http://auto.somanuals.com>

TV manuals search

<http://tv.somanuals.com>