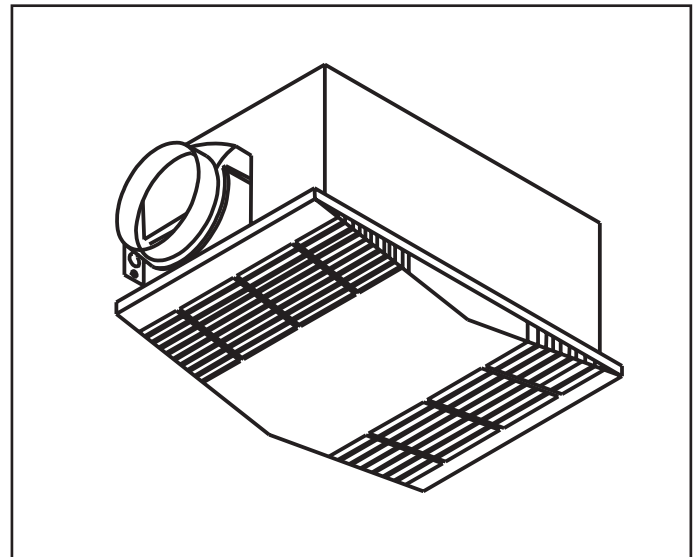


Heat-A-Vent®

MODEL: 605RP

DESCRIPTION

- Two functions in one unit. Use them individually or together.
 - 1) 1500W heating element provides fast enveloping heat. Efficient fan evenly distributes warm air through room.
 - 2) Exhausts stale air and moisture to refresh the bath atmosphere.
- Streamline design with handsome white grille. Grille is tough polymeric, impervious to bathroom climate.
- Includes adjustable hanger bars. 16"-24". Built-in junction box with receptacles for simple plug-in of heater and fan motors.
- Nickel-chrome heating element.
- Quiet polypropylene duct adapter with silent backdraft damper snaps on. Longer tapering collar for easy attachment of 4" duct.
- Connects to 120vAC.
- For your convenience, NuTone offers a complete line of accessories to adapt this unit to your construction requirements.



DESIGN FEATURES

- Air Delivery:** 70 CFM.
- Sound Level:** 4.0 Sones.
- British Thermal Units:** 5118.
- Dimensions:**
 - Housing:** 14⁵/₈" x 7⁷/₈" x 5⁵/₈".
 - Grille:** 9⁷/₈" x 16¹/₄".
- Material & Component Data:**
 - Housing:** Galvanized steel,
 - Grille:** White polymeric.
 - Damper:** polypropylene.
- Impellers:** Centrifugal.
- Motors:** Sleeve bearings, thermally protected.
- Element:** Open coil, nickel-chromium. 1500W.
- Duct Size:** 4" diameter.
- Electrical Rating:** 120V, 60Hz, 13.5A

INSTALLATION

- Adjustable hanger bars attach to 16" or 24" O.C. joists in new construction.
- Built-in junction box accepts plug-in heater motor, and fan motor.
- Duct adapter has built-in damper and long, tapering collar for duct attachment.
- Discharge is horizontal through 4" round duct.
- Each unit includes complete Installation Instructions for both new and existing construction.
- **Do not install unit over bath tub or in shower stall.**
- **Connect to 20 amp branch circuit.**

ARCHITECT'S SPECIFICATIONS

Heat-Vent Combination shall be Model 605RP as manufactured by NuTone according to listed specifications.

NUTONE, INC 4820 REI BANK ROAD CINCINNATI, OH IO 45227
Product specifications subject to change without notice.

| REFERENCE | QTY. | REMARKS | Project |
|-----------|------|---------|------------------------|
| | | | Location |
| | | | Architect |
| | | | Engineer |
| | | | Contractor |
| | | | Submitted by Date |

CERTIFIED TEST DATA

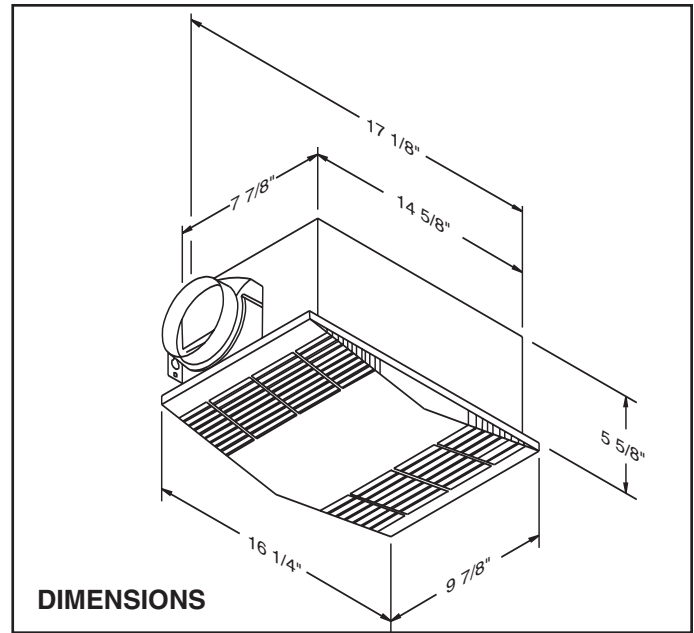


Air delivery and sound level ratings are certified by the Home Ventilating Institute Division of AMCA, based on testing performed by an independent third party testing laboratory, in accordance with HVI standards. This NuTone model is listed by Underwriters' Laboratories Inc.

The air delivery of a ventilating system may be determined by:

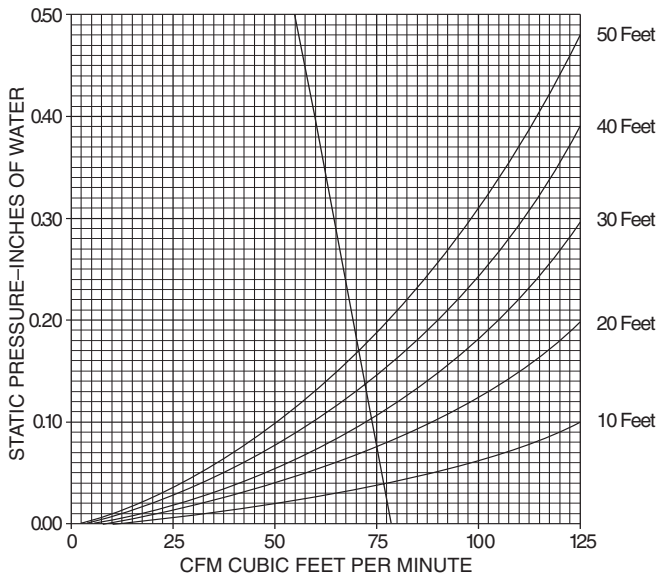
1. Determine the equivalent duct length for each 90 degree elbow by adding one foot of duct length for each inch of duct diameter, i.e., a 4 inch diameter duct elbow equals 4 feet equivalent duct length and an 8 inch diameter duct elbow equals 8 feet equivalent duct length.
2. Add the total straight length of duct and the equivalent length for each elbow to obtain the total equivalent duct length.
3. Locate the intersection of the fan performance curve and the total equivalent duct length curves and draw a vertical line down to the CFM scale and read the system air performance.

(NOTE: 3 1/4" x 10" duct equals 6 inch diameter duct.)



DIMENSIONS

AIR PERFORMANCE CURVE (4 In. Duct to 10 Foot Lengths)



| | | | | | | | | | | |
|------------------------------------|------|-----|------|-----|------|-----|------|-----|------|-----|
| STATIC PRESSURE INCHES OF WATER | 0.05 | 0.1 | 0.15 | 0.2 | 0.25 | 0.3 | 0.35 | 0.4 | 0.45 | 0.5 |
| CFM | 76 | 73 | 71 | 68 | 66 | 64 | 62 | 60 | 57 | 54 |

Free Manuals Download Website

<http://myh66.com>

<http://usermanuals.us>

<http://www.somanuals.com>

<http://www.4manuals.cc>

<http://www.manual-lib.com>

<http://www.404manual.com>

<http://www.luxmanual.com>

<http://aubethermostatmanual.com>

Golf course search by state

<http://golfingnear.com>

Email search by domain

<http://emailbydomain.com>

Auto manuals search

<http://auto.somanuals.com>

TV manuals search

<http://tv.somanuals.com>