

## Wall Heater

MODEL: 9376N

Automatic Thermostat-Controlled – Fan forced.  
1250 WATTS - 120vAC, 60Hz

### DIMENSIONS:

HOUSING - 8½" x 12½" x 4"

GRILLE - 10⅛" x 14⅛"

1. **Refer to Figure 1.** Remove heating element assembly from housing by unscrewing from brackets on either side of element. Keep screws. Mount housing at least 6" above finished floor (to provide clearance for grille).
2. **Refer to Figure 2.** Insert provided mounting brackets in housing. Extend brackets so that unit will fit between wall studs. Fasten housing to stud and brackets to opposite stud.  
**NOTE: To give clearance for switch operation, make certain housing flange is flush to finished wall.**
3. Nail or screw housing to wall stud through holes in side of housing. If necessary, make cutout - 8½" x 2½" - along side of wall stud.  
**IMPORTANT: Do not mount over tub or in shower stall enclosure.**
4. Run 120vAC house wiring with ground to heater location and secure to junction box with box connector (not provided).
5. When finished wall is up, replace heating element assembly in housing; fasten screws through brackets on either side of element.
6. Insert heater wires into junction box. Connect house wiring to heater wiring as follows: BLACK to BLACK; WHITE to WHITE; GROUND to GREEN GROUND SCREW in box.

**CAUTION: Be sure all wiring conforms to local codes and unit is properly grounded.**

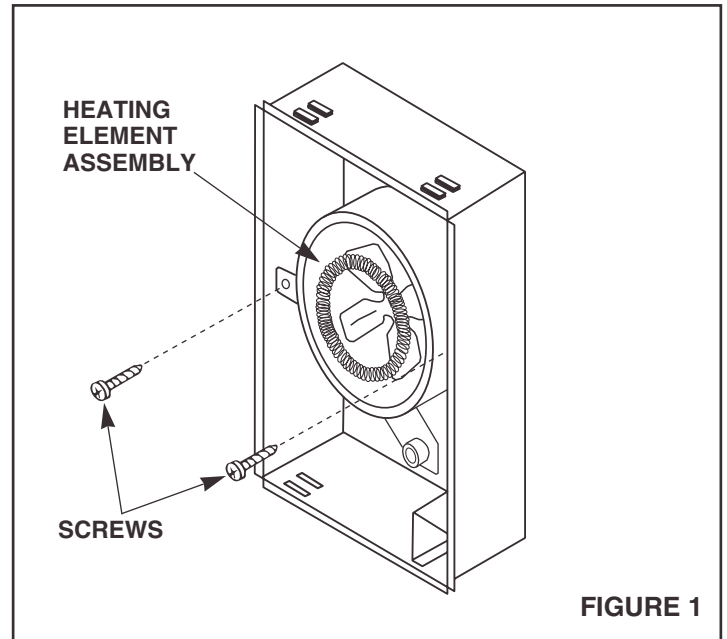


FIGURE 1

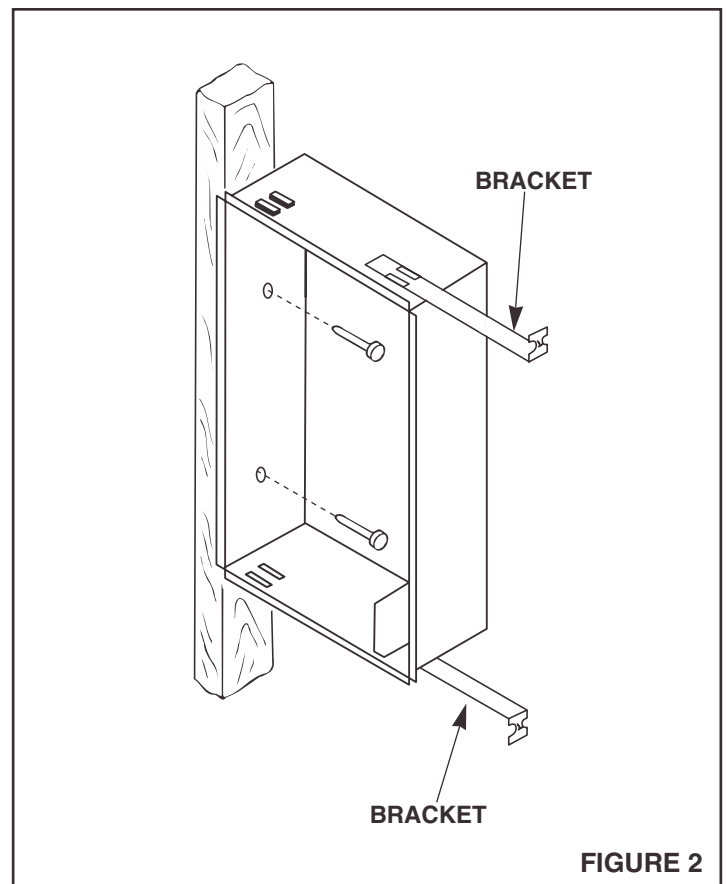
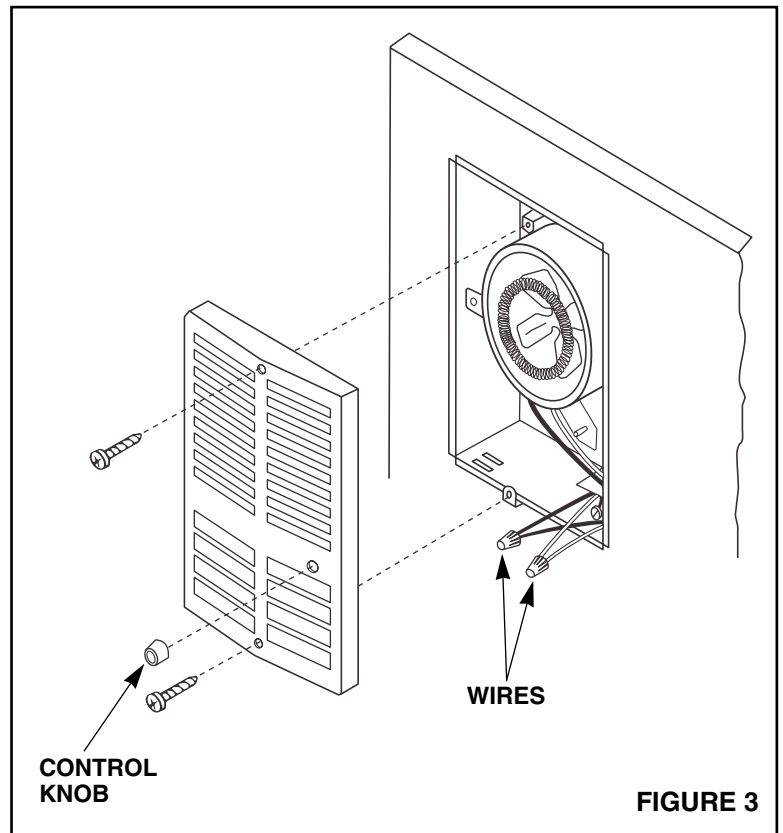


FIGURE 2

(Please see other side.)

7. **Refer to Figure 3.** Remove control knob. Fasten grille to housing, using two supplied screws. Replace control knob on shaft from heater.



# NuTone®

## One Year Limited Warranty

**WARRANTY OWNER:** NuTone warrants to the original consumer purchaser of its products that such products will be free from defects in materials or workmanship for a period of one (1) year from the date of original purchase. **THERE ARE NO OTHER WARRANTIES, EXPRESS OR IMPLIED, INCLUDING, BUT NOT LIMITED TO, IMPLIED WARRANTIES OF MERCHANTABILITY OR FITNESS FOR A PARTICULAR PURPOSE.**

**During this one year period,** NuTone will, at its option, repair or replace, without charge, any product or part which is found to be defective under normal use and service. **THIS WARRANTY DOES NOT EXTEND TO FLUORESCENT LAMP STARTERS OR TUBES, FILTERS, DUCT, ROOF CAPS, WALL CAPS AND OTHER ACCESSORIES FOR DUCTING.** This warranty does not cover (a) normal maintenance and service or (b) any products or parts which have been subject to misuse, negligence, accident, improper maintenance or repair (other than by NuTone), faulty installation or installation contrary to recommended installation instructions.

The duration of any implied warranty is limited to the one year period as specified for the express warranty. Some states do not allow limitation on how long an implied warranty lasts, so the above limitation may not apply to you.

**NUTONE'S OBLIGATION TO REPAIR OR REPLACE, AT NUTONE'S OPTION, SHALL BE THE PURCHASER'S SOLE AND EXCLUSIVE REMEDY UNDER THIS WARRANTY. NUTONE SHALL NOT BE LIABLE FOR INCIDENTAL, CONSEQUENTIAL OR SPECIAL DAMAGES ARISING OUT OF OR IN CONNECTION WITH PRODUCT USE OR PERFORMANCE.** Some states do not allow the exclusion or limitation of incidental or consequential damages, so the above limitation or exclusion may not apply to you. This warranty gives you specific legal rights, and you may also have other rights, which vary from state to state. This warranty supersedes all prior warranties.

**WARRANTY SERVICE:** To qualify for warranty service, you must (a) notify NuTone at the address stated below or telephone 1/800-543-8687, (b) give the model number and part identification and (c) describe the nature of any defect in the product or part. At the time of requesting warranty service, you must present evidence of the original purchase date.

Date of Installation

Builder or Installer

Model No. and Product Description

**IF YOU NEED ASSISTANCE OR SERVICE:**

For the location of your nearest NuTone Independent Authorized Service Center:

**Residents of the contiguous United States** Dial Free 1-800-543-8687

Please be prepared to provide:

Product model number • Date and Proof of purchase • The nature of the difficulty

**Residents of Alaska or Hawaii should write to:** NuTone Inc. Attn: Department of National Field Service, 4820 Red Bank Road, Cincinnati Ohio 45227-1599.

**Residents of Canada should write to:** Broan-NuTone Canada, 1140 Tristar Drive, Mississauga, Ontario, Canada L5T 1H9.

Rev. 03/2001

# NuTone®

Product specifications subject to change without notice.

4820 Red Bank Road, Cincinnati, Ohio 45227  
Printed in U.S.A., Rev. 3/01, Part No. 52398

## Free Manuals Download Website

<http://myh66.com>

<http://usermanuals.us>

<http://www.somanuals.com>

<http://www.4manuals.cc>

<http://www.manual-lib.com>

<http://www.404manual.com>

<http://www.luxmanual.com>

<http://aubethermostatmanual.com>

Golf course search by state

<http://golfingnear.com>

Email search by domain

<http://emailbydomain.com>

Auto manuals search

<http://auto.somanuals.com>

TV manuals search

<http://tv.somanuals.com>