



## QuietTest Twin Blower Ventilator

(For Ceiling Use)

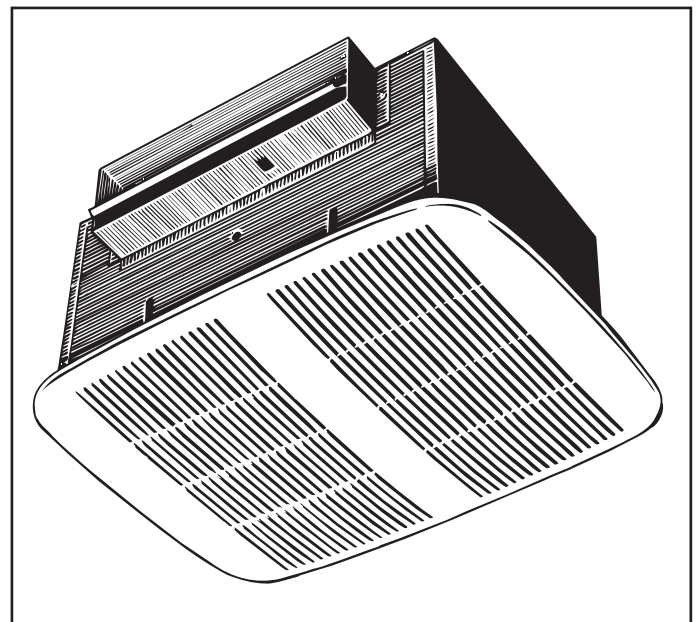
MODEL: QT150

### DESCRIPTION

- For bathrooms up to 150 sq. ft. (13.9M<sup>2</sup>), other rooms up to 200 sq. ft. (18.56M<sup>2</sup>).
- Sturdy brown-enamel steel housing is lined with sound-deadening foam for quiet operation.
- Motor plugs into prewired junction box.
- Vents horizontally or vertically with 3¼" x 10" duct. Duct collar with damper included.
- Installs between 16" O.C. joists with slotted mounting brackets. Slots on the sides of the housing provide alternative mounting.
- Wiring knockouts located on the top and back of the housing.
- Refer to NuTone's catalog for a complete line of accessories to effectively adapt this Fan to your construction requirements.
- Energy Star® Qualified.

### DESIGN FEATURES

- HVI Air Delivery:** 160 CFM (75.5LS).  
**HVI Sound Level:** 2.5 Sones  
**Dimensions:** **Housing:** 14¼" L x 10" W x 9" D (36.2CM x 25.4CM x 22.8CM).  
**Grille:** 16½" L x 12<sup>3</sup>/<sub>32</sub>" W x 5<sup>5</sup>/<sub>8</sub>" D (41.9CM x 30.7CM x 1.6CM).
- Material & Finish:** **Housing:** Galvanize steel.  
**Grille:** White Polymeric.
- Motor:** Thermally protected.  
**Blower Wheel:** Aluminum, electronically balanced.  
**Duct Size:** 3¼" x 10".  
**Electrical Rating:** 120v, 60Hz, 0.6Amp



### INSTALLATION

- Not for use in kitchens.
- Complete installation instructions are included with each unit.

### ARCHITECT'S SPECIFICATIONS

Twin-Blower Ventilator shall be Model QT150 as manufactured by NuTone according to listed specifications. Unit shall ventilate 160 CFM at a sound level of 2.5 Sones. Housing shall measure 14¼" x 10" x 9" deep and connect to 3¼" x 10" duct.



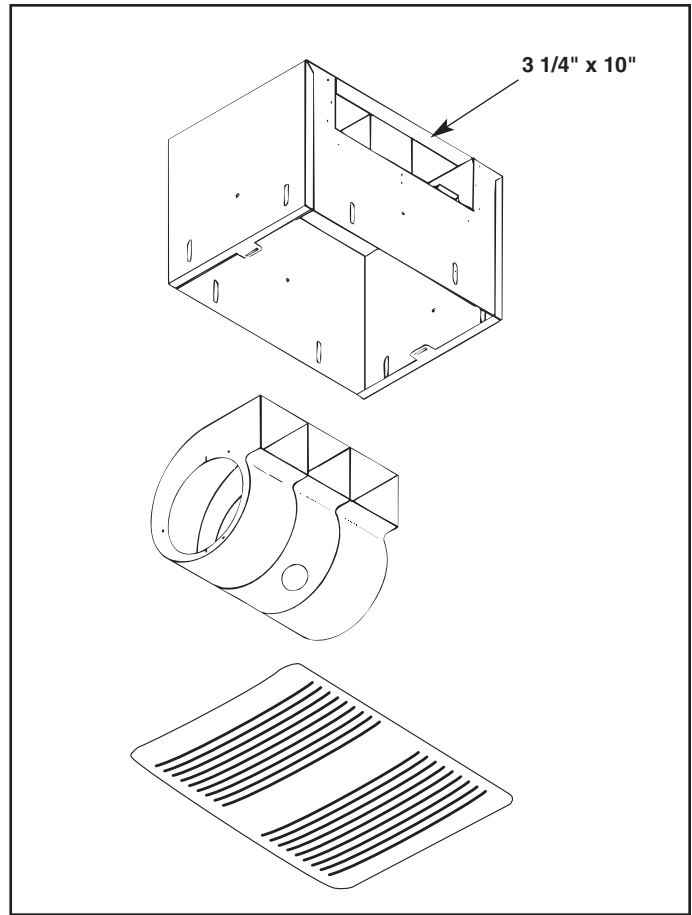
## CERTIFIED TEST DATA

HVI-2100 CERTIFIED RATINGS comply with new testing technologies and procedures prescribed by the Home Ventilating Institute, for off-the-shelf products, as they are available to consumers. Product performance is rated at 0.1 in. static pressure, based on tests conducted in AMCA's state-of-the-art test laboratory. Sones are a measure of humanly-perceived loudness, based on laboratory measurements. This NuTone model is listed by Underwriters' Laboratories Inc. and Certified by the Canadian Standards Association (CSA).

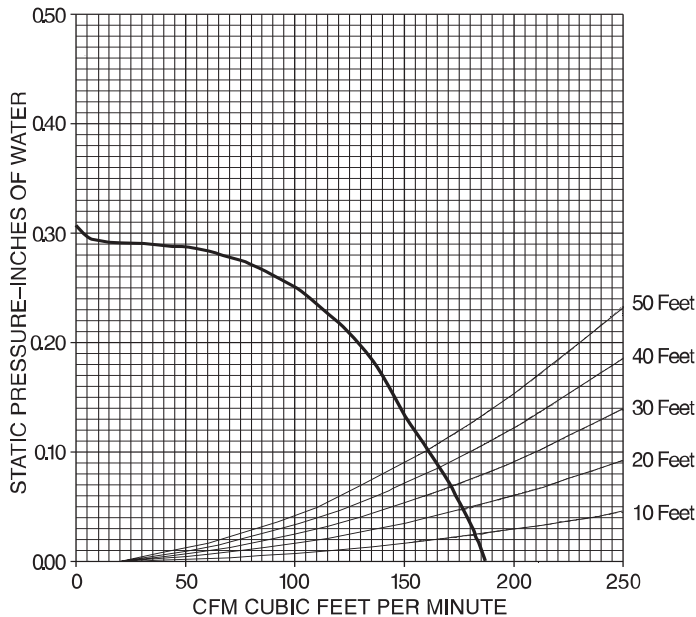
### The air delivery of a ventilating system may be determined by:

1. Determine the equivalent duct length for each 90 degree elbow by adding one foot of duct length for each inch of duct diameter, i.e., a 4 inch diameter duct elbow equals 4 feet equivalent duct length and an 8 inch diameter duct elbow equals 8 feet equivalent duct length.
2. Add the total straight length of duct and the equivalent length for each elbow to obtain the total equivalent duct length.
3. Locate the intersection of the fan performance curve and the total equivalent duct length curves and draw a vertical line down to the CFM scale and read the system air performance.

(NOTE: 3 1/4" x 10" duct equals 6 inch diameter duct.)

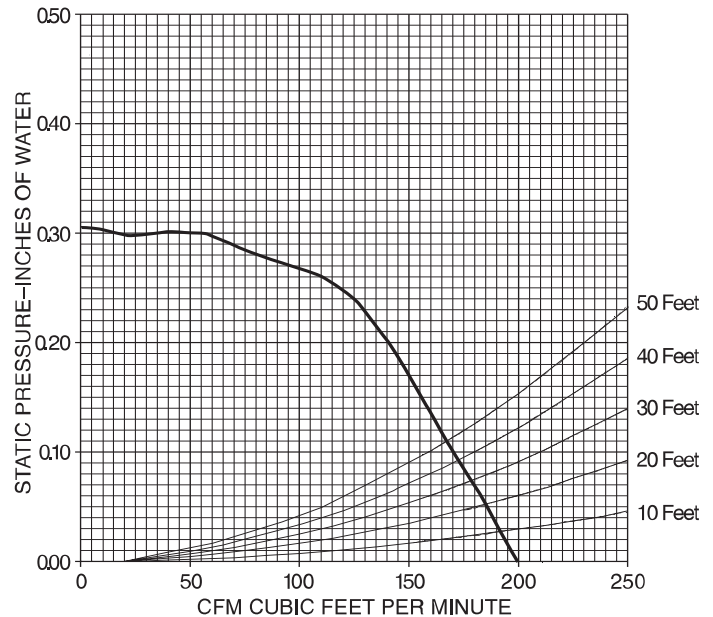


**AIR PERFORMANCE CURVE – Horizontal**  
(6 In. Duct to 10 Foot Lengths)



STATIC PRESSURE INCHES OF WATER	0.05	0.1	.125	0.15	0.2	0.25	0.3	0.35	0.4	0.45
CFM	185	162	160	158	142	120	-	-	-	-
LS	87.3	76.4	75.5	74.5	67.0	56.6	-	-	-	-

**AIR PERFORMANCE CURVE – Vertical**  
(6 In. Duct to 10 Foot Lengths)



STATIC PRESSURE INCHES OF WATER	0.05	0.1	.125	0.15	0.2	0.25	0.3	0.35	0.4	0.45
CFM	185	169	162	156	140	120	-	-	-	-
LS	87.3	79.7	76.4	73.4	66.0	56.6	-	-	-	-

Product specifications subject to change without notice.

NuTone, Inc., 4820 Red Bank Road, Cincinnati, Ohio 45227  
 Broan-NuTone Canada Inc., 1140 Tristar Drive, Mississauga, Ontario, Canada L5T 1H9  
 Printed in U.S.A.

## Free Manuals Download Website

<http://myh66.com>

<http://usermanuals.us>

<http://www.somanuals.com>

<http://www.4manuals.cc>

<http://www.manual-lib.com>

<http://www.404manual.com>

<http://www.luxmanual.com>

<http://aubethermostatmanual.com>

Golf course search by state

<http://golfingnear.com>

Email search by domain

<http://emailbydomain.com>

Auto manuals search

<http://auto.somanuals.com>

TV manuals search

<http://tv.somanuals.com>