

## BUILT-IN IRONING CENTER

# READ AND SAVE THESE INSTRUCTIONS

### WARNING

#### AVD45 and AVD50 Series Only

ALL ELECTRICAL WORK MUST BE DONE IN ACCORDANCE WITH LOCAL AND/OR NATIONAL ELECTRICAL CODES AS APPLICABLE. FOR SAFETY, THIS PRODUCT MUST BE GROUNDED. IF YOU ARE UNFAMILIAR WITH METHODS OF INSTALLING ELECTRICAL WIRING, SECURE THE SERVICES OF A QUALIFIED ELECTRICIAN.

The ironing center should be installed on a SEPARATE 15 amp circuit to prevent circuit overload.

TURN OFF POWER AT SERVICE ENTRANCE BEFORE INSTALLING WIRING OR SERVICING THIS PRODUCT.

1. Do not place EXCESSIVE WEIGHT (weight should not exceed 30 pounds) on the ironing board when opened as it is designed to accept normal ironing use only.
2. Allow iron to cool down before storing in the cabinet.
3. Empty water reservoir and turn off steam action prior to storing iron.
4. Turn power off when not in use.
5. Do not remove the board retainer.
6. The appliance is supplied with approved components and wires which must not be changed. If any components or wires of this equipment is damaged, it must only be replaced by the manufacturer, service agent or similarly qualified person in order to avoid hazard.
7. This unit may be installed as a surface mount. If installed in this manner, you MUST USE the Surface Mount Collar Assembly (AVDSMN). See instructions included with Assembly, for mounting by this method.

### INSTALLATION (Fig. 1)

#### 1. DETERMINE WALL OPENING.

The NuTone Ironing Centers are designed to fit between standard 16" on-center wall studs. A 49-1/4" x 14-1/8" x 3-7/8" deep opening is required. 24" on-center studs will require framing to proper opening size.

#### 2. DETERMINE DISTANCE ABOVE THE FLOOR.

Use the following chart to determine the recommended wall opening above the floor:

Wall Opening Above the Floor	Working Height	
	AVD40/45 Series	AVD50 Series
24"	30"	29"-31"-33"
28"	34"	33"-35"-37"
30"	36"	35"-37"-39"
32"	38"	37"-39"-41"

#### 3. ATTACH CLEATS.

Fasten 2x4 cleats to wall studs to provide a level surface on which to rest cabinet.

#### 4. MOUNT CABINET.

Lift cabinet into place and attach it to studs using the six supplied screws. Mounting holes positions are indicated by the arrows. On AVD45 and AVD50 Series models, remove the wireway cover to access mounting hole. Be sure to allow for wall covering thickness behind cabinet face frame. Plumb and shim cabinet to fit.

#### 5. CONNECT WIRING (Fig. 2) (AVD45 & AVD50 Series only)

Remove wireway cover. Bring house wiring into cabinet access hole and attach wiring to cabinet with an approved wire strain relief. Connect black to black, white to white and green/bare wire from house wiring to ground fixing terminal at the top end of the cabinet. Replace cover.

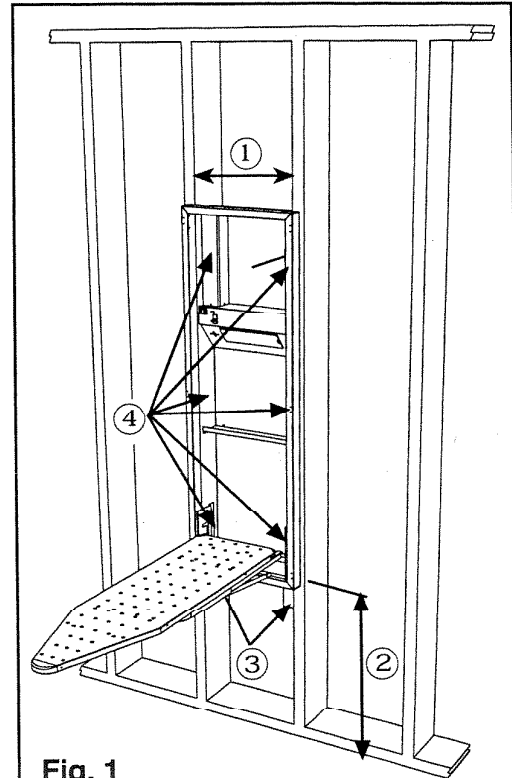


Fig. 1

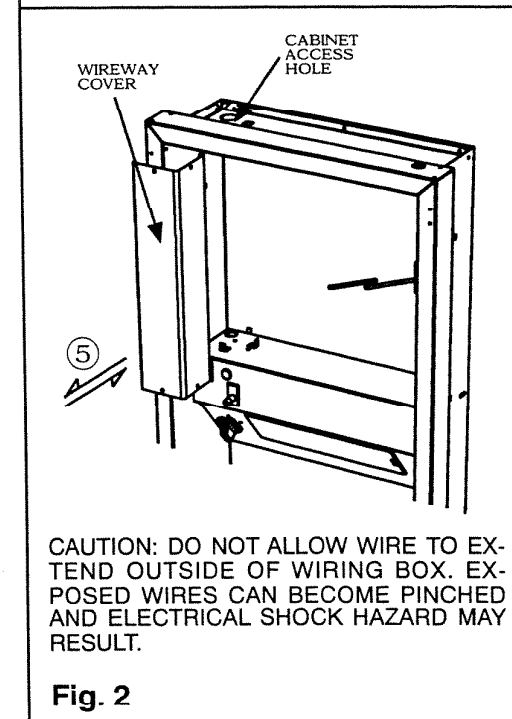


Fig. 2

CAUTION: DO NOT ALLOW WIRE TO EXTEND OUTSIDE OF WIRING BOX. EXPOSED WIRES CAN BECOME PINCHED AND ELECTRICAL SHOCK HAZARD MAY RESULT.

## OPERATING INSTRUCTION (Fig. 3)

### Control Panel (AVD45 and AVD50 Series)

#### SAFETY SWITCH

The Ironing Board depresses this switch when placed in its storage position. This disconnects all power to the ironing center controls.

#### TIMER

Work Lamp, Pilot Light and Receptacle are powered ONLY when timer is set. Set the amount of time you will be ironing by turning the knob clockwise. The timer can be manually turned to "0" (Off) at any time. Turn to "0" (Off) position when not in use.

#### PILOT LIGHT

When light is lit, it shows that the timer is set and that the power is "ON".

#### WORK LAMP

The lamp will come on when the timer is set. A 40 watt max bulb is recommended.

#### ELECTRICAL RECEPTACLE

The Ironing Center is equipped with 3-prong grounded receptacle.

CAUTION: Make sure your iron's power cord does not interfere with operation of the SAFETY SWITCH when board is being placed in its storage position.

## CABINET DOOR (Fig. 4)

NOTE: Door and fixtures are supplied on AVD40WN, AVD40KN, AVD45WN, and AVD45KN. Decorative door and fixtures may be purchased separately for AVD40N, AVD45N and AVD50N models. (See Service Parts List)

### 1. MOUNTING THE CABINET DOOR

Door may be hinged from either side of the cabinet. Both sides of the cabinet has pre-punched holes.

Use two hinges (supplied) to fix door to the cabinet. Hinges should be placed on top and bottom section of the cabinet.

Attach the hinge to cabinet and door using the screws supplied.

Use the decorative plugs (supplied) to cover the remaining pre-punched holes.

### 2. INSTALLING MAGNETIC CATCH

Magnetic catch is attached opposite the hinge.

Attachment position is located on the top section of the cabinet and the door. Attach the magnetic catch 2A onto cabinet using the screws supplied.

Attach the strike plate 2B onto door using the screw (supplied).

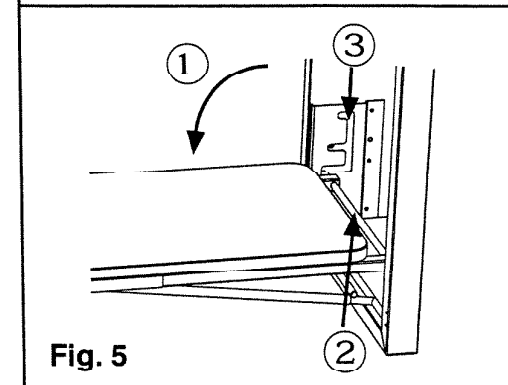
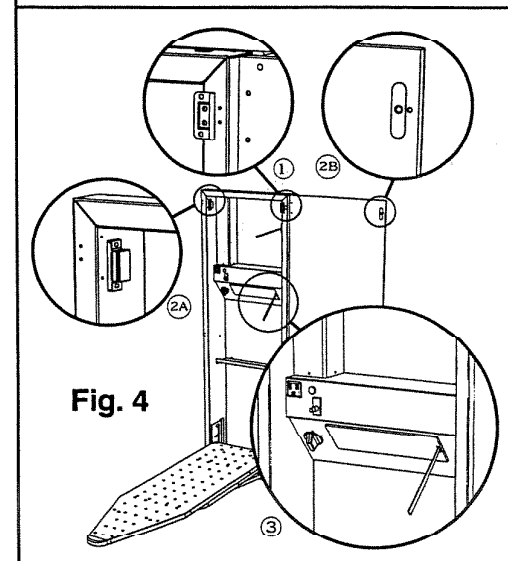
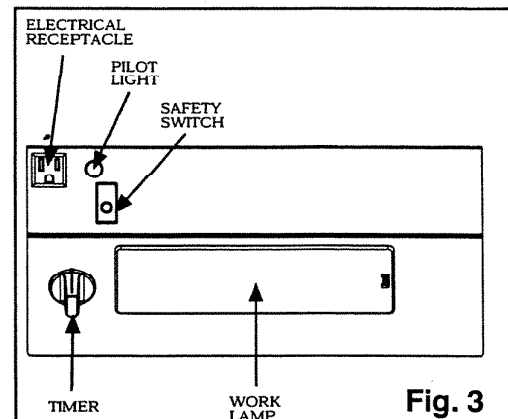
### 3. LAMP REPLACEMENT

Ensure the power is switched off (Timer is on "0" (Off) position).

Insert small screwdriver or slim knife (as shown), ease catch to side and slip out diffuser.

Replace lamp (40 watt max).

Slide diffuser back into aperture and "click" into place.



## IRONING BOARD HEIGHT ADJUSTMENT (Fig. 5)

### MODEL AVD50N

The Ironing Board has three working heights, to adjust the board:

1. Lower board to the first operating position (lowest position).
2. Hold the board with one hand (NOT BY THE NOSE) and support the pivot rod with the other hand.
3. Adjust the ironing board to the desired position by lifting the board (NOT BY THE NOSE) and moving it to the path of height adjust bracket.

NOTE: in order to store the ironing board, it must be on its lowest position.

## MAINTENANCE

IRONING CENTER BOARD IS FITTED WITH HEAT RESISTANT COVER. TO AVOID DAMAGE TO THE COVER

### DO NOT WASH THE COVER

The laminated surface of the unit may be wiped clean with non-abrasive household cleaner.

## Free Manuals Download Website

<http://myh66.com>

<http://usermanuals.us>

<http://www.somanuals.com>

<http://www.4manuals.cc>

<http://www.manual-lib.com>

<http://www.404manual.com>

<http://www.luxmanual.com>

<http://aubethermostatmanual.com>

Golf course search by state

<http://golfingnear.com>

Email search by domain

<http://emailbydomain.com>

Auto manuals search

<http://auto.somanuals.com>

TV manuals search

<http://tv.somanuals.com>