

# NuTone®

life. style. home.™

## Built-in Ironing Centers



# NuTone® Built-in Ironing Centers – Detailed Features and Benefits

Ironing hardly seems like a chore when you have a NuTone® Built-In Ironing Center. With an ironing center, all your ironing items are within reach in a moment's notice. No more dragging out the ironing board or clearing a spot to set it up. The Deluxe model even offers a built-in electrical outlet for easy plug-in of the iron. Your choice of door styles allows you to match your home décor.



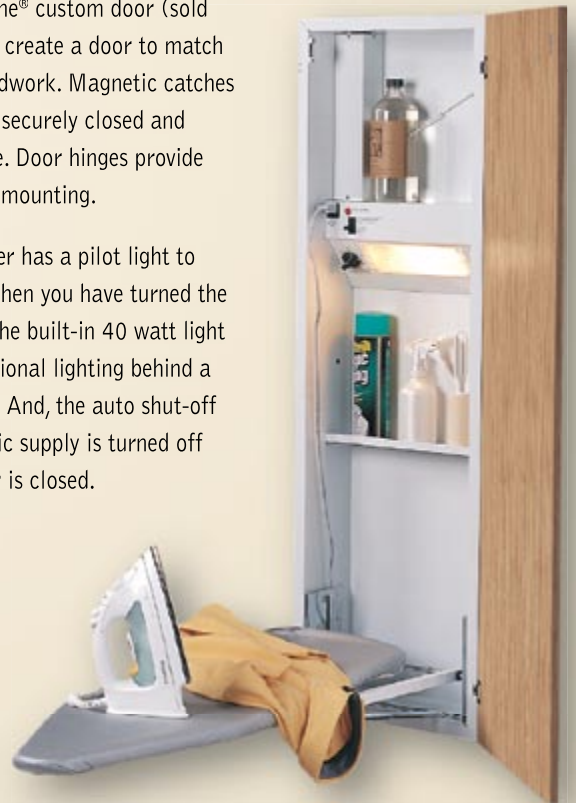
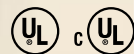
## NuTone® Deluxe Ironing Center – AVD50N

The all-metal construction of the NuTone® Deluxe ironing board provides years of dependable use. The ventilated design is resistant to moisture and cools quickly. With three height settings and 180° swivel, the board can be adjusted for optimum ironing comfort and fits in tight corners for additional ergonomic benefit. This unit installs as a recess or surface mount (mounting collar sold separately).

A tall, deep storage area provides room to store spray bottles, starch and other items.

The Deluxe model allows you to select either a NuTone® custom door (sold separately) or create a door to match your own woodwork. Magnetic catches keep the door securely closed and neatly in place. Door hinges provide a left or right mounting.

The silent timer has a pilot light to visibly show when you have turned the power "on". The built-in 40 watt light provides functional lighting behind a shielded cover. And, the auto shut-off ensures electric supply is turned off when the door is closed.



AVD50N shown with AVDORPN Oak Raised Panel Custom Door

## Features

180° Swivel and Height Adjustment  
(Deluxe Only)



Built-in Outlet and Silent Timer  
(Deluxe and Standard Only)



Hot Iron and Storage Shelves



42" Full-Size Ironing Board







## NuTone® Standard Ironing Center – AVD45N

The Standard Ironing Center has all of the features of the Deluxe, except for the swivel board. It also comes with a choice of simulated oak or white flat panel door, or no door – allowing you to match your décor with a door of your choice.

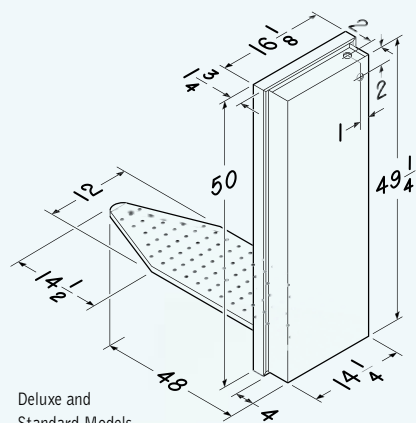
## NuTone® Basic Non-Electric Ironing Center – AVD40N

The Basic Ironing Center provides all-metal construction with a ventilated board and handy storage area. This unit can be recess or surface mounted. The Basic model is sold with a choice of a simulated oak or white flat panel door, shown – or your choice of custom door, sold separately. The Basic model is non-electric.

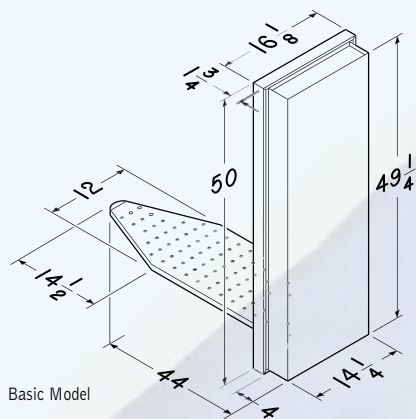


Simulated Oak

White



Deluxe and Standard Models



Basic Model

## NuTone® Built-in Ironing Centers and Components

Model No.	Description
<b>Ironing Centers</b>	
AVD50N	Deluxe Ironing Center – No Door
AVD45N	Standard Ironing Center – No Door
AVD45WN	Standard Ironing Center – White Flat Panel Door
AVD45KN	Standard Ironing Center – Simulated Oak Flat Panel Door
AVD40N	Basic Ironing Center – No Door
AVD40WN	Basic Ironing Center – White Flat Panel Door
AVD40KN	Basic Ironing Center – Simulated Oak Flat Panel Door
<b>Custom Doors</b>	
AVDORPN	Oak Raised Panel (unfinished)
AVDWRPN	White Raised Panel
AVDOFPN	Birch Flat Panel (unfinished)
AVDMFPNH	Mirror Door with 1" Beveled Edge
<b>Accessories</b>	
AVDCPN	Cover Pad
AVDSBN	Sleeve Board
AVDSMN	Surface Mount Collar

## Custom Door Selections

NuTone® Deluxe Ironing Centers are sold without doors allowing you to choose a NuTone® Custom Door (sold separately).



**AVDORPN**

Oak Raised Panel



**AVDOFPN**

Birch Flat Panel



**AVDWRPN**

White Raised Panel



**AVDMFPNH**

Mirror Door (with 1" bevel)

NuTone... life. style. home.



**NuTone®** is America's leading brand of residential built-in convenience products including door chimes, central vacuum systems, intercom systems, home theater speakers, medicine cabinets, ironing centers and ventilation fans.

**Broan®** is America's leading brand of residential ventilation products including range hoods, ventilation fans, heater/fan/light combination units, Indoor Air Quality (IAQ) Fresh Air Systems, built-in heaters, whole-house fans, attic ventilators, paddle fans and trash compactors.

Broan and NuTone are proud to be ENERGY STAR® partners.

# NuTone®

[www.NuTone.com](http://www.NuTone.com)

NuTone, 4820 Red Bank Road, Cincinnati, OH 45227 • **888-336-3948**

In Canada call **888-882-7626**



## Free Manuals Download Website

<http://myh66.com>

<http://usermanuals.us>

<http://www.somanuals.com>

<http://www.4manuals.cc>

<http://www.manual-lib.com>

<http://www.404manual.com>

<http://www.luxmanual.com>

<http://aubethermostatmanual.com>

Golf course search by state

<http://golfingnear.com>

Email search by domain

<http://emailbydomain.com>

Auto manuals search

<http://auto.somanuals.com>

TV manuals search

<http://tv.somanuals.com>