

NuTone®

CENTRAL VACUUM POWER UNIT

⚠ HOUSEHOLD TYPE ⚠

CV400

MODEL NO. SFDB-DC



**HOMEOWNERS OPERATING INSTRUCTIONS
READ AND SAVE THESE INSTRUCTIONS**

Broan-NuTone LLC
Hartford, Wisconsin
www.nutone.com
888-336-3948

To register this product, visit www.nutone.com



30042420 Rev. E

IMPORTANT SAFETY INSTRUCTIONS

READ ALL INSTRUCTIONS BEFORE USING THIS APPLIANCE.

When using an electric appliance, basic precautions should always be followed, including the following:

WARNING

TO REDUCE THE RISK OF FIRE, ELECTRIC SHOCK, OR PERSONAL INJURY:

- Do not use on wet surfaces or outdoors.
- Do not allow to be used as a toy. Close attention is necessary when used by or near children.
- Use only as described in this manual. Use only manufacturer's recommended attachments.
- Do not put any object into openings. Do not use with any opening blocked; keep free of dust, lint, hair, and anything that may reduce air flow.
- Keep hair, loose clothing, fingers and all parts of body away from openings and moving parts.
- Do not pick up anything that is burning or smoking, such as cigarettes, matches, or hot ashes.
- Do not use without dustbag or filter in place.
- Do not use to blow leaves or debris.
- Do not vacuum liquids or fine powders (such as drywall dust).
- Do not put any object on the unit.
- Ensure air flows freely to both side intake vents and exhausts unobstructed from top outlet.
- Do not install the unit horizontally.
- Do not use the pail as a wash pail.
- Do not use the pail as a stool.
- Turn off all controls before unplugging.
- Use extra care when cleaning on stairs.
- Avoid picking up sharp objects.
- Do not use to pick up flammable or combustible liquids such as gasoline or use in areas where they may be present.
- Do not use with damaged cord or plug. If appliance is not working as it should, if it has been dropped, damaged, left outdoors, or dropped into water, return it to a service center.
- Do not unplug the unit by pulling on cord. To unplug, grasp the plug, not the cord.
- Do not handle plug or appliance with wet hands.
- Connect to a properly grounded outlet only. See grounding instructions on page 8.
- Any servicing other than that recommended in this manual should be performed by an authorized service facility.
- We recommend that your unit be inspected by a specialized technician once a year.

SAVE THESE INSTRUCTIONS

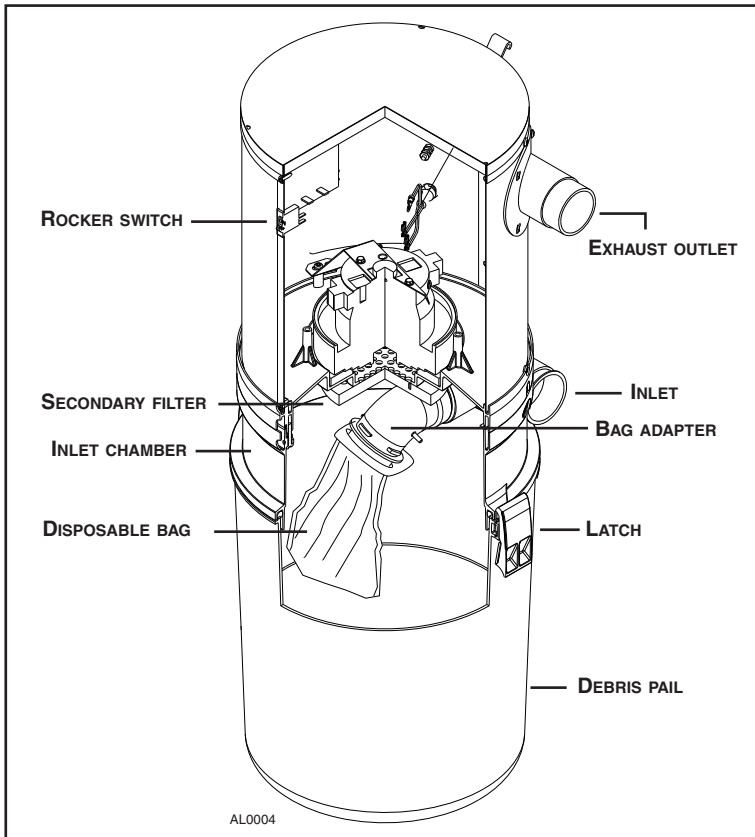
1. OPERATION

The power unit is located away from the everyday living areas of your home — usually in the garage, basement, or utility room. Through a network of strong, lightweight tubing, the power unit connects to inlets strategically placed throughout your home. When you are ready to clean, attach the wand and cleaning tool onto the end of the hose. Open the inlet cover and insert the end of the hose into the inlet. For non-switched hoses: inserting the hose automatically turns on the power unit; removing the hose shuts off the power unit. Some hoses have switches which can be used to activate the power unit. As you vacuum, dirt and dust are transported to the power unit where they remain in a disposable bag.

NOTE: The rocker switch on the front of the power unit can be used to turn the power unit on.

Use the cleaning tools as you would for any other vacuum cleaner. Avoid picking up pine needles, coffee sticks and other similar objects. These kinds of objects may become lodged in the hose or tubing.

2. DETAILED VIEW



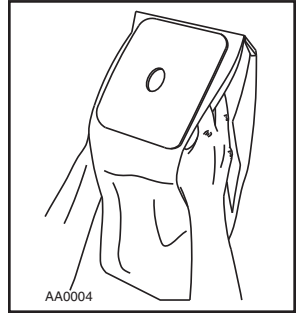
3. WHEN TO CHANGE BAG

With a 6 U.S. Gallons capacity, under normal conditions the bag requires changing approximately twice a year. If the bag is filled, you will notice a complete loss of vacuum in the system. Unless this loss of vacuum is caused by a blockage in the system, changing the bag will solve the problem.

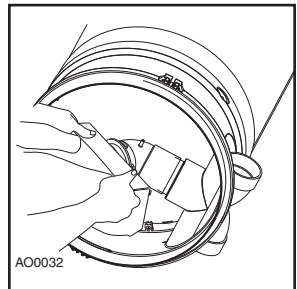
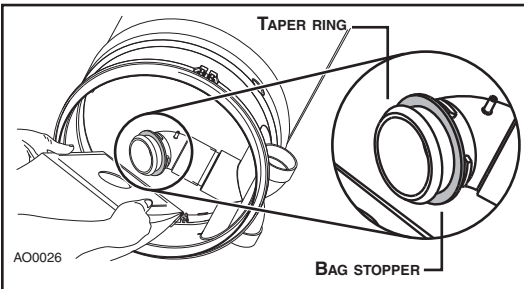
NOTE: Even if not filled to capacity, if the bag seems tightly stretched when removing the debris pail, changing the bag will prevent it from tearing.

4. BAG REPLACEMENT

1. To remove the disposable bag, release both latches on sides of the unit by pulling out and then pushing up. Remove the pail from unit. Grasp the edges of the bags' collar and pull down. The bag will slide off easily. Do not pull on the bag.
2. Unfold new bag.
3. Grasp collar where indicated on the bag and insert over bag adapter. Be careful not to tear the bag. Ensure that the collar is positioned between the taper ring and the bag stopper on the bag adapter (see illustration below). Put the pail back in its place.



NOTE : A set of 3 replacement bags (model 391) may be purchased from you local NuTone Sales Outlet. To locate your nearest NuTone Sales Outlet, call toll free 1-888-336-3948.



5. SECONDARY FILTER

A secondary safety filter, located at the top of the inlet chamber provides protection against dirt being pulled into the motor if the disposable bag should accidentally be torn. This filter should be checked and cleaned if necessary, when replacement bag is installed. Simply brush filter clean. If the filter is excessively soiled, wash in a mild detergent and let it dry **completely** before reinstalling.

CAUTION

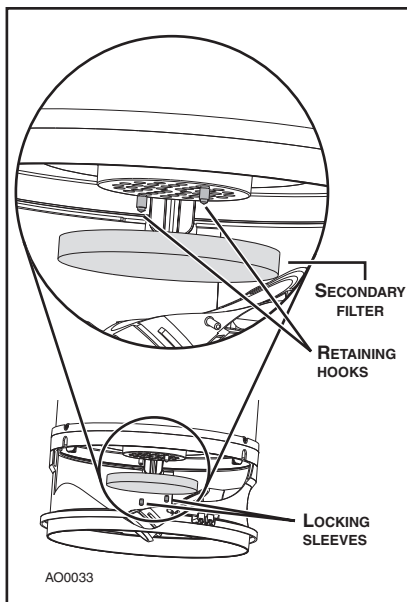
Operating the power unit without the secondary filter will void the warranty.

5.1 REMOVING FILTER

Remove debris pail and disposable bag. Remove both locking sleeves from the retaining hooks. Carefully pull filter down to remove.

5.2 REINSTALLING FILTER

To reinstall the secondary filter, reverse the steps described above.



NOTE: A replacement secondary filter (part no. 10941310) may be purchased from you local NuTone Sales Outlet. To locate your nearest NuTone Sales Outlet, call toll free 1-888-336-3948.

WARNING

When performing installation, servicing or cleaning the unit, it is recommended to wear safety glasses and gloves.

6. POWER UNIT INSTALLATION

6.1 LOCATING THE POWER UNIT

- Locate the power unit away from the general living area in an accessible location for cleaning and maintenance.
- Locate the power unit within 6 feet of a grounded electrical outlet. The power unit requires a 120 VAC power source.
- Do not locate the power unit close to a source of extreme heat (i.e.: water heater) or in an area with a high ambient temperature (i.e.: attic, furnace room).
- Do not locate the power unit where the temperature can drop below 0°C (32°F).
- If the power unit is located in a closet or a small utility room, make sure the area is well-ventilated (i.e.: with door louvers).

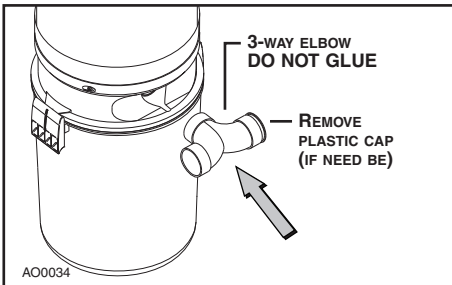
NOTE: Refer to NuTone website for information on tubing installation (www.nutone.com).

6.2 MOUNTING POWER UNIT

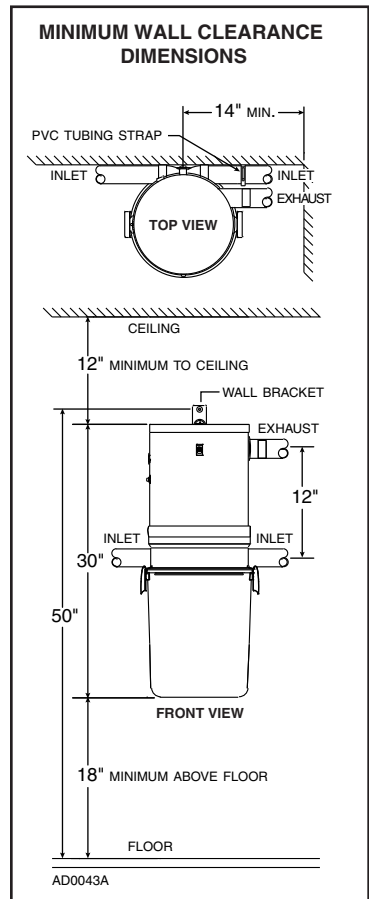
CAUTION

Make sure to assemble the wall mounting bracket with the screws directly onto a wall stud for a solid installation.

1. Carefully remove debris pail from power unit. Make sure bag is properly installed in power unit. Remove accessories and installation kit. Securely reinstall pail.
2. Install the 3-way elbow on the back of the power unit and press firmly (**do not glue**). Remove the plastic cap from the inlet opening only if your installation requires the connection into both inlets.

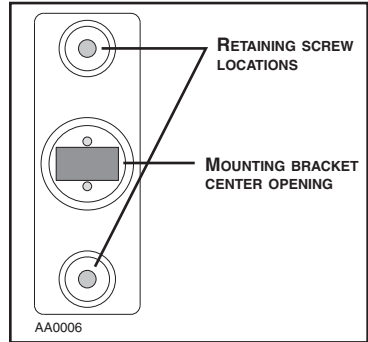


3. Install mounting bracket on a wall stud within 6 feet of a grounded electrical outlet, at the distances specified on illustration beside. Ensure that wall between mounting bracket and inlet is straight and leveled.



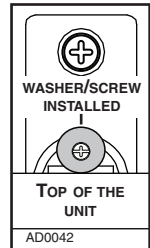
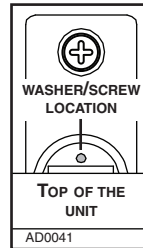
6. POWER UNIT INSTALLATION (CONT'D)

- Use the mounting bracket as a template to mark the position of its screws. Drill the upper and lower screw holes into the stud using a 3/16" drill bit.



- Using a Phillips screwdriver, secure the mounting bracket to the wall with 2 no. 14 x 2" screws (included). Make sure that the bracket is tight against the wall.

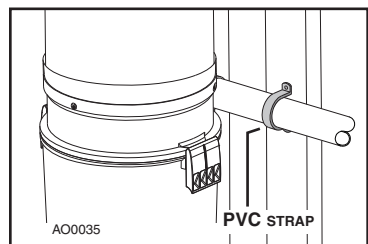
- Hang the power unit by inserting its back hook into the center opening of its mounting bracket. Make sure hook is securely engaged in bracket. Secure the power unit to the mounting bracket, with the provided no. 6 x 3/8" screw and washer into the small remaining hole using a Phillips screwdriver (see illustrations beside).



- Run house vacuum line up to the 3-way elbow behind the power unit. Secure house vacuum line to the appropriate 3-way elbow opening with PVC glue (**do not glue the 3-way elbow to the power unit**).
- Connect muffler (if desired) and exhaust tubing to exhaust outlet on top of the power unit. The exhaust should not be vented into a wall, ceiling or concealed space in the house. Exterior vented exhaust lines should end using model CI330 exhaust vent.

NOTE: Exhausting the power unit to the outside is recommended for optimal performance but is not required.

- Once everything is in place, secure the piping (near the elbow) to the wall using the included PVC strap.



7. GROUNDING INSTRUCTIONS

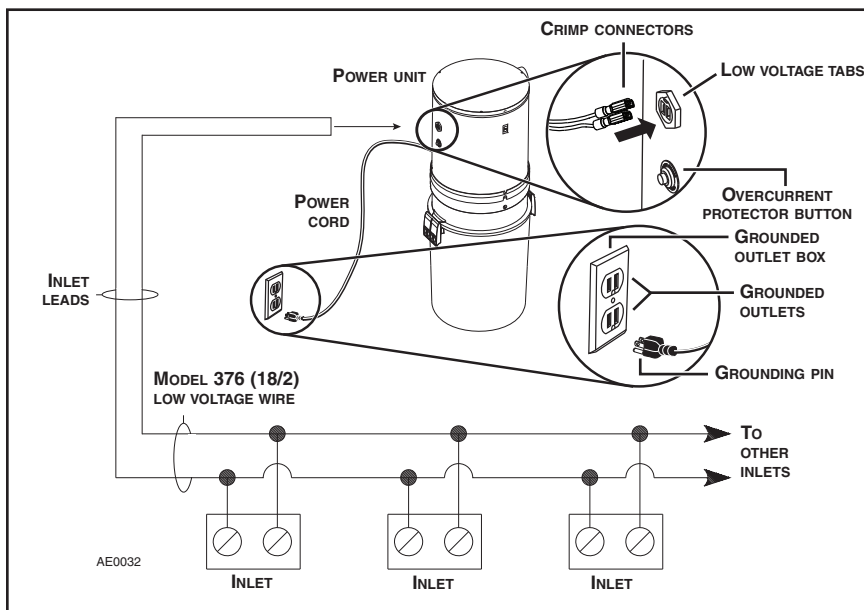
⚠ WARNING

Improper connection of the equipment-grounding conductor can result in a risk of electric shock. Check with a qualified electrician or service person if you are in doubt as to whether the outlet is properly grounded. Do not modify the plug provided with the appliance — if it will not fit the outlet, have a proper outlet installed by a qualified electrician.

This appliance must be grounded. If it should malfunction or break down, grounding provides a path of least resistance for electric current, to reduce the risk of electric shock. This appliance is equipped with a cord having an equipment-grounding conductor and grounding plug. The plug must be inserted into an appropriate outlet that is properly installed and grounded in accordance with all local codes and ordinances.

This appliance is for use on a nominal 120-volt circuit and has a grounding attachment plug that looks like the plug illustrated below. Make sure that the appliance is connected to an outlet having the same configuration as the plug. No adapter should be used with this appliance.

1. Using pliers, install both crimp connectors (included) to low voltage wire (18 gauge minimum, 2-conductor, model 376, not included).
2. Connect low voltage wire to tabs located on outside of the power unit.
3. The power unit is equipped with a 6-foot grounded cord. Plug cord into 120-volt grounded receptacle.



NOTE: INLET LEADS TO BE CONNECTED TO POWER UNIT LOW VOLTAGE TABS USING CRIMP CONNECTORS (INCLUDED) AND LOW VOLTAGE HARNESS.

8. TROUBLESHOOTING GUIDE

PROBLEMS	POSSIBLE CAUSES	POSSIBLE REMEDY
1. Loss or decrease of vacuum occurs.	<ul style="list-style-type: none"> The plastic cap is not installed on the unused inlet. Debris pail or disposable bag is completely full. Obstruction in the hose. A blockage in the hose can be determined by inserting the hose into any wall inlet and, while power unit is running, check each additional inlet for normal suction by holding the palm of your hand over the open inlet. If normal suction is felt at all other inlets, insert the hose into a second inlet. If the blockage still exists it is located in the hose. However, if the blockage does not occur when the hose is changed, the blockage is probably located in the tubing system leading to the original inlet. Obstruction in the tubing system inside the walls. Wall inlet cover not properly sealed. 	<ul style="list-style-type: none"> Place the included plastic cap on the unused inlet opening. Change disposable bag or empty debris pail as described on page 4. <p>NOTE: Clean secondary filter if necessary.</p> <ul style="list-style-type: none"> Disconnect the hose from the wall inlet and insert a blunt instrument into the hose — slightly smaller in diameter — such as a flexible garden hose. Push the garden hose through the cleaning system hose until the obstruction has been cleared. Insert hose end into any inlet with power unit running, place the palm of your hand over the opposite end of the hose. When you can feel the suction increase, hold your hand over the hose end for a few seconds and then quickly remove your hand. This procedure repeated several times should clear the obstruction. If the blockage is not cleared, contact your nearest Service Center. Check all wall inlet covers to be sure they are closed and sealed tightly.
2. Power unit does not start or stops suddenly.	<ul style="list-style-type: none"> Defective inlet. Check other wall inlets. Power unit overcurrent protector has been activated. Blown fuse or tripped circuit breaker on house electrical panel. Thermoprotector has been activated. Defective hose. 	<ul style="list-style-type: none"> Replace defective wall inlet. Turn the unit off by using the power switch on the unit. Check the overcurrent protector button located on the left side of the power unit (push to reset the system). Turn unit back on. Replace fuse or reset circuit breaker on house electrical panel. Turn the unit off by using the power switch on the unit. Wait 30 minutes to let the unit cool down. Turn unit back on. Replace hose as required.
3. Power unit fails to stop when the hose is removed.	<ul style="list-style-type: none"> An electrical short has occurred somewhere in the system. 	<ul style="list-style-type: none"> A complete check of all wall inlets and power unit low voltage control leads connections. Contact your authorized Service Center.

NuTone®

ONE YEAR LIMITED WARRANTY

WARRANTY OWNER: NuTone warrants to the original consumer purchaser of its products that such products will be free from defects in materials or workmanship for a period of one (1) year from the date of original purchase. **THERE ARE NO OTHER WARRANTIES, EXPRESS OR IMPLIED, INCLUDING, BUT NOT LIMITED TO, IMPLIED WARRANTIES OF MERCHANTABILITY OR FITNESS FOR A PARTICULAR PURPOSE.**

During this one year period, NuTone will, at its option, repair or replace, without charge, any product or part which is found to be defective under normal use and service. **THIS WARRANTY DOES NOT APPLY TO CONSUMABLES SUCH AS BELTS.** This warranty does not cover (a) normal maintenance and service or (b) any products or parts which have been subject to misuse, negligence, accident, improper maintenance or repair (other than by NuTone), faulty installation or installation contrary to recommended installation instructions.

The duration of any implied warranty is limited to the one year period as specified for the express warranty. Some states do not allow limitation on how long an implied warranty lasts, so the above limitation may not apply to you.

NUTONE'S OBLIGATION TO REPAIR OR REPLACE, AT NUTONE'S OPTION, SHALL BE THE PURCHASER'S SOLE AND EXCLUSIVE REMEDY UNDER THIS WARRANTY. NUTONE SHALL NOT BE LIABLE FOR INCIDENTAL, CONSEQUENTIAL OR SPECIAL DAMAGES ARISING OUT OF OR IN CONNECTION WITH PRODUCT USE OR PERFORMANCE. Some states do not allow the exclusion or limitation of incidental or consequential damages, so the above limitation or exclusion may not apply to you. This warranty gives you specific legal rights, and you may also have other rights, which vary from state to state. This warranty supersedes all prior warranties.

WARRANTY SERVICE: To qualify for warranty service, you must (a) notify NuTone at the address stated below or following telephone number 1-888-336-6151, (b) give the model number and part identification and (c) describe the nature of any defect in the product or part. At the time of requesting warranty service, you must present evidence of the original purchase date.

Date of installation

Builder or Installer

Model no. and product description

Serial no.

IF YOU NEED ASSISTANCE OR SERVICE:

For the location of your nearest NuTone Independent Authorized Service Center:

Residents of the contiguous United States Dial Free 1-888-336-3948

Please be prepared to provide:

Product model number • Date and Proof of purchase • The nature of the difficulty

Residents of Alaska or Hawaii should write to: Broan-NuTone LLC

Attn: Technical Services, 9825 Kenwood Road Suite 301, Cincinnati, Ohio 45242

Residents of Canada should write to: Broan-NuTone Canada,

1140 Tristar Drive, Mississauga, Ontario, Canada L5T 1H9

www.nutone.com

Rev. 01/2010

Product specifications subject to change without notice.

NuTone®

ASPIRADORA CENTRAL

⚠ TIPO DOMÉSTICO ⚠

CV400

MODELO N.º SFDB-DC



INSTRUCCIONES DE FUNCIONAMIENTO LEA Y CONSERVE ESTAS INSTRUCCIONES

Broan-NuTone LLC
Hartford, Wisconsin
www.nutone.com
888-336-3948

Para registrar este producto vaya a www.nutone.com

30042420 Rev. E

INSTRUCCIONES DE SEGURIDAD IMPORTANTES

LEA TODAS LAS INSTRUCCIONES ANTES DE USAR EL APARATO.

Al usar un aparato eléctrico siempre hay que tomar ciertas precauciones básicas, entre ellas las siguientes:

ADVERTENCIA

PARA REDUCIR EL RIESGO DE INCENDIO, CHOQUE ELÉCTRICO O DAÑOS CORPORALES:

- No utilice el aparato en superficies húmedas ni en el exterior.
- No permita que se use como un juguete. Preste mucha atención cuando lo utilice un niño o haya niños cerca.
- Sólo debe utilizarse como se indica en este manual. Utilice sólo los accesorios aconsejados por el fabricante.
- No ponga ningún objeto en las aberturas. No lo utilice con las aberturas bloqueadas; manténgase siempre limpio de polvo, pelusa, pelo y cualquier objeto que pueda reducir la circulación de aire.
- Mantenga los cabellos, la ropa amplia, los dedos y todas las partes del cuerpo lejos de las aberturas y piezas móviles.
- No aspire objetos que ardan o desprendan humo, como cigarrillos, cerillas o cenizas calientes.
- No lo utilice cuando el saco colector de polvo no esté en su sitio.
- No lo utilice para aspirar hojas ni escombros.
- No aspire líquidos ni polvo fino (como el polvo de paneles murales en seco).
- No ponga ningún objeto sobre el aparato.
- Compruebe que el aire circula sin dificultad por las tomas de aire de ambos lados y que las salidas de aire no están obstruidas por la salida superior.
- No instale el aparato horizontalmente.
- No utilice la cubeta como una cubeta para lavar.
- No utilice la cubeta como taburete.
- Apague todos los controles antes de desenchufar.
- Tenga más cuidado al limpiar escaleras.
- Evite aspirar objetos cortantes.
- No use el aparato para aspirar líquidos inflamables ni combustibles, como gasolina, ni en zonas donde pueda haber estos líquidos.
- No lo utilice cuando el cable o el enchufe esté dañado. Si el aparato no funciona correctamente, si se cayó, dañó, se dejó fuera o cayó en el agua, envíelo a un centro de servicio.
- No desenchufe el aparato jalando el cable. Para desenchufarlo, sujete y jale el enchufe, no el cable.
- No manipule el enchufe ni el aparato con las manos húmedas.
- Enchúfese sólo en una toma debidamente conectada a tierra. Véanse las instrucciones para la conexión a tierra en la página 8.
- Para cualquier operación de mantenimiento o reparación distinta a las que se aconsejan en este manual, diríjase a un centro de servicio autorizado.
- Le aconsejamos que un técnico especializado revise el aparato una vez al año.

CONSERVE ESTAS INSTRUCCIONES

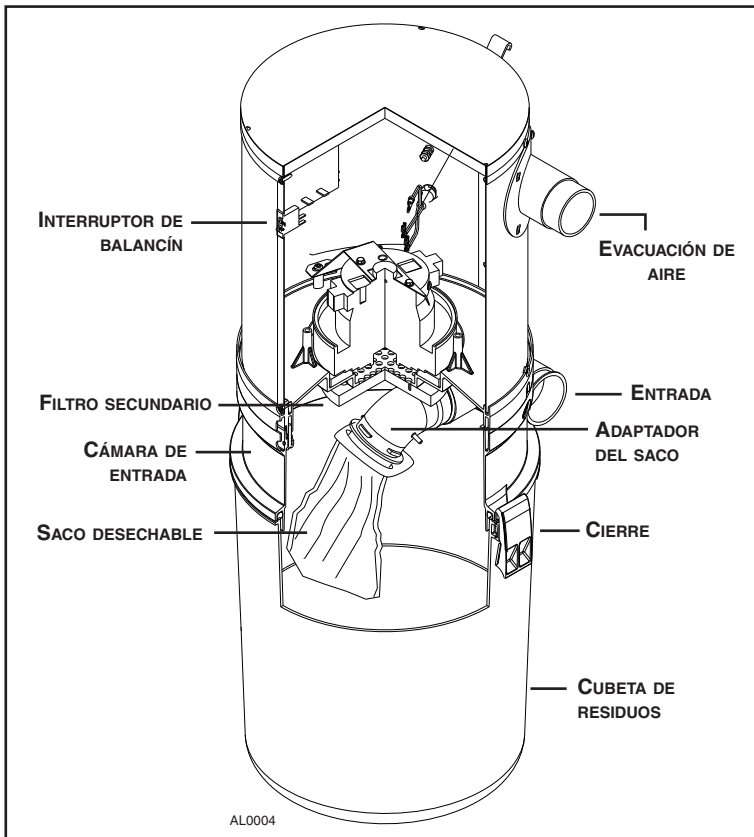
1. FUNCIONAMIENTO

La unidad de potencia está ubicada lejos de las zonas del hogar que se usan diariamente (habitualmente en el garaje, sótano o cuarto de servicio). La unidad se conecta con una serie de puntos de entrada situados estratégicamente en la vivienda a través de una red de tuberías fuertes y ligeras. Cuando usted esté listo para limpiar, debe poner el brazo y la herramienta de limpieza del aparato en el extremo de la manguera. Abra la tapa de la entrada e introduzca el extremo de la manguera en la entrada. En el caso de las mangueras sin interruptor, al introducir la manguera, la unidad de potencia se pone en marcha automáticamente; al retirarla, la unidad de potencia se apaga. Algunas mangueras tienen interruptores que se pueden utilizar para activar la unidad de potencia. Al aspirar, la suciedad y el polvo van a la unidad de potencia donde se depositan en un saco desechable.

NOTA: El interruptor de balancín de la parte delantera de la unidad de potencia se puede usar para poner en marcha la unidad de potencia.

Use las herramientas de limpieza como haría con cualquier aspiradora. Evite recoger agujas de pino, bastoncillos para remover el café y objetos similares ya que pueden quedarse bloqueados en la manguera o en la tubería.

2. ILUSTRACIÓN DETALLADA



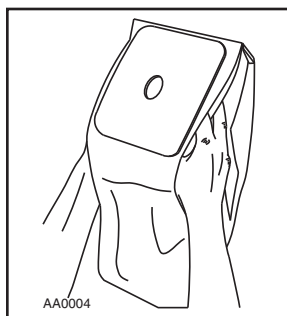
3. MOMENTO DE CAMBIAR EL SACO

El saco tiene una capacidad de 6 galones U.S. y, en condiciones normales de uso, se cambia dos veces al año. Si el saco está lleno, notará una pérdida completa de fuerza de aspiración del sistema. A menos que esta pérdida haya sido causada por un bloqueo del sistema, el problema se resuelve cambiando el saco.

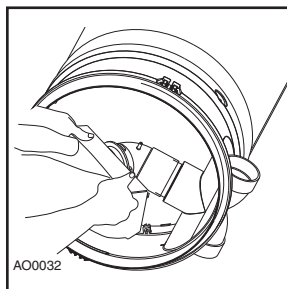
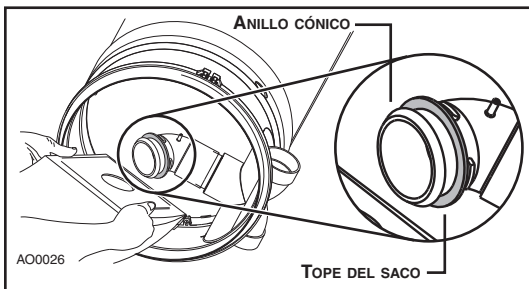
NOTA: Aunque no esté lleno totalmente, si el saco parece distorsionado al quitar la cubeta de residuos, cámbielo para evitar que se rompa.

4. SUSTITUCIÓN DEL SACO

1. Para quitar el saco desechable, suelte ambos cierres en los lados del aparato separándolos y empujando. Retire la cubeta del aparato. Sujete los bordes de la abrazadera del saco y jale hacia abajo. El saco se desprenderá fácilmente. No jale el saco.
2. Despliegue el nuevo saco.
3. Sujete la abrazadera en el lugar indicado en el saco e introdúzcala sobre el adaptador del saco. Procure no romper el saco. Compruebe que la abrazadera esté situada entre el anillo cónico y el tope del saco (véase la ilustración abajo). Vuelva a colocar la cubeta en su lugar.



NOTA : En su punto de venta local de NuTone podrá adquirir un conjunto de 3 sacos de recambio (modelo 391). Para saber dónde se encuentra el punto de venta de NuTone más próximo, llame sin gastos al 1-888-336-3948.



5. FILTRO SECUNDARIO

El filtro de seguridad secundario —situado en la parte superior de la cámara de entrada— protege el aparato contra la suciedad que podría ir al motor si el saco desechable se rompiera accidentalmente. Este filtro debe verificarse —y limpiarse de ser necesario— cuando se instale el saco de recambio. Para limpiarlo, basta con cepillarlo. Si el filtro está demasiado sucio, lávelo en una disolución de agua y detergente suave y deje que seque **completamente** antes de volver a instalarlo.

PRECAUCIÓN

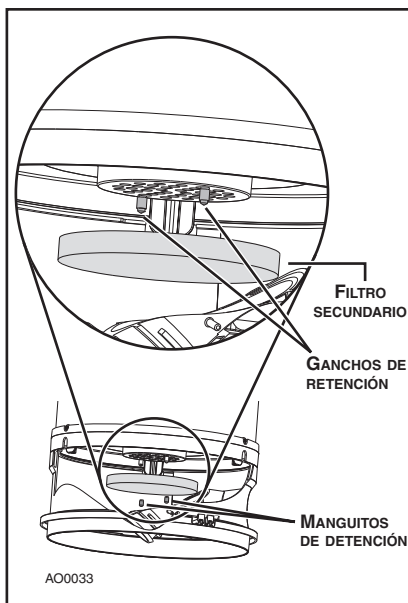
La garantía se anulará si se utiliza la unidad de potencia sin el filtro secundario.

5.1 PARA RETIRAR EL FILTRO

Retire la cubeta de residuos y el saco desechable. Quite ambos manguitos de detención de los ganchos de retención. Jale el filtro cuidadosamente hacia abajo para quitarlo.

5.2 PARA VOLVER A INSTALAR EL FILTRO

Para volver a instalar el filtro secundario, repita en sentido inverso las etapas anteriores.



NOTA: En su punto de venta local de NuTone podrá adquirir un filtro secundario de recambio (n.º de pieza 10941310). Para saber dónde se encuentra el punto de venta de NuTone más próximo, llame sin gastos al 1-888-336-3948.

⚠ PRECAUCIÓN

Se aconseja llevar lentes y guantes de seguridad para instalar, reparar o limpiar la campana.

6. INSTALACIÓN DE LA UNIDAD DE POTENCIA

6.1 UBICACIÓN DE LA UNIDAD DE POTENCIA

- Ubique la unidad de potencia lejos de las zonas habitables generales, en un lugar accesible para las operaciones de limpieza y mantenimiento.
- Coloque la unidad de potencia a menos de 6 pies de una toma eléctrica conectada a tierra. La unidad de potencia requiere una fuente de alimentación de 120 V ca.
- No coloque la unidad de potencia cerca de una fuente de calor extremo (como un calentador de agua) ni en una zona con una temperatura ambiente alta (como un ático o una sala de calderas).
- No coloque la unidad de potencia en un lugar donde la temperatura pueda bajar por debajo de 0°C (32°F).
- Si se coloca la unidad de potencia en un armario o cuarto de servicio pequeño, compruebe que el lugar esté bien ventilado (p. ej., puertas con rejillas de ventilación).

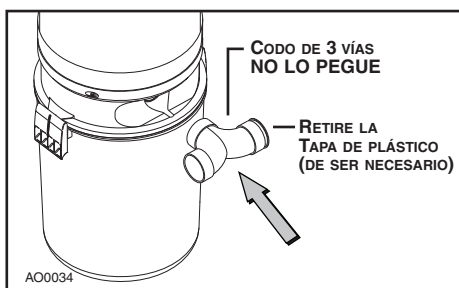
NOTA: Para mayor información sobre la instalación de la tubería, consulte el sitio web de NuTone (www.nutone.com).

6.2 MONTAJE DE LA UNIDAD DE POTENCIA

PRECAUCIÓN

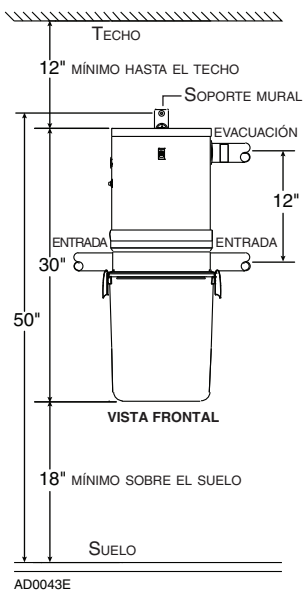
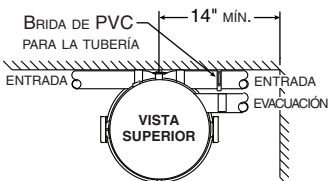
Para que la instalación sea sólida, instale el soporte de montaje mural con los tornillos directamente en un poste mural.

1. Retire cuidadosamente la cubeta de residuos de la unidad de potencia. Compruebe que el saco está instalado debidamente en la unidad. Retire los accesorios y conjunto para la instalación. Vuelva a instalar la cubeta.
2. Instale el codo de tres vías en la parte trasera de la unidad de potencia y presione en él firmemente (**no lo pegue**). Retire la tapa de plástico de la entrada sólo si su instalación requiere la conexión en ambas entradas.



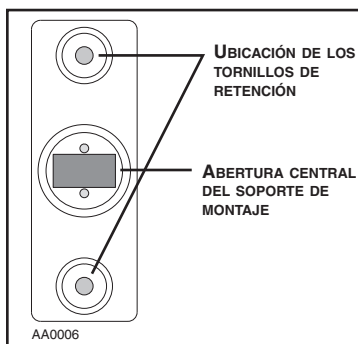
3. Instale el soporte de montaje en un poste mural a menos de 6 pies de una toma eléctrica conectada a tierra, conforme a las distancias indicadas en la ilustración de al lado. Compruebe que la pared entre el soporte de montaje y la entrada esté lisa y a nivel.

DIMENSIONES DE SEGURIDAD MÍNIMAS CON RESPECTO A LA PARED



6. INSTALACIÓN DE LA UNIDAD DE POTENCIA (continuación)

- Use el soporte de montaje como plantilla para marcar la ubicación de sus tornillos. Taladre el agujero superior y el inferior de los tornillos en el poste con una barrena de 3/16 pulg.



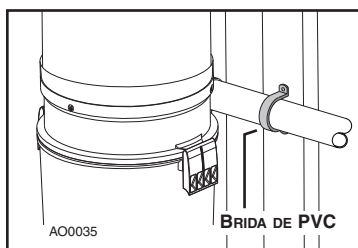
- Utilice un destornillador Phillips para sujetar el soporte de montaje a la pared con los 2 tornillos n.º 14 x 2 pulg. (provistos). Compruebe que el soporte esté bien instalado en la pared.
- Cuelgue la unidad de potencia introduciendo su gancho trasero en la abertura central de su soporte de montaje. Compruebe que el gancho esté bien introducido en el soporte. Sujete la unidad de potencia al soporte de montaje colocando el tornillo n.º 6 x 3/8 pulg. y la arandela provistos en el agujero pequeño que queda; use para ello un destornillador Phillips (véanse las ilustraciones de al lado).



- Lleve el tubo de aspiración hasta el codo de 3 vías detrás de la unidad de potencia. Sujete el tubo de aspiración a la abertura apropiada del codo de 3 vías con cola de PVC (**no pegue el codo de 3 vías a la unidad de potencia**).
- Conecte el silenciador (si desea) y la tubería de evacuación a la evacuación de aire en la parte superior de la unidad de potencia. La evacuación de aire no debe realizarse en una pared, el techo o un espacio oculto de la casa. Los tubos de evacuación con salida al exterior deben terminar con un conducto de salida modelo C1330.

NOTA: Para un rendimiento óptimo, se aconseja que la evacuación del aire de la unidad se haga en el exterior, aunque no es necesario.

- Una vez terminada la instalación, sujete la tubería (cerca del codo) a la pared con la brida de PVC.



7. INSTRUCCIONES PARA LA CONEXIÓN A TIERRA

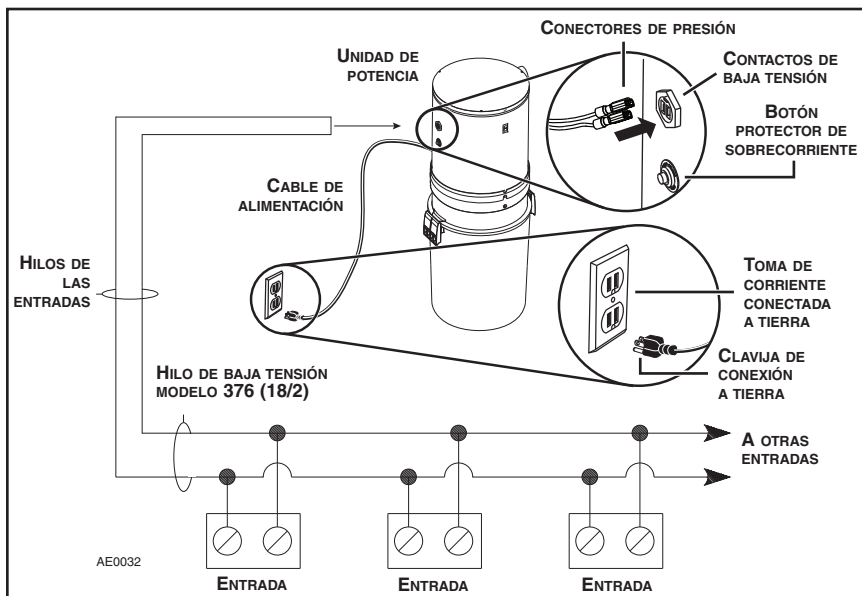
⚠ ADVERTANCIA

Si no se conecta debidamente el conductor de conexión a tierra existe el riesgo de choque eléctrico. Si no está seguro de que la toma no está conectada a tierra, consulte con un electricista o con personal de servicio calificado. No modifique el enchufe que viene con el aparato. Si no entra en la toma de corriente, haga que un electricista calificado instale una toma adecuada.

Este aparato debe conectarse a tierra. En caso de mal funcionamiento o de avería, la conexión a tierra ofrece una vía de mínima resistencia a la corriente eléctrica para reducir el riesgo de choque eléctrico. El aparato viene equipado con un cable que lleva un conductor de conexión a tierra y un enchufe para dicha conexión. El enchufe debe introducirse en una toma eléctrica apropiada, debidamente instalada y conectada a tierra, conforme a todos los códigos y disposiciones correspondientes.

El aparato está pensado para usar en un circuito de 120 voltios nominales y tiene un enchufe de conexión a tierra que se parece al enchufe ilustrado a continuación. Compruebe que el aparato esté conectado a una toma que tenga la misma configuración que el enchufe. No debe emplearse ningún adaptador con este aparato.

1. Utilice unos alicates para instalar los dos conectores de presión (incluidos) al hilo de baja tensión (calibre mínimo 18, 2 conductores, modelo 376, no incluido).
2. Conecte el hilo de baja tensión a los contactos situados en la parte exterior de la unidad de potencia.
3. La unidad de potencia viene equipada con un cable de alimentación con conexión a tierra de 6 pies. Enchufe el cable en una toma conectada a tierra de 120 voltios.



NOTA: LOS HILOS DE LAS ENTRADAS HAN DE CONECTARSE A LOS CONTACTOS DE BAJA TENSIÓN DE LA UNIDAD DE POTENCIA MEDIANTE LOS CONECTORES DE PRESIÓN (INCLUIDOS) Y EL CABLEADO DE BAJA TENSIÓN.

8. GUÍA PARA LA SOLUCIÓN DE PROBLEMAS

PROBLEMA	CAUSAS POSIBLES	SOLUCIONES POSIBLES
1. Pérdida o disminución de la fuerza de aspiración.	<ul style="list-style-type: none"> La tapa de plástico no está instalada en la entrada que no está utilizada. El saco desechable está completamente lleno. Obstrucción en la manguera. Para comprobarlo, introduzca la manguera en cualquier entrada mural y, con la unidad de potencia en marcha, verifique si cada entrada aspira normalmente colocando la palma de la mano en la entrada abierta. Si la aspiración parece normal en todas las demás entradas, ponga la manguera en otra entrada. Si el bloqueo sigue, está situado en la manguera. Sin embargo, si el bloqueo no se produce al cambiar la manguera, es probable que el problema esté en el sistema de tuberías que lleva a la entrada original. Obstrucción en el sistema de tuberías dentro de las paredes. Tapa de la entrada mural no sellada debidamente. 	<ul style="list-style-type: none"> Colocar la tapa de plástico (incluida) en la entrada que no está utilizada. Sustituya el saco desechable conforme a las indicaciones de la página 4. <p>NOTA: Verifique si se ha acumulado suciedad y polvo en el filtro secundario y límpielo si es necesario.</p> <ul style="list-style-type: none"> Desconecte la manguera de la entrada mural e introduzca un instrumento romo en la manguera (de diámetro ligeramente más pequeño), como una manguera de jardín flexible. Empuje la manguera de jardín a través de la manguera del sistema de limpieza hasta eliminar la obstrucción. Introduzca el extremo de la manguera en cualquier entrada con la unidad de potencia en marcha; coloque la palma de la mano en el extremo opuesto de la manguera. Cuando sienta que la fuerza de aspiración aumenta, mantenga la mano sobre el extremo de la manguera durante unos segundos y retírela rápidamente. Repita la operación varias veces hasta que desaparezca la obstrucción. Si el bloqueo continúa, comuníquese con el centro de servicio más próximo. Verifique todas las tapas de las entradas murales para comprobar que cierran y están selladas debidamente.
2. La unidad de potencia no se pone en marcha o se detiene de pronto.	<ul style="list-style-type: none"> Entrada defectuosa. Verifique las otras entradas murales. El protector de sobrecorriente de la unidad de potencia ha sido activado. Fusible fundido o circuito desconectado en el tablero eléctrico de la casa. Se ha activado el protector térmico. Manguera defectuosa. 	<ul style="list-style-type: none"> Sustituya la entrada mural defectuosa. Apague la unidad con el interruptor de alimentación. Verifique el botón protector de sobrecorriente situado en la parte izquierda de la unidad de potencia (presiónelo para reiniciar el sistema). Vuelva a encender la unidad. Sustituya el fusible o reinicie el cortacircuito en el tablero eléctrico de la casa. Apague la unidad con el interruptor de alimentación. Espere 30 minutos a que se enfríe la unidad. Vuelva a encender la unidad. Sustituya la manguera.
3. La unidad de potencia no se detiene cuando se retira la manguera.	<ul style="list-style-type: none"> Se ha producido un cortocircuito eléctrico en el sistema. 	<ul style="list-style-type: none"> Verifique todas las conexiones de los hilos de las entradas murales y de control de baja tensión de la unidad de potencia. Comuníquese con un centro de servicios autorizado.

NuTone®

GARANTÍA LIMITADA DE UN AÑO

PROPIETARIO DE LA GARANTÍA: NuTone garantiza al cliente original que adquiere sus productos que dichos productos están exentos de cualquier defecto en los materiales y de mano de obra durante un periodo de un (1) año a partir de la fecha de compra original. **NO EXISTE NINGUNA OTRA GARANTÍA, EXPRESA O IMPLÍCITA, INCLUYENDO —AUNQUE SIN LIMITARSE A ELLAS— LAS GARANTÍAS IMPLÍCITAS DE COMERCIABILIDAD O IDONEIDAD PARA UNA FINALIDAD CONCRETA.**

Durante el periodo señalado de un año, NuTone reparará o sustituirá, según considere necesario, sin costo alguno, cualquier producto o pieza que resulte defectuosa en condiciones normales de uso y mantenimiento. **ESTA GARANTÍA NO SE APLICA A LOS BIENES CONSUMIBLES, COMO LAS CORREAS.** Esta garantía no cubre a) el mantenimiento y el servicio normales, o b) ningún producto ni ninguna pieza que haya sido objeto de una mala utilización, negligencia, accidente, mantenimiento o reparaciones inadecuados (no realizados por NuTone), instalación defectuosa o instalación contraria a las instrucciones de instalación recomendadas.

La duración de cualquier garantía implícita se limita al periodo de 1 año especificado en la garantía expresa. Algunos estados no permiten la limitación de la duración de una garantía implícita, de modo que en ellos no se aplicará dicha limitación.

LA OBLIGACIÓN DE NUTONE DE REPARACIÓN O SUSTITUCIÓN, SEGÚN CONSIDERE OPORTUNO NUTONE, SERÁ EL ÚNICO RECURSO DEL COMPRADOR CONFORME A ESTA GARANTÍA. NUTONE NO SERÁ RESPONSABLE DE DAÑOS INDIRECTOS, CONSECUENCIALES O ESPECIALES DEBIDOS O RELACIONADOS CON LA UTILIZACIÓN O EL FUNCIONAMIENTO DEL PRODUCTO. Algunos estados no permiten la exclusión o limitación de los daños indirectos o consecuenciales, de modo que la limitación o exclusión anterior no se aplicará a ellos. Esta garantía le otorga derechos legales específicos aunque puede que usted también goce de otros derechos, dependiendo del estado. Esta garantía sustituye a cualquier otra garantía anterior.

SERVICIO DE GARANTÍA: Para tener derecho al servicio cubierto por la garantía, debe usted: a) avisar a NuTone en la dirección que se indica abajo o por teléfono en el número 1-888-336-6151; b) dar el número de modelo y el número de identificación de la pieza, y c) describir el tipo de defecto en el producto o pieza. Al solicitar el servicio cubierto por la garantía, deberá presentar una prueba de la fecha de compra original.

Fecha de instalación

Constructor o instalador

N.º de modelo y descripción del producto

N.º de serie

SI NECESITA ASISTENCIA O EFECTUAR UNA REPARACIÓN:

Para saber dónde se encuentra el centro independiente de servicio autorizado por NuTone más próximo a usted:

Residentes de los Estados Unidos contiguos, línea gratuita: 1-888-336-3948

Prepárense a dar la siguiente información:

Número de modelo del producto – Fecha y comprobante de compra – Tipo de problema

Los residentes de Alaska o Hawai deben escribir a: Broan-NuTone LLC
Attn: Technical Services, 9825 Kenwood Road Suite 301, Cincinnati, Ohio 45242

Los residentes de Canadá deben escribir a: Broan-NuTone Canada,
1140 Tristar Drive, Mississauga, Ontario, Canada L5T 1H9

www.nutone.com

Rev. 01/2010

Las especificaciones del producto pueden cambiar sin aviso previo.

Free Manuals Download Website

<http://myh66.com>

<http://usermanuals.us>

<http://www.somanuals.com>

<http://www.4manuals.cc>

<http://www.manual-lib.com>

<http://www.404manual.com>

<http://www.luxmanual.com>

<http://aubethermostatmanual.com>

Golf course search by state

<http://golfingnear.com>

Email search by domain

<http://emailbydomain.com>

Auto manuals search

<http://auto.somanuals.com>

TV manuals search

<http://tv.somanuals.com>