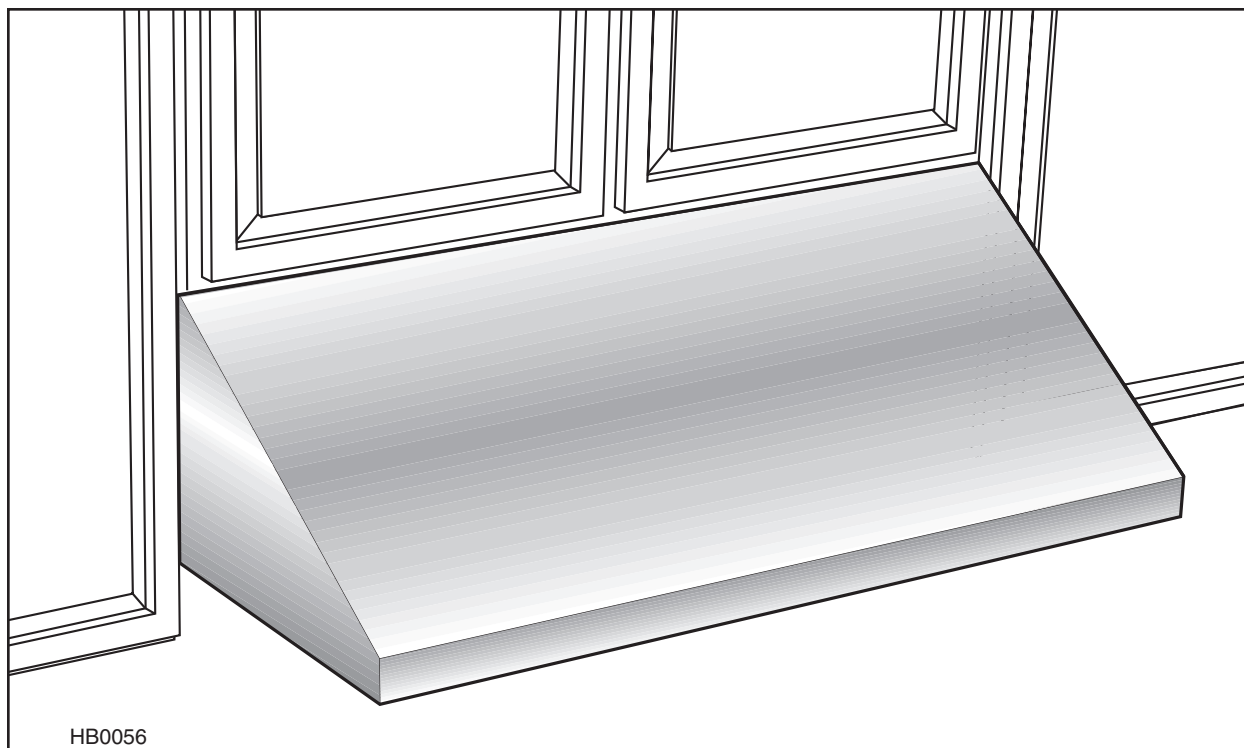


INSTALLATION INSTRUCTIONS

NuTone® *premier*



NP64000 SERIES

⚠ INTENDED FOR DOMESTIC COOKING ONLY ⚠

READ AND SAVE THESE INSTRUCTIONS

INSTALLER: LEAVE THIS MANUAL TO HOMEOWNER.
HOMEOWNER: USE AND CARE INFORMATION ON PAGES 11 TO 13

NuTone Inc., 4820 Red Bank Road, Cincinnati, OH 45227 (1-800-543-8687)

www.nutone.com

V07451 rev A

WARNING

TO REDUCE THE RISK OF FIRE, ELECTRIC SHOCK OR INJURY TO PERSONS, OBSERVE THE FOLLOWING:

1. Use this unit only in the manner intended by the manufacturer. If you have questions, contact the manufacturer at the address or telephone number listed in the warranty.
2. Before servicing or cleaning unit, switch power off at service panel and lock service disconnecting means to prevent power from being switched on accidentally. When the service disconnecting means cannot be locked, securely fasten a prominent warning device, such as a tag, to the service panel.
3. Installation work and electrical wiring must be done by qualified personnel in accordance with all applicable codes and standards, including fire-rated construction codes and standards.
4. Sufficient air is needed for proper combustion and exhausting of gases through the flue (chimney) of fuel burning equipment to prevent backdrafting. Follow the heating equipment manufacturer's guidelines and safety standards such as those published by the National Fire Protection Association (NFPA), and the American Society for Heating, Refrigeration and Air Conditioning Engineers (ASHRAE), and the local code authorities.
5. When cutting or drilling into wall or ceiling, do not damage electrical wiring and other hidden utilities.
6. Ducted fans must always be vented to the outdoors.
7. Do not use this unit with any additional solid-state speed control device.
8. To reduce the risk of fire, use only steel ductwork.
9. This unit must be grounded.

TO REDUCE THE RISK OF A RANGE TOP GREASE FIRE:

- a) Never leave surface units unattended at high settings. Boilovers cause smoking and greasy spillovers that may ignite. Heat oils slowly on low or medium settings.
- b) Always turn hood ON when cooking at high heat or when cooking flaming foods.
- c) Clean ventilating fans frequently. Grease should not be allowed to accumulate on fan or filter.
- d) Use proper pan size. Always use cookware appropriate for the size of the surface element.

WARNING

TO REDUCE THE RISK OF INJURY TO PERSONS IN THE EVENT OF A RANGE TOP GREASE FIRE, OBSERVE THE FOLLOWING*:

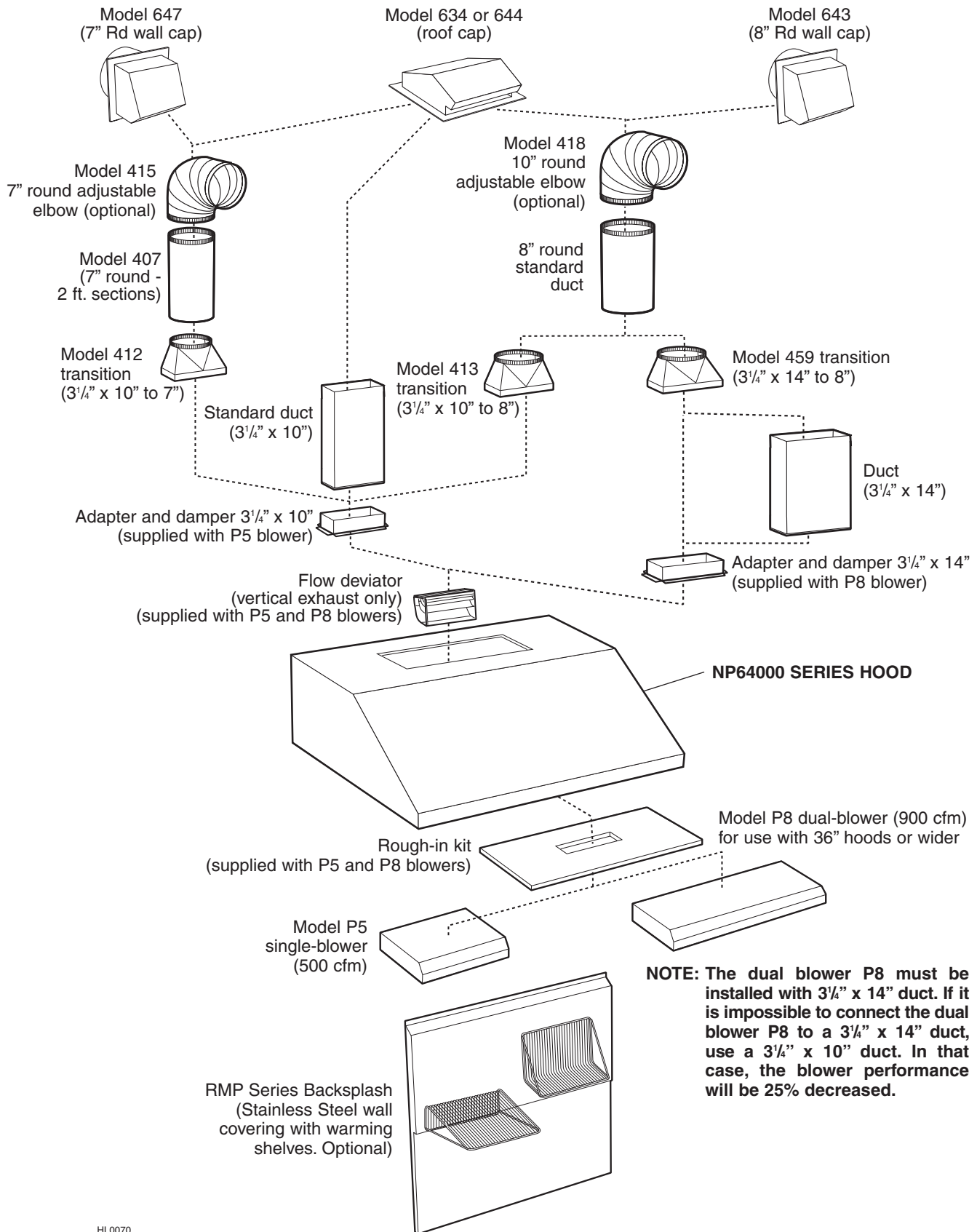
1. SMOTHER FLAMES with a close-fitting lid, cookie sheet or metal tray, then turn off the burner. BE CAREFUL TO PREVENT BURNS. IF THE FLAMES DO NOT GO OUT IMMEDIATELY, EVACUATE AND CALL THE FIRE DEPARTMENT.
2. NEVER PICK UP A FLAMING PAN – You may be burned.
3. DO NOT USE WATER, including wet dishcloths or towels – This could cause a violent steam explosion.
4. Use an extinguisher ONLY if:
 - A. You own a Class ABC extinguisher and you know how to operate it.
 - B. The fire is small and contained in the area where it started.
 - C. The fire department has been called.
 - D. You can fight the fire with your back to an exit.

* Based on "Kitchen Fire Safety Tips" published by NFPA.

CAUTION

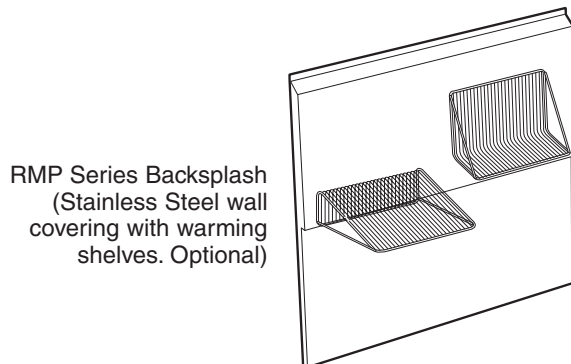
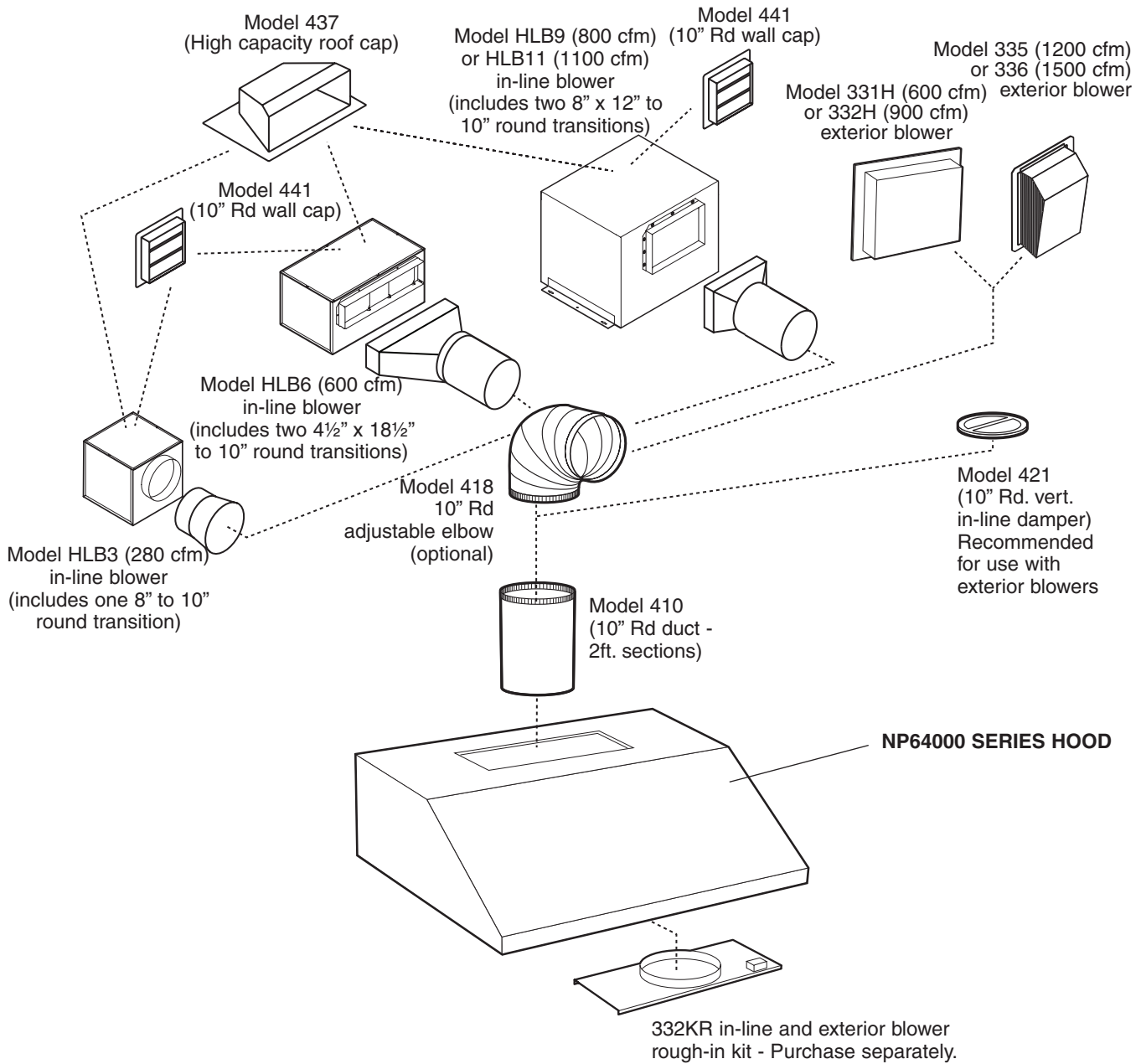
1. For general ventilating use only. Do not use to exhaust hazardous or explosive materials and vapors.
2. To avoid motor bearing damage and noisy and/or unbalanced impellers, keep drywall spray, construction dust, etc. off power unit.
3. Your hood motor has a thermal overload which will automatically shut off the motor if it becomes overheated. The motor will restart when it will be cooled down. If the motor continues to shut off and restart, have the hood serviced.
4. For best capture of cooking impurities, the bottom of the hood should be at a minimum of 20" (24" over a gas range) and at a maximum of 30" above the cooking surface.
5. Two installers are recommended because of the large size and weight of this hood.
6. To reduce the risk of fire and to properly exhaust air, be sure to duct air outside – Do not exhaust air into spaces within walls or ceiling or into attics, crawl space or garage.
7. This product is equipped with a thermostat which may start blower automatically. To reduce the risk of injury and to prevent power from being switched on accidentally, switch power off at service panel and lock or tag service panel.
8. Because of the high exhausting capacity of this hood, you should make sure enough air is entering the house to replace exhausted air by opening a window close to or in the kitchen.
9. To reduce the risk of fire and electric shock, the NuTone premier NP64000 Series hood must be installed with NuTone interior blower models P5 or P8; NuTone exterior blower models 331H, 332H, 335 or 336; NuTone in-line blowers models HLB3, HLB6, HLB9, HLB11. Other blowers cannot be substituted. (Blowers sold separately.)
10. Use with approved cord-connection kit only.
11. Please read specification label on product for further information and requirements.

- NP64000 SERIES RANGE HOOD SYSTEM - INTERIOR BLOWERS



NOTE: The dual blower P8 must be installed with 3 1/4" x 14" duct. If it is impossible to connect the dual blower P8 to a 3 1/4" x 14" duct, use a 3 1/4" x 10" duct. In that case, the blower performance will be 25% decreased.

- NP64000 SERIES RANGE HOOD SYSTEM - IN-LINE AND EXTERIOR BLOWERS



HL0071

1. SELECT BLOWER OPTION AND INSTALL DUCTWORK

Either an interior or exterior blower or in-line blower may be used with this hood. The NuTone premier NP64000 Series must be installed with blower models P5, P8, HLB3, HLB6, HLB9, HLB11, 331H, 332H, 335 or 336 only. Other blowers cannot be substituted. (Blowers sold separately).

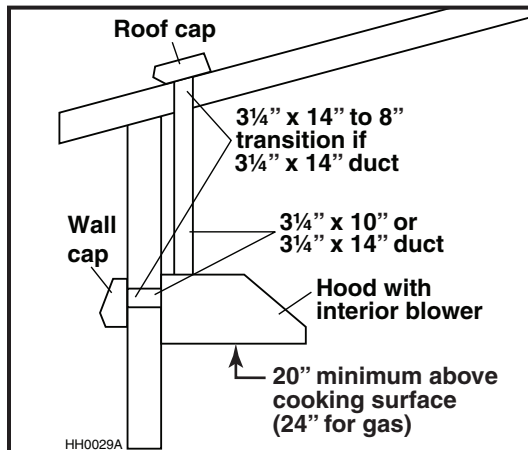
Plan where and how the ductwork will be installed.

If installing in-line blower, refer to instructions packed with in-line blower and follow steps 1 up to 3, 6, 9, 10, 12 and up of this manual.

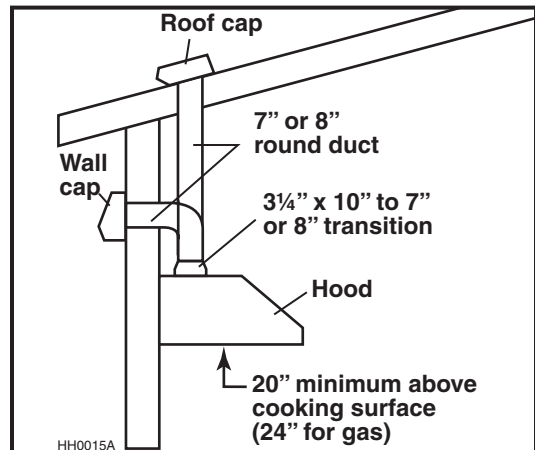
Install proper-sized ductwork, elbows and roof or wall cap for the type of blower you are installing. If using 7" or 8" round ducts, or 3/4" x 14" duct, use a transition. Use 2" duct tape to seal duct joints.

The minimum hood distance above cooktop must not be less than 20" for an electric range and 24" for a gas range. A maximum of 30" above cooktop is highly recommended for best capture of cooking impurities.

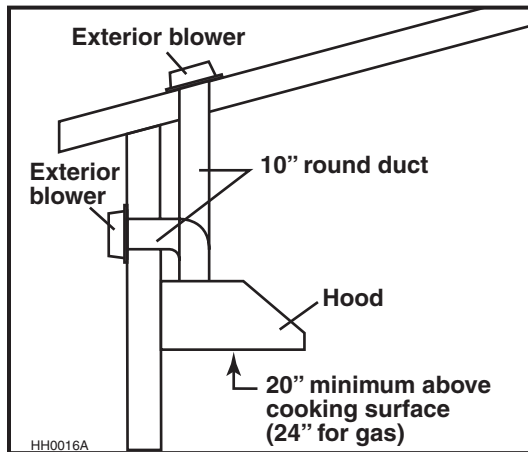
Distances over 30" are at the installer and users discretion.



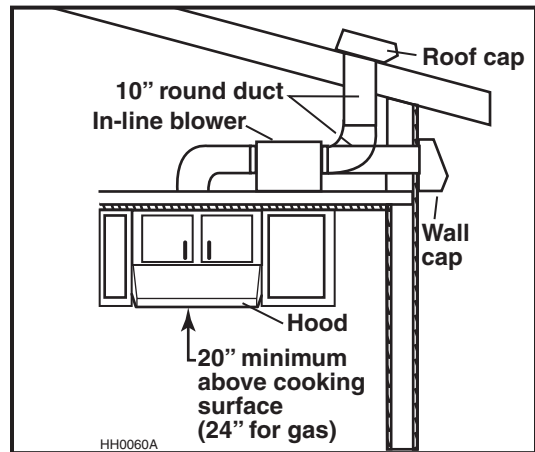
**MODEL P5 (SINGLE) OR P8 (DOUBLE) INTERIOR BLOWER
TYPICAL RECTANGULAR DUCTWORK**



**MODEL P5 (SINGLE) OR P8 (DOUBLE) INTERIOR BLOWER
7" OR 8" ROUND DUCTWORK**



**MODEL 331H, 332H, 335 OR 336
EXTERIOR BLOWER TYPICAL DUCTWORK**



**MODEL HLB3, HLB6, HLB9 OR HLB11
IN-LINE BLOWER TYPICAL DUCTWORK**

2. PREPARE THE INSTALLATION

Make sure that the following items are included:

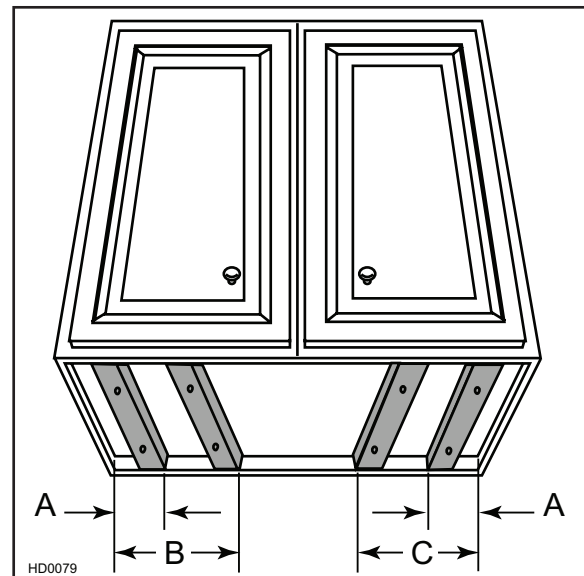
- Range hood
- Accessories:
 - Filters
 - Bag of parts including:
 - (4) lock nuts, (1) wire clamp, (8) 1/2" double thread screws, (2) wire connectors,
 - (2) 1/2" standard screws, (6) 3/8" screws.

Parts sold separately:

- Interior blower Model P5 includes blower, rough-in kit, flow deviator and 3 1/4" x 10" adapter
- Interior blower Model P8 includes blower, rough-in kit, flow deviator and 3 1/4" x 10" adapter and 3 1/4" x 14" adapter
- In-line blower assembly HLB3, HLB6, HLB9 or HLB11 (all include transition)
- In-line and exterior blower rough-in plate model 332KR, required for all In-line or Exterior Blowers
- Exterior blower assembly 331H, 332H, 335 or 336
- Halogen lights (120V, 50W, PAR 20)
- Heat lamps (120V, IR 175W, PAR 38)
- RMP Series Backsplash (optional)
- Baffle filters (optional)
- Transitions, duct, elbows, dampers, wall and roof caps. Refer to pages 3 and 4 for a complete list of venting options and model numbers.

NOTE: For cabinets with recessed bottom, attach wood filler strips (not included) on each sides, as shown below. Use two (2) 2-inch wide strips for 30" wide hoods, and four (4) 2-inch wide strips for wider hoods, cut to length. See below for wood filler strip locations.

HOOD WIDTHS	LOCATIONS		
	A	B	C
30"	2"	N/A	N/A
36"	2"	4 1/2"	4 1/2"
42"	2"	7 1/4"	8 1/4"
48"	4"	10 1/4"	11 1/4"



3. INSTALL BACKSPLASH (OPTIONAL)

Backsplash must be installed before the hood shell because the hood shell covers the backsplash top mounting screws. In order to be able to install the backsplash, make sure you have at least 18" clearance between bottom of hood and range control panel or cooktop. (See instructions packed with backsplash.)

4. SELECT BLOWER OPTION (EXTERIOR OR INTERIOR)

INTERIOR BLOWER: Follow all subsequent steps of this manual.

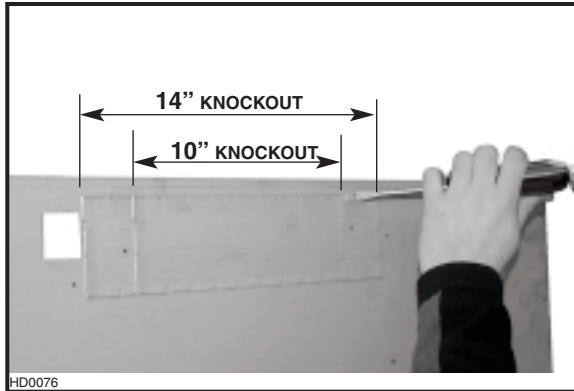
EXTERIOR BLOWER: Refer to instructions packed with exterior blower and follow steps 6, 10, 12 and up of the present manual.

5. CHOOSE THE OPENING (INTERIOR BLOWER)

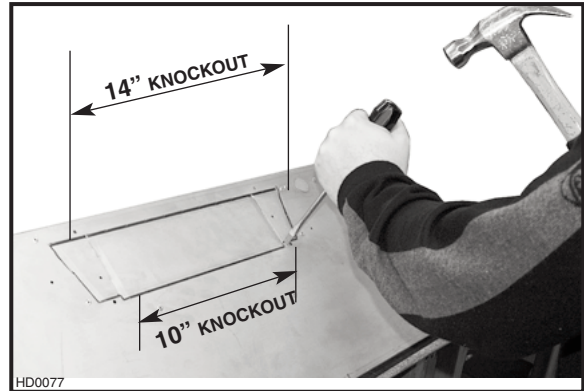
Remove the knockout for the chosen opening (horizontal at the back of the hood or vertical on rough-in plate). See pictures below.

CAUTION

When using P5 blower, remove the 10" wide knockout (smaller part). If using P8 blower, remove the knockout corresponding to the ducting installed (10" or 14").



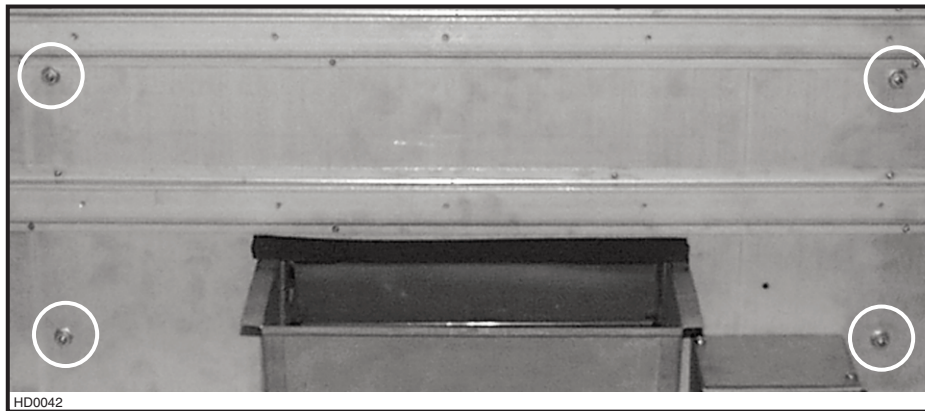
Removing horizontal knockout opening on back of hood



Removing vertical knockout opening on rough-in plate

6. INSTALL THE ROUGH-IN PLATE (ALL BLOWERS)

INTERIOR BLOWER: Secure the rough-in plate (provided with the P5 and P8 blower) inside the hood with four (4) lock nuts. See picture below.

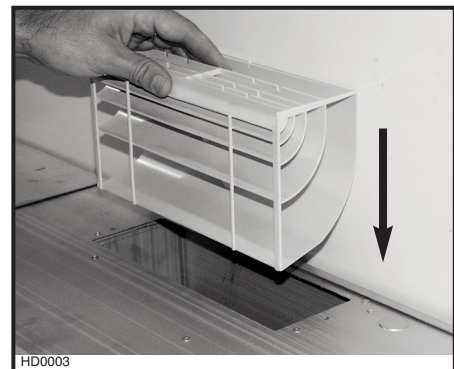


EXTERIOR OR IN-LINE BLOWER: Purchase Model 332KR separately. Refer to instructions included with the rough-in kit. Secure the rough-in plate inside the hood with (4) lock nuts.

7. INSTALL THE DEVIATOR (INTERIOR BLOWER)

YOU MUST install the deviator if you choose to vent the hood vertically. Install the deviator as shown.

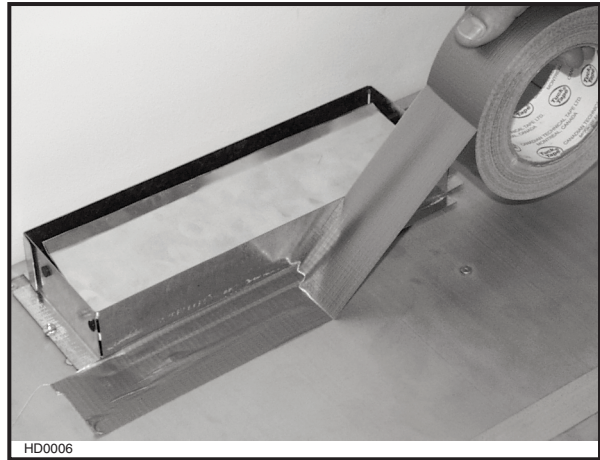
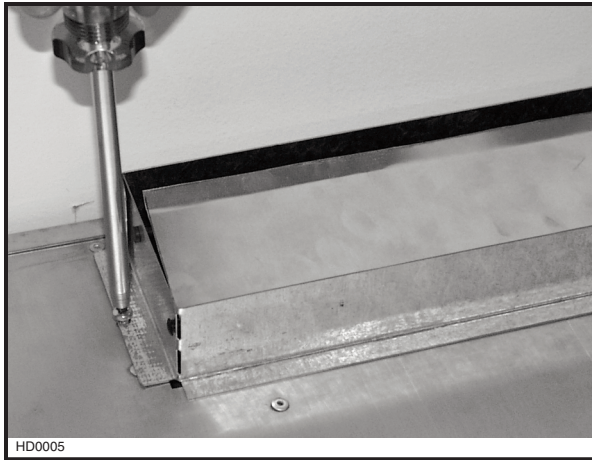
NOTE: If installed correctly, the deviator will protrude about $\frac{1}{8}$ " above the rough-in plate.



Inserting deviator into hood vertical opening

8. INSTALL THE ADAPTER (INTERIOR BLOWER)

Using two (2) standard $\frac{1}{2}$ " screws, secure the adapter to the top (or back) of the hood. Seal the adapter to the hood using duct tape.



9. INSTALL THE HOOD (ALL BLOWERS)

INTERIOR BLOWER: Run power cable to installation location. Place the hood to its location. Mark the position of the screws (smaller part of the key holes) with a pen. Remove the hood and install the (8) $\frac{1}{2}$ " double thread screws leaving a $\frac{1}{8}$ " gap (4 screws for 30" hood). Remove wiring cover, place the wire clamp, insert the cable in the hood and tighten the wire clamp to secure the cable. Place the hood under the cabinet and slide it in position. Make sure the adapter/damper assembly enters the ducting. Secure the hood by tightening the screws completely.



EXTERIOR OR IN-LINE BLOWER: Run power cable to installation location. Place the hood to its location. Mark the position of the screws (smaller part of the key holes) with a pen. Remove the hood and install the (8) $\frac{1}{2}$ " double thread screws leaving a $\frac{1}{8}$ " gap (4 screws for 30" hood). Remove wiring cover on top of the hood and connect wiring (see instructions included with exterior or in-line blower). Place the hood under the cabinet and slide it in position. Secure the hood by tightening the screws completely.

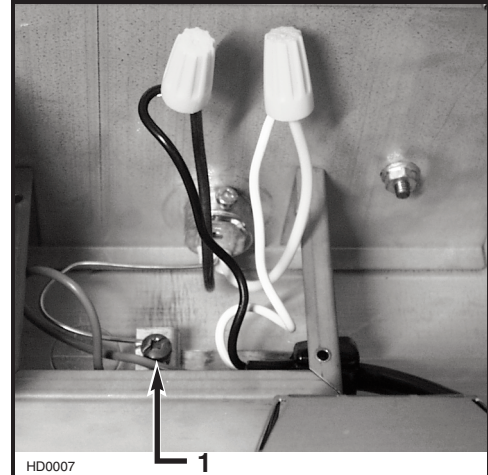
10. CONNECT WIRING (ALL BLOWERS)

WARNING

Risk of electrical shock. Electrical wiring must be done by qualified personnel in accordance with all applicable codes and standards. Before connecting wires, switch power off at service panel and lock service disconnecting means to prevent power to be switched on accidentally.

INTERIOR BLOWER: Connect cable into wiring box using wire connectors.

Connect wires as follow: BLACK to BLACK, WHITE to WHITE and GREEN or BARE wire under ground screw. Reinstall wiring cover. **DO NOT FORGET TO CONNECT THE GROUND.**

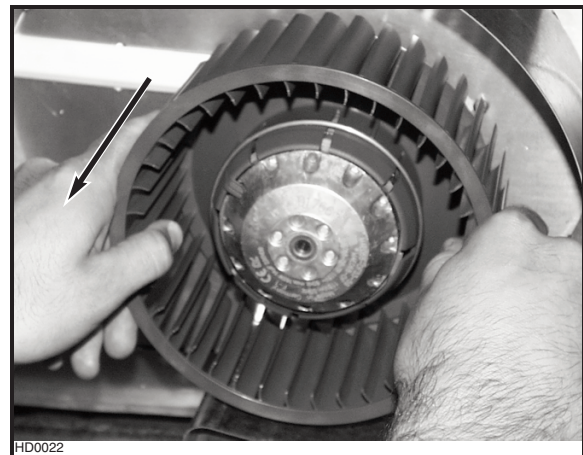


1) Ground screw

IN-LINE OR EXTERIOR BLOWER: Remove rough-in plate wiring cover and connect wiring (see instructions included with in-line or exterior blower).

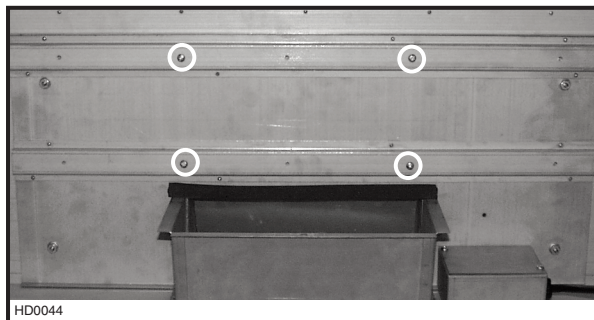
11. INSTALL THE BLOWER (INTERIOR BLOWER)

The blower must be installed to the rough-in plate using (4) $\frac{3}{8}$ " screws for the single blower unit and (6) $\frac{3}{8}$ " screws for the dual blower unit. Remove the cover from the blower assembly. Remove the impeller(s) by pulling them out gently (see pictures below).



11. INSTALL THE BLOWER (INTERIOR BLOWER) (CONT'D)

Install screws into the location as shown in the pictures below (single blower or dual blower). Do not tighten screws down fully, leave a 1/8" gap. Hang blower unit onto blower plate (screws through the large part of the keyhole). Slide the blower to its position (screws in the small part of the keyhole). Tighten the screws.



HD0044

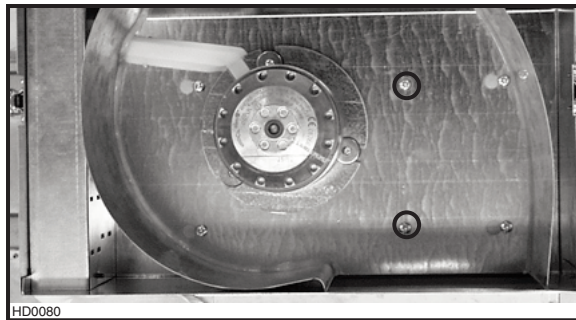
Single blower (P5)



HD0044

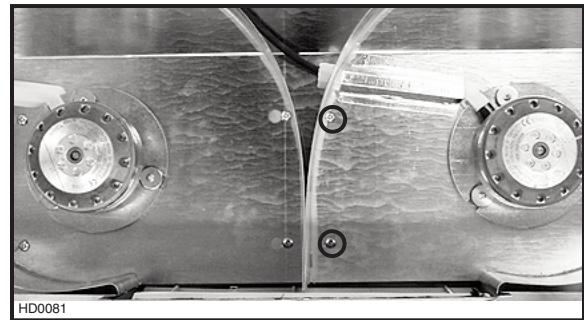
Dual blower (P8)

Secure the blower by installing 2 more screws into the locations shown in the pictures below (single blower or dual blower). Reinstall impeller(s) and cover.



HD0080

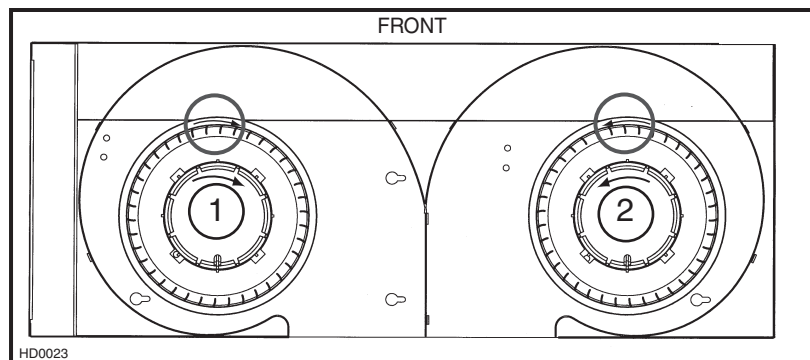
Single blower (P5)



HD0081

Dual blower (P8)

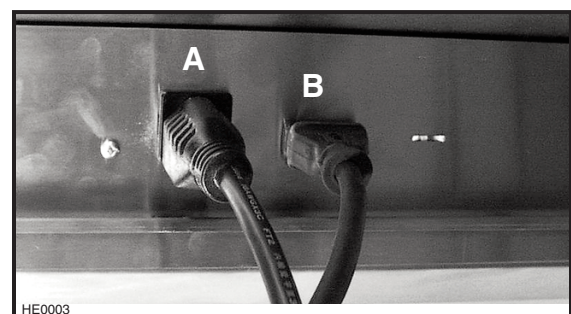
FOR DUAL BLOWER UNIT, MAKE SURE THE IMPELLERS ARE CORRECTLY INSTALLED, THE HOOD WILL NOT WORK PROPERLY IF REVERSED. Both impellers are different in the dual blower, one rotates clockwise and the other counterclockwise. Each wheel and motor have an arrow and a number on them, you have to match them correctly (see drawing beside).



WARNING

Never plug the 2-prong blower cord to the 3-prong power supply cord.

Plug the power supply to the 3-prong male connector (A) and the blower unit into the 2-prong female receptacle (B) inside the hood.



HE0003

12. LIGHT BULBS

This range hood uses 50W halogen lamps. (120V, 50W, PAR 20)

Install the lamps by rotating them clockwise into their socket holder.

13. HEAT LAMPS

The heat lamps required are 120V, 175W max, infrared bulbs. (120V, IR 175W, PAR 38)

White halogen lights can be used if warming shelves are not used. (120V, 90W, PAR 38)

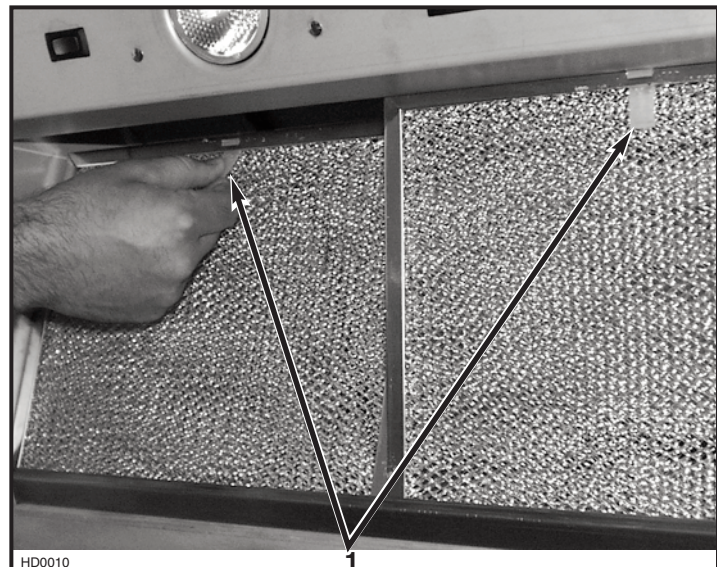
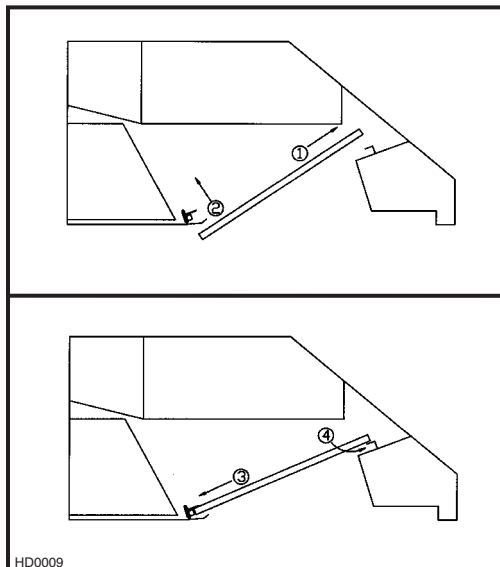
Install the lamps by rotating them clockwise into their socket holder.

14. INSTALL FILTERS

It is recommended to install side filters first and finish with center one(s).

1. Insert upper end of filter into the hood (tab end).
2. Raise lower end toward the inside of hood.
3. Position lower end of filter into channel and pull on filter tab.
4. While pulling the filter tab, slide the filter top under the inner retaining piece.

Baffle filters are available as an option (see instruction sheet included with baffle filters).



1) Tabs

15. USE AND CARE

Grease filters and impeller(s).

The grease filters, impeller(s) and grease rail should be cleaned frequently. Use a warm detergent solution.

Grease filters and impeller are dishwasher safe.

Remove filters by pushing filters towards the back of hood and rotating filters downward.

15. USE AND CARE (CONT'D)

Hood cleaning

Stainless steel cleaning: How to maintain its « BRIGHT LOOK »

Do:

- Regularly wash surfaces with clean cloth or rag soaked with warm water and mild soap or liquid dish detergent.
- Always clean in the direction of original polish lines.
- Always rinse well with clear water (2 or 3 times) after cleaning. Wipe dry completely.
- You may also use a specialized household stainless steel cleaner.

Don't:

- Do not use any steel or stainless steel wool or any other scrapers to remove stubborn dirt.
- Do not use any harsh or abrasive cleansers.
- Do not allow dirt to accumulate.
- Do not let plaster dust or any other construction residues reach the hood. During construction or renovation, cover the hood to make sure no dust sticks to stainless steel surface.

Avoid: when choosing a detergent

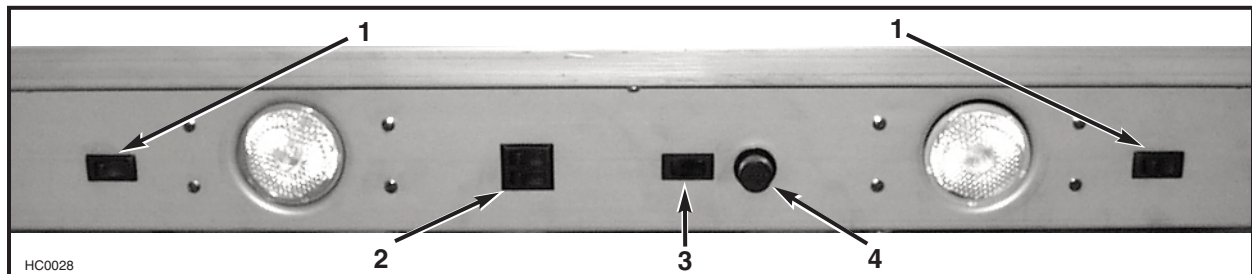
- Any cleaners that contain **bleach** will attack stainless steel.
- Any products containing : **chloride, fluoride, iodide, bromide** will deteriorate surfaces rapidly.
- Any **combustible products** used for cleaning such as **acetone, alcohol, ether, benzol**, etc., are highly explosive and should never be used close to a range.

Enamel finish:

Clean with warm water and mild detergent only. When discoloration occurs, use a good enamel polish such as automotive polish. (**DO NOT** use rough abrasive cleaner or porcelain cleaner.)

16. OPERATION

Always turn your hood on before you begin cooking to establish an air flow in the kitchen. Let the blower run for a few minutes to clear the air after you turn off the range. This will help keep the whole kitchen cleaner and brighter.



- 1) Warning lamp switches
- 2) Halogen light switches
- 3) ON/OFF blower switch
- 4) Blower speed control

BLOWER

The blower is operated using two (2) controls.

Use the red, lighted on/off switch to start and stop the blower. When turned on, the blower will operate at the previous setting of the speed control.

Turn the speed control knob clockwise to decrease blower speed – counterclockwise to increase speed.

COOKTOP LIGHTING (HALOGEN)

A double set of ON/OFF switches controls the halogen lights.

The front rocker controls the center light (for 42" and 48" hoods). The rear rocker controls both side lights (each switch controls one light for 30" and 36" hood). Select one, two or three lights for best cooking lighting.

Use PAR 20, 50W halogen bulbs.

16. OPERATION (CONT'D)

WARNING

Never place highly flammable material under warming lamps.

WARMING LAMPS (INFRARED)

Each warming lamp is controlled with its own ON/OFF switch.

Use infrared light bulbs (120V, IR175W, PAR38) or white halogen bulbs (120V, 90W, PAR38) if food warming shelves are not used.

HEAT SENTRY

This hood is equipped with a Heat Sentry thermostat. This thermostat is a device that will turn on or speed up the blower if it senses excessive heat above the cooking surface.

- 1) If blower is OFF - it turns blower ON to HIGH speed.
- 2) If blower is ON at a lower speed setting – it turns the blower up to HIGH speed.

WARNING

The HEAT SENTRY can start the blower even if the hood is turned OFF. In this case, it is impossible to turn the blower OFF with blower switch. If you must stop the blower, do it from the main electrical panel.

When the temperature level drops to normal, the blower will return to its original setting.

WARRANTY

NUTONE ONE-YEAR LIMITED WARRANTY

NuTone warrants to the original consumer purchaser of its products that such products will be free from defects in materials or workmanship for a period of one year from the date of original purchase. THERE ARE NO OTHER WARRANTIES, EXPRESS OR IMPLIED, INCLUDING, BUT NOT LIMITED TO, IMPLIED WARRANTIES OR MERCHANTABILITY OR FITNESS FOR A PARTICULAR PURPOSE.

During this one-year period, NuTone will, at its option, repair or replace, without charge, any product or part which is found to be defective under normal use and service.

This warranty does not cover (a) normal maintenance and service or (b) any products or parts which have been subject to misuse, negligence, accident, improper maintenance or repair (other than by NuTone), faulty installation or installation contrary to recommended installation instructions.

The duration of any implied warranty is limited to the one-year period as specified for the express warranty. Some states or provinces do not allow limitation on how long an implied warranty lasts, so the above limitation may not apply to you.

NUTONE'S OBLIGATION TO REPAIR OR REPLACE, AT NUTONE'S OPTION, SHALL BE THE PURCHASER'S SOLE AND EXCLUSIVE REMEDY UNDER THIS WARRANTY. NUTONE SHALL NOT BE LIABLE FOR INCIDENTAL, CONSEQUENTIAL OR SPECIAL DAMAGES ARISING OUT OF OR IN CONNECTION WITH PRODUCT USE OR PERFORMANCE. Some states or provinces do not allow the exclusion or limitation of incidental or consequential damages, so the above limitation or exclusion may not apply to you.

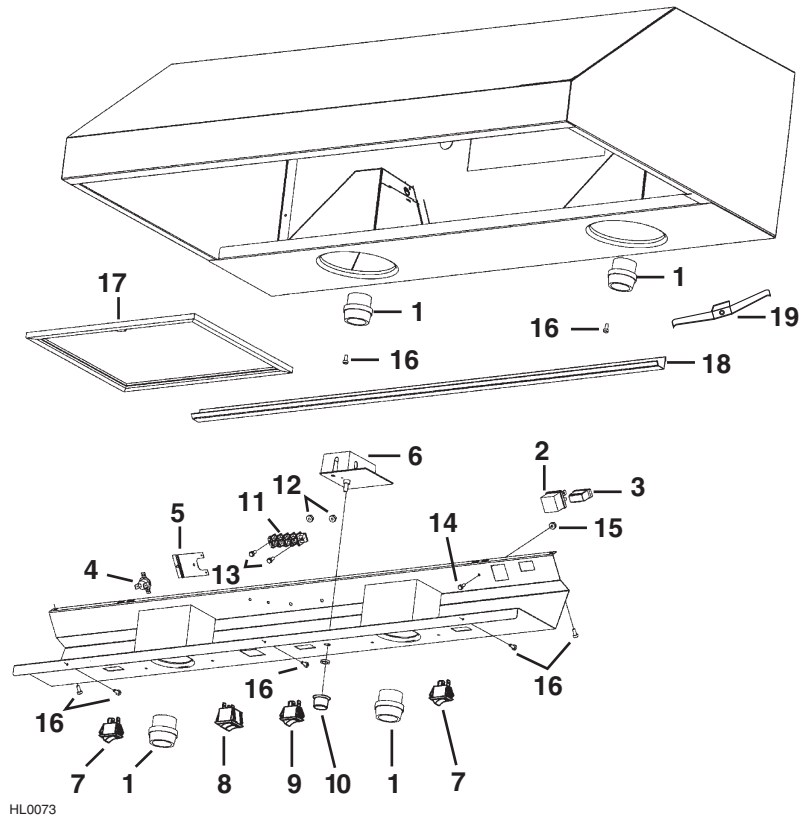
This warranty gives you specific legal rights, and you may also have other rights, which vary from state to state or province to another. This warranty supersedes all prior warranties.

To qualify for warranty service, you must (a) notify NuTone at the address or telephone number below, (b) give the model number and part identification and (c) describe the nature of any defect in the product or part. At the time of requesting warranty service, you must present evidence of the original purchase date.

NuTone Inc., 4820 Red Bank Road, Cincinnati, OH 45227 (1-800-543-8687)

SERVICE PARTS

NP64000 Series

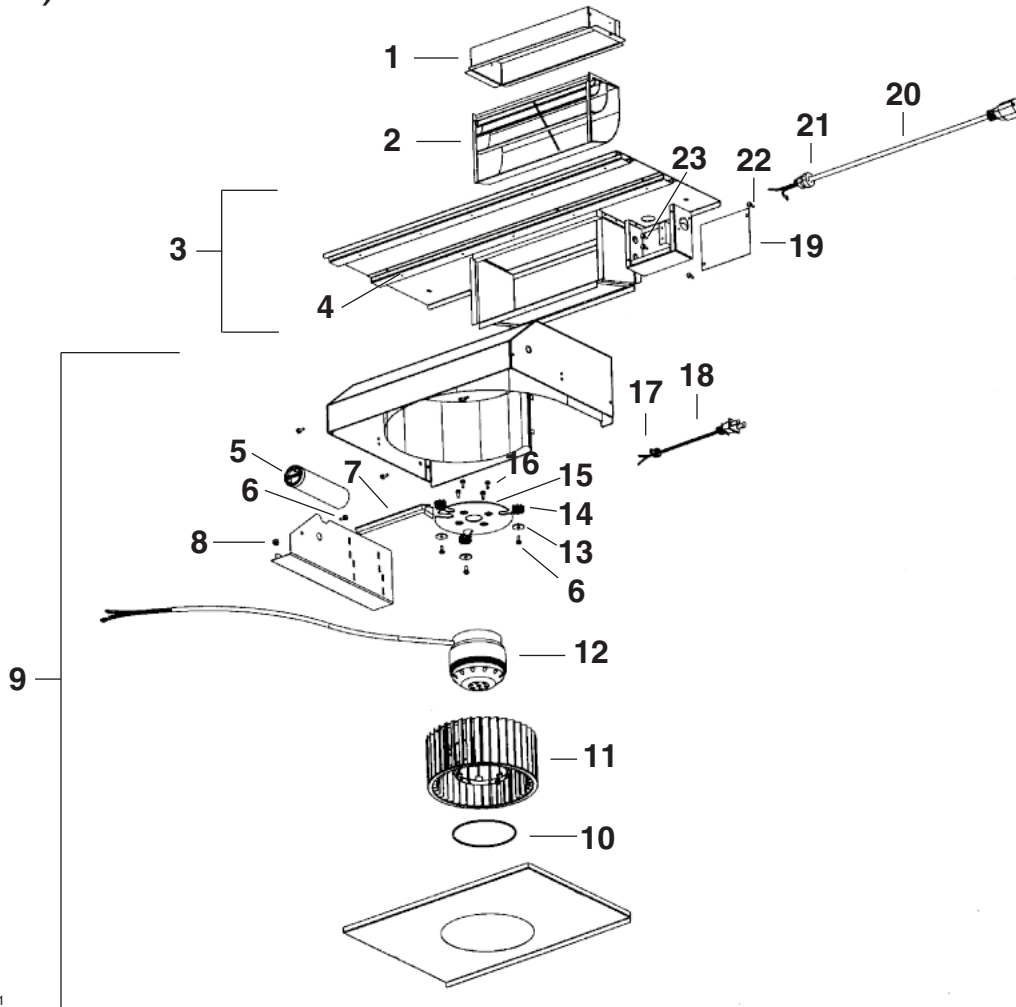


HL0073

KEY #	PART NUMBER	DESCRIPTION	QTY (hood width)			
			30"	36"	42"	48"
1	V02264	SOCKET LAMP	4	4	5	5
2	V02773	MALE CONNECTOR	1	1	1	1
3	V02772	FEMALE CONNECTOR	1	1	1	1
4	V03435	THERMOSTAT	1	1	1	1
5	V03436	THERMOSTAT BRACKET	1	1	1	1
6	V03501	SPEED CONTROLLER	1	1	1	1
7	V03507	SPST SINGLE SWITCH FOR WARMING LAMP	2	2	2	2
8	V03502	SPST DOUBLE SWITCH FOR HALOGEN LIGHT	1	1	1	1
9	V03503	SPST LIGHTED SINGLE SWITCH FOR BLOWER	1	1	1	1
10	V03504	SPEED CONTROL BUTTON	1	1	1	1
11	V03505	TERMINAL STRIP	1	1	1	1
	V03517	10" POWER CORDS	1	1	1	1
	V03518	10" CORDS FOR HEAT LAMP	2	2	2	2
	V03519	10" CONTROL WIRE	1	1	1	1
	V03520	10" LIGHTED SWITCH WIRE	1	1	1	1
12	V00673	LOCK NUT #8-32	2	2	2	2
13	V02512	SCREW #8-32 x 1/2" QUADREX	2	2	2	2
14	V01869	MACHINE SCREW #6-32 x 1/4"	1	1	1	1
15	V01582	LOCK NUT #6-32	1	1	1	1
16	V00606	SCREW #8-3/8"/T/B #8 HEAD	7	7	8	8
17	V03509	RANGEMASTER FILTER 8.930" x 9.800"	2	-	2	-
	V03510	RANGEMASTER FILTER 11.930" x 9.800"	1	3	2	4
18	V13216	GREASE RAIL 30"	1	-	-	-
	V13217	GREASE RAIL 36"	-	1	-	-
	V13218	GREASE RAIL 42"	-	-	1	-
	V13219	GREASE RAIL 48"	-	-	-	1
19	V03686	FILTER CLIP	3	3	4	4
	V02544	HALOGEN LAMP PAR 20 50 W	2	2	3	3
	V03598	HEAT LAMP	2	2	2	2
	V07451	INSTALLATION GUIDE	1	1	1	1
	V13278	PARTS BAG ((4) lock nut #10-32, (1) wire clamp LP16-AP, (2) wire connectors #74B, (8) double thread screw 6-12 x 0.5, (6) #8 x 3/8" screws, (2) #6 x 1/2" screws)	1	1	1	1

SERVICE PARTS

SINGLE BLOWER/ROUGH-IN (Model P5)



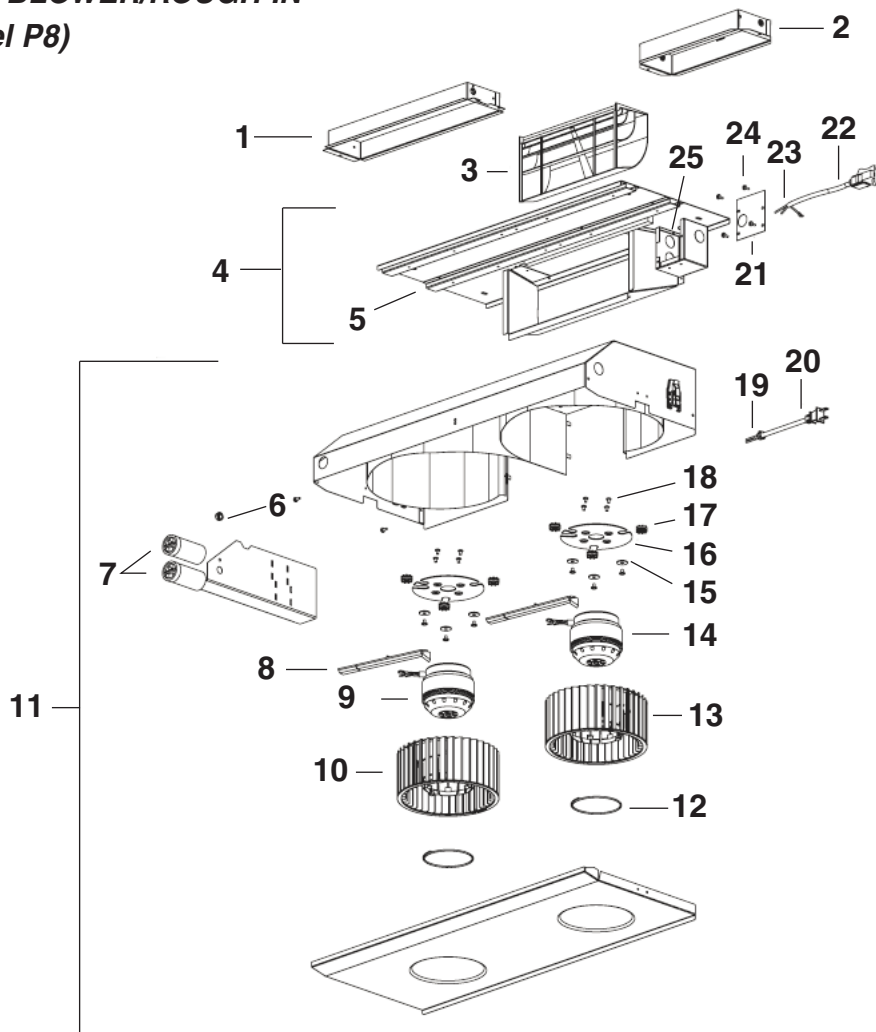
HL0021

KEY #	PART NUMBER	DESCRIPTION	QTY
1	V13296	ADAPTER AND DAMPER 3 1/4" x 10"	1
2	V03500	AIR DEFLECTOR	1
3	V12997	SINGLE BLOWER ROUGH-IN PLATE ASSEMBLY	1
4	V03577	FOAM 1/2" x 1/2" x 12"	1
5	V02160	CAPACITOR 15MFD	1
6	V01869	MACHINE SCREW #6-32 x 1/4"	4
7	V01857	WIRE COVER	1
8	V01582	LOCK NUT #6-32	1
9	V14973	SINGLE BLOWER ASSEMBLY	1
10	V01810	IMPELLER RING	1
11	V03400	BLOWER IMPELLER 7.094" x 3.375" CW	1
12	V01766	MOTOR 165W CW	1
13	V00871	WASHER 3/16" ID x 3/4" OD	3
14	V02001	MOTOR GROMMET G-431-1	3
	V01831	8" TIE WRAP	2
15	V11705	MOTOR MOUNT	1
	V11614	WIRE #18 TEW BROWN x 10"	1
16	V01927	METRIC SCREW M4 x 6MM PAN QDRX	4
17	V03495	STRAIN RELIEF FOR BLOWER POWER CORD	1
18	V03494	36" BLOWER POWER CORD	1
19	V13230	OUTLET BOX COVER	1
20	V03496	POWER CORD, 120 VOLTS	1
21	V00660	STRAIN RELIEF FOR POWER CORD	1
22	V05520	SCREW #8 x 3/8", T/B, #8 HEAD	2
23	V00613	SCREW #10-32 x 3/8", TF, GREEN	2

SERVICE PARTS

DUAL BLOWER/ROUGH-IN

(Model P8)



KEY #	PART NUMBER	DESCRIPTION	QTY
1	V14971	ADAPTER AND DAMPER 3 1/4" x 14"	1
2	V13296	ADAPTER AND DAMPER 3 1/4" x 10"	1
3	V03500	AIR DEFLECTOR	1
4	V14975	DUAL BLOWER ROUGH-IN PLATE ASSEMBLY	1
5	V03577	FOAM 1/2" x 1/2" x 12"	1
6	V01582	LOCK NUT #6-32	1
7	V02160	CAPACITOR 15MFD	2
8	V01857	WIRE COVER	2
9	V01766	MOTOR 165W CW	1
10	V03400	BLOWER IMPELLER, HOOD 7.094" x 3.375" CW	1
11	V14974	DUAL BLOWER ASSEMBLY	1
12	V01810	IMPELLER RING	2
13	V03399	BLOWER IMPELLER, HOOD 7.094" x 3.375" CCW	1
14	V03457	MOTOR 165W CCW	1
15	V00871	WASHER 3/16" ID x 3/4 OD	6
	V01831	8" TIE WRAP	4
16	V11705	MOTOR MOUNT	2
	V11614	WIRE #18 TEW BROWN x 10"	2
17	V02001	MOTOR GROMMET G-431-1	6
18	V01927	METRIC SCREW M4 x 6MM PAN QDRX	8
19	V03495	STRAIN RELIEF FOR BLOWER POWER CORD	1
20	V03494	36" BLOWER POWER CORD	1
21	V14960	OUTLET BOX COVER	1
22	V00660	STRAIN RELIEF FOR POWER CORD	1
23	V03496	POWER CORD, 120 VOLTS	1
24	V05520	SCREW #8 x 3/8", T/B, #8 HEAD	4
25	V00613	SCREW #10-32 x 3/8", TF, GREEN	2

Free Manuals Download Website

<http://myh66.com>

<http://usermanuals.us>

<http://www.somanuals.com>

<http://www.4manuals.cc>

<http://www.manual-lib.com>

<http://www.404manual.com>

<http://www.luxmanual.com>

<http://aubethermostatmanual.com>

Golf course search by state

<http://golfingnear.com>

Email search by domain

<http://emailbydomain.com>

Auto manuals search

<http://auto.somanuals.com>

TV manuals search

<http://tv.somanuals.com>