

DESCRIPTION

BLOWER:

- Plug-in, permanently lubricated motor - engineered for continuous operation
- Dynamically balanced centrifugal blower wheel for quiet, efficient performance
- Low RPM for quiet operation
- Resilient anti-vibration motor mounts

HOUSING:

- Rugged, 26 gauge, galvanized steel construction
- Polymeric, 4" duct connector with tapered sleeve and no metallic clatter
- 7-5/8" height allows for 2" x 8" (nominal) joist installations
- Sturdy, easy, four-point mounting directly to joist
- Includes unique spacer (patent pending) for mounting to engineered "I" joists
- Can be mounted in ceilings up to 7/12 pitch

GRILLE:

- Polymeric construction
- Innovative design - the result of extensive research with designers and consumers
- 100W incandescent lamp (bulb not included)
- 4W night light (bulb not included)
- Durable steel reflector with white enamel finish

CONTROLS (Purchase separately):

- Refer to NuTone's catalog for a complete line of accessories to effectively adapt these fans to your construction requirements.

U.L. Listed for use over bathtubs and showers when connected to a GFCI protected branch circuit (ceiling mount only).

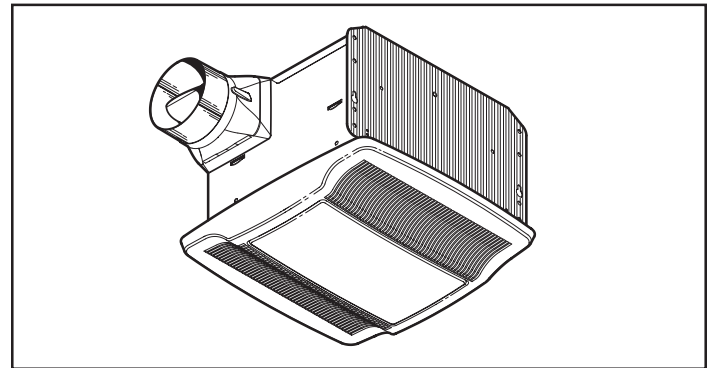
U.L. Listed for use in insulated ceilings (TYPE I.C.)

3-Year Warranty



QTRN Series Fan/Light/Night Lights

MODELS QTRN080L, QTRN110L



ARCHITECT'S SPECIFICATION

- Ceiling Ventilator shall be NuTone Model QTRN080L (QTRN110L).
- Ceiling Ventilator shall have corrosion resistant galvanized steel housing with four-point mounting capability. It shall be ducted to a roof or wall cap using 4" round ductwork.
- Blower assembly shall be removable, have a centrifugal-type blower wheel and a permanently lubricated motor designed for continuous operation and mounted with resilient anti-vibration mounts.
- Non-metallic damper/duct connector shall be included.
- Lamp shall be 100W incandescent with separate 4W night light.
- Air delivery shall be no less than 80 (110) CFM and sound level no greater than 1.0 (1.5) Sones. All air and sound ratings shall be certified by HVI.
- Ceiling Ventilator shall be U.L. Listed for use in insulated ceilings (Type I.C.) and for use over bathtubs and showers when connected to a GFCI protected branch circuit.

INSTALLATION

Complete installation instructions are included with each Fan / Light / Night Light.

NuTone, Inc., 4820 Red Bank Road, Cincinnati, OH 45227 (1-800-543-8687)

REFERENCE	QTY.	REMARKS	Project
			Location
			Architect
			Engineer
			Contractor
			Submitted by Date

60B

99043404C

PERFORMANCE RATINGS

QTRN SERIES FAN / LIGHT / NIGHT LIGHTS

HVI PERFORMANCE

Model	Sones @0.1" Ps	CFM @0.1" Ps
QTRN080L	1.0	80
QTRN110L	1.5	110



HVI-2100 CERTIFIED RATINGS comply with new testing technologies and procedures prescribed by the Home Ventilating Institute, for off-the-shelf products, as they are available to consumers. Product performance is rated at 0.1 in. static pressure, based on tests conducted in AMCA's state-of-the-art test laboratory. Sones are a measure of humanly-perceived loudness, based on laboratory measurements.

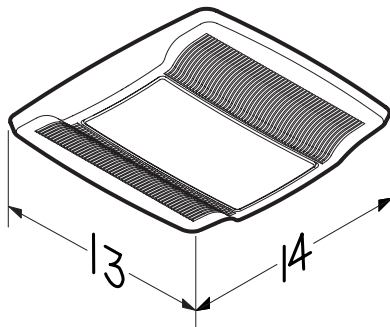
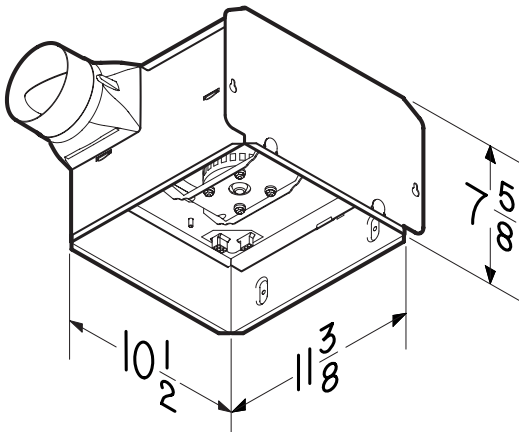
AMPS

Model	Amps*
QTRN080L	1.6
QTRN110L	1.8

* Total connected load

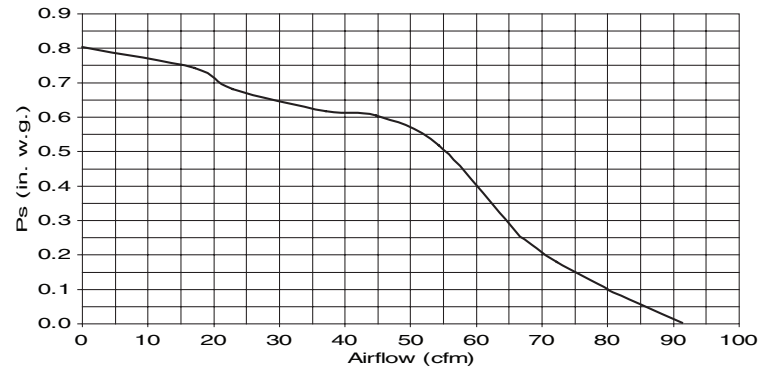
WEIGHT

Model	Shipping Weight
QTRN080L	13.8 lbs.
QTRN110L	13.8 lbs.

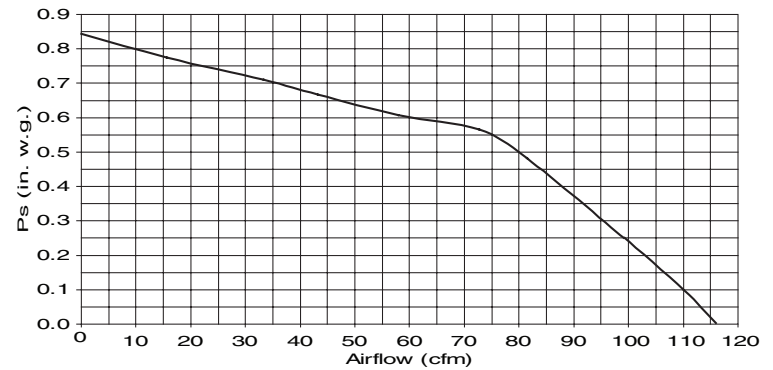


AIR FLOW PERFORMANCE

MODEL QTRN080L



MODEL QTRN110L



NuTone®

NuTone, Inc., 4820 Red Bank Road, Cincinnati, OH 45227 (1-800-543-8687)

Free Manuals Download Website

<http://myh66.com>

<http://usermanuals.us>

<http://www.somanuals.com>

<http://www.4manuals.cc>

<http://www.manual-lib.com>

<http://www.404manual.com>

<http://www.luxmanual.com>

<http://aubethermostatmanual.com>

Golf course search by state

<http://golfingnear.com>

Email search by domain

<http://emailbydomain.com>

Auto manuals search

<http://auto.somanuals.com>

TV manuals search

<http://tv.somanuals.com>