

## DESCRIPTION

### BLOWER:

- Plug-in, permanently lubricated motor - engineered for continuous operation
- Dynamically balanced centrifugal blower wheel for quiet, efficient performance
- Maintains a high percentage of rated CFM in less than ideal installations
- Low RPM for quiet operation
- Resilient anti-vibration motor mounts

### HOUSING:

- Rugged, 26 gauge, galvanized steel construction
- 6" round ducting for superior performance
- Polymeric duct connector with tapered sleeve and no metallic clatter
- 7-5/8" height allows for 2" x 8" (nominal) joist installations
- Sturdy, easy, four-point mounting directly to joist
- Includes unique spacer (patent pending) for mounting to engineered "I" joists
- Can be mounted in ceilings up to 12/12 pitch

### GRILLE:

- Polymeric construction
- Innovative design - the result of extensive research with designers and consumers
- 26W fluorescent lamp \* (bulb included) and 4W night light (bulb not included)
- Durable steel reflector with white enamel finish

### CONTROLS (Purchase separately):

- Refer to NuTone's catalog for a complete line of accessories to effectively adapt these fans to your construction requirements.

U.L. Listed for use over bathtubs and showers when connected to a GFCI protected branch circuit (ceiling mount only).

U.L. Listed for use in insulated ceilings (TYPE I.C.)

3-Year Warranty

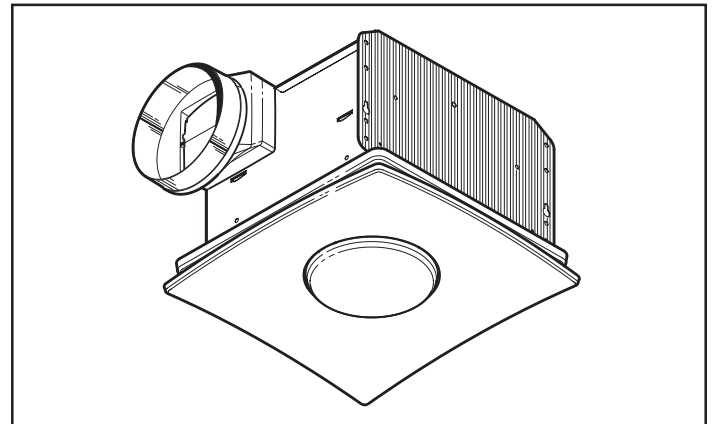


\* Use only one of the following 26W fluorescent lamps:

G.E. F26DBXT4/E/827  
G.E. F26DBXT4/SPX27  
PANASONIC FQ26E27/2  
PHILIPS PL-26W/827/ALTO  
OSRAM/SYLVANIA CF26DD/827  
NEMA Type CFQ26W/G24D/827  
NuTone 99271311

# QTXEN Series Fan/Light/Night Lights

MODELS QTXEN080FL,  
QTXEN110FL, QTXEN150FL



## ARCHITECT'S SPECIFICATION

- Ceiling Ventilator shall be NuTone Model QTXEN080FL (QTXEN110FL) (QTXEN150FL).
- Ceiling Ventilator shall have corrosion resistant galvanized steel housing with four-point mounting capability. It shall be ducted to a roof or wall cap using 6" round ductwork.
- Blower assembly shall be removable, have a centrifugal-type blower wheel and a permanently lubricated motor designed for continuous operation and mounted with resilient anti-vibration mounts.
- Non-metallic damper/duct connector shall be included.
- Lamp shall be 26W fluorescent \* with separate 4W night light.
- Air delivery shall be no less than 80 (110) (150) CFM and sound level no greater than 0.3 (0.9) (1.4) Sones. All air and sound ratings shall be certified by HVI.
- Ceiling ventilator shall be Energy Star® qualified and have an energy efficient permanent split capacitor motor.
- Ceiling Ventilator shall be U.L. Listed for use in insulated ceilings (Type I.C.) and for use over bathtubs and showers when connected to a GFCI protected branch circuit.

## INSTALLATION

Complete installation instructions are included with each Fan / Light / Night Light.

NuTone, Inc., 4820 Red Bank Road, Cincinnati, OH 45227 (1-800-543-8687)

REFERENCE	QTY.	REMARKS	Project
			Location
			Architect
			Engineer
			Contractor
			Submitted by <span style="float: right;">Date</span>

# PERFORMANCE RATINGS

## QTXEN SERIES FAN / LIGHT / NIGHT LIGHTS

### HVI PERFORMANCE

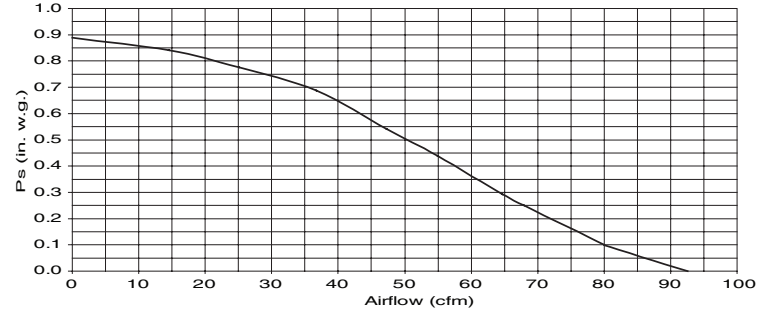
Model	Sones @0.1" Ps	CFM @0.1" Ps
QTXEN080FL	0.3	80
QTXEN110FL	0.9	110
QTXEN150FL	1.4	150



HVI-2100 CERTIFIED RATINGS comply with new testing technologies and procedures prescribed by the Home Ventilating Institute, for off-the-shelf products, as they are available to consumers. Product performance is rated at 0.1 in. static pressure, based on tests conducted in AMCA's state-of-the-art test laboratory. Sones are a measure of humanly-perceived loudness, based on laboratory measurements.

### AIR FLOW PERFORMANCE

MODEL QTXEN080FL



### AMPS

Model	Amps*
QTXEN080FL	1.0
QTXEN110FL	1.1
QTXEN150FL	1.0

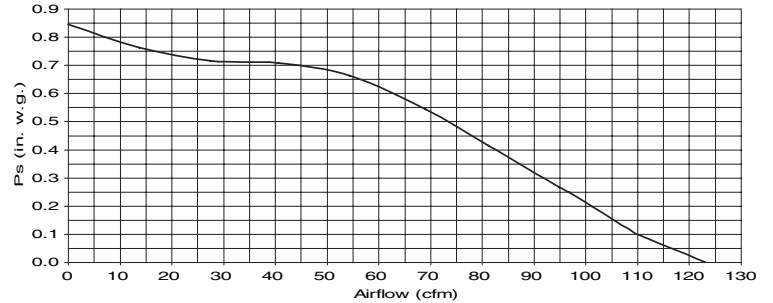
\* Total connected load

### WEIGHT

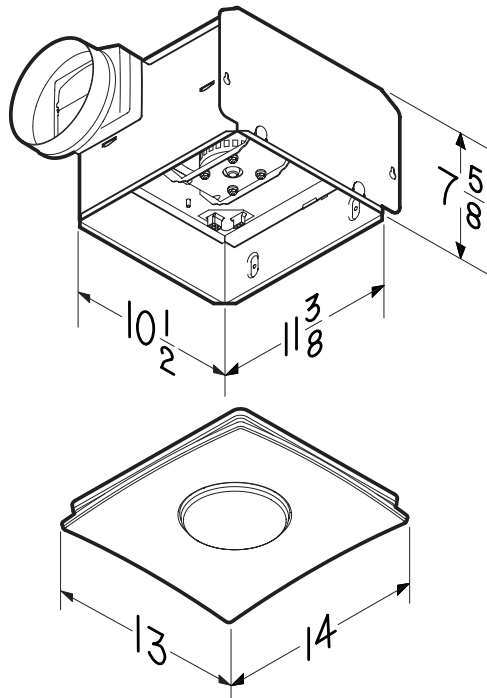
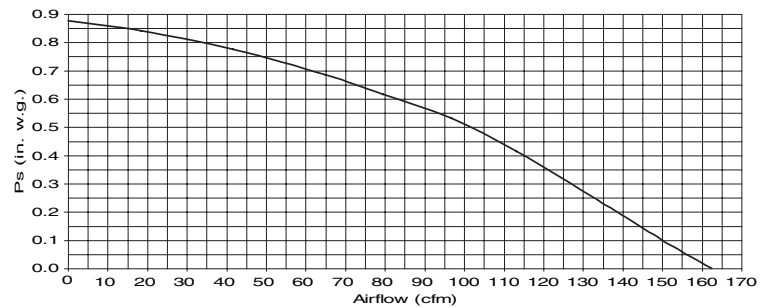
Model	Shipping Weight
QTXEN080FL	16.2 lbs.
QTXEN110FL	15.8 lbs.
QTXEN150FL	16.2 lbs.



MODEL QTXEN110FL



MODEL QTXEN150FL



# NuTone®

NuTone, Inc., 4820 Red Bank Road, Cincinnati, OH 45227 (1-800-543-8687)

## Free Manuals Download Website

<http://myh66.com>

<http://usermanuals.us>

<http://www.somanuals.com>

<http://www.4manuals.cc>

<http://www.manual-lib.com>

<http://www.404manual.com>

<http://www.luxmanual.com>

<http://aubethermostatmanual.com>

Golf course search by state

<http://golfingnear.com>

Email search by domain

<http://emailbydomain.com>

Auto manuals search

<http://auto.somanuals.com>

TV manuals search

<http://tv.somanuals.com>