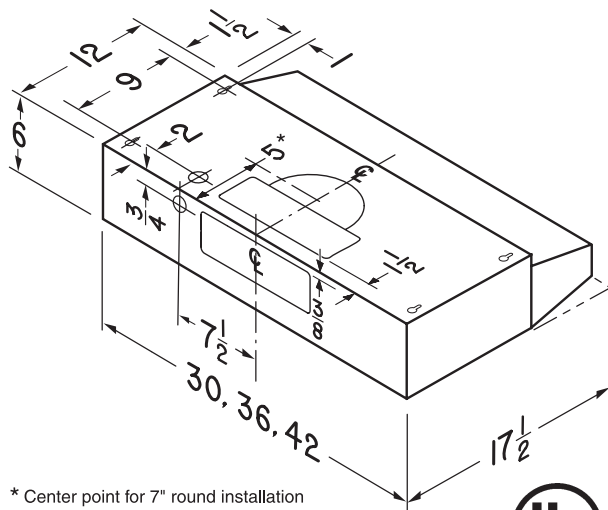


DESCRIPTION

- Infinite speed fan control
- Polymeric blade and light lens (accepts up to 75W bulb)
- Washable aluminum filter
- Converts to non-ducted by removing cover plate from control panel and installing the non-ducted filter (purchase separately)
- Mitered sides and hemmed bottom for safety and good looks
- Damper/duct connector included
- 7" round plate included
- Contemporary styling in White, Black, Almond and Stainless Steel (with black trim). Also available in White (with white trim) and Biscuit (with biscuit trim).
- Available in 30", 36" and 42" widths



* Center point for 7" round installation



SPECIFICATIONS

VOLTS	AMPS	CFM	SONES	DUCT
120	2.5	190	7.5	3¼" X 10" (H)
120	2.5	190	7.5	3¼" X 10" (V)
120	2.5	220	7.5	7" Round (V)
120	2.5	-	-	Non-Ducted



HVI-2100 CERTIFIED RATINGS comply with new testing technologies and procedures prescribed by the Home Ventilating Institute, for off-the-shelf products, as they are available to consumers. Product performance is rated at 0.1 in. static pressure, based on tests conducted in AMCA's state-of-the-art test laboratory. Sones are a measure of humanly-perceived loudness, based on laboratory measurements.

NuTone, Inc., 4820 Red Bank Road, Cincinnati, OH 45227 (1-800-543-8687)

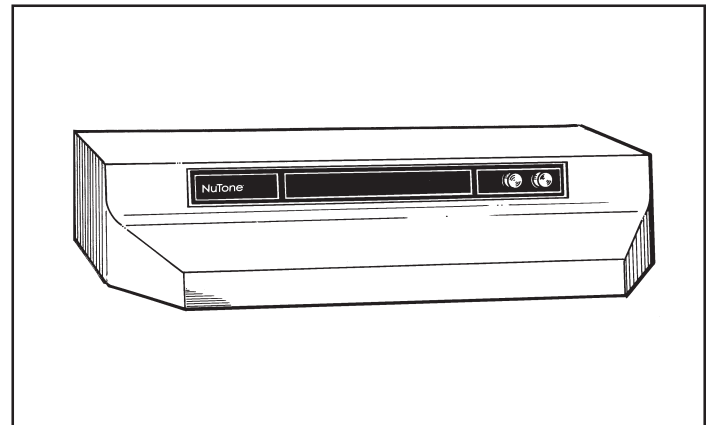
REFERENCE	QTY.	REMARKS	Project
			Location
			Architect
			Engineer
			Contractor
			Submitted by
			Date

50H

99043308B

4-Way Convertible Range Hood

SM6500 SERIES



INSTALLATION

Complete installation instructions are included with each Range Hood.

ARCHITECT'S SPECIFICATION

- Range hood shall be NuTone Model SM6500.
- Unit shall be convertible between ducted (using a washable aluminum filter) and non-ducted (using a non-ducted filter - purchase separately).
- Motor to be permanently lubricated. RPM not to exceed 3250.
- Unit shall have infinite speed fan control with separate light/night light switch.
- Sides shall be mitered and bottom edge hemmed - with no sharp edges.
- Air delivery shall be no less than 190 CFM (3¼ x 10 discharge) and 220 CFM (7" round discharge) and sound levels no greater than 7.5 Sones. All air and sound ratings shall be certified by HVI. Unit shall be U.L. listed.

Free Manuals Download Website

<http://myh66.com>

<http://usermanuals.us>

<http://www.somanuals.com>

<http://www.4manuals.cc>

<http://www.manual-lib.com>

<http://www.404manual.com>

<http://www.luxmanual.com>

<http://aubethermostatmanual.com>

Golf course search by state

<http://golfingnear.com>

Email search by domain

<http://emailbydomain.com>

Auto manuals search

<http://auto.somanuals.com>

TV manuals search

<http://tv.somanuals.com>