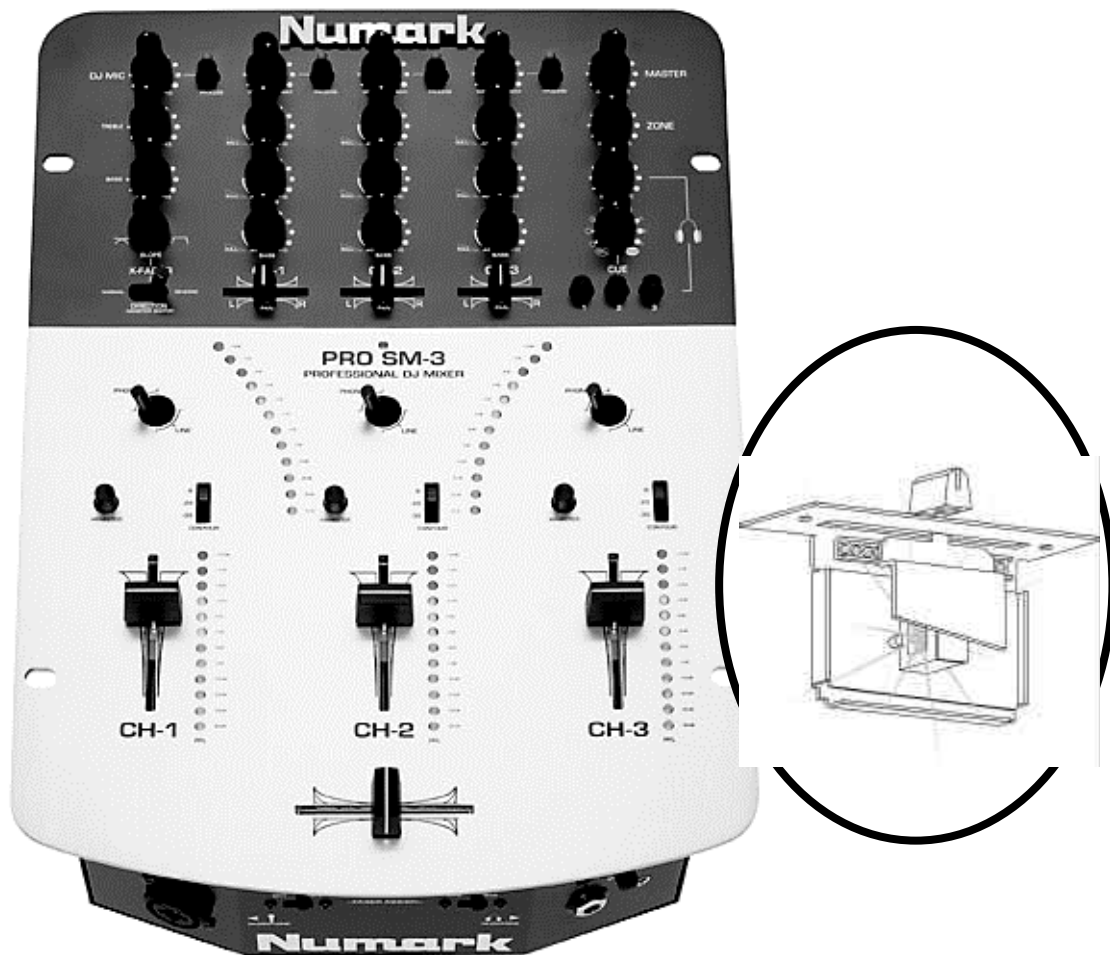


**Numark®**  
*Professional Disc Jockey Products*

# PRO SM-3


## PROFESSIONAL DJ MIXER

with Infinity Fader™




# Owner's Manual

## Safety Information



**CAUTION**  
RISK OF ELECTRIC SHOCK  
DO NOT OPEN



**CAUTION: TO REDUCE THE RISK OF ELECTRIC SHOCK DO NOT REMOVE ANY COVER. NO USER-SERVICEABLE PARTS INSIDE. REFER SERVICING TO QUALIFIED SERVICE PERSONNEL ONLY.**


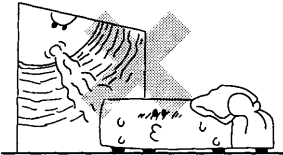
The lightning flash with arrowhead symbol within the equilateral triangle is intended to alert the user to the presence of un-insulated "dangerous voltage" within the product's enclosure that may be of sufficient magnitude to constitute a risk of electric shock.


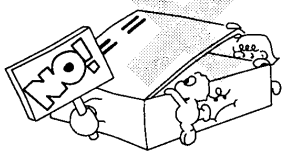
The exclamation point within the equilateral triangle is intended to alert the user to the presence of important operating and maintenance (servicing) instructions in the literature accompanying this appliance.

**CAUTION**

FOR USA & CANADIAN MODELS ONLY  
TO PREVENT ELECTRIC SHOCK DO NOT USE THIS (POLARIZED) PLUG WITH AN EXTENSION CORD, RECEPTACLE OR OTHER OUTLET UNLESS THE BLADES CAN BE FULLY INSERTED TO PREVENT BLADE EXPOSURE.


## SAFETY INSTRUCTIONS

- a) Read Instructions - All the safety and operating instructions should be read before this product is connected and used.
- b) Retain Instructions - The safety and operating instructions should be kept for future reference.
- c) Heed Warnings - All warnings on this product and in these operating instructions should be followed.
- d) Follow Instructions - All operating and other instructions should be followed.
- e) Water and Moisture - This product should be kept away from direct contact with liquids. 
- f) Heat - Avoid placing this product to close to any high heat sources such as radiators.
- g) Ventilation - The appliance should be situated so that its location or position does not interfere with its proper ventilation. For example, the appliance should not be situated on a bed, sofa, rug, or similar surface that may block the ventilation opening; or, placed in a built-installation, such as bookcase or cabinet that may impede the flow of air through the ventilation openings. 
- h) Power Sources - This product should be connected to a power supply only of the type described in these operating instructions, or as marked on the unit.

- i) Power Cord Protection - Power supply cords should be routed so that they are not likely to be walked upon or pinched by items placed on or against them. When removing the cord from a power outlet be sure to remove it by holding the plug attachment and not by pulling on the cord. 
- j) Object and Liquid Entry - Take care that objects do not fall into and that liquids are not spilled into the inside of the mixer.
- k) Cleaning - The appliance should be cleaned only as recommended by the manufacturer.
- l) Non-use Periods - The power cord of the appliance should be unplugged from the outlet when left unused for long periods of time.
- m) Damage Requiring Service - Only qualified personnel should service this product. If you have any questions about service please contact Numark at the number(s) shown on the back cover of this manual. 
- n) Grounding or Polarization - Precautions should be taken so that the grounding or polarization means built into the CD player is not defeated.
- o) Internal/External Voltage Selectors - Internal or external voltage selector switches, if any, should only be reset and re-equipped with a proper plug for alternative voltage by a qualified service technician. Do not attempt to alter this yourself.

**WARNING:** To reduce the risk of fire or electrical shock, do not expose this appliance to rain or moisture. Electrical equipment should NEVER be kept or stored in damp environments.

### SERVICE INSTRUCTIONS

- Disconnect power cord before servicing
- Replace critical components  only with factory parts or recommended equivalents
- For AC line powered units - Before returning repaired unit to user, use an ohmmeter to measure from both AC plug blades to all exposed metallic parts. The resistance should be no more than 100,000ohms.

***VERY IMPORTANT*****Please read this entire manual before connecting this unit to your system**

For optimum performance:

- The crossfader is a user replaceable item and subject to wear. Excessive force can wear out the fader quickly. This is not a warranted item.
- Never use spray cleaners on the slide controls. Residues cause excessive dirt build-up and this will void your warranty. In normal use slide controls can last for many years. If they malfunction (usually because of a dirty or dusty environment) consult a professional technician.
- Always make sure that AC power is OFF while making any connections.
- Use appropriate cables throughout your system. Do not use excessively long cables (i.e. over 50ft/14m) Be sure plugs and jacks are tightly mated. Loose connections can cause hum, noise or intermittents that could easily damage your speakers. Make the input and output connections with readily available low-capacitance stereo cables. Quality cable makes a big difference in audio fidelity and punch. See your Numark dealer or an electronics or audio specialist store if you are not sure which cables to get.
- Never attempt to make any adjustments or repairs other than those described in this manual. Take the unit to your dealer or to an authorized Numark Service Center.
- ALWAYS remember: "TURN AMPS ON LAST AND OFF FIRST". Begin with master faders or volume controls on minimum and the amplifier gain/input control(s) down. Wait 8 to 10 seconds before turning up the volume. This prevents transients which may cause severe speaker damage.
- Use restraint when operating controls. Try to move them slowly. Rapid adjustments could damage speakers due to amplifier clipping.
- Avoid amplifier "clipping" at all costs: this occurs when the red LEDs (usually on the front panel of most professional power amplifiers) start flashing. "Clipping" is when the power amplifier is distorting and working beyond it's limits. Amplifier distortion is THE major cause of speaker failure.
- To prevent fire or shock hazard, do not expose the unit to rain or moisture. Never place cans of beer, soda, glasses of water or anything wet on top of the unit!

**Product Registration**

Please record the serial number of your unit as shown on the back of the chassis as well as the name of the dealer from whom you purchased the unit. Retain this information and your original purchase receipt for your records. Please return the enclosed warranty card to register your unit with us.

MODEL: \_\_\_\_\_

PURCHASED FROM: \_\_\_\_\_

SERIAL NUMBER: \_\_\_\_\_

DATE OF PURCHASE: \_\_\_\_\_

**Numark - The Leader in DJ Technology**

# Numark<sup>®</sup> PRO SM-3

## PROFESSIONAL DJ MIXER

### CONGRATULATIONS!

You have purchased the **PRO SM-3** Stereo Mixer by **Numark**. The PRO SM-3 features the **Numark** patented design Infinity™ fader, that utilizes a beam of light and variable blocker mechanism. The fader itself has no audio or electrical parts attached to wear out. This revolutionary concept achieves the absolute fastest and smoothest cuts with the cleanest sound. The Infinity™ crossfader is user assignable and allows for complete slope variance along with hamster control.

The **Numark PRO SM-3** uses the highest quality components for the best possible sound quality. A fully controllable 3<sup>rd</sup> channel is included for an addition turntable or to bring in an external mixer or line device. Each channel contains 3-band Rotary KILLS, PFL meters, gain, panning, and process loops for maximum effect capability as well as slope and hamster control on the input faders. The PRO SM-3 also has a screwless face panel and smooth edges to ensure your fingers don't get caught up on rough edges.

*Thank you for purchasing NUMARK products!*

### FEATURES:

#### CROSSFADER

- Infinity™ Fader, the worlds first truly optical, fader
- Crossfader Reverse (Hamster) Toggle with off position
- Variable Slope Control
- Channel Assign selectors

#### INPUTS

- 6-line, 3-phono, 1-mic input
- Combination XLR-1/4" Neutrik™ Mic input with process loop, Bass, and Treble controls
- All Gold Plated Connectors
- Three Gold Plated Grounding Screws

#### CHANNEL CONTROLS

- Rotary Bass, Middle & Treble -40dB "KILL" and +10dB "Boost"
- PFL Gain and individual channel display meters
- High-Resolution Linear fader style Panning
- Active Channel Faders
- 3-Position Contour Adjustment
- Hamster switch
- Process insert looping with send only control
- Eight Position Rotatable Input Selector Toggles

#### MONITORING

- Two Bar 12-Segment Display graph for Stereo Master output
- Split/Blend Cue selection
- Push Button Cueing
- Gold Plated Headphone Jacks for Both 1/4" and 1/8" Headphone Plugs

#### OUTPUTS

- Master Balanced 1/4" TRS and Unbalanced RCA
- Monitor/Zone Level Control with Mono Switch
- Process Loop Output designed to send only, if no return present

#### QUALITY DETAIL

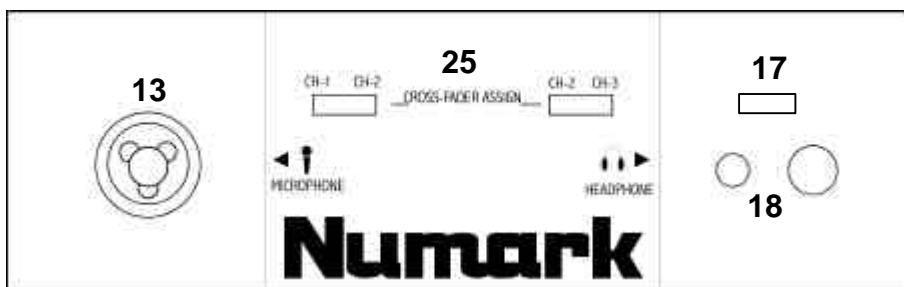
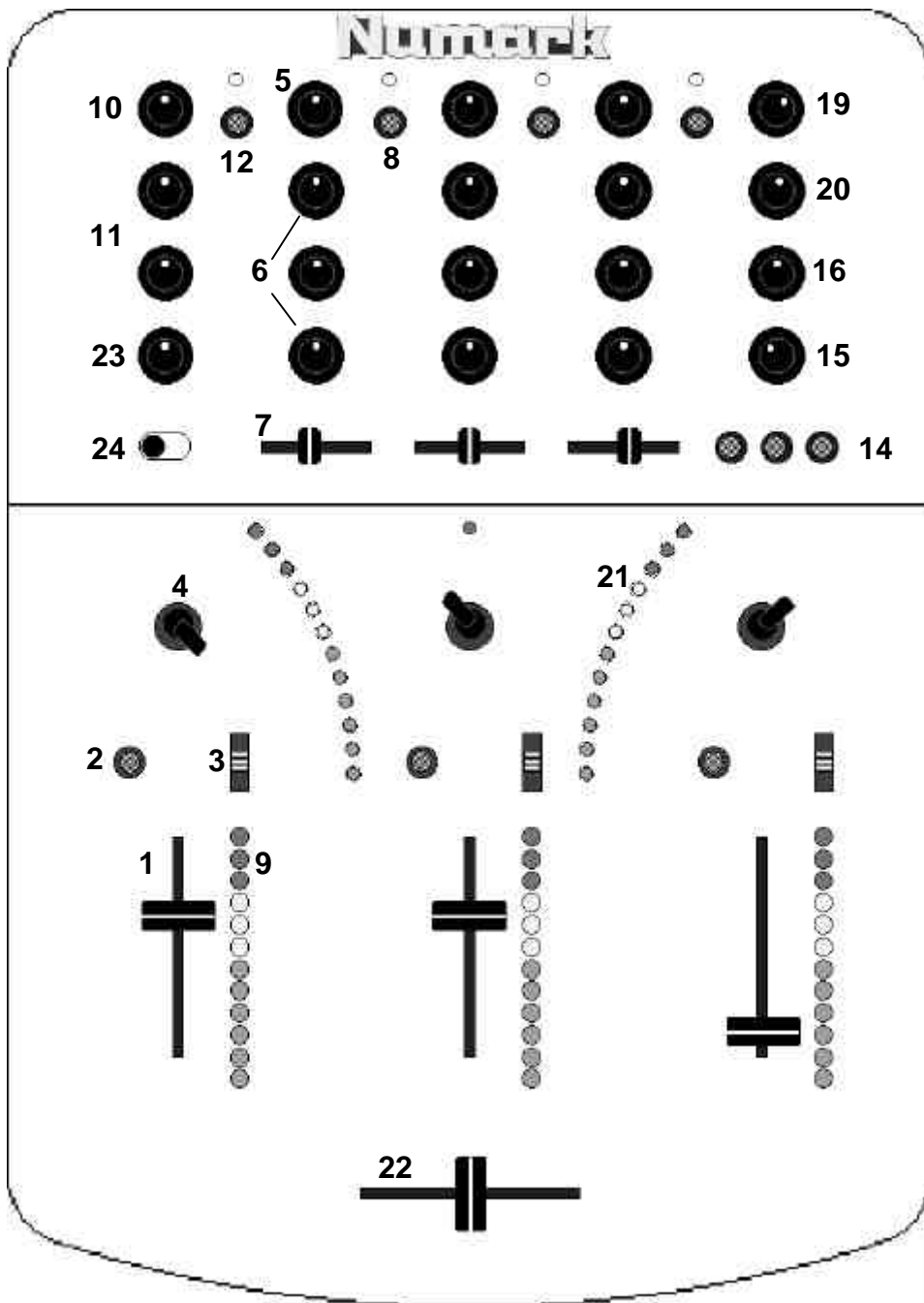
- Smooth Screwless Faceplate
- Hard Rubberized Knobs for Quick and Non-Slip Gripping
- Extra Wide Rubber Feet for Maximum Stability
- High Quality, Double Sided, Glass Epoxy Circuit Boards with Extra Thick Copper Ground Plates for Exceptionally Quiet Operation

**Numark- The Leader in DJ Technology**

---

**TABLE OF CONTENTS**

<b>Safety Measures</b>	2
<b>Important Information</b>	3
<b>Registration</b>	3
<b>Introduction</b>	4
<b>Description of the Features</b>	6
<b>Quick Setup Diagram</b>	9
<b>Infinity™ Fader</b>	10
<b>Specifications</b>	11
<b>Warranty</b>	12



## MIXER FEATURES

### INPUTS

1. **Input faders** - control individual source levels in the mix.
2. **Hamster Control** – reverses direction of the input fader.
3. **Slope Adjust** – sets the rate of volume increase as the Input Fader is moved.
4. **Input Toggle Switch (Transform)** - selects which source will be live to that channel based on what you have connected to the rear panel input section. By removing the face panel the switch can be rotated into any of eight positions.
5. **Pre-fader Gain Control** – adjusts the pre-fader volume for cleaner sound. Use this in conjunction with the PFL Meter to adjust the audio to an optimum level.
6. **Channel EQ** – adjusts the Treble, Middle, and Bass frequencies respectively of the channel audio. Full rotation to the left creates a “KILL” effect completely eliminating the sound from that frequency area.
7. **Panning** – controls the mix of stereo audio available from the channel. When moved to the left only the left speakers will be heard, or to the right for the right speakers.
8. **Process Loop** – activates the process loop for the channel assigned.  
**Note 1:** The circuit has been designed to act as a send for an external device such as a sampler if no return is plugged in.  
**Note 2:** All process loops go to the same output. By pressing process on two channels at the same time, the audio will bleed through.
9. **PFL Meter** - used to adjust the PFL levels, accurately match channel levels with the Pre-fader gain controls before mixing them together. The idea is to properly match PFL inputs, not the input with the stereo output meter!

### MICROPHONE

10. **Mic Gain Controls** – controls the **DJ Mic** volume for the Neutrik™ “Combo” connector on the front panel.
11. **Treble and Bass Controls** – for fine-tuning the tone of your voice on both mics through the sound system. The controls are detented for setting tone “flat”. For best results, use a dynamic cardioid microphone.
12. **Mic Process Loop** – activates the process loop for the microphone.
13. **Neutrik™ “Combo” connector** - allows connection of either a 1/4” jack or an XLR jack. This is ideal for connecting an XLR gooseneck directly into the mixer.

### HEADPHONE CUEING

14. **Channel Cue Assign** - are used to route Pre Fader Level (PFL) channel audio to the **Monitor Section**. The channel faders do not control the **Cue** volume.
15. **Headphone Mix** - controls the mix of PFL and PGM signals to your headphones. When the slider is moved to the left, all you will hear is the cue source. When the slider is all the way to the right, you will hear what is playing through the master output. By blending, beats can be matched exactly and segues can be smooth when a song is cued.

16. **Headphone Level** – adjusts cue volume.
17. **Split/Blend Cue** – controls how PFL and Program audio are sent to your headphones. In **split** mode, the PFL audio can be heard in your left ear and PGM audio can be heard in your right ear. In **blend** mode, both PFL and PGM can be heard in both ears.
18. **Headphone output** – for your 1/4” or 1/8” headphones.

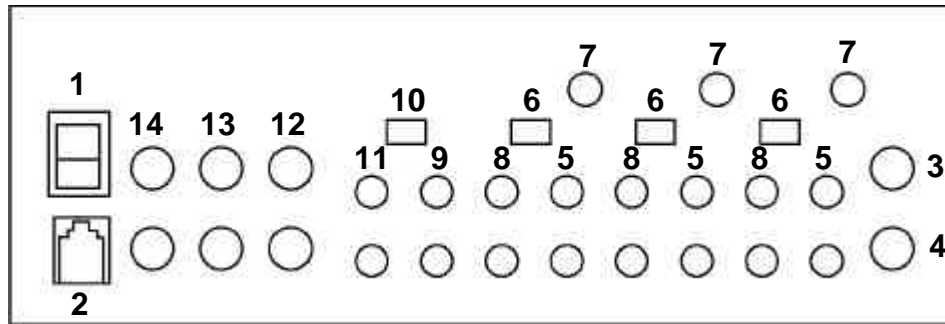
### OUTPUTS

19. **Master Fader** – controls the overall output level.
20. **Booth/Zone Fader** - controls speaker volume for a remote zone or booth monitors.  
*NOTE: This can also be used to supply line level audio to a lighting controller or to lights that are sound activated.*
21. **Stereo Auto Peak Hold Level Indicator**- quickly and accurately tracks level of audio output. The red LEDs for +3dB, +5dB and +8dB hold program peaks for a second or two. With peak metering, it's OK to be "in the red" as long as +5dB or +8dB aren't constantly lit. **When using as a master output meter**, set the crossover, equalizer and power amp inputs to avoid distortion at each step in the audio chain. Proper attention to the peak meter results in the punchiest possible sound without audible distortion.

### CROSSFADER

22. **Infinity™ Crossfader** - achieves clean segues between the two input channels selected by the Crossfader Assign. See page 10 for a more detail description of this exciting new design.
23. **Crossfader Slope** – determines how quickly the audio from the opposing side of the crossfader activates. A tight curve (hard right) turns on the opposing audio signal with very little crossfader movement. A loose curve (hard left) makes very long and smooth segues in transition.
24. **Hamster switch with Off position** – reverses the direction of the crossfader. In the center position the crossfader is deactivated.
25. **Crossfader Assign** – channels 1 or 2 can be assigned to the left. Channels 2 and 3 can be assigned to the right. If for example channels 1 and 3 were selected then "Hard left" selects Channel 1 and "Hard right" selects Channel 3. With the crossfader centered, both assigned channels are live. Use the crossfader for fast and seamless segues from one selected channel to the other.  
**Note:** If channel 2 is selected on both sides, the crossfader will turn off channel 2 in the left position and turn it on in the right position  
*Note: The crossfader is user replaceable in case of failure. Simply unscrew the two large screws that hold it in place, lift it out and disconnect its cable. Re-attach the new crossfader and screw the mounting plate back onto the unit - you're back in business!*

## REAR PANEL FEATURES

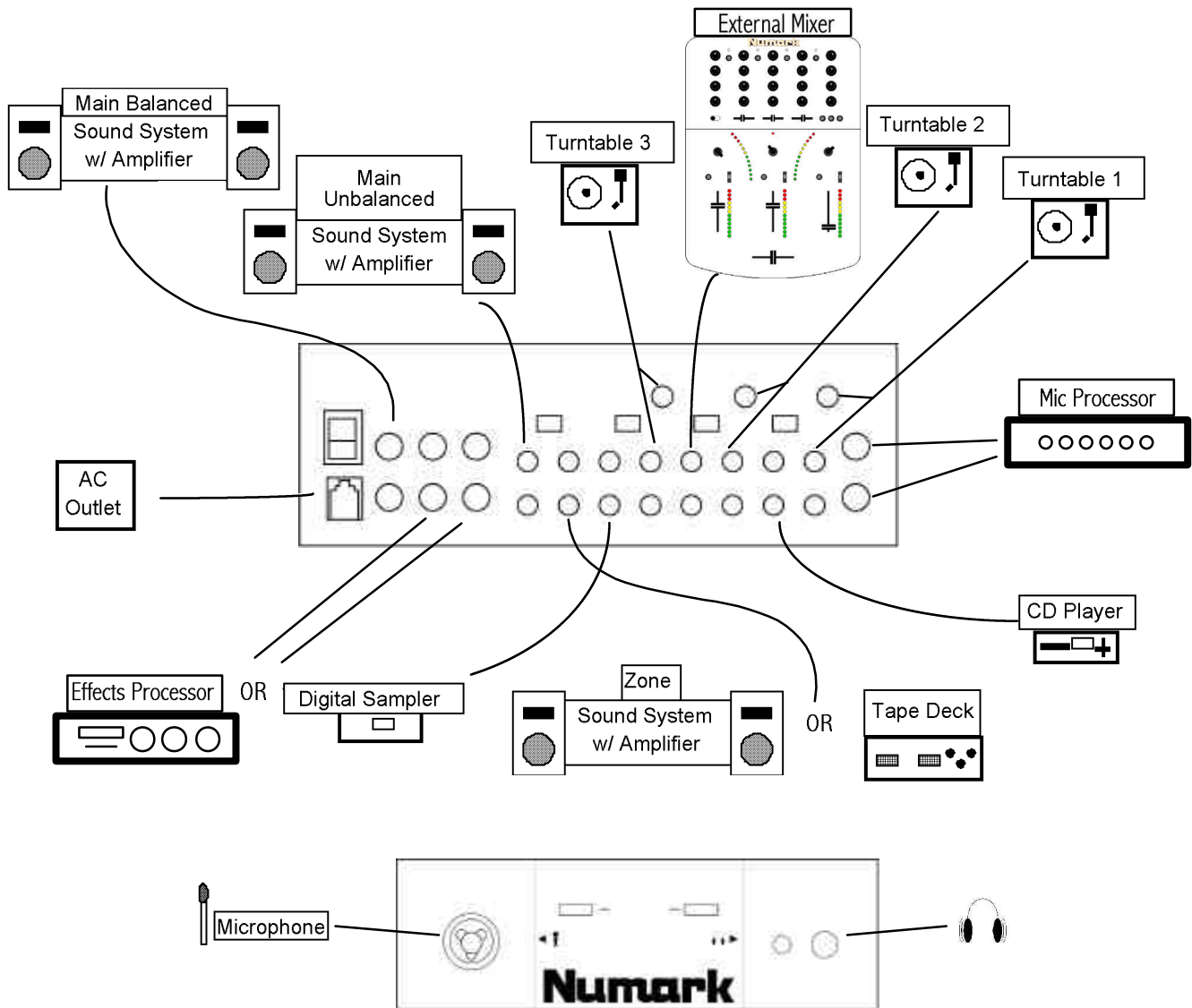


1. **Power Switch** – to turn unit on *after* you have turned on all input devices and *before* you turn on any devices attached to the output.
2. **Power Supply Input** - to plug your power adapter in before switching on power. See safety precautions on page 3 for proper treatment of power.
3. **Mic Process Send** – attach this output to any devices you would like to process the microphone with. This output is activated by the front panel mic process button.
4. **Mic Process Return** – bring your processed mic signal back in through this input.
5. **Phono/Auxiliary Inputs** – plug your turntables or line device in here. Select the AUX/PHONO switch (6) to the desired input.
6. **Phono/Auxiliary switch** – select the appropriate position for your input device. With phono selected the input signal is fed directly to the PRO SM-1's high-quality RIAA phono pre-amplifiers so use this input only for turntables. Line level sources will overload the sensitive phono pre-amps. Switch this over to the AUX position for line devices such as CD players and Tape decks.
7. **Ground lug** - use these connections with your turntables' grounding cable to avoid signal hum.
8. **Line Inputs** - to connect stereo audio from HiFi VCRs, cassette and reel-to-reel tape decks, DAT machines, CD players, laser discs, tuners, even synthesizers or other mixing consoles.  
NOTE: Plug mono audio sources into both Left and Right inputs using a "Y" cable connector.
9. **Zone Output** - an unbalanced output controlled by Zone Level control on the face panel for extra speakers, lighting, or recording your mix..
10. **Zone Stereo/Mono Switch** - allows the user to adjust the signal accordingly.
11. **Unbalanced Main Outputs** – program output controlled by the Master fader knob.
12. **Channel Send** – The output is determined by pushing the front panel process selectors next to each channel.  
*Note: this mixer was design to use one processor for many channels, If more than one channel is selected than the signal will bleed across the channels. This can be a desired effect if you wish to blend wet a dry signal. Sent signal is captured after the PFL gain and prior to EQ and Pan adjustments allowing the user total control of the processed signal.*  
This output has been designed to work for a variety of send options.
  - a. **Sampling** - the send should be plugged into your sampler and the signal returned through one of your inputs.
  - b. **Processing** – the send should be plugged into your external processor. Plug you processor return into the Channel Return (13).
13. **Channel Return** – Plug the outputs of your processor to this input. Set the output level of you processor to match the signal it receives from the send to ensure smooth activation. With proper level adjustment you can create smooth transitions between processed and unprocessed signal.  
*Note: If no device is plugged into the return and a signal is sent to the Channel Send then that signal will not be interrupted. By plugging into the return jack, the mixer will route returned signal to replace the sent signal. In this way a sampler can be used without interrupting live signal. You also could use this return as a 1/4" line input that can be selected to any channel when the process button is activated.*
14. **Balanced Outputs** - These 1/4" Stereo Main Outputs are reliable Balanced TRS 1/4" connectors controlled by the Master fader knob. Power transformers and other devices which cause magnetic fields can induce hum in audio cables. This can be best resolved by using balanced lines where inputs and outputs permit. Balanced lines are also the most effective means of reducing or eliminating RF or radio frequency" interference.



# QUICK SETUP DIAGRAM

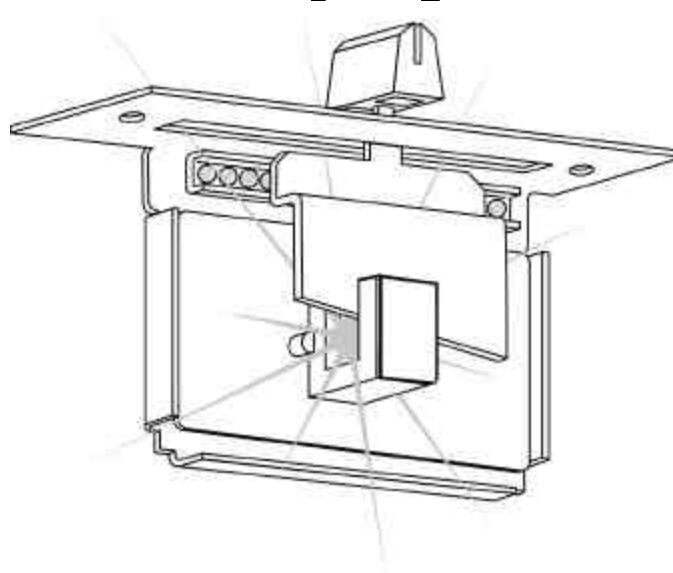
Study this setup diagram. Make sure all faders are at "zero" and all devices are off. First, connect all input sources and processors. Next, connect your microphone and monitor headphones. Finally, connect the stereo outputs to the power amplifier(s) and/or audio receivers such as tape decks. Plug your mixer into AC power. Now you are ready to switch everything on. **IMPORTANT:** Always switch on your audio input sources such as turntables or CD players first, then your mixer, and finally any amplifiers. When turning off, always reverse this operation by turning off amplifiers, then your mixer, and then input devices.



**Numark** - The Leader in DJ Technology

# Infinity™ Fader

## *The First truly Optical Fader*

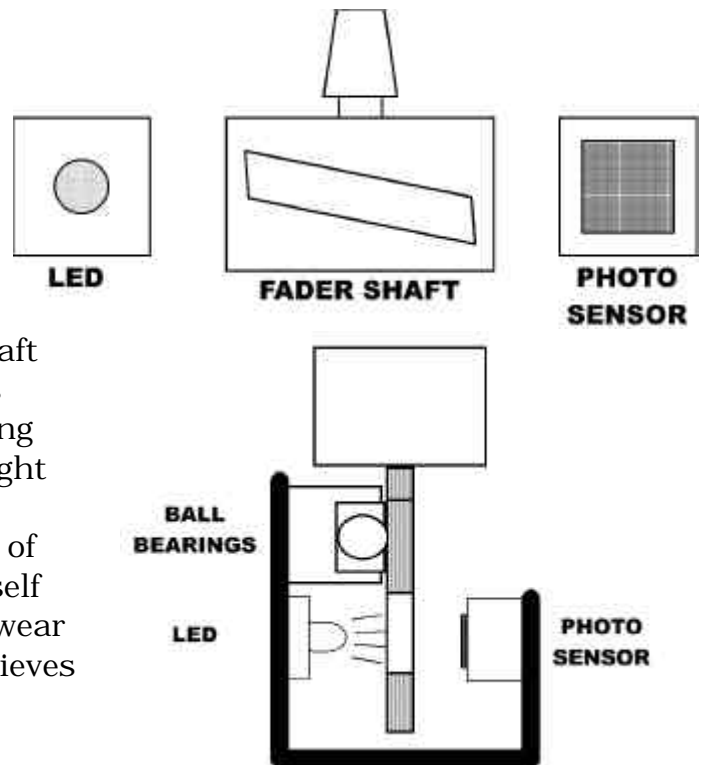


The Infinity Fader™ is a **Numark** Industries worldwide patented design and completely changes the way audio mixers work.

The Infinity™ Fader is the world's first truly 100% optical fader. Previous concepts have always required a stiff shaft to pull electrical contacts along a circuit board. Though these variable resistive faders have been used for many years there have always been some basic drawbacks with the design. Because the fader has to drag contacts along a circuit boards the fader has significant drag in it's motion. This design also breaks down over time and can require the fader be replaced on a regular basis if the fader is used for scratching.

The Infinity™ Fader solves both problems by removing the path of resistance by contact. It incorporates an LED, photo sensor, and a blocking fader shaft.

The LED transmits light to the photo sensor. Between these two parts is a blocking fader shaft that travels on a track of the smoothest steel ball bearings. This steel fader shaft changes the amount of light it blocks as it moves across the path of the LED. The more the blocking fader moves in front of the LED, the amount of light received by the photo sensor is reduced. This information is then translated into various levels of gain control within the mixer. The fader shaft itself has no audio or electrical parts attached to it to wear out. This revolutionary Friction Free concept achieves the cleanest sound with the absolute fastest and smoothest cuts.



**Numark - The Leader in DJ Technology**

**SPECIFICATIONS****INPUTS:**

Line: 10k input impedance  
 175mV rms sensitivity (for 1.22V output)  
 Mic: 10k input impedance unbalanced  
 3mV rms sensitivity (for 1.22V output)  
 85mV rms max input  
 Phono: 47k input impedance  
 1.4mV rms sensitivity @ 1 KHz (for 1.22V output)

**OUTPUTS:**

Line: 9V rms max  
 Headphone Amp: 0.5 watt into 47

Distortion: less than 0.01%

**SIGNAL TO NOISE RATIOS\*** (vs. maximum output):

Line: Better than 96 dB  
 Mic: Better than 78 dB  
 Phono: Better than 87 dB

\*JIS - weighted

**FREQUENCY RESPONSE:**

Line: 20 Hz- 22k Hz  $\pm 0.5$  dB  
 Line: 20 Hz- 20k Hz  $\pm 0.5$  dB  
 Phono:  $\pm 1$  dB except for controlled attenuation of -3 dB  
 @ 20 Hz to reduce rumble and feedback

**CHANNEL EQUALIZER, KILL:**

Bass: +10/-55dB @ 60Hz  
 Middle: +10/-55dB @ 1KHz  
 Treble: +10/-55dB @ 15KHz

Channel Curve: -6,-20,-30dB at 50% fader position

**POWER CONSUMPTION:**

21.6 Watt typical  
 28.8 Watt with full headphone output

**DIMENSIONS:**

480mm(W) x 175mm(H) x 95mm(D)  
 19" (W) x 7" (H) x 4 (D)

**WEIGHT:**

3.2 kgs, 8.7 lbs

**Numark** - *The Leader in DJ Technology*

# Numark®

## Professional Disc Jockey Products

### LIMITED PRODUCT WARRANTY

What is covered and for how long?

1. NUMARK INDUSTRIES LCC ("NUMARK") warrants to the original purchaser that NUMARK'S DJ mixers and amplifiers are free from defects in material and workmanship under normal use and service for the period commencing upon the date of purchase from an authorized NUMARK dealer and continuing for the following period of time after that date for (2) Years. The warranty is extended to (3) Years with the completion of the warranty card provided that the warranty card is completed and returned within (30) days from the date of purchase. All other NUMARK products are warranted for (1) Year including but not limited to CD players, CD Mix Stations, turntables, preamplifiers, beatkeepers, equalizers, microphones, headphones, and all other accessories.

What is not covered? This Limited Warranty is conditioned upon proper use of the product by the purchaser.

2. This Limited Warranty does not cover: (a) defects or damage resulting from accident, misuse, abuse, neglect, unusual physical or electrical stress, modification of any part of the product, or cosmetic damage; (b) equipment that has the serial number removed or made illegible; (c) all plastic surfaces and other externally exposed parts that are scratched or damaged due to normal use; (d) defects or damage from improper testing, operation, maintenance, installation, adjustment, or service of the mixers; (e) crossfaders.
3. What are NUMARK'S obligations? During the applicable warranty period, NUMARK will repair or replace, at NUMARK'S sole discretion, without charge to the purchaser, any defective component part of the mixer. To obtain service under this Limited Warranty, purchaser must first contact NUMARK and obtain a return authorization number ("RA#"). Purchaser must then return the mixer to NUMARK in an adequate container for shipping, accompanied by purchaser's sales receipt or comparable proof of sale showing the date of purchase, the serial number of the product, and the seller's name and address. To obtain an RA# and assistance on where to return the mixer, contact NUMARK customer service at 401-295 9000. Upon receipt, NUMARK will repair or replace the defective products. NUMARK may, at NUMARK'S sole discretion, use rebuilt, reconditioned, or new parts or components when repairing any product or replace a product with a rebuilt, reconditioned or new product. Repaired mixers will be warranted for a period equal to the remainder of the original Limited Warranty on the original mixer or for (90) days, whichever is longer. All replaced parts, components, boards and equipment become the property of NUMARK. If NUMARK determines that any mixer is not covered by this Limited Warranty, purchaser must pay all parts, shipping, and labor charges for the repair or return of such mixer.
4. What are the limits on NUMARK'S liabilities? THE WARRANTIES GIVEN IN THIS LIMITED WARRANTY, TOGETHER WITH ANY IMPLIED WARRANTIES COVERING NUMARK MIXERS, INCLUDING WITHOUT LIMITATION ANY WARRANTIES OF MERCHANTABILITY OR FITNESS FOR A PARTICULAR PURPOSE, ARE LIMITED TO THE DURATION OF THIS LIMITED WARRANTY. EXCEPT TO THE EXTENT PROHIBITED BY APPLICABLE LAW, NUMARK SHALL NOT BE LIABLE FOR ANY SPECIAL, INCIDENTAL, CONSEQUENTIAL, INDIRECT OR SIMILAR DAMAGES, LOSS OF PROFITS, DAMAGES TO PURCHASER'S PROPERTY, OR INJURY TO PURCHASER OR OTHERS ARISING OUT OF THE USE, MISUSE OR INABILITY TO USE ANY NUMARK MIXER, BREACH OF WARRANTY, OR NEGLIGENCE, INCLUDING BUT NOT LIMITED TO NUMARK'S OWN NEGLIGENCE, EVEN IF NUMARK OR ITS AGENT HAS BEEN ADVISED OF SUCH DAMAGES, OR FOR ANY CLAIM BROUGHT AGAINST PURCHASER BY ANY OTHER PARTY. THIS LIMITED WARRANTY IS THE COMPLETE WARRANTY FOR NUMARK'S MIXERS, AND IS GIVEN IN LIEU OF ALL OTHER EXPRESS WARRANTIES. THIS LIMITED WARRANTY SHALL NOT EXTEND TO ANYONE OTHER THAN THE ORIGINAL PURCHASER OF THIS PRODUCT AND STATES PURCHASER'S EXCLUSIVE REMEDY. IF ANY PORTION OF THIS LIMITED WARRANTY IS ILLEGAL OR UNENFORCEABLE BY REASON OF ANY LAW, SUCH PARTIAL ILLEGALITY OR UNENFORCEABILITY SHALL NOT AFFECT THE ENFORCEABILITY OF THE REMAINDER OF THIS LIMITED WARRANTY WHICH PURCHASER ACKNOWLEDGES IS AND WILL ALWAYS BE CONSTRUED TO BE LIMITED BY ITS TERMS OR AS LIMITED AS THE LAW PERMITS.
5. This Limited Warranty allocates risk of product failure between purchaser and NUMARK, and NUMARK'S product pricing reflects this allocation of risk and the limitations of liability contained in this Limited Warranty. The agents, employees, distributors, and dealers of NUMARK are not authorized to make modifications to this Limited Warranty, or make additional warranties binding on NUMARK. Accordingly, additional statements such as dealer advertising or presentation, whether oral or written, do not constitute warranties by NUMARK and should not be relied upon.
6. How does state law apply to this warranty? SOME STATES DO NOT ALLOW THE EXCLUSION OR LIMITATIONS OF INCIDENTAL OR CONSEQUENTIAL DAMAGES OR HOW LONG AN IMPLIED WARRANTY LASTS, SO THE ABOVE LIMITATIONS OR EXCLUSIONS MAY NOT APPLY TO PURCHASER.
7. This Limited Warranty gives you specific legal rights. You may also have other rights, which vary from one jurisdiction to another.

### RETURN INFORMATION

- a) A Return Authorization number must be obtained from Numark through the address or phone numbers below.
- b) A copy of the original sales receipt must also be included for the equipment to be repaired under warranty.
- c) The faulty equipment must be packed in its original packaging.
- d) One additional outer layer of packaging must be included to ensure product safety. Failure to do so may inadequately protect the equipment in transit and, therefore, jeopardize the customer's warranty.
- e) Numark will not accept COD shipments and no call tags will be issued for merchandise return.
- f) Numark will not return repaired merchandise to customers by priority service, unless by written request at the customer's cost. Requests must be submitted in writing with merchandise returned.
- g) The defective Numark equipment should be sent, FREIGHT PREPAID with Return Authorization number clearly printed on the outer packaging and original sales receipt enclosed to:

**Numark** INDUSTRIES  
Attention: Service Department  
11 Helmsman Avenue  
North Kingstown, RI 02852 USA

Phone: +1 (401) 295-9000  
Fax: +1 (401) 295-5200  
Web: [www.numark.com](http://www.numark.com)

## Free Manuals Download Website

<http://myh66.com>

<http://usermanuals.us>

<http://www.somanuals.com>

<http://www.4manuals.cc>

<http://www.manual-lib.com>

<http://www.404manual.com>

<http://www.luxmanual.com>

<http://aubethermostatmanual.com>

Golf course search by state

<http://golfingnear.com>

Email search by domain

<http://emailbydomain.com>

Auto manuals search

<http://auto.somanuals.com>

TV manuals search

<http://tv.somanuals.com>