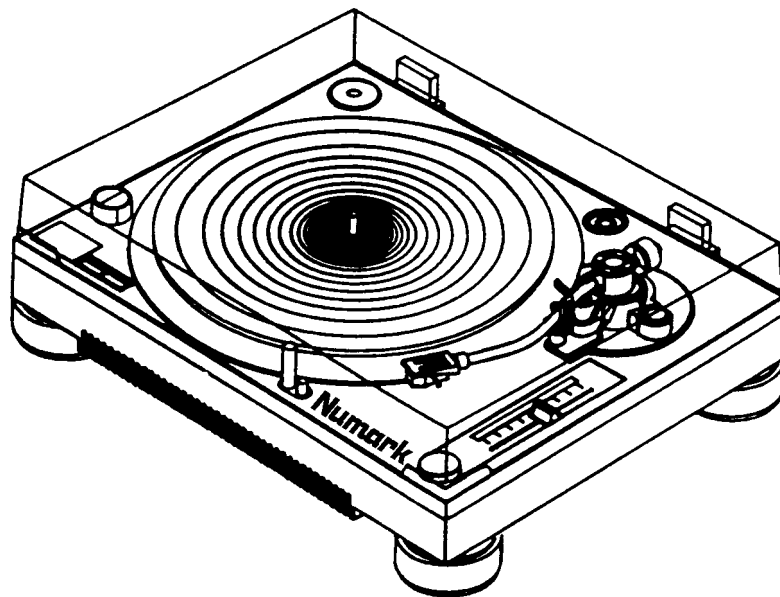


Numark
Professional Disc Jockey Products

TT1910 Direct-Drive Turntable

OWNER'S MANUAL



NUMARK INDUSTRIES
11 Helmsman Road, North Kingstown, RI 02852

<http://www.numark.com>

CONGRATULATIONS!

You have just purchased the Numark TT1910 Professional Direct Drive Turntable. This unit has been design to provide years of reliable operation in an easy to use design. Thank you for purchasing a Numark Product and enjoy the mix.....

TABLE OF CONTENTS

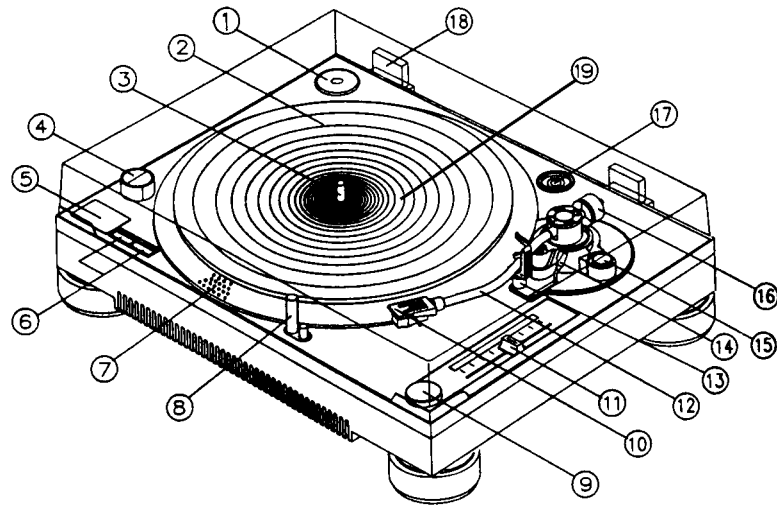
Safety Information Product Registration	Page 2
Introduction	Page 3
Diagram and Parts Description	Page 4
Assembly	Page 4
Operating Instructions	Page 7
Specifications	Page 7
Warranty and Service	Page 8

Contents of this package

1. Main Unit	1
2. Turntable platter	1
3. Turntable mat	1
4. Dust cover	1
5. 45-rpm adaptor	1
6. Counterweight	1
7. Headshell	1
(cartridge attached on cetain models)	
8. Operating instructions	1
9. Registration Card	1

Numark - The Proven Leader in DJ Technology

TT1910 DIAGRAM...



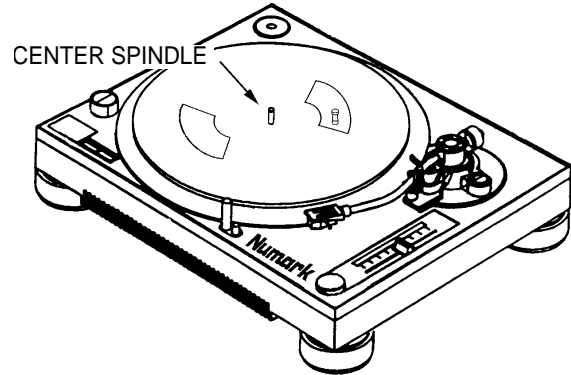
PARTS DESCRIPTION

- | | |
|--------------------------|------------------------------|
| (1) 45-rpm Adaptor | (11) Pitch Control Slider |
| (2) Anti-static slip mat | (12) Tonearm |
| (3) Center Spindle | (13) Arm Rest |
| (4) Stroboscope | (14) Cueing Lever |
| (5) Start/Stop Button | (15) Anti-skating Knob |
| (6) Speed Select Button | (16) Counterweight |
| (7) Strobe Dots | (17) 12V BNC Light Connector |
| (8) Target light | (18) Hinge For Dust Cover |
| (9) Power Button | |
| (10) Headshell | |

Numark - The Proven Leader in DJ Technology

ASSEMBLY

1. Remove the main unit with the packing from the box and take off the packing material.
DO NOT DISCARD ANY PACKING MATERIAL. The headshell, counterweight, and other parts are contained within the packing material.
2. Set the 45-rpm adaptor on the main unit.
3. Set the voltage selector switch to the 110-127 or 220-240V position according to the voltage of power supply. (This unit has been preset for 110-127V AC).
4. Insert the turntable platter onto the center spindle.



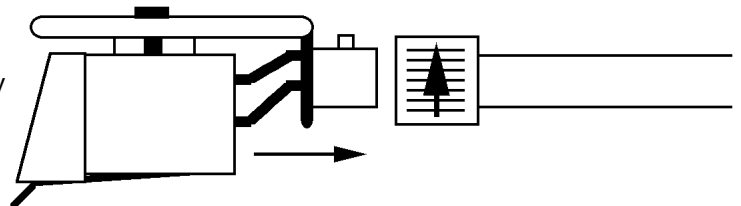
6. Set the turntable mat on the platter.
7. Installing the cartridge: *When installing a cartridge, refer to the operating instructions of that cartridge. During installation, attach the stylus protector to guard the stylus tip from damage. If you have purchased a unit with the cartridge included then that cartridge is already installed on the headshell (You may skip to line 8).*

(1) Connect the lead wires to the cartridge terminals. The terminals of most cartridges are color coded. Connect each lead wire to the terminal of the same color.

White (L+)	Left channel+
Blue (L-)	Left channel
Red (R+)	Right channel+
Green (R-)	Right channel

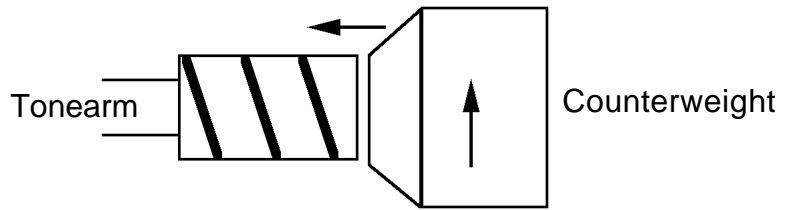
(2) Install the cartridge to the headshell and tighten it with screws provided with the cartridge.

8. Insert the headshell into the front end of the tonearm, then turn the locking nut clockwise with the head shell firmly held horizontally.



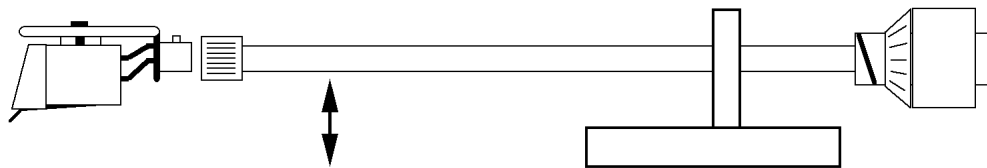
Numark - The Proven Leader in DJ Technology

9. Slide counterweight onto the rear of the tonearm.
Twist it lightly and it will screw onto the rear shaft of the tonearm.



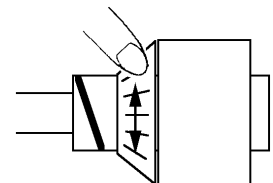
10. Adjustment of horizontal zero (O) balance with stylus pressure and anti-skating :

- (1) Remove the stylus protector, do not touch the stylus tip during the adjustment.
- (2) Set the cueing lever to the lower position so it does not effect tone arm height.
- (3) Release the arm clamp and lift the tonearm from the arm rest so it moves freely.
- (4) Rotate the counterweight until the tonearm is approximately balanced horizontally (floats freely).

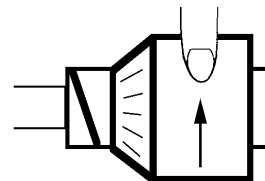


(5) Refasten the tonearm with the arm clamp.

(6) Hold the counterweight stationary with one hand and rotate only the stylus-pressure ring to bring the number "O" of the ring into alignment with the center line on the tonearm rear shaft.



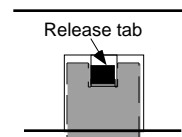
(7) Rotate the counterweight with scale ring clockwise to the correct stylus pressure following the manufacture's recommendation.



(8) Set the anti-skating control knob to the same value as the stylus pressure unless your manufacturer specifies otherwise

11. Install the dust cover to the main unit. **This lid is not designed for continual removal.**

If you need to remove the lid press both release tabs at the same time.



CONNECTIONS

1. Connect the power cord to the power outlet.
2. Connect the unit's output terminals from the rear of the unit to the PHONO jack of your DJ mixer or home amplifier/receiver.

Output terminals	Phono input of mixer
L (White) ----->	L Channel
R (Red) ----->	R Channel
GND (Spade) ----->	GND

•Notes: Be sure to connect the ground terminal firmly to the amplifier or receiver. If this connection is not made or is loose, a power source "HUM" may result.

Numark - The Proven Leader in DJ Technology

OPERATING INSTRUCTIONS

Push the power button to turn on the power, the speed indicator and the strobe-illuminator will light up.

Place a record on the turntable mat, when playing a 45rpm record with a large center hole, place the 45-rpm adaptor on the center spindle.

Set the rotation speed (33/45) to match the record.

Remove the stylus protector, release the arm clamp.

Set the cueing lever to the up position.

Press the Start/Stop button, the turntable platter will start to rotate.

Move the tonearm over the desired groove.

Set the cueing lever to the down position, the tonearm will descend slowly onto the record and play begins.

To suspend play, lift tone arm with cueing lever.

J. When play is finished, raise the cueing lever, move the tonearm to the arm rest, secure the tonearm with the arm clamp.

1. Press the Start/Stop button to stop the platter rotating, push the power button to turn off the power.

TARGET LIGHT

This unit is provided with a target light for illuminating the stylus tip during play. Push the target light button, the target light will be raised into position for illuminating the stylus tip. When not in use, keep the target light lowered through depression.

PITCH ADJUSTMENT

The pitch control is variable in a range of +/- 10%. During play, observe the strobe dots, if the strobe dots appear to the right, the pitch is slower than the rated speed, if flow to the left, the pitch is faster than the rated speed, if the strobe dots appear stationary, which means the platter is in normal turntable speed. Move the pitch control slider up or down to adjust the speed.

PLACEMENT

- Do not place the unit in a location where it will be exposed to direct sun light or near a heating appliance.
- Do not place the unit in a location where there is high humidity or a lot of dust.
- Cartridge may pick up slight sound pressure or vibrations of the speakers coming along the floor or through the air resulting in howling. Find a location which is very stable and free vibration.
- The legs have functions for adjusting the height of the unit itself. Adjust the legs to stabilize the main body horizontally.

MAINTENANCE

- Clean the stylus periodically with a soft brush to prevent the accumulation of dust.
- When the sound becomes distorted or noisy, check the stylus. If worn out, replace it with a new one.
- From time to time, the dust cover and turntable cabinet should be wiped with a soft, dry cloth. Any volatile materials as alcohol, thinner, benzine, etc., may remove the paint or damage the luster, should not be used.

SPECIFICATIONS

Turntable section

Type	2-speed, full manual
Driving method	Direct drive
Motor	8pole, 2phase, brushless DC motor
Turntable platter	Aluminum diecast 330mm dia.
Turntable speed	33-1/3 and 45 rpm
Starting torque	more than 600g-cm
Braking System	Electronic Brake
Wow and flutter	Less than 0.20%
S/N ratio	55dB (DIN-B)

Tonearm section

Type	Universal s-shaped tubular arm
Effective length	220mm
<u>General</u>	
Power supply	AC110-127V/220-240V, 50/60Hz
Power consumption	20 Watts
Dimension(WxDxH)	450 x 350 x 148 mm 17 3/4" x 13 3/4" x 5 7/8"
Weight	7.5 Kgs 16 lbs

Specifications and design may be changed without notice for improvement.

Numark - The Proven Leader in DJ Technology

Numark

Professional Disc Jockey Products

Warranty and Service Information

Numark Industries, LLC and Numark International, Inc. (hereafter "Numark") warrants each new product manufactured and/or supplied by it to be free from defects in material or workmanship under conditions of normal use and service for 360 days, beginning on the date of purchase from an authorized Numark Dealer, but not to exceed 2 years from date of shipment by Numark.

The Numark obligation under this warranty is limited to repairing or replacing, at its option, the product or part(s) therein; which upon examination by Numark shall appear to be defective or not up to factory specifications; providing the Numark product is returned (transportation prepaid) to Numark.

Numark shall not be liable for any damages, consequential or otherwise, resulting from the use and operation of this product and makes no other warranty(s) either express or implied on this product, including any warranty of merchantability.

This warranty does not extend to any of our products which have been subjected to misuse, neglect, accident, incorrect wiring not our own, improper installation, or use in violation of instructions furnished by us, nor extended to units which have been repaired or altered outside of our factory, nor to cases where the serial number thereof has been removed, defaced, or changed, nor to accessories used therewith not of our own manufacture. Numark reserves the right to make changes or improvements in its products, during subsequent production, without incurring the obligation to install such changes or improvements on previously manufactured equipment.

To place this warranty into effect, the enclosed WARRANTY REGISTRATION CARD must be returned to Numark Industries, LLC within thirty (30) days after date of purchase.

This warranty gives you specific legal rights, and you may also have other rights which vary from state to state.

Some states do not allow the exclusion or limitation of incidental or consequential damages so the above limitation or exclusion may not apply to you.

EQUIPMENT TRANSPORT

A Return Authorization number should be obtained from Numark through the addresses or phone numbers below.

It is the customer's obligation, when returning faulty equipment, to properly pack the Numark equipment in its original packaging. Failure to do so may inadequately protect the equipment in transit and, therefore, jeopardize the customer's warranty. The defective Numark equipment should be sent, FREIGHT PREPAID with Return Authorization number to:

NUMARK INDUSTRIES
11 Helmsman Road
North Kingstown, RI 02852 U.S.A.
Attention: Service Department

Telephone: +1 (401) 295-9000
Fax: +1 (401) 295-5200
E-mail: numark@numark.com

Free Manuals Download Website

<http://myh66.com>

<http://usermanuals.us>

<http://www.somanuals.com>

<http://www.4manuals.cc>

<http://www.manual-lib.com>

<http://www.404manual.com>

<http://www.luxmanual.com>

<http://aubethermostatmanual.com>

Golf course search by state

<http://golfingnear.com>

Email search by domain

<http://emailbydomain.com>

Auto manuals search

<http://auto.somanuals.com>

TV manuals search

<http://tv.somanuals.com>