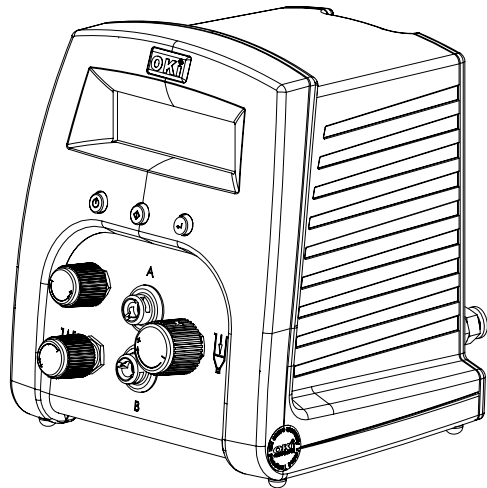


# OK International DX-350 / 355 Precision Dispensers

## User Guide

English, Simplified Chinese, Traditional Chinese and Korean Version



DX-350 / 355

精密点胶机

用户指南

DX-350 / 355

精密點膠機

使用者指南

DX-350 / 355

정밀 디스펜서

사용설명서



Copyright © OK International

## CONTENTS

|  | Page Number |
|--|-------------|
| 1 Safety.....                                      | 2 - 3       |
| 2 Symbol Definitions.....                          | 3           |
| 3 Specifications .....                             | 3           |
| 4 Features .....                                   | 4           |
| 5 Connecting the Unit.....                         | 5           |
| 6 Setup Instructions .....                         | 5 - 6       |
| 7 Troubleshooting .....                            | 7           |
| 8 Maintenance .....                                | 8           |
| 9 Spare Parts and Accessories .....                | 8           |
| 10 Warranty .....                                  | 8           |
| 11 I/O Configuration and End of Cycle Switch ..... | 8           |

### 1 SAFETY

#### 1.1 Intended Use:

**WARNING:** Use of this equipment in ways other than those described in this User Guide may result in injury to persons or damage to property. Use this equipment only as described in this User Guide.

OK International cannot be responsible for injuries or damages resulting from unintended applications of its equipment. Unintended uses may result from taking the following actions:


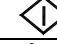

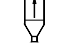
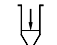
- Making changes to equipment that has not been recommended in the User Guide
- Using incompatible or damaged replacement parts
- Using unapproved accessories or auxiliary equipment

#### 1.2 Safety Precautions:

- Do not operate this unit in excess of maximum ratings/settings
- Always wear appropriate personal protective clothing or apparel
- Use only the following power adaptor models: PSA15R-240P(ZJ) or PW118RA2403B01, PW118RA2403H01, PW118RA2403M01, PW118RA2403G01
- Care must be taken to prevent the ingress of corrosive or flammable fluid back into the unit. If corrosive or flammable fluids are used, an inline filter (881-000-000) must be installed on the dispenser to help prevent the fluids from being sucked back into the unit
- The fluid being dispensed may be toxic and/or hazardous. Refer to Material Safety Data Sheet for proper handling and safety precautions
- If a piston is not used with the barrel, an inline filter (881-000-000) must be installed on the receiver head to help prevent fluids from being sucked back into the unit. Also do not overfill the barrel and to lay the barrel on its side
- Do not smoke or use open flame when flammable materials are being dispensed

- This equipment is for indoor use only

## 2 SYMBOL DEFINITIONS

| Symbol   | Definition   |
|--|--------------|
|  | Power On/Off |
|  | Cycle Mode   |
|  | Timer        |
|  | Vacuum       |
|  | Pressure     |

## 3 SPECIFICATIONS

|                         |   |
|-------------------------|---|
| Size                    | 152mm X 165mm X 178mm<br>(6" X 6.5" X 7.0")   |
| Weight                  | 1.2 kg (2.6lbs)   |
| Input Voltage           | 24VDC   |
| Rated Power             | 10W   |
| Air Input               | 100 psi (6.9 bar) Max.  |
| Pollution Degree        | II  |
| Installation Category   | I   |
| Indoor Use              | Altitude up to 2,000m (6,562ft)   |
| Operating Temperature   | 0°C to 50°C (32°F to 122°F)   |
| Storage Temperature     | -10°C to 60°C (14°F to 140°F)   |
| Max. Relative Humidity  | 80% for temperature up to 31°C (87.8°F)<br>Decreasing linearly to 50% relative humidity at 40°C (104°F) |
| Air Output              | DX-350 = 0-100 psi (0-6.9 bar)<br>DX-355 = 0-15 psi (0-1.03 bar)  |
| Vacuum                  | 406mm (16") of Hg   |
| Timer                   | 0.008-60.000 seconds  |
| Cycle Mode              | Timed, Interrupt, Teach, Purge  |
| Timing Repeat Tolerance | +/- 0.001%  |
| Cycle Rate              | 1,200 cycles/min.   |
| LCD                     | 20 X 4 display segments   |

## 4 FEATURES

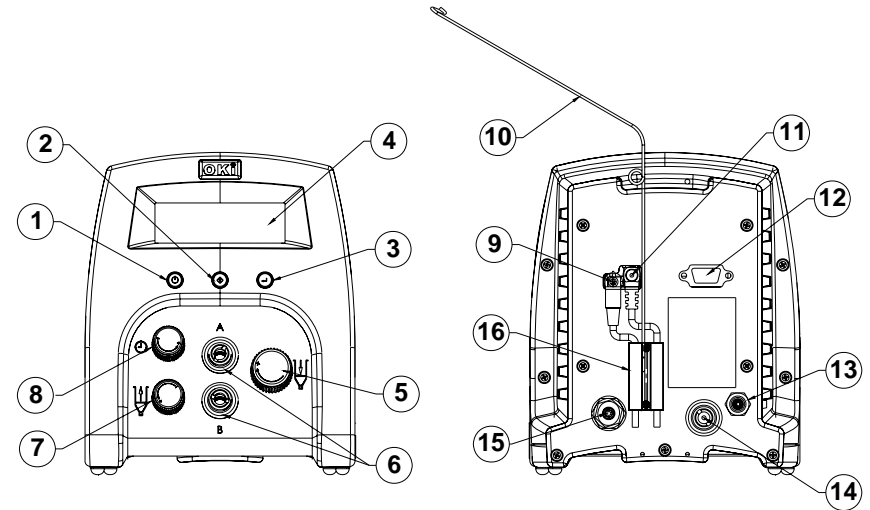


Figure 1.0

| Items | Description                   |
|-------|-------------------------------|
| 1     | Power Button                  |
| 2     | Mode Button                   |
| 3     | Reset Button                  |
| 4     | Display                       |
| 5     | Air Pressure Regulator        |
| 6     | Pulsed Air Outlet             |
| 7     | Vacuum Control                |
| 8     | Setup Control Knob            |
| 9     | Foot Switch Receptacle        |
| 10    | Receiver Head air hose holder |
| 11    | Power Receptacle              |
| 12    | I/O Connection                |
| 13    | Exhaust Port                  |
| 14    | Accessory Air Outlet          |
| 15    | Air Inlet                     |
| 16    | Cord Lock                     |

## 5 CONNECTING THE UNIT

**CAUTION:** A 5-micron filter TSD800-6, not included, must be installed with the unit to ensure proper air filtration.

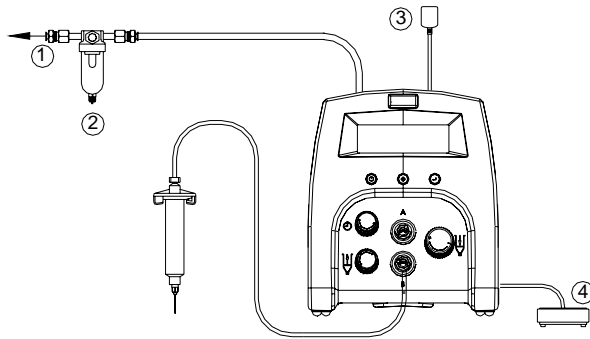


Figure 2.0

| Items | Description               |
|-------|---------------------------|
| 1     | To Air Source             |
| 2     | Air Filter (Not Included) |
| 3     | Power Adapter             |
| 4     | Foot Switch               |

## 6 SETUP INSTRUCTIONS

Refer to Figure 1.0

### 6.1 Manual/Purge Dispense Cycle Setting:

1. Turn on the unit by pressing the Power button (1)
2. Press the Mode button (2) until "PURGE" appears on the Display.
3. Turn up the air pressure by rotating the Air pressure regulator knob (5) until the desired pressure is indicated on the Display
4. After filling the barrel or using pre-packaged adhesive, attach syringe to receiver head assembly. Make certain that the syringe locks into place
5. Connect the plug end of the receiver head assembly to one of the air dispense outlet (6).
6. If vacuum "suck back" is needed, rotate the Vacuum regulator (7) counter clockwise until the desired vacuum pressure is indicated on the Display
7. Press and hold the Foot switch to activate dispensed cycle. (The Manual/Purge Mode is now activated)

### 6.2 Automatic Dispense Cycle Setting

#### 6.2.1 Program selection

1. Press the reset button (3) until "P:" is flashing
2. Rotate the Setup Control Knob (8) to select desired program

#### 6.2.2 Time setting

1. Press the Mode button (2) to select "TIMED" mode
2. Press and release the reset button (3) until the colon cursor (:) in the "TIME:" is flashing.
3. Rotate the Setup control knob (8) to set the desired dispense time
4. Depress Foot switch to activate timed dispensed cycle

### 6.3 Teach Mode Setting

In the teach mode, the unit will accumulate time as long as the foot switch is depressed. This is helpful in determining dispense time required when dispense output is unknown.

1. Press the Mode button (2) to select "TEACH" mode.
2. Press and release the reset button (3) until the dispense time = 0.000S
3. Press and hold down Foot switch. Dispense time will accumulate during this time.
4. Release Foot switch when proper amount of fluid is dispensed.
5. Press the Mode button (2) to switch the "TIMED" mode.
6. The dispenser is now set to repeat this time cycle.

### 6.4 Multiple Shots Setting:

Up to ten separate individual or sequenced shots can be stored in the DX-350/DX-355.

1. Follow steps in section "6.2 Automatic Dispense Cycle Setting" to set dispense time in desired programs.
2. Press both the Reset button (3) and the Power button (1) simultaneously to activate sequence program mode.
3. Rotate the Setup Control knob to select total number of program to be dispensed in sequence
4. Press both the Reset button (3) and Power button (1) to exit Multiple Shots mode.

### 6.5 Cycle Counter

The cycle counter records the numbers of automatic dispense cycle being activated. Up to 65,535 cycles can be recorded. This number is shown at the lower right hand corner of the LCD. To reset the counter, press and hold the Reset button (3) and the Mode button (2) simultaneously until the counter shows "0".

### 6.6 Change Pressure and Vacuum Unit Display

1. Press and release the reset button (3) until the colon cursor (:) in the "PRESSURE:" or "VACUUM:" is flashing
2. Rotate the Setup control knob (8) to select desired unit display

## 7 TROUBLESHOOTING

| PROBLEM   | POSSIBLE CAUSE  | CORRECTION  |
|---|---|---|
| <ul style="list-style-type: none"> <li>• LCD does not light</li> </ul>          | <ul style="list-style-type: none"> <li>• No power input</li> </ul>  | <ul style="list-style-type: none"> <li>• Check power cord connections</li> <li>• Turn on power</li> </ul>   |
| <ul style="list-style-type: none"> <li>• System will not actuate</li> </ul>     | <ul style="list-style-type: none"> <li>• Foot switch not plugged in or improperly plugged in</li> <li>• Defective foot switch</li> <li>• Broken wire or loose connection inside unit</li> <li>• Defective solenoid</li> <li>• Defective PC board</li> </ul> | <ul style="list-style-type: none"> <li>• Check foot switch connection</li> <li>• Foot switch needs to be repaired or replaced</li> <li>• Unplug power cord and disconnect air supply. Remove cover and check for broken wires or loose connections</li> <li>• Replace solenoid</li> <li>• Replace PC board</li> </ul> |
| <ul style="list-style-type: none"> <li>• System will not pressurize</li> </ul>  | <ul style="list-style-type: none"> <li>• Insufficient air pressure</li> <li>• Air hoses not plugged in</li> <li>• Regulator defective</li> </ul>  | <ul style="list-style-type: none"> <li>• Increase air supply pressure</li> <li>• Check connection</li> <li>• Replace regulator</li> </ul>   |
| <ul style="list-style-type: none"> <li>• System will not pull vacuum</li> </ul> | <ul style="list-style-type: none"> <li>• Vacuum setting is too low</li> <li>• Defective solenoid</li> <li>• Defective vacuum venturi</li> <li>• Defective vacuum needle valve</li> </ul>  | <ul style="list-style-type: none"> <li>• Increase vacuum setting</li> <li>• Replace solenoid valve</li> <li>• Replace venturi</li> <li>• Replace needle valve</li> </ul>  |
| <ul style="list-style-type: none"> <li>• Inconsistent dispensing</li> </ul>     | <ul style="list-style-type: none"> <li>• Air bubbles in adhesive</li> <li>• Dispense time is too low</li> <li>• Dispense needle started to clog</li> </ul>  | <ul style="list-style-type: none"> <li>• Reduce vacuum setting</li> <li>• Increase dispensing time</li> <li>• Replace needle</li> </ul>   |

## 8 MAINTENANCE

The dispenser is designed and built to be relatively maintenance free. To assure trouble free operation, the following recommendations should be followed:

1. Make certain air supply is clean and dry.
2. Avoid turning barrels upside down or laying barrel so that material may run through air line to internal components.
3. Avoid connecting the unit to excessive moisture or solvent saturation.
4. Avoid connecting air supply exceeding 100 psi (6.9 bar) for the DX-350 and 15 psi (1.03 bar) for the DX-355.
5. Use only Amyl Alcohol to clean outside surface of the main housing.
6. Use only soft cloth to clean the LCD.

## 9 SPARE PARTS AND ACCESSORIES

For DX-3xx/2xx spare parts and accessories information, please visit the DX-3xx/2xx User Guide webpage at <http://www.okinternational.com>

## 10 LIMITED WARRANTY

OK International warrants this product to the original purchaser for a period of one (1) year from date of purchase to be free from material and workmanship defects but not normal wear-and-tear, abuse and faulty installation. Defective product or subassembly and components under warranty will be repaired or replaced (at OK International's option) free of charge. Customer with defective product under warranty must contact the nearest OK International office or distributor to secure a return authorization prior to shipping the product to the assigned OK International authorized service center. For nearest OK International office or distributor contact information, please visit [www.okinternational.com](http://www.okinternational.com). OK International reserves the right to make engineering product changes without notice.

## 11 I/O Configuration and End of Cycle Switch

For DX-3xx/3xx I/O Configuration and End of Cycle Switch information, please visit the DX-3xx/2xx User Guide webpage at <http://www.okinternational.com>

# 目录

|                       | 页码    |
|-----------------------|-------|
| 1 安全信息.....           | 2 - 3 |
| 2 符号定义.....           | 3     |
| 3 规格说明.....           | 4     |
| 4 特色.....             | 5     |
| 5 连接设备.....           | 6     |
| 6 设置说明.....           | 6 - 7 |
| 7 操作图.....            | 8     |
| 8 故障排除.....           | 9     |
| 9 维护.....             | 9     |
| 10 备件和附件.....         | 9     |
| 11 保修.....            | 9     |
| 12 I/O 配置和循环结束开关..... | 9     |

## 1 安全信息

### 1.1 用途：

**警告：**除“用户指南”中介绍的使用方法之外，以其它任何方式使用此设备均可能会造成人身伤害或财产受损。请务必按照“用户指南”中的方法使用此设备。




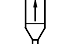
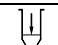
OK International 对因设备的非规定应用所造成的人身伤害或财产受损概不负责。以下行为可能导致非规定应用：

- 更换为“用户指南”中并未推荐的设备
- 使用不兼容或已损坏的更换件
- 使用未经验证的附件或辅助设备

### 1.2 安全注意事项：

- 操作此设备时切勿超过最大额定功率/设置
- 务必穿上适当的个人防护衣
- 仅可使用以下电源适配器型号：PSA15R-240P(ZJ) 或 PW118RA2403B01、PW118RA2403H01、PW118RA2403M01、PW118RA2403G01
- 务必小心防止入口处的腐蚀性或易燃液体回流入设备。如果使用腐蚀性或易燃液体，则在点胶机上必须要安装进气管过滤器 (881-000-000)，防止液体倒吸入设备
- 点胶液可能是有毒和/或危险物质。请仔细阅读用“材料安全数据表”和安全注意事项
- 如果活塞没有配合针筒使用，则在接收器磁头上必须要安装进气管过滤器 (881-000-000)，防止液体倒吸入设备。切勿将该针筒装得太满并且要以其侧面放置
- 使用易燃液料点胶时，切勿吸烟或使用明火
- 该设备仅可在室内使用

## 2 符号定义

| 符号  | 定义   |
|---|------|
|    | 电源开关 |
|   | 循环模式 |
|  | 计时器  |
|  | 真空装置 |
|  | 压力装置 |

### 3 规格说明

|             |  |
|-------------|--|
| 尺寸          | 152mm X 165mm X 178mm<br>(6" X 6.5" X 7")                        |
| 重量          | 1.2 kg (2.6 lbs)   |
| 输入电压        | 24 VDC   |
| 额定功率        | 10 W   |
| 进气量         | 最大 100 psi ( 6.9 巴 )   |
| 污染程度        | II   |
| 安装类别        | I  |
| 室内使用        | 海拔可达 2000m (6562ft)  |
| 操作温度        | 0°C 到 50°C ( 32°F 到 122°F )                                      |
| 储藏温度        | -10°C 到 60°C ( -10.00°C 到 60.00°C )                              |
| 最大相对湿度      | 温度是 31°C (87.8°F) 时为 80%，达到 40°C (104°F) 时会线性降至 50%              |
| 排气量         | DX-350 = 0-100 psi ( 0-6.9 巴 )<br>DX-355 = 0-15 psi ( 0-1.03 巴 ) |
| 真空          | 406mm (16") ( 水银汞柱 )   |
| 计时器         | 0.008-60.000 秒   |
| 循环模式        | 连续、中断、排胶   |
| 定时重复容限      | +/- 0.001%   |
| 循环率         | 1200 次/分   |
| 液晶显示器 (LCD) | 20 X 4 显示段   |

### 4 功能

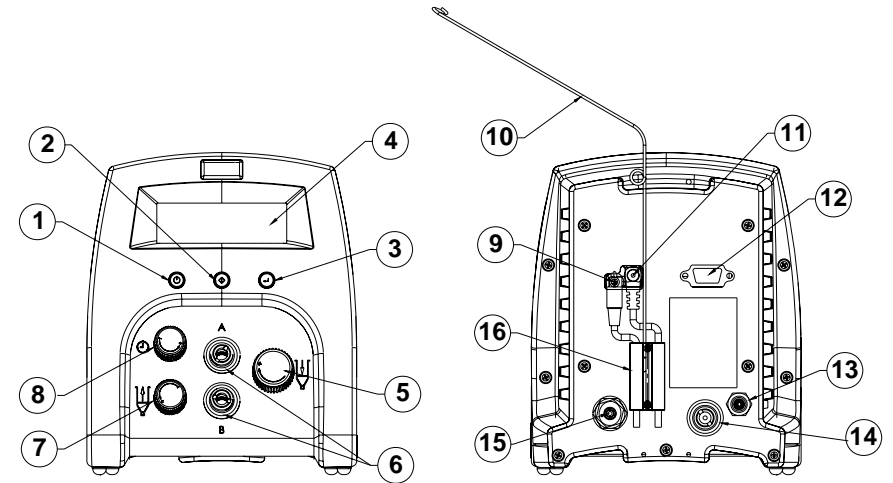


图 1.0 (a)

| 条目 | 说明        |
|----|-----------|
| 1  | 电源按钮      |
| 2  | 模式按钮      |
| 3  | 设置/保存按钮   |
| 4  | 显示        |
| 5  | 气压调节器     |
| 6  | 脉冲气体出口    |
| 7  | 真空控制器     |
| 8  | 程序/时间选择旋钮 |
| 9  | 脚踏开关插座    |
| 10 | 气管支架      |
| 11 | 电源插座      |
| 12 | I/O 连接    |
| 13 | 排放口       |
| 14 | 附件气体出口    |
| 15 | 进气口       |
| 16 | 绳扣        |

## 5 连接设备

注意：此设备必须安装5 微米的过滤网(TSD800-6)，随机没有,确保适当的气体过滤。

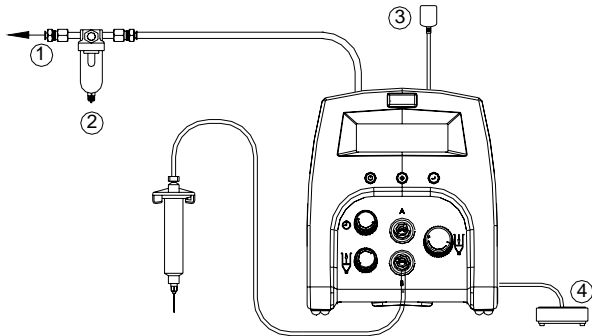


图 2.0

| 条目 | 说明           |
|----|--------------|
| 1  | 目标气源         |
| 2  | 气体过滤器 (随机不带) |
| 3  | 电源适配器        |
| 4  | 脚踏开关         |

## 6 设置说明

请参见图 1.0

### 6.1 手动/排胶点胶循环设置：

1. 按“电源”按钮 (1) 打开设备。
2. 按“模式”按钮 (2) 直到显示器上出现“PURGE 排胶”。
3. 通过旋转压力调节旋钮 (5) 直至所需要的点胶压力显示出来
4. 填充针筒或使用预封装的胶合剂后，将注射器附在接收器磁头组件上。确保注射器固定于恰当的位置。
5. 将接收器磁头组件的插入端连接到其中一个气式点胶出口 (6)。
6. 如果需要真空抽吸，逆时针旋转真空压力旋钮 (7)，所需要的真空压力可以显示出来。
7. 压住“脚踏开关”以激活点胶循环。(此刻手动/排胶模式即被激活)

### 6.2 自动点胶循环设置

### 6.2.1 程序选择

1. 按下设置按钮 (3) 直到“P:”开始闪烁
2. 旋转程序选择按钮(8)选择所需要的程序

### 6.2.2 时间设置

1. 按下模式按钮 (2)选择需要的 时间模式
2. 按下并释放设置按钮 (3)直到时间里 (:) 开始闪烁。
3. 旋转时间旋钮 (8)选择需要的点胶时间
4. 压下踩脚踏开关启动点胶周期

### 6.3 培训模式设置

在培训模式下，只要脚踏开关处于压下状态，设备就会累计时间。这有助于确定点胶输出未知时必需的点胶时间。

1. 按下模式按钮(2)选择培训模式。
2. 按下并释放设置按钮 (3)直到点胶时间= 0.000S
3. 压下“脚踏”开关。此操作期间会一直累计点胶时间。
4. 点胶进行到适当的液量时，松开“脚踏”开关。
5. 按住“设置”按钮 (3) 持续 2 秒钟以保存数据。
6. 按下“模式”按钮 (2) 转换到“TIMED (连续)”模式。
7. 此刻，点胶机设置为重复此循环。

### 6.4 连续点胶程序设置：

DX-350/DX-355 中可存储多达 10 发独立或连续点胶。

1. 按照 6.2 的步骤选择所需要程序中的自动点胶时间。
2. 同时按下设置按钮 (3)和电源按钮 (1)启动连续的点胶程序。
3. 按住设置按钮 (3)的时间保持 2 秒，可以保存连续点胶的程序。点胶机现在保存了连续点胶程序。
4. 按下模式按钮 (2)退出连续点胶程序。

### 6.5 循环计数器

循环计数器记录被激活的自动点胶循环次数。循环次数最多可记录到 65,535 条。该数目显示在液晶显示器 (LCD) 的右下角。为了清除计数，可以同时按住设置按钮 (3)和模式按钮 (2)直到计数器为“0”。

### 6.6 调节点胶压力和真空压力显示

1. 按下并释放设置按钮 (3)直到(:)在点胶压力和真空压力上闪烁
2. 旋转时间旋钮 (8)选择需要的显示值

## 7 故障排除

| 故障       | 可能的原因   | 排障方法   |
|----------|---|--|
| LCD 不亮   | <ul style="list-style-type: none"> <li>未通电</li> </ul>   | <ul style="list-style-type: none"> <li>检查电源线连接</li> <li>打开电源</li> </ul>  |
| 系统无法启动   | <ul style="list-style-type: none"> <li>未接通“脚踏”开关或插头未正确插入</li> <li>脚踏开关有问题</li> <li>设备内部线路受损或连接不牢固</li> <li>螺线管有问题</li> <li>PC 板有问题</li> </ul> | <ul style="list-style-type: none"> <li>检查脚踏开关的连接</li> <li>维修或更换脚踏开关</li> <li>拔去电源线，断开气源。除去封盖，检查受损的电线或连接不牢固处</li> <li>更换螺线管</li> <li>更换 PC 板</li> </ul> |
| 系统无法增压   | <ul style="list-style-type: none"> <li>气压不足</li> <li>空气软管未接通</li> <li>调节器有问题</li> </ul>   | <ul style="list-style-type: none"> <li>增大气源压力</li> <li>检查连接</li> <li>更换调节器</li> </ul>  |
| 系统无法抽为真空 | <ul style="list-style-type: none"> <li>真空设置太低</li> <li>螺线管有问题</li> <li>真空文氏管有问题</li> <li>真空针阀有问题</li> </ul>                                   | <ul style="list-style-type: none"> <li>增大真空设置</li> <li>更换螺线管阀</li> <li>更换文氏管</li> <li>更换针阀</li> </ul>  |
| 出胶不一致    | <ul style="list-style-type: none"> <li>胶合剂中有气泡</li> <li>点胶时间太短</li> <li>开始时点胶针头堵塞</li> </ul>  | <ul style="list-style-type: none"> <li>降低真空设置</li> <li>延长点胶时间</li> <li>更换针头</li> </ul>   |

## 8 维护

本点胶机在设计和制造上都趋于完善，很大程度上减少了维护需求。为确保无故障操作，请遵循以下建议：

1. 确保气源清洁、干燥。
2. 避免倒转或平放针筒，这样可能导致液料穿过气体管道进入内部组件。
3. 避免设备与湿度过大的气体或饱和溶液连接。
4. 避免所连接的气源压力超出 DX-350 规定的 100 psi ( 6.9 巴 ) 及 DX-355 规定的 15 psi ( 1.03 巴 ) 。
5. 仅使用戊醇清洗主机架的外表面。
6. 仅使用柔软的布料擦拭液晶显示器 (LCD)。

## 9 备件和附件

有关 DX-3xx/2xx 备件和附件的信息，请访问 <http://www.okinternational.com> 网站中的 DX-350/355 “用户指南”网页。

## 10 有限保修

OK International 保证原始购置的产品从购买日起算一年之内不发生材料和工艺故障，但不包括正常的磨损、滥用以及错误安装。属于保修范围内的次品或有故障的部件和组件会得到免费维修或更换（取决于 OK International 的选择）。顾客如果出现保修范围内的产品故障，须联系最近的 OK International 办事处或经销商，以确保在将产品运送到指定 OK International 授权服务中心之前进行退货验证。有关最近的 OK International 办事处或经销商的联系信息，请访问 [www.okinternational.com](http://www.okinternational.com)。OK International 保留更改技术产品的权利，恕不另行通知。

## 11 I/O 配置和循环结束开关

有关 DX-3xx/3xx I/O 配置和循环结束开关的信息，请访问 <http://www.okinternational.com> 网站中的 DX-3xx/2xx “用户指南”网页。



# 目錄

|                        | 頁碼    |
|------------------------|-------|
| 1 安全性 .....            | 2 - 3 |
| 2 符號定義.....            | 3     |
| 3 規格說明.....            | 4     |
| 4 功能.....              | 5     |
| 5 連接裝置.....            | 6     |
| 6 安裝說明.....            | 6 - 7 |
| 7 操作圖 .....            | 8     |
| 8 疑難排解 .....           | 9     |
| 9 維護.....              | 10    |
| 10 備用零件與附件.....        | 10    |
| 11 保固.....             | 10    |
| 12 I/O 組態與結束循環開關 ..... | 10    |

## 1 安全性

### 1.1 用途：

**警告：**以本「使用者指南」中所描述的以外方式使用本設備可能會導致人身的傷害或財產的損失。請您務必依照本「使用者指南」中所描述的方法來使用此設備。





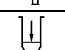
OK International 對於將本設備應用於非計畫目的所造成的傷害或損壞，不負擔任何責任。執行下列動作將可能導致非計畫的使用：

- 更換為本使用者指南中不建議的設備
- 使用不相容或已損壞的更換零件
- 使用未核准的附件或輔助設備

### 1.2 安全預防措施：

- 操作本裝置時請勿超過最大功率/設定
- 始終穿著適當的個人防護衣物或服裝
- 只能使用下列型號的變壓器：PSA15R-240P(ZJ) 或 PW118RA2403B01、PW118RA2403H01、PW118RA2403M01、PW118RA2403G01
- 請小心避免腐蝕性或易燃液體流回裝置。如果要使用腐蝕性或易燃液體，則必須在點膠器上安裝管路過濾器 (881-000-000)，避免液體被吸回裝置中
- 正在點膠的液體可能具有毒性和/或危險性。請參閱「材料安全資料表」以瞭解適當的處理方式以及安全預防措施
- 如果活塞沒有和針桶一起使用，則必須在接收器頭安裝管路過濾器 (881-000-000)，避免液體被吸回裝置中。也請不要讓桶中液體滿出並讓針桶向其側邊倒放
- 在進行易燃材料的點膠時，請勿吸煙或使用明火
- 本設備只能在室內使用

## 2 符號定義

| 符號  | 定義   |
|---|------|
|    | 電源開關 |
|    | 循環模式 |
|    | 計時器  |
|   | 真空裝置 |
|  | 氣壓裝置 |

### 3 規格說明

|        |  |
|--------|--|
| 尺寸     | 152mm X 165mm X 178mm<br>(6" X 6.5" X 7")                        |
| 重量     | 1.2 kg (2.6 lbs)   |
| 輸入電壓   | 24 VDC   |
| 額定功率   | 10 W   |
| 空氣輸入   | 最大 100 psi (6.9 bar)   |
| 污染程度   | II   |
| 安裝種類   | I  |
| 室內使用   | 高度最高可達 2,000m (6,562ft)  |
| 操作溫度   | 0°C 到 50°C (32°F 到 122°F)  |
| 儲存溫度   | -10°C 到 60°C (14°F 到 140°F)                                      |
| 最大相對溼度 | 溫度達到 31°C (87.8°F) 時為 80% , 達到 40°C (104°F) 時直線減少為 50%           |
| 空氣輸出   | DX-350 = 0-100 psi (0-6.9 bar)<br>DX-355 = 0-15 psi (0-1.03 bar) |
| 真空度    | 406mm (16") – Hg   |
| 計時器    | 0.008-60.000 秒   |
| 循環模式   | 連續、中斷、排膠   |
| 定時重複容限 | +/- 0.001%   |
| 循環率    | 1,200 次循環/分  |
| LCD    | 20 X 4 顯示器部份   |

### 4 功能

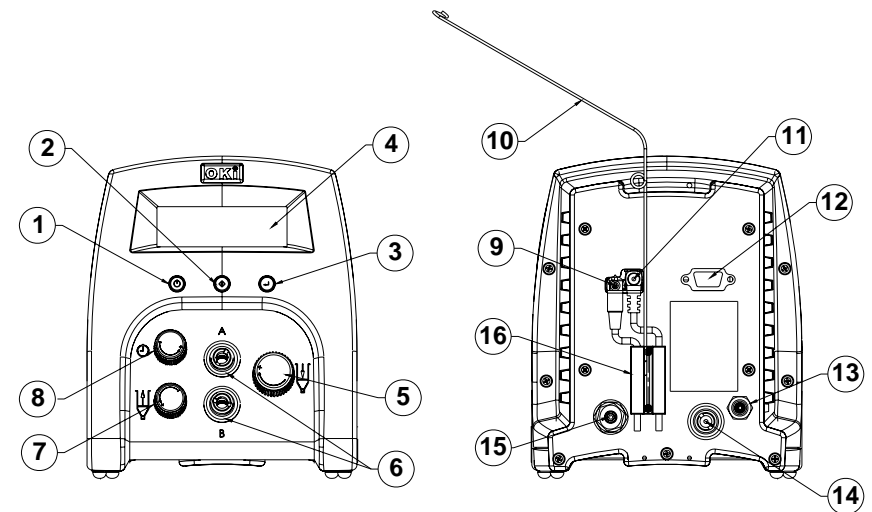


圖 1.0

| 項目 | 說明        |
|----|-----------|
| 1  | 電源按鈕      |
| 2  | 模式按鈕      |
| 3  | 設置/保存按鈕   |
| 4  | 顯示器       |
| 5  | 氣壓調節器     |
| 6  | 脈衝出風口     |
| 7  | 真空控制器     |
| 8  | 程序/時間選擇按鈕 |
| 9  | 腳踏開關插座    |
| 10 | 氣管支架      |
| 11 | 電源插座      |
| 12 | I/O 連線    |
| 13 | 排放口       |
| 14 | 附件空氣出口    |
| 15 | 進氣口       |
| 16 | 電線鎖       |

## 5 連接裝置

注意：本裝置必須安裝有 5-微米過濾器 (TSD800-6)，隨機不帶，以確保適當的空氣過濾。

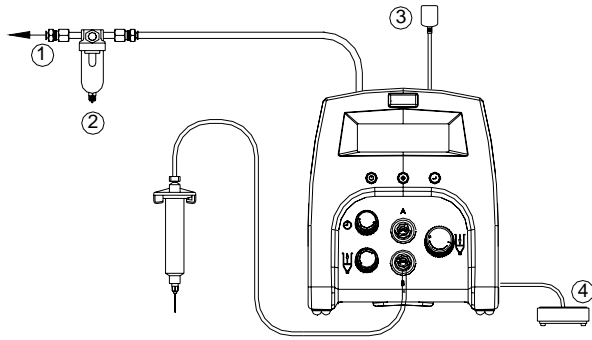


圖 2.0

| 項目 | 說明           |
|----|--------------|
| 1  | 目標空氣來源       |
| 2  | 空氣過濾器 (隨機不帶) |
| 3  | 電源變壓器        |
| 4  | 腳踏開關         |

## 6 安裝說明

請參考圖 1.0

### 6.1 手動/排膠點膠循環設定：

1. 按下電源按鈕 (1) 開啟裝置。
2. 按下模式按鈕 (2) 直到顯示幕上出現 “PURGE” (排膠) 為止。
3. 通過旋轉壓力調節旋鈕 (5) 直至所需要的點膠壓力顯示出來。
4. 在將針桶裝滿或使用預裝膠黏劑時，連接注射器與接收器頭組件。  
確定注射器已鎖至定位。
5. 將接收器頭組件的插頭端與其中一個空氣排放口 (7) 連接。
- 6 如果需要真空抽吸，逆時針旋轉真空壓力旋鈕 (7)，直至所需要的真空壓力顯示出來。
7. 壓住腳踏開關以啟動點膠循環 (手動/排膠模式現在將會啟動)。

## 6.2 自動點膠循環設定

### 6.2.1 程序選擇

1. 按下設置按鈕 (3) 直到 “P:” 開始閃爍
2. 旋轉程序選擇按鈕 (8) 選擇所需要的程序

### 6.2.2 時間設定

3. 按下模式按鈕 (2) 選擇需要的時間模式
4. 按下並釋放設置按鈕 (3) 直到時間里 (:) 開始閃爍。
5. 旋轉時間旋鈕 (8) 選擇需要的點膠時間
6. 壓下腳踏開關，啟動點膠周期

### 6.3 教導模式設定

在教導模式中，只要按下腳踏開關，即可累積時間。如此將有助於在點膠輸出未知時，決定所需的點膠時間。

1. 按下模式按鈕 (2) 選擇培訓模式
2. 按下並釋放設置按鈕 (3) 直到點膠時間 = 0.000S
3. 壓住腳踏開關。此期間的點膠時間將會累積。
4. 當已輸出適當的點膠量時，放開腳踏開關。
5. 按住設定按鈕 (3) 兩秒鐘以儲存資料。
6. 按下模式按鈕 (2) 以切換為 “TIMED” (連續) 模式。
7. 點膠機現在已設定為重複此時間循環。

#### 6.4 連續點膠程序設置：

在 DX-350/DX-355 中最多可以儲存 10 發單獨個別或連續的點膠。

- 1 按照 6.2 的步驟選擇所需要程序中的自動點膠時間。
- 2 同時按下設置按鈕 (3)和電源按鈕 (1)啓動連續點膠程序
- 3 按住設置按鈕 (3)的時間保持 2 秒，可以保存連續點膠程序。
- 4 按下模式按鈕 (2)退出連續點膠程序

#### 6.5 循環計數器

循環計數器會記錄已啟動的自動點膠循環的數目。最多可以記錄 65,535 筆循環。這個數目會顯示在 LCD 的右下角。如要清除計數，可以同時按住設置按鈕 (3)和模式按鈕 (2)直到計數器為“0”

#### 6.6 調節點膠壓力和真空壓力顯示

- 1 按下並釋放設置按鈕(3)直到(:)在點膠壓力和真空壓力上閃爍
- 2 旋轉時間旋鈕(8)選擇需要的顯示值

### 7 疑難排解

| 問題       | 可能的原因  | 解決方式   |
|----------|--|--|
| LCD 不亮   | <ul style="list-style-type: none"> <li>• 無電源輸入</li> </ul>  | <ul style="list-style-type: none"> <li>• 檢查電源線連接</li> <li>• 開啟電源</li> </ul>  |
| 系統不啟動    | <ul style="list-style-type: none"> <li>• 腳踏開關未插入或是未正確插入</li> <li>• 腳踏開關有問題</li> <li>• 裝置內部的電線破損或連線鬆脫</li> <li>• 螺線管有問題</li> <li>• PC 板有問題</li> </ul> | <ul style="list-style-type: none"> <li>• 檢查腳踏開關連接</li> <li>• 修復或更換腳踏開關</li> <li>• 拔除電源線並中斷空氣供應。<br/>取下上蓋並檢查是否有破損的電線或鬆脫的連線</li> <li>• 更換螺線管</li> <li>• 更換 PC 板</li> </ul> |
| 系統不會加壓   | <ul style="list-style-type: none"> <li>• 氣壓不足</li> <li>• 空氣軟管未插入</li> <li>• 調節器有問題</li> </ul>  | <ul style="list-style-type: none"> <li>• 增加空氣供應壓力</li> <li>• 檢查連線</li> <li>• 更換調節器</li> </ul>  |
| 系統不會抽取真空 | <ul style="list-style-type: none"> <li>• 真空設定太低</li> <li>• 螺線管有問題</li> <li>• 真空文氏管有問題</li> <li>• 真空針閥有問題</li> </ul>                                  | <ul style="list-style-type: none"> <li>• 增加真空設定</li> <li>• 更換螺線管閥</li> <li>• 更換文氏管</li> <li>• 更換針閥</li> </ul>  |
| 點膠不一致    | <ul style="list-style-type: none"> <li>• 膠黏劑中有氣泡</li> <li>• 點膠時間太低</li> <li>• 開始時點膠針堵塞</li> </ul>  | <ul style="list-style-type: none"> <li>• 減少真空設定</li> <li>• 增加點膠時間</li> <li>• 更換針</li> </ul>  |

## 8 維護

本點膠機的設計與製造趨於完善，很大程度上減少了維護需求。為了確保在操作上不會有任何問題，操作時請遵循下列的建議事項：

1. 確保空氣供應清潔與乾燥。
2. 避免將針桶上下顛倒放置或平放，以免物料透過空氣管道流入內部元件。
3. 避免裝置與過多溼氣或飽和溶液連接。
4. 避免所連接的空氣供應壓力超過 100 psi (6.9 bar) (DX-350 機型) 以及 15 psi (1.03 bar) (DX-355 機型)。
5. 只能使用 Amyl Alcohol (異戊醇) 來清潔主要機殼外部的表面。
6. 只能使用軟質的布料清潔 LCD。

## 9 備用零件與附件

如需 DX-3xx/2xx 備用零件與附件的資訊，請造訪下列網址的 DX-350/355 使用者指南網頁：<http://www.okinternational.com>

## 10 有限擔保

OK International 向本產品之原始購買者擔保，自購買日期開始的 (1) 年期間，沒有材料和製作方面的瑕疵，但正常的損耗、濫用或錯誤安裝的情況則不提供擔保。在保固期間的瑕疵產品或組件與元件將可獲得免費修理或更換 (依 OK International 選擇)。客戶如果發現仍在保固期間的產品出現瑕疵，在將產品送至指定的 OK International 授權服務中心前，必須聯絡最近的 OK International 辦事處或經銷商。如需最近 OK International 辦事處或經銷商聯絡資訊，請造訪 [www.okinternational.com](http://www.okinternational.com)。OK International 保留變更工程產品的權利，恕不另行通知。

## 11 I/O 組態與結束循環開關

如需 DX-350/355 I/O 組態與結束循環開關的資訊，請造訪 DX-3xx/2xx 下列網址的使用者指南網頁：  
<http://www.okinternational.com>

## 목차

|                           | 페이지 번호 |
|---------------------------|--------|
| 1 안전.....                 | 2 - 3  |
| 2 기호 정의.....              | 3      |
| 3 규격.....                 | 4      |
| 4 기능.....                 | 5      |
| 5 장치 연결.....              | 6      |
| 6 설정 지침.....              | 6 - 7  |
| 7 작동표.....                | 8      |
| 8 문제 해결.....              | 9      |
| 9 유지보수.....               | 10     |
| 10 예비 부품 및 액세서리.....      | 10     |
| 11 보증.....                | 10     |
| 12 I/O 구성 및 주기 변환 종료..... | 10     |

## 1 안전

### 1.1 용도:

**경고: 본 장비를 사용설명서에 명시된 것과 다른 방법으로 사용할 경우 인명 또는 재산 피해를 초래할 수도 있습니다. 반드시 사용설명서에 명시된 대로만 사용하여 주십시오.**

OK International 은 본 장비를 본래 용도 이외의 용도에 사용한 데 따른 일체의 인적, 물적 피해에 대하여 책임을 지지 않습니다. 다음과 같은 행위를 할 경우 오용으로 이어질 수 있습니다.

- 사용설명서에서 권장되지 않은 장비 변경
- 호환이 되지 않거나 파손된 교체 부품 사용

- 허가되지 않은 액세서리나 보조 장비 사용

### 1.2 안전 예방조치:

- 최대 정격/설정을 초과하여 본 장치를 가동시키면 안 됩니다.
- 항상 적합한 개인 보호복을 착용해야 합니다.
- 아래의 전원 어댑터 모델만을 사용하십시오: PSA15R-240P(ZJ) 또는 PW118RA2403B01, PW118RA2403H01, PW118RA2403M01, PW118RA2403G01
- 부식액이나 가연성 액체가 장비에 들어가지 않도록 주의를 기울여야 합니다. 부식액이나 가연성 액체를 사용할 경우에는 인라인 필터(881-000-000)를 디스펜서에 설치하여 이들 액체가 다시 장치로 흡수되지 않도록 해야 합니다.
- 디스펜스 대상 액체는 독성을 가지고 있을 수도 있고 위험할 수도 있습니다. 적절한 취급 및 안전 예방조치는 재료 안전 데이터 시트를 참조하십시오.
- 피스톤을 바렐과 함께 사용하지 않을 경우에는 인라인 필터(881-000-000)를 리시버 헤드에 설치하여 액체가 다시 장치로 흡수되는 것을 방지하십시오. 바렐을 너무 가득 채우고 그 옆에 바렐을 놓치지 마십시오.
- 가연성 재료를 디스펜스할 경우에는 흡연을 하거나 화염을 사용해서는 안 됩니다.
- 본 장비는 실내 전용입니다.

### 2 기호 정의

| 기호   | 정의        |
|--|-----------|
|  | 전원 On/Off |
|  | 주기모드      |
|  | 타이머       |
|  | 진공        |
|  | 압력        |

### 3 규격

|           |  |
|-----------|--|
| 크기        | 152mm X 165mm X 178mm<br>(6" X 6.5" X 7")                        |
| 중량        | 1.2 kg (2.6 lbs)   |
| 입력 전압     | 24VDC  |
| 정격 전압     | 10W  |
| 주입 공기     | 최대 100 psi (6.9 bar)   |
| 오염도       | II   |
| 설치 범주     | I  |
| 실내용       | 최대 고도 2,000m (6,562ft)   |
| 작동 온도     | 0°C - 50°C (32°F - 122°F)  |
| 보관 온도     | -10°C - 60°C (14°F - 140°F)                                      |
| 최대 상대 습도  | 최대 31°C 까지 80% (87.8°F) 40°C(104°F)에서 상대 습도 50%까지 선형으로 감소        |
| 배출 공기     | DX-350 = 0-100 psi (0-6.9 bar)<br>DX-355 = 0-15 psi (0-1.03 bar) |
| 진공        | 406mm (16 인치) 핵토그램   |
| 타이머       | 0.008-60.000 초   |
| 주기 모드     | 계속, 중지, 정화   |
| 타이밍 반복 공차 | +/- 0.001%   |
| 주기율       | 1,200 주기/분   |
| LCD       | 20 X 4 디스플레이 세그먼트  |

#### 4 기능

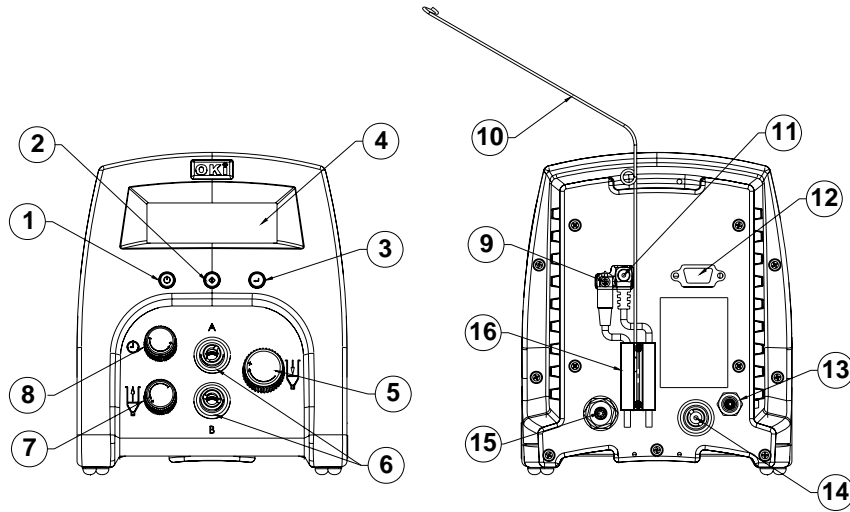


그림 1.0

| 항목 | 설명             |
|----|----------------|
| 1  | 전원 버튼          |
| 2  | 모드 버튼          |
| 3  | 재설정 버튼         |
| 4  | 디스플레이          |
| 5  | 공기 압력 제어기      |
| 6  | 정화된 공기 출구      |
| 7  | 진공 제어          |
| 8  | 설정 제어 손잡이      |
| 9  | 페달식 스위치 콘센트    |
| 10 | 수신 헤드 에어호스 지지대 |
| 11 | 전원 콘센트         |
| 12 | I/O 연결         |
| 13 | 배출 포트          |
| 14 | 액세서리 공기 배출     |
| 15 | 공기 주입구         |
| 16 | 코드 잠금          |

#### 5 장치 연결

주의: 적절한 공기 여과를 확보하기 위해서는 반드시 A 5-마이크론 필터(TSD800-6)를 장치에 설치해야 합니다.

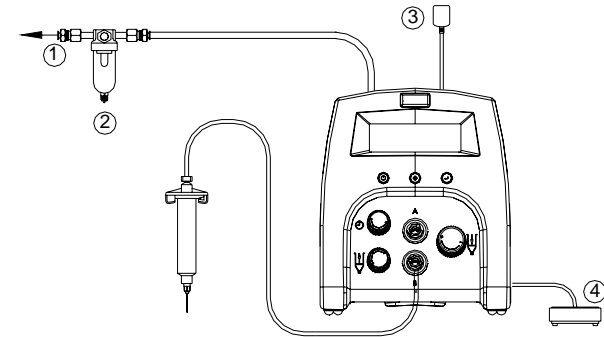


그림 2.0

| 항목 | 내용          |
|----|-------------|
| 1  | 공기 흡입구      |
| 2  | 공기 필터 (불포함) |
| 3  | 전원 어댑터      |
| 4  | 페달식 스위치     |

#### 6 설정 지침

그림 1.0 참조

##### 6.1 수동/정확 디스펜스 주기 설정:

1. 전원 버튼 (1)을 눌러 장치를 가동시킵니다.
2. 디스플레이에 “정화” 표시가 나타날 때까지 모드 버튼(2)을 눌러주십시오.
3. 디스플레이에 원하는 압력이 표시될 때까지 공기 압력 제어기 스위치(5)를 돌려 공기 압력을 높여주십시오.
4. 배럴을 채우거나 미리 포장된 점착성 물질을 사용한 뒤에는 리시버 헤드 부분에 세척기를 부착하여 주십시오. 세척기가 제자리에 꼭 맞도록 부착해야 합니다.
5. 리시버 헤드 어셈블리 부분의 플러그 끝을 에어 디스펜스 출구(7) 한쪽에 연결하십시오.

6. 진공 “후방 흡입”이 필요할 경우에는 디스플레이에 원하는 진공 압력이 표시될 때까지 진공 제어(7) 카운터를 시계 방향으로 돌려주십시오.
7. 페달 스위치를 누른 채로 있으면 디스펜스 주기가 활성화 됩니다 (이제 수동/정화 모드가 활성화 됩니다).

## 6.2 자동 디스펜스 주기 설정

### 6.2.1 프로그램 선택

1. “P:”가 깜빡일 때까지 재설정 버튼(3)을 누르십시오.
2. 설정 제어 손잡이(8)를 돌려 원하는 프로그램을 선택하십시오

### 6.2.2 시간 설정

1. 모드 버튼(2)을 눌러 “TIMED” 모드를 선택하십시오.
2. “TIME:”의 콜론 커서(:)가 깜빡일 때까지 재설정 버튼(3)을 누르십시오.
3. 설정 제어 손잡이(8)를 돌려 원하는 디스펜스 시간을 설정하십시오.
4. 페달 스위치를 밟아주면 디스펜스 주기 시간이 활성화 됩니다.

## 6.3 속달 모드 설정

속달 모드에서는 페달 스위치를 밟고 있는 동안 시간이 누적됩니다. 이것은 디스펜스 배출을 모를 때 필요한 디스펜스 시간을 결정하는데 유용합니다.

1. 모드 버튼(2)을 눌러 “TEACH” 모드를 선택하십시오.
2. 디스펜스 시간이 0.000S 이 될 때까지 재설정 버튼(3)을 누르십시오.
3. 페달 스위치를 누른 채로 있어주십시오. 그동안 디스펜스 시간이 누적됩니다.
4. 적정량의 액체가 디스펜스되면 페달 스위치를 놓아주십시오.
5. 설정 버튼(3)을 2 초간 눌러 데이터를 저장하십시오.
6. 모드 버튼(2)을 눌러 “계속” 모드를 전환합니다.
7. 이제 디스펜서는 이 시간 주기를 반복하기 시작합니다.

## 6.4 멀티플 쇼트 설정:

최대 열 개의 개별 쇼트나 연속 쇼트가 DX-350/DX-355 에 저장될 수 있습니다.

1. “6.2. 자동 디스펜스 주기 설정” 단락의 단계를 따라 원하는 프로그램의 디스펜스 시간을 설정하십시오.
2. 재설정 버튼(3) 및 전원 버튼(1)을 동시에 눌러 시퀀스 프로그램 모드를 활성화하십시오.
3. 설정 제어 손잡이를 돌려 시퀀스에 저장할 전체 프로그램 수를 선택하십시오.
4. 재설정 버튼(3) 및 전원 버튼(1)을 눌러 멀티플 쇼트 모드에서 나가십시오.

## 6.5 주기 카운터

주기 카운터는 활성화되는 자동 디스펜스 주기의 횟수를 기록합니다. 최대 65,535 주기까지 기록할 수 있습니다. 이 횟수는 LCD 우측 하단 모서리에 표시됩니다. 카운터를 재설정하려면 카운터가 “0”이 될 때까지 재설정 버튼(3) 및 모드 버튼(2)을 누르고 계십시오.

## 6.6 압력 및 진공 유닛 디스플레이 변경

1. “PRESSURE:” 또는 “VACUUM:”의 콜론 커서(:)가 깜빡일 때까지 재설정 버튼(3)을 누르십시오.
2. 설정 제어 손잡이(8)를 돌려 원하는 유닛 디스플레이를 선택하십시오.



| 문제                      | 가능한 원인   | 해결책   |
|-------------------------|--|---|
| LCD 에 불이 들어오지 않을 경우     | <ul style="list-style-type: none"> <li>전원이 들어오지 않음</li> </ul>  | <ul style="list-style-type: none"> <li>전원 코드 연결 점검</li> <li>전원을 켜십시오</li> </ul>   |
| 시스템이 가동되지 않을 경우         | <ul style="list-style-type: none"> <li>페달 스위치를 꽂지 않았거나 올바르게 꽂지 않았음</li> <li>페달 스위치 결함</li> <li>배선 파손 또는 장치 내부 연결 이완</li> <li>관형 코일 결함</li> <li>PC 보드 결함</li> </ul> | <ul style="list-style-type: none"> <li>페달 스위치 연결 확인</li> <li>페달 스위치를 수리 또는 교체해야 합니다.</li> <li>전원 코드를 빼고 공기 공급을 차단하십시오. 덮개를 열고 배선 파손이나 연결이 헐거워지지 않았는지 확인하십시오.</li> <li>관형 코일 교체</li> <li>PC 보드 교체</li> </ul> |
| 시스템에 압력이 가해지지 않을 경우     | <ul style="list-style-type: none"> <li>공기 압력 부족</li> <li>공기 호스가 꽂혀있지 않음</li> <li>제어기 결함</li> </ul>   | <ul style="list-style-type: none"> <li>공기 제공 압력 증대</li> <li>연결 확인</li> <li>제어기 교체</li> </ul>  |
| 시스템이 진공 상태를 이끌어내지 않을 경우 | <ul style="list-style-type: none"> <li>진공 설정이 너무 낮음</li> <li>관형 코일 결함</li> <li>진공 venturi 결함</li> <li>진공 needle 밸브 결함</li> </ul>                                   | <ul style="list-style-type: none"> <li>진공 설정 증대</li> <li>관형 코일 밸브 교체</li> <li>venturi 교체</li> <li>needle 밸브 교체</li> </ul>   |
| 디스펜스가 일정하지 않을 경우        | <ul style="list-style-type: none"> <li>점착 물질 내의 기포</li> <li>지나치게 낮은 디스펜스 시간</li> <li>디스펜스 needle 막힘</li> </ul>   | <ul style="list-style-type: none"> <li>진공 설정 축소</li> <li>디스펜스 시간 연장</li> <li>needle 교체</li> </ul>   |

디스펜서는 상대적으로 유지 보수가 필요 없도록 설계, 제작되었습니다. 문제가 없이 작동하려면 다음과 같은 권장 사항을 따라주셔야 합니다.

1. 공급되는 공기는 반드시 청결하고 건조해야 합니다.
2. 바렐을 위아래로 돌리거나, 바렐을 눕혀 재료가 에어 라인을 타고 내부 부품으로 유입되는 일이 없도록 해주십시오.
3. 습도가 과다하거나 용제가 포화 상태인 곳에 장치를 연결하지 않도록 하십시오.
4. DX-350 의 경우 100psi(6.9 bar), DX-355 는 15psi(1.03 bar)를 초과하는 곳에 공기 공급 장치를 연결하지 않도록 하십시오.
5. 반드시 아밀 알코올만을 사용하여 주 동체 표면을 청소해 주십시오.
6. 연한 천을 이용하여 LCD 를 닦아주십시오.

### 9 예비 부품 및 액세서리

DX-3xx/2xx 예비 부품 및 액세서리 정보는 다음 주소의 DX-3xx/2xx

사용설명서 웹 페이지를 확인하시기 바랍니다. <http://www.okinternational.com>

### 10 제한 보증

OK International 은 최초 구매자를 대상으로 소재 및 제조 상의 결함에 한해 (1)년 동안 본 제품을 보증하여 드리되, 일반적인 마모나 긁힘, 오용 및 잘못된 설치 등은 제외합니다. 보증에 의거하여 결함이 있는 제품이나 부품 및 부품은 (OK International 의 옵션에 따라) 무료로 수리 또는 교환해 드립니다. 보증에 따라, 결함이 있는 제품을 구매하신 고객께서는 지정된 OK International 공인 서비스 센터로 제품을 보내시기 전에 가까운 OK International 사무소나 유통 업체에 연락하셔서 반품 인증을 받아주시기 바랍니다. 가장 가까운 OK International 사무소나 유통 업체에 관한 정보는 [www.okinternational.com](http://www.okinternational.com) 을 방문하셔서 확인할 수 있습니다. OK International 은 통보 없이 엔지니어링 제품을 변경할 권리를 가지고 있습니다.

### 11 I/O 구성 및 주기 변환 종료

DX-3xx/2xx I/O 의 구성 및 주기 변환 종료에 관한 정보는 다음 주소의 DX-350/355 사용설명서 웹 페이지를 확인하시기 바랍니다. <http://www.okinternational.com>

## Free Manuals Download Website

<http://myh66.com>

<http://usermanuals.us>

<http://www.somanuals.com>

<http://www.4manuals.cc>

<http://www.manual-lib.com>

<http://www.404manual.com>

<http://www.luxmanual.com>

<http://aubethermostatmanual.com>

Golf course search by state

<http://golfingnear.com>

Email search by domain

<http://emailbydomain.com>

Auto manuals search

<http://auto.somanuals.com>

TV manuals search

<http://tv.somanuals.com>