

**C130n**

# User's Guide

Copyright © 2009 by Oki Data. All Rights Reserved

C130n User's Guide

P/N 59318601, Revision 1.0

May, 2009

Every effort has been made to ensure that the information in this document is complete, accurate, and up-to-date. The manufacturer assumes no responsibility for the results of errors beyond its control. The manufacturer also cannot guarantee that changes in software and equipment made by other manufacturers and referred to in this guide will not affect the applicability of the information in it. Mention of software products manufactured by other companies does not necessarily constitute endorsement by the manufacturer .

While all reasonable efforts have been made to make this document as accurate and helpful as possible, we make no warranty of any kind, expressed or implied, as to the accuracy or completeness of the information contained herein.

The most up-to-date drivers and manuals are available from the web site: <http://www.okiprintingsolutions.com>.

## **Trademark Information**

Oki is a registered trademark of Oki Electric Industry Company Ltd. Apple, Macintosh and Mac OS are registered trademarks of Apple Computers Inc. Hewlett-Packard, HP, and LaserJet are registered trademarks of Hewlett-Packard Company. Microsoft, MS-DOS and Windows are either registered trademarks or trademarks of Microsoft Corporation in the United States and/or other countries.

Other product names and brand names are registered trademarks or trademarks of their proprietors.

# Take Care with Toner Powder

## Emergency First Aid

- If swallowed, give small amounts of cold water and seek medical attention. DO NOT attempt to induce vomiting.
- If inhaled, move the person to an open area for fresh air. Seek medical attention.
- If it gets into the eyes, flush with large amounts of water for at least 15 minutes keeping eyelids open. Seek medical attention.

## Spillage

Spillages should be treated with cold water and soap to help reduce risk of staining skin or clothing.

---

# Contents

---

<b>1 Introduction</b> .....	<b>8</b>
Getting Acquainted with Your Printer .....	9
Space Requirements .....	9
Printer Parts .....	11
Printer CD .....	13
PostScript Drivers .....	13
PCL Drivers.....	13
PPD Files .....	13
Utilities .....	14
System Requirements.....	15
<b>2 Using the Windows Printer Drivers</b> .....	<b>16</b>
Selecting Driver Options/Defaults .....	17
Uninstalling the Printer Driver .....	18
Displaying Printer Driver Settings .....	19
Using the Postscript® and PCL® Printer Drivers .....	20
Favorite Setting Button .....	20
Advanced Tab (PostScript Printer Driver Only) .....	21
Basic Tab .....	22
Layout Tab .....	22
Cover Page Tab.....	22
Watermark/Overlay Tab.....	23
Quality Tab.....	23
Other Tab.....	24
Limitations on printer driver functions installed with Point and Print	24
<b>3 Using the Status Monitor (Windows Only)</b> .....	<b>25</b>
Working with the Status Monitor .....	26
Introduction .....	26
Operating Environment .....	26

Opening the Status Monitor .....	26
Using the Status Monitor .....	26
Recognizing Status Monitor Alerts .....	27
Recovering from a Status Monitor Alert .....	27
Closing the Status Monitor .....	28
<b>4 Printer Control Panel &amp; Configuration Menu .....</b>	<b>29</b>
About the Control Panel .....	30
Control Panel Indicators and Keys .....	30
Toner Supply Indicators .....	32
Configuration Menu Overview .....	32
PRINT MENU .....	32
LANGUAGE MENU .....	51
<b>5 Media Handling .....</b>	<b>52</b>
Print Media .....	53
Specifications .....	53
Media Types .....	54
Plain Paper .....	54
Thick Stock .....	55
Labels .....	56
Letterhead Stationery .....	57
Postcards .....	57
Printable Area .....	59
Page Margins .....	59
Loading Media .....	60
Tray 1 (Multipurpose Tray) .....	60
Other Media .....	63
Tray 2 .....	65
Duplexing .....	68
Duplex Printing .....	68
Output Tray .....	70
Media Storage .....	71
<b>6 Replacing Consumables .....</b>	<b>72</b>
Toner Cartridges .....	73
General Information .....	73
Storing and Handling Toner Cartridges .....	73

Replacing a Toner Cartridge.....	75
Replacing All Toner Cartridges at the Same Time.....	82
Imaging Cartridges.....	84
Replacing the Imaging Cartridge .....	84
The Fuser Unit .....	87
Replacing the Fuser Unit .....	87
<b>7 Maintaining the Printer . . . . .</b>	<b>94</b>
Maintaining the Printer .....	95
Cleaning the Printer .....	98
Cleaning the Exterior .....	98
Cleaning the Interior.....	99
<b>8 Troubleshooting . . . . .</b>	<b>120</b>
Introduction .....	121
Printing a Configuration Page .....	122
Preventing Media Misfeeds.....	123
Understanding the Media Path.....	124
Clearing Media Misfeeds .....	125
Media Misfeed Messages and Clearing Procedures .....	126
Solving Problems with Media Misfeeds.....	140
Solving Other Problems .....	142
Solving Problems with Printing Quality .....	146
Status, Error, and Service Messages.....	152
Standard Status Messages.....	152
Error Messages: Warning .....	153
Error Messages (Operator Call).....	154
Service Messages.....	156
<b>9 Installing Accessories . . . . .</b>	<b>157</b>
Introduction .....	158
Tray 2.....	158
Installing Tray 2.....	158
Duplex Option .....	162
Installing the Duplexing Attachment.....	162
Installing the Duplexer .....	165

<b>10 Specifications</b> .....	<b>168</b>
Printer Specifications .....	169
Consumable Life Expectancy Chart.....	172
User-Replaceable Consumables .....	172
Service-Replaceable Consumables .....	172

***Introduction***

**1**

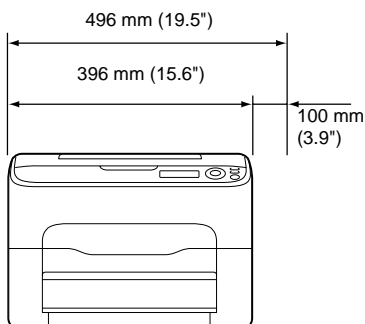


# Getting Acquainted with Your Printer

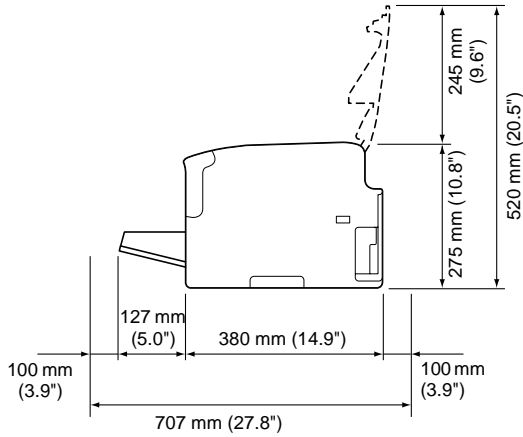
## Space Requirements

To ensure easy operation, consumable replacement and maintenance, adhere to the recommended space requirements detailed below.

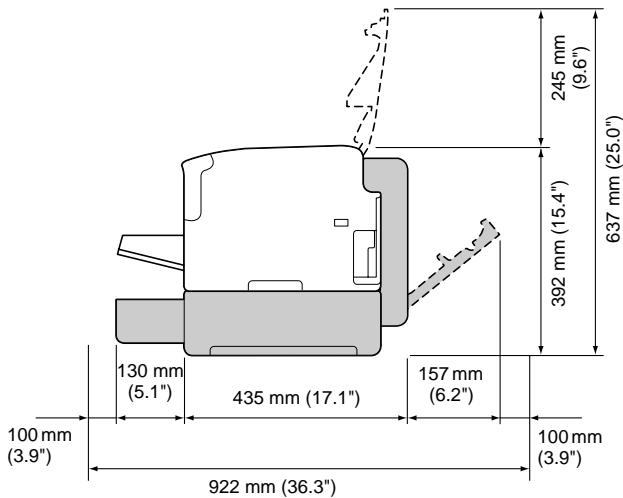
### Front View



## Side View



## Side View with Options (Second Tray & Duplexer)



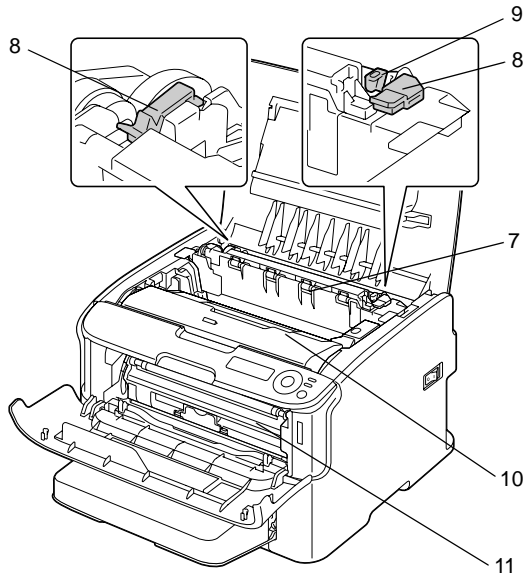
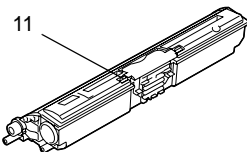
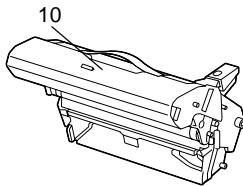
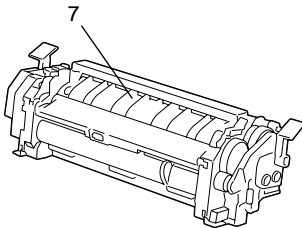
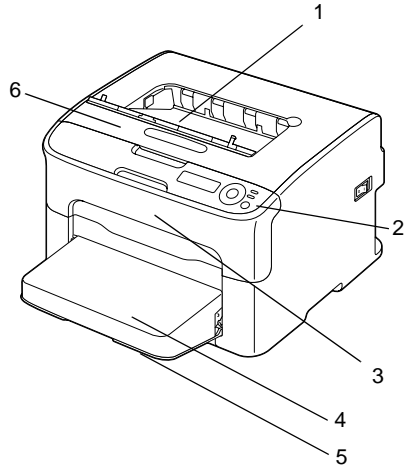
**Note** The option appears shaded in the above illustrations.

# Printer Parts

The following drawings illustrate the parts of your printer referred to throughout this guide, so please take some time to become familiar with them.

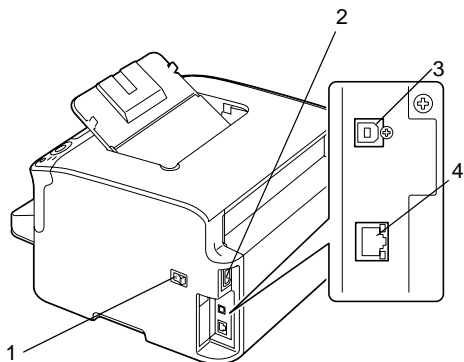
## Front View

- 1—Output tray
- 2—Control panel
- 3—Front cover
- 4—Dust cover
- 5—Tray 1 (Multipurpose tray)
- 6—Top cover
- 7—Fuser unit
- 8—Fuser separator levers
- 9—Fuser cover lever
- 10—Imaging cartridge
- 11—Toner cartridge



## Rear View

- 1—Power switch
- 2—Power connection
- 3—USB port
- 4—10Base-T/100Base-TX  
(IEEE 802.3) Ethernet  
Interface port



# Printer CD

## PostScript Drivers

Operating System	Use/Benefit
Windows Server 2008/Vista/XP/ Server 2003/2000	These drivers give you access to all of the printer features. See also “Displaying Printer Driver Settings” on page 19.
Windows Server 2008/Vista/XP/ Server 2003 for 64bit	

**Note** A specific PPD file has been prepared for applications (such as PageMaker and Corel Draw) which require that a PPD file be specified when printing.

When specifying a PPD file while printing on Windows Server 2008, Vista, XP, Server 2003 and 2000, use the specific PPD file provided on the Printer CD.

## PCL Drivers

Operating System	Use/Benefit
Windows Server 2008/Vista/XP/ Server 2003/2000	These drivers give you access to all of the printer features. See also “Displaying Printer Driver Settings” on page 19.
Windows Server 2008/Vista/XP/ Server 2003 for 64bit	

## PPD Files

Operating System	Use/Benefit
Macintosh OS X (10.2.8/10.3/10.4/ 10.5)	These files are required in order to use the printer driver for each operating system.
Macintosh OS X Server (10.2/10.3/ 10.4/10.5)	
Red Hat Linux 9.0, SuSE Linux 8.2	

## Utilities

Utility	Use/Benefit
Status Monitor (Windows only)	The current status of the printer in addition to the status of consumables and error information can be viewed. For details, refer to See “Using the Status Monitor” on page 26..

## Documentation

Documentation	Use/Benefit
User's Guide (this manual)	This manual provides details on general daily operations, such as using the drivers and control panel and replacing consumables.

# System Requirements

- Personal computer
  - Pentium 2: 400 MHz (Pentium 3: 500 MHz or higher is recommended)
  - Power Mac G3 or later (G4 or later is recommended)
  - Macintosh equipped with an Intel processor
- Operating System
  - Microsoft Windows
    - Windows Server 2008 Standard/Enterprise
    - Windows Server 2008 Standard/Enterprise x64 Edition,
    - Windows Vista Home Basic/Home Premium/Ultimate/Business/Enterprise,
    - Windows Vista Home Basic /Home Premium /Ultimate/Business /Enterprise x64 Edition,
    - Windows XP Home Edition/Professional (Service Pack 1 or later; Service Pack 2 or later is recommended),
    - Windows XP Professional x64 Edition,
    - Windows Server 2003,
    - Windows Server 2003 x64 Edition,
    - Windows 2000 (Service Pack 4 or later)
  - Mac OS X (10.2 or later; We recommend installing the newest patch), Mac OS X Server (10.2 or later)
  - Red Hat Linux 9.0, SuSE Linux 8.2
- Free hard disk space
  - Approximately 20 MB of free hard disk space for printer driver and Status Monitor
  - Approximately 128 MB of free hard disk space for image processing
- RAM
  - 128 MB or more
- CD/DVD-ROM drive
- I/O interface
  - 10Base-T/100Base-TX (IEEE 802.3) Ethernet interface port
  - USB Revision 2.0 and USB Revision 1.1 compliant port.

***Using the  
Windows Printer  
Drivers***

**2**



# Selecting Driver Options/Defaults

Before you start working with your printer, you need to verify/change the default driver settings. Also, if you have options installed, you should activate them in the driver.

- 1 Choose the driver's properties as follows:
  - Windows Server 2008/Vista  
From the **Start** menu, click **Control Panel > Hardware and Sound > Printers** to open the Printers directory. Right-click the icon for this printer, and then click **Properties**.
  - Windows XP/Server 2003  
From the **Start** menu, choose **Printers and Faxes** to display the **Printers and Faxes** directory. Right-click the icon for this printer and choose **Properties**.
  - Windows 2000  
From the **Start** menu, choose **Settings > Printers** to display the **Printers** directory. Right-click the icon for this printer and choose **Properties**.
- 2 If you have installed options, proceed with the next step. Otherwise, skip to step 9.
- 3 Select the **Configure** tab.
- 4 Check that the installed options are correctly listed. If not, proceed with the next step. Otherwise, continue with step 8.
- 5 Click **Refresh** to automatically configure installed options.

**Note** The **Refresh** is available only if bi-directional communication is available with the printer; otherwise it is grayed out.
- 6 From the **Device Options** list, select an option, then select **Enable** or **Disable** from the **Settings** menu.
- 7 Click **Apply**.
- 8 Select the **General** tab.
- 9 Click **Printing Preferences**.

*The Printing Preference dialog box appears.*
- 10 Select the default settings for your printer, such as the default media format you use, on the appropriate tabs.
- 11 Click **Apply**.
- 12 Click **OK** twice.

# Uninstalling the Printer Driver

This section describes how to uninstall the printer driver if necessary.

- 1 Close all applications.
- 2 Choose the Uninstall Program as follows:
  - Windows Server 2008/Vista/XP/Server 2003  
From the **Start—All Programs** menu, choose the item that contains the printer utilities, and then click **Uninstall Printer Driver**.
  - Windows 2000  
From the **Start—Programs** menu, choose the item that contains the printer utilities, and then click **Uninstall Printer Driver**.
- 3 When the Uninstall dialog box appears, select the name of the driver to be deleted, and then click the **Uninstall** button.
- 4 Click **Uninstall**.
- 5 Click **OK**, and restart your computer.

# Displaying Printer Driver Settings

## Windows Server 2008/Vista

- 1 From the **Start** menu, click **Control Panel > Hardware and Sound > Printers** to open the Printers directory.
- 2 Right-click the icon for this printer, and then click **Printing Preferences**.

## Windows XP/Server 2003

- 1 From the **Start** menu, choose **Printers and Faxes** to display the **Printers and Faxes** directory.
- 2 Right-click the icon for this printer and choose **Printing Preferences**.

## Windows 2000

- 1 From the **Start** menu, point to **Settings > Printers** to display the **Printers** directory.
- 2 Right-click the icon for this printer and choose **Printing Preferences**.

# Using the Postscript® and PCL® Printer Drivers

## Favorite Setting Button

This button appears on each tab. It allows the current settings to be saved.

To save the current settings, specify the desired settings, and then click **Add**. Specify the settings described below, and then click **OK**.

- **Name:** Type in the name of the settings to be saved.
- **Icon:** Select an icon from the icon list to easily identify the settings. The selected icon appears in the drop-down list.
- **Sharing:** Specify whether or not the settings to be saved can be used by other users logged onto the computer.
- **Comment:** Add a simple comment.

Afterward, the saved settings can be selected from the drop-down list. To change a registered setting, click **Edit**.

In addition, predefined settings "2-up", "Photo" and "Grayscale" can be selected.

Select **Defaults** from the drop-down list to reset the functions in all tabs to their default values.

## Printer View

Click the button to display an image of the printer in the figure area.

When this button is clicked, it changes to the **Paper View** button (when a tab other than the **Quality** tab is selected) or the **Quality View** button (when the **Quality** tab is selected).

**Note** This button does not appear on the **Advanced** tab.

## Paper View

Click the button to display a sample of the page layout in the figure area.

When this button is clicked, it changes to the **Printer View** button.

**Note** This button does not appear on the **Quality** tab.

## Quality View

Click the button to display a sample of the settings selected in the **Quality** tab.

When this button is clicked, it changes to the **Printer View** button.

**Note** This button appears only when the **Quality** tab is selected.

## Default

Click the button to reset the settings to their defaults.

**Note** This button does not appear on the **Advanced** tab.

**Note** When this button is clicked, the settings in the displayed dialog box are reset to their defaults. The settings on other tabs are not changed.

## Advanced Tab (PostScript Printer Driver Only)

The Advanced Tab allows you to

- Select whether to enable or disable the settings for advanced printing functions (such as booklet printing)
- Specify the PostScript output method
- Specify whether or not the error messages of a print job are printed
- Print a mirror image
- Specify whether or not the application can directly output PostScript data

## Basic Tab

The Basic Tab allows you to

- Specify the orientation of the media
- Specify the size of the original document
- Select the output media size
- Zoom (expand/reduce) documents
- Specify the paper source
- Specify the type of media
- Specify the number of copies

## Layout Tab

The Layout Tab allows you to

- Print several pages of a document on the same page (N-up printing)
- Print a single copy for enlargement and print several pages (PCL printer driver only)
- Specify booklet printing (when the duplex option is installed)
- Rotate the print image 180 degrees
- Specify whether or not blank pages are printed (PCL printer driver only)
- Specify duplex (double-sided) printing (when the duplex option is installed)
- Adjust the binding margin
- Adjust the printing position (PCL printer driver only)

## Cover Page Tab

The Cover Page Tab allows you to

- Print front and back cover pages and separator pages
- Specify the paper tray that contains the paper for the front and back cover pages and separator pages

## Watermark/Overlay Tab

### Important!

**Be sure to use overlays with print jobs with a paper size and orientation that matches the overlay form.**

**In addition, if settings have been specified for "N-up" or "Booklet" in the printer driver, the overlay form cannot be adjusted to match the specified settings.**

The settings in the "Watermark" function of the Watermark/Overlay tab allows you to

- Select the watermark to be used
- Create, edit or delete watermarks
- Print a frame around watermarks
- Print transparent (shaded) watermarks
- Print the watermark on only the first page
- Print the watermark repeatedly throughout the all pages

The settings in the "Overlay" function of the Watermark/Overlay tab allows you to

- Select the form to use
- Add or delete overlay files
- Create a form (PCL printer driver only)
- Specify that the document and form are printed overlapping (PCL printer driver only)
- Display the form information (PCL printer driver only)
- Print the form on All Pages, First Page, Even Pages and Odd Pages
- Place the form in back of the document or in front on the printed document (PCL printer driver only)

## Quality Tab

The Quality Tab allows you to

- Switch between color and grayscale printing
- Specify the printer color settings (Quick Color)
- Specify the resolution for the printout
- Specify the amount of details in graphic patterns (PCL printer driver only)

- Specify the image compression method (PCL printer driver only)
- Select whether or not economy printing is used
- Specify the format of fonts that are to be downloaded
- Print using the printer's fonts

## Other Tab

The Other Tab allows you to

- Select that Microsoft Excel sheets are not to be divided when printing
- Select that the white background of Microsoft PowerPoint data does not hide overlay files (PCL printer driver only)
- Send a notification by e-mail when printing is finished
- Shows the version information for the printer driver

## Limitations on printer driver functions installed with Point and Print

If Point and Print is performed with the following server and client combinations, there are limitations on some printer driver functions.

- Server and client combinations  
Server: Windows Server 2008/Server 2003/XP/2000/Vista  
Client: Windows Server 2008/Server 2003/XP/2000/Vista
- Functions with limitations applied  
Booklet, Skip Blank Pages, Front Cover Page, Back Cover Page, Separator Page, Create Overlay, Print Overlay, Watermark



***Using the Status  
Monitor  
(Windows Only)***

**3**

# Working with the Status Monitor

## Introduction

The Status Monitor shows information about the current status of the printer.

To install the Status Monitor:

- 1 Insert the CD supplied with your printer in your CD-ROM drive.
- 2 Select your language, then click Next.
- 3 Click I Agree to accept the terms of the software license agreement.
- 4 Under Driver Setup, click Install Status Monitor.

*The OKI C130n Status Monitor InstallShield Wizard opens.*

- 5 Follow the on-screen instructions to complete the installation.

## Operating Environment

The Status Monitor can be used on computers running Windows

- Server 2008
- Vista
- XP
- Server 2003, or
- 2000

connected to the printer using the Ethernet connection.

## Opening the Status Monitor

Use one of the following steps to open the Status Monitor:

### ■ Windows Server 2008/Vista/XP/Server 2003

From the **Start—All Programs** menu, choose the item that contains the printer utilities, and then **Status Monitor**. Double-click the **Status Monitor** icon displayed in the taskbar.

### ■ Windows 2000

From the **Start—Programs** menu, choose the item that contains the printer utilities, and then **Status Monitor**. Double-click the Status Monitor icon displayed in the task bar.

## Using the Status Monitor

### Status Tab

- **Select Printer**—Selects the printer whose status is displayed. In addition, the messages that appear in the message window of the selected printer are displayed.
- **Graphic**—Normally, the logo is displayed. When a printer error is detected, a graphic representation of the printer is shown, and the location of the problem is indicated. When the background of the printer graphic is red or yellow, there is an error and the job has been interrupted.
- **Advanced Options**—Click **Advanced Options** to display the Advanced Options dialog box. From the Advanced Options dialog box, select whether the Status Monitor automatically starts when the operating system is started and whether error notifications are sent by e-mail.
- **Printer Alerts**—Displays text messages that alert you of conditions such as low toner.
- **Recovery Instructions**—Provides you with explanations of what you need to do in order to correct problems and recover from error conditions.

### **Consumables Tab**

Displays the usage status (approximate percentage remaining) of each toner consumables.

- **Refresh**—Rechecks the supplies and displays their status.

**Note** Click **Help** to display windows containing explanations of the Status Monitor functions. Refer to this help for detailed information.

**Note** The percentages remaining for the consumables displayed using the Status Monitor may be different from the actual amounts and should be used only as reference.

## **Recognizing Status Monitor Alerts**

When the Status Monitor detects a printing problem, the icon on the Windows task bar changes from green (normal) to yellow (warning), orange or red (error), depending on the severity of the printer problem.

## **Recovering from a Status Monitor Alert**

When the Status Monitor notifies you of a printing problem, double-click its icon on the Windows task bar to open the Status Monitor. The Status Monitor identifies what type of error has occurred.

# Closing the Status Monitor

Click **Close** to close the Status Monitor window. T

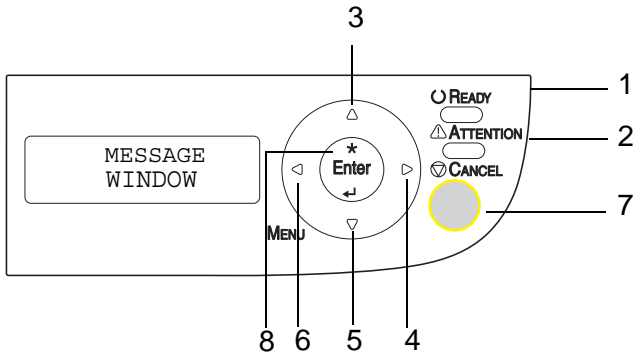
o exit Status Monitor, right-click the Status Monitor icon in the taskbar, and then click **Exit**.

***Printer Control  
Panel &  
Configuration  
Menu***



**4**







# About the Control Panel

The control panel allows you to direct the printer's operation. In addition, it displays the current status of the printer, including any condition that needs your attention.



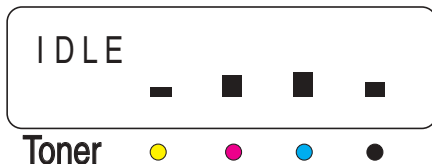
## Control Panel Indicators and Keys

No.	Indicator	Off	On
1	 Ready	The printer is not ready to accept data.	The printer is ready to accept data.
2	 ATTENTION	Normal.	The printer requires operator attention (usually accompanied by a status message in the message window.)

No.	Indicator	Function
3		<ul style="list-style-type: none"> <li>■ Moves up in the menu structure</li> <li>■ Within a menu choice that is changeable character by character, scrolls upward through the available characters</li> </ul>
4		<ul style="list-style-type: none"> <li>■ Moves right in the menu structure</li> <li>■ Moves right through the available menu choices</li> </ul>
5		<ul style="list-style-type: none"> <li>■ Moves down in the menu structure.</li> <li>■ Within a menu choice that is changeable character by character, scrolls downward through the available characters</li> </ul>
6		<ul style="list-style-type: none"> <li>■ Moves left in the menu structure</li> <li>■ Moves left through the available menu choices</li> </ul>
7	<p data-bbox="325 679 409 707"><b>Cancel</b></p> 	<ul style="list-style-type: none"> <li>■ Cancels the currently displayed menu choice</li> <li>■ Allows you to cancel one or all print jobs that are currently being printed or processed:</li> </ul> <ol style="list-style-type: none"> <li>1. Press the <b>Cancel</b> key.</li> <li>2. Press the ► or ◀ keys to select either CANCEL JOB/CURRENT or CANCEL JOB/ALL</li> <li>3. Press the <b>Menu Select</b> key. The print job(s) is (are) cancelled.</li> </ol>
8	<p data-bbox="320 970 415 1002"><b>ENTER</b></p> 	<ul style="list-style-type: none"> <li>■ Enters the menu system</li> <li>■ Moves down in the menu structure</li> <li>■ Selects the displayed menu choice</li> </ul>

## Toner Supply Indicators

The indicators show the amount of toner that remains in the yellow (Y), magenta (M), cyan (C), and black (K) toner cartridges.



## Configuration Menu Overview

### Configuration Menu Tree

#### ■ IDLE

##### > MAIN MENU

- PRINT MENU (see page 34)
- PAPER MENU (see )
- QUALITY MENU (see page 38)
- INTERFAACE MENU (see page 41)
- SYSTEM DEFAULT (page 46)
- SERVICE MENU (see page 50)

##### > LANGUAGE (see page 51)

#### **Note** If

MAIN MENU  
/SYSTEM DEFAULT  
/SECURITY  
/CONFIG  
/ENABLE

is set to **ON**, the user password or administrator password must be entered to display the main menu. The displayed menu is different according to the authority of the entered password. For details on the default passwords, refer to "SYSTEM DEFAULT" on page 46.

## PRINT MENU

With this menu, printer information, such as the configuration page and the demo page, can be printed.



## Print Menu Tree

- MENU MAP
- CONFIGURATION
- STATISTICS PAGE
- FONT LIST
  - > POSTSCRIPT
  - > PCL
- DIRECTORY LIST

## Print Menu

**Note** All factory default values are shown in **bold**.

MENU MAP	Settings	<b>YES/NO</b>	
	Prints the menu map.		
CONFIGURATION	Settings	<b>YES/NO</b>	
	Prints the configuration page.		
STATISTICS PAGE	Settings	<b>YES/NO</b>	
	Prints the statistics page such as the number of pages printed.		
FONT LIST	POSTSCRIPT	Settings	<b>YES/NO</b>
		Prints the PostScript font list.	
	PCL	Settings	<b>YES/NO</b>
		Prints the PCL font list.	
DIRECTORY LIST	Settings	<b>YES/NO</b>	
	Prints the directory list of the flash.		
DEMO	Settings	<b>YES/NO</b>	
	Prints the demo page.		

**Note** The amounts remaining for the supplies status and coverage information displayed using the statistics page may be different from the actual amounts and should be used only as reference.

## PAPER MENU

With this menu, the media used for printing can be managed.

### Paper Menu Tree

- INPUT TRAY
  - > TRAY 1 MODE
  - > TRAY 1
    - MEDIA SIZE
    - MEDIA TYPE
  - > TRAY 2
    - MEDIA SIZE
  - > CUSTOM SIZE
    - WIDTH
    - LENGTH
  - > AUTO CONTINUE
  - > TRAY CHAINING
  - > MAP
    - MODE
    - LOGICAL TRAY 0
    - LOGICAL TRAY 2
    - thru
    - LOGICAL TRAY 9
- DUPLEX
- ORIENTATION
- PAGE RECOVERY

**Note** \* This menu item appears only if the duplex option is installed.

\*\* These menu items appear only if an optional second tray is installed.

## Paper Menu

**Note** All factory default values are shown in **bold**.

INPUT TRAY	TRAY 1 MODE	Settings		<b>AUTO, CASSETTE</b>
		<p>When printing from Tray 1, select whether the paper size and paper type set from the printer driver or the MEDIA SIZE and MEDIA TYPE settings set by selecting MAIN MENU/PAPER MENU/INPUT TRAY/TRAY 1 in the control panel have priority.</p> <p>If AUTO is selected, the printer driver settings have priority during printing.</p> <p>If CASSETTE is selected, printing is performed when the printer driver settings and the control panel settings are all the same.</p>		
	TRAY1	MEDIA SIZE	Settings	<b>LETTER, LEGAL, EXECUTIVE, A4, A5, B5, B5(ISO), G LETTER, STATEMENT, FOLIO, UK QUARTO, FOOLSCAP, G LEGAL, C6, DL, J-POSTCARD, KAI 16, KAI 32, 16K, SP FOLIO, OFICIO, CUSTOM</b>
			The default setting for North America is LETTER. The default setting for all other regions is A4.	
	TRAY1	MEDIA TYPE	Settings	<b>PLAIN PAPER, LABELS, LETTERHEAD, POSTCARD, THICK1, THICK2</b>
Select the setting for the type of paper loaded into Tray 1.				
TRAY2	MEDIA SIZE	Settings	<b>LETTER/A4</b>	
		The default setting for North America is LETTER. The default setting for all other regions is A4.		

## Paper Menu

**Note** All factory default values are shown in **bold**.

INPUT TRAY (cont.)	CUSTOM SIZE	WIDTH (xx)	Settings	<p><b>92-216 mm (3.63-8.50 inch)*</b></p> <p>* With inch measurements, the decimal point does not appear in the message window.</p> <p>For example, 3.63 inches appears as 363.</p>
			<p>Specify the width of the custom-sized paper loaded into Tray 1.</p> <p>On the model for North America, the settings appear in inches and the menu item appears as WIDTH(IN). On the models for all other regions, the settings appear in millimeters and the menu item appears as WIDTH(MM).</p>	
		LENGTH (xx)	Settings	<p>With plain paper</p> <p><b>195-356 mm (7.69-14.01 inch)*</b></p> <p>With thick stock</p> <p><b>184-297 mm (7.24-11.70 inch)*</b></p> <p>* With inch measurements, the decimal point does not appear in the message window.</p> <p>For example, 7.69 inches appears as 769.</p>
			<p>Specify the length of the custom-sized paper loaded into Tray 1.</p> <p>On the model for North America, the settings appear in inches and the menu item appears as LENGTH(IN). On the models for all other regions, the settings appear in millimeters and the menu item appears as LENGTH(MM).</p>	

# Paper Menu

**Note** All factory default values are shown in **bold**.

INPUT TRAY (cont.)	AUTO CONTINUE	Settings	<b>ON/OFF</b>
		<p>If <b>OFF</b> is selected, an error occurs if the size of paper being printed on is different from the size of paper specified in the printer driver.</p> <p>If <b>ON</b> is selected, no error occurs if the size of paper being printed on is different from the size of paper specified in the printer driver.</p>	
	TRAY CHAINING	Settings	<b>YES/NO</b>
		<p>If <b>YES</b> is selected and the specified paper tray runs out of paper during printing, a paper tray loaded with paper of the same size is automatically selected so printing can continue.</p> <p>If <b>NO</b> is selected and the specified paper tray runs out of paper, printing stops.</p>	
MAP	MODE	Settings	<b>ON/OFF</b>
		Select whether or not the Tray Mapping function is used.	
	LOGICAL TRAY 0-9	Settings	<b>PHYSICAL TRAY 1/ PHYSICAL TRAY 2</b>
		<p>Specify whether jobs received from another manufacturer's printer driver are printed using Tray 1 or Tray 2.</p> <p><b>PHYSICAL TRAY 2</b> is the default only for <b>LOGICAL TRAY 2</b>. The default for all other logical trays is <b>PHYSICAL TRAY 1</b>.</p>	
DUPLEX	Settings	<b>OFF/SHORTEGE/LONGEDGE</b>	
	<p>If <b>LONGEDGE</b> is selected, the pages will be printed on both sides of the paper for long-edge binding.</p> <p>If <b>SHORTEGE</b> is selected, the pages will be printed on both sides of the paper for short-edge binding.</p>		
ORIENTAT ION	Settings	<b>PORTRAIT/LANDSCAPE</b>	
	Specify the orientation of the media.		
PAGE RECOVER Y	Settings	<b>ON/OFF</b>	
	<p>Select whether or not the page is printed again after recovering from a paper misfeed.</p> <p>If <b>ON</b> is selected, the page that was misfed is printed again.</p> <p>If <b>OFF</b> is selected, printing continues with the next page without printing the misfed page.</p>		

## QUALITY MENU

With this menu, settings for the print quality can be specified.

### Quality Menu Tree

- REPLACE TONER
  - > BLACK
  - > CYAN
  - > MAGENTA
  - > YELLOW
  - > REMOVE ALL
- TONER OUT ACTION
- AIDC
  - > REQUEST AIDC
  - > MODE
- P/H CLEANUP
- ECONOMY PRINT
- DUPLEX SPEED

## Quality Menu

**Note** All factory default values are shown in **bold**.

REPLACE TONER	BLACK	Settings	<b>YES/NO</b>
		<p>If YES is selected, the carousel rotates to the black toner cartridge, so that it can be replaced.</p> <p>For details on replacing the toner cartridge, refer to "Replacing a Toner Cartridge" on page 75.</p>	
	CYAN	Settings	<b>YES/NO</b>
		<p>If YES is selected, the carousel rotates to the cyan toner cartridge, so that it can be replaced.</p> <p>For details on replacing the toner cartridge, refer to "Replacing a Toner Cartridge" on page 75.</p>	
	MAGENTA	Settings	<b>YES/NO</b>
	<p>If YES is selected, the carousel rotates to the magenta toner cartridge, so that it can be replaced.</p> <p>For details on replacing the toner cartridge, refer to "Replacing a Toner Cartridge" on page 75.</p>		
	YELLOW	Settings	<b>YES/NO</b>
		<p>If YES is selected, the carousel rotates to the yellow toner cartridge, so that it can be replaced.</p> <p>For details on replacing the toner cartridge, refer to "Replacing a Toner Cartridge" on page 75.</p>	
	REMOVE ALL	Settings	<b>YES/NO</b>
		<p>If YES is selected, the printer enters REMOVE ALL mode. This mode is used when replacing all toner cartridges at the same time.</p> <p>For details on replacing all toner cartridges, refer to "Replacing All Toner Cartridges at the Same Time" on page 82.</p>	
TONER OUT ACTION	Settings	<b>STOP/CONTINUE</b>	
	<p>If STOP is selected, printing stops when the toner cartridge is empty.</p> <p>If CONTINUE is selected, printing continues even if the toner cartridge is empty.</p>		

## Quality Menu

**Note** All factory default values are shown in **bold**.

AIDC	REQUEST AIDC	Settings	<b>YES/NO</b>
		If YES is selected, image adjustments are performed.	
	MODE	Settings	<b>ON/OFF</b>
		If ON is selected, the image adjustments are applied. If OFF is selected, image adjustments are not applied.	
P/H CLEAN UP	Settings	<b>YES/NO</b>	
	If YES is selected, the printer enters P/H CLEAN UP mode. P/H CLEAN UP mode is a mode that allows the user to clean the print head window more easily. The print head window is not cleaned automatically. For details on cleaning the print head window, refer to "Cleaning the Print Head Window" on page 103.		
ECONOMY PRINT	Settings	<b>ON/OFF</b>	
	Select whether to print graphics with a reduced density by reducing the amount of toner that is used. If ON is selected, the amount of toner used is reduced when printing. If OFF is selected, the amount of toner used is not reduced when printing.		
DUPLEX SPEED	Settings	<b>AUTOMATIC, SPEED, QUALITY</b>	
	Select the print speed for double-sided printing. If AUTOMATIC is selected, the print speed is automatically selected. If SPEED is selected, the print speed has priority; however, the print quality may decrease. If QUALITY is selected, the print quality has priority; therefore, the print speed will decrease while the print quality may increase.		



## Interface Menu

With this menu, interface settings can be specified.

The printer must be rebooted after any setting in the ETHERNET menu (for example, the TCP/IP address) is changed.

Therefore, the following message appears when the configuration menu is exited (the **+** key is repeatedly pressed) after a setting has been changed. Select YES, and then press the **Enter** key to reboot the printer.



REBOOT  
\*YES

Otherwise, turn off the printer, and then turn the printer on again after a few seconds.

### Interface Menu Tree

#### ■ ETHERNET

##### > TCP/IP

- ENABLE
- IPV4
  - DHCP/BOOTP
  - IPV4 ADDRESS
  - DEFAU7LT ROUTER
  - SUBNET MASK
  - ENABLE AUTO IP
- PV6

##### > IP SERVICES

- ENABLE HTTP
- DISABLE FILTERS
- DISABLE IPSEC

##### > IPX/SPX

- FRAME TYPE

##### > ETHERNET SPEED

##### > DISABLE 802.1X

##### > PS PROROCOL

##### > USB

- ENABLE
- JOB TIMEOUT

**Note** If

MAIN MENU  
/SYSTEM DEFAULT  
/SECURITY  
/CONFIG  
/ENABLE

is set to ON, the administrator password must be entered to display this menu.

For details on the default administrator password, refer to “SYSTEM DEFAULT” on page 46.

## Interface Menu

**Note** All factory default values are shown in **bold**.

ETHERNET	TCP/IP	ENABLE	Settings	<b>YES/NO</b>	
			If YES is selected, TCP/IP is enabled. If NO is selected, TCP/IP is disabled.		
		IPV4	DHCP/ BOOTP	Settings	<b>YES/NO</b>
				Select whether or not the IP address is automatically acquired. If YES is selected, the IP address is automatically acquired. If NO is selected, the IP address is not automatically acquired.	
			IPV4 ADDRESS	Settings	<b>192.168.001.002</b>
				Set the IPv4 address for this printer on the network. Use the ▲, ▼, ◀, and ▶ keys to specify the value. If the IP address is manually specified, DHCP/BOOTP is automatically set to NO.	
		DEFAULT ROUTER	Settings	<b>000.000.000.000</b>	
			Specify the IPv4 address of the router if one is on the network. Use the ▲, ▼, ◀, and ▶ keys to specify the value.		
		SUBNET MASK	Settings	<b>000.000.000.000</b>	
			Specify the subnet mask for the network. Use the ▲, ▼, ◀, and ▶ keys to specify the value.		

## Interface Menu

**Note** All factory default values are shown in **bold**.

ETHERNET (cont.)		ENABLE AUTO IP	Settings	<b>YES/NO</b>
		Select whether or not the IPv4 address is automatically acquired when DHCP/BOOTP and PING, ARP are not functioning or when there is no response.		
		If YES is selected, the IP address is automatically acquired.		
		If NO is selected, the IP address is not automatically acquired.		
		IPV6	ENABLE	Settings
	If YES is selected, IPv6 is enabled.			
	If NO is selected, IPv6 is disabled.			
		IDENTIFIER	Displays the Link-Local address.	
		ENABLE AUTO	Settings	<b>YES/NO</b>
	If YES is selected, auto configuration of IPv6 is enabled.			
If NO is selected, auto configuration of IPv6 is disabled.				
	GLOBAL PREFIX	Displays the global address.		
IP SERVICES	ENABLE HTTP	Settings	<b>YES/NO</b>	
	If YES is selected, HTTP is enabled.			
	If NO is selected, HTTP is disabled.			
	DISABLE FILTERS	Settings	<b>YES/NO</b>	
	If YES is selected, filter is enabled.			
	If NO is selected, filter is disabled.			
	DISABLE IPSEC	Settings	<b>YES/NO</b>	
If YES is selected, IPsec is enabled.				
If NO is selected, IPsec is disabled.				

## Interface Menu

**Note** All factory default values are shown in **bold**.

ETHERNET (cont.)	IPX/SPX	FRAME TYPE	Settings	<b>AUTO</b> , 802.2, 802.3, ETHER II, SNAP
		Specify the protocol used with NetWare.		
	ETHERNET SPEED	Settings	<b>AUTO</b> , 100 FULL DUPLEX, 100 HALF DUPLEX, 10 FULL DUPLEX, 10 HALF DUPLEX	
		Specify the transmission speed for the network and the transmission method for bi-directional transmission.		
	DISABLE 802.1X	Settings	<b>YES, NO</b>	
If YES is selected, IEEE802.1x function is enabled. If NO is selected, IEEE802.1x function is disabled.				
PS PROTOCOL	Settings	<b>BINARY, QUOTED BINARY</b>		
	Select whether PostScript jobs are received in the binary format or the quoted format.			
USB	ENABLE	Settings	<b>YES, NO</b>	
		If YES is selected, USB is enabled. If NO is selected, USB is disabled.		
	JOB TIMEOUT	Settings	<b>0-60-999</b>	
Specify the length of time (in seconds) until the print job being received is timed out when USB is being used.				

## SYSTEM DEFAULT

With this menu, settings can be specified to adjust the operation of the printer, such as the time until the machine enters Energy Saver mode.

### System Default Menu Tree

- PRINT QUALITY
- COLOR MODE
- EMULATIONS
  - > DEFAULT
  - > AUTO DEFAULT
  - > POSTSCRIPT
    - ERROR PAGE
  - > PCL
    - LINE TERMINATION
    - FONT
      - PITCH SIZE
      - FONTNUMBER
      - POINT SIZE
      - SYMBOL SET
- STARTUP OPTIONS
  - > START PAGE
- DATE & TIME
- ENERGY SAVER
- SECURITY
  - > CONFIG
    - ENABLE
- FORMAT
  - > FLASH
    - SET USER PASSWD
- RESTORE/SAVE
  - > RESTORE FACTORY
  - > SAVE CUSTOM
  - > RESTORE CUSTOM

**Note** If

MAIN MENU  
/SYSTEM DEFAULT  
/SECURITY  
/CONFIG  
/ENABLE

is set to ON, the administrator password must be entered to display this menu.

## System Default Menu

**Note** All factory default values are shown in bold.

PRINT QUALITY	Settings	<b>HIGH</b> , STANDARD
	Select the image quality for prints.	
COLOR MODE	Settings	<b>COLOR</b> , GRAYSCALE
	Specify whether printing is in full color or grayscale.  <b>Note</b> The color mode setting specified from the printer driver has priority over the setting specified for this menu item.	

## System Default Menu

**Note** All factory default values are shown in bold.

EMULATIONS	DEFAULT	Settings	<b>AUTOMATIC</b> , POSTSCRIPT, PCL5, PCL XL, HEX DUMP			
		Specify the printer control language. If AUTOMATIC is selected, the printer automatically selects the printer control language from the data stream.				
	AUTO DEFAULT	Settings	<b>PCL5</b> , POSTSCRIPT			
		Select the printer description language when it cannot be identified from the data.				
	POSTSCRIPT	ERROR PAGE	Settings	<b>ON</b> , OFF		
			Select whether or not an error page is printed when a PostScript error occurs.			
	PCL	LINE TERMINATION	Settings	<b>CR=CR LF=CRLF</b> , CR=CR LF=LF, CR=CRLF LF=LF, CR=CRLF LF=CRLF		
			Select the definitions of the CR/LF codes in the PCL language.			
		FONT	PITCH SIZE	Settings	44- <b>1000</b> -9999	
				Specify the bitmap font size in the PCL language.		
FONT NUMBER		Settings	<b>0</b> -32767			
		Specify the font used with the PCL language. The font numbers that appear correspond to the PCL font list. For details on printing the font list, refer to "PRINT MENU" on page 32.				
POINT SIZE	Settings	400- <b>1200</b> -99975				
	Specify the outline font size in the PCL language.					
SYMBOL SET	Specify the symbol set used with the PCL language.					
	The default setting is PC8.					



## System Default Menu

**Note** All factory default values are shown in bold.

STARTUP OPTIONS	START PAGE	Settings	<b>YES, NO</b>
		<p>Select whether or not a startup page is printed when the printer is turned on.</p> <p>If YES is selected, the startup page is printed when the printer is turned on.</p> <p>If NO is selected, the startup page is not printed.</p>	
DATE & TIME	Settings	yyymmdd:hhmmss	
	<p>Set the date and time on the time-of-day (TOD) clock.</p> <p>The settings appear in the following order: year, month, day:hour, minutes, seconds.</p>		
ENERGY SAVER	Settings	15 MINUTES, <b>30 MINUTES</b> , 1 HOUR, 2 HOURS	
	<p>Specify the length of time until the machine enters Energy Saver mode.</p> <p><b>Note</b> 2 HOURS is displayed only on 120 V units.</p>		
SECURITY	CONFIG	ENABLE	Settings   <b>ON/OFF</b>
		<p>Select whether or not the menus are protected with a password.</p> <p>If ON is selected, all menus are protected with a password.</p>	
	SET USER PASSWD	<p>Settings: 1</p> <p>Specify the user password for displaying the user menus. The specified password is applied only if MAIN MENU/SYSTEM DEFAULT/SECURITY/CONFIG/ENABLE is set to ON.</p> <p>The password can contain a maximum of 16 characters.</p> <p><b>Note</b> Empty passwords are not allowed.</p>	

## System Default Menu

**Note** All factory default values are shown in bold.

SECURITY (cont.)		SET ADMIN PASSWD	Settings: the last four digits of the printer serial number
			Specify the administrator password for displaying the administrator menus. The specified password is applied only if MAIN MENU/SYSTEM DEFAULT/SECURITY/CONFIG/ENABLE is set to ON.  The password can contain a maximum of 16 characters.  <b>Note</b> Empty passwords are not allowed.
FORMAT	ERASE FLASH	Settings	YES, <b>NO</b>
			Select whether or not to initialize the flash RAM.  If YES is selected, the flash RAM is initialized.
RESTORE /SAVE	RESTORE FACTORY	Settings	YES, <b>NO</b>
			Select whether or not all menu items are reset to their initial settings.  If YES is selected, all menu items are reset to their initial settings.
	SAVE CUSTOM	Settings	YES, <b>NO</b>
			Select whether or not all changed menu settings are saved.  If YES is selected, all changes are saved.
	RESTORE CUSTOM	Settings	YES, <b>NO</b>
			Select whether or not menu items are reverted to the previously saved settings.  If YES is selected, the menu items revert to the previously saved settings.

## SERVICE MENU

With this menu, the service representative can adjust the printer and perform maintenance operations. This menu cannot be accessed by the user.

## LANGUAGE MENU

<p>ENGLISH, FRENCH, GERMAN, SPANISH, ITALIAN, PORTUGUESE, DUTCH, CZECH, JAPANESE, POLISH</p>	<p>The display language of the message window can be changed to the required language.</p> <p>The default setting is English.</p> <p>The language selections appear in the message window in the corresponding language. For example, GERMAN appears as DEUTSCH.</p>
----------------------------------------------------------------------------------------------------------	----------------------------------------------------------------------------------------------------------------------------------------------------------------------------------------------------------------------------------------------------------------------

# *Media Handling* **5**

# Print Media

## Specifications

Media	Media Size		Tray*	Duplex
	Inch	Millimeter		
Letter	8.5 x 11.0	215.9 x 279.4	1/2	Yes
Legal	8.5 x 14.0	215.9 x 355.6	1	No
Statement	5.5 x 8.5	140.0 x 216.0	1	No
Executive	7.25 x 10.5	184.0 x 267.0	1	No
A4	8.2 x 11.7	210.0 x 297.0	1/2	Yes
A5	5.9 x 8.3	148.0 x 210.0	1	No
B5 (JIS)	7.2 x 10.1	182.0 x 257.0	1	No
B5 (ISO)	6.9 x 9.8	176.0 x 250.0	1	No
Folio	8.3 x 13.0	210.0 x 330.0	1	No
SP Folio	8.5 x 12.69	215.9 x 322.3	1	No
Foolscap	8.0 x 13.0	203.2 x 330.2	1	No
UK Quarto	8.0 x 10.0	203.2 x 254.0	1	No
Government Letter	8.0 x 10.5	203.2 x 266.7	1	No
Government Legal	8.5 x 13.0	216.0 x 330.0	1	No
Japanese Postcard	3.9 x 5.8	100.0 x 148.0	1	No
16K	7.7 x 10.6	195.0 x 270.0	1	No
Kai 16	7.3 x 10.2	185.0 x 260.0	1	No
Kai 32	5.1 x 7.3	130.0 x 185.0	1	No
Oficio Mexico	8.5 x 13.5	215.9 x 342.9	1	No
Custom Size, Minimum**	3.6 x 7.7	92.0 x 195.0	1	No
Custom Size, Maximum**	8.5 x 14.0	216.0 x 356.0	1	No
<b>Notes:</b> * Tray 1 = Multipurpose Tray 2 = Plain paper only ** With thick stock The minimum size is 3.6 x 7.25 inch (92.0 x 184.0 mm). The maximum size is 8.5 x 11.7 inch (216.0 x 297.0 mm).				

**Note** For custom sizes, use the printer driver to specify the settings within the ranges shown in the above table.

# Media Types

Before purchasing a large quantity of special media, do a trial print with the same media and check the print quality.

Keep media on a flat, level surface in its original wrapper until it is time to load it.

## Plain Paper

<b>Capacity</b>	<b>Tray 1</b>	Up to 200 sheets, depending on the paper weight
	<b>Tray 2</b>	Up to 500 sheets, depending on the paper weight
<b>Orientation</b>	Face up	
<b>Driver Media Type</b>	Plain paper	
<b>Weight</b>	60 to 90 g/m <sup>2</sup> (16 to 24 lb bond)	
<b>Duplexing</b>	Only Letter/A4 plain paper can be autoduplexed.	

### Use plain paper that is

- Suitable for plain paper laser printers, such as standard or recycled office paper.

## Important!

**Do not use the media types listed below. These could cause poor print quality, media misfeeds, or damage to the printer.**

### DO NOT use media that is

- Coated with a processed surface (such as carbon paper, digitally gloss-coated media, and colored paper that has been treated)
- Carbon backed
- Unapproved iron-on transfer media (such as heat-sensitive paper, heat-pressure paper, and heat-press transfer paper)
- Cold-water-transfer paper
- Pressure sensitive
- Designed specifically for inkjet printers (such as superfine paper, glossy film, and postcards)
- Already been printed on by another printer, copier, or fax machine

- Dusty
- Wet (or damp)
  - Note** Keep media between 15% and 85% relative humidity. Toner does not adhere well to moist or wet paper.
- Layered
- Adhesive
- Folded, creased, curled, embossed, warped, or wrinkled
- Perforated, three-hole punched, or torn
- Too slick, too coarse, or too textured
- Different in texture (roughness) on the front and back
- Too thin or too thick
- Stuck together with static electricity
- Composed of foil or gilt; too luminous
- Heat sensitive or cannot withstand the fusing temperature (180°C [356°F])
- Irregularly shaped (not rectangular or not cut at right angles)
- Attached with glue, tape, paper clips, staples, ribbons, hooks, or buttons
- Acidic
- Any other media that is not approved

## Thick Stock

Paper thicker than 90 g/m<sup>2</sup> (24 lb bond) is referred to as thick stock. Test all thick stock to ensure acceptable performance and to ensure that the image does not shift.

<b>Capacity</b>	<b>Tray 1</b>	Up to 50 thick stock sheets, depending on their thickness
	<b>Tray 2</b>	Not supported
<b>Orientation</b>	Face up	
<b>Driver Media Type</b>	Thick 1 (91 to 163 g/m <sup>2</sup> )	
	Thick 2 (164 to 209 g/m <sup>2</sup> )	
<b>Weight</b>	91 to 209 g/m <sup>2</sup> (25 to 55.9 lb)	
<b>Duplexing</b>	Not supported	

### DO NOT use thick stock that is

- Mixed with any other media in Tray 1 (as this will cause printer misfeeding)

## Labels

### CAUTION

Labels may stick to the fuser, causing them to peel off and media misfeeds to occur.

A sheet of labels consists of a face sheet (the printing surface), adhesive, and a carrier sheet:

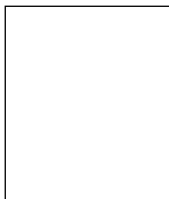
- The face sheet must follow the plain paper specification.
- The face sheet surface must cover the entire carrier sheet, and no adhesive should come through on the surface.

You can print continuously with label sheets. However, this could affect the media feed, depending on the media quality and printing environment. If problems occur, stop the continuous printing and print one sheet at a time.

Try printing your data on a sheet of plain paper first to check placement. Check your application documentation for more information on printing labels.

<b>Capacity</b>	<b>Tray 1</b>	Up to 50 label sheets, depending on their thickness
	<b>Tray 2</b>	Not supported
<b>Orientation</b>	Face up	
<b>Driver Media Type</b>	Labels	
<b>Duplexing</b>	Not supported	

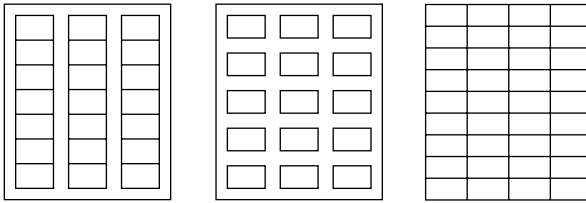
Use label sheets that are



- Recommended for laser printers



## DO NOT use label sheets that



- Have labels that easily peel off or have parts of the label already removed
- Have backing sheets that have peeled away or have exposed adhesive
- Are precut or perforated

## Letterhead Stationery

Try printing your data on a sheet of plain paper first to check placement.

<b>Capacity</b>	<b>Tray 1</b>	Up to 50 sheets, depending on their size and thickness
	<b>Tray 2</b>	Not supported
<b>Orientation</b>	Face up	
<b>Driver Media Type</b>	Letterhead	
<b>Duplexing</b>	Not supported	

## Postcards

Try printing your data on a sheet of plain paper first to check placement.

<b>Capacity</b>	<b>Tray 1</b>	Up to 50 postcards, depending on their thickness
	<b>Tray 2</b>	Not supported
<b>Orientation</b>	Face up	
<b>Driver Media Type</b>	Postcard	
<b>Duplexing</b>	Not supported	

### Use postcards that are

- Approved for laser printers

### DO NOT use postcards that are

- Coated
- Designed for inkjet printers
- Precut or perforated
- Preprinted or multicolored

**Note** If the postcard is warped, press on the warped area before putting it in Tray 1.

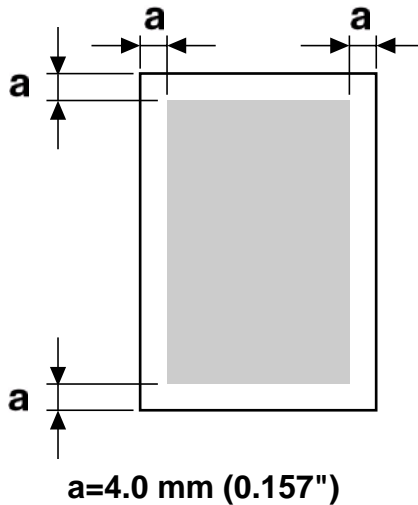


- Folded or wrinkled



# Printable Area

The printable area on all media sizes is up to 4.2 mm (0.165") from the edges of the media.



Each media size has a specific printable area (the maximum area on which the machine can print clearly and without distortion).

This area is subject to both hardware limits (the physical media size and the margins required by the machine) and software constraints (the amount of memory available for the full-page frame buffer). The printable area for all media sizes is the page size minus 4.2 mm (0.165") from all edges of the media.

**Note** When printing in color on legal-size media, the following limitations apply.

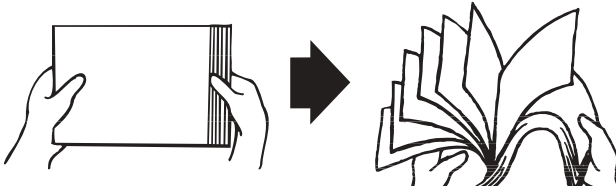
- The printable area is 339.6 (13.4") mm from the leading edge of the paper. (However, there is a non-printable area up to 4.2 mm (0.165") from the leading edge.)
- The bottom margin is 16.0 mm (0.63").

## Page Margins

Margins are set through your application. Some applications allow you to set custom page sizes and margins while others have only standard page sizes and margins from which to choose. If you choose a standard format, you may lose part of your image (due to printable area constraints). If you can custom-size your page in your application, use those sizes given for the printable area for optimum results.

# Loading Media

- 1 Open the ream of paper and take off the top and bottom sheets.
- 2 Holding a stack of approximately 200 sheets at a time, fan the stack to prevent static buildup before inserting it in a tray.



## Important!

Although this printer was designed for printing on a wide range of media types, it is not intended to print exclusively on a single media type except plain paper.

Continuous printing on media other than plain paper (such as labels, or thick stock) may adversely affect print quality or reduce engine life.

When refilling media, first remove any media remaining in the tray. Stack it with the new media, even the edges, then reload it.

## CAUTION

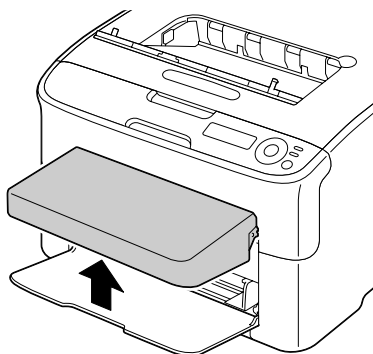
Do not mix media of different types and sizes, as this will cause media misfeeds.

## Tray 1 (Multipurpose Tray)

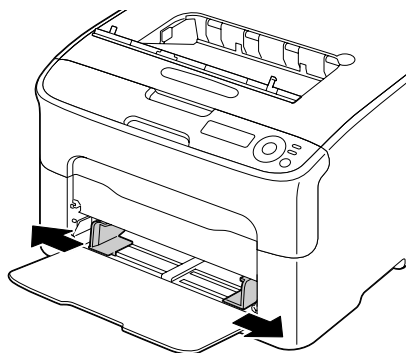
For details on the types and sizes of media that can be printed from Tray 1, refer to "Print Media" on page 53.

## Loading Plain Paper

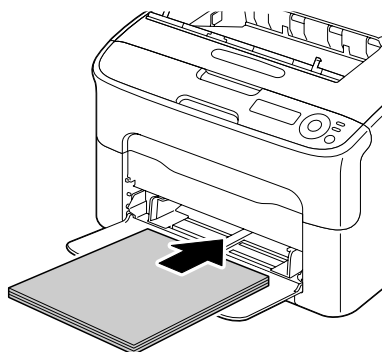
- 1 Remove the dust cover from Tray 1.



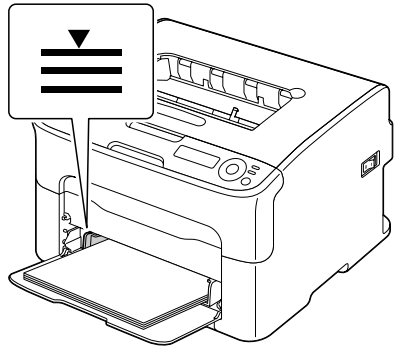
- 2 Slide the media guides to provide more space between them.



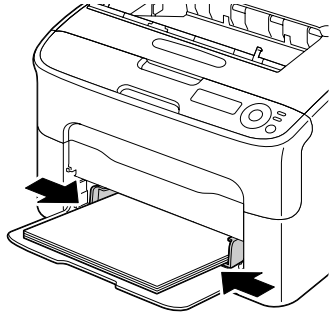
- 3 Load the paper face up in the tray.



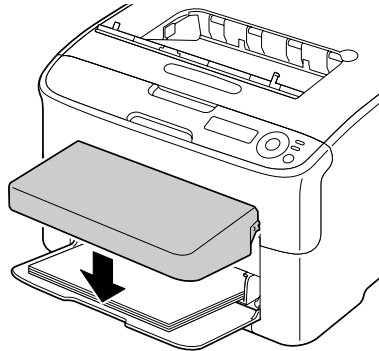
**Note** Do not load paper above the ▼ mark. Up to 200 sheets (80 g/m<sup>2</sup> [21 lb]) of plain paper can be loaded into the tray at one time.



4 Slide the media guides against the edges of the paper.



5 Reattach the dust cover.

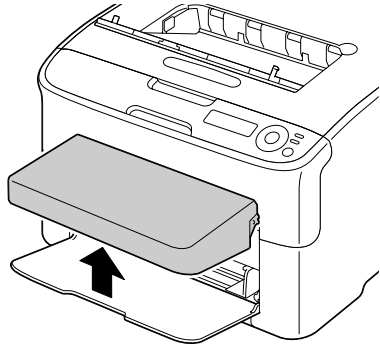


## Other Media

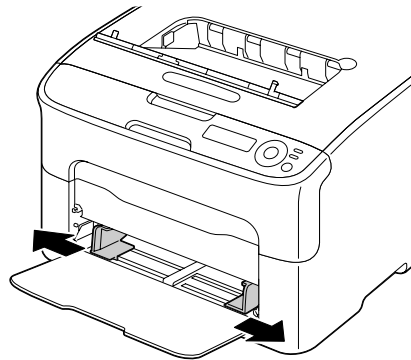
When loading media other than plain paper, set the media mode (for example, Label, or Thick Stock) in the driver for optimum print quality.

### Loading Labels/Postcard/Thick Stock and Letterhead

- 1 Remove the dust cover from Tray 1.
- 2 Remove any media from the tray.

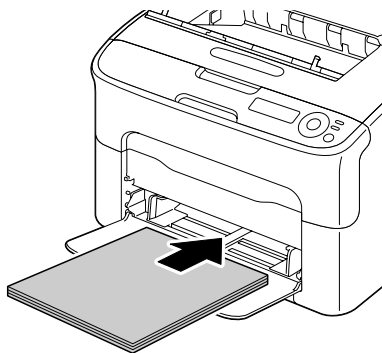


- 3 Slide the media guides to provide more space between them.

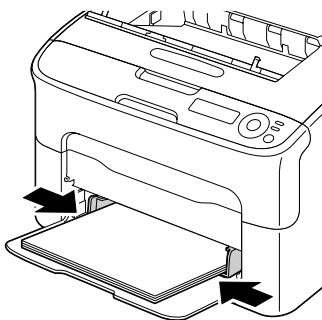


- 4 Load the media face up in the tray.

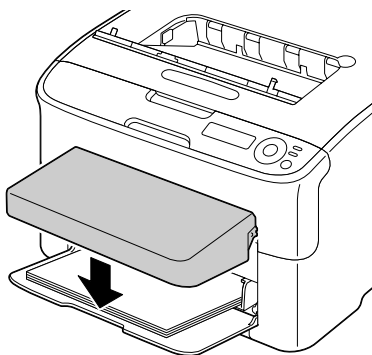
**Note** Up to 50 sheets can be loaded into the tray at one time.



- 5 Slide the media guides against the edges of the media.



- 6 Reattach the dust cover.



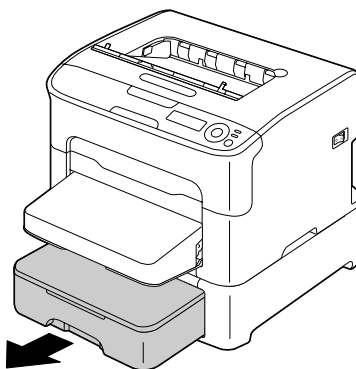


## Tray 2

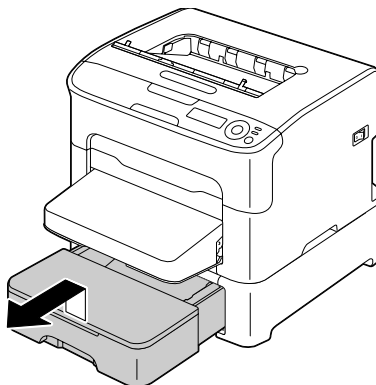
Only Letter or A4 plain paper can be loaded in Tray 2.

### Loading Plain Paper

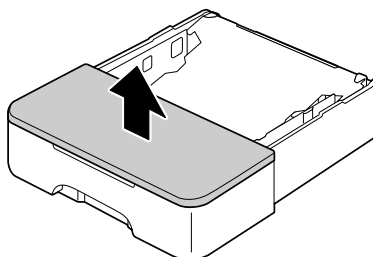
- 1 Pull out Tray 2 as far as possible.



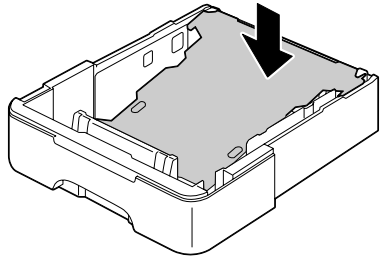
- 2 Lift up Tray 2 to remove it.



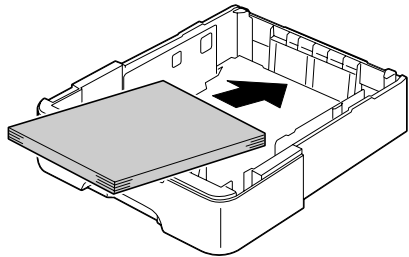
- 3 Remove the lid from Tray 2.



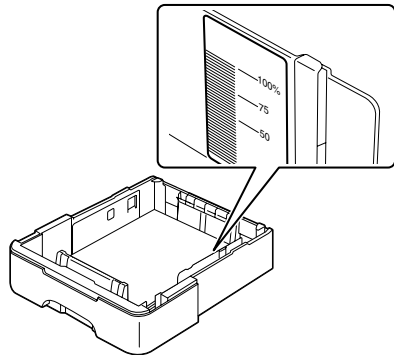
- 4 Press down the media pressure plate to lock it into place.



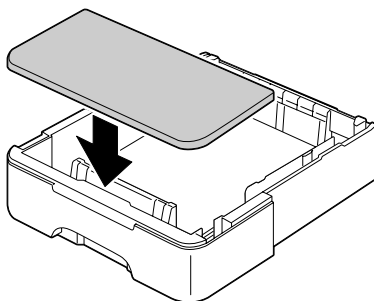
- 5 Load the paper face up in the tray.



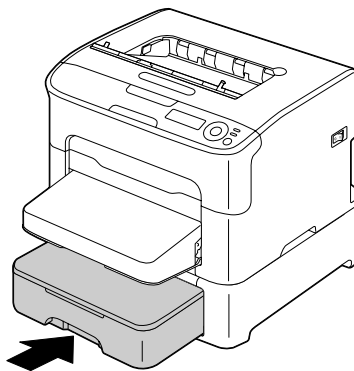
**Note** Do not load above the 100% line. Up to 500 sheets (80 g/m<sup>2</sup> [21 lb]) of plain paper can be loaded into the tray at one time.



6 Reattach the lid to Tray 2.



7 Reinsert Tray 2 into the printer.



# Duplexing

Select paper with high opacity for duplex (double sided) printing. Opacity refers to how effectively paper blocks out what is written on the opposite side of the page. If the paper has low opacity (high translucency), then the printed data from one side of the page will show through to the other side. Check your application for margin information. For best results, print a small quantity to make sure the opacity is acceptable.

Duplex (Double sided) printing can be done automatically with the duplex option installed and selected.

## Important!

**Only Letter/A4 plain paper, 60–90 g/m<sup>2</sup> (16–24 lb bond) can be autoduplexed. See “Print Media” on page 53.**

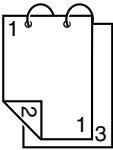
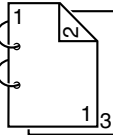
**Duplexing labels, postcards, thick stock, or letterhead is not supported.**

## Duplex Printing

You should verify that the duplex option is physically installed on the printer to successfully duplex the job.

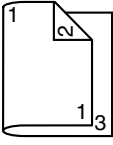
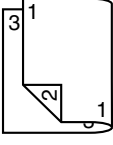
Check your application to determine how to set your margins for duplex printing.

The following Binding Position settings are available.

	If “Short Edge” is selected, the pages will be laid out to flip at the top.
	If “Long Edge” is selected, the pages will be laid out to flip at the sides.

In addition, if "N-up" has been set to "Booklet", autoduplex printing is performed.

The following Order settings are available when "Booklet" is selected.

 A diagram showing a sheet of paper being folded into a left-bound booklet. The top-left corner is labeled '1', the top-right corner is labeled '2', and the bottom-right corner is labeled '3'. The paper is shown in a 3D perspective, with the top edge being the binding edge.	If "Left Binding" is selected, the pages can be folded as a left-bound booklet.
 A diagram showing a sheet of paper being folded into a right-bound booklet. The top-left corner is labeled '3', the top-right corner is labeled '1', and the bottom-right corner is labeled '2'. The paper is shown in a 3D perspective, with the right edge being the binding edge.	If "Right Binding" is selected, the pages can be folded as a right-bound booklet.

- 1 Load plain paper into the tray.
- 2 From the printer driver, specify the layout for duplex printing.
- 3 Click **OK**.

**Note** With autoduplexing, the back side is printed first, and then the front side is printed.

# Output Tray

All printed media is output to the face-down output tray on top of the printer. This tray has a capacity of approximately 100 sheets (A4/Letter) of 80 g/m<sup>2</sup> (21 lb) paper.

**Note** If the media is stacked too high in the output tray, your printer may experience media misfeeds, excessive media curl, or static buildup.

# Media Storage

- Keep media on a flat, level surface in its original wrapper until it is time to load it.

*Media that has been stored for a long time out of its packaging may dry up too much and cause misfeeding.*

- If media has been removed from its wrapper, place it in its original packaging and store in a cool, dark place on a level surface.
- Avoid moisture, excessive humidity, direct sunlight, excessive heat (above 35°C [95°F]), and dust.
- Avoid media leaning against other objects or placing it in an upright position.

Before using stored media, do a trial print and check print quality.

# ***Replacing Consumables***

# **6**



# Toner Cartridges

## General Information

Your printer uses four toner cartridges: black, yellow, magenta, and cyan. Handle the toner cartridges carefully to avoid spilling toner inside the printer or on yourself.

**Note** Install only new toner cartridges in your printer. If a used toner cartridge is installed, then toner remaining amount may not be accurate.

**Note** The toner is nontoxic. If you get toner on your skin, wash it off with cool water and a mild soap. If you get toner on your clothes, lightly dust them off as best as you can. If some toner remains on your clothes, use cool, not hot water, to rinse the toner off.

### CAUTION

If you get toner in your eyes, wash it out immediately with cool water and consult a doctor.

### Important!

For the best results, use only genuine Oki toner cartridges.

## Storing and Handling Toner Cartridges

- Keep toner cartridges in their packaging until you're ready to install them.
- Store toner cartridges in a cool, dry location away from sunlight (due to heat).

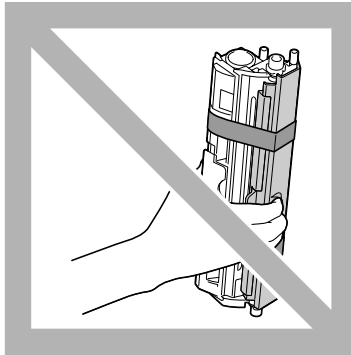
## Important!

The maximum storage temperature is 35° C (95° F) and the maximum storage humidity is 85% (noncondensing). If the toner cartridge is moved from a cold place to a warm, humid place, condensation may occur, degrading print quality. Allow the toner to adapt to the environment for about one hour before use.

- Always keep toner cartridges level when handling or storing them.

## Important!

Do not hold, stand or store cartridges on their ends or turn them upside down; the toner inside the cartridges may become caked or unequally distributed.



- Keep toner cartridges away from salty air and corrosive gases such as aerosols.

# Replacing a Toner Cartridge

## Important!

**Be careful not to spill toner while replacing a toner cartridge. If toner spills, immediately wipe it off with a soft, dry cloth.**

The message X TONER OUT/REPLACE XXXX (where “X” and “XXXX” represent the color of the toner) appears when a toner cartridge becomes empty. Follow the steps below to replace the toner cartridge.

**Note** If the item TONER OUT ACTION on the  
MAIN MENU  
/QUALITY MENU  
is set to CONTINUE, the message X TONER OUT appears.

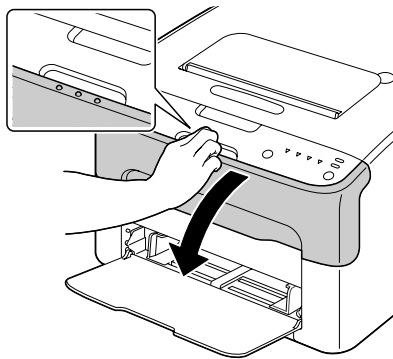
- 1 Check the message window to see which color toner is empty. Perform the operation described below to automatically rotate the

carousel to move the toner cartridge for the specified color, so that it can be replaced.

Press Key	Until Display Reads
ENTER ↵	MENU MAIN MANU
ENTER ↵	MAIN MENU PRINT MENU
▶ × 2	MAIN MENU QUALITY MENU
ENTER ↵	QUALITY MENU REPLACE TONER
ENTER ↵	REPLACE TONER BLACK
▶ Press until appropriate color (X) is displayed.	REPLACE TONER X
ENTER ↵	X *YES
ENTER ↵	*YES IS SELECTED  The display then changes to  OPEN DOOR AND REPLACE X TINER

## 2 Open the front cover.

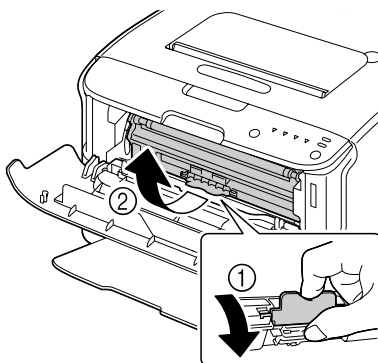
**Note** Before opening the front cover, open Tray 1 if it is not already open



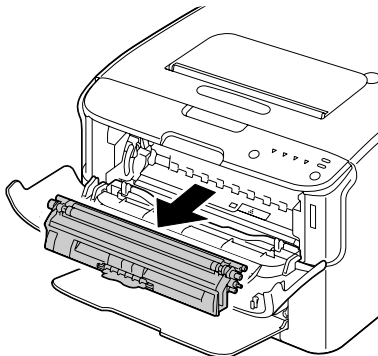
3 Check that the toner cartridge to be replaced has been moved to the front.

**Note** You can identify the toner cartridge by the color of the handle.

4 Pull down the handle on the toner cartridge until the toner cartridge is unlocked and moves out slightly toward you



5 Remove the toner cartridge

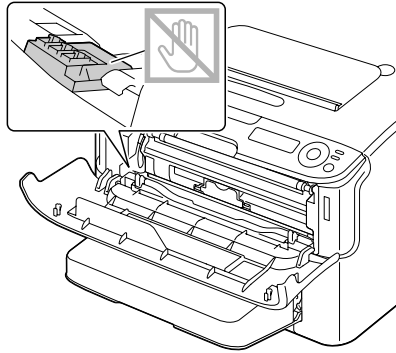


## CAUTION

Do not manually rotate the toner cartridge carousel. In addition, do not rotate the carousel with force, otherwise it may be damaged.

## Important!

Do not touch the contact indicated in the illustration.

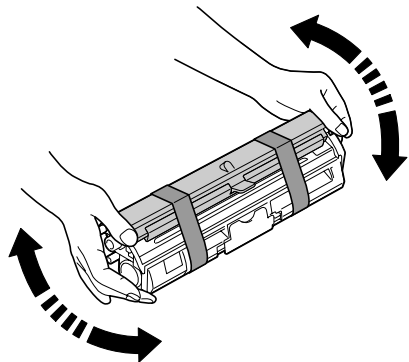


## CAUTION

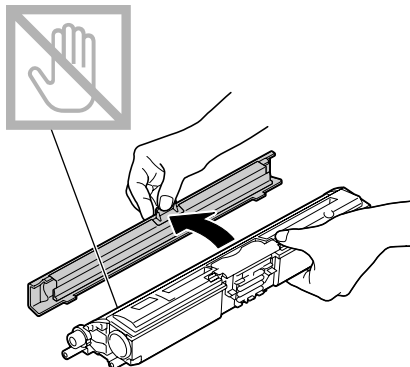
Dispose of the empty toner cartridge according to your local regulations. Do not burn the toner cartridge.

- 6 Unpack the new toner cartridge.
- 7 Shake the cartridge horizontally a few times to distribute the toner.

**Note** Make sure that the toner roller cover is securely attached before shaking the toner cartridge.



- 8 Remove the cover from the toner roller.

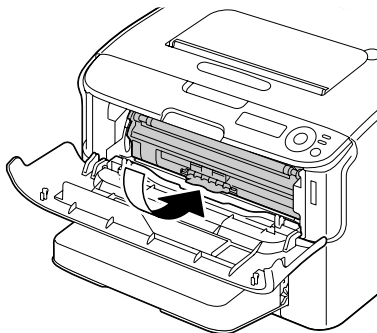
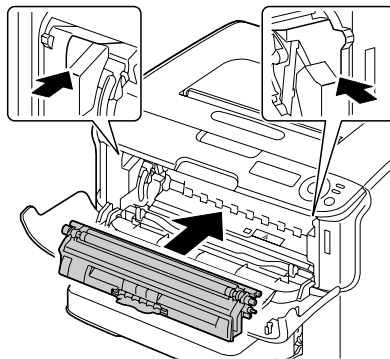


## CAUTION

Do not touch or scratch the toner roller!

- 9 Align the shaft on each end of the toner cartridge with its holders, and then insert the cartridge.

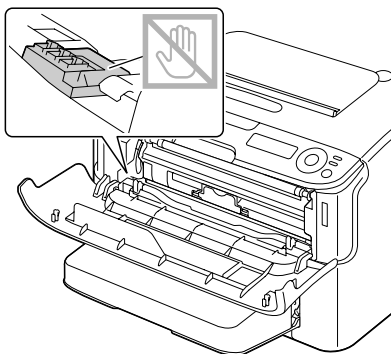
**Note** Before inserting the toner cartridge, make sure that the color of the toner cartridge to be installed is the same as the label on the toner cartridge carousel.



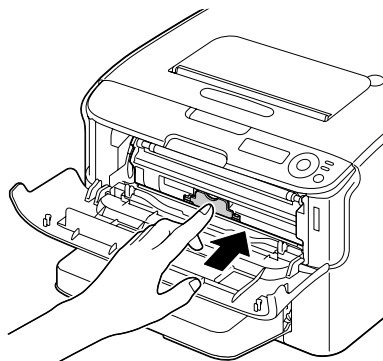


## Important!

Do not touch the contact indicated in the illustration.

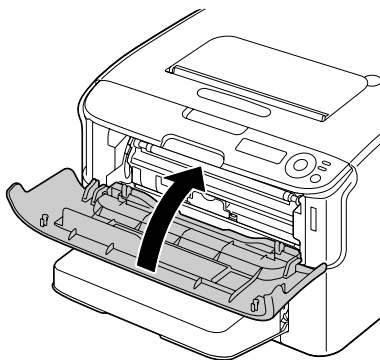


- 10 Press in the toner cartridge until it locks into place.



- 11 Close the front cover.

**Note** The printer must complete a calibration cycle (less than 2 minutes) after the toner cartridge has been replaced. If you open the top or front cover before the message IDLE appears, the printer stops and repeats the calibration cycle.



# Replacing All Toner Cartridges at the Same Time

## CAUTION

Be careful not to spill toner while replacing a toner cartridge. If toner spills, immediately wipe it off with a soft, dry cloth.

By using the REMOVE ALL mode, all toner cartridges can be replaced at the same time.

- 1 Perform the operation described below to switch the printer to the REMOVE ALL mode.

Press Key	Until Display Reads
ENTER ↵	MANU MAIN MANU
ENTER ↵	MAIN MENU PRINT MENU
▶ × 2	MAIN MENU QUALITY MENU
	QUALITY MENU REPLACE TONER
ENTER ↵	REPLACE TONER BLACK
◀	REPLACE TONER REMOVE ALL
ENTER ↵	REMOVE ALL *NO
▶	REMOVE ALL YES
ENTER ↵	*YES IS SELECTED  Then the display changes to OPEN DOOR AND REMOVE M TONER

**Note** It is not possible to exit REMOVE ALL mode before the operation is finished (even if the Cancel key is pressed).

If the printer has incorrectly been switched to REMOVE ALL mode, open, then close the front cover four times to exit REMOVE ALL mode.

2 Perform the operations described in steps 2 through 10 of “Replacing a Toner Cartridge” starting on page 6-77 to replace the magenta toner cartridge.

3 Follow the same procedure to replace the cartridges for the cyan, black, then yellow toners.

**Note** The printer must complete a calibration cycle (less than 2 minutes) after a toner cartridge has been replaced. If you open the top or front cover before the printer is reset, the calibration stops, then starts over again after the cover is closed.

4 Press the ▲ key three times to exit the configuration menu.

# Imaging Cartridges

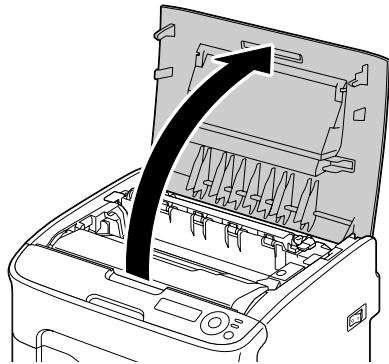
## Replacing the Imaging Cartridge

### Important!

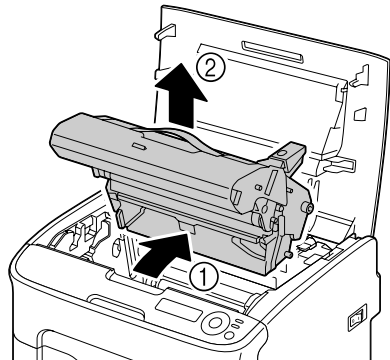
When replacing an imaging cartridge, use only a genuine Oki imaging cartridge for your specific printer type.

- 1 Open the top cover.

**Note** If there is paper in the output tray, remove it, and then fold up the output tray before opening the top cover.



- 2 Grab the handle and lift it up slightly to the back, and then slowly pull the imaging cartridge out vertically.



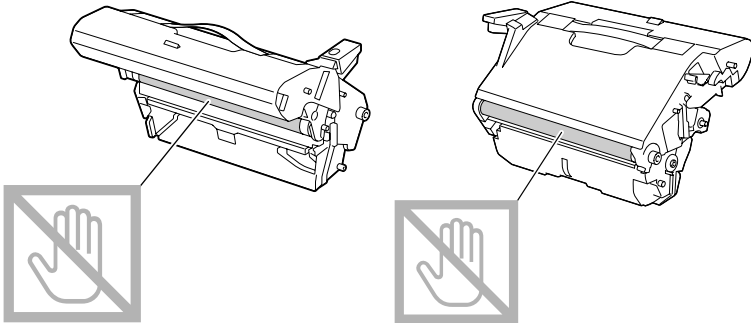
## CAUTION

Dispose of the used imaging cartridge according to your local regulations. Do not burn the imaging cartridge.

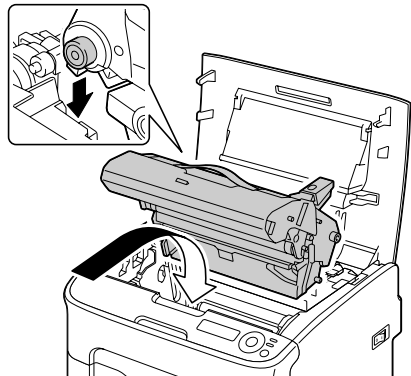
- 3 Prepare the new imaging cartridge.

## Important!

Do not touch the PC drum and the transfer belt on the imaging cartridge.

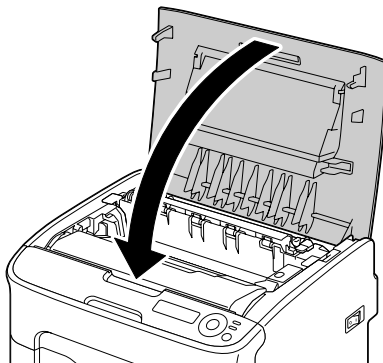


- 4 Slowly insert the new imaging cartridge vertically, and then push it slightly down toward you to finish installing the imaging cartridge.



5 Carefully close the top cover.

**Note** The printer must complete a calibration cycle (less than 2 minutes) after the imaging cartridge has been replaced. If you open the top cover before the message IDLE appears, the printer stops and repeats the calibration cycle.



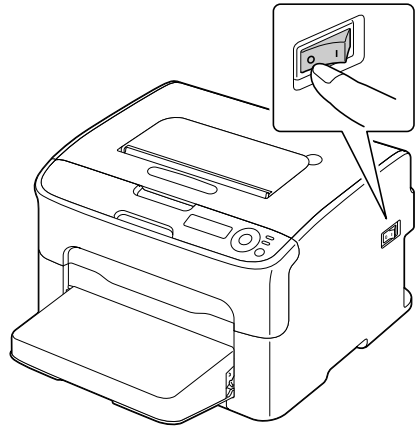
# The Fuser Unit

## Replacing the Fuser Unit

### Important!

For optimum print quality and performance, use only a genuine Oki fuser unit for your specific printer type.

- 1 Turn off the printer and disconnect the power cord.

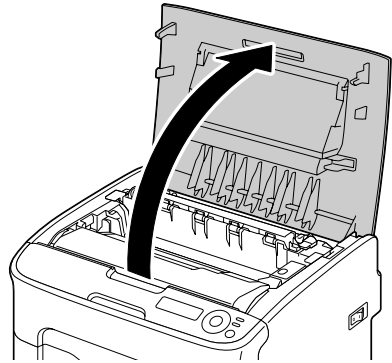


### WARNING!

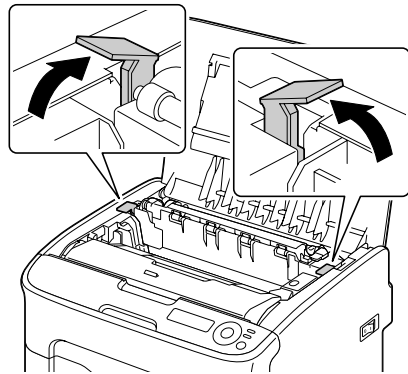
*There are extremely hot parts within the printer. Before replacing the fuser unit, wait about 20 minutes after turning off the printer, and then check that the fusing section has reached room temperature, otherwise, you may get burnt.*

- 2 Open the top cover.

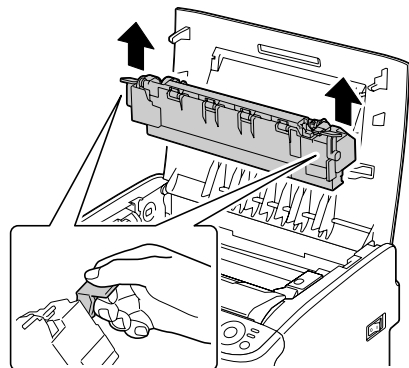
**Note** If there is paper in the output tray, remove it, and then fold up the output tray before opening the top cover.



- 3 Push the blue handles back as far as possible.



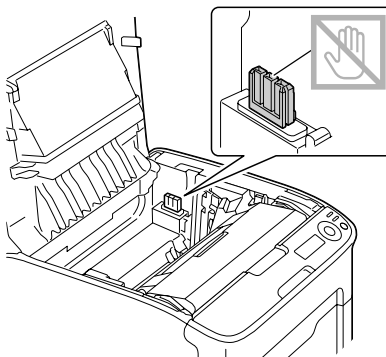
- 4 Grab the blue handles and lift the fuser unit to remove it.



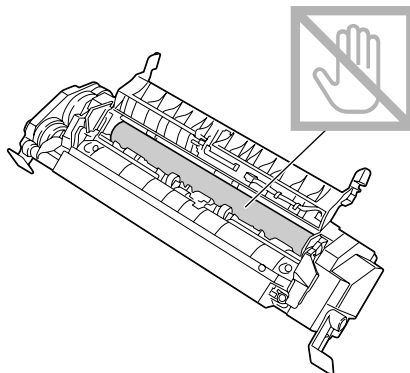


## Important!

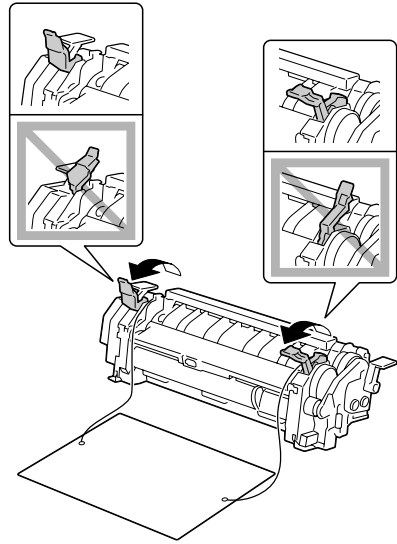
Do not touch the matching connectors of the fuser unit and the machine.



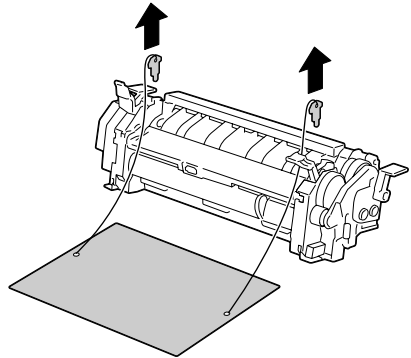
5 Prepare a new fuser unit.



- a** Pull the fuser separator levers forward as far as possible.

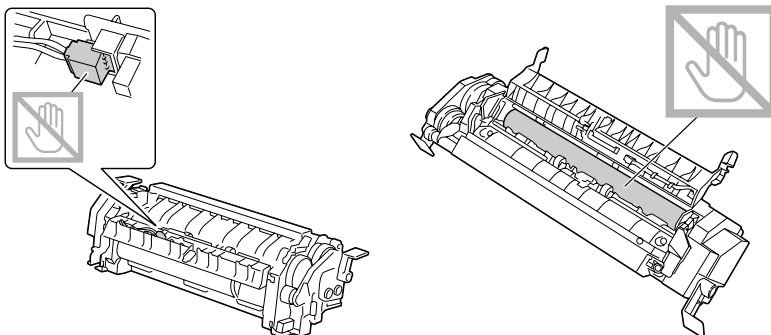


- b** Remove the fuser separator material, and then return the fuser separator levers to their original positions.

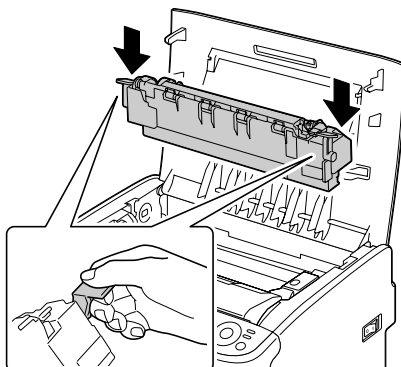


## Important!

Be careful not to touch the paper exit sensor and the surface of the fuser roller in the fuser unit.

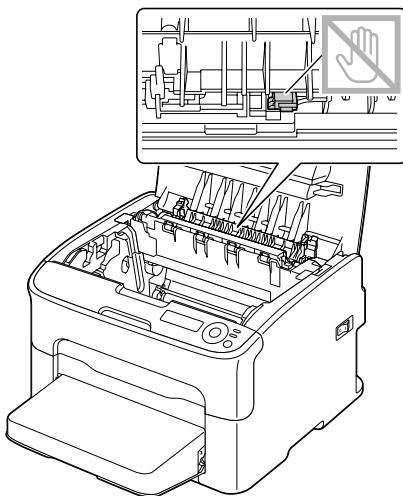


- 1 While lifting the fuser unit with the blue handles (one on each side), vertically insert the fuser unit.



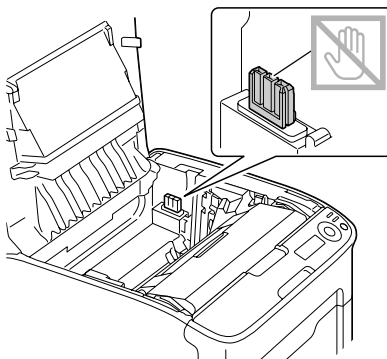
## Important!

Do not touch the paper exit sensor on the fuser unit.

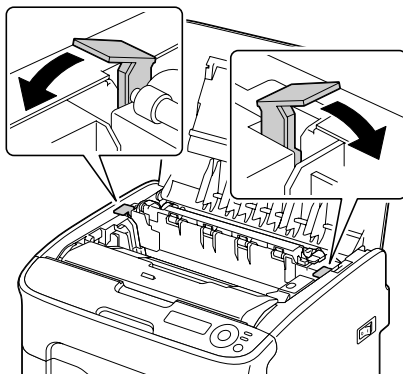


## Important!

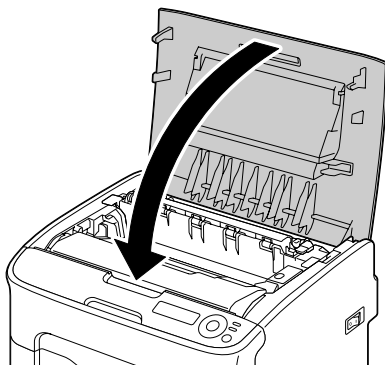
Do not touch the matching connectors of the fuser unit and the machine.



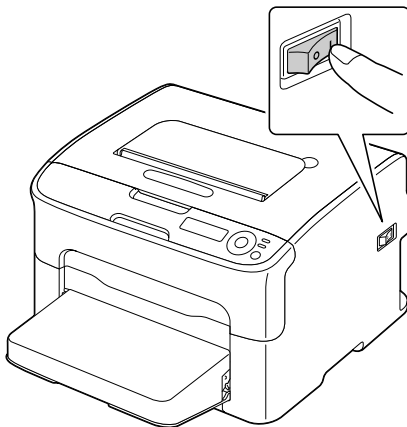
- 2 After the fuser unit is firmly installed, flip the blue handles down toward you.



- 3 Carefully close the top cover.



- 4 Reconnect the power cord, and turn on the printer.



# *Maintaining the Printer*

# 7

# Maintaining the Printer

## CAUTION

Read all caution and warning labels carefully, making sure to follow any instructions contained in them. These labels are located on the inside of the printer's covers and the interior of the printer body.

Handle the printer with care to preserve its life. If dust and paper scraps remain on the inside or outside of the printer, printer performance and print quality will suffer, so the printer should be cleaned periodically. Keep the following guidelines in mind.

## WARNING!

*Turn off the printer, unplug the power cord, and disconnect all interface cables before cleaning. Do not spill water or detergent into the printer; otherwise the printer will be damaged and an electric shock may occur.*

## CAUTION

The fuser unit is hot. When the top cover is opened, the fuser unit temperature drops gradually (one hour wait time).

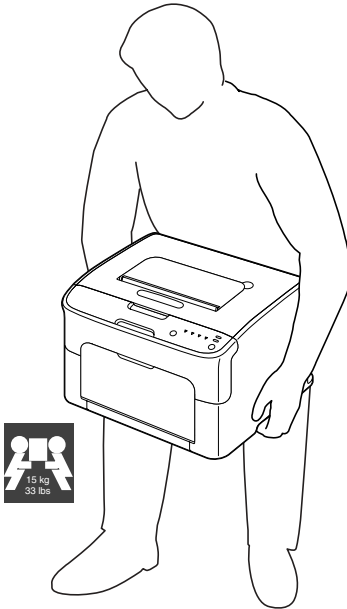


- Be careful when cleaning the inside of the printer or removing media misfeeds, as the fuser unit and other internal parts may be very hot.
- Do not place anything on top of the printer.
- Use a soft cloth to clean the printer.
- Never spray cleaning solutions directly on the printer's surface; the spray could penetrate through the air vents of the printer and damage the internal circuits.
- Avoid using abrasive or corrosive solutions or solutions that contain solvents (such as alcohol and benzene) to clean the printer.

- Always test any cleaning solution (such as mild detergent) on a small inconspicuous area of your printer to check the solution's performance.
- Never use sharp or rough implements, such as wire or plastic cleaning pads.
- Always close the printer's covers gently. Never subject the printer to vibration.
- Do not cover the printer immediately after using it. Turn it off and wait until it cools down.
- Do not leave the printer's covers open for any length of time, especially in well-lit places; light may damage the imaging cartridge.
- Do not open the printer during printing.
- Do not tap media stacks on the printer.
- Do not lubricate or disassemble the printer.
- Do not tilt the printer.
- Do not touch the electrical contacts, gears, or laser devices. Doing so may damage the printer and cause the print quality to deteriorate.
- Keep media in the output tray at a minimum level. If the media is stocked too high, your printer may experience media misfeeds and excessive media curl.
- Keep the printer level to avoid toner spillage.



- When lifting the printer, grasp the areas shown in the figure.



- Before moving the printer, remove the dust cover, and fold up Tray 1.
- If the optional lower feeder unit, attachment and duplex option are installed, remove them and move them separately.
- If you get toner on your skin, wash it off with cool water and a mild soap.

## **CAUTION**

**If you get toner in your eyes, wash it out immediately with cool water and consult a doctor.**

- Make sure any parts removed during cleaning are replaced before you plug in the printer.

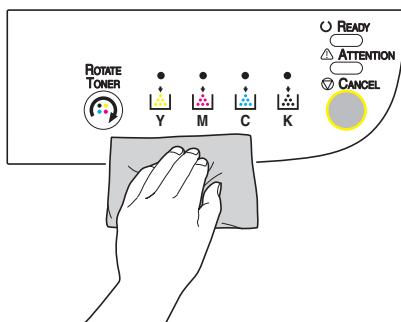
# Cleaning the Printer

## CAUTION

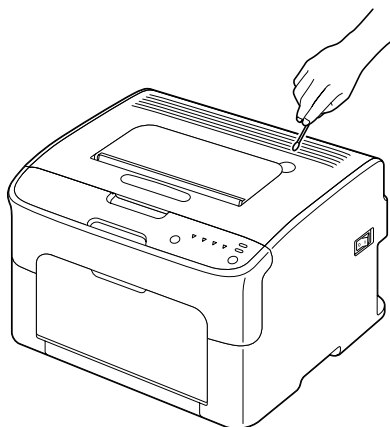
Be sure to turn off the printer and unplug the power cord before cleaning. However, be sure to turn on the printer when cleaning the print head window.

## Cleaning the Exterior

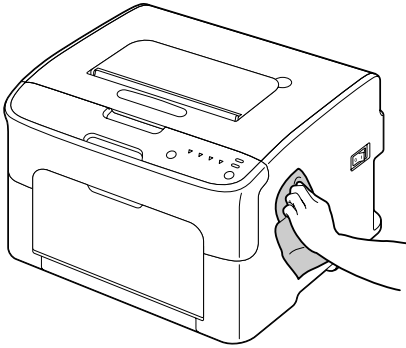
### Control Panel



### Ventilation Grill



## Exterior Housing

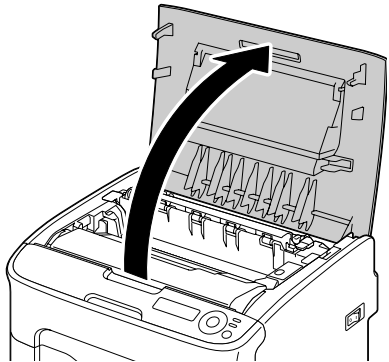


## Cleaning the Interior

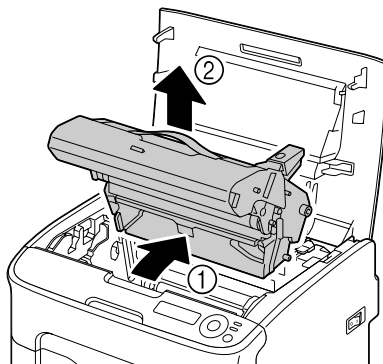
### Cleaning the Media Feed Roller

- 1 Open the top cover.

**Note** If there is paper in the output tray, remove it, and then fold up the output tray before opening the top cover.

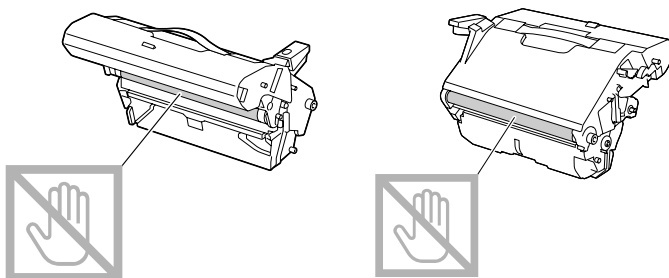


- 2 Grab the handle and lift it up slightly to the back, and then slowly pull the imaging cartridge out vertically.

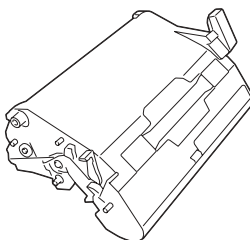


## Important!

Do not touch the PC drum and the transfer belt on the imaging cartridge.



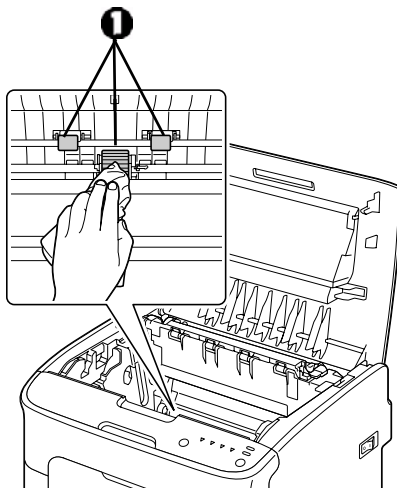
Position the removed imaging cartridge horizontally as shown in the illustration.



Be sure to keep the imaging cartridge horizontal and place it where it will not become dirty.

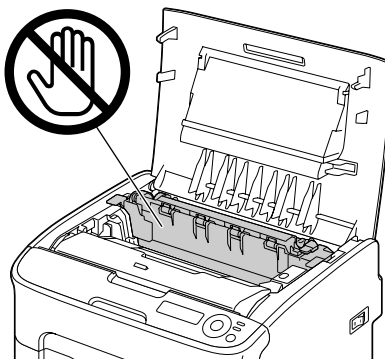
Do not leave the imaging cartridge removed for more than 15 minutes, and do not place the removed imaging cartridge in a location where it would be exposed to direct light (such as sunlight).

- 3 Clean the media feed rollers (1, bottom view) by wiping them with a soft, dry cloth.



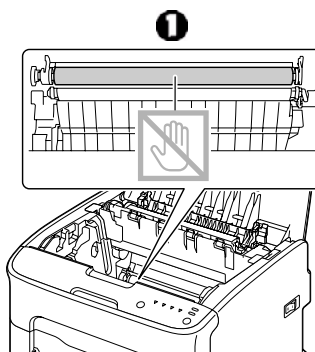
## WARNING!

*The area around the fuser unit is extremely hot. Touching anything other than the indicated levers may result in burns. If you get burned, immediately cool the skin under cold water, and then seek professional medical attention.*

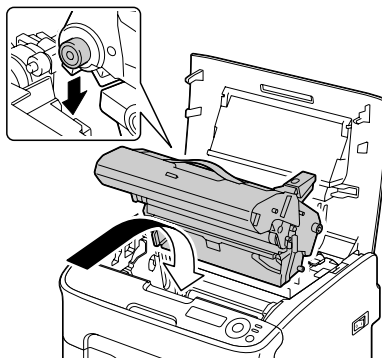


## Important!

Decreased print quality may result if the surface of the transfer roller is touched. Be careful not to touch the surface of the transfer roller (1, bottom view).

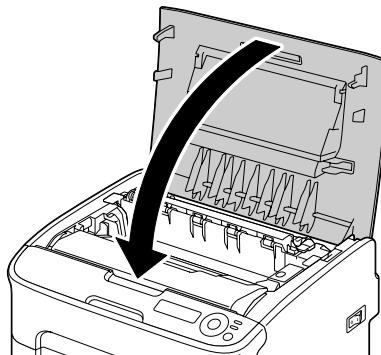


- 4 Slowly insert the imaging cartridge vertically, and then push it slightly down toward you to finish reinstalling the imaging cartridge.



- 5 Carefully close the top cover.

### Cleaning the Print Head Window



- 1 Perform the operation described below to switch the printer to the P/H CLEAN UP mode.

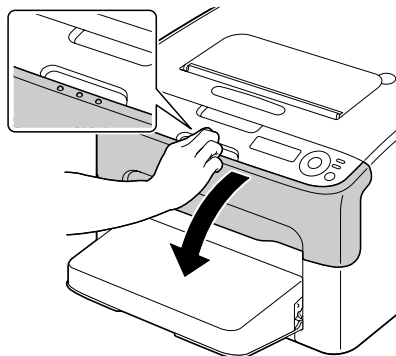
Press Key	Until Display Reads
ENTER ↵	MENU MAIN MANU
ENTER ↵	MAIN MENU PRINT MENU
▶ × 2	MAIN MENU QUALITY MENU
ENTER ↵	QUALITY MENU REPLACE TONER
▶ × 3	QUALITY MENU P/H CLEAN UP
ENTER ↵	P/H CLEAN UP *YES
ENTER ↵	*YES IS SELECTED  Then it changes to  OPEN DOOR REMOVE TONER

**Note** To exit P/H CLEAN UP mode, press the Cancel key.

- 2 Open the front cover.

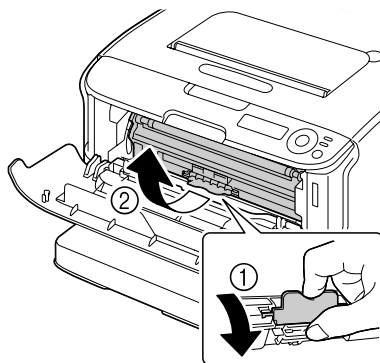
**Note** Before opening the front cover, open Tray 1 if it is not already open.

*The magenta toner cartridge has been moved to the position from where it can be replaced.*



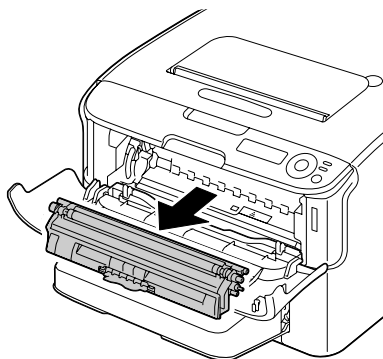


- 3** Pull down the handle on the toner cartridge until the toner cartridge is unlocked and moves out slightly toward you.



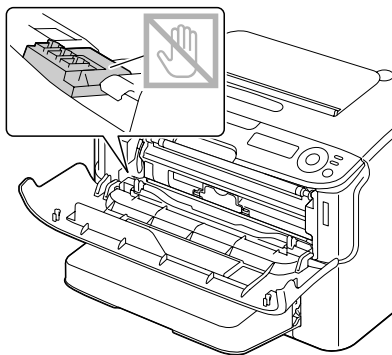
- 4** Remove the toner cartridge.

**Note** When the magenta toner cartridge is removed, a gap is created within the printer so that the print head window can easily be cleaned.



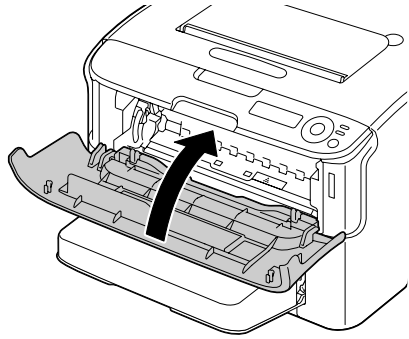
## Important!

**Do not touch the contact indicated in the illustration.**

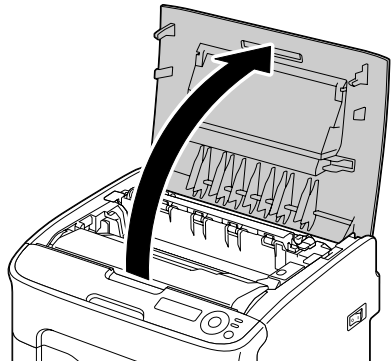


5 Close the front cover.

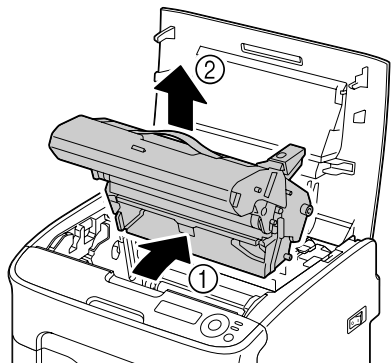
**Note** The toner cartridge rotate within the printer.



6 After the toner cartridges have finished rotating, open the top cover.

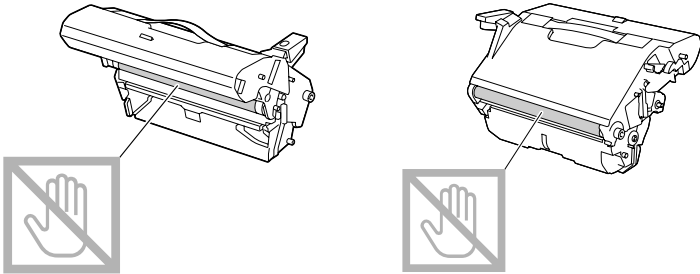


7 Grab the handle and lift it up slightly to the back, and then slowly pull the imaging cartridge out vertically.

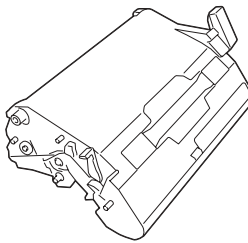


## Important!

Do not touch the PC drum and the transfer belt on the imaging cartridge.



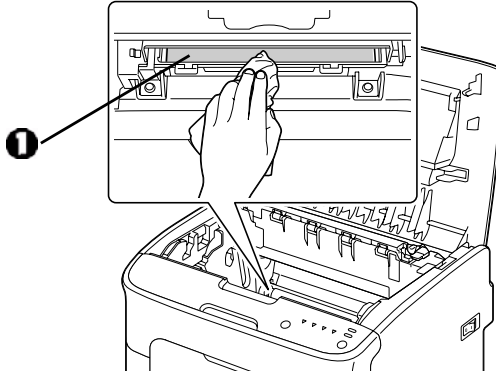
Position the removed imaging cartridge horizontally as shown in the illustration.



Be sure to keep the imaging cartridge horizontal and place it where it will not become dirty.

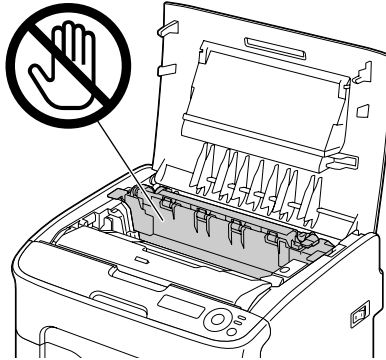
Do not leave the imaging cartridge removed for more than 15 minutes, and do not place the removed imaging cartridge in a location where it would be exposed to direct light (such as sunlight).

- 8 Clean the print head window (1, bottom view) by wiping it with a soft, dry cloth.



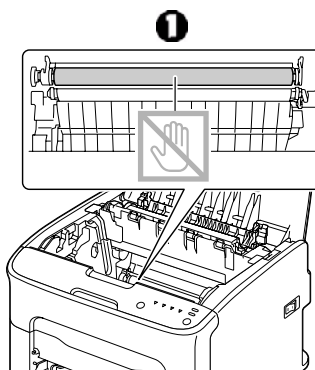
## CAUTION

The area around the fuser unit is extremely hot. Touching anything other than the indicated levers may result in burns. If you get burned, immediately cool the skin under cold water, and then seek professional medical attention.

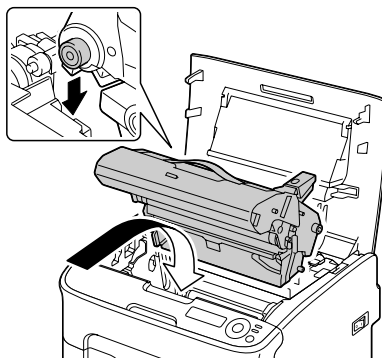


## Important!

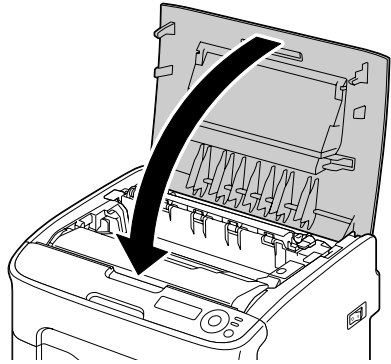
Decreased print quality may result if the surface of the transfer roller is touched. Be careful not to touch the surface of the transfer roller (1, bottom view).



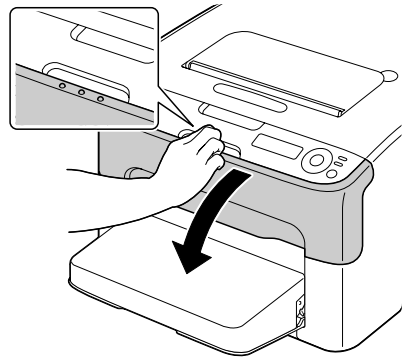
- 9 Slowly insert the imaging cartridge vertically, and then push it slightly down toward you to finish reinstalling the imaging cartridge.



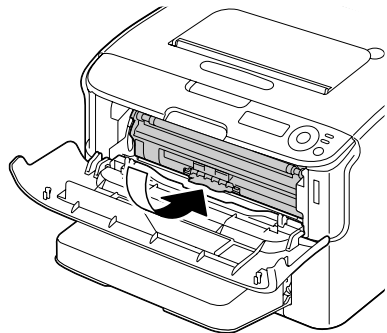
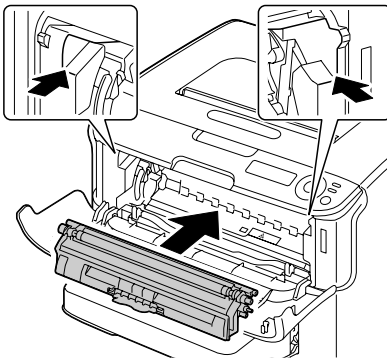
**10** Close the top cover.



**11** After the toner cartridges have finished rotating, open the front cover.

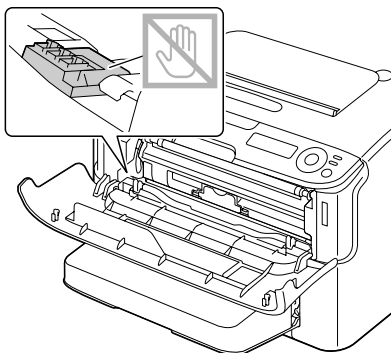


**12** Align the shaft on each end of the toner cartridge with its holders, and then insert the cartridge.

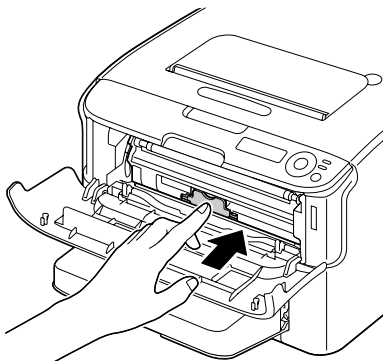


## Important!

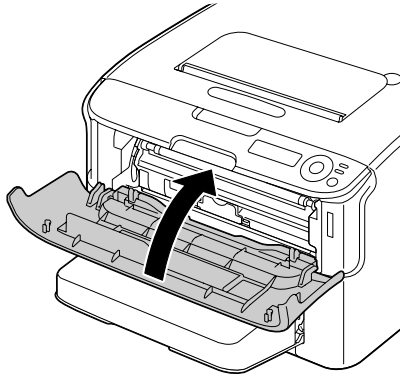
Do not touch the contact indicated in the illustration.



**13** Press in the magenta toner cartridge until it locks into place.



- 14 Close the front cover.

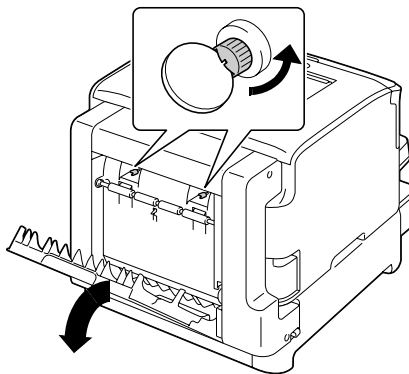


## Cleaning the Media Feed Rollers for Optional Tray 2

### Important!

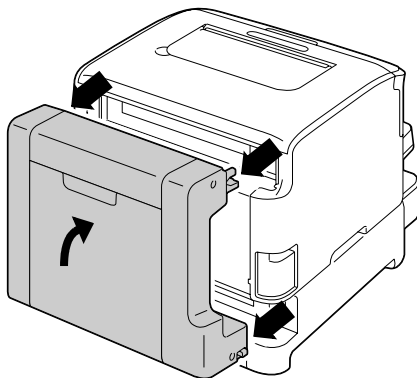
Be sure to remove the duplex option before cleaning the media feed rollers for Tray 2.

- 1 If the duplex option is installed, remove it.
  - a Open the outer cover of the duplex unit, then hold the duplexer against the printer and remove the screws holding it to the printer.

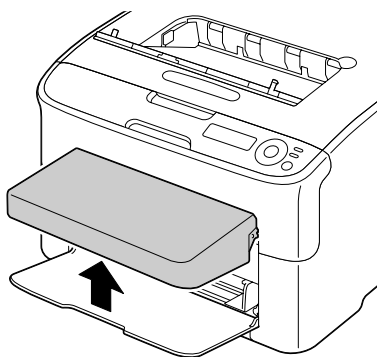




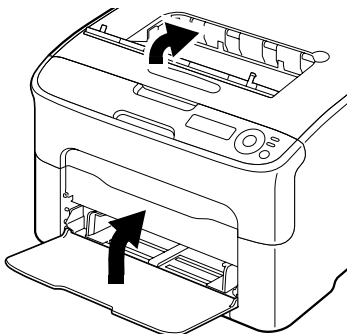
- b** Close the duplex cover, then lift up on the bottom of the duplexer, and pull it off the printer.



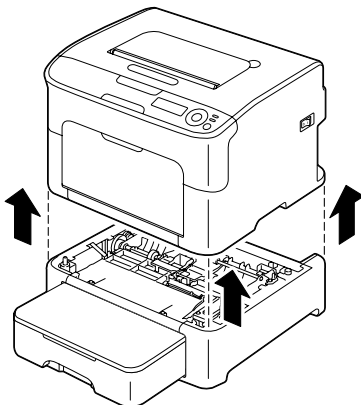
- 2** Remove the dust cover from Tray 1.



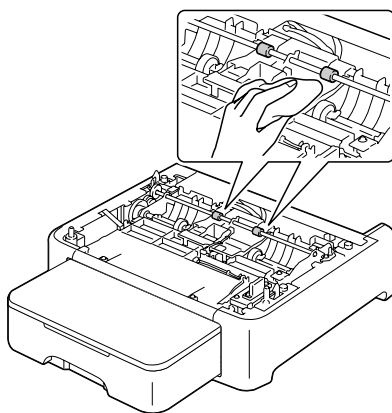
- 3** Close Tray 1 and the output tray.



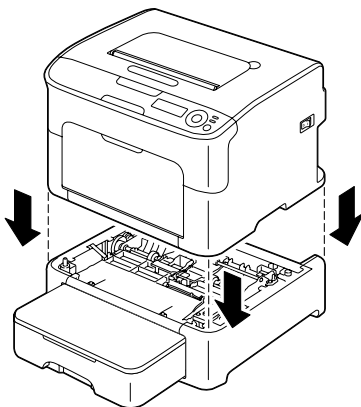
- 4 Lift the printer off of Tray 2 and temporarily place it on a sturdy flat surface.



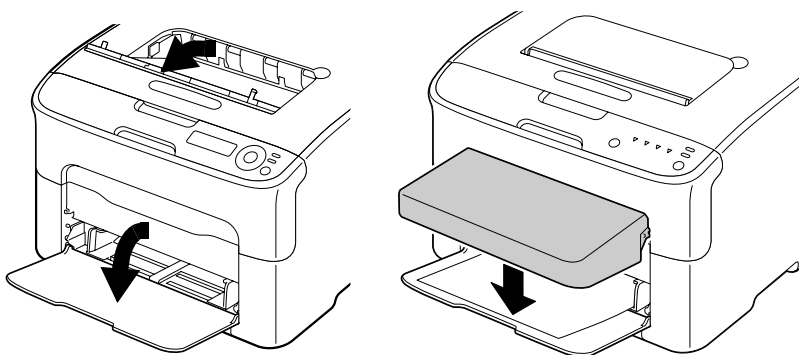
- 5 Clean the media feed rollers by wiping them with a soft, dry cloth.



- 6 Reinstall the printer on top of Tray 2.



- 7 Open the output tray and tray 1, then reattach the dust cover.



- 8 If you removed the duplex option in step 1, reinstall it.

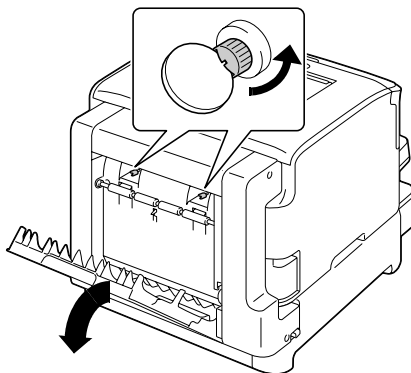
## Cleaning the Media Feed Rollers in the Duplex Attachment

### Important!

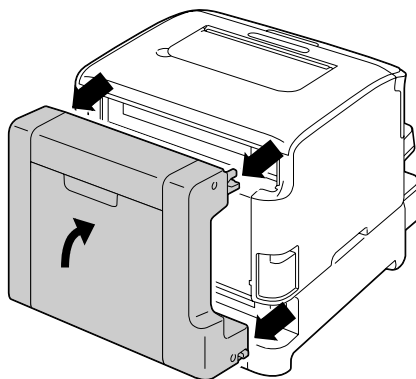
Be sure to remove the duplex option before cleaning the media feed rollers for the attachment.

- 1 Remove the duplexer.

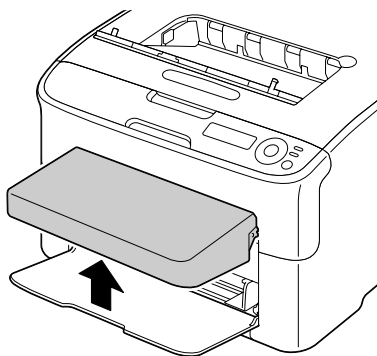
- a** Open the outer cover of the duplex unit and remove the screws holding it to the printer while holding the duplexer against the printer.



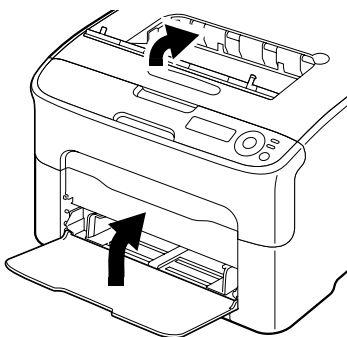
- b** Close the duplex cover., then lift up on the bottom of the duplexer, and pull it off the printer.



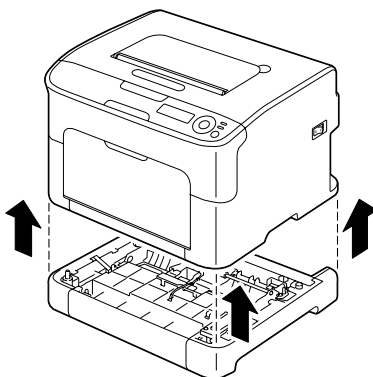
- 2 Remove the dust cover from Tray 1.



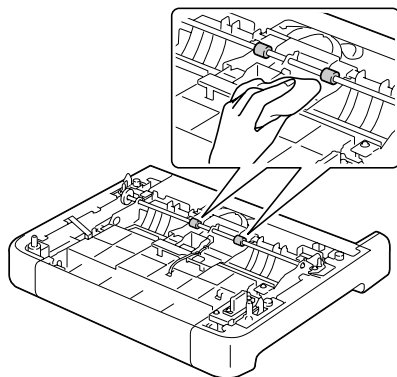
- 3 Close Tray 1 and the output tray.



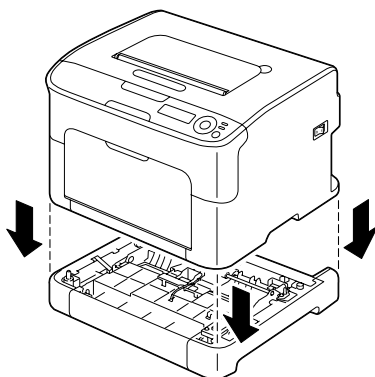
- 4 Lift the printer off of the duplex attachment and temporarily place it on a sturdy flat surface.



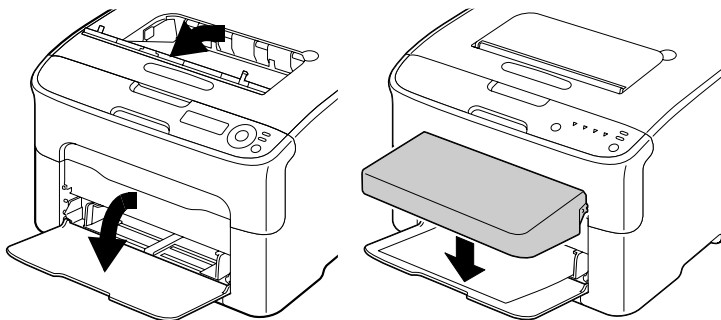
- 5 Clean the media feed rollers by wiping them with a soft, dry cloth.



- 6 Lift the printer and reinstall it on top of the attachment.



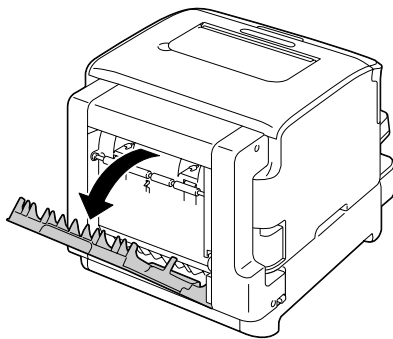
- 7 Open the output tray and tray 1, then reattach the dust cover.



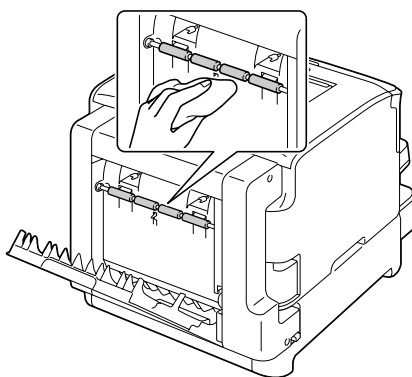
- 8 Reinstall the duplexer.

## Cleaning the Duplex Feed Rollers

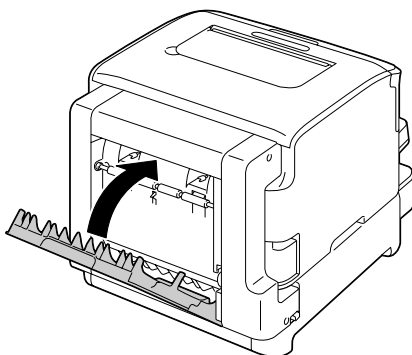
- 1 Open the duplex cover.



- 2 Clean the feed rollers by wiping them with a soft, dry cloth.



- 3 Carefully close the duplex cover.



# *Troubleshooting* 8



# Introduction

This chapter provides information to aid you in resolving printer problems you may encounter, or at least guide you to the proper sources for help.

Printing the configuration page	page 122
Preventing media misfeeds	page 123
Understanding the media path	page 124
Clearing media misfeeds	page 125
Solving problems with media misfeeds	page 140
Solving other problems	page 142
Solving problems with printing quality	page 146
Status, error, and service messages	page 152

# Printing a Configuration Page

To print a configuration page to verify the printer is configured correctly, starting from IDLE:”

<b>Press Key</b>	<b>Until Display Reads</b>
ENTER ↵	MENU MAIN MENU
ENTER ↵	MAIN MENU PRINT MENU
ENTER ↵	PRINT MENU MENU MAP
▶	PRINT MENU CONFIGURATION
ENTER ↵	CONFIGURATION YES
ENTER ↵	The configuration page prints and the printer goes back to IDLE.

# Preventing Media Misfeeds

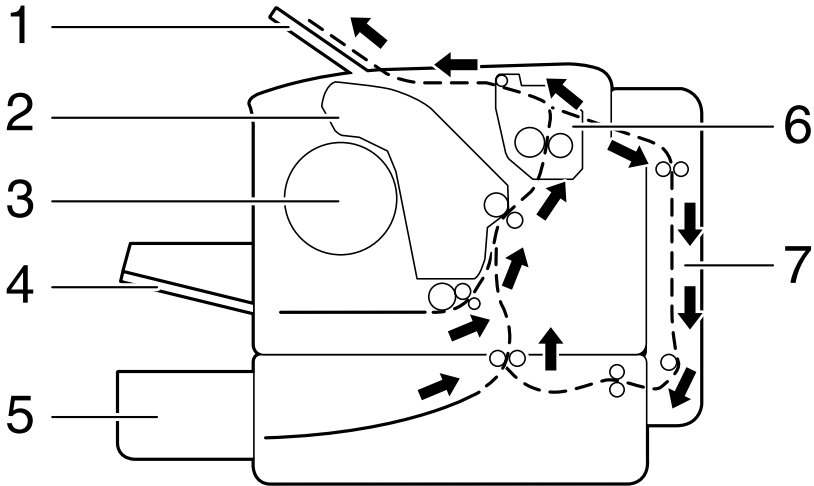
## Make sure that...

- Media matches the printer specifications.
- Media is flat, especially on the leading edge.
- The printer is on a hard, flat, level surface.
- You store media in a dry location away from moisture and humidity.
- You always adjust the media guides in Tray 1 *after* inserting the media (*a guide that is not properly adjusted can cause poor print quality, media misfeeds, and printer damage*).
- You load the media printing-side up in the tray (*many manufacturers place an arrow on the end of the wrapper to indicate the printing side*).

## Avoid...

- Media that is folded, wrinkled, or excessively curled.
- Double feeding (*remove the media and fan the sheets—they may be sticking together*).
- Loading more than one type/size/weight of media in a tray at the same time.
- Overfilling the trays.
- Allowing the output tray to overfill (*the output tray has a 100-sheet capacity—misfeeding may occur if you allow more than 100 sheets of media to accumulate at one time*).

# Understanding the Media Path



Understanding the printer's media path will help you locate media misfeeds.

- 1 Output tray
- 2 Imaging cartridge
- 3 Toner cartridge carousel
- 4 Tray 1
- 5 Tray 2 (optional)
- 6 Fuser unit
- 7 Duplex option

# Clearing Media Misfeeds

To avoid damage, always remove misfed media gently, without tearing it. Any piece of media left in the printer, whether large or small, can obstruct the media path and cause further misfeeds. Do not reload media that has misfed.

## Important!

**The image is not fixed on the media before the fusing process. If you touch the printed surface, the toner may stick to your hands, so be careful not to touch the printed face when removing the misfed media. Make sure not to spill any toner inside the printer.**

## CAUTION

**Unfused toner can dirty your hands, clothes, or anything else it gets on.**


**If you accidentally get toner on your clothes, lightly dust them off as best as you can. If some toner remains on your clothes, use cool, not hot water, to rinse the toner off. If toner gets on your skin, wash it off with cool water and a mild soap.**

## CAUTION

**If you get toner in your eyes, wash it out immediately with cool water and consult a doctor.**

If, after clearing the media misfeed, the misfeed message in the control panel window persists, open and close the printer's top cover. This should clear the misfeed message.

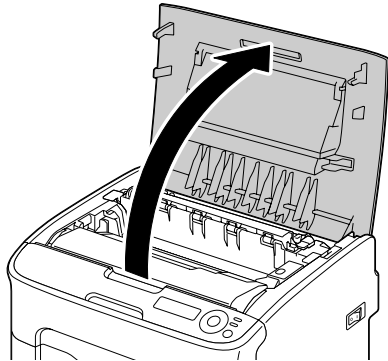
## Media Misfeed Messages and Clearing Procedures

Media Misfeed Message	Page Reference
CHECK TRAY1 PAPER  (Displaying alternately) PRESS ENTER	This message appears in the following cases. <ul style="list-style-type: none"><li>● When no media is loaded in Tray 1</li><li>● When a misfeed has occurred in Tray 1</li></ul> With the first case, load media into the tray, and then press the <b>Enter</b> key. With the second case, refer to page 126.
PAPER JAM FUSER	page 127
PAPER JAM EXIT	page 127
PAPER JAM TRANSFER	page 127
PAPER JAM TRAY2 OPEN TOP COVER	page 135
PAPER JAM DUPLEX	page 138

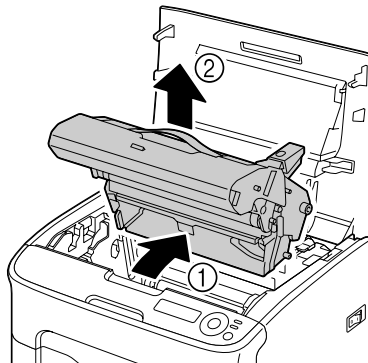
## Clearing a Media Misfeed in the Printer

- 1 Open the top cover.

**Note** If there is paper in the output tray, remove it, and then fold up the output tray before opening the top cover.

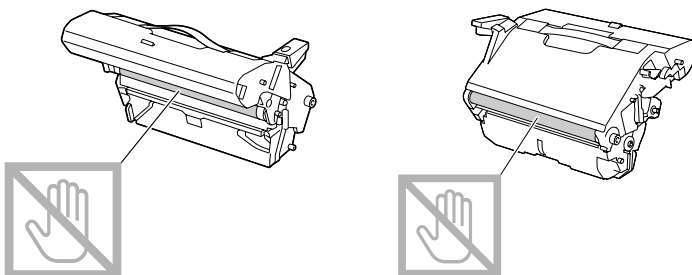


- 2 Grab the handle and lift it up slightly to the back, and then slowly pull the imaging cartridge out.

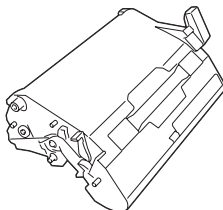


## Important!

Do not touch the PC drum and the transfer belt on the imaging cartridge.



Position the removed imaging cartridge as shown in the illustration.

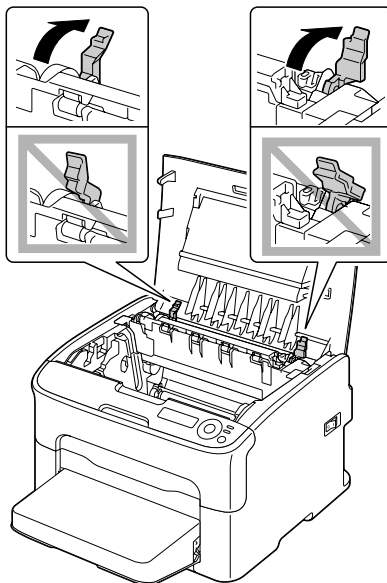


Be sure to keep the imaging cartridge horizontally horizontal and place it where it will not become dirty.

Do not leave the imaging cartridge removed for more than 15 minutes, and do not place the removed imaging cartridge in a location where it would be exposed to direct light (such as sunlight).

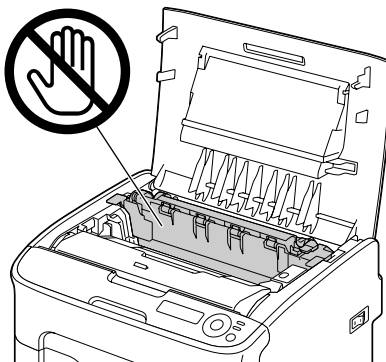


- 3** Push the fuser separator levers back as far as possible.



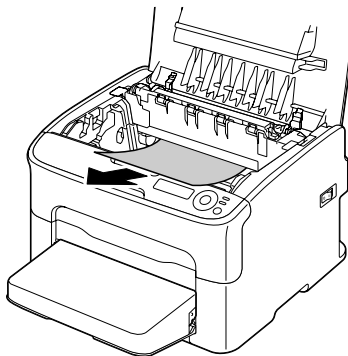
## CAUTION

The area around the fuser unit is extremely hot. Touching anything other than the indicated levers may result in burns. If you get burned, immediately cool the skin under cold water, and then seek professional medical attention.

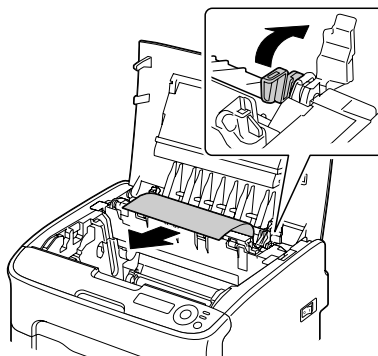


## 4 Remove any misfed media.

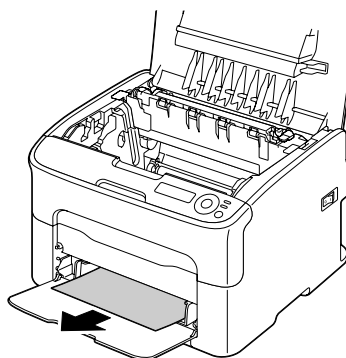
**Note** If a media misfeed occurs near the fuser unit, pull out the media from below the fuser unit, as shown in the illustration at the right.



**Note** If the media cannot be removed from below the fuser unit, raise the fuser unit cover, and then remove the media from above the fuser unit.

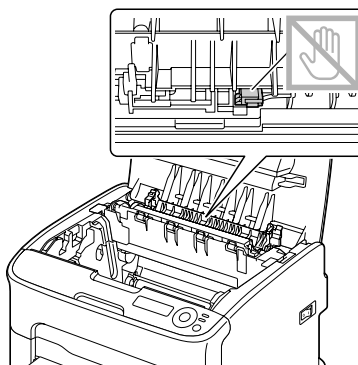


**Note** Remove the dust cover from Tray 1 and remove any jammed media.



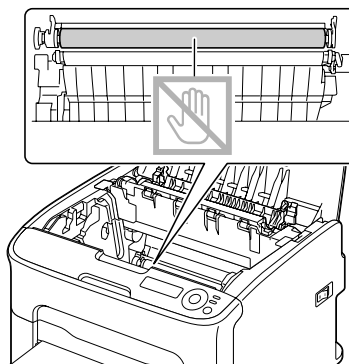
## Important!

Do not touch the paper exit sensor on the fuser unit.

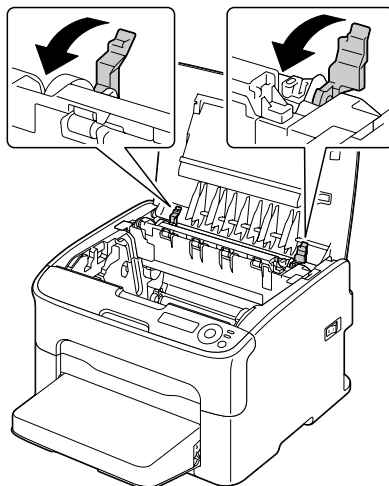


## Important!

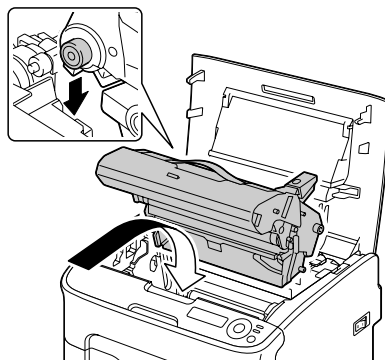
Decreased print quality may result if the surface of the transfer roller is touched. Be careful not to touch the surface of the transfer roller.



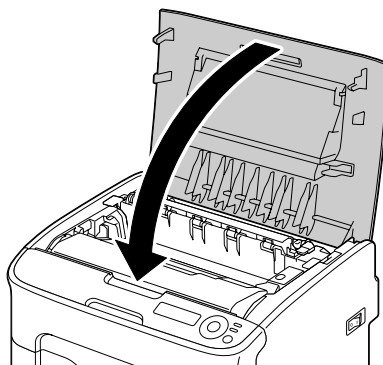
- 5** Return the fuser separator levers to their original positions.



- 6** Slowly insert the imaging cartridge vertically, and then push it slightly down toward you to finish reinstalling the imaging cartridge.

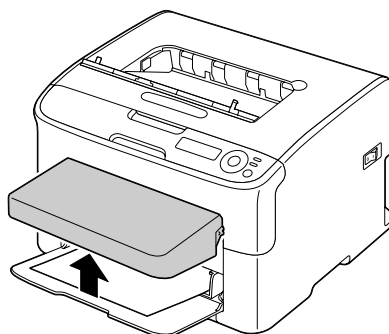


- 7 Carefully close the top cover.



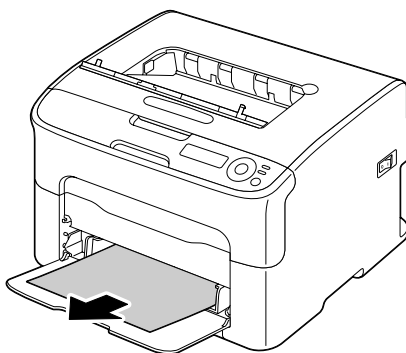
## Clearing a Media Misfeed From Tray 1

- 1 Remove the dust cover from Tray 1.

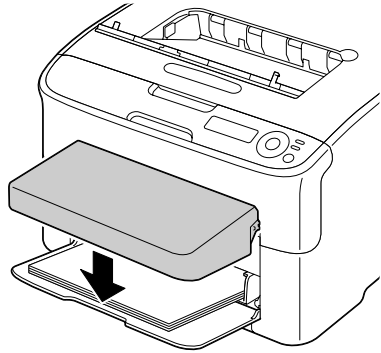


- 2 Carefully pull out the misfed media.

**Note** If the media cannot be removed, instead of pulling it with extreme force, clear the media misfeed according to the procedure described in “Clearing a Media Misfeed in the Printer” on page 127.



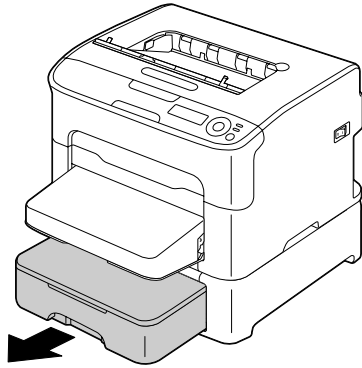
**3** Reattach the dust cover.



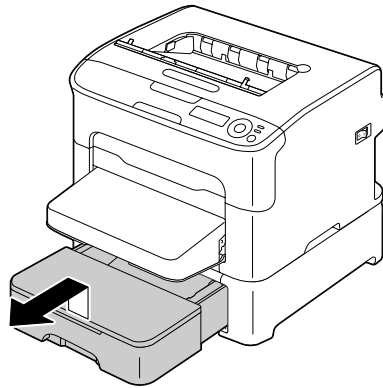
**4** Press the **Menu Select** key.

## Clearing a Media Misfeed From Tray 2

- 1 Pull out Tray 2 as far as possible.

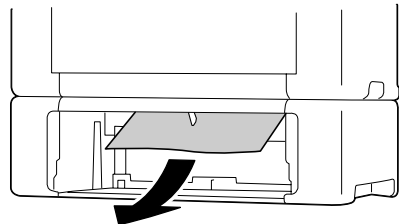


- 2 Lift up Tray 2 to remove it.

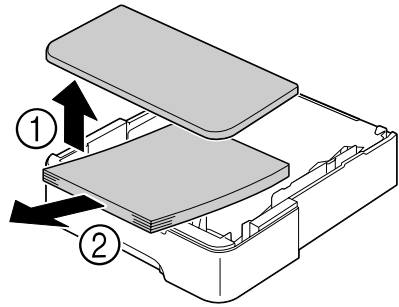


- 3 Remove any misfed paper.

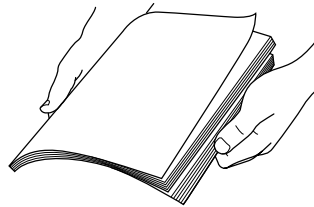
**Note** If necessary, remove the dust cover from Tray 1 and close the tray.



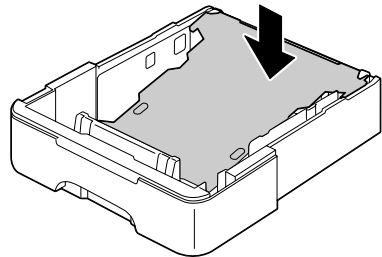
- 4** Remove the lid from Tray 2, and then remove all paper from the tray.



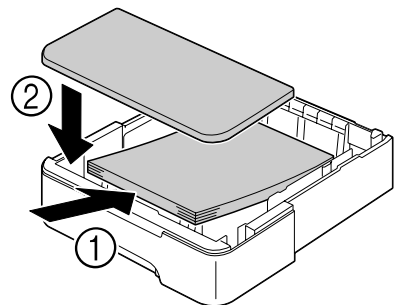
- 5** Fan the paper, and align its edges.



- 6** Press down the media pressure plate to lock it into place.

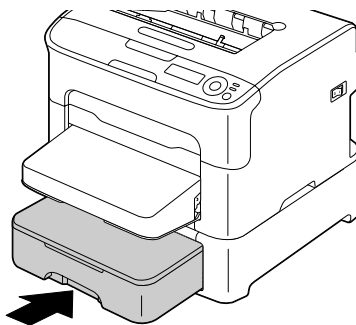


- 7** Load the media in Tray 2, and attach the lid.

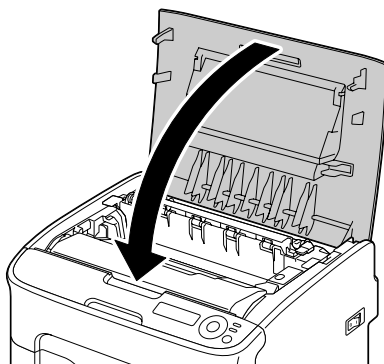
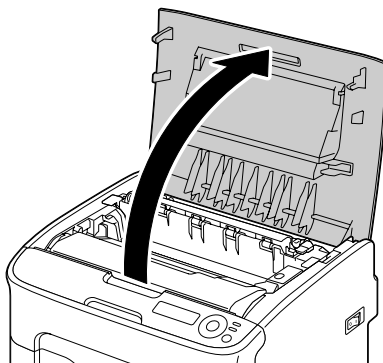




**8** Reinsert Tray 2.

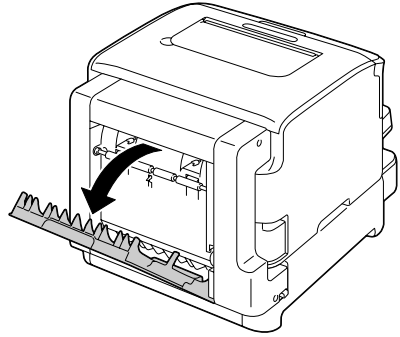


**9** Open and close the top cover to clear the misfeed message.



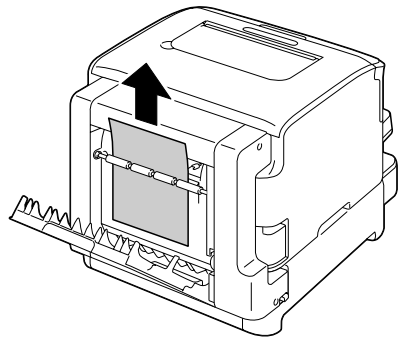
## Clearing a Media Misfeed from the Duplex Option

- 1 Open the duplex cover.

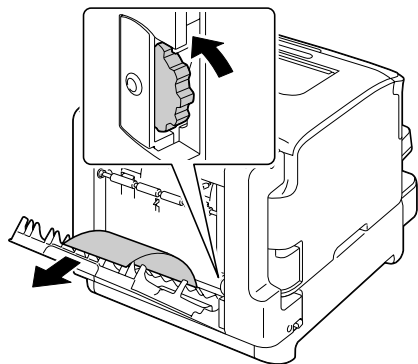


- 2 Carefully pull out the misfed media.

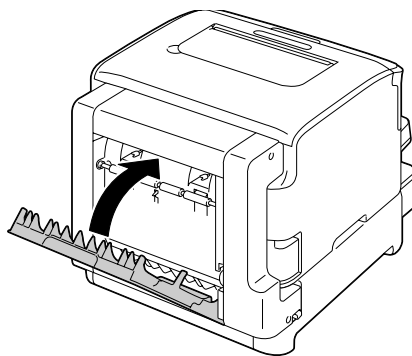
**Note** Always remove the misfed media in the feed direction as shown only.



**Note** If the media misfeed occurs at the bottom feed slot and the media does not stick out enough to be removed, turn the dial at the right in the direction of the arrow until the media can be pulled out.



**3** Close the duplex cover.



# Solving Problems with Media Misfeeds

**Note** Frequent misfeeds in any area indicate that area should be checked, repaired, or cleaned. Repeated misfeeds may also happen if you're using unsupported print media.


Symptom	Cause	Solution
Several sheets go through the printer together.	The front edges of the media are not even.	Remove the media and even up the front edges, then reload it.
	The media is moist from humidity.	Remove the moist media and replace it with new, dry media.
Media misfeed message stays on.	Top cover needs to be opened and closed again to reset the printer.	Open and close the top cover again.
	Some media remains misfed in the printer.	Recheck the media path and make sure that you have removed all of the misfed media.
Duplex option misfeeds.	Unsupported media (wrong size, thickness, type, etc.) is being used.	Use good quality recommended media. See "Print Media" on page 53.
		Only Letter/A4 plain paper and recycled paper can be autoduplexed if the duplex option is installed and the media type is set properly in the driver.
		Make sure that you have not mixed media types in Tray 1.
		Do not duplex labels, thick stock, postcard, or letterheads.
	Media is still being misfed.	Recheck the media path inside the duplex option and make sure that you have removed all of the misfed media.

<b>Symptom</b>	<b>Cause</b>	<b>Solution</b>
Media is misfeeding.	The media is not correctly positioned in the tray.	Remove the misfed media and reposition the media properly in the tray.
	The number of sheets in the tray exceeds the maximum allowed.	Remove the excess media and reload the correct number of sheets in the tray.
	The media guides are not correctly adjusted to the media size.	Adjust the media guides in the Tray 1 to match the size of the media.
	Warped or wrinkled media is loaded in the tray.	Remove the media, smooth it out, and reload it. If it still misfeeds, do not use that media.
	The media is moist from humidity.	Remove the moist media and replace it with new, dry media.
	Custom-sized media, labels, postcards, thick stock, or letterheads are loaded in Tray 2.	Special media must be loaded in Tray 1 only.
	The recommended label sheet is facing the wrong way in Tray 1.	Load the label sheets according to the manufacturer's instructions.
	Unsupported media (wrong size, thickness, type, etc.) is being used.	Use good quality recommended media. See "Print Media" on page 53.
	The media feed roller is dirty.	Clean the media feed roller.  For more details, refer to "Cleaning the Media Feed Roller" on page 99.

# Solving Other Problems

Symptom	Cause	Solution
Printer power is not on.	The power cord is not correctly plugged into the outlet.	Turn off the printer, confirm that the power cord is correctly plugged into the outlet, and then turn on the printer.
	Something is wrong with the outlet connected to the printer.	Plug another electrical appliance into the outlet and see whether it operates properly.
	The power switch is not correctly turned on (I position).	Turn the power switch off (O position), then turn it back to the on (I position).
	The printer is connected to an outlet with a voltage or frequency that does not match the printer specifications.	Use a power source with the specifications listed in "Printer Specifications" on page 169.
The control panel displays "X TONER LOW" much sooner than expected.	One of the toner cartridges may be defective.	Remove the toner cartridges and check each for damage. If one or more is damaged, replace it.
	You printed with heavy toner coverage.	See specifications in "Printer Specifications" on page 169.
You can't print the configuration page.	The tray is empty.	Check that at least Tray 1 is loaded with media, in place, and secure.
	There is a media misfeed.	Clear the media misfeed.

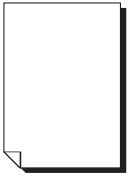

Symptom	Cause	Solution
Printing takes too much time.	The printer is set to a slow printing mode (for example, thick stock).	It takes more time to print with special media. When using regular paper, make sure that the media type is set properly in the driver.
	The printer is set to power saving mode.	It takes time for printing to start in power saving mode.
	The job is very complex.	Wait. No action needed.
	A toner cartridge for a different region is installed (X INCORRECT is displayed in the message window).	Install a genuine Oki toner cartridge approved for your specific printer.
Blank pages are printed.	One or more of the toner cartridges are defective or empty.	Check the toner cartridges. The image will not print correctly or not at all, if a cartridge is empty.
	The wrong media is being used.	Check that the media type set in the driver matches the media loaded in the printer.
Printer returned to IDLE before the configuration menu was changed.	The printer was in the configuration menu structure without a selection being made within two minutes.	When in the configuration menu structure, select your choice within 2 minutes.
Not all pages print.	The Cancel key was pressed.	Make sure no one pressed the Cancel key while your job was printing.
	The tray is empty.	Check that the tray is loaded with media, in place, and secure.
	A document is printed with an overlay file which has been created by a non-suitable driver.	Print the overlay file using a suitable driver.
Printer resets or turns off frequently.	The power cord is not correctly plugged into the outlet.	Turn off the printer, confirm that the power cord is correctly plugged into the outlet, and then turn on the printer.
	A system error occurred.	Contact Technical Support with the error information.




Symptom	Cause	Solution
You are experiencing duplex problems.	Media or settings are not correct.	For autoduplexing, make sure that you have a duplex option installed.
		Make sure that you are using correct media. <ul style="list-style-type: none"> <li>■ Only Letter/A4 plain paper can be autoduplexed.</li> <li>■ Do not duplex labels, postcards, thick stock, letterheads, or plain paper with a size other than Letter/A4.</li> <li>■ Make sure that you have not mixed media types in Tray 1.</li> </ul>
		Make sure the duplex option is installed and declared in the Windows printer driver (Properties/Configure tab).
		In the printer driver (Layout tab), choose "Double-sided".
You hear unusual noises.	The printer is not level.	Place the printer on a flat, hard, level surface.
	The tray is not installed correctly.	Remove the tray that you are printing from and reinsert it completely into the printer.
	There is a foreign object stuck inside the printer.	Turn off the printer and remove the object. If you cannot remove it, contact Technical Support.
Media is wrinkled. 	The media is moist from humidity or having water spilled on it.	Remove the moist media and replace it with new, dry media.
	The media feed roller or fuser unit is defective.	Check them for damage. If necessary, contact Technical Support with the error information.
	Unsupported media (wrong size, thickness, type, etc.) is being used.	Use good quality recommended media. See "Print Media" on page 53.









<b>Symptom</b>	<b>Cause</b>	<b>Solution</b>
The date and time is not correctly maintained on the printer.	The backup battery has reached the end of its service life.	Contact Technical Support.


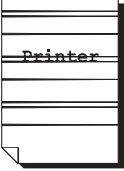
# Solving Problems with Printing Quality


Symptom	Cause	Solution
Nothing is printed, or there are blank spots on the printed page.  	One or more of the toner cartridges may be defective.	Remove the toner cartridges and check if any is damaged.
	The imaging cartridge may be defective.	Remove the imaging cartridge and check for damage. If it is damaged, replace it.
	The media is moist from humidity.	Adjust the humidity for media storage. Remove the moist media and replace it with new, dry media.
	The media set in the printer driver mismatches the media loaded in the printer.	Load the correct media in the printer.
	The power source does not match the printer specifications.	Use a power source with the proper specifications.
	Several sheets are being fed at the same time.	Remove the media from the tray and check for static electricity. Fan plain paper or other media, and replace it in the tray.
	Media is not set properly in the tray(s).	Remove the media, tap it to straighten it out, return it into the tray, and realign the media guides.
Entire sheet is printed in black or color.  	One or more of the toner cartridges may be defective.	Remove the toner cartridges and check each for damage. If one or more is damaged, replace it.
	The imaging cartridge may be defective.	Remove the imaging cartridge and check for damage. If it is damaged, replace it.

Symptom	Cause	Solution
Image is too light; there is low image density.  	The print head window is dirty.	Clean the print head window.
	The media is moist from humidity.	Remove the moist media and replace with new, dry media.
	There is not much toner left in the cartridge.	Replace the toner cartridge.
	One or more of the toner cartridges may be defective.	Remove the toner cartridges and check each for damage. If one or more is damaged, replace it.
	Media type is set incorrectly.	When printing labels, postcards, thick stock, or letterheads, specify the appropriate media type in the printer driver.
Image is too dark.  	One or more of the toner cartridges may be defective.	Remove the toner cartridges and check each for damage. If one or more is damaged, replace it.
	The imaging cartridge may be defective.	Remove the imaging cartridge and check for damage. If it is damaged, replace it.
Image is blurred; background is lightly stained; there is insufficient gloss of the printed image.  	One or more of the toner cartridges may be defective.	Remove the toner cartridges and check each for damage. If one or more is damaged, replace it.
	The imaging cartridge may be defective.	Remove the imaging cartridge and check for damage. If it is damaged, replace it.

Symptom	Cause	Solution
The print or color density is uneven. 	One or more of the toner cartridges may be defective or low.	Remove the toner cartridges and check for damage. If it is damaged, replace it.
	The imaging cartridge is defective.	Remove the imaging cartridge and check for damage. If it is damaged, replace it.
	The printer is not level.	Place the printer on a flat, hard, level surface.
Irregular print or mottled image appears. 	The media is moist from humidity.	Adjust the humidity in the media storage area. Remove the moist media and replace it with new, dry media.
	Unsupported media (wrong size, thickness, type, etc.) is being used.	Use good quality recommended media. See "Print Media" on page 53.
	One or more of the toner cartridges may be defective.	Remove the toner cartridges and check each for damage. If one or more is damaged, replace it.
	The imaging cartridge is defective.	Remove the imaging cartridge and check for damage. If it is damaged, replace it.
There is insufficient fusing or the image comes off when rubbed. 	The media is moist from humidity.	Remove the moist media and replace it with new, dry media.
	Unsupported media (wrong size, thickness, type, etc.) is being used.	Use good quality recommended media. See "Print Media" on page 53.
	Media type is set incorrectly.	When printing labels, postcards, thick stock, or letterheads, specify the appropriate media type in the printer driver.

Symptom	Cause	Solution
<p>There are toner smudges or residual images.</p> 	<p>One or more of the toner cartridges are defective or installed incorrectly.</p>	<p>Remove the toner cartridges and check each for damage. If one or more is damaged, replace it.</p>
<p>There are toner smudges on the back side of the page (whether or not it has been duplexed).</p> 	<p>The media path is dirty with toner.</p>	<p>Print several blank sheets and the excess toner should disappear.</p>
	<p>One or more of the toner cartridges are defective.</p>	<p>Remove the toner cartridges and check each for damage. If one or more is damaged, replace it.</p>
	<p>The imaging cartridge is defective.</p>	<p>Remove the imaging cartridge and check for damage. If it is damaged, replace it.</p>
<p>Abnormal areas (white, black, or color) appear in a regular pattern.</p> 	<p>The print head window is dirty.</p>	<p>Clean the print head window.</p>
	<p>A toner cartridge may be defective.</p>	<p>Remove the toner cartridge with the color causing the abnormal image. Replace it with a new toner cartridge.</p>
	<p>The imaging cartridge is defective.</p>	<p>Remove the imaging cartridge and check for damage. If it is damaged, replace it.</p>

<b>Symptom</b>	<b>Cause</b>	<b>Solution</b>
Image defects. 	The print head window is dirty.	Clean the print head window.
	A toner cartridge may be leaking.	Remove the toner cartridges and check for damage. If it is damaged, replace it.
	A toner cartridge may be defective.	Remove the toner cartridge with the color causing the abnormal image. Replace it with a new toner cartridge.
	The imaging cartridge may be defective.	Remove the imaging cartridge and check for damage. If it is damaged, replace it.
Lateral lines or bands appear on image. 	The printer is not level.	Place the printer on a flat, hard, level surface.
	The media path is dirty with toner.	Print several sheets and the excess toner should disappear.
	One or more of the toner cartridges may be defective.	Remove the toner cartridges and check each for damage. If one or more is damaged, replace it.
	The imaging cartridge is defective.	Remove the imaging cartridge and check for damage. If it is damaged, replace it.
Colors look drastically wrong.	One or more of the toner cartridges may be defective.	Remove the toner cartridges and verify that the toner is distributed evenly on each cartridge roller, and reinstall the toner cartridges.
	One or more of the toner cartridges may be low or empty.	Check the control panel for an X TONER LOW or X TONER OUT message. If necessary, replace the specified toner cartridge.
Colors are not registering properly; colors are mixed or have page-to-page variation.	The imaging cartridge is not correctly seated.	Remove the imaging cartridge and reinstall it.
	One or more of the toner cartridges may be defective.	Remove the toner cartridges and check each for damage. If one or more is damaged, replace it.
	The media is moist from humidity.	Remove the moist media and replace it with new, dry media.

Symptom	Cause	Solution
<p>The color has a poor reproduction or has poor color density.</p> 	<p>The imaging cartridge may be defective.</p>	<p>Remove the imaging cartridge and check for damage. If it is damaged, replace it.</p> <p>Perform AIDC. (On the control panel menu, go to MAIN MENU/QUALITY MENU/AIDC/REQUEST AIDC, then select YES.)</p>

If the problem is not resolved, even after all of the above have been performed, contact Technical Support with the error information.

# Status, Error, and Service Messages

Status, error, and service messages are displayed in the control panel message window. They provide information about your printer and help you locate problems. When the condition associated with a displayed message is corrected, the message is cleared from the window.

## Standard Status Messages


Message	Meaning	What to Do
CALIBRATING	Whenever you replace a toner cartridge or reboot the printer after making environmental changes, the printer automatically pauses to do an Auto-Image Density Control (AIDC) cycle. This process is provided to make reliable printer operation with optimum output quality possible.	No action needed.
CANCELLING JOB	The job is being cancelled.	
ENERGY SAVER	The printer is in Energy Saver mode to reduce power consumption during periods of inactivity. When a print job is received, the printer returns to normal power within 33 seconds.  In addition, the machine will return to its normal operating condition when any key on the control panel is pressed.	
IDLE	The printer is on and ready to receive data.	
INITIALIZING	The printer is being initialized.	
PRINTING	The printer is printing.	



Message	Meaning	What to Do
PROCESSING	The printer is processing data.	No action needed.
Oki C130 STARTING PRINTER	The printer is being started up.	
PORT AUTH ACTIVE	The IEEE802.1x port is being authorized.	
WARMING UP	The printer is warming up.	

## Error Messages: Warning


Message	Meaning	What to Do
CHECK TRAY1 PAPER  ↕ (Displaying alternately)	Tray 1 is empty.	Load the media into Tray 1, and then press the <b>Enter</b> key.
PRESS MENU/SELECT	Media has misfed in Tray 1.	Remove the misfed media.
I/C END	The imaging cartridge has reached the end of its life.	Replace the imaging cartridge.
I/C LIFE END		
I/C LOW	The imaging cartridge is near the end of its life.	Prepare a new imaging cartridge.
TRAY 2 IS EMPTY	Tray 2 is empty.	Load the media into Tray 2.
TRAY 2 OPEN	Tray 2 cassette is not installed or is not fully closed.	Close Tray 2 or print from another tray.
VIDEO I/F ERROR	A video interface error occurred in the printer.	Turn off the printer. After a few seconds, turn on the printer.
X INCORRECT	The x toner cartridge is an unapproved type.	Install a genuine Oki toner cartridge of the appropriate type.
X MEMORY ERROR	A memory error occurred in the toner cartridge.	Re-install the specified toner cartridge.

Message	Meaning	What to Do
X TONER LOW	The x toner cartridge is nearly empty.	Prepare the specified color toner cartridge.
X TONER OUT (Ready Indicator: On. Attention Indicator: Off)	The x toner cartridge is empty.	Replace the toner cartridge.   <i>Printing can continue, however, the printing results are not guaranteed.</i>

## Error Messages (Operator Call)

Message	Meaning	What to Do
AUTH TIMEOUT	The user is automatically logged off due to IEEE802.1x port authorization.	Reauthorize the IEEE802.1x port, and then log on.
AIDC ERROR	AIDC sensor error.	Open and close front cover to automatically clean AIDC parts.
BELT ERROR	The printer detected incorrect image position on the image transfer belt.	Check the cyan and black toner cartridges and replace them if they have run out.  If the error has not been recovered by this procedure, please call Technical Support.
DUPLEX UNIT PANEL OPEN	Duplex cover is open.	Close the duplex cover.
ERROR LOADING IMAGE	While updating code, an error has occurred.	The user should attempt the upgrade process again.

<b>Message</b>	<b>Meaning</b>	<b>What to Do</b>
PAPER JAM DUPLEX	Media has misfed in the duplex option.	Locate and remove the misfeed.
PAPER JAM EXIT	Media has misfed in the fuser area.	
PAPER JAM FUSER		
PAPER JAM TRANSFER	Media has misfed in the transfer roller area. This type of misfeed means that the media did not make it to the paper exit area.	
PAPER JAM TRAY 2	Media has misfed while being pulled from Tray 2.	Locate and remove the misfeed.
PUT "SIZE" "TYPE" IN TRAY 1	The size of paper being printed on is different from the size of paper specified in the printer driver.	Load the correct paper on Tray 1, and press the <b>Enter</b> key, then specify the size and type of the paper.
PUT "SIZE" "TYPE" IN TRAY 2	The paper size set from the printer driver is different from the size of paper loaded into Tray 2.	<ul style="list-style-type: none"> <li>■ Open Tray 2 and keep correct paper size. Then close Tray 2.</li> <li>■ Specify the correct paper size in the MAIN MENU/PAPER MENU/INPUT TRAY/TRAY2/MEDIA SIZE menu.</li> </ul>
TOP COVER OPEN	The printer's top cover is open.	Close the top cover.
	The imaging cartridge is not installed.	Install the imaging cartridge.
	A imaging cartridge incompatible with the machine is installed.	Replace the imaging cartridge with a correct one.
X TONER LIFE END	The x toner cartridge has reached the end of its life.	Replace the toner cartridge.

Message	Meaning	What to Do
X TONER MISSING	The x toner cartridge is not installed.	Install a x toner cartridge.
X TONER OUT  (Ready Indicator: Off. Attention Indicator: On)	The x toner cartridge is empty.	Replace the toner cartridge.   <i>If the MAIN MENU/ QUALITY MENU/ TONER OUT ACTION menu is set CONTINUE, printing can continue. However, the printing results are not guaranteed.</i>

## Service Messages

These messages indicate a more serious error that can only be corrected by a customer service engineer. If one of these messages appears, turn the printer off, then turn it on again. If the problem persists, contact your local vendor or authorized service provider.

Message	Meaning	What to Do
SERVICE CALL XXXX	An error has been detected with the item indicated "XXXX" in the service message.	Reboot the printer. This often clears the service message, and printer operation can resume.  If the problem persists, contact Technical Support.

# ***Installing Accessories*** **9**

# Introduction

There are two options for this printer:

- **Second Paper Tray**, which takes 500 sheets of 20-lb (75 g/m<sup>2</sup>) paper
- **Duplexer**, for printing on both sides of the paper.

The duplexer is furnished with a duplex attachment which is required if the optional second tray is *not* installed.

## Important!

**Installing accessories always requires that the printer be turned off and unplugged during installation.**

## Tray 2

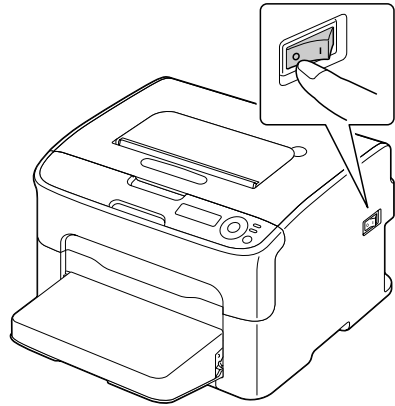
If Tray 2 is installed, up to 500 additional sheets of A4/Letter-size paper can be loaded.

### Installing Tray 2

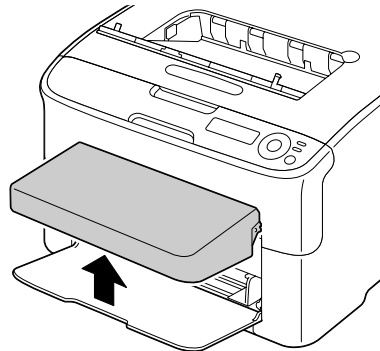
## Important!

**Since the imaging drum and toners are installed in the printer, be sure to keep the printer level when moving it in order to prevent accidental spills.**

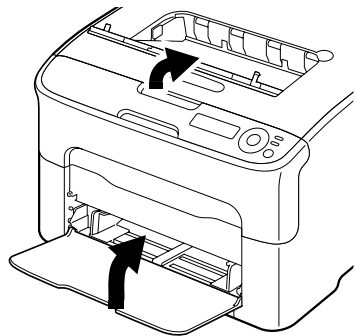
- 1 Turn off the printer and disconnect the power cord and interface cables.



- 2 Remove the dust cover from Tray 1.



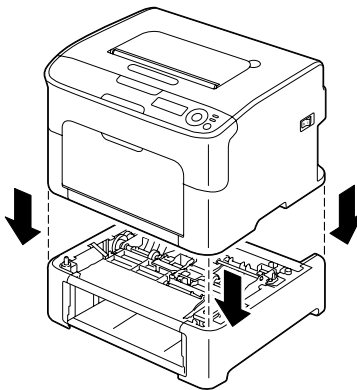
- 3 Close Tray 1 and the output tray



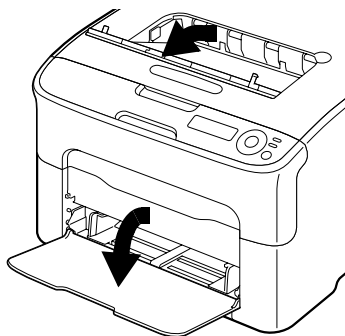
- 4 Unpack Tray 2.

**Note** Be sure to place Tray 2 on a level surface.

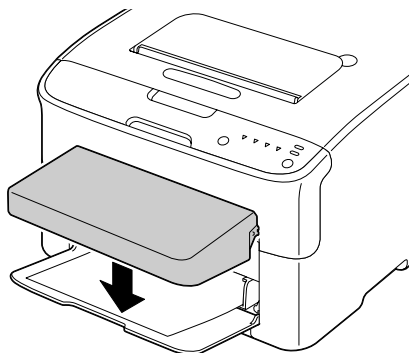
- 5 Lift the printer and place it on top of Tray 2, making sure that the positioning pins on Tray 2 correctly fit into the holes in the bottom of the printer.



- 6 Open the output tray and Tray ,1.

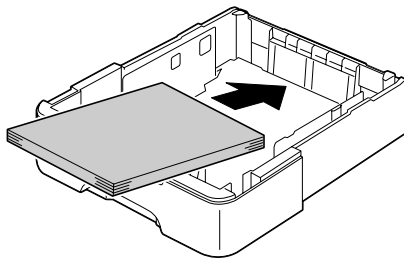


- 7 Reattach the dust cover.

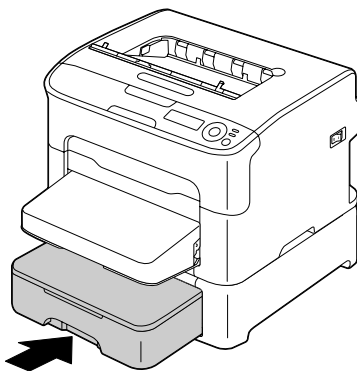




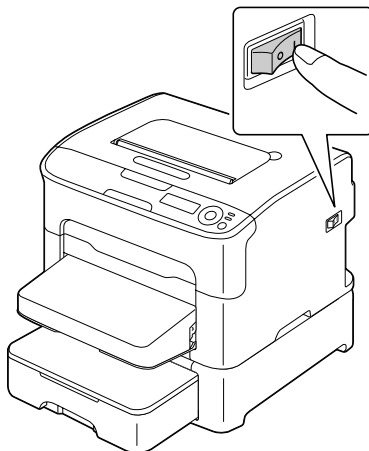
- 8 Load paper into Tray 2. See “Tray 2” on page 65.



- 9 Insert Tray 2 into the printer and reconnect all interface cables.



- 10 Reconnect the power cord, and turn on the printer.



- 11 Activate Tray 2 in the Windows printer driver (Properties/Configure tab, see page 17).

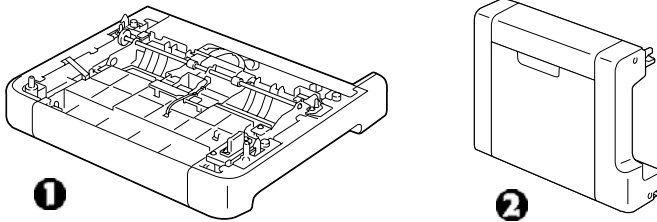
# Duplex Option

Duplex printing (printing on both sides of the page) can be performed automatically with the duplex option installed.

For more information, see “Duplexing” on page 68.

Before installing the duplexer, you must first install one of the following on the printer:

- Optional Tray 2
- The duplexing attachment (1) supplied with the Duplexer (2)



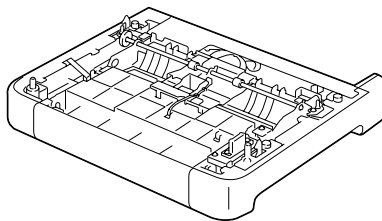
## Installing the Duplexing Attachment

### Important!

If Tray 2 is installed, it is not necessary to install the duplex attachment. In this case, skip “Installing the Attachment”, and continue with “Installing the Duplex Option” on page 174.

The duplexing attachment (or optional Tray 2) must be installed before the duplexer can be installed.

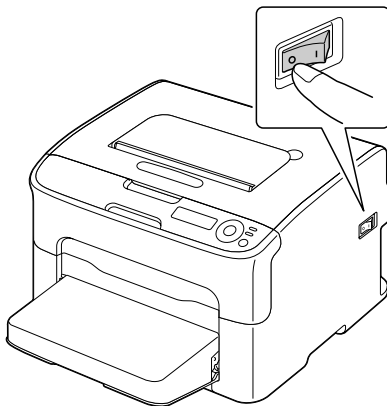
**Note** The duplexing attachment cannot be used by itself; it must be used together with the duplexer.



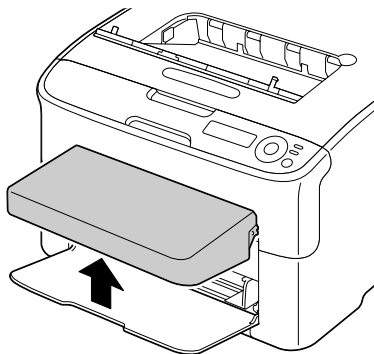
## Important!

Since the imaging drum and toners are installed in the printer, be sure to keep the printer level when moving it in order to prevent accidental spills.

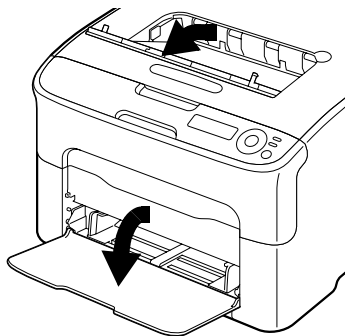
- 1 Turn off the printer and disconnect the power cord and interface cables.



- 2 Remove the dust cover from Tray 1.



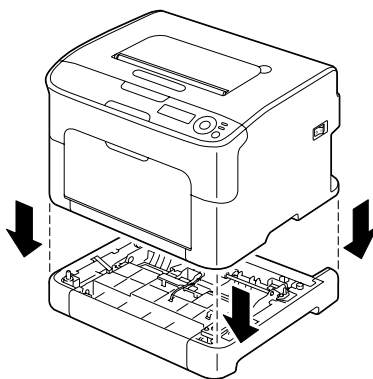
- 3 Close Tray 1 and the output tray.



- 4 Unpack the duplexing attachment.

**Note** Be sure to place the attachment on a level surface.

- 5 Lift the printer and place it on top of the attachment, making sure that the positioning pins on the attachment correctly fit into the holes on the bottom of the printer.

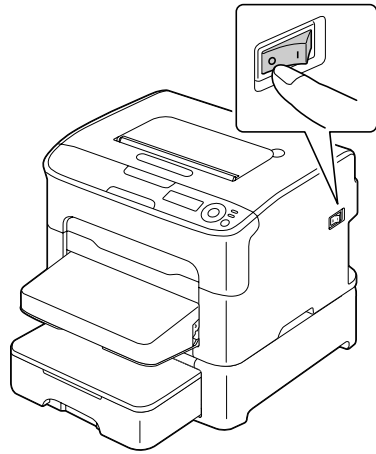


- 6 Open Tray 1 and the output tray, and reattach the dust cover.

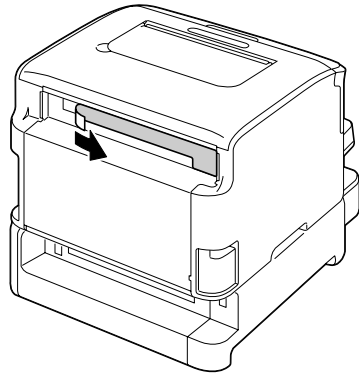
## Installing the Duplexer

**Note** The illustrations in the following installation procedure show the printer with Tray 2 installed; however, the installation procedure would be the same if the attachment was installed.

- 1 Turn off the printer and disconnect the power cord and interface cables.

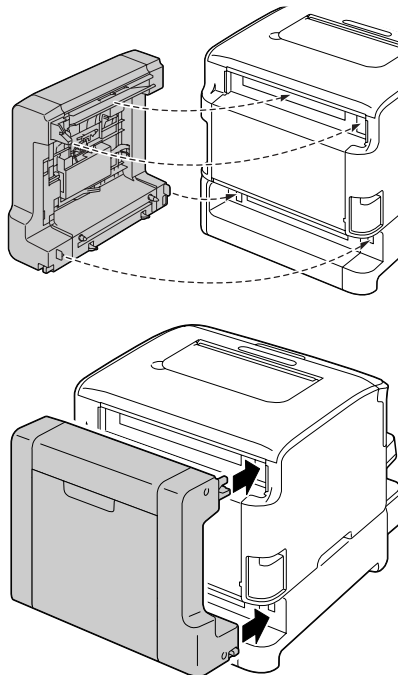


- 2 Remove the tape affixed to the rear cover.



- 3 Unpack the duplexer.

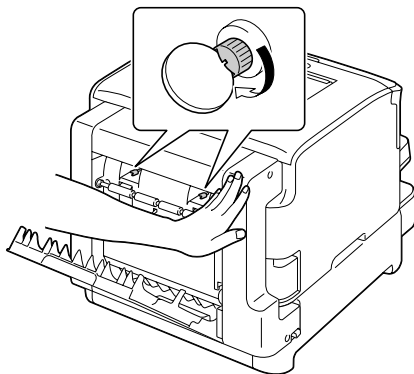
- 4 Install the duplexer.  
Align the duplex option with its installation position, and then push down on the bottom of the duplex option until it locks into place.



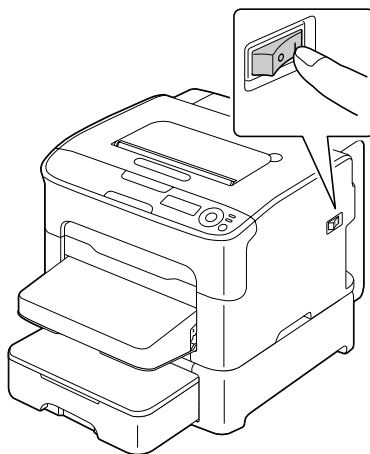
## Important!

**When attaching the duplex option, attach the bottom of the option first. If the duplex option is attached incorrectly, it may be damaged.**

- 5 Open the duplex cover.  
While holding the duplex option against the printer, tighten the screws inside the cover to complete the installation of the duplex option.



- 6 Reconnect all interface cables.  
7 Reconnect the power cord, and turn on the printer.



- 8 Activate the duplexer in the Windows printer driver (Properties/Configure tab, see page 17).

# *Specifications* 10



# Printer Specifications

Type	Desktop full color laser beam printer
Printing system	Dual laser diode with polygon mirror
Developing system	Mono component development system
Fusing system	Heat roller system
Resolution	600 dpi × 600 dpi × 4 bits or 600 dpi × 600 dpi × 1 bit
First print	<p>Simplex</p> <ul style="list-style-type: none"> <li>■ Monochrome: 13.0 seconds for A4, Letter (plain paper)</li> <li>■ Full color: 22.0 seconds for A4, Letter (plain paper)</li> </ul> <p>Duplex</p> <ul style="list-style-type: none"> <li>■ Monochrome: 26.0 seconds for A4, Letter (plain paper)</li> <li>■ Full color: 35.0 seconds for A4, Letter (plain paper)</li> </ul>
Print speed	<p>Simplex</p> <ul style="list-style-type: none"> <li>■ Monochrome: 20.0 pages per minute for A4, Letter (plain paper)</li> <li>■ Full color: 5.0 pages per minute for A4, Letter (plain paper)</li> </ul> <p>Duplex</p> <ul style="list-style-type: none"> <li>■ Monochrome: 13.2 pages per minute for A4, Letter (plain paper)</li> <li>■ Full color: 5.0 pages per minute for A4, Letter (plain paper)</li> </ul>
Warm-up time	Avg. 45 seconds (time to return to Ready mode from Energy save mode)

Media sizes	<p>Tray 1</p> <ul style="list-style-type: none"> <li>■ Paper width: 92 to 216 mm (3.6 to 8.5")</li> <li>■ Paper length: <ul style="list-style-type: none"> <li>Plain paper: 195 to 356 mm (7.7 to 14.0")</li> <li>Thick stock 1/2: 184 to 297 mm (7.25 to 11.7")</li> </ul> </li> </ul> <p>Tray 2 (Optional) A4/Letter</p>
Paper/Media	<p>Plain paper (60 to 90 g/m<sup>2</sup>; 16 to 24 lb bond)</p> <p>Thick stock 1 (91 to 163 g/m<sup>2</sup>)</p> <p>Thick stock 2 (164 to 209 g/m<sup>2</sup>)</p> <p>Postcard</p> <p>Letterhead</p> <p>Label sheet</p>
Input capacity	<p>Tray 1</p> <ul style="list-style-type: none"> <li>■ Plain paper: 200 sheets</li> <li>■ Label/Letterhead/Postcard/Thick Stock: 50 sheets</li> </ul> <p>Tray 2 (Optional) Plain paper: 500 sheets</p>
Output capacity	Output tray: 100 sheets (A4, Letter)
Operating temperature	10 to 35°C (50 to 95°F)
Operating humidity	15 to 85%
Power supply	120 V, 60 Hz 220 to 240 V, 50 to 60 Hz
Power consumption	120 V: 1050 W or less 220 to 240 V: 1100 W or less Energy Saver Mode: 18.5 W or less
Amperage	120 V: 8.4 A or less 220 to 240 V: 4.4 A or less
Acoustic Noise	Printing: 52 dB or less Standby: 32 dB or less

External dimensions	Height: 275 mm (10.8") Width: 399 mm (15.8") Depth: 380 mm (14.9")
Weights	13 kg (without consumables) 15 kg (with consumables)
Interface	USB 2.0 and USB 1.1 compliant, 10Base-T/ 100Base-TX (IEEE 802.3) Ethernet
Standard memory	256 MB

# Consumable Life Expectancy Chart

## User-Replaceable Consumables

Item	Average Life Expectancy (in Simplex Pages)
Toner cartridge	<b>Starter Cartridge</b> = 500 pages (Y, M, C) 1,000 pages (K) <b>Replacement Cartridge</b> = Standard-capacity: 1,500 pages (Y, M, C) High-capacity: 2,500 pages (Y, M, C, K)
Imaging cartridge	<b>Monochrome:</b> 45,000 pages (Continuous) 10,000 pages (1 page per job) <b>Full color:</b> 11,250 pages (Continuous) 7,500 pages (1 page per job)
Fuser unit	50,000 pages

**Note** The values listed in the above table indicate the number of pages for simplex printing using A4/Letter-size media with 5% coverage. The actual life may differ (be shorter) depending on the printing conditions (coverage, paper size, etc.), differences in the printing method, such as continuous printing or intermittent printing (when print jobs of one page are often printed), or the type of paper used, for example, thick paper. In addition, the life will be affected by the temperature and humidity of the operating environment.

## Service-Replaceable Consumables

Item	Average Life Expectancy
Transfer roller	50,000 pages

## Free Manuals Download Website

<http://myh66.com>

<http://usermanuals.us>

<http://www.somanuals.com>

<http://www.4manuals.cc>

<http://www.manual-lib.com>

<http://www.404manual.com>

<http://www.luxmanual.com>

<http://aubethermostatmanual.com>

Golf course search by state

<http://golfingnear.com>

Email search by domain

<http://emailbydomain.com>

Auto manuals search

<http://auto.somanuals.com>

TV manuals search

<http://tv.somanuals.com>