

User's Guide

Copyright Information

Copyright © 2008 by Oki Data. All Rights Reserved

Document Information

B410d/B410dn/B420dn/B430dn User's Guide

P/N 59309301, Revision 1.0

July, 2008

Disclaimer

Every effort has been made to ensure that the information in this document is complete, accurate, and up-to-date. The manufacturer assumes no responsibility for the results of errors beyond its control. The manufacturer also cannot guarantee that changes in software and equipment made by other manufacturers and referred to in this guide will not affect the applicability of the information in it. Mention of software products manufactured by other companies does not necessarily constitute endorsement by the manufacturer .

While all reasonable efforts have been made to make this document as accurate and helpful as possible, we make no warranty of any kind, expressed or implied, as to the accuracy or completeness of the information contained herein.

The most up-to-date drivers and manuals are available from the web site:

<http://www.okiprintingsolutions.com>

Trademark Information

Oki, OkiLAN are registered trademarks of Oki Electric Industry Company Ltd.

Apple, Macintosh, Mac and Mac OS are registered trademarks of Apple Computers Inc.

Microsoft, MS-DOS, Windows, Windows Vista, Internet Explorer are either registered trademarks or trademarks of Microsoft Corporation in the United States and/or other countries.

Adobe, Acrobat, Acrobat Reader, PostScript™ Adobe Systems, Inc. which may be registered in certain jurisdictions. Ethernit® Digital Equipment Corporation. Mozilla and Firefox®/™ Mozilla Foundation.

Other product names and brand names are registered trademarks or trademarks of their proprietors.

CONTENTS

Contents	3
Notes, Cautions and Warnings	5
Introduction	6
Printer features	6
Using your printer	6
About this manual	7
Online usage	7
Printing Pages	7
Abbreviations used	8
Printer components	9
Operator panels	11
B410d and B410dn	11
Operator panel	11
LED indicators	11
LCD	12
Online button	12
Changing language	13
Printer menu setup tool	13
Menu functions	14
Printing menu settings	20
B420dn, B430dn,	21
Operator panel	21
Panel elements	21
Menu functions	22
Printing menu settings	28
Paper recommendations	29
Paper and envelope types	29
Transparencies and adhesive labels	29
Postcards	30
Installing paper	30
Paper Tray	30
Multi purpose tray and manual feed tray	32
Paper feed, size and media setting	33
B410d and B410dn	33
B420dn, B430dn	34
Interfaces	36
Printer drivers	37
Windows operating systems	37
Installed options	37
Macintosh operating systems	37
Installed options	37
Choosing a Mac driver	37
Operation	38
Printer settings in Windows	38
Printing preferences in Windows applications	38
PCL emulation	38
PS emulation (B430dn)	42
Setting from Windows control panel	44
Printer settings in Macintosh	47
Power Saving Mode	48
changing the length of time before entering power saving mode	48
.....	48
disabling power saving mode	48

2-sided printing	50
Auto duplex printing	50
Manual duplex printing using the paper tray (Windows only)	51
Manual duplex printing using the Manual Feed Tray (B410d and B410dn) or the Multi-Purpose Tray (B420dn and B430dn)	53
Long Edge.	53
Short Edge.	54
Overlays and Macros (Windows only)	55
What are overlays and macros?	55
Creating PostScript overlays	55
Creating the overlay image.	55
Create and download the project.	56
Test printing the overlay	56
Defining overlays	56
Printing with PostScript overlays	57
Creating PCL Overlays	58
Creating the overlay image.	58
Create and download macros	58
Test printing the macro	59
Defining overlays	59
Printing with PCL overlays	60
Consumables and maintenance	61
Consumable order details	61
Toner cartridge life	61
When to replace the toner cartridge	61
Replacing the toner cartridge	61
Image drum life	65
When to replace the image drum	65
Replacing the image drum	65
Generating a cleaning page	67
B410d and B410dn	67
B420dn, B430dn	67
Cleaning the LED array	69
Troubleshooting	70
Status and error messages	70
Paper Jams	70
Input jam	71
Feed jam or exit jam	71
Print quality problems	74
Paper feed problems	76
Software problems	77
Hardware problems	77
Installing options	78
Installing options order numbers	78
Installation procedure	78
Specifications	79
General	79
Paper and tray information	81
Notes/symbols/terms	83
Service and Support	84

NOTES, CAUTIONS AND WARNINGS

NOTE

A note provides additional information to supplement the main text.

CAUTION!

A caution provides additional information which, if ignored, may result in equipment malfunction or damage.

WARNING!

A warning provides additional information which, if ignored, may result in a risk of personal injury.

For the protection of your product, and in order to ensure that you benefit from its full functionality, this model has been designed to operate only with genuine original toner cartridges. Any other toner cartridge may not operate at all, even if it is described as "compatible", and if it does work, your product's performance and print quality may be degraded.

Specifications subject to change without notice. All trademarks acknowledged.

INTRODUCTION

Congratulations on purchasing this monochrome page printer.

Your new printer is designed with a range of advanced features to give you crisp black and white pages at high speed on a wide range of print media.

For your information, a summary of the main features of your printer is given below.

PRINTER FEATURES

- > Four different models to choose from: B410d and B410dn, B420dn, B430dn (d denotes Duplex included and n denotes Network Interface Card included).
- > Memory: 32MB for B410d, B410dn and B420dn; 64MB for B430dn.
- > High speed printing: 28ppm A4 and 30ppm Letter.
- > Resolution: 1200 x 600 dpi for B410d, B410dn and B420dn; 1200 x 1200 dpi for B430dn.
- > Paper handling: 250 sheets (75g/m²) for B410d, B410dn, B430dn; 530 sheets for the B420dn.
- > Emulation: standard Printer Control Language PCL6, Epson FX, IBM ProPrinter and PostScript 3 for B430dn.
- > Barcodes: embedded for SIDM emulations.
- > Flash DIMM: 2MB for B410d, B410dn and B420dn and 8MB for B430dn to allow the storage of additional fonts or bar codes.
- > USB 2.0 High speed and Parallel interfaces.
- > 10/100 BASE-TX Network: standard for B410d and B410dn, lets you share this valuable resource among users on your office network.
- > Multi Purpose tray for B420dn and B430dn: to extend the range of media your printer can accommodate (capacity 50 sheets (64g/m²) or 10 envelopes), and can also use as manual duplex.
- > Manual Feed tray for B410d and B410dn: to feed single sheets, heavy paper stocks, envelopes, other special media and can also be used as manual duplex.
- > Power save mode for energy efficiency.

Additionally, the following optional features are also available:

- > 128 and 256MB RAM DIMM: to extend the main memory of your printer and speed up the processing of large files.
- > Second paper tray: to increase your printer's paper handling capacity by 530 sheets (75g/m²).

USING YOUR PRINTER

To help you get the most from your printer, the manufacturer has provided a variety of supporting materials. A summary of these materials and their purposes is given in the following chapter.

ABOUT THIS MANUAL

This manual is the user's guide (check the Oki Printing Solutions website, www.okiprintingsolutions.com, for the most up-to-date version) for your printer and forms part of the overall user support listed below:

- > **Quick Setup Poster:** easy to follow graphical instructions for quick printer setup.
- > **Setup Guide:** more detailed instructions to unpack, connect, power up your printer, and install software.
- > This **User's Guide:** to help you to operate your printer and make the best use of its many features. Also included are guidelines for troubleshooting and maintenance to ensure that it performs at its best. Additionally, information is provided for adding optional accessories as your printing needs evolve.
- > **Installation Guides:** accompany consumable items and optional accessories to describe how to install them.
- > **Online Help:** online information associated with the printer driver and the Menu Setup Tool (B410n/B410dn) software.

This manual has been written using more than one printer as a model and the illustrations/screenshots reflect this. What you see will be appropriate to the model you are using.

ONLINE USAGE

This manual is intended to be read on screen using an Adobe Acrobat Reader. Use the navigation and viewing tools provided in Acrobat.

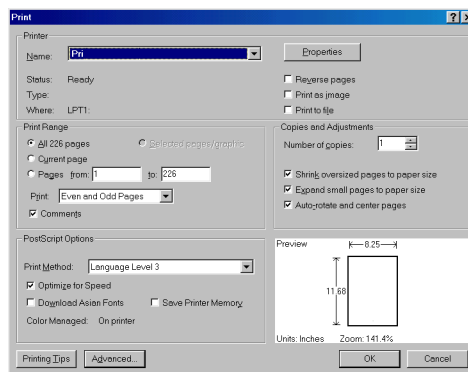
You can access specific information in two ways:

- > In the list of bookmarks down the left hand side of your screen, click on the topic of interest to jump to the required topic. (If the bookmarks are not available, use the Table of Contents.)
- > In the list of bookmarks click on Index to jump to the Index. (If the bookmarks are not available, use the Table of Contents.) Find the term of interest in the alphabetically arranged index and click on the associated page number to jump to the page containing the subject.

PRINTING PAGES

The whole manual, Individual pages, or sections may be printed. The procedure is:

1. From the toolbar, select **File > Print** (or press the Ctrl + P keys).
2. Choose which pages you wish to print:
 - (a) **All pages**, for the entire manual.
 - (b) **Current page** for the page at which you are looking.



(c) **Pages from** and **to** for the range of pages you specify by entering their page numbers.

3. Click **OK**.

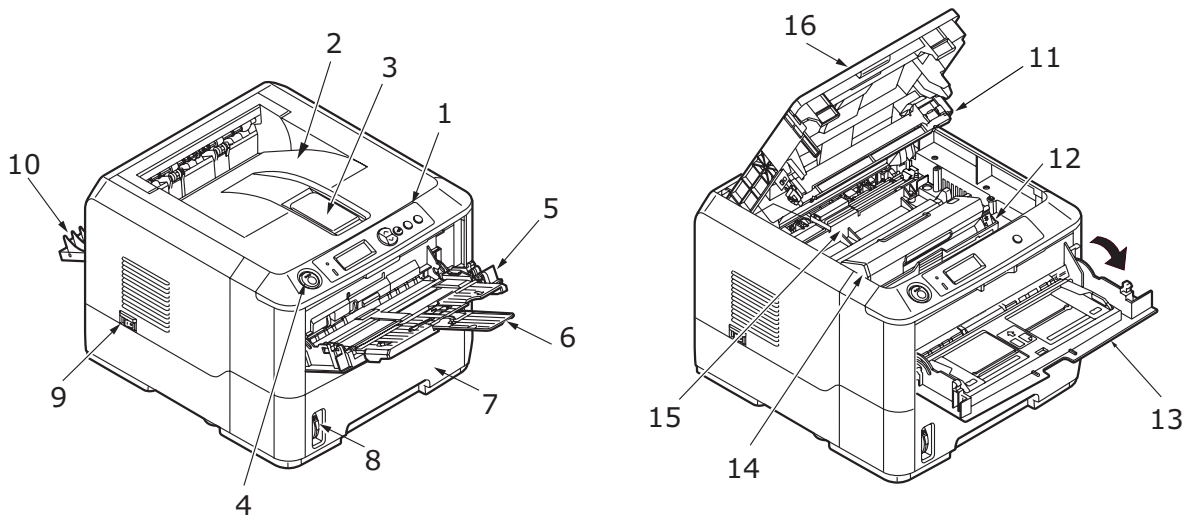
ABBREVIATIONS USED

The following abbreviations are used in this manual:

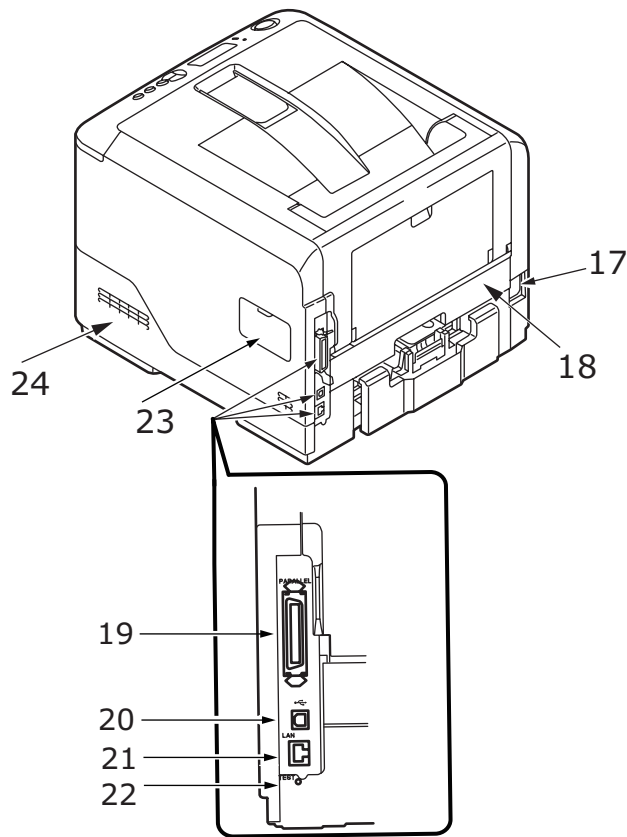
ABBREVIATION	MEANING
Ctrl	Control
dpi	dots per inch
DIMM	Dual In-line Memory Module
d	duplex
n	network card installed
LED	Light Emitting Diode
NIC	Network Interface Card
PCL	Printer Control Language
PS	PostScript (emulation)
PSE	PostScript Emulation
RAM	Random Access Memory

PRINTER COMPONENTS

Apart from the Operator panels, which are described in the next chapter, the B410d/B410dn/B420dn/B430dn printers look similar from the outside. The important components are identified in the representations below.



1. Operator panel (B430dn shown)
2. Output Stacker (150 sheets, face down)
3. Output Stacker extension
4. Top cover release button
5. Multi Purpose Tray (only for B420dn, B430dn.; 50 sheets)(shown in open position)
6. Multi Purpose Tray extension
7. Paper Tray (250 sheets for B410d, B410dn and B420dn, B430dn; 530 sheets for B420dn.)
8. Paper Tray level indicator
9. ON/OFF switch
10. Rear Output cover
11. LED array
12. Image drum
13. Manual Feed Tray (only for B410d, B410dn and B420dn; single sheet feed) (shown in open position)
14. Toner cartridge
15. Fuser unit
16. Top cover



- 17.** Power cable connection
- 18.** Duplex unit
- 19.** Parallel interface connection
- 20.** USB interface connection
- 21.** LAN interface connection (only for B410dn, B420dn and B430dn)
- 22.** Test button (only for B410dn, B420dn and B430dn)
- 23.** Memory panel (to upgrade your printer's memory RAM DIMM)
- 24.** Cooling fan

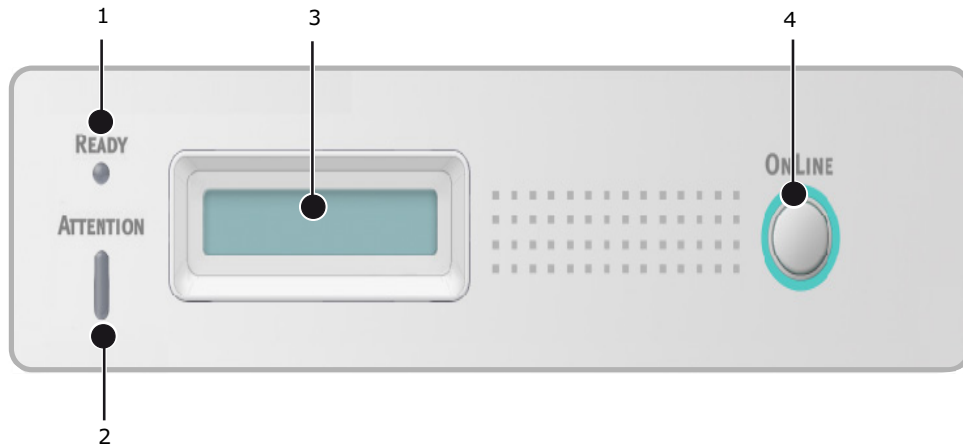
OPERATOR PANELS

This chapter describes the function of the operator panel on your printer. It is useful to describe the **Printer Menu Setup Tool** at this point as it provides the B410d and B410dn, the equivalent of the menu control panel on the B420dn, B430dn (See "[Printer drivers](#)" on [page 37](#) for installation of the Printer Menu Setup Tool.)

B410D AND B410DN

OPERATOR PANEL

The B410d and B410dn operator panel consists of 2 indicating LEDs, an LCD (3) and an **Online** (4) button. The LEDs indicate Ready (1) and Attention (2).



LED INDICATORS

The LED indicators show the status of the printer and have three operating conditions as follows:

- > Indicator off
- > Indicator on
- > Flash

Both LED indicators come on momentarily when power is switched on using the main power switch.

Ready LED (green)

- > Indicator on - the printer is on-line and ready to receive data.
- > Indicator off - the printer is off-line and cannot receive data.

Attention LED (red)

- > Indicator on - this indicates a warning, (e.g. low toner).
- > Indicator off - this indicates normal condition.

The meaning of the indicator LEDs when they flash (x) is summarised as follows:

NOTE

The table below is also applicable for the B420dn and B430dn models.

FLASH TYPE	READY LED (1)	ATTENTION LED (2)	MEANING
Flash	x		The printer is receiving and processing data during printing or the printer is resetting.
		x	There is a printing error, for example, a problem with paper, the cover is open or the paper tray is empty while a job is processing.
	x	x	There is a minor error with the printer, for example, toner is low and the image drum needs to be changed.

LCD

The LCD (3) has two rows of up to 16 alphanumeric digits, displaying print status and error messages.

ONLINE BUTTON

The primary functions of the **Online** button (4) are activated by pressing the switch momentarily and releasing. The primary functions are as follows:

- > Turning the printer off-line.
- > Turning the printer on-line (ready).
- > Resuming printing after page overflow.
- > Interrupting data processing when the printer is receiving and processing data.
- > Resuming data processing.

The secondary functions of the **Online** button are activated after turning the printer off line, then pressing and holding the switch for four seconds before releasing. The secondary functions are as follows:

- > Printing the demo and menu pages.

NOTE

Demo and menu pages can also be printed using the printer's Printer Menu Setup Tool.

- > Printing any data held in the buffer after printing has been cancelled.

The other functions of the **Online** button are activated after turning the printer off line then pressing and holding the switch for seven seconds before releasing. The other functions are as follows:

- > Printing a cleaning page.

NOTE

A cleaning page can also be printed using the printer's Printer Menu Setup tool.

- > Resetting the printer and clearing the buffer after printing has been cancelled.

NOTE

To reset the printer to the default settings of the manufacturer, the **Online** button is pressed and held down while the printer is switched on with the main power switch. The LED indicators blink when the printer has reset to the default settings.

CHANGING LANGUAGE

The default language used by your printer for display messages and for report printing is English. If required, this can be changed to:

German	Danish
French	Dutch
Italian	Turkish
Spanish	Portuguese
Swedish	Polish
Russian	Greek
Finnish	Czech
Hungarian	Norwegian

NOTE

1. The Operator Panel Language Setup Wizard will run automatically when you install the printer driver. Follow the instructions provided by this utility to set your chosen language.
 2. The list above is neither conclusive nor exhaustive.
-

PRINTER MENU SETUP TOOL

After installing the printer driver software onto your computer, the Printer Menu Setup Tool is then automatically installed. See "Printer drivers" on page 37. This Printer Menu Setup Tool is used to control and change the various printer settings.

Using the Printer Menu Setup Tool

Viewing or changing the printer settings are carried out as follows:

Click on **Start > All Programs > Okidata > Printer Menu Setup Tool** and select the Printer Menu Setup Tool.

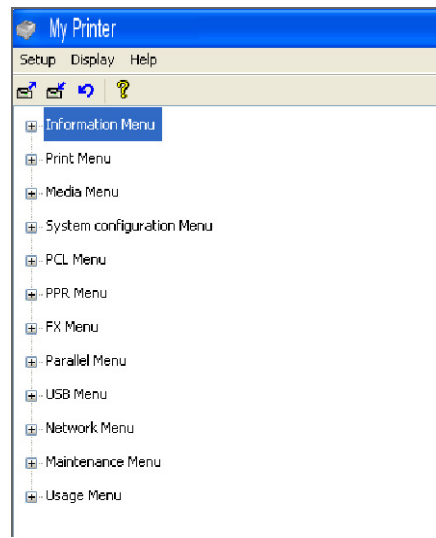
MENU FUNCTIONS

The Printer Menu allows you to view and change the printer's internal settings. You can think of this as the software equivalent of the LCD operator panel.

The settings are grouped into categories or "menus" such as Information Menu or Print Menu.

Some of these settings are similar to those found in your printer driver or application software. The settings that you can change using this software act as the printer's defaults. These can be overridden by the settings in your printer driver or application.

For example, if you have set the number of copies in the Printer Menu settings to one, this will be overridden if you select three copies of your document in the printer driver.



Information menu

This menu provides a quick method of listing various items stored within the printer.

ITEM	ACTION	REMARKS
PRINT MENU MAP	EXECUTE	
NETWORK	EXECUTE	B410dn only
PRINT FILE LIST	EXECUTE	
PRINT PCL FONT	EXECUTE	
PRINT PPR FONT	EXECUTE	
PRINT FX FONT	EXECUTE	
DEMO1	EXECUTE	
PRINT ERROR LOG	EXECUTE	
USAGE REPORT	EXECUTE	Is displayed only when 'USAGE REPORT' is enabled in the Print Statistics Menu

Print menu

This menu provides adjustment of various print job related functions.

ITEM	DEFAULT	REMARKS
COPIES	1	
DUPLEX	OFF	
MANUAL	OFF	
PAPER FEED	TRAY1	
AUTO TRAY SWITCH	ON	
TRAY SEQUENCE	DOWN	
MEDIA CHECK	ENABLE	
RESOLUTION	600DPI	
TONER SAVE MODE	DISABLE	
ORIENTATION	PORTRAIT	
LINES PER PAGE	64 LINES	
EDIT SIZE	CASSETTE SIZE	

Media menu

This menu provides adjustment to suit a wide range of print media.

ITEM	DEFAULT	REMARKS
TRAY1 PAPERSIZE	A4	
TRAY1 MEDIATYPE	PLAIN	
TRAY1 MEDIAWEIGHT	MEDIUM	
TRAY2 PAPERSIZE	A4	When Tray2 is installed
TRAY2 MEDIATYPE	PLAIN	When Tray2 is installed
TRAY2 MEDIAWEIGHT	MEDIUM	When Tray2 is installed
MN PAPERSIZE	A4	
MN MEDIATYPE	PLAIN	
MN MEDIAWEIGHT	MEDIUM	
UNIT OF MEASURE	MILLIMETER	
X DIMENSION	210 MILLIMETER	
Y DIMENSION	297 MILLIMETER	

System configuration menu

This menu adjusts general printer settings to suit the way you prefer to work.

ITEM	DEFAULT	REMARKS
POW SAVE TIME	10 MIN	
PERSONALITY	AUTO EMULATION	
CLRABLE WARNING	ONLINE	
AUTO CONTINUE	ON	
MANUAL TIMEOUT	60 SEC	
TIMEOUT INJOB	40 SEC	
TIMEOUT LOCAL	40 SEC	
TIMEOUT NET	90 SEC	B410dn only
LOW TONER	CONTINUE	
JAM RECOVERY	ON	
ERROR REPORT	OFF	

PCL Emulation

This menu controls the printer's PCL emulation.

ITEM	DEFAULT	REMARKS
FONT SOURCE	RESIDENT	
FONT NO.	I0	
FONT PITCH	10.00 CPI	
SYMBOL SET	PC-8	
A4 PRINT WIDTH	78 COLUMN	
WHITE PAGE SKIP	OFF	
CR FUNCTION	CR	
LF FUNCTION	LF	
PRINT MARGIN	NORMAL	
PEN WIDTH ADJUST	ON	
TRAY ID#		
PCL MNID	2	
PCL T0ID	4	
PCL T1ID	1	
PCL T2ID	5	When Tray2 is installed

PPR Emulation

This menu controls the printer's PPR emulation.

ITEM	DEFAULT	REMARKS
CHARACTER PITCH	10 CPI	
FONT CONDENSE	12CPI TO 20CPI	
CHARACTER SET	SET-2	
SYMBOL SET	IBM-437	
LETTER O STYLE	DISABLE	
ZERO CHARACTER	NORMAL	
LINE PITCH	6 LPI	
WHITE PAGE SKIP	OFF	
CR FUNCTION	CR	
LF FUNCTION	LF	
LINE LENGTH	80 COLUMN	
FORM LENGTH	11.7 INCH	
TOF POSITION	0.0 INCH	
LEFT MARGIN	0.0 INCH	
FIT TO LETTER	DISABLE	
TEXT HEIGHT	SAME	

FX Emulation

This menu controls the printer's FX emulation.

ITEM	DEFAULT	REMARKS
CHARACTER PITCH	10 CPI	
CHARACTER SET	SET-2	
SYMBOL SET	IBM-437	
LETTER O STYLE	DISABLE	
ZERO CHARACTER	NORMAL	
LINE PITCH	6 LPI	
WHITE PAGE SKIP	OFF	
CR FUNCTION	CR	
LINE LENGTH	80 COLUMN	
FORM LENGTH	11.7 INCH	
TOF POSITION	0.0 INCH	
LEFT MARGIN	0.0 INCH	
FIT TO LETTER	DISABLE	
TEXT HEIGHT	SAME	

Parallel menu

This menu controls the operation of the printer's parallel data interface.

ITEM	DEFAULT	REMARKS
PARALLEL	ENABLE	
BI-DIRECTION	ENABLE	
ECP	ENABLE	
ACK WIDTH	NARROW	
ACK/BUSY TIMING	ACK IN BUSY	
I-PRIME	3 MICRO SEC	

USB menu

This menu controls the operation of the printer's USB data interface.

ITEM	DEFAULT	REMARKS
USB	ENABLE	
SOFT RESET	ENABLE	
SPEED	480 Mbps	
SERIAL NUMBER	ENABLE	

Network menu

This menu controls the operation of the printer's 10Base-T/100Base-TX network interface.

NOTE
This is applicable to the B410dn model.

ITEM	DEFAULT	REMARKS
TCP/IP	ENABLE	
IP VERSION	IPv4	
NETBEUI	ENABLE	
NETWARE	ENABLE	
ETHERTALK	ENABLE	
FRAMETYPE	AUTO	
IP ADDRESS SET	AUTO	
IP ADDRESS	xxx.xxx.xxx.xxx	
SUBNET MASK	xxx.xxx.xxx.xxx	
GATEWAY ADDRESS	xxx.xxx.xxx.xxx	
WEB	ENABLE	
TELNET	DISABLE	
FTP	DISABLE	
SNMP	ENABLE	
NETWORK SCALE	NORMAL	

ITEM	DEFAULT	REMARKS
HUB LINK SETTING	AUTO NEGOTIATE	
FACTORY DEFAULTS	EXECUTE	

Print Statistics menu

This menu provides information on the number of A4/Letter pages printed and allows you to reset the counter.

ITEM	DEFAULT	REMARKS
USAGE REPORT	ENABLE	
RESET COUNTER	EXECUTE	
GROUP COUNTER	DISABLE	
CHANGE PASSWORD		Enter the new password

Maintenance menu

This menu provides access to various printer maintenance functions.

ITEM	DEFAULT	REMARKS
MENU RESET	EXECUTE	
SAVE MENU	EXECUTE	
POWER SAVE	ENABLE	
PAPER BLACK SET	0	
DARKNESS	0	
CLEANING	EXECUTE	
RESTORE MENU	EXECUTE	Displayed in Menu when Menu settings have been stored.

Usage menu

This menu is for information only, and provides an indication of total usage of the printer and the expected life left in its consumable items. This is particularly useful if you do not have a full set of replacement consumables to hand and you need to know how soon you will need them.

ITEM	DEFAULT	REMARKS
DRUM LIFE	REMAINING%	An indication of the remaining drum life.
TONER	REMAINING%	An indication of how much toner is left in the cartridge.

PRINTING MENU SETTINGS

The menu settings can be printed as a menu map as follows.

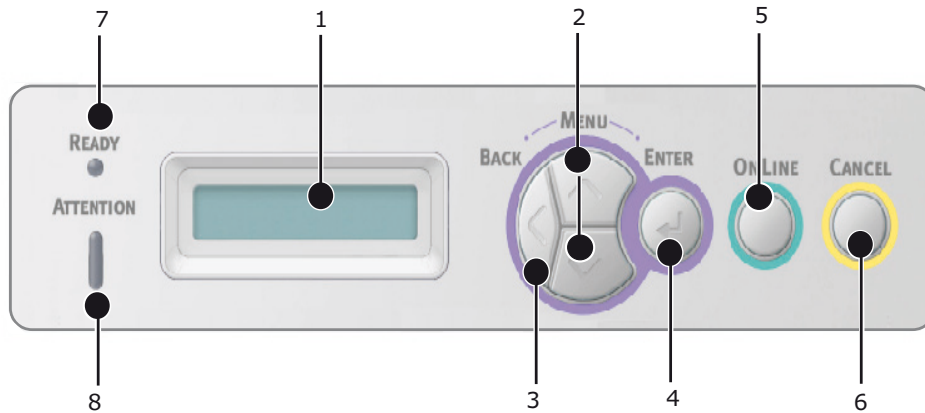
Using the Online button

1. Press the **Online** button to take the printer off-line.
2. Press and hold down the **Online** button for at least four seconds, but less than seven seconds.
3. The printer prints a list of the menu settings and a demo print page. See ["Online button" on page 12.](#)

Using the Printer Menu Setup Tool

1. Select **Start > All Programs > Okidata > Printer Menu Setup Tool.**
The Printer Menu is displayed.
2. Expand the Information Menu.
3. To print a demo page or Menu Map, select either **Demo1** or **Print Menu Map** and click **Execute.**

B420DN, B430DN,



OPERATOR PANEL

The B420dn, B430dn operator panel consists of a menu driven control panel, an LCD display and two LED indicators.

PANEL ELEMENTS

- 1. Liquid crystal display.** (LCD) panel. Two rows of up to 16 alphanumeric digits displaying print status, menu items in menu mode and error messages.
- 2. Menu Scroll Buttons.** Press briefly to enter the **MENU** mode. Press briefly again to select the next menu. Press for more than 2 seconds to scroll through the different menus.
- 3. Back button.** Press briefly to return to the previous higher level menu item or exit the menu when in **MENU** mode.
- 4. Enter button.** In the **ONLINE** or **OFFLINE** mode: press this briefly to enter the **MENU** mode. In the **MENU** mode: press this briefly to select the menu or setting indicated on the LCD.

NOTE

When pressed with **DATA** displayed (press and hold for five seconds), it forces the printer to print out the remaining data in the printer.

- 5. Online button.** Press to switch between **ONLINE** and **OFFLINE** status. Press to exit the menu and displays **ONLINE**, when in the **MENU** mode.

NOTE

When pressed in Menu mode, the Online button returns the printer to **ONLINE** status. Also when there is an error indicating wrong paper size, pressing the Online button forces the printer to print.

- 6. Cancel button.** When printing press to cancel a print job. Press to exit the **MENU** mode and go **ONLINE**, when in the **MENU** mode.
- 7. Ready indicator (green).** **ON** indicates ready to receive data. **FLASHING** indicates processing data. **OFF** indicates Offline.
- 8. Attention indicator (red).** **ON** indicates a warning (e.g. low toner). **FLASHING** indicates an error, (e.g. toner empty). **OFF** indicates normal condition.

MENU FUNCTIONS

The Printer Menu allows you to view and change the printer's internal settings.

The settings are grouped into categories or "menus" such as Information Menu or Print Menu.

Some of these settings are similar to those found in your printer driver or application software. The settings that you can change using this software act as the printer's defaults. These can be overridden by the settings in your printer driver or application.

For example, if you have set the number of copies in the Printer Menu settings to one, this will be overridden if you select three copies of your document in the printer driver.

Factory default settings are shown in the following tables.

Information menu

This menu provides a quick method of listing various items stored within the printer.

ITEM	ACTION	REMARKS
PRINT MENU MAP	EXECUTE	
NETWORK	EXECUTE	
PRINT FILE LIST	EXECUTE	
PRINT PCL FONT	EXECUTE	
PRINT PSE FONT	EXECUTE	
PRINT PPR FONT	EXECUTE	
PRINT FX FONT	EXECUTE	
DEMO 1	EXECUTE	
PRINT ERROR LOG	EXECUTE	
USAGE REPORT	EXECUTE	Is displayed only when 'USAGE REPORT' is enabled in the Print Statistics Menu

Shutdown menu

This menu shuts down the printer.

ITEM	ACTION	REMARKS
SHUTDOWN START	EXECUTE	

Print menu

This menu provides adjustment of various print job related functions.

ITEM	DEFAULT	REMARKS
COPIES	1	
DUPLEX	OFF	
PAPER FEED	TRAY1	
AUTO TRAY SWITCH	ON	
TRAY SEQUENCE	DOWN	

ITEM	DEFAULT	REMARKS
MP TRAY USAGE	DO NOT USE	
MEDIA CHECK	ENABLE	
RESOLUTION	1200DPI	
TONER SAVE MODE	DISABLE	
ORIENTATION	PORTRAIT	
LINES PER PAGE	64 LINES	
EDIT SIZE	CASSETTE SIZE	

Media Menu

This menu provides adjustment to suit a wide range of print media.

ITEM	DEFAULT	REMARKS
TRAY 1 PAPERSIZE	A4	
TRAY 1 MEDIATYPE	PLAIN	
TRAY 1 MEDIAWEIGHT	MEDIUM	
TRAY2 PAPERSIZE	A4	When tray 2 is installed
TRAY2 MEDIATYPE	PLAIN	When tray 2 is installed
TRAY2 MEDIAWEIGHT	MEDIUM	When tray 2 is installed
MPT PAPERSIZE	A4	
MPT MEDIATYPE	PLAIN	
MPT MEDIAWEIGHT	MEDIUM	
UNIT OF MEASURE	MILLIMETER	
X DIMENSION	210 MILLIMETER	
Y DIMENSION	297 MILLIMETER	

System configuration menu

This menu adjusts general printer settings to suit the way you prefer to work.

ITEM	DEFAULT	REMARKS
POW SAVE TIME	10 MIN	
PERSONALITY	AUTO EMULATION	
PARA PS-PROTOCOL	ASCII	
USB PS-PROTOCOL	RAW	
NET PS-PROTOCOL	RAW	B430dn only
CLRABLE WARNING	ONLINE	
AUTO CONTINUE	OFF	
MANUAL TIMEOUT	60 SEC	
TIMEOUT INJOB	40 SEC	
TIMEOUT LOCAL	40 SEC	

ITEM	DEFAULT	REMARKS
TIMEOUT NET	90 SEC	B430dn only
LOW TONER	CONTINUE	
JAM RECOVERY	ON	
ERROR REPORT	OFF	
START UP	OFF	

PCL emulation

This menu controls the printer's PCL emulation.

ITEM	DEFAULT	REMARKS
FONT SOURCE	RESIDENT	
FONT NO.	I0	
FONT PITCH	10.00 CPI	
SYMBOL SET	PC-8	
A4 PRINT WIDTH	78 COLUMN	
WHITE PAGE SKIP	OFF	
CR FUNCTION	CR	
LF FUNCTION	LF	
PRINT MARGIN	NORMAL	
PEN WIDTH ADJUST	ON	
TRAY ID#		
PCL T0ID	4	
PCL T1ID	1	
PCL T2ID	5	When Tray2 is installed

PPR Emulation

This menu controls the printer's PPR emulation.

ITEM	DEFAULT	REMARKS
CHARACTER PITCH	10 CPI	
FONT CONDENSE	12 CPI to 20 CPI	
CHARACTER SET	SET-2	
SYMBOL SET	IBM-437	
LETTER O STYLE	DISABLE	
ZERO CHARACTER	NORMAL	
LINE PITCH	6 LPI	
WHITE PAGE SKIP	OFF	
CR FUNCTION	CR	
LF FUNCTION	LF	

ITEM	DEFAULT	REMARKS
LINE LENGTH	80 COLUMN	
FORM LENGTH	11.7 INCH	
TOF POSITION	0.0 INCH	
LEFT MARGIN	0.0 INCH	
FIT TO LETTER	DISABLE	
TEXT HEIGHT	SAME	

FX Emulation

This menu controls the printer's FX emulation.

ITEM	DEFAULT	REMARKS
CHARACTER PITCH	10 CPI	
CHARACTER SET	SET-2	
SYMBOL SET	IBM-437	
LETTER O STYLE	DISABLE	
ZERO CHARACTER	NORMAL	
LINE PITCH	6 LPI	
WHITE PAGE SKIP	OFF	
CR FUNCTION	CR	
LINE LENGTH	80 COLUMN	
FORM LENGTH	11.7 INCH	
TOF POSITION	0.0 INCH	
LEFT MARGIN	0.0 INCH	
FIT TO LETTER	DISABLE	
TEXT HEIGHT	SAME	

Parallel menu

This menu controls the operation of the printer's parallel data interface.

ITEM	DEFAULT	REMARKS
PARALLEL	ENABLE	
BI-DIRECTION	ENABLE	
ECP	ENABLE	
ACK WIDTH	NARROW	
ACK/BUSY TIMING	ACK IN BUSY	
I-PRIME	DISABLE	
OFFLINE RECEIVE	DISABLE	

USB menu

This menu controls the operation of the printer's USB data interface.

ITEM	DEFAULT	REMARKS
USB	ENABLE	
SOFT RESET	DISABLE	
SPEED	480Mbps	
OFFLINE RECEIVE	DISABLE	
SERIAL NUMBER	ENABLE	

Network menu

This menu controls the operation of the printer's 10Base-T/100Base-TX network interface.

ITEM	DEFAULT	REMARKS
TCP/IP	ENABLE	
IP VERSION	IPv4	
NETBEUI	ENABLE	
NETWARE	ENABLE	
ETHERTALK	ENABLE	
FRAMETYPE	AUTO	
IP ADDRESS SET	AUTO	
IP ADDRESS	xxx.xxx.xxx.xxx	
SUBNET MASK	xxx.xxx.xxx.xxx	
GATEWAY ADDRESS	xxx.xxx.xxx.xxx	
WEB	ENABLE	
TELNET	DISABLE	
FTP	DISABLE	
SNMP	ENABLE	
NETWORK SCALE	NORMAL	
HUB LINK SETTING	AUTO NEGOTIATE	
FACTORY DEFAULTS	EXECUTE	

Print Statistics menu

This menu provides information on the number of A4/Letter pages printed and allows you to reset the counter.

ITEM	DEFAULT	REMARKS
USAGE REPORT	ENABLE	
RESET COUNTER	EXECUTE	
GROUP COUNTER	DISABLE	
CHANGE PASSWORD		Enter the new password.

Maintenance menu

This menu provides access to various printer maintenance functions.

ITEM	DEFAULT	REMARKS
MENU RESET	EXECUTE	
SAVE MENU	EXECUTE	
POWER SAVE	ENABLE	
PAPER BLACK SET	0	
DARKNESS	0	
CLEANING	EXECUTE	
RESTORE MENU	EXECUTE	Displayed in Menu when Menu settings have been stored.








Usage menu

This menu is for information only, and provides an indication of total usage of the printer and the expected life left in its consumable items. This is particularly useful if you do not have a full set of replacement consumables to hand and you need to know how soon you will need them.

ITEM	DEFAULT	REMARKS
DRUM LIFE	REMAINING%	An indication of the remaining drum life.
TONER	REMAINING%	An indication of how much toner is left in the cartridge.

PRINTING MENU SETTINGS

Current menu settings can be confirmed by printing a Menu Map, using the control panel.

1. Press the **Menu**  or  button until the INFORMATION MENU is available, then press  button.
2. Press the  or  button until the display prompts you to print the menu map.
3. Press the  button to print the menu map.
4. Press the **Cancel** or **Online** or the  button repeatedly to exit the MENU mode.

PAPER RECOMMENDATIONS

For guidance on the media you can use with your printer, which input tray and which ejection method to use, see the section entitled "Paper and tray information" in the "Specifications" chapter.

NOTE

The reference to Manual Feed Tray is for the B410d and B410dn models and the Multi Purpose Tray is for the B420dn and B430dn models.

PAPER AND ENVELOPE TYPES

The manufacturer of this printer recommends the following guidelines when selecting paper and envelopes for use in your printer:

- > Paper and envelopes should be stored flat and away from moisture, direct sunlight and heat sources.
- > Use a smooth finished paper such as copier or laser type paper with a Sheffield (smoothness) rating of 250 or less. If in doubt, please ask your paper supplier.
- > Use paper and envelopes that are designed for use in laser type printers.
- > The use of heavily laid or textured paper will seriously impact on the life of the image drum.
- > Do not use very smooth, shiny/glossy paper.
- > Do not use heavily embossed headed paper.
- > Do not use specially treated papers such as carbon paper, non-carbon paper, thermal paper and impact paper.
- > Avoid using paper with perforations, cut-outs and ragged edges.
- > Do not use envelopes with windows or metal clasps.
- > Do not use envelopes with self sealing flaps.
- > Avoid using damaged or curled envelopes.

TRANSPARENCIES AND ADHESIVE LABELS

The manufacturer of this printer recommends the following guidelines when selecting transparencies and adhesive labels for use in your printer:

- > Always manually feed single sheets using a Manual Feed Tray or Multi Purpose Tray.
- > Always use rear output.
- > Media must be designed for use in laser printers or photocopiers and must be able to withstand 200°C for 0.1 sec.
- > Do not use media designed for use in colour laser printers and photocopiers.
- > Labels should cover entire carrier sheet.
- > Carrier sheet or adhesive must not be exposed to any part of the printer.

POSTCARDS

The manufacturer of this printer recommends the following guidelines when selecting postcards for use in your printer:

- > Always manually feed single postcards using the Manual Feed Tray or Multi Purpose Tray, depending on your printer model.
- > Use unfolded double postcards.
- > Use postcards designed for use in laser type printers
- > Do not use postcards used for ink jet printers.
- > Do not use stamped or picture postcards.

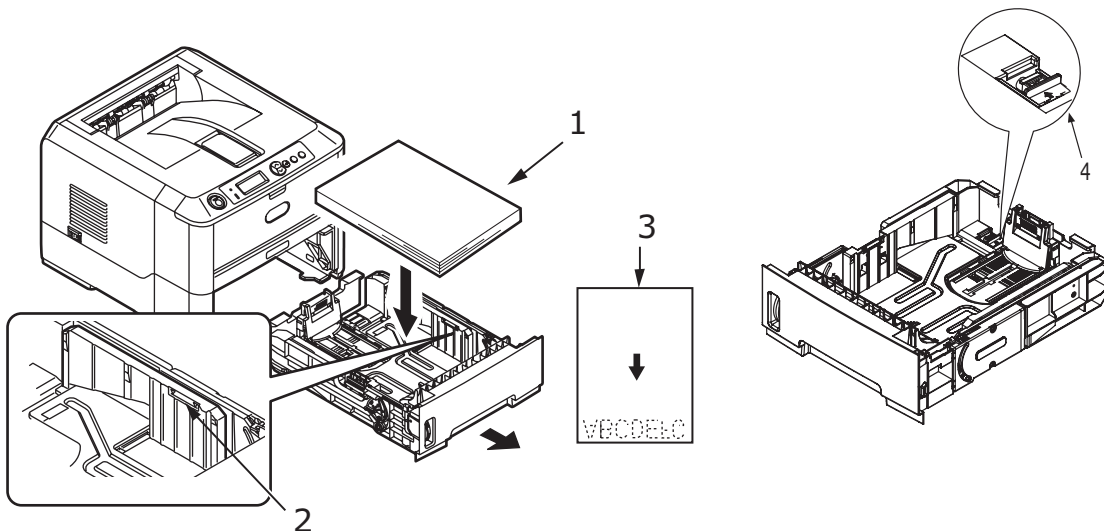
INSTALLING PAPER

PAPER TRAY

NOTE

If you are topping up the paper in a paper tray, it is recommended that you remove the remaining paper from the tray first then add the new paper stock followed by the paper you removed. This ensures that the oldest paper is used first to help prevent paper jams.

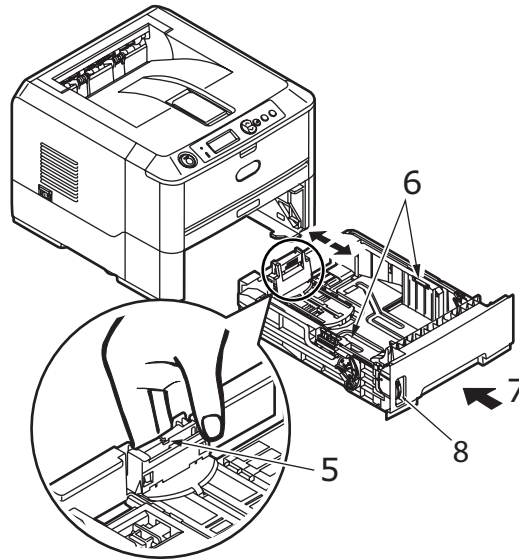
1. Remove the paper tray from the bottom of the printer and place plain paper (1) in the tray, keeping the level of the paper in the tray below the paper full guide arrowheads shown on the paper guides (2). For loading A4 or Legal size paper, push the lever (4) in the arrow direction and extend the paper tray using the rear paper support (5).



NOTE

Load letter headed paper face down and top edge towards the front of the paper tray (3).

2. Adjust the rear paper support (5) to the size of paper you are using by gripping the lugs, tilting and sliding the support forwards or backwards as necessary.



3. Adjust the paper guides (5). It is important to adjust the paper guides correctly to ensure that the paper is not skewed in the print process. Paper jams may occur if this operation is not carried out correctly.
4. Replace the tray in the printer (7). The paper level indicator (8) provides a visual indication of how much paper is left in the tray.

NOTE

If you have the optional second paper tray (Tray 2) and you are printing from the first (upper) tray (Tray 1), you can pull out the second (lower) tray to reload it. However, if printing from the second (lower) tray, do not pull out the first (upper) tray as this will result in a paper jam.

Face up and face down printing

For face down printing, make sure the Rear cover is closed (the paper exits from the top of the printer). The Output Stacker on the top of the printer stacks printed pages face down, capacity 150 sheets of weight 75g/m². Pages printed in reading order (page 1 first) will be sorted in reading order (last page on top, facing down).

For face up printing, make sure the Rear cover is open. In this condition, paper will exit via this path, regardless of driver settings.

Always use this tray in conjunction with the Manual Feed Tray, Multi Purpose Tray or for heavyweight stocks to reduce the possibility of paper jams.

See ["Paper and tray information" on page 81](#).

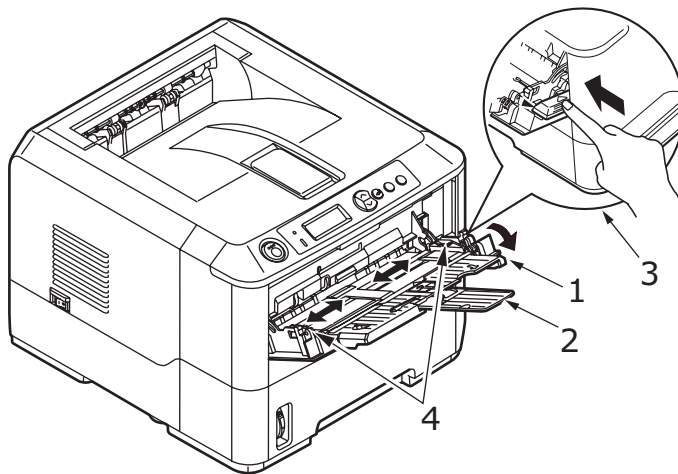
Automatic feed sequence

With no optional feed trays installed, the Autotray function in the Print Menu is set by default to ON and the Tray sequence function is set to DOWN. In this way, if a tray runs out of paper, automatic feed will take place in the order Tray 1, Tray 2 (if fitted), Multi Purpose Tray or the Manual Feed Tray, provided that these trays are set up for identical media. Also, configure the media size and media weight for the respective trays in the operator panel or Printer Menu Setup tool, depending on your printer model.

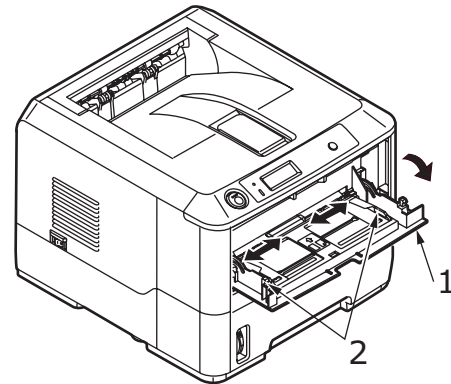
MULTI PURPOSE TRAY AND MANUAL FEED TRAY

1. **B420, B320:** Pull down the Multi Purpose Tray (1), fold out the paper supports (2), and adjust the paper guides to the width of the paper (4).

B410: Pull down the Manual Feed Tray (1), and adjust the paper guides (2) to the width of the paper.



B420/B430



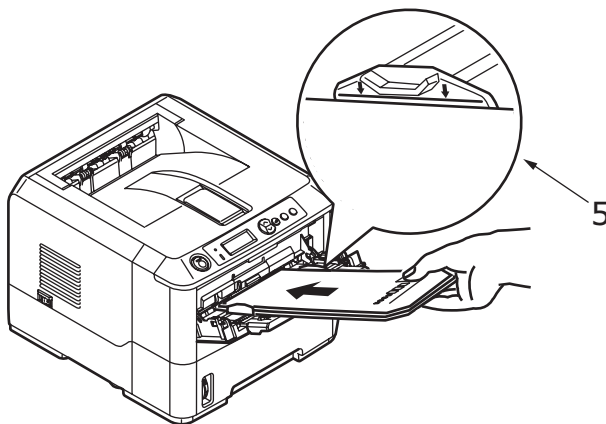
B410

2. **B420, B430:** Load the paper into the Multi Purpose Tray and push the set button (3). Ensure that the paper is loaded below the arrow level (5) to avoid paper jam.

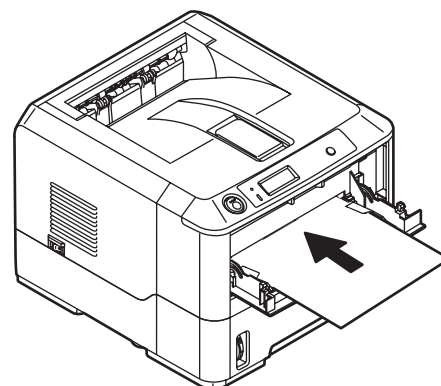
NOTE

Do not exceed the paper capacity of approximately 50 sheets or 10 envelopes depending on the media weight.

B410: Load single sheet at a time into the Manual Feed Tray.



B420/B430



B410

- > For single-sided printing on headed paper load the paper with the pre-printed side up and top edge into the printer.
- > For two-sided (duplex) printing on headed paper, load the paper with the pre-printed side down and top edge away from the printer.

- > Envelopes should be loaded flap down, face up with the top edge to the left and short edge into the printer.

NOTE

Do not select Duplex printing on envelopes.

- > Load Transparencies face up and top edge into the printer.
 - > For heavyweight paper or cardstock open the rear output cover to collect the printed output. This will give the paper a nearly straight path through the machine, avoiding paper jams and damage to the paper.
- 3. B420, B430:** If required, set the media size and orientation in the media menu using the control panel, then issue the print command.
- B410:** If required, set the media size and orientation in the Printer Menu Setup tool, then issue the print command.

CAUTION!

Damage to the printer may occur if the incorrect paper setting is used when printing on a different media.

NOTE

- > You can also set the media type in your printer driver. However, the printer driver settings will override the settings on the control panel or Printer Menu Setup Tool.
 - > Remember to reset the printer for normal paper after printing on a different media.
-

PAPER FEED, SIZE AND MEDIA SETTING

The process used to fuse (fix) the printed image to the paper involves a mixture of pressure and heat. Too much heat will cause lightweight paper to crease or curl and corrugations in transparencies. Too little heat will cause the image not to fuse fully into heavyweight paper.

NOTE

Although media properties can be set in the printer driver for particular jobs, when filling a tray with media it is recommended that you manually set the printer to match the media as described here.

B410D AND B410DN

You can change the media type as follows:

1. Start the Printer Menu Setup tool.
2. Click **Media Menu**.
3. Click on the paper tray being used. Adjust the media type to the required setting and, if necessary, the paper size to the size of the paper being used.
4. Click on the **Setup** tab and click **Apply the changed settings**, then **OK** to set the printer to the new media type.

B420DN, B430DN

Using the control panel on your printer, you can choose:








- > which paper to use
- > the size of the paper you wish to use
- > the weight of the paper (thickness)
- > the type of paper

NOTE

- > If the settings in the printer differ from those selected on your computer, the printer will not print and the LCD will display an error message.
 - > The following printer settings are given as a guide only. Some software applications require the paper feed, size and media settings to be selected from within the application (page setup).
 - > Although media properties can be set in the printer driver for particular jobs, it is recommended that when filling a tray with media you manually set the printer to match the media as described here.
-

Paper feed selection

The paper feed, paper size, paper weight and media type can be set manually on the printer using the control panel as follows.

1. Press the **Menu**  or  button repeatedly until PRINT MENU is displayed, then press the  button.
2. Press the  or  button until the required paper feed is displayed.
3. Press the  button. An asterisk (*) appears next to the selected paper feed.
4. Press the **Cancel** or **Online** or the  button repeatedly to exit the MENU mode.

NOTE







When the AUTO TRAY SWITCH is set to ON and more than one paper tray is fitted, paper feed automatically switches to the next available paper tray, providing non-stop printing.


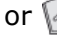


Paper size

Set the paper size as follows.

NOTE

- > When using paper trays, standard paper sizes are recognised automatically with CASSETTE SIZE (default setting) selected. Paper size need only be set for custom paper sizes.
 - > When using the Multi Purpose Tray, the paper size has to be selected.
-

1. Press the **Menu**  or  button until PRINT MENU is displayed, then press  button.
2. Press either  or  button repeatedly until EDIT SIZE is displayed, then press  button.








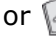


3. Press either  or  button until the required paper size is displayed, then press the  button. An asterisk (*) appears next to the selected paper size.
4. Press the **Cancel** or **Online** or the  button repeatedly to exit the MENU mode.
5. Select the correct paper settings in the printer driver before printing the file.

Media type and weight

Set media type and weight as follows:

CAUTION!

If media type or media weight are not correctly set, print quality deteriorates and the fuser roller may be damaged.

1. Press the **Menu**  or  button until MEDIA MENU is displayed, then press the  button.
2. Press the  or  button until MEDIA TYPE or MEDIA WEIGHT for the required tray is displayed, then press  button.
3. Press the  or  button until the required paper type or weight is displayed, then press the  button. An asterisk (*) appears next to the selected paper type or weight.
4. Press the **Cancel** or **Online** or the  button repeatedly to exit the MENU mode.
5. Select the correct paper settings in the printer driver before printing the file.

INTERFACES

Your printer is equipped with a selection of data interfaces:

1. **Parallel** – For direct connection to a PC. This port requires a bi-directional (IEEE 1284 compliant) parallel cable.
2. **USB** – For connection to a PC running Windows 2000 or later or Mac OS X or later. This port requires a cable conforming to USB version 2.0 or above.

The operation of a printer is not assured if a USB compatible device is connected concurrently with other USB-compatible machines.

When connecting multiple printers of the same type, they appear as ***** (1), ***** (2), ***** (3), etc. These numbers depend on the order of connecting or turning on each printer.

3. **LAN** – For network cable connection. This port is standard on the B410dn, B420dn and B430dn.

NOTE

- > *It is not recommended that you connect serial/USB and parallel cables to the printer simultaneously.*
 - > *Interface cables are not supplied with your printer.*
-

If you are connecting your printer directly to a stand alone computer proceed to the chapter entitled "Printer Drivers".

If your printer is to be installed as a network printer, please refer to the relevant section in the User's Guide for the network interface card for further details on how to configure the network connection before installing the printer drivers.

NOTE

Administrator's authority is required when installing a network connection.

PRINTER DRIVERS

This chapter describes how to install a printer driver on two types of operating system – Windows and Macintosh.

The printer drivers are all contained on the printer driver CD-ROM (CD1). Please refer to the readme file on this CD for the latest information on printer driver installation.

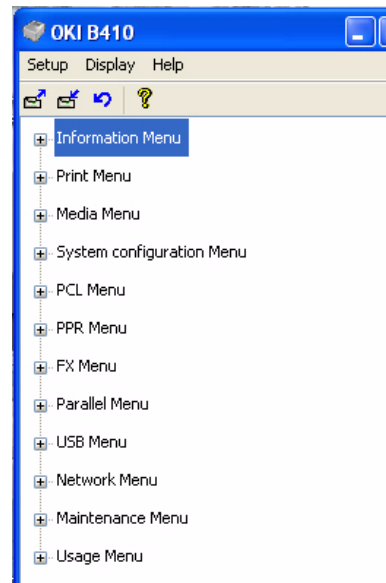
WINDOWS OPERATING SYSTEMS

1. With Windows running, insert the printer driver CD-ROM (CD1) into your CD-ROM drive.
2. If the CD does not run automatically, use Start > Run... and enter E:\setup (where E is your CD-ROM drive) in the Open field.
3. Click on **OK**.
4. Select your printer model.
5. Click on Driver Installation > Install Printer Driver and follow the on-screen prompts to complete your printer driver installation.

NOTE

Take time to note the facilities available on the CD. For example, the Help facility briefly describes each of the Software Utilities.

6. For the B410d and B410dn only, once the driver has been installed, the **Printer Menu Setup tool** (at right) is then automatically installed and the operator panel language switching utility will run automatically.
7. For the B420dn and B430dn, once the driver has been installed, the operator panel language switching utility will run automatically. Choose your preferred operating language. See ["Changing language" on page 13](#).



INSTALLED OPTIONS

Certain options may have been installed in your printer. For those that are installed, check that they appear enabled on the Menu Map.

Ensure that your options are set up in the printer driver(s) by making the appropriate settings on the Device Options tab (PCL emulation) and/or Device Settings tab (PS emulation) described in the chapter entitled "Operation".

MACINTOSH OPERATING SYSTEMS

Please refer to the readme file on the CD for details on installing the appropriate Macintosh drivers.

INSTALLED OPTIONS

Ensure that any installed options are enabled in the printer driver.

CHOOSING A MAC DRIVER

The B410d, B410dn and B420dn models allow you to use only a PCL Mac driver. The B430dn models can also use a PS driver on Macintosh operating systems.

OPERATION

This chapter provides a broad outline of how to operate your printer from either a Windows or a Macintosh environment. In the former, while PCL emulation is available on all printer models, PS emulation is available on the B430dn models.

PRINTER SETTINGS IN WINDOWS

NOTE

The illustrations in this guide relate to Windows XP PCL and PS emulations – other operating system windows may appear slightly different but the principles are the same.

The operator panel controlled menus and Printer Menu Setup Tool (described in the chapter entitled “Operator panels”) provide access to many options.

The Windows printer driver also contains settings for many of these items. Where items in the printer driver are the same as those in the operator panel and Printer Menu Setup Tool menus, and you print documents from Windows, the settings in the Windows printer driver will override those settings in the operator panel and Printer Menu Setup Tool menus.

PRINTING PREFERENCES IN WINDOWS APPLICATIONS

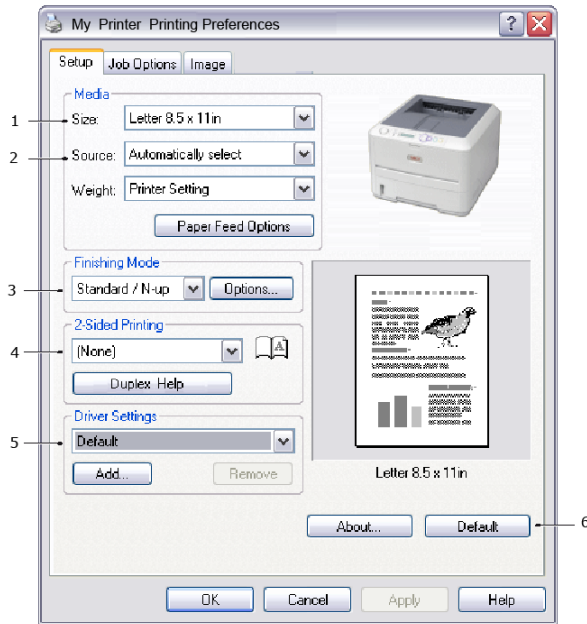
When you choose to print your document from a Windows application program a Print dialogue box appears. This dialogue usually specifies the name of the printer on which you will print your document. Next to the printer name is a **Properties** button.

When you click **Properties** a new window opens which contains a short list of the printer settings available in the driver, which you can choose for this document. The settings available from within your application are only those which you may want to change for specific applications or documents. Settings you change here will usually only last for as long as the particular application program is running.

PCL EMULATION

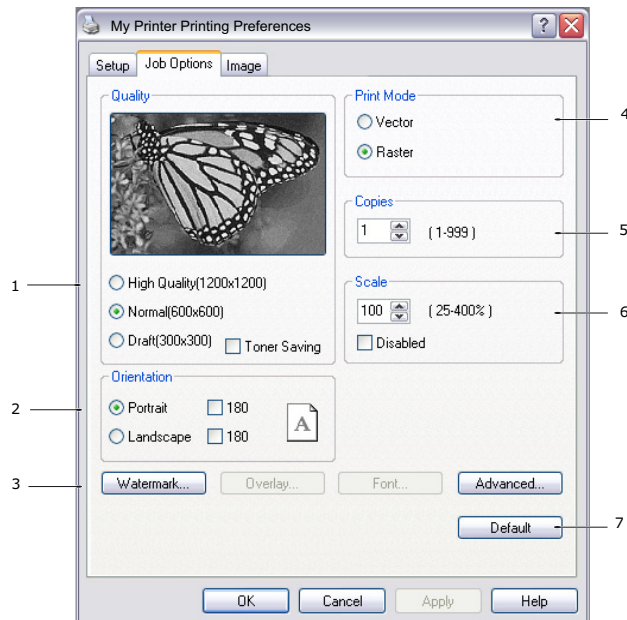
The tabs available are the **Setup Tab**, the **Job Options Tab** and the **Image Tab**.

Setup tab



1. Paper size should be the same as the page size of your document (unless you wish to scale the printout to fit another size), and should also be the same as the size of paper you will feed into the printer.
2. You can choose the source of the paper to feed, which may be Tray 1 (the standard paper tray), Manual Feed Tray (B410d and B410dn), Tray 2 (if you have the optional second paper tray installed) or the Multi Purpose Tray (B420dn, B430dn). You can also click on the appropriate part of the screen graphic to select your preferred tray.
3. A variety of document finishing options can be selected, such as normal one page per sheet, or N-up (where N can be 2 or 4) for printing scaled down pages at more than one page per sheet.
4. Under 2-sided Printing, you can choose from auto or manual. Under manual 2-sided Printing you can choose to print on one side of a sheet only or to use 2-sided printing (duplex printing). Your printer allows you to carry out manual duplex printing, meaning you must pass the paper through the printer twice. For more information, see ["2-sided printing" on page 50](#). The Duplex Help button also offers guidelines on how to carry out manual duplex printing.
5. If you have changed some printing preferences before and saved them as a set, you can recall them to avoid having to set them individually each time you need them.
6. A single on-screen button restores the default settings.

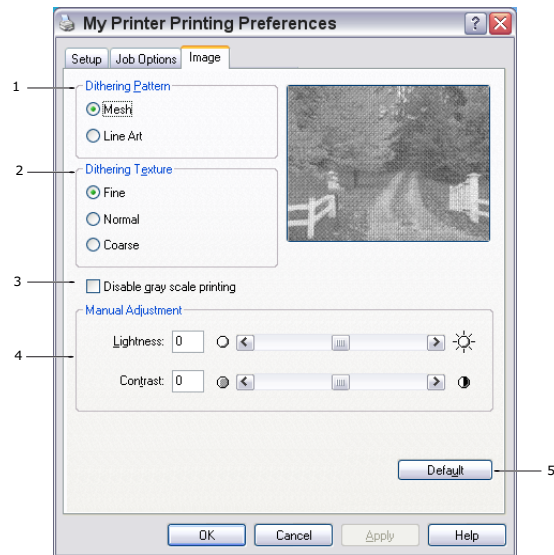
Job options tab



1. The output resolution of the printed page can be set as follows.
 - > The ProQ1200 setting for B410d and B410dn prints at 2400 x 600dpi. This setting requires the most printer memory and takes the longest to print. Your printed pages can be scaled to fit larger or smaller stationery. It is the best option for printing photographs.
 - > The High Quality setting prints at 1200 x 600dpi for B410d, B410dn and B420dn, and 1200 x 1200dpi for B430dn and is the best option for printing vector objects such as graphics and text.
 - > The Normal setting prints at 600 x 600dpi and is suitable for most printing jobs.
 - > The Draft setting prints at 300 x 300dpi and is suitable for printing draft documents that contain mainly text. You can select Toner Saving to save toner for some print jobs.
2. Page orientation can be set to either portrait (tall) or landscape (wide). Both views can be rotated by 180 degrees.
3. You can print watermark text behind the main page image. This is useful for marking documents as draft, confidential, etc.

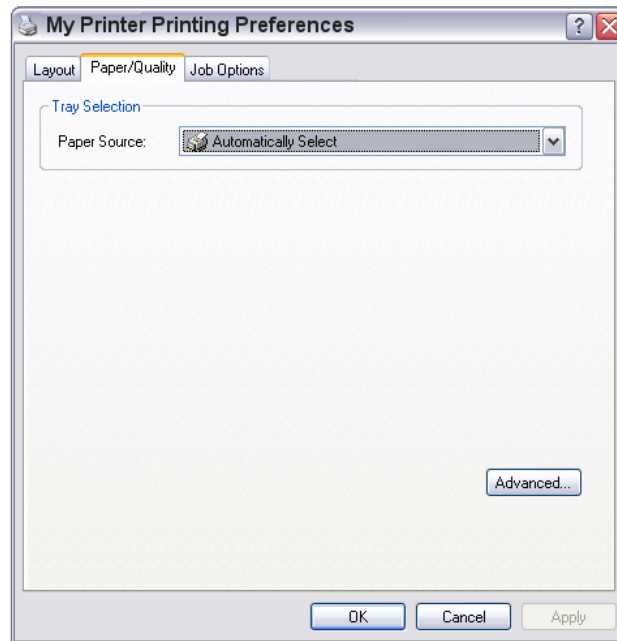
If you would like to print on special stationery, such as forms and letterhead, but do not want to use pre-printed stationery, you can create your own using Overlays (for B430dn). For more information on Overlays and Macros refer to ["Overlays and Macros \(Windows only\)"](#) on page 55. The Overlays button also offers guidelines on how to carry out manual duplex printing.
4. In Raster (bitmap) mode, processing of the page image is done in the computer leaving little processing for the printer to do, although the file size may be large. In Vector mode, file sizes may be smaller and so transmission over a network, for example, may be faster. These effects are more pronounced for graphics printing than for text printing.
5. You can select up to 999 copies to print consecutively, although you will need to top up the paper tray during such a long print run.
6. Your printed pages can be scaled to fit larger or smaller stationery, within a range of 25% to 400% of the original size.
7. A single on-screen button restores the default settings.

Image tab



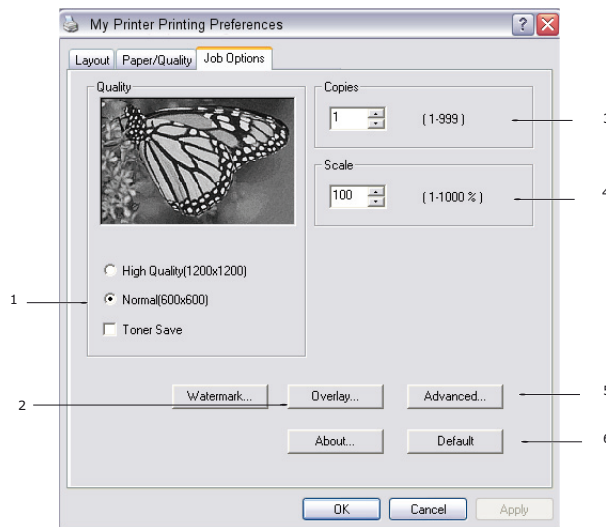
1. Dithering produces an intermediate greyscale by adjusting the combination of dots used in printing. Selecting a setting determines the degree of detail with which a graphics image will be printed. Mesh determines that a screen of dots is used for dithering while Line Art determines that an array of lines is used for dithering.
2. Select dithering texture by setting the size of dots used in the halftone screen.
3. Set this control to print greyscale effects in black without dithering. Select the check-box to disable greyscale printing or de-select the check-box to enable greyscale printing.
4. You can manually adjust lightness (the higher the setting the lighter the print) and contrast (the higher the setting the greater the contrast).
5. A single on-screen button restores the default settings.

Paper/Quality tab



You can set the paper source or leave it as automatic selection and by using the **Advanced** button you have access to the same set of options as described above for the Layout Tab.

Job options tab



1. The output resolution of the printed page can be set as follows.
 - > The ProQ1200 for B410d and B410dn setting prints at 2400 x 600dpi. This setting requires the most printer memory and takes the longest to print. It is the best option for printing photographs.
 - > The High Quality setting prints at 1200 x 600dpi for B410d, B410dn and B420dn, and 1200 x 1200dpi for B430dn and is the best option for printing vector objects such as graphics and text.
 - > The Normal setting prints at 600 x 600dpi and is suitable for most printing jobs. You can select Toner Saving to save toner for some print jobs.

2. You can print watermark text behind the main page image. This is useful for marking documents as draft, confidential, etc.

If you would like to print on special stationery, such as forms and letterhead, but do not want to use pre-printed stationery, you can create your own using Overlays (for B430dn). For more information on Overlays and Macros, refer to ["Overlays and Macros \(Windows only\)" on page 55](#). The Overlays button also offers guidelines on how to carry out manual duplex printing.

3. You can select up to 999 copies to print consecutively, although you will need to top up the paper tray during such a long print run.
4. Your printed pages can be scaled to fit larger or smaller stationery.
5. Using the **Advanced** button gives you access to the facility to set mirror image printing and negative image printing.
6. A single on-screen button restores the default settings.

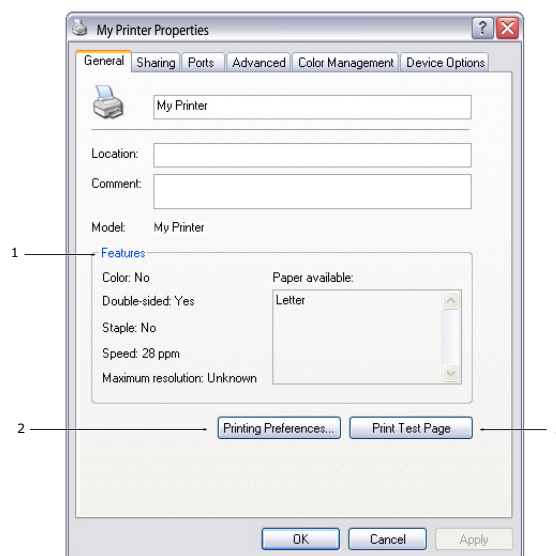
SETTING FROM WINDOWS CONTROL PANEL

When you open the driver properties window directly from Windows, rather than from within an application program, a somewhat more extensive range of settings is provided. Changes made here will generally affect all documents you print from Windows applications, and will be remembered from one Windows session to the next.

PCL emulation

The main tabs are the **General Tab**, **Advanced Tab** and **Device Options Tab**.

General tab

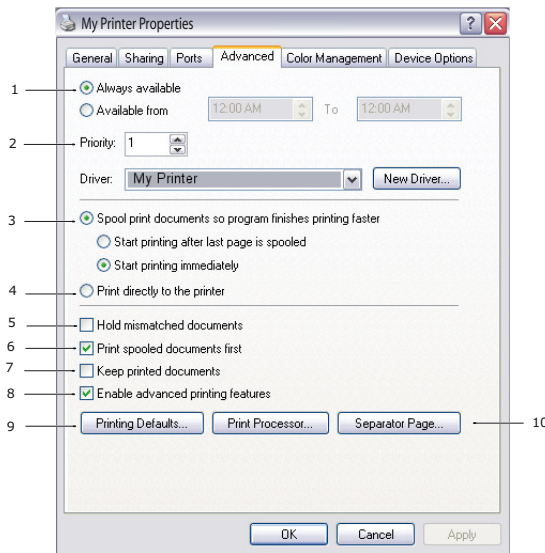


1. This area lists some of the main features of your printer, including optional items.
2. This button opens the same windows as described earlier for items which can be set from within application programs. Changes you make here, however, will become the new default settings for all Windows applications.
3. This button prints a test page to ensure that your printer is working.

NOTE

The above features are provided by the Windows XP operating system and will vary with other operating systems.

Advanced tab



1. You can specify which times of day your printer will be available.
2. Indicates current priority, from 1 (lowest) to 99 (highest). Highest priority documents will print first.
3. Specifies that documents should be spooled (stored in a special print file) before being printed. The document is then printed in the background, allowing your application program to become available more quickly. Options follow:

This specifies that printing should not start until the last page has been spooled. If your application program needs a lot of time for further computation in the middle of printing, causing the print job to pause for more than a short period, the printer could prematurely assume that the document has finished. Selecting this option would prevent that situation, but printing will be completed a little later, as the start is delayed.

This is the opposite choice to the one above. Printing starts as soon as possible after the document begins spooling.
4. This specifies that the document should not be spooled, but printed directly. Your application will not normally be ready for further use until the print job is complete. This requires less disk space on your computer, since there is no spool file.
5. Directs the spooler to check the document setup and match it to the printer setup before sending the document to print. If a mismatch is detected, the document is held in the print queue and does not print until the printer setup is changed and the document restarted from the print queue. Mismatched documents in the queue will not prevent correctly matched documents from printing.
6. Specifies that the spooler should favour documents which have completed spooling when deciding which document to print next, even if completed documents are lower priority than documents which are still spooling. If no documents have completed spooling, the spooler will favour larger spooling documents over shorter ones. Use this option if you want to maximise printer efficiency. When this option is disabled the spooler chooses documents based only on their priority settings.
7. Specifies that the spooler should not delete documents after they are completed. This allows documents to be re submitted to the printer from the spooler instead of printing again from the application program. If you use this option frequently it will require large amounts of disk space on your computer.
8. Specifies whether advanced features, such as pages per sheet, are available, depending on your printer. For normal printing keep this option enabled. If

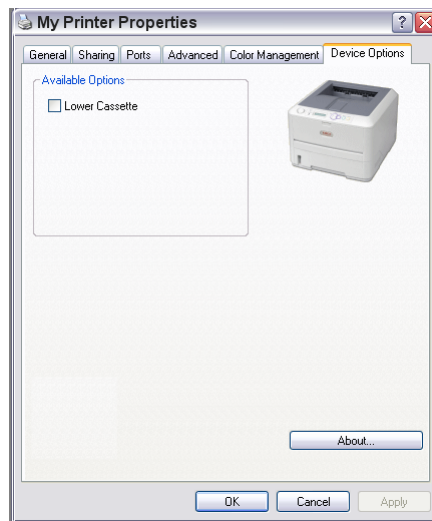
compatibility problems occur you can disable the feature. However, these advanced options may then not be available, even though the hardware might support them.

9. This button provides access to the same setup windows as when printing from applications. Changes made via the Windows Control Panel become the Windows default settings.
10. You can design and specify a separator page that prints between documents. This is particularly useful on a shared printer to help each user find their own documents in the output stack.

NOTE

The above features are provided by the Windows XP operating system and will vary with other operating systems.

Device options tab

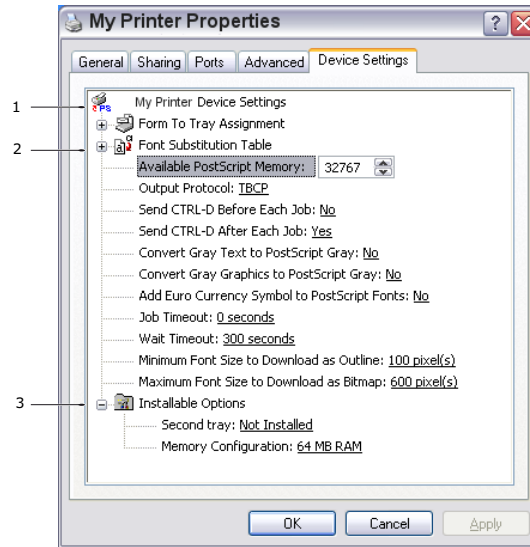


In this window you can select which optional upgrades are installed on your printer. See the chapter entitled "Installing options".

PS emulation (B430dn)

The main tabs are the **General Tab**, **Advanced Tab** and **Device Settings Tab**. The General and Advanced tabs are the same as for PCL emulation described earlier.

Device settings tab



1. You can set the desired paper sizes in each of the available paper feed trays.
2. You can make a variety of font settings depending on your application.
3. You can set which optional upgrades are installed on your printer. See the chapter entitled "Installing options".

PRINTER SETTINGS IN MACINTOSH

Refer to the readme file on the driver CD and the online help provided in the driver software.

POWER SAVING MODE

Power Saving sets how long the printer waits before going into standby mode. In standby mode your printer's energy consumption is reduced. You can specify the length of time before a printer enters power saving mode by setting a larger value.

NOTE

The printer's Power Save mode default setting is Enabled, 10 minutes.

CHANGING THE LENGTH OF TIME BEFORE ENTERING POWER SAVING MODE










B410d and B410dn

Use the Menu Setup Tool

1. Select Start > Programs > Oki Data > OKI B410 printer Menu Setup Tool > Printer Menu Setup Tool.
2. Double-click **System Configuration Menu** then select **Power Save Time**.
3. Click on the drop-down menu and select the desired power save time (1 to 240 minutes).
4. Click **Setup** > **Apply the Changed Setting**. The setting change is completed when a message dialog box appears saying " The setting has been applied to the printer."
5. Click **OK**.

B420dn and B430dn

Use the Printer Menu via the Operator Panel

1. Press the **Menu**  or  button until **System Configuration Menu** appears. Press .
2. Press  or  until **Power Save Time** appears. Press .
3. Press  or  until the desired setting appears (1 to 240 minutes). Press . An asterisk (*) will appear to confirm the selection.
4. Press **Online**.

DISABLING POWER SAVING MODE










B410d and B410dn

Use the Menu Setup Tool

1. Select Start > Programs > Oki Data > OKI B410 printer Menu Setup Tool > Printer Menu Setup Tool.
2. Double-click **Maintenance Menu** then click **Power Save Mode**.
3. Click on the drop-down menu and select **Disable**.
4. Click **Setup** > **Apply the Changed Setting**. The setting change is completed when a message dialog box appears saying " The setting has been applied to the printer."
5. Click **OK**.

B420dn and B430dn

Use the Printer Menu via the Operator Panel

1. Press the **Menu**  or  button until **Maintenance Menu** appears. Press .
2. Press  or  until **Power Save** appears. Press .
3. Press  or  until **Disable** appears. Press . An asterisk (*) will appear to confirm the selection.
4. Press **Online**.

2-SIDED PRINTING

The duplex unit adds the function of two-sided printing, using less paper and making large documents easier to handle. It also enables booklet printing, which uses even less paper.

This printer has the option of Auto Duplex and Manual Duplex printing.

NOTE

The steps in the process relate to Windows XP PCL. Other operating system windows may appear slightly different, but the principles are the same.

AUTO DUPLEX PRINTING

This option provides automatic two-sided printing only for Letter, A4, Legal 13 and 14 and Custom paper sizes, using paper stocks from 60 - 105g/m² (16 - 28 lb).

NOTE

For A4, A5, A6, B5, Letter, Legal 13 and 14, Statement, Executive and Custom paper sizes, using paper stocks from 60 - 124g/m², see Manual Duplex Printing page 51.

To carry out Auto Duplex Printing:

1. Select **File -> Print** and click the **Properties** button.
2. Select the input tray: **Tray1** (or optional Tray2), or **Manual Feed Tray** (B410d and B410dn), or **Multi Purpose Tray** (B420dn, B430dn) from the **Source** drop down.
3. In the **2-Sided Printing** drop down menu, select either **Long Edge (Auto)** or **Short Edge (Auto)** according to your printing preferences.
4. Click the **OK** button.



NOTE

If you require further information, click the Duplex Help button.

MANUAL DUPLEX PRINTING USING THE PAPER TRAY (WINDOWS ONLY)

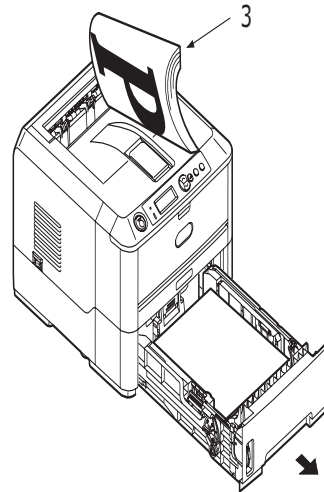
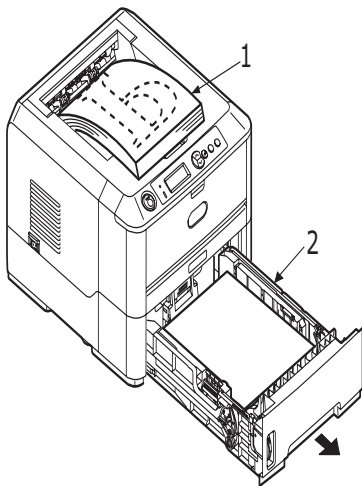
NOTE

Manual Duplex printing is available only for Windows PCL Driver.

You cannot use A6 paper size for printing from Tray 1 or Tray 2 (option).

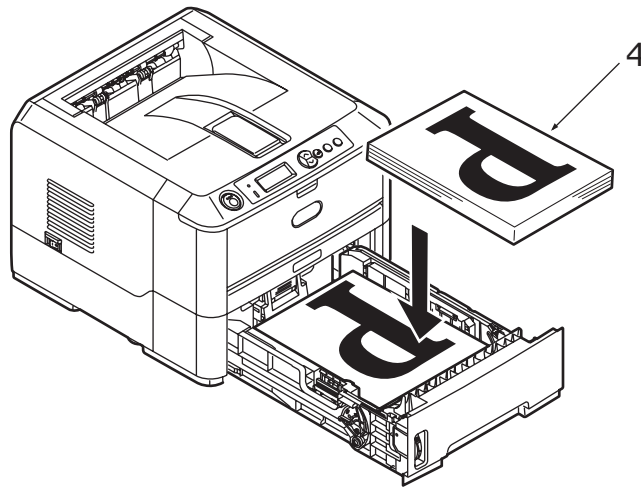
To carry out 2-sided, or Manual Duplex Printing you must pass paper through the printer twice.

1. Ensure that there is enough paper in the Paper Tray to carry out the print job.
2. Select **File -> Print** and click the **Properties** button.
3. Select the **Tray1** from the **Source** drop down.
4. In the **2-Sided Printing** drop down menu, select either **Long Edge (Manual)** or **Short Edge (Manual)** according to your printing preferences. Click **OK**.
If you require further information, click the **Duplex Help** button.
5. Then, click the **OK** button.
6. Every second page (1) of your document is printed first. When this is complete, a message appears on the display panel prompting you to take the paper, flip it and replace it in the Paper Tray.



7. Open the Paper Tray (2).

8. Take the printed paper from the Output Stacker (3) and place it in the Paper Tray, ensuring that the printed side is facing up and the bottom of the page facing into the printer (4).



9. Close the Paper Tray and press the **Online** button. The message window should disappear from your screen and the document finishes printing the remaining pages of your document.

NOTE

You must press the Online button to start the printing for other side. The default time is set to one minute, failing which, the data is deleted and not printed.

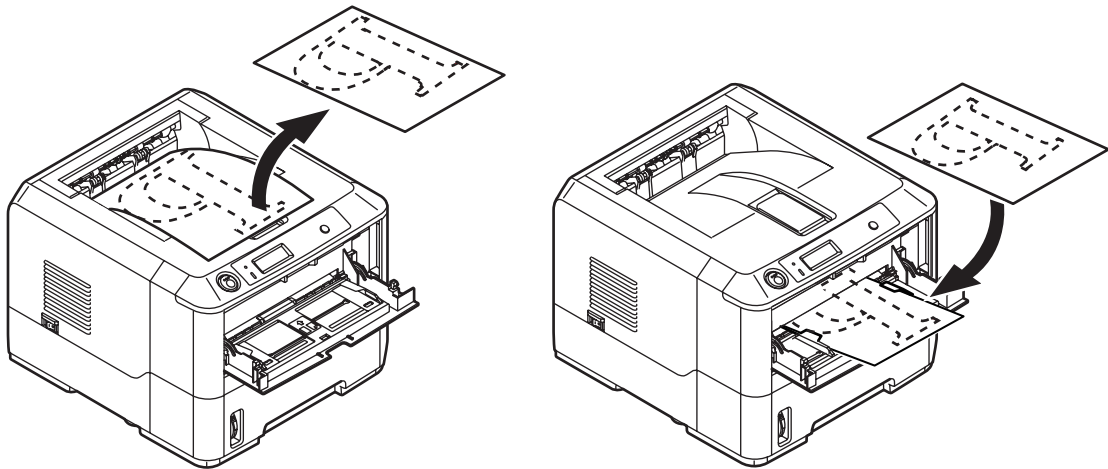
MANUAL DUPLEX PRINTING USING THE MANUAL FEED TRAY (B410D AND B410DN) OR THE MULTI-PURPOSE TRAY (B420DN AND B430DN)

NOTE

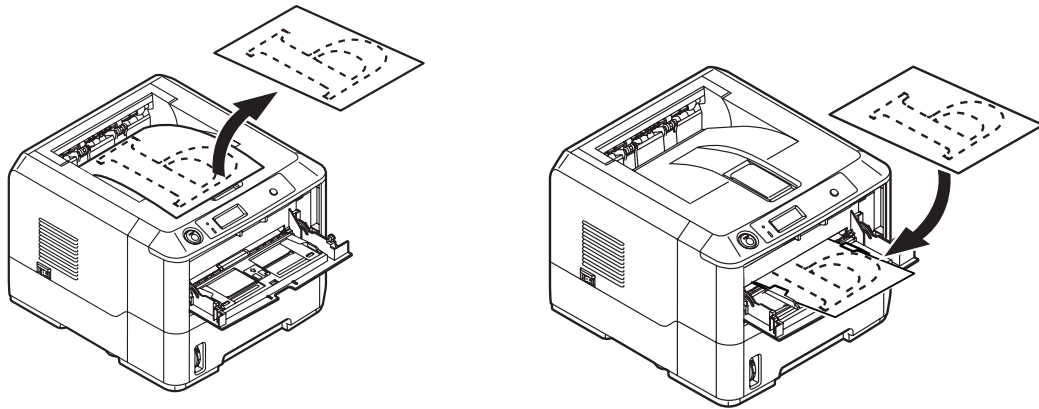
You can use A4, A5, A6, B5, Letter, Legal 13 and 14, Statement, Executive and Custom paper sizes, using paper stocks from 60 - 124g/m².

1. Position the paper guides on the Manual Feed Tray or Multi-Purpose Tray according to the paper size.
2. Place paper (one sheet at a time for B410 models) in the Manual Feed Tray or up to 50 sheets in the Multi-Purpose Tray (B420dn and B430dn). The paper is automatically gripped in position.
3. Select **File -> Print** to display the Print dialog box.
4. Click the **Properties** button.
5. Select **Manual Feed Tray** (B410 models), **or Multi-Purpose Tray** (B420DN and B430DN) from the Source drop down.
6. On the 2-sided printing drop down menu, select either **Long Edge (Manual)** or **Short Edge (Manual)** according to your printing preferences. Click **OK**.
When every second page has printed, take the paper from the output stacker.
7. Set the paper one page at a time in the B410 Manual Feed Tray (or the entire stack in the B420dn and B430dn Multi-Purpose Feeder) with the printed side facing down and the top of the page facing into the printer. Ensure that the paper is gripped in place.

LONG EDGE.



SHORT EDGE.



8. Press the **Online** button. The remaining page(s) of your document print on the blank side of the paper, one sheet at a time as you feed it into the B410 Manual Feed Tray or the stack of pages from the Multi-Purpose Feeder (B420 and B430).

OVERLAYS AND MACROS (WINDOWS ONLY)

WHAT ARE OVERLAYS AND MACROS?

If you would like to print on special stationery, such as forms and letterhead, but do not want to use pre-printed stationery, you can create your own using these advanced features.

You can use PostScript overlays to generate all your special stationery and store it in the printer for use whenever you need it. If you have chosen to install the PCL driver, macros perform a similar function.

You can create several overlays or macros, and combine them in any way you like to produce a variety of forms and other special stationery. Each image can be printed on just the first page of a document, on all pages, on alternate pages, or just the pages that you specify.

CREATING POSTSCRIPT OVERLAYS

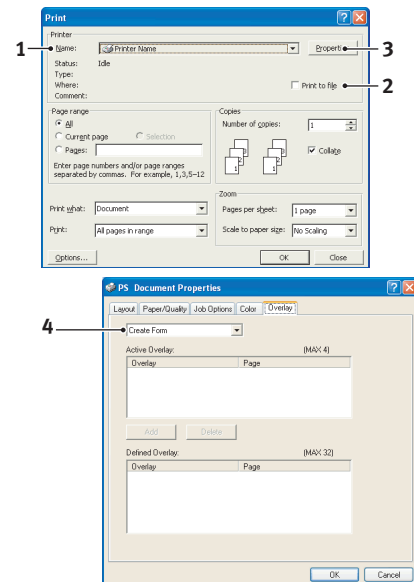
Three steps are required to create an overlay:

1. Create the form data using your own application software and print it to a printer (.PRN) file.
2. Use the Storage Device Manager utility software supplied on CD with your printer to create a "project file," import the .PRN file(s), and download the generated filter (.HST) file to the printer. The project file will contain one or more overlay images which are functionally related, such as the cover page and the continuation page images for business letters.
3. Use downloaded files to define your overlays ready for use when printing your documents.

When printing overlay files to disk, do not select any special features, such as two-sided printing or multiple copies. These are not appropriate to overlays, they apply only to your final documents.

CREATING THE OVERLAY IMAGE

1. Use your preferred application, perhaps a graphics program, to create the required overlay image and save it.
2. Open your application's **Print...** dialogue.
3. Make sure that the selected printer name (1) is that of your PostScript printer driver.
4. Select the **Print To File** (2) option.
5. Click the **Properties** button (3) to open the Document Properties window.
6. On the Overlay tab, choose **Create Form** from the drop-down list (4).
7. Click **OK** to close the Document Properties window.
8. Click **OK** again to close the Print dialogue.
9. When prompted for a print file name, enter a meaningful name with the extension .PRN.
10. Close your application.



CREATE AND DOWNLOAD THE PROJECT

1. From the Windows **Start** menu, start **Storage Device Manager** (SDM) and allow SDM to discover the printer.
2. Choose **Projects**→**New Project**.
3. Choose **Projects**→**Add File to Project**.
4. Set the **Files of Type** drop-down list to **PRN Files (*.prn)**.
5. Navigate to the folder where the .PRN files are stored and select one or more of these to include in your overlay set.

You can have more than one printer (.PRN) file in a project. For example, one for top pages and another for continuation pages. Use standard Windows techniques (Shift or Ctrl keys) to select multiple files simultaneously if you need to.

6. Click **Open** to add these files to the current project.
7. When a message box appears confirming that a filter file has been created, click **OK** to clear the message.
8. The project window will display one.HST file for each printer file added. Make a careful note of each of these names. Ensure that you note them *exactly* as they appear, they are case sensitive, and you will need them later.
9. Choose **Projects**→**Save Project** and enter a meaningful name (e.g. "Letter Stationery") so that you can recognise it later if you want to modify it.
10. Choose **Projects**→**Send Project Files to Printer** to download the project to the printer.

If you have a hard disk in the printer, SDM will automatically download files to it. If not, SDM will download files to flash memory. If you have a hard disk but still prefer to download to flash memory, double-click the file name in the Project window and under **Volume**, type in **%Flash0%** and then click **OK**.

11. When the message "Command Issued" appears confirming that the download is complete, click **OK** to clear the message.

TEST PRINTING THE OVERLAY

1. Click on the printer icon for the relevant printer and choose **Printers**→**Test Form**.
2. In the Test PostScript Form window, to test each overlay select it and click **OK**. There will be a short pause while the printer processes the form, and then it will print.
3. When each overlay has been tested, click **Exit**.
4. Click the standard Windows **Close (X)** button, or choose **Projects**→**Exit** to close Storage Device Manager.

DEFINING OVERLAYS

This is the final step before the new overlays are ready for use.

1. Open the Printers (called "Printers and Faxes" in Windows XP) window via the **Start** menu or the Windows Control Panel.
2. Right-click on the Relevant PostScript printer icon and choose **Printing Preferences** from the pop-up menu.
3. On the **Overlay** tab, click the **New** button.

CREATING PCL OVERLAYS

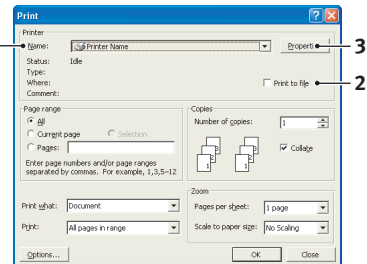
Three steps are required to create an overlay:

1. Create the form data using your own application software and print it to a printer (.PRN) file.
2. Use the Storage Device Manager utility software supplied on CD with your printer to create a "project file," import the .PRN file, and download the generated filter (.BIN) files to the printer.
3. Use downloaded files to define your overlay ready for use with any future document.

When printing files to disk, do not select any special features, such as two-sided printing or multiple copies. These are not appropriate to macros, they apply only to your final documents.

CREATING THE OVERLAY IMAGE

1. Use your preferred application, perhaps a graphics program, to create the required image and save it.
2. Open your application's **Print...** dialogue.
3. Make sure that the selected printer name (1) is that of your PCL printer driver.
4. Select the **Print To File** (2) option.
5. When prompted for a print file name, enter a meaningful name with the extension .PRN .
6. Close your application.



CREATE AND DOWNLOAD MACROS

1. From the Windows **Start** menu, start **Storage Device Manager** (SDM) and allow SDM to discover the printer.
2. Choose **Projects**→**New Project** to start a new project.
3. Choose **Projects**→**Filter Macro File**. The Filter Printer Patterns dialogue box appears. Make any adjustments in the settings that you need and then click **OK**.

Example: If you create a black oval in MS Paint and leave all the colour command filters checked, the black oval will print as a black rectangle when the overlay is used. To maintain the oval shape, turn off (deselect) the "Configure Image Data," "Palette ID" and "Palette Control" filters.

4. Set the **Files of Type** drop-down list to **PRN Files(*.prn)**.
5. Navigate to the folder where the overlay .PRN files are stored and select one or more of these to include in your overlay set.

You can have more than one macro file in a project. For example, one for top pages and another for continuation pages. Use standard Windows techniques (Shift or Ctrl keys) to select multiple files simultaneously if you need to.

6. Click **Open** to add these files to the current project. (You can also drag and drop files from Windows Explorer directly into the project window if you prefer.) When a message box appears confirming that a filter file has been created, click **OK** to clear the message.
7. The project window will display one .BIN file for each printer file added. Make a careful note of the name and ID number for each of the files. You will need them later.

The new overlays will now appear in the Defined Overlays list in the printer properties window.

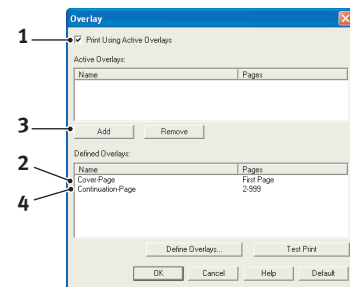
6. When done, click **OK** to close the printing preferences window.

Your new overlays are now ready and available to be used for any future documents you wish.

PRINTING WITH PCL OVERLAYS

Once you have defined your overlays you are ready to use them for any documents you wish. The example illustrated here uses two overlays for business letters. The first prints on just the top page, and the second prints on any or all subsequent pages.

1. Prepare your document in the normal way using your own application software. Remember, if necessary, to format the document so that it will fit nicely within the plain areas on your letterhead overlay.
2. Open your application's **Print...** dialogue and choose any options you will require, ensuring that the target printer is your PCL printer driver in which the overlays have been defined.
3. Click the **Properties** button to open the Printing Preferences window.
4. On the Overlay tab, check the **Use active overlays** checkbox (1).
5. In the Defined Overlays list, click on the first overlay (2) you wish to use, and click the **Add** button (3) to add it to the Active Overlays list. (If you want a reminder of how this overlay looks, click the **Test Print** button.)
6. If you want to use another overlay with this document, in this example it is the "Continuation Page" overlay, click this overlay (4) in the list of defined overlays, and then click the **Add** button (3) again to add the second overlay to the list of active overlays.
7. When the list of active overlays contains all the items you want to use, click **OK**.
8. Finally, click the **Print** button in your application's Print dialogue to begin printing your document.



CONSUMABLES AND MAINTENANCE

This section deals with the replacement of the toner cartridge and image drum and general maintenance.

CONSUMABLE ORDER DETAILS

ITEM	LIFE	ORDER NO.
Toner, 3.5K: B410d/B410dn/B420dn/B430dn	3500 Letter/A4 @ 5% ISO/IEC19752	43979101
Toner, 7K: B420dn, B430dn	7,000 Letter/A4 @ 5% ISO/IEC19752	43979201
Toner, 10K: B420dn	10,000 Letter/A4 @5% ISO/IEC19752	43979206
Image drum	25,000 Letter/A4 pages	43979001

Please always use genuine consumables.

TONER CARTRIDGE LIFE

How long your toner cartridge lasts depends on the print density; the percentage of the page that prints black. A typical letter has 3% to 5% print density; graphics usually have higher density. Higher print density means toner is used up faster. At 5% print density, a standard toner cartridge will print an average of 3500 pages. Remember, this is only an average: actual results may vary.

The first toner cartridge installed in a new printer has to fill the image drum reservoir and saturate the developing roller with toner. The toner cartridge that is supplied with this printer normally produces about 1,500 pages after installation.

WHEN TO REPLACE THE TONER CARTRIDGE

When the toner is running low, TONER LOW is displayed in the operator panel LCD. After Toner Low displays, the printer will print about 100 more pages then display Toner Empty and stop printing. Printing will resume after a new toner cartridge has been installed.

REPLACING THE TONER CARTRIDGE

WARNING

- > **Never expose a toner cartridge to an open flame. It can cause an explosion and you can be burned.**
- > **Be sure to switch off and unplug the machine before accessing the interior of a machine for cleaning, maintenance or fault clearance. Access to a live machine's interior can cause electric shock.**

It is recommended that you clean the LED array at the same time as you change the toner cartridge.

The toner used in this printer is a very fine dry powder contained in the toner cartridge.

Have a sheet of paper handy so that you have somewhere to place the used cartridge while you install the new one.

Dispose of the old cartridge responsibly, inside the pack that the new one came in. Follow any regulations, recommendations, etc., which may be in force concerning waste recycling.

If you do spill any toner powder, lightly brush it off. If this is not enough, use a cool, damp cloth to remove any residue. *Do not use hot water, and never use solvents of any kind. They will make stains permanent.*

WARNING!

If you inhale any toner or get it in your eyes, drink a little water or bathe your eyes liberally in cold water. Seek medical attention immediately.

1. Switch off the printer and allow the fuser to cool for about 10 minutes before opening the top cover.

WARNING!

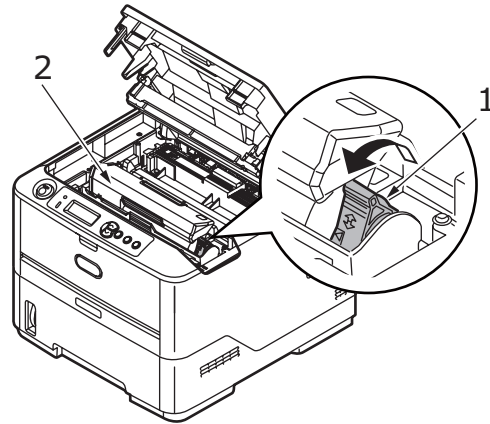
If the printer has been powered on, the fuser may be hot. This area is clearly labelled. Do not touch.

2. Press the top cover release button and open the printer's top cover fully.

NOTE

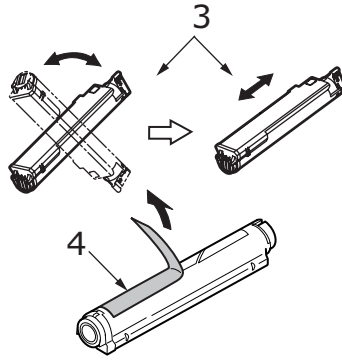
The B430dn model has been illustrated below. The principles are the same for all models of this printer.

3. Pull the colored lever (1) on the right side of the toner cartridge towards the front of the printer to close the cartridge then remove the used toner cartridge (2).



4. Clean the top of the ID unit with a clean, lint free cloth.
5. Put the cartridge down gently onto a piece of paper to prevent toner from marking your furniture.
6. Remove the new cartridge from its box but leave its wrapping material in place for the moment.

7. Gently shake the cartridge (3) from end to end several times to loosen and distribute the toner evenly inside the cartridge.



8. Remove the wrapping material and peel off the adhesive tape from the underside of the cartridge (4).
9. Holding the cartridge by its top center with the colored lever to the right (5), lower it into the printer over the image drum unit from which the old cartridge was removed.
10. Insert the left end of the cartridge into the image drum unit first. Align it under the tabs (6), and push it against the shiny pins in the drum unit. Then lower the right end of the cartridge down into the image drum unit (7).

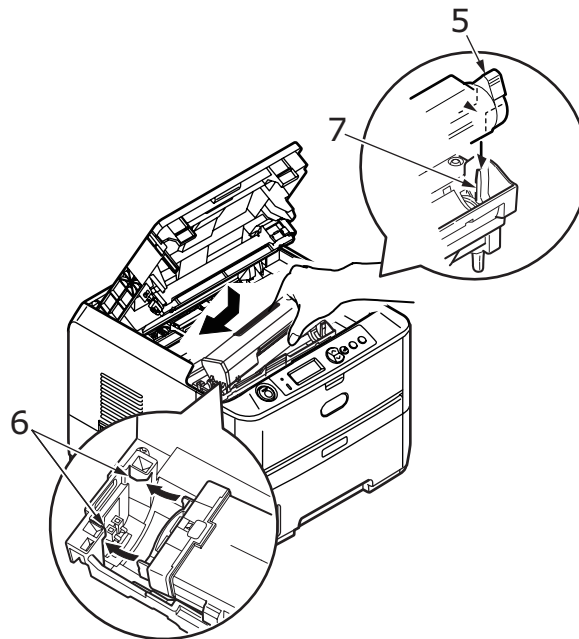


IMAGE DRUM LIFE

The life of an image drum depends on a number of factors, including temperature and humidity, the type of paper used, and the number of pages per job.

The image drum should last approximately 25,000 pages continuous printing. This number is approximate because different numbers of pages are printed each time and the environmental conditions and the paper type used may vary.

WHEN TO REPLACE THE IMAGE DRUM

When the drum reaches 90% of its life, a **CHANGE DRUM** message is displayed in the operator panel LCD. Change the image drum when the print becomes faint or begins to deteriorate.

REPLACING THE IMAGE DRUM.

WARNING

- > **Never expose the image drum to an open flame. It can cause an explosion and you can be burned.**
- > **Be sure to switch off and unplug the machine before accessing the interior of a machine for cleaning, maintenance or fault clearance. Access to a live machine's interior can cause electric shock.**

NOTE

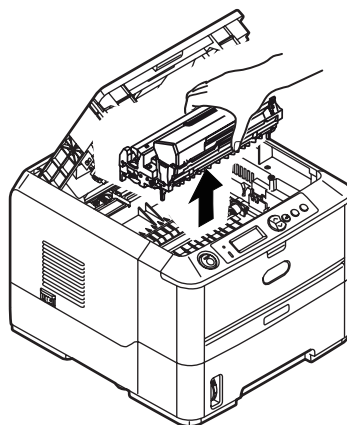
- > *It is recommended that you change the toner cartridge and clean the LED array at the same time as you change the image drum.*
- > *The B430dn model has been illustrated below. The principles are the same for all the models of this printer.*

1. Press the cover release and open the printer's top cover fully.

WARNING!

If the printer has been powered on, the fuser may be hot. This area is clearly labelled. Do not touch.

2. Holding it by its top centre, remove the used image drum and toner cartridge, out of the printer.



GENERATING A CLEANING PAGE

If the printed page shows signs of fading, streaking or erratic marks, the problem may be cleared by generating a drum cleaning page as follows.

B410D AND B410DN

Using the Printer Menu Setup Tool

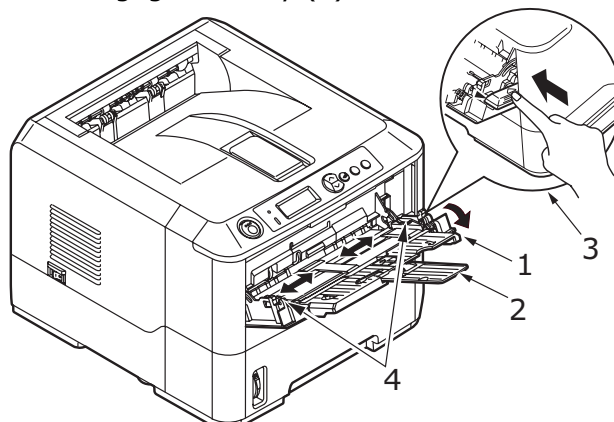
1. Start the Printer Menu Setup Tool for the printer.
2. Click **Maintenance Menu**.
3. Select **Cleaning Page Print** and click **Execute**.
4. Open the Manual Feed Tray and insert a sheet of Letter/A4 plain paper between the paper guides, then click **OK**.
5. The printer grips the paper and prints a cleaning page.
6. If subsequent printing appears faded or uneven, try replacing the toner cartridge.






Using the Online button


1. Press the **Online** button to take the printer OFF LINE.
2. Open the Manual Feed Tray and insert a sheet of Letter/A4 plain paper between the paper guides, for loading paper [See "Multi purpose tray and manual feed tray" on page 32.](#)
3. Press and hold down the **Online** button for at least seven seconds.
4. The printer grips the paper and prints a cleaning page.
5. Return the printer ONLINE by pressing the **Online** button.
6. If subsequent printing appears faded or uneven, try replacing the toner cartridge.

B420DN, B430DN

1. Pull down the Multi Purpose Tray (1), fold out the paper supports (2), and adjust the paper guides to the width of the paper (4).
2. Insert a sheet of Letter/A4 plain paper between the paper guides and push the colored set button to engage the tray (3).



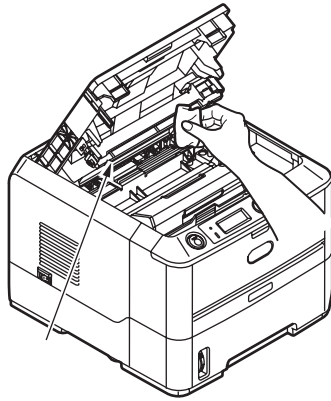
3. Press the **Menu**  or  button repeatedly until MAINTENANCE MENU is displayed, then press the  button.
4. Press the  or  button until CLEANING PRINT is displayed.

5. Press the  button.
6. The printer grips the paper and prints a cleaning page. The printer should now be ON LINE.
7. If subsequent printing appears faded or uneven, try replacing the toner cartridge.

CLEANING THE LED ARRAY

Clean the LED array whenever a new toner cartridge is installed or if there are faded vertical areas or light printing down a page.

Wipe the LED array gently with a soft tissue.



TROUBLESHOOTING

STATUS AND ERROR MESSAGES

Your printer has been designed to give you helpful status feedback not only during normal operation but also if a printing problem occurs so that you can take appropriate corrective action.

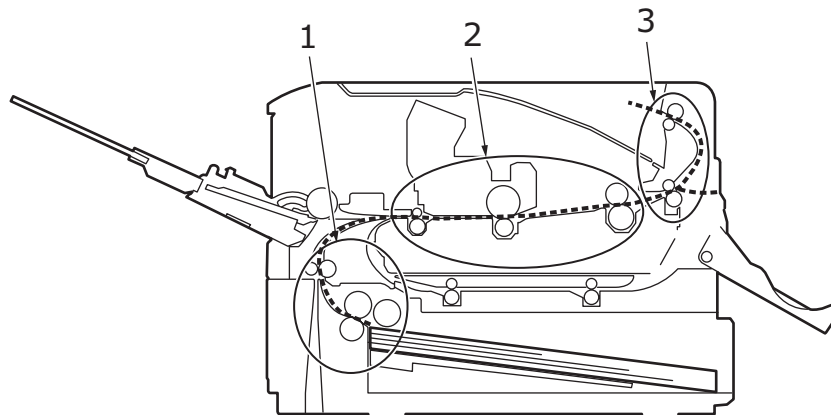
The LCD on the printer operator panel provides the self-explanatory status and error messages in your chosen language. Error messages are accompanied by the Ready indicator being extinguished.

PAPER JAMS

Provided that you follow the recommendations in this guide on use of print media, and you keep the media in good condition prior to use, your printer should give years of reliable service. However, paper jams occasionally do occur, and this section explains how to clear them quickly and simply.

Jams can occur due to paper misfeeding from a paper tray or at any point on the paper path through the printer. When a jam occurs, the printer immediately stops, and the operator panel informs you of the event. If printing multiple pages (or copies), do not assume that having cleared an obvious sheet that others will not also be stopped somewhere along the path. These must also be removed in order to clear the jam fully and restore normal operation.

The printer may experience a paper jam in one of three areas.



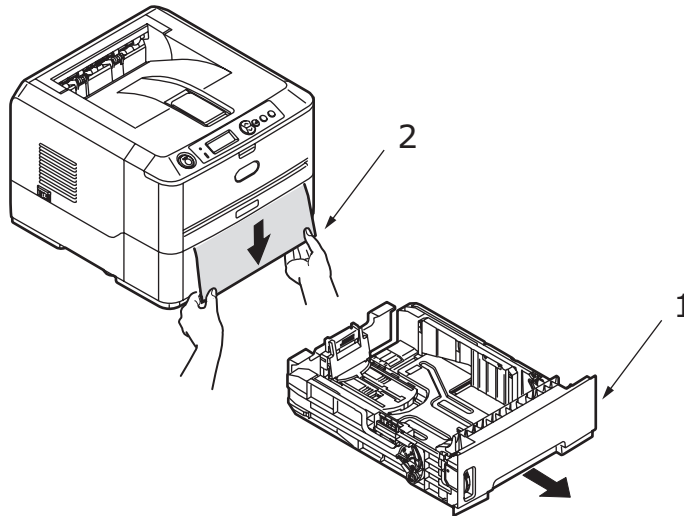
- 1. INPUT JAM** - paper has failed to leave the selected feed tray and enter the internal paper path of the printer. A typical message indicates a paper jam and identifies the tray to check.
- 2. FEED JAM** - paper has entered the printer but failed to reach the exit. A typical message indicates a paper jam and advises you to open the top cover for access.
- 3. EXIT JAM** - paper has reached the exit but has failed to exit completely from the printer. A typical message indicates an exit jam and advises you to open the top cover for access.

INPUT JAM

NOTE

The B430dn model has been illustrated below. The principles are the same for all models of this printer.

1. Remove the paper tray from the printer (1).
2. Remove any crumpled or folded paper.
3. Remove any paper from the underside of the printer (2).



4. Replace the paper tray.

After successful removal of any damaged or misfed paper, the printer should continue printing.

FEED JAM OR EXIT JAM

1. Remove the tray and clear any misfed sheets as given above.
2. Press the cover release and open the printer's top cover.

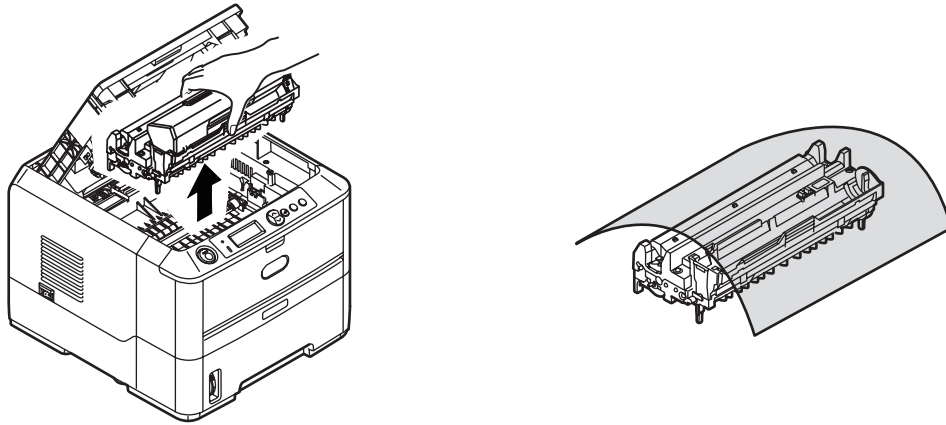
WARNING!

If the printer has been powered on, the fuser area will be hot. This area is clearly marked. Do not touch it.

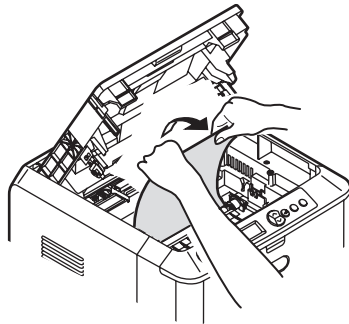
CAUTION!

Never expose the image drum unit to light for more than 5 minutes. Never expose the image drum unit to direct sunlight. Always hold the image drum unit by the ends or from the top. Never touch the surface of the green drum inside the image drum unit.

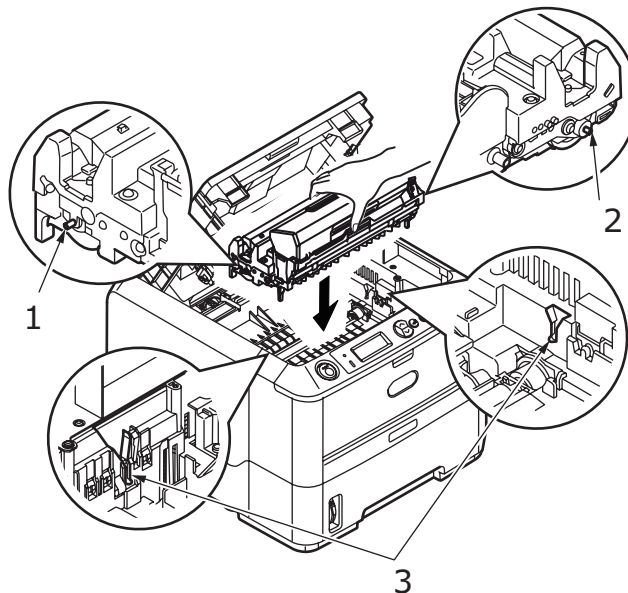
3. Carefully lift out the image drum, complete with the toner cartridge. Be careful not to touch or scratch the green drum surface.



4. Remove any jammed sheets from the paper path.

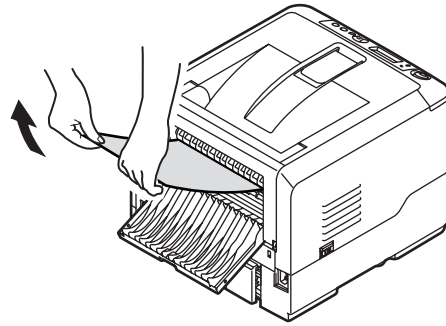


5. Re-install the image drum complete with toner cartridge, ensuring that the pegs (1 & 2) correctly locate into the slots on each side of the printer (3).



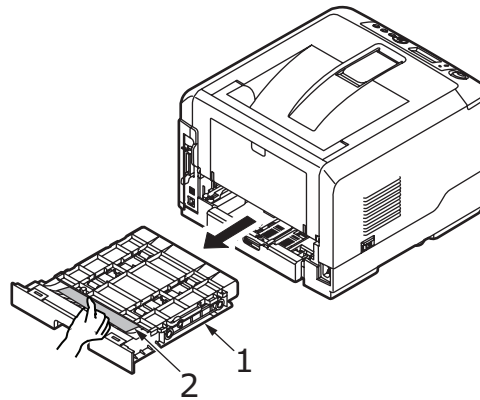
6. Lower the top cover but do not press down to latch it closed yet. This will protect the drum from excessive exposure to room lighting, while you check the remaining area for jammed sheets.
7. Open the rear cover and check for paper in the rear path.

- > Pull out any paper found in this area.

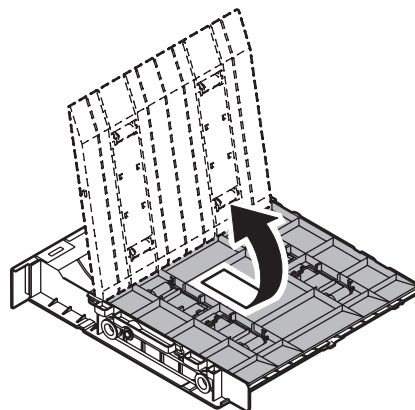


- > If the paper is low down in this area and difficult to remove, it is probably still gripped by the fuser. In this case, raise the top cover, reach around and press down on the fuser pressure release lever.
- > If you are not using the rear cover, close it once the paper is removed from this area.

8. Remove the Duplex unit (1) and check for any paper in this area. Remove any paper and replace the duplex unit.

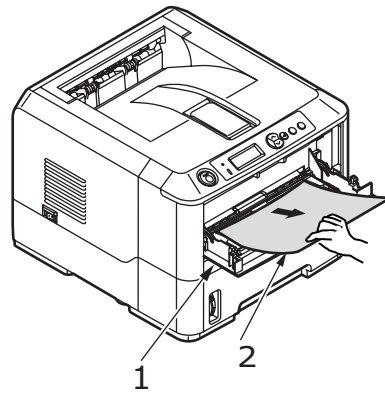


- > If the paper is difficult to remove, push the cover in the arrow direction, raise it and remove the paper.



9. Open the Multi Purpose Tray (1) (Manual Feed Tray for B410d and B410dn).

- > Remove any paper that you find (2), and then close the tray.



10. Close the top cover and press down to latch it closed.
11. The printer will warm up and commence printing when ready. The page lost through the jam will normally be reprinted.

NOTE

If the edge of the jammed paper protrudes (or can be seen) from the exit, reinstall the image drum, close the top cover and switch the printer on. Remove the jammed paper from the exit when the exit roller begins rotating after a few seconds after switching on. However, if the jammed paper cannot be removed, contact a service representative.

PRINT QUALITY PROBLEMS

Before consulting a service representative regarding a print quality problem, check the table below to see if there is a solution, or something you might have overlooked.

SYMPTOM	PROBLEM	SOLUTION
Blank sheets printed.	Image drum cartridge not properly installed.	Reinstall image drum cartridge.
	Empty or missing toner cartridge.	Install new toner cartridge.
Entire page prints faintly.	Empty toner cartridge. Pages get fainter when toner is used up.	Install new toner cartridge.
	LED array is dirty.	Clean LED array.
Page has grey background.	Static electricity, generally from dry environments, causes toner to stick to background.	Change paper to a smoother laser bond or use a humidifier.
Page prints all black.	Hardware problem.	Contact service.
Page has repetitive marks.	Damaged image drum cartridge causes repetitive marks every 1.6 inches (4.06 cm) due to surface nicks and scratches.	Generate a cleaning page, repetitive marks may be temporary.
Oblong area of faint print appears on each page.	Drop out caused by using paper exposed to high humidity.	Change paper stocks, check paper storage environment or use a dehumidifier; check toner level.

SYMPTOM	PROBLEM	SOLUTION
Vertical white streaking or faint areas on page.	Toner is low and does not distribute properly, or the drum is worn out.	Replace toner cartridge. Check drum and replace the drum, if necessary. Contact service.
	LED array is dirty.	Clean LED array.
Vertical black lines.	Hardware problem.	Contact service.
Fuzzy print.	LED array is dirty.	Clean LED array.
Distorted print.	Paper path, lamp assembly, or fusing unit problem.	Generate cleaning page. Contact service.
Faded print.	Toner cartridge is not correctly installed.	Install toner cartridge correctly.
	Toner low.	Replace toner cartridge.
Smeared or blotched print.	Dirty rollers; toner dropped inside printer or image drum problem.	Replace image drum and toner. Contact service.
Printed page is light/ blurred.	Is toner low?	Replace toner cartridge.
	Is paper meant for laser printers?	Use recommended paper.
	LED array is dirty.	Clean LED array.
Bold characters and dark lines are smeared.	Toner is low.	Install new toner cartridge.
Print is darker than usual.	Darkness setting is too high.	Change darkness setting.
Pages curl excessively.	Printing on wrong side of paper.	Turn paper over in tray. (Note arrow on paper package). Install paper print side down in tray.
	Moisture in paper. Improper storage.	Avoid storing paper in areas of excessive temperature and humidity. Store paper in protective wrapping.
	High humidity.	Recommended operating humidity: 20-80%.

PAPER FEED PROBLEMS

SYMPTOM	PROBLEM	SOLUTION
Paper Jams occur frequently. Multiple sheets of paper are fed at the same time.	The printer is tilted.	Place the paper on a stable and flat surface.
	Paper is too thick or too thin. Paper is moist, folded, creased or warped.	Use paper suitable for the printer. Avoid storing paper in areas of excessive temperature and humidity. Store paper in protective wrapping
	Paper is not aligned.	Align the paper edges to the paper guides.
	Only one sheet of paper is loaded in the Paper tray or Manual Feed/Multi Purpose tray.	Load several sheets of paper.
	Sheets of paper is added to the existing paper stock in the Paper tray or Manual Feed/ Multi Purpose tray.	Remove existing sheets of paper from the tray and add the new sheets to them, ensuring alignment and then load the tray.
	Postcards, envelopes, label sheets or transparencies are loaded in the Paper tray.	You cannot print using the Paper tray. Load postcards, envelopes, label sheets or transparencies in the Manual Feed tray or Multi Purpose tray.
	Postcards or envelopes are placed in the wrong orientation.	Check and load in the correct orientation.
Paper is not fed into the printer.	Improper setting is selected for Paper Source in the printer driver.	Select the correct paper source from the Source drop down menu.
	The printer menu setting is incorrect.	Set the size of the paper in the Setup Menu of the printer.
Printing does not resume after removing jammed paper.	Printing does not resume only by removing paper jam.	Open and close the top cover.

SOFTWARE PROBLEMS

Your software (operating environment, applications and printer drivers) controls the printing process. Make sure you have selected the right driver for use with your printer. See your software documentation for more information.

SYMPTOM	PROBLEM	SOLUTION
Printing is garbled.	Incorrect driver is installed.	Install an appropriate driver.
Printer's output is below rated speed.	Much of the printing delays will be caused by your application. Sometimes purely text documents will print slowly depending on the selected fonts and how they are transferred to the printer.	For maximum speed, use text in your document and use a printer resident font.
Size of top margin increases with each page printed.	Creeping text. Number of lines per page in software is not equal to number of lines per page of printer.	Many software packages assume 66 lines per page, but your printer's default is 64. Adjust software accordingly, or set LINES Per PAGE in the soft control panel to equal lines per page in your software.

HARDWARE PROBLEMS

SYMPTOM	PROBLEM	SOLUTION
Graphic image prints partly on one page, partly on the next.	Insufficient printer memory for this image at this resolution.	Change the resolution, reduce the image size, or install more memory in your printer.
When you try to print nothing happens, but printer indicates it is ready to receive data.	Configuration error.	Check cable connection. If more than one printer is available, make sure your printer has been selected.
Garbage prints.	Incorrect cable configuration. Also, see Software Problems.	Check cable configuration, continuity, and length.
Printer freezes or displays error message when computer is rebooted.	Booting the computer while the printer is on can cause a communications error.	Turn printer off before rebooting computer.
Odors.	Gases are given off by forms or adhesives passing through the hot fusing unit.	Make sure the forms you use can withstand heating, and provide adequate ventilation.
Printer is on but must warm up before a job is printed.	Power Save mode is set on to conserve energy. The fuser must heat up before you can begin printing the next job.	To eliminate warm up delay, change Power Save setting.

INSTALLING OPTIONS

The following options are available to extend the performance of your printer:

- > 128 and 256MB RAM DIMM: to extend the main memory of your printer and speed up the processing of large files
- > Second paper tray: to increase your printer's paper handling capacity by 530 sheets (75g/m²)

INSTALLING OPTIONS ORDER NUMBERS

128MB RAM DIMM	44029501
256MB RAM DIMM	44029508
Second Paper Tray (Tan)	43990701
Second Paper Tray (Black)	43990704

INSTALLATION PROCEDURE

To install any of the above options, follow the detailed installation sheet that accompanies the option.

SPECIFICATIONS

GENERAL

PRINTER MODEL	MODEL NUMBER
B410d	N22110A
B410dn	N22113A
B420dn	N22114A
B430dn	N22115A

A summary of the basic characteristics of your printer appears in the table below:

ITEM	SPECIFICATION
Dimensions	B410d, B410dn and B420dn: 369mm x 395mm x 268mm (W x D x H) B420dn, B430dn: 369mm x 395mm x 268mm (W x D x H)
Weight	B410/B420/B430: 10.3 kg approximately (without second tray)
Printing method	Electro-photographic printing using LEDs as light source
Print colour	Monochrome
Print speed	Letter: 30 pages per minute maximum A4: 28 pages per minute maximum
Resolution	B410d, B410dn and B420dn: 2400 x 600 dots per inch B430dn: 1200 x 1200 dots per inch
Operating platform	Windows 2000/XP/XP server 2003 x 64 bit edition/Vista/Vista x 64 bit edition Mac OS X PowerPC (10.2.8 - 10.5) / OS X Intel (10.4.4 - 10.5) Unix/Linux
Emulations	B410d, B410dn and B420dn, B420dn: PCL5e, PCLXL, Epson FX, IBM ProPrinter B430dn: PCL5e, PCLXL, Epson FX, IBM ProPrinter, PS3
Interfaces	Parallel port in compliance with IEEE 1284-1994 standard USB 2.0 High speed B410dn, B420dn and B430dn: 100BASE-TX/10Base-T
Processor	297 MHz PowerPC
Memory	B410d, B410dn and B420dn: 32MB expandible to 288MB B430dn: 64MB expandible to 320MB
Printer/Fuser life	200,000 pages or 5 years
Toner life	Starter: 1,500 pages Replacement: (ISO/IEC19752) B410d/B410dn/B420dn/B430dn: 3,500 pages B420dn, B430dn: up to 7,000 pages B420dn up to 10,000 pages

ITEM	SPECIFICATION
Image drum life	Simplex printing 25,000 pages (continuous) 20,000 pages (3 pages per job) 12,000 pages (1 page per job) Duplex printing 15,000 pages (continuous) 13,000 pages (3 pages per job) 10,000 pages (1 page per job)
Paper sizes	A4, A5, A6, B5, Letter, Legal 13, Legal 14, Executive, Custom, C5, C6, Com-9, Com-10, DL, Monarch, Statement
Paper feed	B420dn, B430dn: Automatic feeding via paper trays (including optional second tray and Multi Purpose Tray) B410d, B410dn and B420dn: Automatic feeding via paper trays (including optional second tray) and Manual feeding of single sheets
Paper feed capacity at 75g/m ²	B410d, B410dn and B430dn: Tray 1: 250 sheets B420dn: Tray 1 530 sheets Optional Tray 2: 530 sheets B420dn, B430dn: Multi Purpose Tray: 50 sheets B410d and B410dn: Manual Feed Tray: Single sheet
Paper output	Face up, face down depending on paper size, type and thickness
Power consumption	At 22°C Typical: 450W Idle: 70W Power save mode: 7W
Paper output capacity at 75g/m ²	Face down: 150 sheets
Monthly duty cycle	B410d and B410dn: 50,000 pages B420dn, B430dn: 70,000 pages
Consumables	Toner cartridge, Image drum
Power cable	Approximately 1.8 m max. length
Noise level	Operation: 53 dB(A) Standby mode: 30dB(A) Power saving mode: Background level
Environmental conditions	Operation: 10 - 32°C, 20% - 80% RH, Storage: 10-43°C, 10% - 90% RH When the printer is stored, it should be in its original packaging, with no moisture formation.

PAPER AND TRAY INFORMATION

Feed and ejection methods vary depending on the type, size and thickness of medium used. Use the chart below and the notes/symbols/terms on the following page for initial guidance. (Minor variations to settings may be necessary depending on user setup and environmental conditions).

			Feed Tray				Ejection Method	
Paper type	Size	Weight	T1	T2	MPT	MF	FU	FD
Plain paper	A4 Letter	L, ML, M, MH	0	0	0	0	0	0
	A5 B5 Executive	L, ML, M, MH, H	0	0	0	0	0	0
	Legal (13) Legal (14)	H	0	0	0	0	0	0
	Statement	L, ML, M, MH, H	0	X	0	0	0	0
	A6	L, ML, M, MH, H	X	X	0	0	0	0
	Custom	L, ML, M, MH	△	△	0	0	0	0
	W: 90 – 216 L: 148 – 356	H	△	△	0	0	0	0
Postcards		-	X	X	0	0	0	X
Envelopes	Com-9 Com-10 DL C5 C6 Monarch Custom W: 90 - 216 L: 148 - 356	-	X	X	0	0	0	X
Labels	A4 Letter	-	X	X	0	0	0	X
Transpa- rencies	A4 Letter	-	X	X	0	0	0	X

			Duplex Printing							
			Auto				Manual			
Paper type	Size	Weight	T 1	T 2	MPT	M F	T1	T2	MPT	MF
Plain paper	A4 Letter	L, ML, M, MH	0	0	0	X	0	0	0	0
	Legal (13) Legal (14)	H	X	X	X	X	0	0	0	0
	A5 B5 Executive	L, ML, M, MH, H	X	X	X	X	0	0	0	0
	Statement	L, ML, M, MH, H	X	X	X	X	0	X	0	0
	A6	L, ML, M, MH, H	X	X	X	X	X	X	0	0
	Custom	L, ML, M, MH	△	△	△	X	△	△	0	0
	W: 90 - 216 L: 148 - 356	H	X	X	X	X	△	△	0	0
Postcards		-	X	X	X	X	X	X	X	X
Envelopes	Com-9 Com-10 DL C5 C6 Monarch Custom W: 90 - 216 L: 148 - 356	-	X	X	X	X	X	X	X	X
Labels	A4 Letter	-	X	X	X	X	X	X	X	X
Transparencies	A4 Letter	-	X	X	X	X	X	X	X	X

NOTES/SYMBOLS/TERMS

Notes:

1. When an optional second paper tray is used, the original tray is referred to as Tray 1 and the optional tray as Tray 2.
2. It is possible to use custom paper sizes with the PS emulation driver.
3. Tray 1 can accommodate paper with width of 100 to 216mm and length of 210 to 316mm.
4. Tray 2 can accommodate paper with width of 148 to 216mm and length of 210 to 316mm.
5. When printing using Auto Duplex, paper will not be ejected face up.
6. The printing speed is reduced when you set the paper size of A5, A6, Postcards, Envelopes as Heavy.
7. Label mode must be selected in the printer driver, if you want to print on heavy media which exceeds 120g/m².

SYMBOL/ TERM	MEANING
T1	Paper Tray 1
T2	Paper Tray 2 (optional)
MPT	Multi Purpose Tray (B420, B430)
MF	Manual Feed Tray (B410)
FU	Face Up printing from the rear of the printer
FD	Face Down printing from the top of the printer
W, L	Width, Length in mm
L	Light paper weight: 64g/m ²
ML	Medium Light paper weight: 64 - 74g/m ²
M	Medium paper weight: 75 - 87g/m ²
MH	Medium Heavy paper weight: 88 - 104g/m ²
H	Heavy paper weight: 105 - 120g/m ²
0	Can be used
X	Cannot be used
△	Can be used depending on the size.

SERVICE AND SUPPORT

Available 24 hours a day, 7 days a week

- > Visit our multilingual web site: www.okiprintingsolutions.com
- > Call 1-800-654-3282

Free Manuals Download Website

<http://myh66.com>

<http://usermanuals.us>

<http://www.somanuals.com>

<http://www.4manuals.cc>

<http://www.manual-lib.com>

<http://www.404manual.com>

<http://www.luxmanual.com>

<http://aubethermostatmanual.com>

Golf course search by state

<http://golfingnear.com>

Email search by domain

<http://emailbydomain.com>

Auto manuals search

<http://auto.somanuals.com>

TV manuals search

<http://tv.somanuals.com>